

Commercial 6 Ton Package Cooling Unit

DCC0720103BHXAAB
DCC0720203BHXXAB
DCC0720254BHXBAC
DCC072XXX3BHxDAB
DCC072XXX3BHXXAB
DCC072XXX3BXXXAC
DCC072XXX4BFXXAC
DCC072XXX4BVXEAC
DCC072XXX4BXXXAD



This manual is to be used by qualified technicians only.

This manual replaces RP-D1100D.

© 2015 - 2018 **DAIKIN COMPANY, L.P.** ♦ 5151 San Felipe St., Suite 500 ♦ Houston, TX 77056

Important Information

Index

Functional Parts List	3
Illustration and Parts	4 - 15

Views shown are for parts illustrations only, not servicing procedures

Text Codes:

AR - As Required

NA - Not Available

NS - Not Shown

00000000 - See Note

QTY - Quantity Example (QTY 3) (If Quantity not shown, Quantity = 1)

M - Model Example (M1) (If M Code not shown, then part is used on all Models)

Expanded Model Nomenclature:

Example M1 - Model#1 M2 - Model#2 M3 - Model#3

Daikin Company, L.P. is not responsible for personal injury or property damage resulting from improper service. Review all service information before beginning repairs.

Warranty service must be performed by an authorized technician, using authorized factory parts. If service is required after the warranty expires, Daikin Company, L.P. also recommends contacting an authorized technician and using authorized factory parts.

Daikin Company, L.P. reserves the right to discontinue, or change at any time, specifications or designs without notice or without incurring obligations.

For assistance within the U.S.A. contact:

Equipment Support
Daikin North America, LLC
19001 Kermier Road
Waller, Texas 77484
855-770-5678-Telephone
713-863-2382-Facsimile

For assistance outside the U.S.A. contact:

International Division
Daikin North America, LLC
19001 Kermier Road
Waller, Texas 77484
713-861-2500-Telephone
713-863-2382-Facsimile

Functional Parts

Part

No: Description:

B1368056	BELT DRIVE BLOWER WHEEL
B3240007	BELT DRIVE MOTOR 1.5 HP
CAP100000370LA	CAPACITOR 10/370V
ZP61KCETF5130	COMPRESSOR 61500, 200/230/60/3 (M1, M2, M3, M7, M8)
ZP61KCETFD130	COMPRESSOR 61500, 460/60/3 (M4, M5, M6, M9)
0131M00430	COND MOTOR 1/3 HP, 1 SP, 6 PL (M1, M2, M3, M7, M8)
CONT3P025024V	CONTACTOR 25 AMP, 3P, 24V (M4, M5, M6, M9)
CONT3P030024V	CONTACTOR 30 AMP, 3P, 24V (M1, M2, M3, M7, M8)
0130M00074	CUT-OUT SWITCH, HIGH PRESSURE
0130M00087	CUT-OUT SWITCH, LOW PRESSURE
0130L00112	Duct Temp Sensor (M4)
PCBFM103	ELECTRONIC BLOWER TIME DELAY
0164L00010	FAN BELT, NOTCHED
B1086765	FAN BLADE TYPE 3
0131M00774	MOTOR, 1/3 HP, OD (M4, M5, M6, M9)
0130L00108	OUTDOOR AIR TEMP SENSOR-OE250-G (M4)
PCBCG100	PCB,CONTROL,HP,GAS (M4)
0130M00038	TERMINAL BOARD (M1, M2, M3, M5, M6, M7, M8, M9)
0130M00138	TRANSFORMER 208/230, 24V (M1, M2, M3, M7, M8)
0130M00145	TRANSFORMER 480V to 24V, 75VA (M4, M5, M6, M9)

Expanded Model Nomenclature

M1 - DCC072XXX3BHxDAB
M2 - DCC072XXX3BHXXAB
M3 - DCC072XXX3BXXXAC
M4 - DCC072XXX4BFXXAC
M5 - DCC072XXX4BVXEAC
M6 - DCC072XXX4BXXXAD
M7 - DCC0720103BHXAAB
M8 - DCC0720203BHXXAB
M9 - DCC0720254BHXBAC

Top Panel and Tubing Assy

IMAGE 1

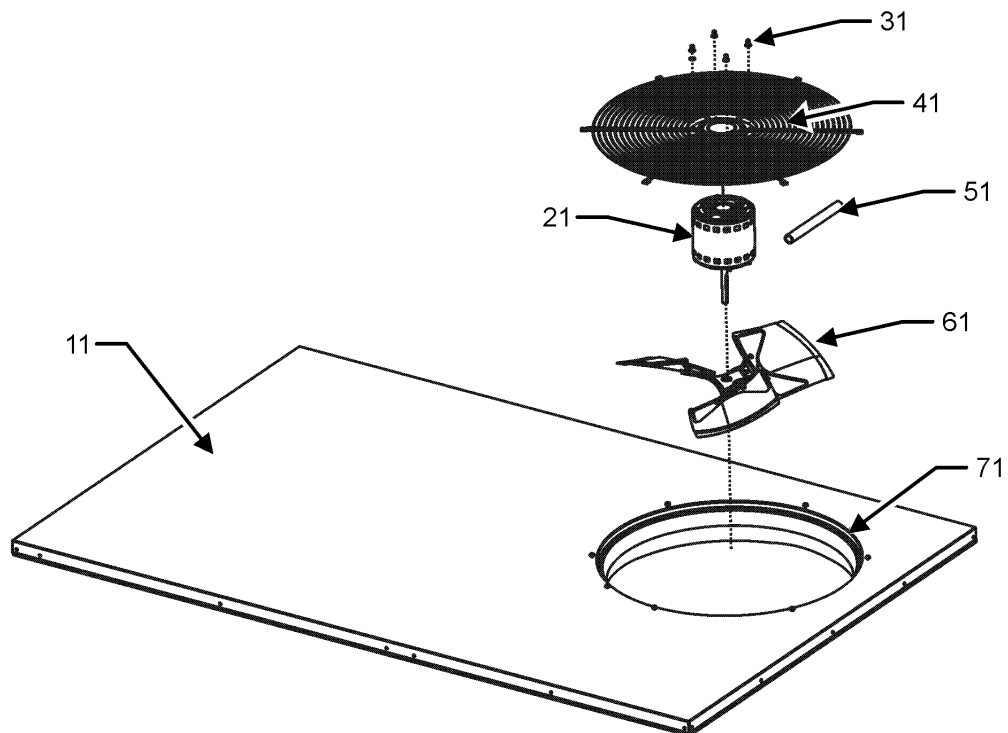
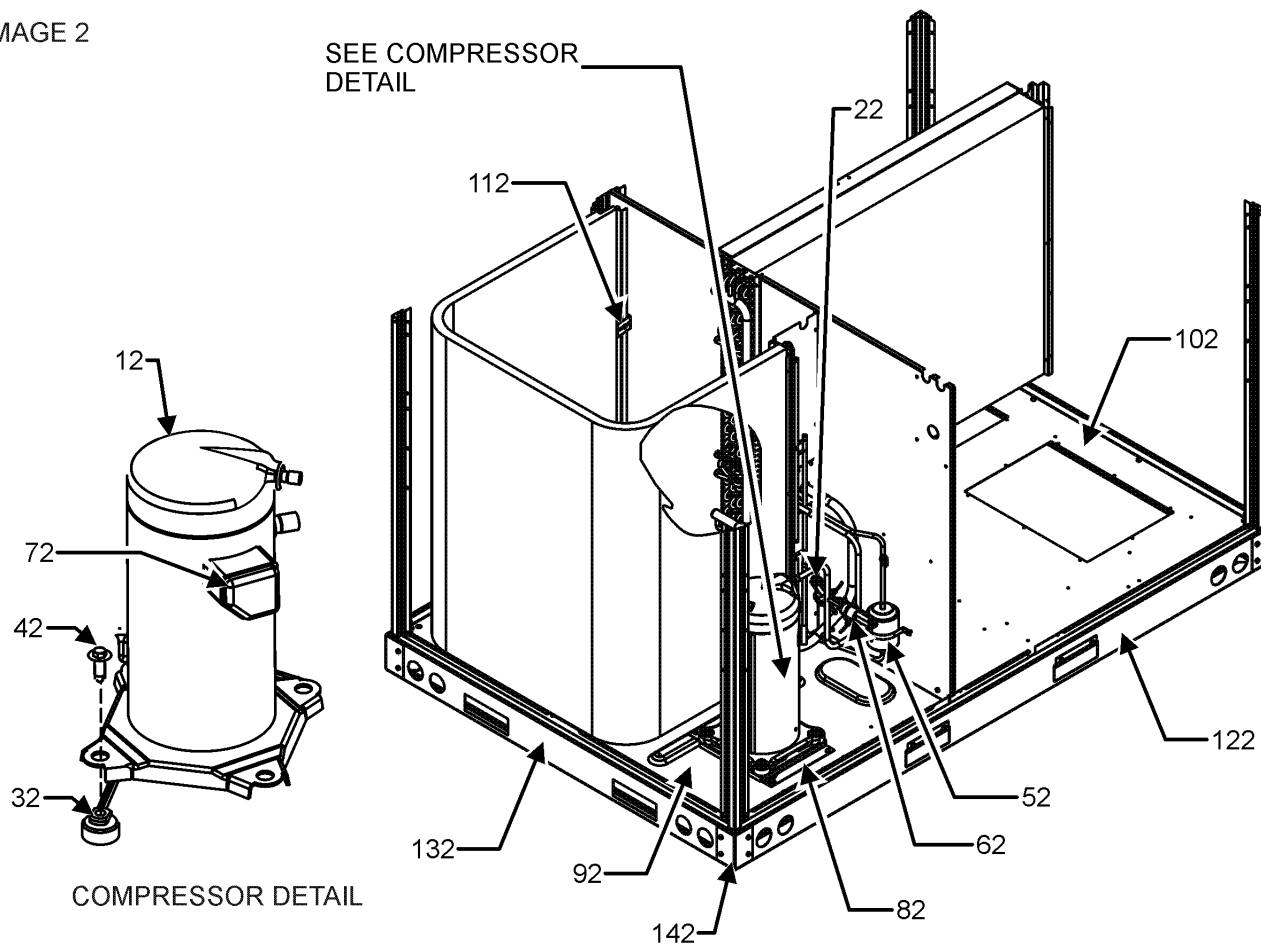


IMAGE 2



Top Panel and Tubing Assy

Ref. Part No: No:	Description:	Ref. Part No: No:	Description:
-------------------	--------------	-------------------	--------------

Image 1:

11	0121L00235NG	TOP PANEL
21	0131M00430	COND MOTOR 1/3 HP, 1 SP, 6 PL (M1, M2, M3, M7, M8)
21	0131M00774	MOTOR, 1/3 HP, OD (M4, M5, M6, M9)
31	0163M00006P	ACORN NUT 5/16 HEX BLACK (QTY 4)
41	0152G00003	FAN GRILLE
51	17788000083F	PVC CONDUIT 8.25"
61	B1086765	FAN BLADE TYPE 3
71	0161L00000	VENTURI RING 22"
NS	0163M00004	SCREW #10X3/4", BLACK (QTY 3)
NS	0163M00005P	WASHER, BLACK (.50 OD .218ID) (QTY 4)

Image 2:

12	ZP61KCETF5130	COMPRESSOR 61500, 200/230/60/3 (M1, M2, M3, M7, M8)
12	ZP61KCETFD130	COMPRESSOR 61500, 460/60/3 (M4, M5, M6, M9)
22	0130M00087	CUT-OUT SWITCH, LOW PRESSURE
32	B1339533	COMPRESSOR GROMMET (QTY 4)
42	M0221641	TF SHOULDER SCREW (QTY 4)
52	20485201	BI-FLOW FILTER DRIER
62	0130M00074	CUT-OUT SWITCH, HIGH PRESSURE
72	0159L00065	COMPRESSOR SCROLL HARNESS
82	0121L00310	COMPRESSOR MOUNTING PLATE
92	0121L01990	BASE PAN, OUTDOOR
102	0121L02619	BASE PAN-INDOOR
112	0121L00936	BRACKET-HAIRPIN END
122	0121L00244RF	SIDE RAIL (QTY 2)
132	0121L00245	END RAIL (QTY 2)
142	0121G00301	RAIL CORNER BRACKET (QTY 4)
NS	B1373315	ACCESS FITTING (QTY 2)
NS	0141L00003X	FORK BOARD (QTY 2)
NS	0121L00055	FORK BOARD BRACKET (QTY 4)

Expanded Model Nomenclature

- M1 - DCC072XXX3BHxDAB
- M2 - DCC072XXX3BHxXAB
- M3 - DCC072XXX3BxxxAC
- M4 - DCC072XXX4BFxxAC
- M5 - DCC072XXX4BVxExAC
- M6 - DCC072XXX4BxxxAD
- M7 - DCC0720103BHxAAB
- M8 - DCC0720203BHxXAB
- M9 - DCC0720254BHxBAC

Cabinet Assembly

IMAGE 1

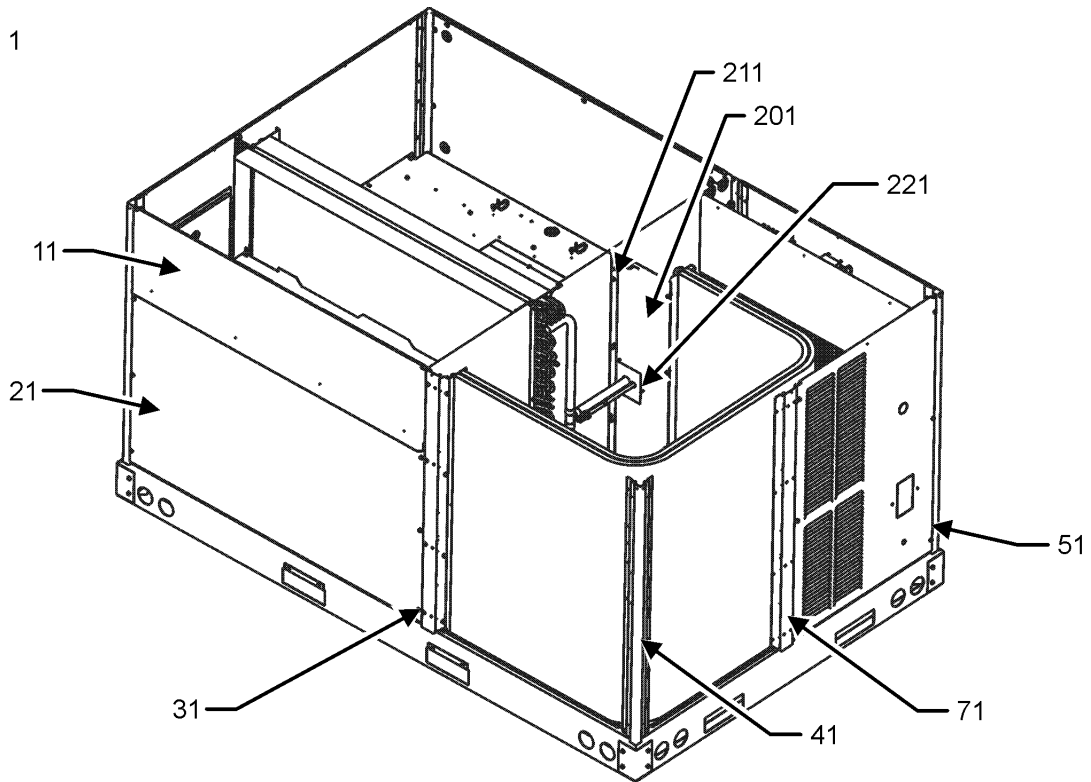
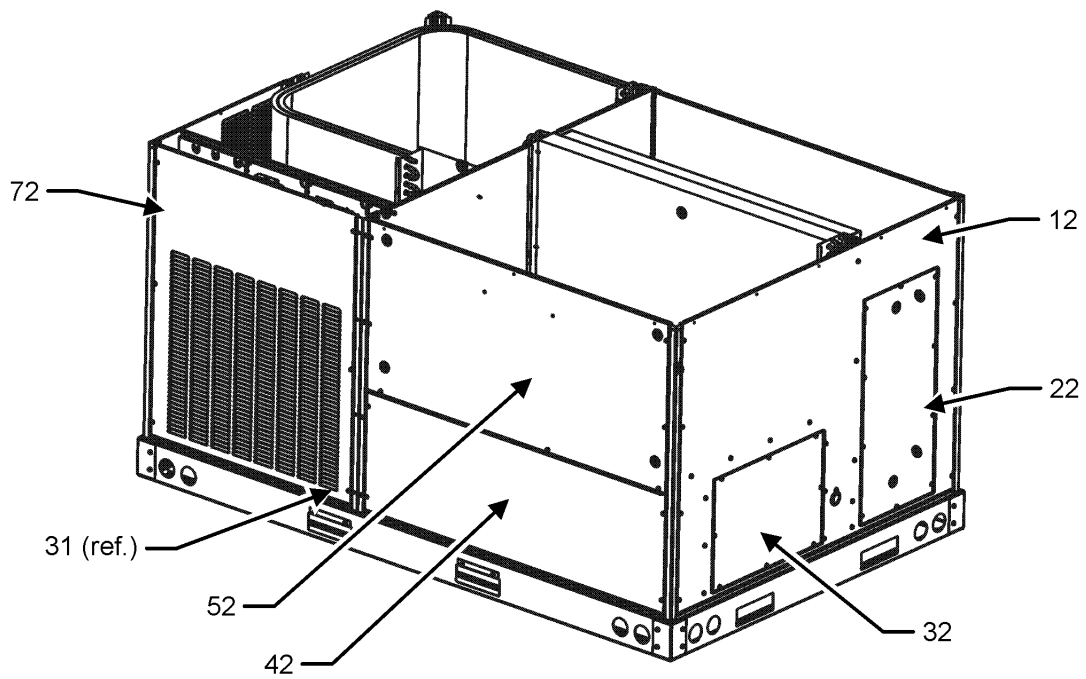


IMAGE 2



Cabinet Assembly

Ref. Part No: No:	Description:	Ref. Part No: No:	Description:
-------------------	--------------	-------------------	--------------

Image 1:

11	0270L00363NG	FILTER DOOR
21	0121L00976NG	ECONOMIZER DOOR (M1, M2, M3, M5, M6, M7, M8, M9)
31	0121L00343RFNG	POST-SIDE SUPPORT (QTY 2)
41	0121L00344RFNG	CORNER POST (QTY 4)
51	0121L00354NG	LOUVERED COMPRESSOR PANEL (M3, M4, M5, M6)
51	0121L00840NG	LOUVERED COMPRESSOR PANEL (M1, M2, M7, M8, M9)
71	0121L01169RFNG	POST-SIDE SUPPORT
201	0121L00889	BLOCKOFF-CONDENSER
211	0121L00349	COND MOUNTING ANGLE
221	0121L00939	CONDENSER BLOCKOFF PLATE
NS	0121L01309	ECONOMIZER COVER (M4)
NS	0164L00009	GASKET-RUBBER, CPOST (QTY 3)
NS	0164L00011	GASKET-RUBBER, SIDE POST (QTY 2)

Image 2:

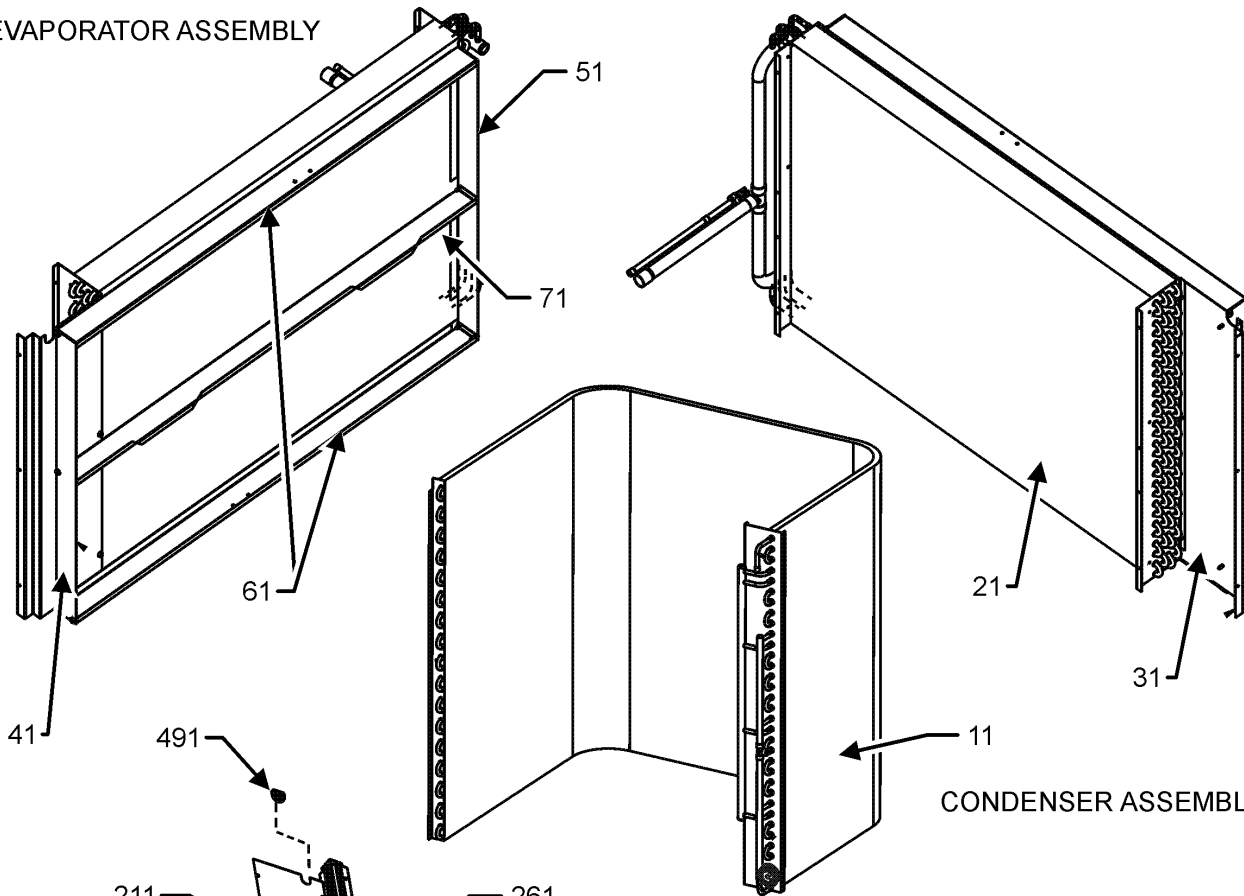
12	0121L00342NG	DUCT PANEL
22	0121L00023NG	RETURN DUCT COVER
32	0121L00024NG	SUPPLY DUCT COVER
42	0121L01176NG	ELECTRIC HEAT DOOR
52	0121L01172NG	BLOWER DOOR
72	0121L01170NG	LOUVERED CONTROL PANEL

Expanded Model Nomenclature

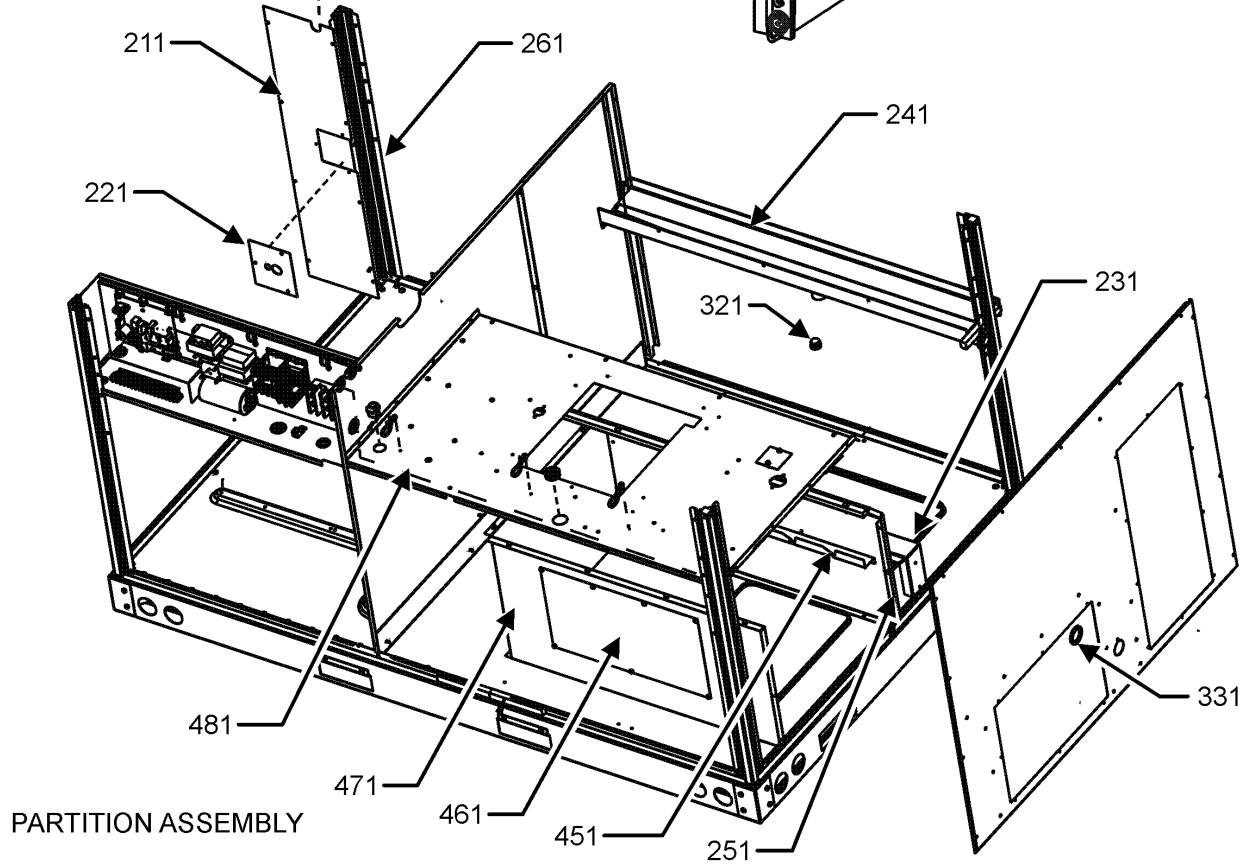
M1 - DCC072XXX3BHxDAB
M2 - DCC072XXX3BHXXAB
M3 - DCC072XXX3BXXXAC
M4 - DCC072XXX4BFXXAC
M5 - DCC072XXX4BVXEAC
M6 - DCC072XXX4BXXXAD
M7 - DCC0720103BHXAAB
M8 - DCC0720203BHXXAB
M9 - DCC0720254BHXBAC

Partition, Evaporator & Condenser Assy

EVAPORATOR ASSEMBLY



CONDENSER ASSEMBLY



PARTITION ASSEMBLY

Partition, Evaporator & Condenser Assy

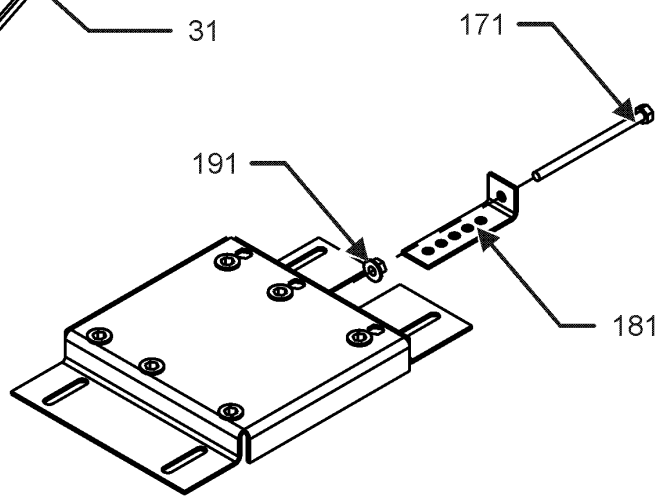
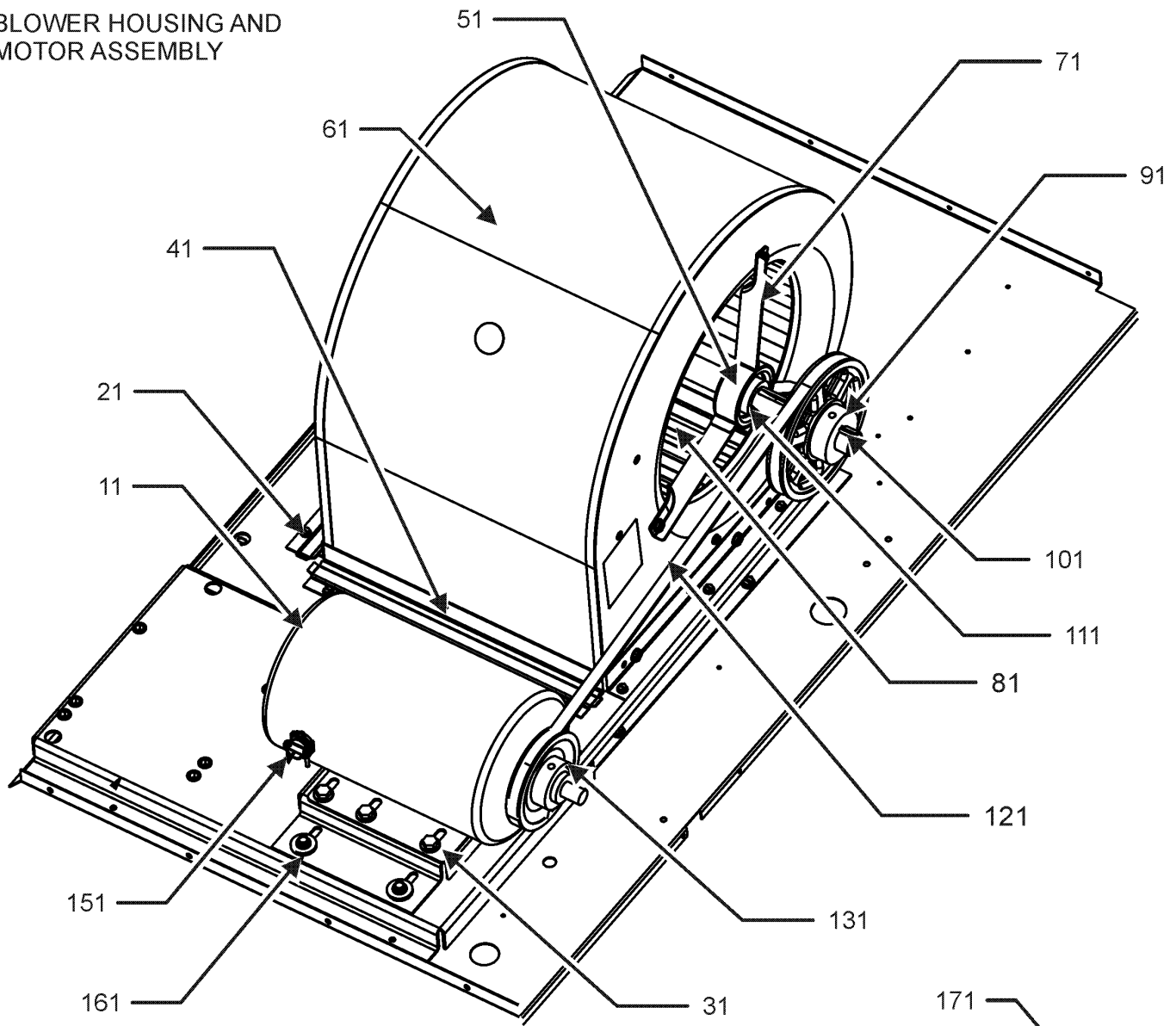
Ref. Part No: No:	Description:	Ref. Part No: No:	Description:
<i>Image 1:</i>			
11	0201L00145		TUBING ASSY, COND COIL
21	0202L00032		TUBING ASSY, EVAP COIL
31	0121L00345		BLOCKOFF-EVAPORATOR (M2, M3, M4, M5, M6, M7, M8, M9)
31	0121L00398		BLOCKOFF-EVAPORATOR (M1)
41	0121L00358		FILTER ANGLE-VERTICAL (HAIRPIN SIDE)
51	0121L00357		FILTER ANGLE-VERTICAL (RETURN SIDE)
61	0121L00932		FILTER ANGLE-HORIZONTAL (QTY 2)
71	0121L01255		ANGLE-FILTER CENTER
211	0121L00889		BLOCKOFF-CONDENSER
221	0121L00939		CONDENSER BLOCKOFF PLATE
231	0121L00238		DRAIN PAN SUPPORT
241	0161L00005		DRAIN PAN
251	0121L02123		DECK SIDE CHANNEL
261	0121L00349		COND MOUNTING ANGLE
321	0163L00071		DRAIN PLUG
331	0154L00009		DRAIN PAN GASKET
451	0121L00288		ELECTRIC HEAT RETAINER
461	0121L00144		ELECTRIC HEAT COVER
471	0121L00256		ELECTRIC HEAT PANEL
481	0121L01575		DECK-BLOWER
491	A4568804		GROMMET-D (QTY 4)
NS	0160L00174		AIR FILTER 16 X 20 X 2 (QTY 4)
NS	0121L00321		SMOKE DETECTOR COVER

Expanded Model Nomenclature

M1 - DCC072XXX3BHXDAB
M2 - DCC072XXX3BHXXAB
M3 - DCC072XXX3BXXXAC
M4 - DCC072XXX4BFXXAC
M5 - DCC072XXX4BVXEAC
M6 - DCC072XXX4BXXXAD
M7 - DCC0720103BHXAAB
M8 - DCC0720203BHXXAB
M9 - DCC0720254BHXBAC

Belt Drive Assembly

BLOWER HOUSING AND
MOTOR ASSEMBLY



MOTOR MOUNTING PLATE ASSEMBLY

Belt Drive Assembly

Ref. Part No: No:	Description:	Ref. Part No: No:	Description:
-------------------	--------------	-------------------	--------------

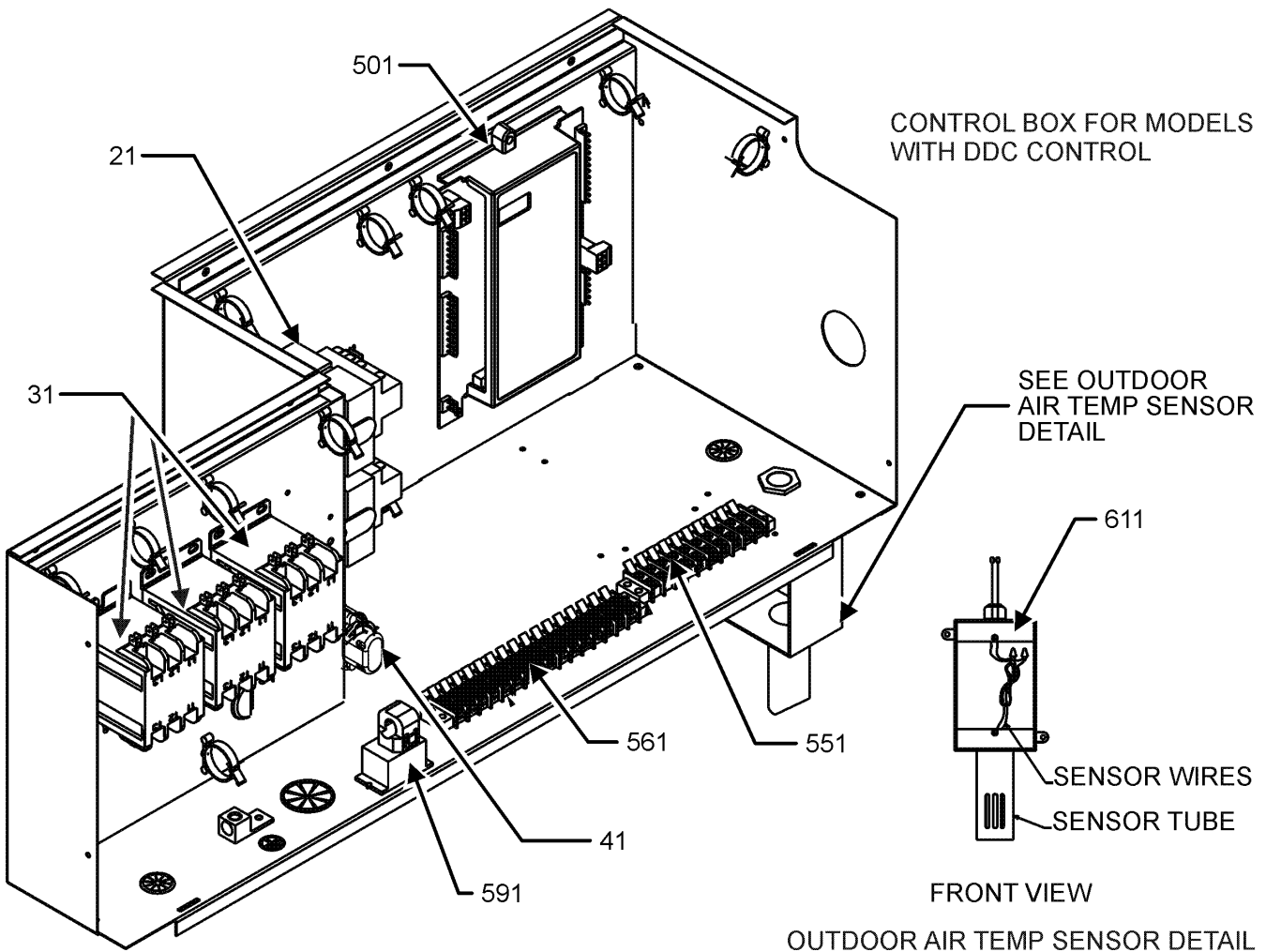
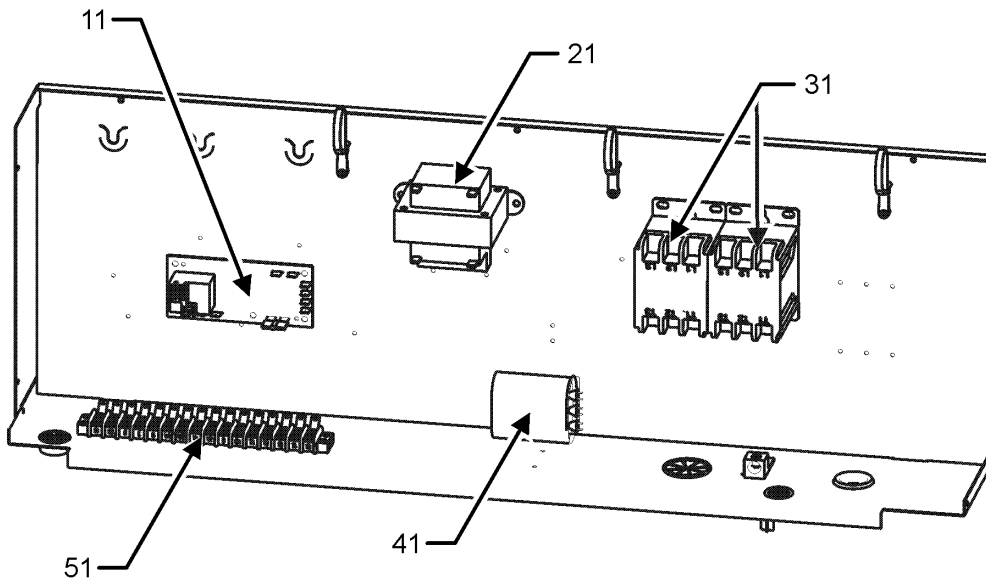
Image 1:

11	B3240007	BELT DRIVE MOTOR 1.5 HP
21	0121L00297	BLOWER SIDE ANGLE (QTY 3)
31	0121L01619	MOTOR BASE
41	0121L00281	BLOWER MOUNTING ANGLE
51	0163L00005	BELT DRIVE BLOWER SHAFT
61	2539302F	BLOWER HOUSING 11 X 10
71	B3201300	MOUNTING BRACKET BEARING (QTY 2)
81	B1368056	BELT DRIVE BLOWER WHEEL
91	0163L00136	SHEAVE, FIXED AK59H
101	B1398604	STEEL KEY (000158812) 2.0"
111	B1399500	BALL BEARING 1.00" (QTY 2)
121	0164L00010	FAN BELT, NOTCHED
131	B2120014	VARIABLE PITCH SHEAVE 1VL44 X 7/8"
151	B1393726	ELECT. CONNECTING BUSHING
161	B1393738	BOLT 1/4-20 X 3/4" (QTY 8)
171	0163M00045	BOLT 1/4-20 X 4"
181	3225000F	BELT TIGHTENER ANGLE
191	B1393023	NUT / LOCK .25-20
NS	1864703F	BLOWER CUT-OFF
NS	B1398603	STEEL KEY (000158812) 4.5"

Expanded Model Nomenclature

M1 - DCC072XXX3BHxDAB
M2 - DCC072XXX3BHXXAB
M3 - DCC072XXX3BXXXAC
M4 - DCC072XXX4BFXXAC
M5 - DCC072XXX4BVXEAC
M6 - DCC072XXX4BXXXAD
M7 - DCC0720103BHXAAB
M8 - DCC0720203BHXXAB
M9 - DCC0720254BHXBAC

Control Panel Assembly



Control Panel Assembly

Ref. Part No:	No:	Description:	Ref. Part No:	No:	Description:
<i>Image 1:</i>					
11	PCBFM103	ELECTRONIC BLOWER TIME DELAY			
21	0130M00138	TRANSFORMER 208/230, 24V (M1, M2, M3, M7, M8)			
21	0130M00145	TRANSFORMER 480V to 24V, 75VA (M4, M5, M6, M9)			
31	CONT3P025024V	CONTACTOR 25 AMP, 3P, 24V (M4, M5, M6, M9)			
31	CONT3P030024V	CONTACTOR 30 AMP, 3P, 24V (M1, M2, M3, M7, M8)			
41	CAP100000370LA	CAPACITOR 10/370V			
51	0130M00038	TERMINAL BOARD (M1, M2, M3, M5, M6, M7, M8, M9)			
501	PCBCG100	PCB,CONTROL,HP,GAS (M4)			
551	0130M00274	TERMINAL BOARD (M4)			
561	0130M00275	TERMINAL BOARD (M4)			
591	0259L00368	CURRENT SWITCH WITH TERMS (M4)			
611	0130L00108	OUTDOOR AIR TEMP SENSOR-OE250-G (M4)			
NS	B821700	CAPACITOR BOOT (M4)			
NS	20520901	CAPACITOR STRAP			
NS	0130L00112	Duct Temp Sensor (M4)			
NS	0259L00178	HARNESS, ECONOMIZER			
NS	0259L00178	HARNESS, ECONOMIZER			
NS	0130L00107	ROOM SENSOR (M4)			
NS	0259L00090	WIRE HARNESS-SMOKE DETECTOR (M5)			
NS	0259L00054	WIRING HARNESS (M4)			
NS	0259L00054	WIRING HARNESS (M4)			
NS	0259L00061	WIRING HARNESS			
NS	0259L00061	WIRING HARNESS			
NS	0259L00064	WIRING HARNESS			
NS	0259L00064	WIRING HARNESS			
NS	0259L00094	WIRING HARNESS			
NS	0259L00094	WIRING HARNESS			

Expanded Model Nomenclature

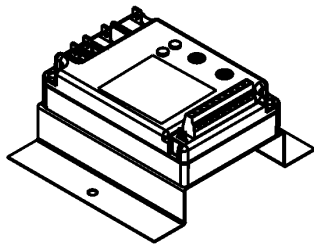
- M1 - DCC072XXX3BHxDAB
- M2 - DCC072XXX3BHXXAB
- M3 - DCC072XXX3BXXXAC
- M4 - DCC072XXX4BFXXAC
- M5 - DCC072XXX4BVXEAC
- M6 - DCC072XXX4BXXXAD
- M7 - DCC0720103BHXAAB
- M8 - DCC0720203BHXXAB
- M9 - DCC0720254BHXBAC

Accessory Parts List

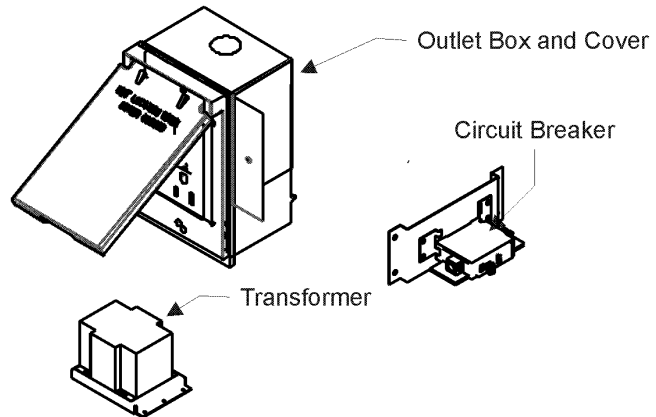
ACCESSORY PARTS LIST

NOTE: NOT ALL OPTIONS AVAILABLE FOR ALL PRODUCTS

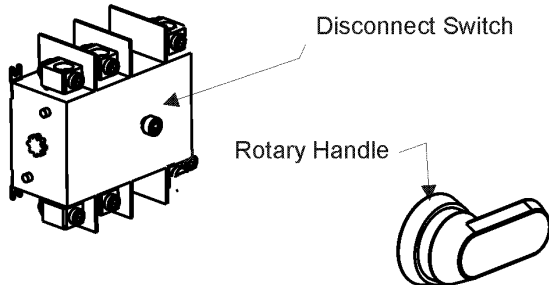
1 LOW AMBIENT KITS



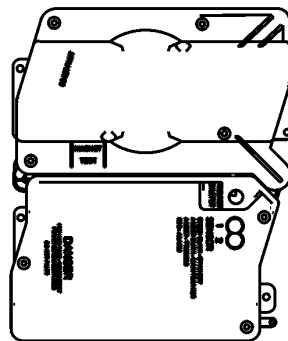
2 GFCI CONVENIENCE OUTLET



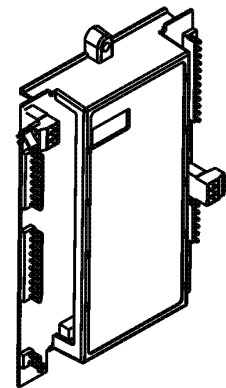
3 DISCONNECT MODULE (NON-FUSED)



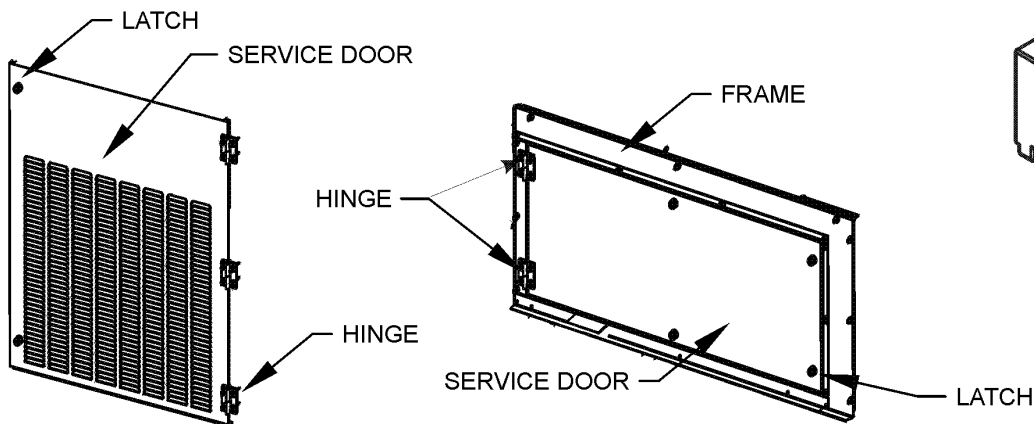
4 SMOKE DETECTORS



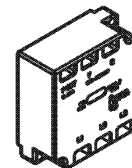
5 DDC CONTROL



6 HINGED DOOR ASSEMBLIES



7 PHASE MONITOR



Accessory Parts List

Ref. Part No: No:	Description:	Ref. Part No: No:	Description:
Image 1:			
NS EHK3-10	10 KW 203-230/3 ELECTRIC EHAT (M7)		
NS EHK3-20	20 KW 208-230/3 ELECTRIC HEAT (M8)		
NS EHK4-25	25 KW 460/3 ELECTRIC HEAT (M9)		
NS DDNECNJ3672C	3-6 TON DFLOW ECONOMIZER (M5)		
NS 10366D09C	3-6 TON DFLOW ECONOMIZER, DDC (M4)		
NS 0121L00316	BRACKET-CONV OUTLET MOUNT (M7, M9)		
NS 0121L00835	BRACKET-DISCONNECT SWITCH (M1, M2, M7, M8, M9)		
NS 0121L01934	BRACKET-SMOKE DETECTOR (M5)		
NS 0130M00065	CIRCUIT BREAKER, CONVENIENCE OUTLET (M9)		
NS 0121L00837NG	DISCONNECT COVER (M1, M2, M7, M8, M9)		
NS 0130L00012	GANG BOX-GFCI OUTLET (M7, M9)		
NS 0130L00039	HANDLE, ROTARY (M1, M2, M7, M8, M9)		
NS 0161G00012	POWER OUTLET BOX (M7, M9)		
NS 0130L00103	RECEPTACLE-GFCI OUTLET (M7, M9)		
NS 0130L00042	SHAFT, CUT (M7, M9)		
NS 0130L00049	SHAFT, DISCONNECT (M1, M2, M7, M8, M9)		
NS D4120	SMOKE DETECTOR, PHOTO 4WIRE (M5)		
NS 0130L00027	SWITCH-DISCONNECT 100A (M1, M2, M8)		
NS 0130L00046	SWITCH-DISCONNECT 60A (M7, M9)		
NS 0130M00061	TRANSFORMER, CONVENIENCE OUTLET (M9)		

Expanded Model Nomenclature

M1 - DCC072XXX3BHxDAB
M2 - DCC072XXX3BHXXAB
M3 - DCC072XXX3BXXXAC
M4 - DCC072XXX4BFXXAC
M5 - DCC072XXX4BVXEAC
M6 - DCC072XXX4BXXXAD
M7 - DCC0720103BHXAAB
M8 - DCC0720203BHXXAB
M9 - DCC0720254BHXBAC