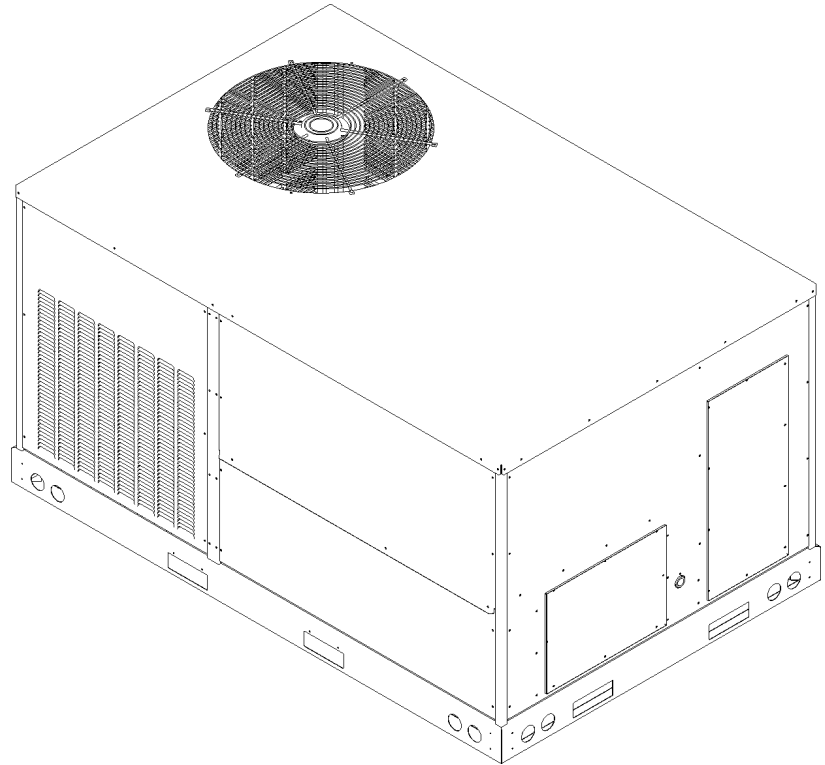


Commercial 6 Ton Package Cooling Unit

DCC0720103BHXAAA
DCC0720104BHXJAB
DCC0720104BXXAAB
DCC0720153BHXAAB
DCC0720153BHXXAB
DCC0720153BHXZAA
DCC0720153BJXFAA
DCC0720154BHXAAC
DCC0720253BHXNAA
DCC0720254BJXUAB
DCC0720254BXXDAA
DCC072XXX3BAXXAB
DCC072XXX3BHDBAB
DCC072XXX3BHXXAA
DCC072XXX3BJXLAA
DCC072XXX3BXDXAA
DCC072XXX3BXXXAA
DCC072XXX3BXXXAB
DCC072XXX4BAXKAC
DCC072XXX4BHXXAB
DCC072XXX4BXXBAB
DCC072XXX4BXXXAA
DCC072XXX4BXXXAB
DCC072XXX4BXXXAC
DCC072XXX7BAXXAB
DCC072XXX7BXXXAA
DCC072XXX7BXXXAB



This manual is to be used by qualified technicians only.

This manual replaces RP-D1020H.

Important Information

Index

Functional Parts List	3
Illustration and Parts	4 - 15

Views shown are for parts illustrations only, not servicing procedures

Text Codes:

AR - As Required

NA - Not Available

NS - Not Shown

00000000 - See Note

QTY - Quantity Example (QTY 3) (If Quantity not shown, Quantity = 1)

M - Model Example (M1) (If M Code not shown, then part is used on all Models)

Expanded Model Nomenclature:

Example M1 - Model#1 M2 - Model#2 M3 - Model#3

Daikin Company, L.P. is not responsible for personal injury or property damage resulting from improper service. Review all service information before beginning repairs.

Warranty service must be performed by an authorized technician, using authorized factory parts. If service is required after the warranty expires, Daikin Company, L.P. also recommends contacting an authorized technician and using authorized factory parts.

Daikin Company, L.P. reserves the right to discontinue, or change at any time, specifications or designs without notice or without incurring obligations.

For assistance within the U.S.A. contact:

Homeowner Support
Daikin North America, LLC
19001 Kermier Road
Waller, Texas 77484
855-770-5678-Telephone
713-863-2382-Facsimile

For assistance outside the U.S.A. contact:

International Division
Daikin North America, LLC
19001 Kermier Road
Waller, Texas 77484
713-861-2500-Telephone
713-863-2382-Facsimile

Functional Parts

Part No: **Description:**

Part No:	Description:	Expanded Model Nomenclature
B1368056	BELT DRIVE BLOWER WHEEL	M1 - DCC072XXX3BAXXAB
B3240007	BELT DRIVE MOTOR 1.5 HP (M1, M2, M3, M4, M5, M6, M7, M8, M9, M10, M11, M12, M13, M17, M18, M19, M20, M21, M22, M23, M24, M25, M26, M27)	M2 - DCC072XXX3BHDBAB
0131L00004	BELT DRIVE MOTOR 1.5 HP 575V (M14, M15, M16)	M3 - DCC072XXX3BHXXAA
CAP100000370LA	CAPACITOR 10/370V (M1, M2, M3, M4, M5, M6, M7, M8, M9, M10, M12, M13, M17, M18, M19, M20, M21, M22, M23, M24, M25, M26)	M4 - DCC072XXX3BJXLAA
CAP050000370LA	CAPACITOR 5/370V (M11, M15, M27)	M5 - DCC072XXX3BXDXAA
CAP050000440LA	CAPACITOR 5/440V (M14, M16)	M6 - DCC072XXX3BXXXAA
ZP61KCETF5130	COMPRESSOR 61500, 200/230/60/3 (M1, M2, M3, M4, M5, M6, M7, M17, M20, M21, M22, M23, M25)	M7 - DCC072XXX3BXXXAB
ZP61KCETFD130	COMPRESSOR 61500, 460/60/3 (M8, M9, M10, M11, M12, M13, M18, M19, M24, M26, M27)	M8 - DCC072XXX4BAXKAC
ZP61KCETFE130	COMPRESSOR 61500, 575/60/3 (M14, M15, M16)	M9 - DCC072XXX4BHXXAB
0131M00430	COND MOTOR 1/3 HP, 1 SP, 6 PL (M1, M2, M3, M4, M5, M6, M7, M17, M20, M21, M22, M23, M25)	M10 - DCC072XXX4BXXBAB
B13400249	COND MOTOR 1/3 HP, 460V (M11, M27)	M11 - DCC072XXX4BXXXAA
0131M00179	COND MOTOR 1/3 HP, 6 PL, 575V (M15)	M12 - DCC072XXX4BXXXAB
0131M00500	COND MOTOR 1/3 HP, OD, LAK (M14, M16)	M13 - DCC072XXX4BXXXAC
0131M00433	COND MOTOR 460/60 1/3 HP (M8, M9, M10, M12, M13, M18, M19, M24, M26)	M14 - DCC072XXX7BAXXAB
CONT3P025024V	CONTACTOR 25 AMP, 3P, 24V (M8, M9, M10, M11, M12, M13, M14, M15, M16, M18, M19, M24, M26, M27)	M15 - DCC072XXX7BXXXAA
CONT3P030024V	CONTACTOR 30 AMP, 3P, 24V (M1, M2, M3, M4, M5, M6, M7, M17, M20, M21, M22, M23, M25)	M16 - DCC072XXX7BXXXAB
0130M00074	CUT-OUT SWITCH, HIGH PRESSURE	M17 - DCC0720103BHXAAB
0130M00087	CUT-OUT SWITCH, LOW PRESSURE	M18 - DCC0720104BHXXAB
PCBFM103	ELECTRONIC BLOWER TIME DELAY	M19 - DCC0720104BXXAAB
0164L00010	FAN BELT, NOTCHED	M20 - DCC0720153BHXXAA
0150G00004	FAN BLADE (M14, M15, M16)	M21 - DCC0720153BHXXAB
B1086765	FAN BLADE TYPE 3 (M1, M2, M3, M4, M5, M6, M7, M8, M9, M10, M11, M12, M13, M17, M18, M19, M20, M21, M22, M23, M24, M25, M26, M27)	M22 - DCC0720153BHXXAA
0130M00038	TERMINAL BOARD	M23 - DCC0720153BJXFAA
0130M00138	TRANSFORMER 208/230, 24V (M1, M2, M3, M4, M5, M6, M7, M17, M20, M21, M22, M23, M25)	M24 - DCC0720154BHXXAC
0130M00145	TRANSFORMER 480V to 24V, 75VA (M8, M9, M10, M11, M12, M13, M18, M19, M24, M26, M27)	M25 - DCC0720253BHXXAA
0130M00148	TRANSFORMER 575V to 24V, 75VA (M14, M15, M16)	M26 - DCC0720254BJXUAB
		M27 - DCC0720254BXXDAA

Top Panel/Tubing Assy

Image 1

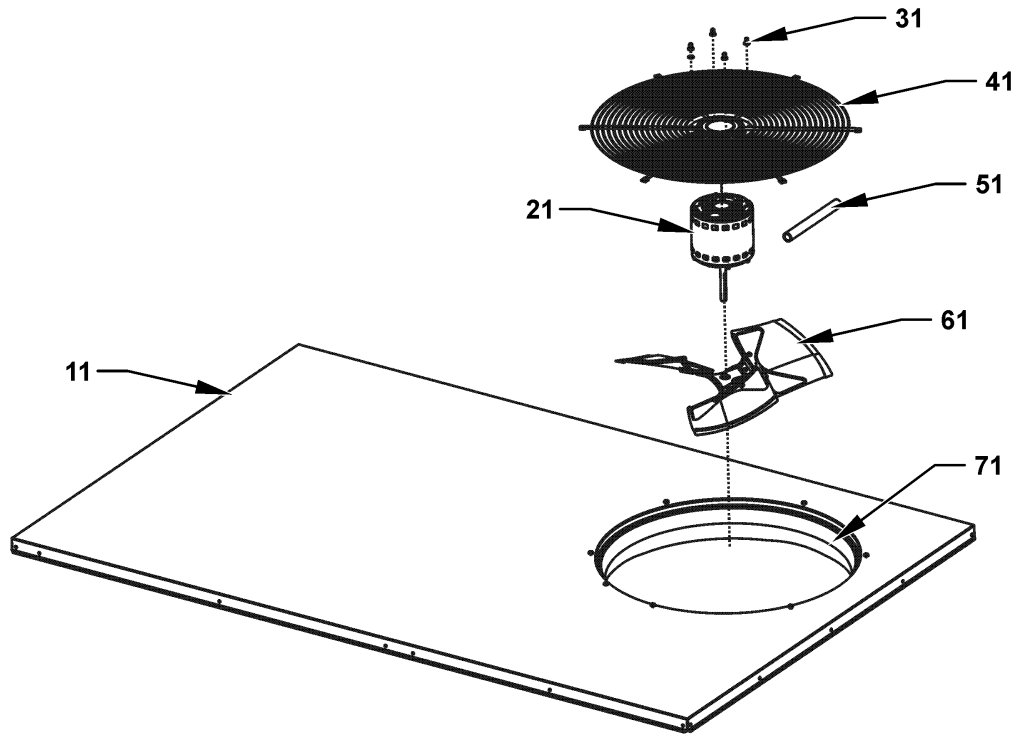
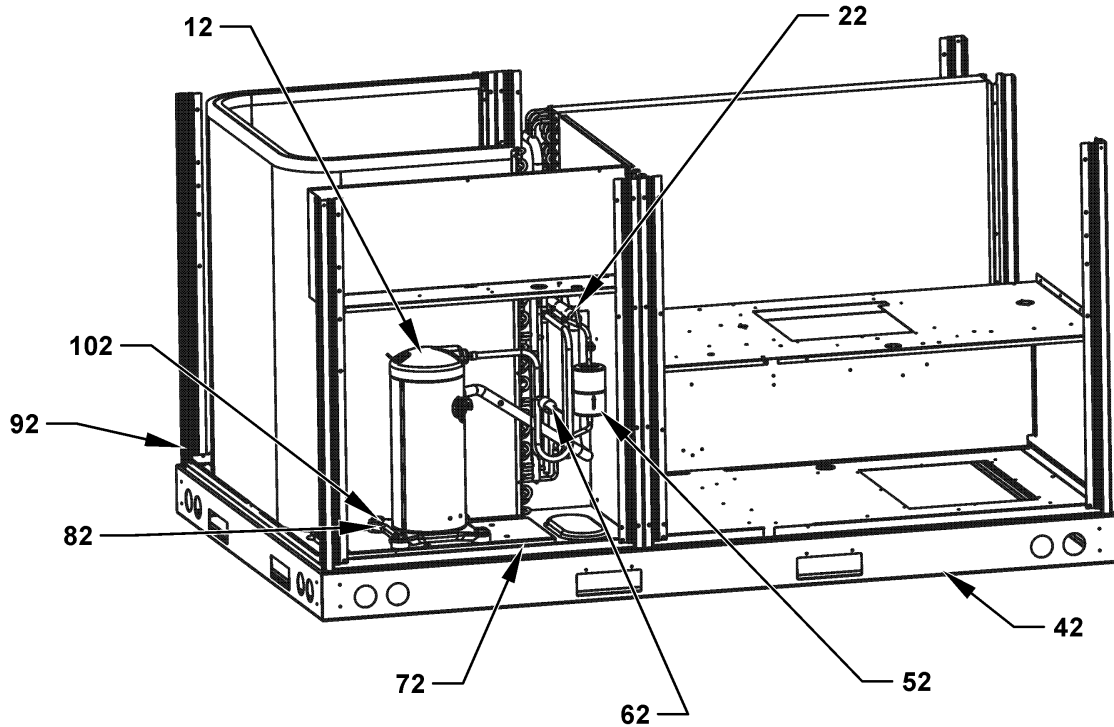


Image 2



Top Panel/Tubing Assy

Ref. Part

No: No: Description:

Ref. Part

No: No: Description:

Image 1:

11	0121L00235NG	TOP PANEL
21	0131M00430	COND MOTOR 1/3 HP, 1 SP, 6 PL (M1, M2, M3, M4, M5, M6, M7, M17, M20, M21, M22, M23, M25)
21	B13400249	COND MOTOR 1/3 HP, 460V (M11, M27)
21	0131M00179	COND MOTOR 1/3 HP, 6 PL, 575V (M15)
21	0131M00500	COND MOTOR 1/3 HP, OD, LAK (M14, M16)
21	0131M00433	COND MOTOR 460/60 1/3 HP (M8, M9, M10, M12, M13, M18, M19, M24, M26)
31	0163M00006P	ACORN NUT 5/16 HEX BLACK (QTY 4)
41	0152G00003	FAN GRILLE
51	17788000083F	PVC CONDUIT 8.25"
61	0150G00004	FAN BLADE (M14, M15, M16)
61	B1086765	FAN BLADE TYPE 3 (M1, M2, M3, M4, M5, M6, M7, M8, M9, M10, M11, M12, M13, M17, M18, M19, M20, M21, M22, M23, M24, M25, M26, M27)
71	0161L00000	VENTURI RING 22"
NS	0163M00004	SCREW #10X3/4", BLACK (QTY 3)
NS	0163M00005P	WASHER, BLACK (.50 OD .218ID) (QTY 4)

Image 2:

12	ZP61KCETF5130	COMPRESSOR 61500, 200/230/60/3 (M1, M2, M3, M4, M5, M6, M7, M17, M20, M21, M22, M23, M25)
12	ZP61KCETFD130	COMPRESSOR 61500, 460/60/3 (M8, M9, M10, M11, M12, M13, M18, M19, M24, M26, M27)
12	ZP61KCETFE130	COMPRESSOR 61500, 575/60/3 (M14, M15, M16)
22	0130M00087	CUT-OUT SWITCH, LOW PRESSURE
42	0121L00244RF	SIDE RAIL (QTY 2)
52	20485201	BI-FLOW FILTER DRIER
62	0130M00074	CUT-OUT SWITCH, HIGH PRESSURE
72	0121L00310	COMPRESSOR MOUNTING PLATE
82	B1339533	COMPRESSOR GROMMET (QTY 4)
92	0121L00245	END RAIL (QTY 2)
102	M0221641	TF SHOULDER SCREW (QTY 4)
NS	0159L00028	COMPRESSOR SCROLL HARNESS

Expanded Model Nomenclature

M1 - DCC072XXX3BAXXAB
M2 - DCC072XXX3BHDBAB
M3 - DCC072XXX3BHXXAA
M4 - DCC072XXX3BJXLAA
M5 - DCC072XXX3BXDXAA
M6 - DCC072XXX3BXXXAA
M7 - DCC072XXX3BXXXAB
M8 - DCC072XXX4BAXKAC
M9 - DCC072XXX4BHXXAB
M10 - DCC072XXX4BXXBAB
M11 - DCC072XXX4BXXXAA
M12 - DCC072XXX4BXXXAB
M13 - DCC072XXX4BXXXAC
M14 - DCC072XXX7BAXXAB
M15 - DCC072XXX7BXXXAA
M16 - DCC072XXX7BXXXAB
M17 - DCC0720103BHXAAA
M18 - DCC0720104BHXJAB
M19 - DCC0720104BXXAAB
M20 - DCC0720153BHXOAA
M21 - DCC0720153BHXXAB
M22 - DCC0720153BHXXAA
M23 - DCC0720153BJXFAA
M24 - DCC0720154BHXAAC
M25 - DCC0720253BHXNAA
M26 - DCC0720254BJXUAB
M27 - DCC0720254BXXDAA

Cabinet Assy

Image 1

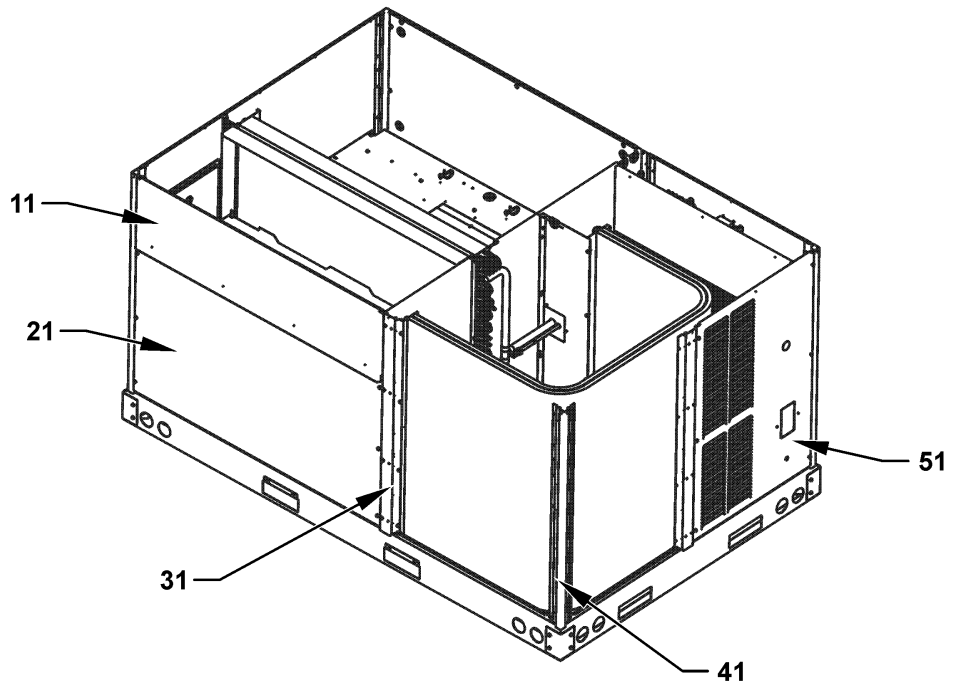
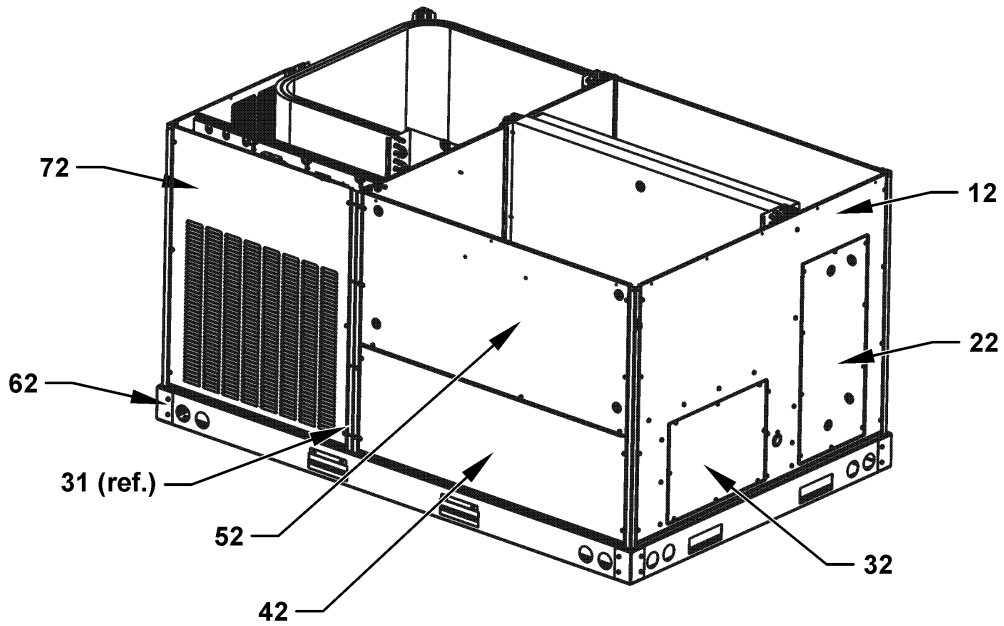


Image 2



Cabinet Assy

Ref. Part No: No:	Description:	Ref. Part No: No:	Description:
Image 1:		Expanded Model Nomenclature	
11	0270L00363NG FILTER DOOR	M1 - DCC072XXX3BAXXAB	
21	0121L00976NG ECONOMIZER DOOR (M2, M3, M5, M6, M7, M9, M10, M11, M12, M13, M15, M16, M17, M18, M19, M20, M21, M22, M24, M25, M27)	M2 - DCC072XXX3BHDBAB	
31	0121L00343RFNG SIDE POST (QTY 2)	M3 - DCC072XXX3BHXXAA	
31	0121L01169RFNG SIDE POST (M1, M7, M8, M13, M14, M16, M21, M24)	M4 - DCC072XXX3BJXLAA	
31	0121L01382RFNG SIDE POST (M2, M5)	M5 - DCC072XXX3BXDXAA	
41	0121L00344RFNG CORNER POST (M1, M3, M4, M6, M7, M8, M9, M10, M11, M12, M13, M14, M15, M16, M17, M18, M19, M20, M21, M22, M23, M24, M25, M26, M27)	M6 - DCC072XXX3BXXXAA	
41	0121L01201RFNG CORNER POST (M1, M2, M5, M7, M8, M13, M14, M16, M21, M24)	M7 - DCC072XXX3BXXXAB	
41	0121L01383RFNG CORNER POST (M2, M5)	M8 - DCC072XXX4BAXKAC	
51	0121L00354NG LOUVERED COMPRESSOR PANEL (M1, M2, M5, M6, M7, M8, M10, M11, M12, M13, M14, M15, M16, M19, M27)	M9 - DCC072XXX4BHXXAB	
51	0121L00840NG LOUVERED COMPRESSOR PANEL (M3, M4, M9, M17, M18, M20, M21, M22, M23, M24, M25, M26)	M10 - DCC072XXX4BXXBAB	
NS	0121L01309 ECONOMIZER COVER (M1, M4, M8, M14, M23, M26)	M11 - DCC072XXX4BXXXAA	
NS	0164L00009 GASKET-RUBBER, CPOST (QTY 3)	M12 - DCC072XXX4BXXXAB	
NS	0164L00011 GASKET-RUBBER, SIDE POST (QTY 2)	M13 - DCC072XXX4BXXXAC	
NS	0121L00321 SMOKE DETECTOR COVER	M14 - DCC072XXX7BAXXAB	
Image 2:		M15 - DCC072XXX7BXXXAA	
12	0121L00342NG DUCT PANEL (M1, M3, M4, M5, M6, M7, M8, M9, M10, M11, M12, M13, M14, M15, M16, M17, M18, M19, M20, M21, M22, M23, M24, M25, M26, M27)	M16 - DCC072XXX7BXXXAB	
12	0121L01365NG DUCT PANEL (M2)	M17 - DCC0720103BHXAAA	
22	0121L00023NG RETURN DUCT COVER	M18 - DCC0720104BHXJAB	
32	0121L00024NG SUPPLY DUCT COVER	M19 - DCC0720104BXXAAB	
42	0121L00279NG ELECTRIC HEAT DOOR (M3, M4, M6, M9, M10, M11, M12, M15, M17, M18, M19, M20, M22, M23, M25, M26, M27)	M20 - DCC0720153BHXOAA	
42	0121L01176NG ELECTRIC HEAT DOOR (M1, M2, M5, M7, M8, M13, M14, M16, M21, M24)	M21 - DCC0720153BHXXAB	
52	0121L00346NG BLOWER DOOR (M3, M4, M6, M9, M10, M11, M12, M15, M17, M18, M19, M20, M22, M23, M25, M26, M27)	M22 - DCC0720153BHZZAA	
52	0121L01172NG BLOWER DOOR (M1, M2, M5, M7, M8, M13, M14, M16, M21, M24)	M23 - DCC0720153BJXFAA	
62	0121G00301 RAIL CORNER BRACKET (QTY 4)	M24 - DCC0720154BHXAAC	
72	0121L00353NG LOUVERED CONTROL PANEL (M3, M4, M6, M9, M10, M11, M12, M15, M17, M18, M19, M20, M22, M23, M25, M26, M27)	M25 - DCC0720253BHXNAA	
72	0121L01170NG LOUVERED CONTROL PANEL (M1, M7, M8, M13, M14, M16, M21, M24)	M26 - DCC0720254BJXUAB	
72	0121L01348NG LOUVERED CONTROL PANEL (M2, M5)	M27 - DCC0720254BXXDAA	

Partition Assy

Image 1

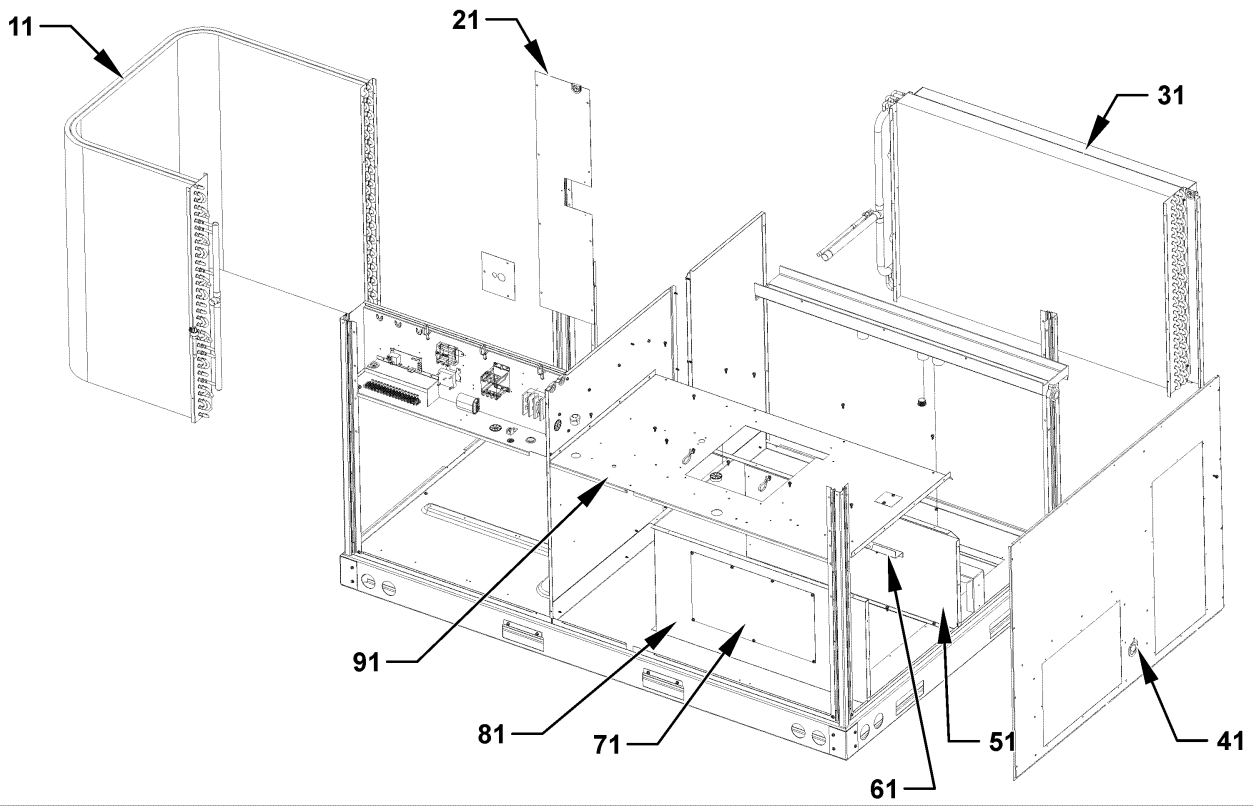
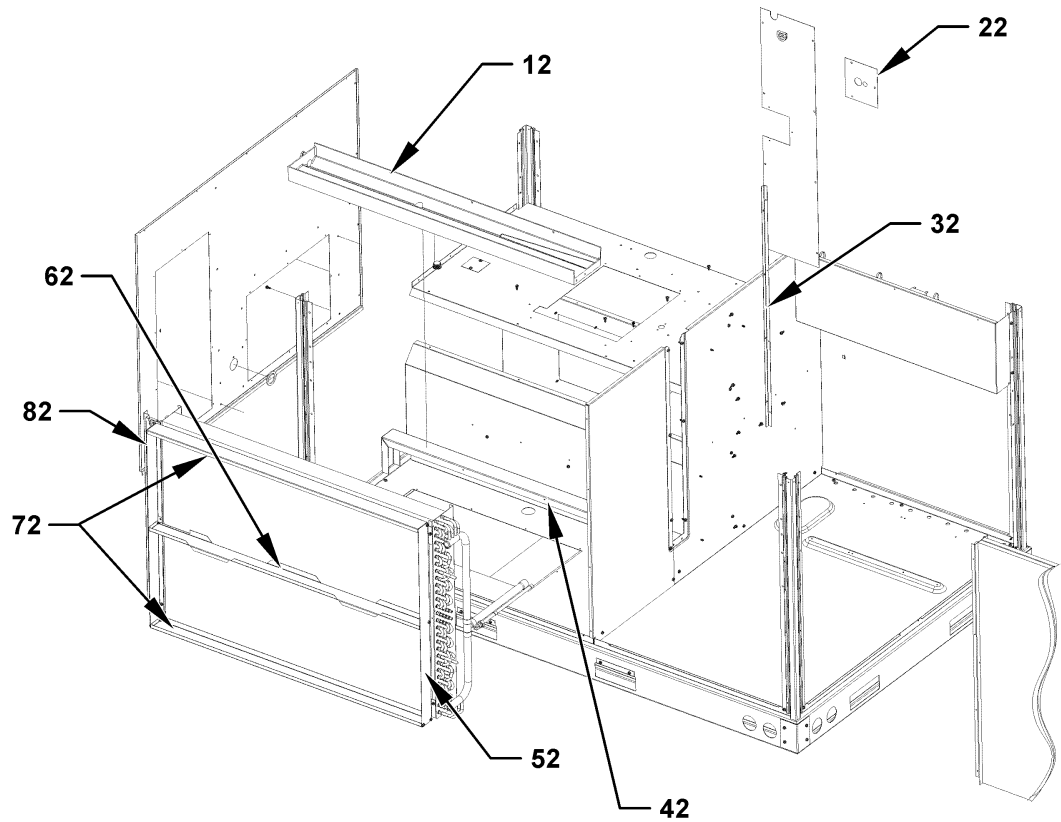


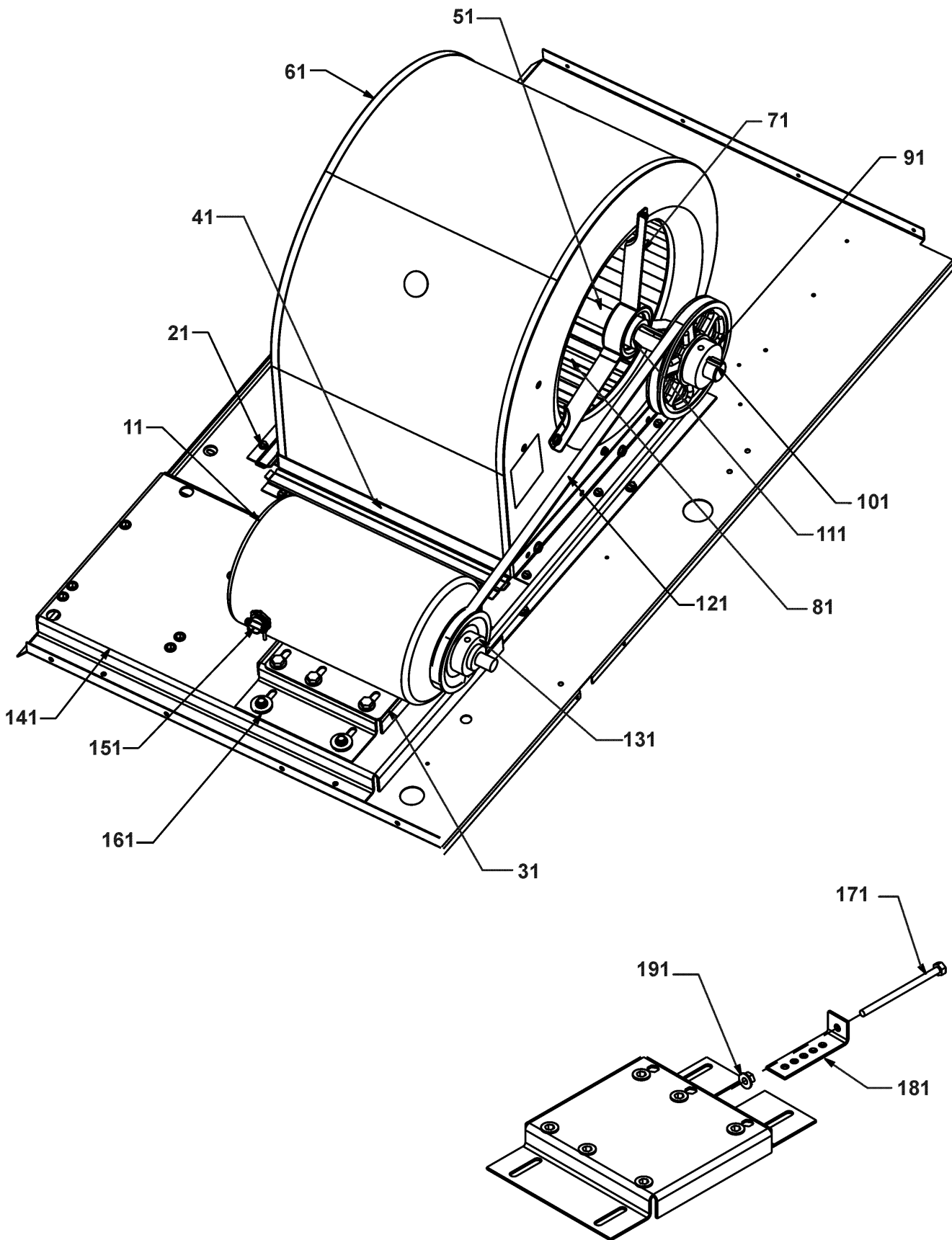
Image 2



Partition Assy

Ref. Part No: No:	Description:	Ref. Part No: No:	Description:
Image 1:		Expanded Model Nomenclature	
11	0201L00145	CONDENSER COIL ASSY	M1 - DCC072XXX3BAXXAB
21	0121L00889	BLOCKOFF-CONDENSER	M2 - DCC072XXX3BHDBAB
31	0202L00032	TUBING ASSY, EVAP COIL	M3 - DCC072XXX3BHXXAA
41	0154L00009	DRAIN PAN GASKET	M4 - DCC072XXX3BJXLAA
51	0121L00243	DECK SIDE CHANNEL	M5 - DCC072XXX3BXDXAA
61	0121L00288	ELECTRIC HEAT RETAINER	M6 - DCC072XXX3BXXXAA
71	0121L00144	ELECTRIC HEAT COVER	M7 - DCC072XXX3BXXXAB
81	0121L00256	ELECTRIC HEAT PANEL	M8 - DCC072XXX4BAXKAC
91	0121L01205	BLOWER DECK (M3, M4, M6, M9, M10, M11, M12, M15, M17, M18, M19, M20, M22, M23, M25, M26, M27)	M9 - DCC072XXX4BHXXAB
91	0121L01377	BLOWER DECK (M2, M5)	M10 - DCC072XXX4BXXBAB
91	0121L01442	BLOWER DECK (M1, M2, M5, M7, M8, M13, M14, M16, M21, M24)	M11 - DCC072XXX4BXXXAA
NS	0121L00321	SMOKE DETECTOR COVER	M12 - DCC072XXX4BXXXAB
Image 2:			
12	0161L00005	DRAIN PAN	M13 - DCC072XXX4BXXXAC
22	0121L00939	CONDENSER BLOCKOFF PLATE	M14 - DCC072XXX7BAXXAB
32	0121L00349	COND MOUNTING ANGLE	M15 - DCC072XXX7BXXXAA
42	0121L00238	DRAIN PAN SUPPORT	M16 - DCC072XXX7BXXXAB
52	0121L00357	FILTER ANGLE-VERTICAL (RETURN SIDE)	M17 - DCC0720103BHXAAA
62	0121L01255	FILTER ANGLE-HORIZONTAL (CENTER)	M18 - DCC0720104BHXJAB
72	0121L00932	FILTER ANGLE-HORIZONTAL (QTY 2)	M19 - DCC0720104BXXAAB
82	0121L00358	FILTER ANGLE-VERTICAL (HAIRPIN SIDE)	M20 - DCC0720153BHXOAA
NS	0160L00174	AIR FILTER 16 X 20 X 2 (M1, M2, M3, M4, M5, M6, M7, M8, M9, M10, M12, M13, M14, M15, M16, M17, M18, M19, M20, M21, M22, M23, M24, M25, M26, M27)	M21 - DCC0720153BHXXAB
NS	B1369608	AIR FILTER 20 X 16 X 2 (M11)	M22 - DCC0720153BHXZAA
NS	0121L00345	BLOCKOFF-EVAPORATOR	M23 - DCC0720153BJXFAA
			M24 - DCC0720154BHXAAC
			M25 - DCC0720253BHXNAA
			M26 - DCC0720254BJXUAB
			M27 - DCC0720254BXXDAA

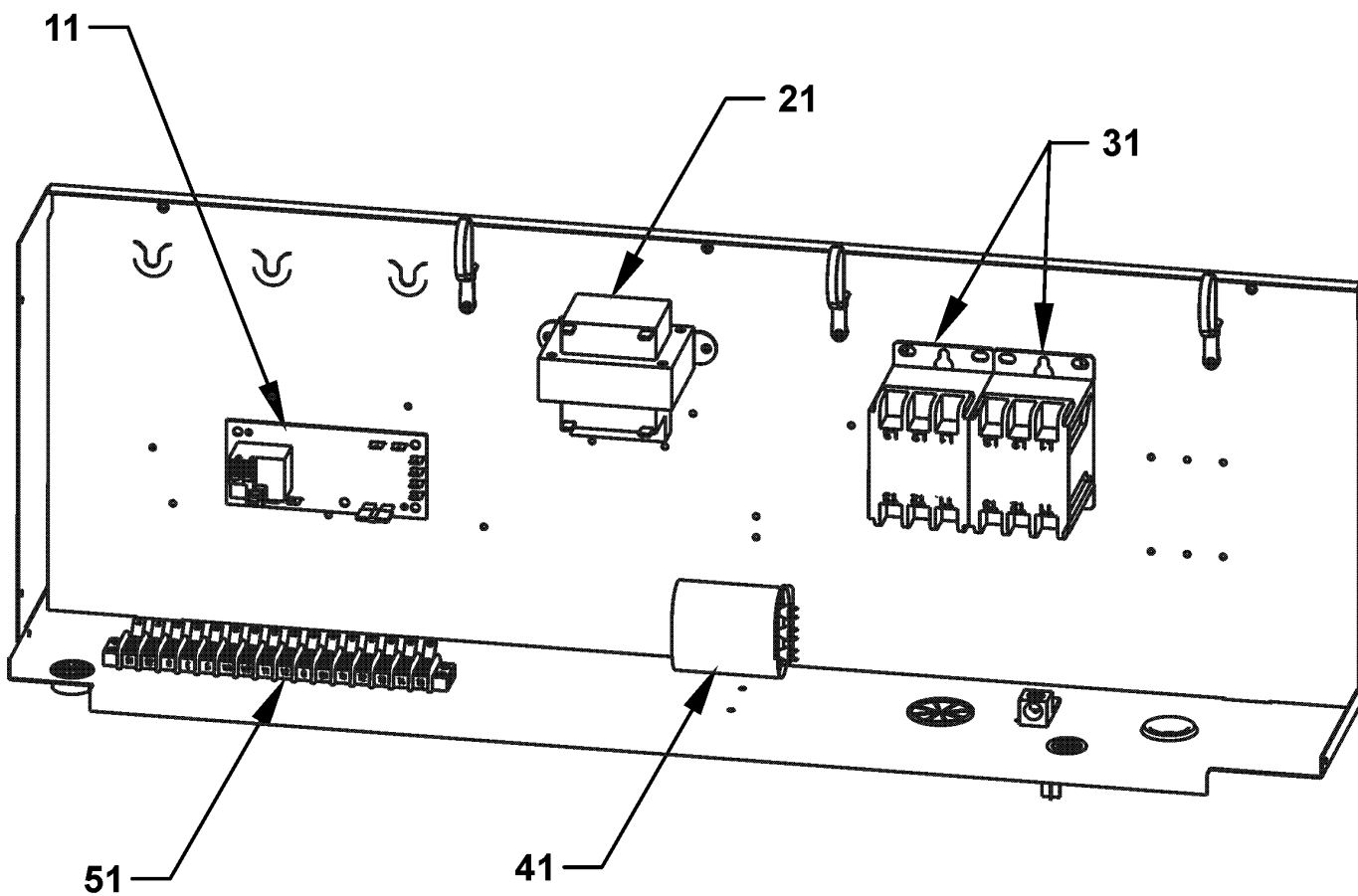
Belt Drive Assy



Belt Drive Assy

Ref. Part No:	Description:	Ref. Part No:	Description:
Image 1:		Expanded Model Nomenclature	
11	B3240007		BELT DRIVE MOTOR 1.5 HP (M1, M2, M3, M4, M5, M6, M7, M8, M9, M10, M11, M12, M13, M17, M18, M19, M20, M21, M22, M23, M24, M25, M26, M27)
11	0131L00004		BELT DRIVE MOTOR 1.5 HP 575V (M14, M15, M16)
21	0121L00297		BLOWER SIDE ANGLE (QTY 3)
31	0121L00899		MOTOR BASE
41	0121L00281		BLOWER MOUNTING ANGLE
51	0163L00005		BELT DRIVE BLOWER SHAFT
61	2539302F		BLOWER HOUSING 11 X 10
71	B3201300		MOUNTING BRACKET BEARING (QTY 2)
81	B1368056		BELT DRIVE BLOWER WHEEL
91	0163L00031		FIXED SHEAVE AK59
101	B1398604		STEEL KEY (000158812) 2.0"
111	B1399500		BALL BEARING 1.00" (QTY 2)
121	0164L00010		FAN BELT, NOTCHED
131	B2120001		VARIABLE PITCH SHEAVE 1VL44 X 3/8" (M14, M15, M16)
131	B2120014		VARIABLE PITCH SHEAVE 1VL44 X 7/8" (M1, M2, M3, M4, M5, M6, M7, M8, M9, M10, M11, M12, M13, M17, M18, M19, M20, M21, M22, M23, M24, M25, M26, M27)
141	0121L01203		BLOWER PLATE SUPPORT
151	B1393726		ELECT. CONNECTING BUSHING
161	B1393738		BOLT 1/4-20 X 3/4" (QTY 8)
171	0163M00045		BOLT 1/4-20 X 4"
181	3225000F		BELT TIGHTENER ANGLE
191	B1393023		NUT / LOCK .25-20
NS	1864703F		BLOWER CUT-OFF
NS	B1398603		STEEL KEY (000158812) 4.5"
		M1	DCC072XXX3BAXXAB
		M2	DCC072XXX3BHDBAB
		M3	DCC072XXX3BHXXAA
		M4	DCC072XXX3BJXLAA
		M5	DCC072XXX3BXXDAA
		M6	DCC072XXX3BXXXAA
		M7	DCC072XXX3BXXXAB
		M8	DCC072XXX4BAXKAC
		M9	DCC072XXX4BHXXAB
		M10	DCC072XXX4BXXBAB
		M11	DCC072XXX4BXXXAA
		M12	DCC072XXX4BXXXAB
		M13	DCC072XXX4BXXXAC
		M14	DCC072XXX7BAXXAB
		M15	DCC072XXX7BXXXAA
		M16	DCC072XXX7BXXXAB
		M17	DCC0720103BHXAAA
		M18	DCC0720104BHXJAB
		M19	DCC0720104BXXAAB
		M20	DCC0720153BHXOAA
		M21	DCC0720153BHXXAB
		M22	DCC0720153BHXZAA
		M23	DCC0720153BJXFAA
		M24	DCC0720154BHXAAC
		M25	DCC0720253BHXNAA
		M26	DCC0720254BJXUAB
		M27	DCC0720254BXXDAA

Control Box Assy



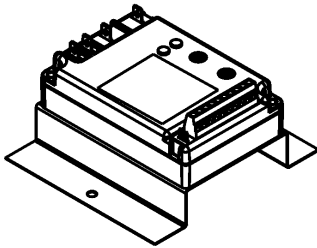
Control Box Assy

Ref. Part No: No:	Description:	Ref. Part No: No:	Description:
<i>Image 1:</i>		Expanded Model Nomenclature	
11	PCBFM103	ELECTRONIC BLOWER TIME DELAY	M1 - DCC072XXX3BAXXAB
21	0130M00138	TRANSFORMER 208/230, 24V (M1, M2, M3, M4, M5, M6, M7, M17, M20, M21, M22, M23, M25)	M2 - DCC072XXX3BHDBAB
21	0130M00145	TRANSFORMER 480V to 24V, 75VA (M8, M9, M10, M11, M12, M13, M18, M19, M24, M26, M27)	M3 - DCC072XXX3BHXXAA
21	0130M00148	TRANSFORMER 575V to 24V, 75VA (M14, M15, M16)	M4 - DCC072XXX3BJXLAA
31	CONT3P025024V	CONTACTOR 25 AMP, 3P, 24V (M8, M9, M10, M11, M12, M13, M14, M15, M16, M18, M19, M24, M26, M27)	M5 - DCC072XXX3BXDXAA
31	CONT3P030024V	CONTACTOR 30 AMP, 3P, 24V (M1, M2, M3, M4, M5, M6, M7, M17, M20, M21, M22, M23, M25)	M6 - DCC072XXX3BXXXAA
41	CAP100000370LA	CAPACITOR 10/370V (M1, M2, M3, M4, M5, M6, M7, M8, M9, M10, M12, M13, M17, M18, M19, M20, M21, M22, M23, M24, M25, M26)	M7 - DCC072XXX3BXXXAB
41	CAP050000370LA	CAPACITOR 5/370V (M11, M15, M27)	M8 - DCC072XXX4BAXKAC
41	CAP050000440LA	CAPACITOR 5/440V (M14, M16)	M9 - DCC072XXX4BHXXAB
51	0130M00038	TERMINAL BOARD	M10 - DCC072XXX4BXXBAB
NS	20520901	CAPACITOR STRAP	M11 - DCC072XXX4BXXXAA
NS	0259L00178	HARNESS, ECONOMIZER	M12 - DCC072XXX4BXXXAB
NS	0259L00054	WIRING HARNESS (M1, M2, M3, M4, M5, M6, M7, M14, M15, M16, M17, M20, M21, M22, M23, M25)	M13 - DCC072XXX4BXXXAC
NS	0259L00060	WIRING HARNESS (M8, M9, M10, M11, M12, M13, M18, M19, M24, M26, M27)	M14 - DCC072XXX7BAXXAB
NS	0259L00061	WIRING HARNESS	M15 - DCC072XXX7BXXXAA
NS	0259L00064	WIRING HARNESS	M16 - DCC072XXX7BXXXAB
NS	0259L00094	WIRING HARNESS	M17 - DCC0720103BHXAAA
			M18 - DCC0720104BHXJAB
			M19 - DCC0720104BXXAAB
			M20 - DCC0720153BHXOAA
			M21 - DCC0720153BHXXAB
			M22 - DCC0720153BHXZAA
			M23 - DCC0720153BJXFAA
			M24 - DCC0720154BHXAAC
			M25 - DCC0720253BHXNAA
			M26 - DCC0720254BJXUAB
			M27 - DCC0720254BXXDAA

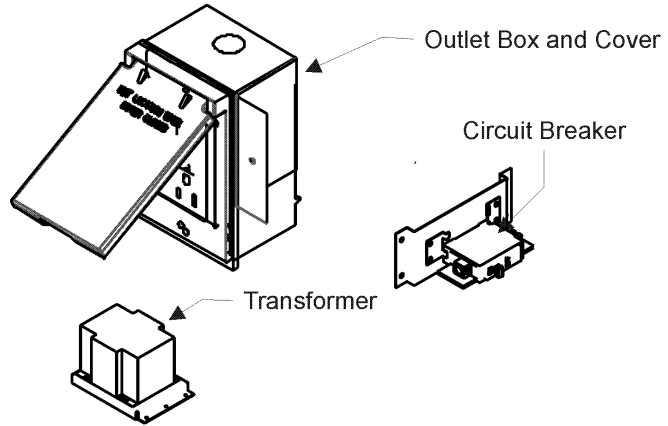
ACCESSORY PARTS LIST

NOTE: NOT ALL OPTIONS AVAILABLE FOR ALL PRODUCTS

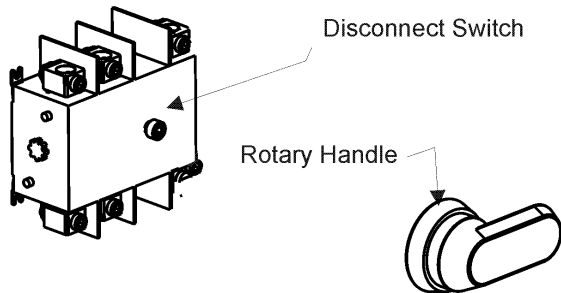
LOW AMBIENT KITS



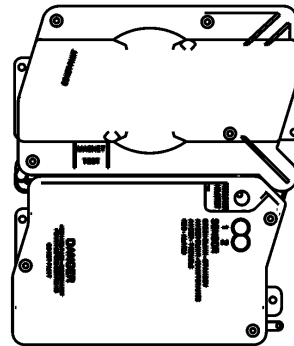
GFCI CONVENIENCE OUTLET



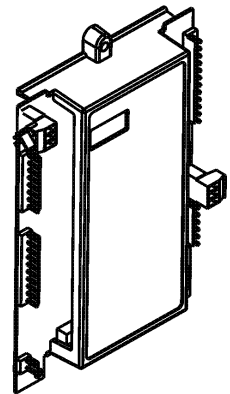
DISCONNECT MODULE (NON-FUSED)



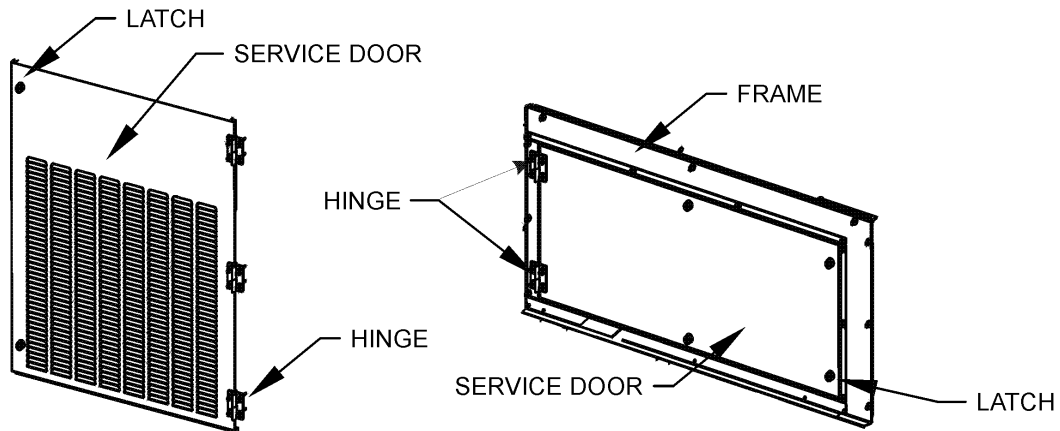
SMOKE DETECTORS



DDC CONTROL



HINGED DOOR ASSEMBLIES



Accessory Parts List

Ref. Part No: No:	Description:	Ref. Part No: No:	Description:
Image 1:		Expanded Model Nomenclature	
NS 0121L01381NG	BLOWER DOOR FRAME (M2, M5)	M1 - DCC072XXX3BAXXAB	
NS 0121L01379NG	BLOWER SERVICE DOOR, BACK (M2, M5)	M2 - DCC072XXX3BHDBAB	
NS 0121L01378NG	BLOWER SERVICE DOOR, FRONT (M2, M5)	M3 - DCC072XXX3BHXXAA	
NS 0121L00316	BRACKET-CONV OUTLET MOUNT (M2, M4, M8, M10, M17, M18, M19, M20, M23, M24, M25, M26)	M4 - DCC072XXX3BJXLAA	
NS 0121L00332	BRACKET-SMOKE DETECTOR (M4, M8, M18, M20, M22, M25, M26, M27)	M5 - DCC072XXX3BXDXAA	
NS 0130M00065	CIRCUIT BREAKER, CONVENIENCE OUTLET (M2, M10, M20, M25)	M6 - DCC072XXX3BXXXAA	
NS 0121L00837NG	DISCONNECT COVER (M3, M4, M9, M17, M18, M20, M21, M22, M23, M24, M25, M26)	M7 - DCC072XXX3BXXXAB	
NS 0121L00973NG	DISCONNECT SWITCH COVER (M2)	M8 - DCC072XXX4BAXKAC	
NS 0130L00012	GANG BOX-GFCI OUTLET (M2, M4, M8, M10, M17, M18, M19, M20, M23, M24, M25, M26)	M9 - DCC072XXX4BHXXAB	
NS 0130L00039	HANDLE, ROTARY (M2, M3, M4, M9, M17, M18, M20, M21, M22, M23, M24, M25, M26)	M10 - DCC072XXX4BXXBAB	
NS 0163M00307	HINGE, LEFT HAND (M2, M5)	M11 - DCC072XXX4BXXXAA	
NS 0163M00308	HINGE, RIGHT HAND (M2, M5)	M12 - DCC072XXX4BXXXAB	
NS 0163M00322	LATCH (M2, M5)	M13 - DCC072XXX4BXXXAC	
NS 0121L01348NG	LOUVERED CP SERVICE DOOR (M2, M5)	M14 - DCC072XXX7BAXXAB	
NS LAKT01	LOW AMBIENT KIT (M4, M8, M23, M26)	M15 - DCC072XXX7BXXXAA	
NS 0161G00012	POWER OUTLET BOX (M2, M4, M8, M10, M17, M18, M19, M20, M23, M24, M25, M26)	M16 - DCC072XXX7BXXXAB	
NS 0130L00103	RECEPTACLE-GFCI OUTLET (M2, M4, M8, M10, M17, M18, M19, M20, M23, M24, M25, M26)	M17 - DCC0720103BHXAAA	
NS 0130L00042	SHAFT, CUT (M9, M17, M18, M20, M21, M22, M23, M24, M26)	M18 - DCC0720104BHXJAB	
NS 0130L00056	SHAFT, CUT (M2)	M19 - DCC0720104BXXAAB	
NS 0130L00049	SHAFT, DISCONNECT (M3, M4, M25)	M20 - DCC0720153BHXOAA	
NS D4120	SMOKE DETECTOR, PHOTO 4WIRE (M8, M25, M26, M27)	M21 - DCC0720153BHXXAB	
NS D4S	SMOKE DETECTOR, SENSOR ONLY (M4, M18, M20, M22)	M22 - DCC0720153BHXXAA	
NS 0130L00027	SWITCH-DISCONNECT 100A (M2, M3, M4, M25)	M23 - DCC0720153BJXFAA	
NS 0130L00046	SWITCH-DISCONNECT 60A (M9, M17, M18, M20, M21, M22, M23, M24, M26)	M24 - DCC0720154BHXAAC	
NS 0130M00061	TRANSFORMER, CONVENIENCE OUTLET (M2, M10, M20, M25)	M25 - DCC0720253BHXNAA	
		M26 - DCC0720254BJXUAB	
		M27 - DCC0720254BXXDAA	