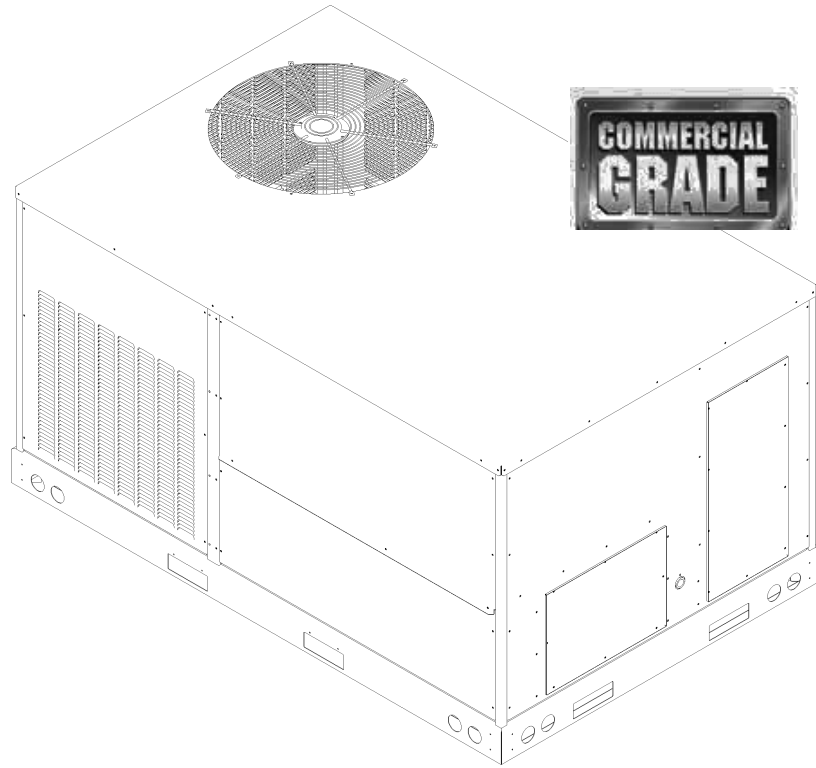


Commercial 4-5 Ton Package Cooling Units (50 Hz EXPORTS)

DCC048XXXBDXXXA

DCC060XXXBDXXXA



This manual is to be used by qualified technicians only.

Important Information

Index

Functional Parts List	3
Illustration and Parts	4 - 13

Views shown are for parts illustrations only, not servicing procedures

Text Codes:

AR - As Required

NA - Not Available

NS - Not Shown

00000000 - See Note

QTY - Quantity Example (QTY 3) (If Quantity not shown, Quantity = 1)

M - Model Example (M1) (If M Code not shown, then part is used on all Models)

Expanded Model Nomenclature:

Example M1 - Model#1 M2 - Model#2 M3 - Model#3

Daikin Company, L.P. is not responsible for personal injury or property damage resulting from improper service. Review all service information before beginning repairs.

Warranty service must be performed by an authorized technician, using authorized factory parts. If service is required after the warranty expires, Daikin Company, L.P. also recommends contacting an authorized technician and using authorized factory parts.

Daikin Company, L.P. reserves the right to discontinue, or change at any time, specifications or designs without notice or without incurring obligations.

For assistance within the U.S.A. contact:

Consumer Affairs Department
Daikin North America, LLC
7401 Security Way
Houston, Texas 77040
855-770-5678-Telephone
713-863-2382-Facsimile

For assistance outside the U.S.A. contact:

International Division
Daikin North America, LLC
7401 Security Way
Houston, Texas 77040
713-861-2500-Telephone
713-863-2382-Facsimile

Functional Parts

Part

No: **Description:**

CAP075000370LA	CAPACITOR 7.5/370V
ZP44K5ETFD130	COMPRESSOR 44000, 460/60/3 (M1)
ZP61KCETFD130	COMPRESSOR 61500, 460/60/3 (M2)
0131M00642	COND MOTOR 1/3 HP, 460V, 60 CYCLE
CONT3P025024V	CONTACTOR 25 AMP, 3P, 24V
0130M00074	CUT-OUT SWITCH, HIGH PRESSURE
0130M00087	CUT-OUT SWITCH, LOW PRESSURE
0150G00004	FAN BLADE (M1)
B1086765	FAN BLADE TYPE 3 (M2)
10441501	MOTOR MOUNT ARM (QTY 4)
0131M00713	MOTOR, HP SELECTECH (M2)
0131M00712	MOTOR, HP SELECTECH (M1)
0130M00038	TERMINAL BOARD
0130M00081	TRANSFORMER 380V, 75VA, RESETT

Expanded Model Nomenclature

M1 - DCC048XXXBDXXXAA

M2 - DCC060XXXBDXXXAA

Top Panel/Tubing Assy

Image 1

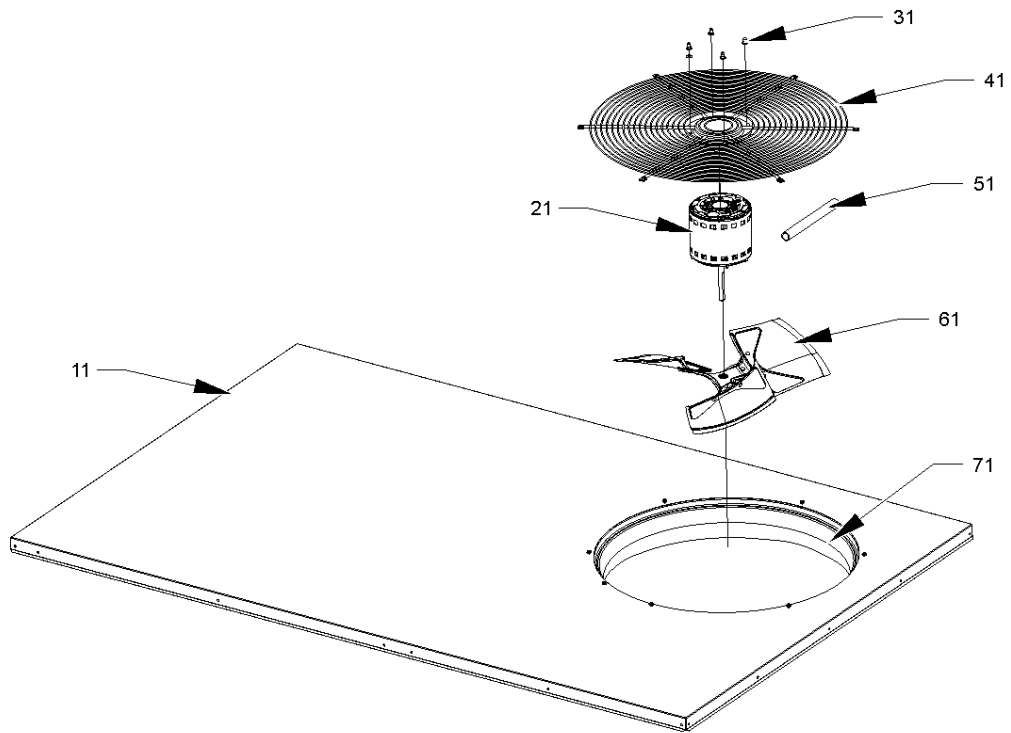
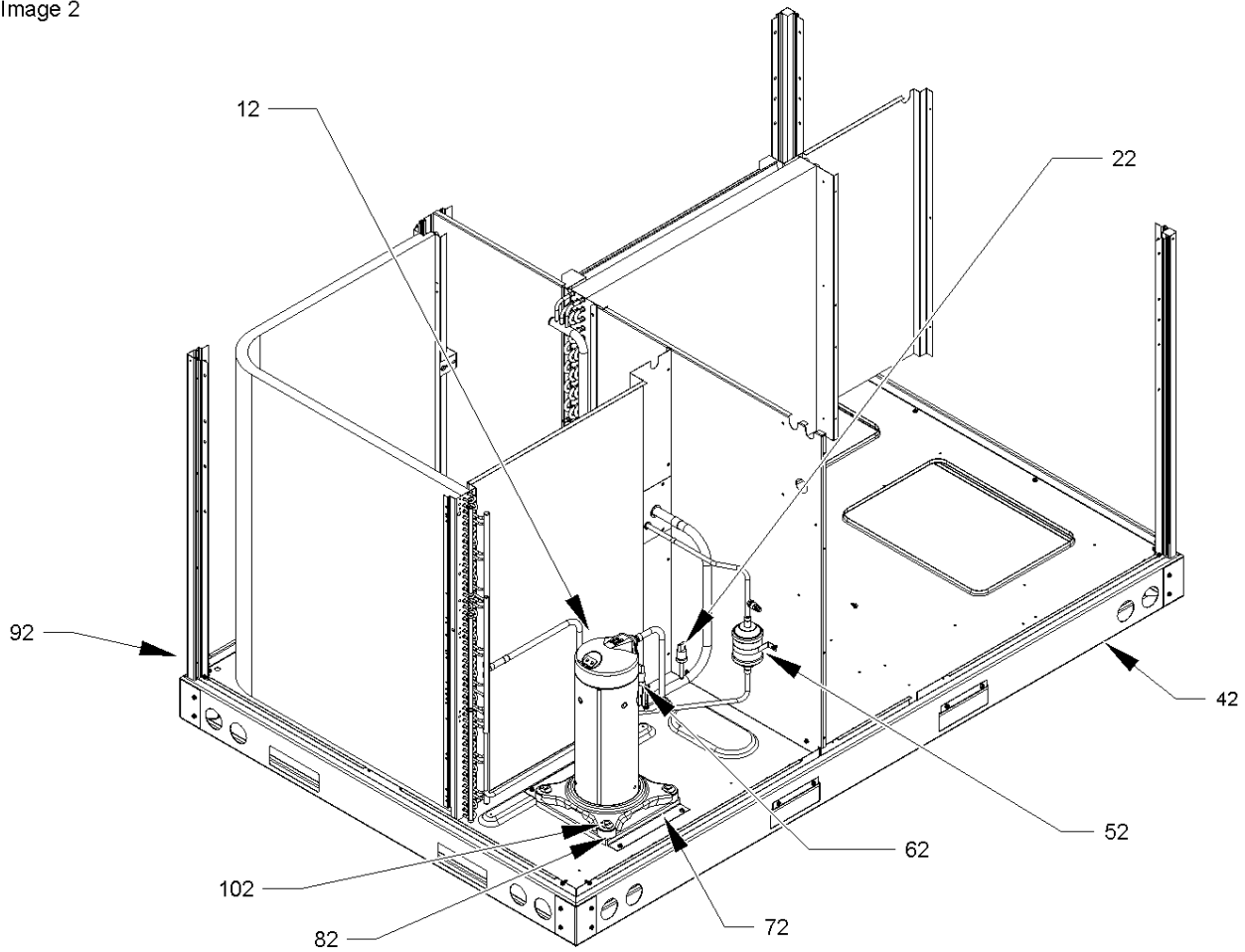


Image 2



Top Panel/Tubing Assy

Ref. Part No: No:	Description:	Ref. Part No: No:	Description:
-------------------	--------------	-------------------	--------------

Image 1:

11	0121L00235NG	TOP PANEL
21	0131M00642	COND MOTOR 1/3 HP, 460V, 60 CYCLE
31	0163M00006P	ACORN NUT 5/16 HEX BLACK (QTY 4)
41	0152G00003	FAN GRILLE
51	17788000083F	PVC CONDUIT 8.25"
61	0150G00004	FAN BLADE (M1)
61	B1086765	FAN BLADE TYPE 3 (M2)
71	0161L00000	VENTURI RING 22"
NS	0163M00005P	WASHER, BLACK (.50 OD .218ID) (QTY 4)

Image 2:

12	ZP44K5ETFD130	COMPRESSOR 44000, 460/60/3 (M1)
12	ZP61KCETFD130	COMPRESSOR 61500, 460/60/3 (M2)
22	0130M00087	CUT-OUT SWITCH, LOW PRESSURE
42	0121L00244RF	SIDE RAIL (QTY 2)
52	20485201	BI-FLOW FILTER DRIER (M2)
52	0162R00009	FILTER DRIER (M1)
62	0130M00074	CUT-OUT SWITCH, HIGH PRESSURE
72	0121L00310	COMPRESSOR MOUNTING PLATE
82	B1339533	COMPRESSOR GROMMET (QTY 4)
92	0121L00245	END RAIL (QTY 2)
102	M0221641	TF SHOULDER SCREW (QTY 4)
NS	0159L00028	COMPRESSOR SCROLL HARNESS
NS	0163M00004	SCREW #10X3/4", BLACK (QTY 8)

Expanded Model Nomenclature

M1 - DCC048XXXBDXXXAA

M2 - DCC060XXXBDXXXAA

Cabinet Assy

Image 1

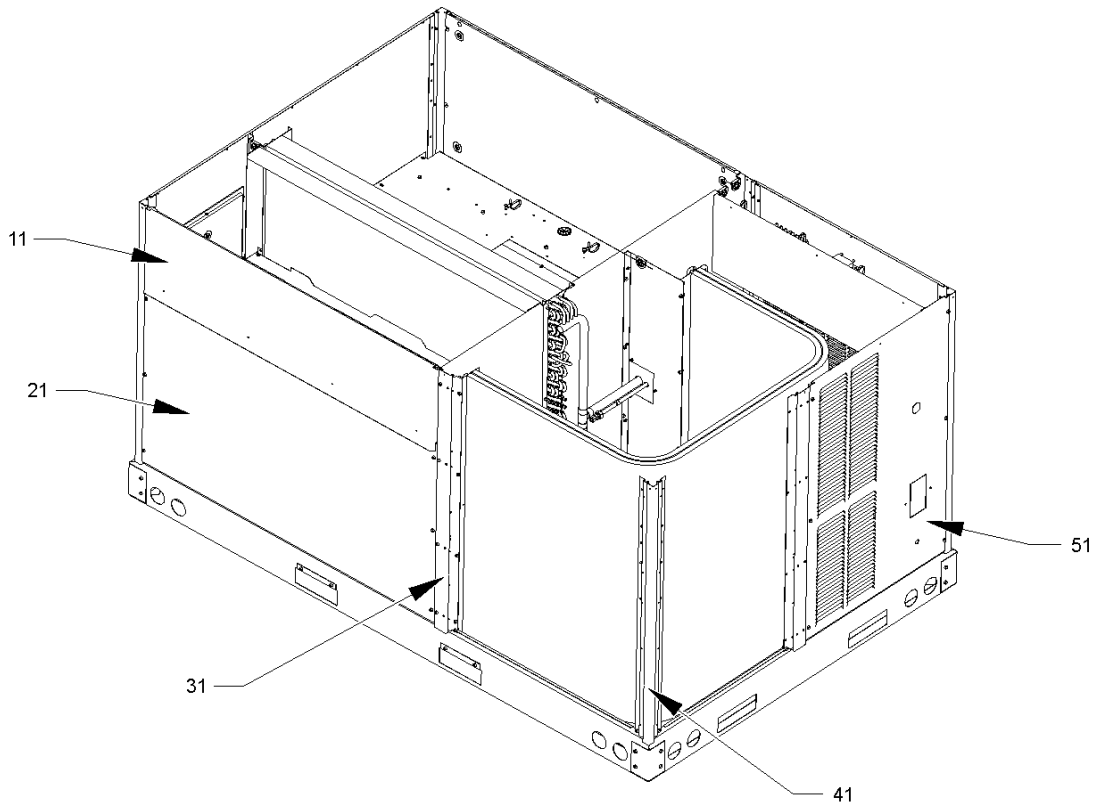
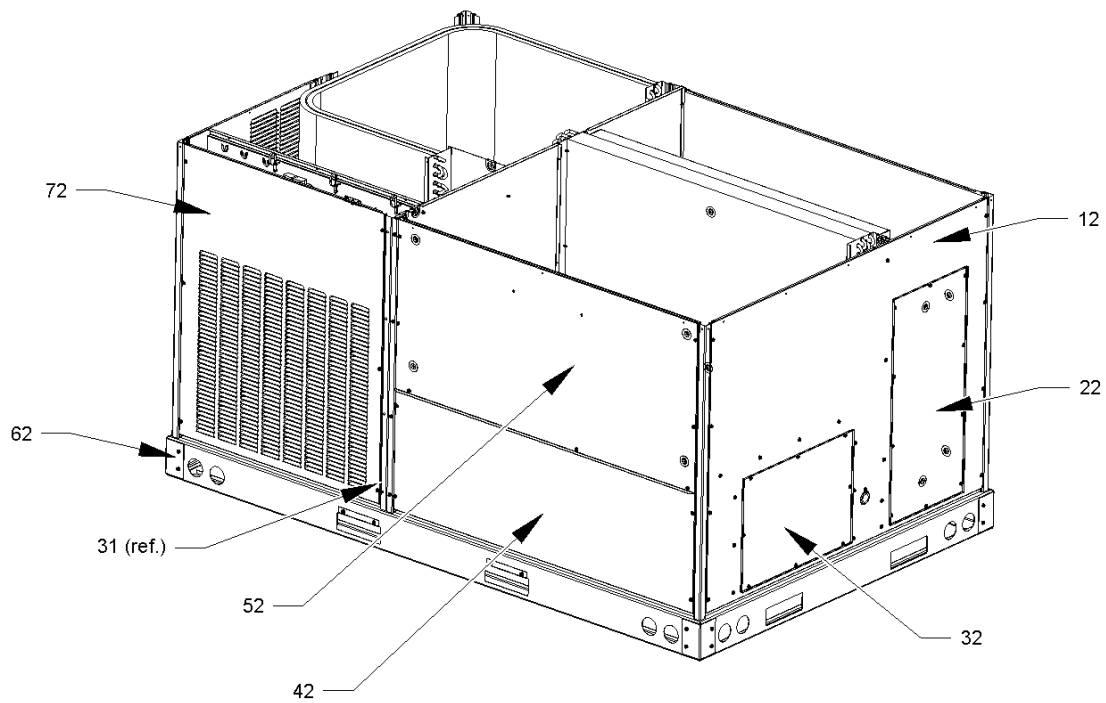


Image 2



Cabinet Assy

Ref. Part No: No:	Description:	Ref. Part No: No:	Description:
-------------------	--------------	-------------------	--------------

Image 1:

11	0270L00362NG	FILTER DOOR (M1)
11	0270L00363NG	FILTER DOOR (M2)
21	0121L00976NG	ECONOMIZER DOOR
31	0121L01159RFNG	POST-SIDE SUPPORT (M1)
31	0121L01169RFNG	POST-SIDE SUPPORT (M2)
41	0121L00237RFNG	CORNER POST (M1)
41	0121L00344RFNG	CORNER POST (M2)
51	0121L00263NG	LOUVERED COMPRESSOR PANEL (M1)
51	0121L00354NG	LOUVERED COMPRESSOR PANEL (M2)
NS	0164L00009	GASKET-RUBBER, CPOST (QTY 3)
NS	0164L00011	GASKET-RUBBER, SIDE POST (QTY 2)
NS	0121L00321	SMOKE DETECTOR COVER

Image 2:

12	0121L00236NG	DUCT PANEL (M1)
22	0121L00023NG	RETURN DUCT COVER
32	0121L00024NG	SUPPLY DUCT COVER
42	0121L01176NG	ELECTRIC HEAT DOOR
52	0121L01157NG	BLOWER DOOR (M1)
52	0121L01172NG	BLOWER DOOR (M2)
62	0121G00301	RAIL CORNER BRACKET (QTY 4)
72	0121L01121NG	LOUVERED CONTROL PANEL (M1)
72	0121L01170NG	LOUVERED CONTROL PANEL (M2)

Expanded Model Nomenclature

M1 - DCC048XXXBDXXXAA

M2 - DCC060XXXBDXXXAA

Partition Assy

Image 1

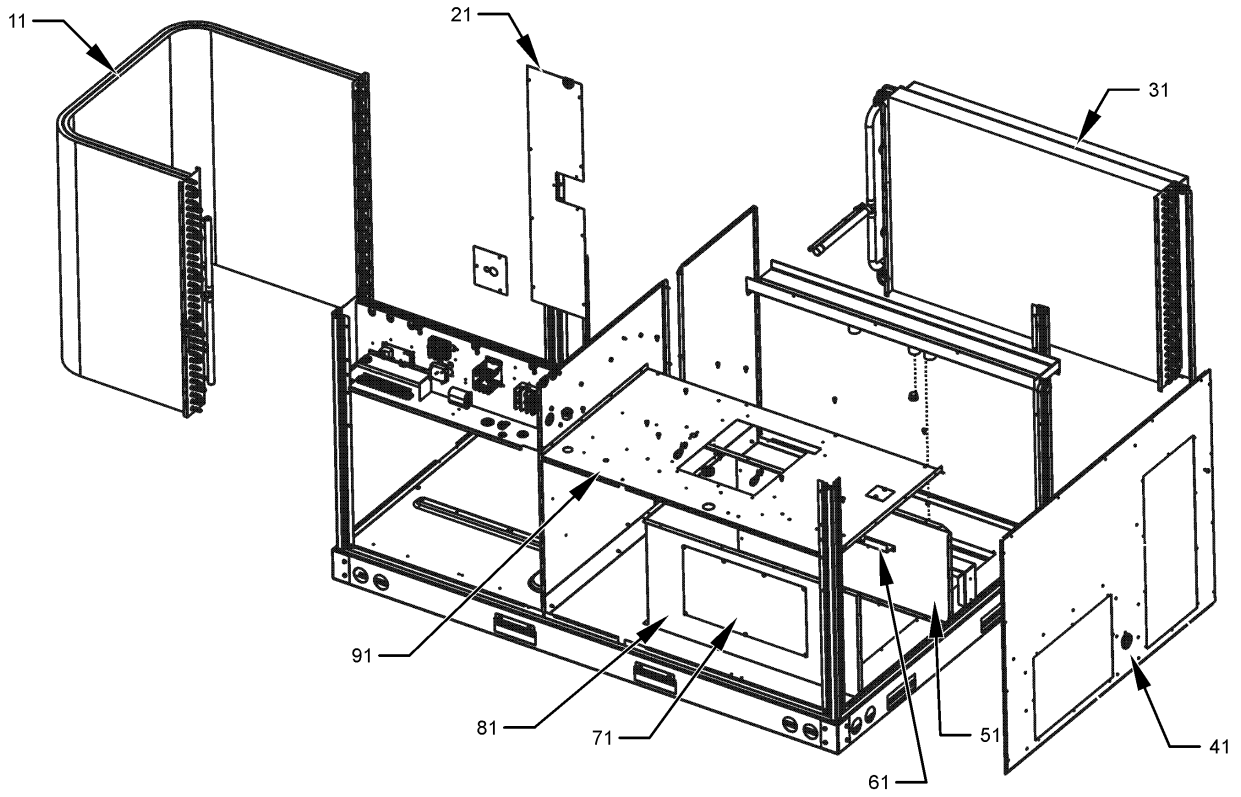
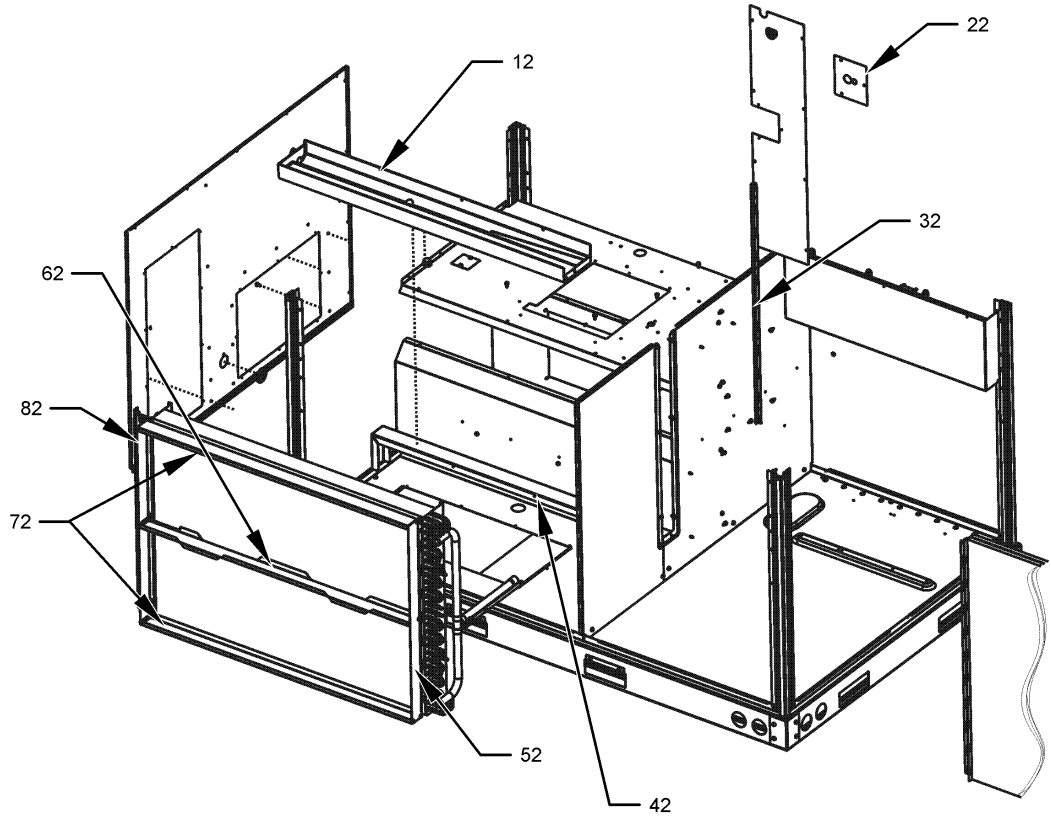


Image 2



Partition Assy

Ref. Part No: No:	Description:	Ref. Part No: No:	Description:
-------------------	--------------	-------------------	--------------

Image 1:

11	0201L00247	TUBING ASSY, COND COIL (M1)
11	0201L00249	TUBING ASSY, COND COIL (M2)
21	0121L00882	BLOCKOFF-CONDENSER (M1)
21	0121L00889	BLOCKOFF-CONDENSER (M2)
31	0202L00131	TUBING ASSY, EVAP COIL (M1)
31	0202L00133	TUBING ASSY, EVAP COIL (M2)
41	0154L00009	DRAIN PAN GASKET
51	0121L00243	DECK SIDE CHANNEL
61	0121L00288	ELECTRIC HEAT RETAINER
71	0121L00144	ELECTRIC HEAT COVER
81	0121L00256	ELECTRIC HEAT PANEL
91	0121L01376	BLOWER DECK

Image 2:

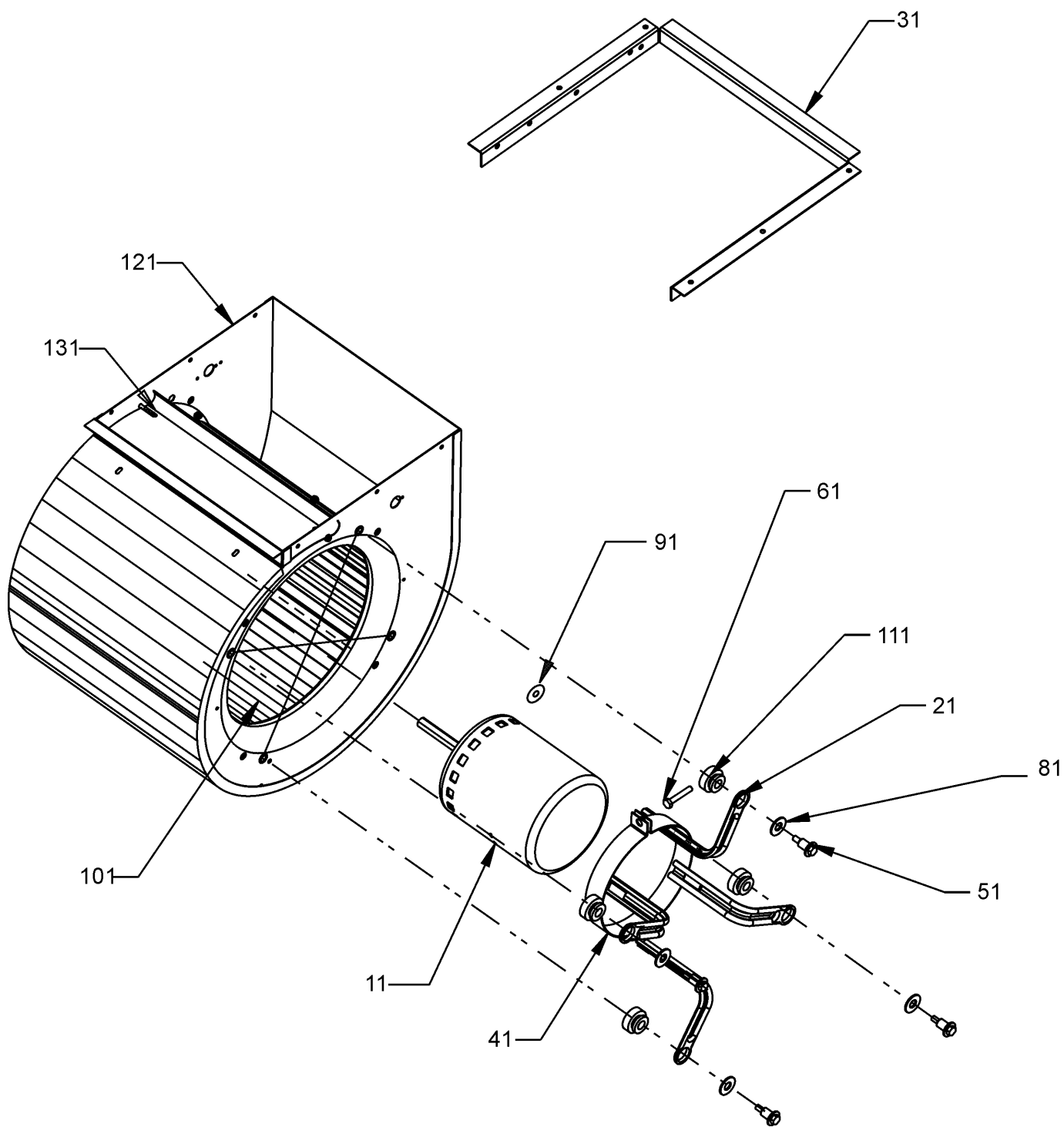
12	0161L00005	DRAIN PAN
22	0121L00939	CONDENSER BLOCKOFF PLATE
32	0121L00254	COND MOUNTING ANGLE (M1)
32	0121L00349	COND MOUNTING ANGLE (M2)
42	0121L00238	DRAIN PAN SUPPORT
52	0121L00287	FILTER ANGLE-VERTICAL (RETURN SIDE) (M1)
52	0121L00357	FILTER ANGLE-VERTICAL (RETURN SIDE) (M2)
62	0121L00298	FILTER ANGLE-HORIZONTAL (CENTER)
72	0121L00932	FILTER ANGLE-HORIZONTAL (QTY 2)
82	0121L00303	FILTER ANGLE-VERTICAL (HAIRPIN SIDE) (M1)
82	0121L00358	FILTER ANGLE-VERTICAL (HAIRPIN SIDE) (M2)
NS	B1369608	AIR FILTER 20 X 16 X 2 (M2)
NS	0160L00008	FILTER 14 X 20 X 2 (M1)

Expanded Model Nomenclature

M1 - DCC048XXXBDXXXAA

M2 - DCC060XXXBDXXXAA

Blower Assy



Blower Assy

Ref. Part No: No:	Description:	Ref. Part No: No:	Description:
-------------------	--------------	-------------------	--------------

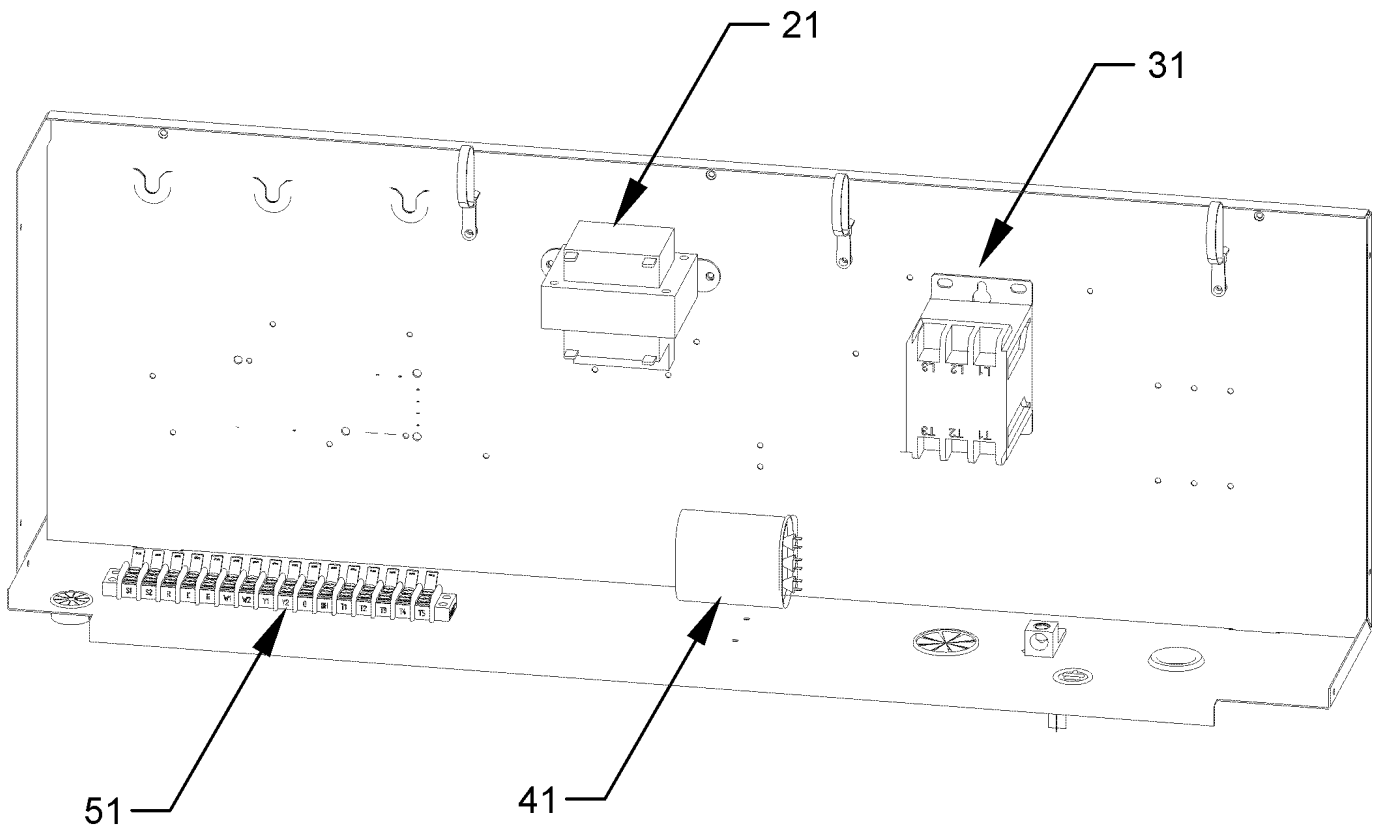
Image 1:

11	0131M00712	MOTOR, HP SELECTECH (M1)
11	0131M00713	MOTOR, HP SELECTECH (M2)
21	10441501	MOTOR MOUNT ARM (QTY 4)
31	0121L00281	BLOWER MOUNTING ANGLE
41	10441601	MOTOR MOUNT BAND
51	M0221461	TC SCREW (QTY 4)
61	M0267144	MACHINE SCREW
81	M0274008	FLAT WASHER (QTY 4)
91	B1392820	WASHER, SPLIT LOCK 1/4 BZ (QTY 4)
101	B1368000	BLOWER WHEEL 11 X 10
111	A4002702	BLOWER MOTOR GROMMET (QTY 4)
121	11185811	BLOWER HOUSING 11 X 10
131	C6121807	BLOWER CUT-OFF

Expanded Model Nomenclature

M1 - DCC048XXXBDXXXAA
M2 - DCC060XXXBDXXXAA

Control Box Assy



Control Box Assy

Ref. Part No: No:	Description:	Ref. Part No: No:	Description:
-------------------	--------------	-------------------	--------------

Image 1:

21	0130M00081	TRANSFORMER 380V, 75VA, RESETT
31	CONT3P025024V	CONTACTOR 25 AMP, 3P, 24V
41	CAP075000370LA	CAPACITOR 7.5/370V
51	0130M00038	TERMINAL BOARD
NS	20520901	CAPACITOR STRAP
NS	0259L00178	HARNESS, ECONOMIZER
NS	0259L00178	HARNESS, ECONOMIZER
NS	0130M00127	MOTOR POWER HARNESS
NS	0259L00054	WIRING HARNESS (M1)
NS	0259L00058	WIRING HARNESS
NS	0259L00059	WIRING HARNESS
NS	0130M00126	X-13 LOW VOLTAGE WIRE HARNESS

Expanded Model Nomenclature

M1 - DCC048XXXBDXXXAA
M2 - DCC060XXXBDXXXAA