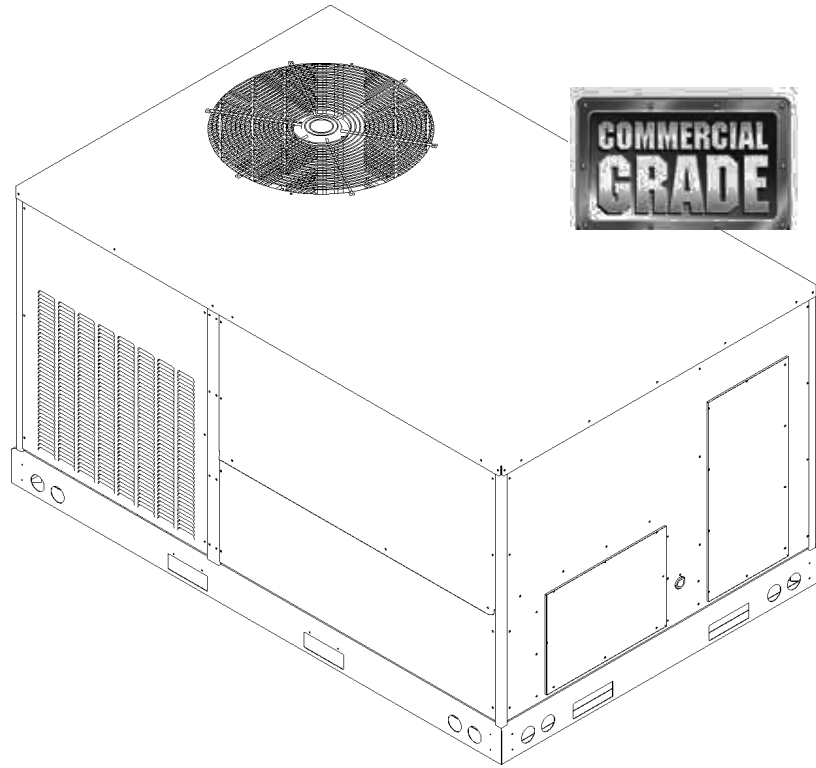


Commercial 5 Ton Direct Drive Package Cooling Units

DCC060XXX1DXXXAA
DCC060XXX1DXXXAB
DCC060XXX3DHXXAA
DCC060XXX3DHXXAB
DCC060XXX3DXXXAA
DCC060XXX3DXXXAB



This manual is to be used by qualified technicians only.

This manual replaces RP-D1018A.

Important Information

Index

Functional Parts List	3
Illustration and Parts	4 - 13

Views shown are for parts illustrations only, not servicing procedures

Text Codes:

AR - As Required

NA - Not Available

NS - Not Shown

00000000 - See Note

QTY - Quantity Example (QTY 3) (If Quantity not shown, Quantity = 1)

M - Model Example (M1) (If M Code not shown, then part is used on all Models)

Expanded Model Nomenclature:

Example M1 - Model#1 M2 - Model#2 M3 - Model#3

Daikin Company, L.P. is not responsible for personal injury or property damage resulting from improper service. Review all service information before beginning repairs.

Warranty service must be performed by an authorized technician, using authorized factory parts. If service is required after the warranty expires, Daikin Company, L.P. also recommends contacting an authorized technician and using authorized factory parts.

Daikin Company, L.P. reserves the right to discontinue, or change at any time, specifications or designs without notice or without incurring obligations.

For assistance within the U.S.A. contact:

Consumer Affairs Department
Daikin North America, LLC
7401 Security Way
Houston, Texas 77040
855-770-5678-Telephone
713-863-2382-Facsimile

For assistance outside the U.S.A. contact:

International Division
Daikin North America, LLC
7401 Security Way
Houston, Texas 77040
713-861-2500-Telephone
713-863-2382-Facsimile

Functional Parts

Part

No: Description:

0131M00521	BLOWER MOTOR 1 HP
B1368000	BLOWER WHEEL 11 X 10
CAP050000370LA	CAPACITOR 5/370V (M3, M4, M5, M6)
CAP050700440CT	CAPACITOR 5/70/440V/DUAL RD (M1, M2)
ZP51K5EPFV130	COMPRESSOR 51000, 208/230/60/1 (M1, M2)
ZP51K5ETF5130	COMPRESSOR 51000, 208/230/60/3 (M3, M4, M5, M6)
0131M00429	COND MOTOR 1/4 HP, 1 SP,6 PL
CONT3P030024V	CONTACTOR 30 AMP, 3P, 24V (M3, M4, M5, M6)
CONT2P040024V	CONTACTOR 40 AMP, 2P, 24V (M1, M2)
0130M00074	CUT-OUT SWITCH, HIGH PRESSURE
0130M00087	CUT-OUT SWITCH, LOW PRESSURE
0150G00001	FAN BLADE
0130M00038	TERMINAL BOARD
0130M00138	TRANSFORMER 208/230, 24V

Expanded Model Nomenclature

M1 - DCC060XXX1DXXXAA
M2 - DCC060XXX1DXXXAB
M3 - DCC060XXX3DHXXAA
M4 - DCC060XXX3DHXXAB
M5 - DCC060XXX3DXXXAA
M6 - DCC060XXX3DXXXAB

Top Panel / Tubing Assy

Image 1

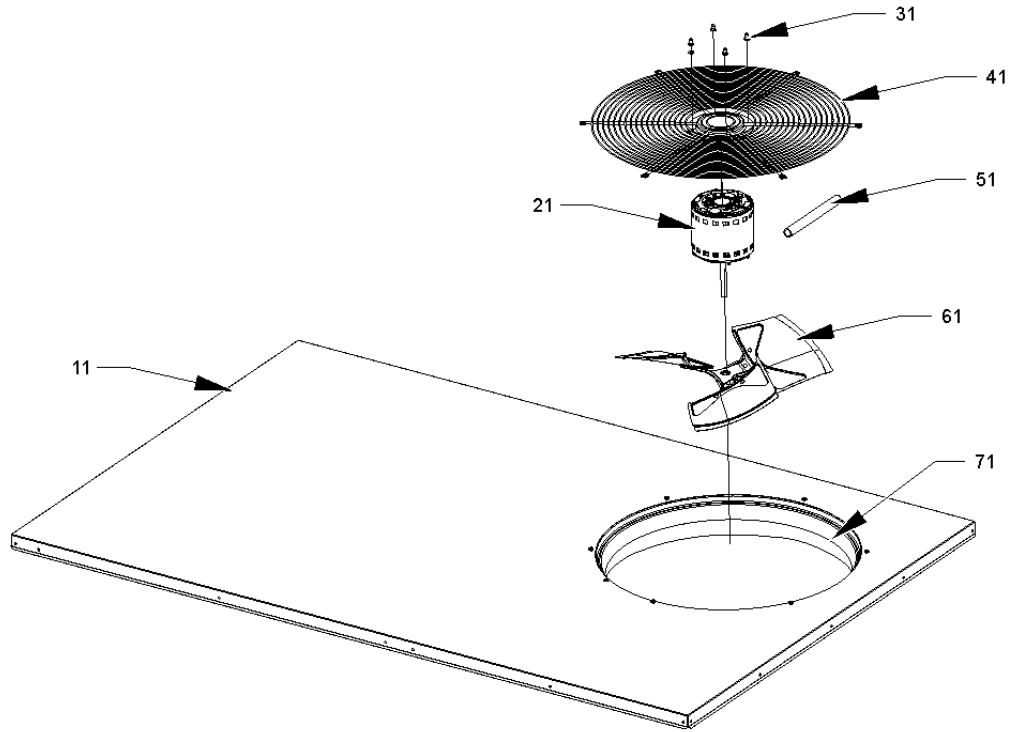
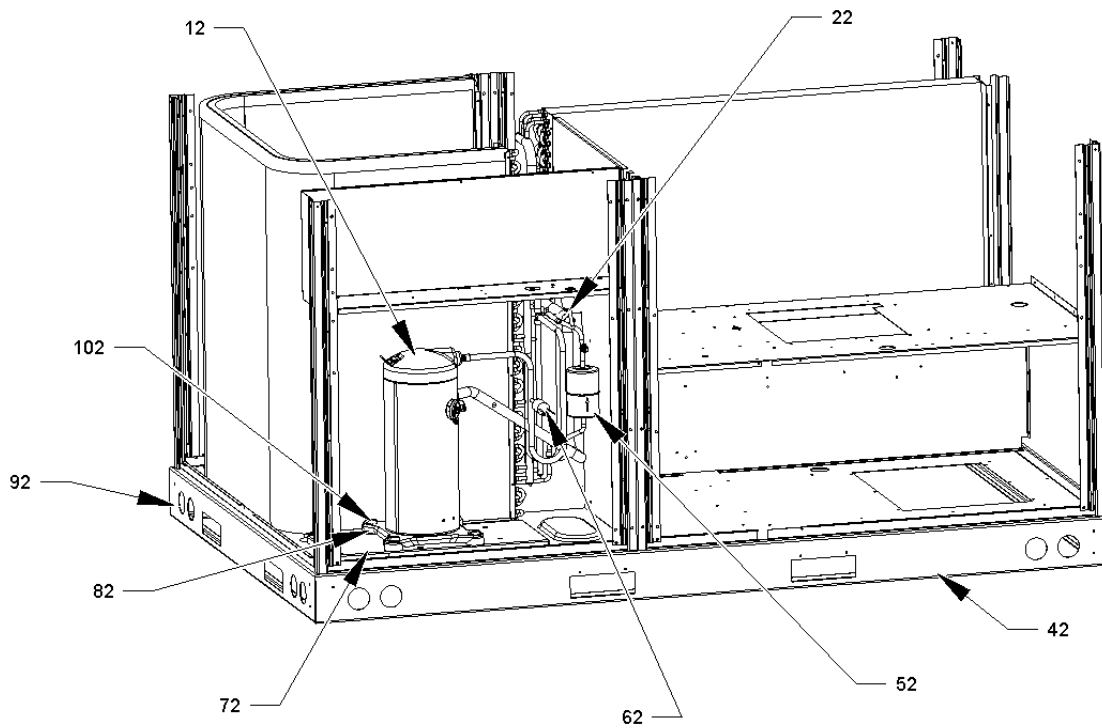


Image 2



Top Panel / Tubing Assy

Ref. Part No: No:	Description:	Ref. Part No: No:	Description:
-------------------	--------------	-------------------	--------------

Image 1:

11	0121L00235NG	TOP PANEL
21	0131M00429	COND MOTOR 1/4 HP, 1 SP,6 PL
31	0163M00006P	ACORN NUT 5/16 HEX BLACK (QTY 4)
41	0152G00003	FAN GRILLE
51	17788000083F	PVC CONDUIT 8.25"
61	0150G00001	FAN BLADE
71	0161L00000	VENTURI RING 22"
NS	0163M00004	SCREW #10X3/4", BLACK (QTY 3)
NS	0163M00005P	WASHER, BLACK (.50 OD .218ID) (QTY 4)

Image 2:

12	ZP51K5EPFV130	COMPRESSOR 51000, 208/230/60/1 (M1, M2)
12	ZP51K5ETF5130	COMPRESSOR 51000, 208/230/60/3 (M3, M4, M5, M6)
22	0130M00087	CUT-OUT SWITCH, LOW PRESSURE
42	0121L00244RF	SIDE RAIL (QTY 2)
52	0162R00009	FILTER DRIER
62	0130M00074	CUT-OUT SWITCH, HIGH PRESSURE
72	0121L00310	COMPRESSOR MOUNTING PLATE
82	B1339533	COMPRESSOR GROMMET (QTY 4)
92	0121L00245	END RAIL (QTY 2)
102	M0221641	TF SHOULDER SCREW (QTY 4)
NS	0159L00027	COMPRESSOR SCROLL HARNESS (M1, M2)
NS	0159L00028	COMPRESSOR SCROLL HARNESS (M3, M4, M5, M6)

Expanded Model Nomenclature

M1 - DCC060XXX1DXXXAA
M2 - DCC060XXX1DXXXAB
M3 - DCC060XXX3DHXXAA
M4 - DCC060XXX3DHXXAB
M5 - DCC060XXX3DXXXAA
M6 - DCC060XXX3DXXXAB

Cabinet Assy

Image 1

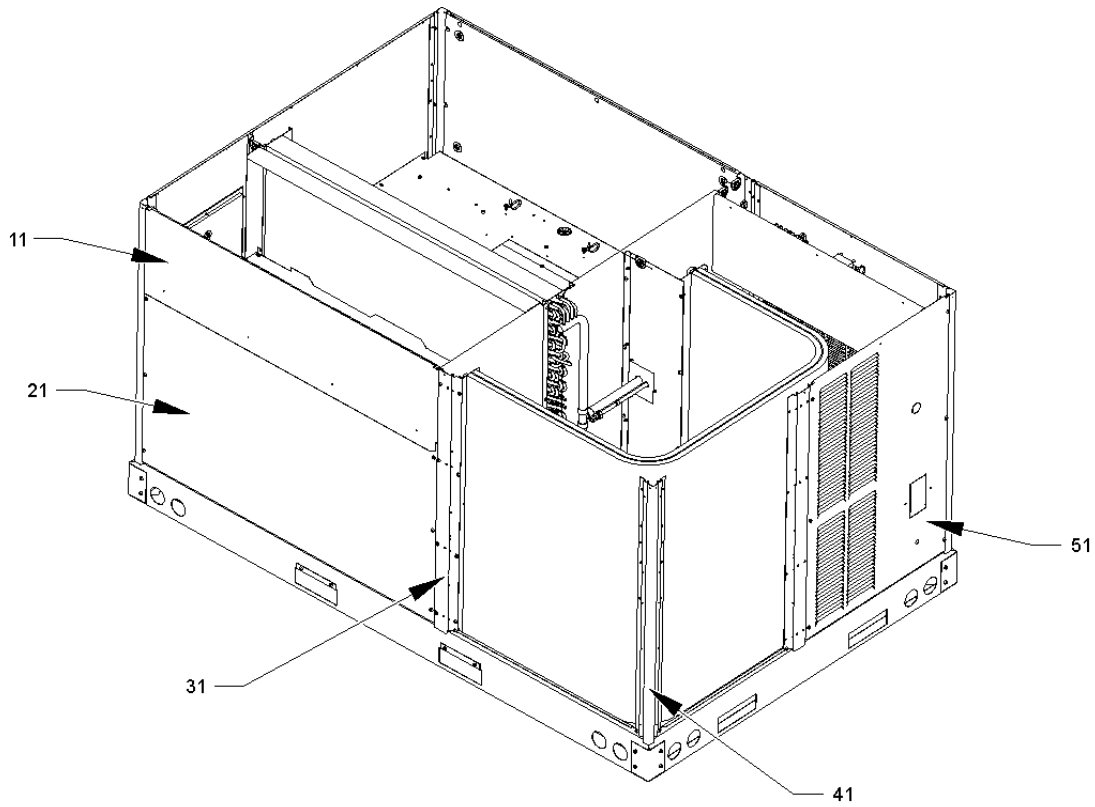
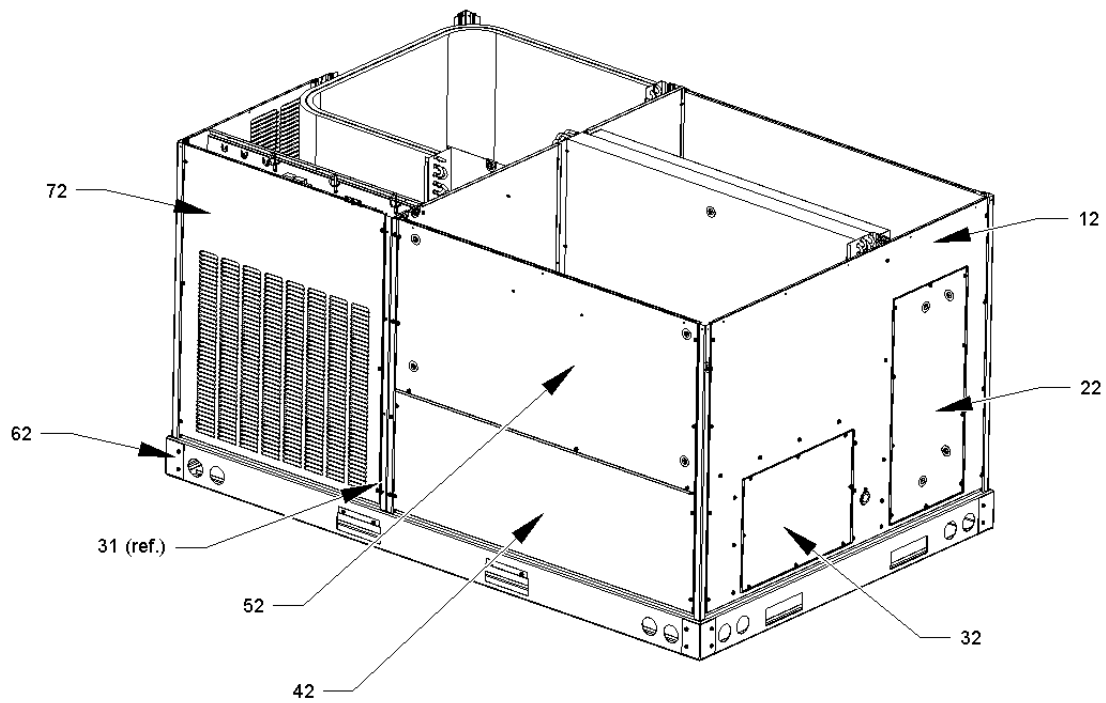


Image 2



Cabinet Assy

Ref. Part No: No:	Description:	Ref. Part No: No:	Description:
-------------------	--------------	-------------------	--------------

Image 1:

11	0270L00362NG	FILTER DOOR
21	0121L00976NG	ECONOMIZER DOOR
31	0121L00233RFNG	POST-SIDE SUPPORT (QTY 3)
41	0121L00237RFNG	CORNER POST (QTY 4)
51	0121L00263NG	LOUVERED COMPRESSOR PANEL
NS	0164L00009	GASKET-RUBBER, CPOST (QTY 3)
NS	0164L00011	GASKET-RUBBER, SIDE POST (QTY 2)

Image 2:

12	0121L00236NG	DUCT PANEL
22	0121L00023NG	RETURN DUCT COVER
32	0121L00024NG	SUPPLY DUCT COVER
42	0121L00279NG	ELECTRIC HEAT DOOR (M1, M3, M5)
52	0121L00259NG	BLOWER DOOR (M1, M3, M5)
62	0121G00301	RAIL CORNER BRACKET (QTY 4)
72	0121L00262NG	LOUVERED CONTROL PANEL (M1, M3, M5)

Expanded Model Nomenclature

- M1 - DCC060XXX1DXXXAA
- M2 - DCC060XXX1DXXXAB
- M3 - DCC060XXX3DHXXAA
- M4 - DCC060XXX3DHXXAB
- M5 - DCC060XXX3DXXXAA
- M6 - DCC060XXX3DXXXAB

Partition Assy

Image 1

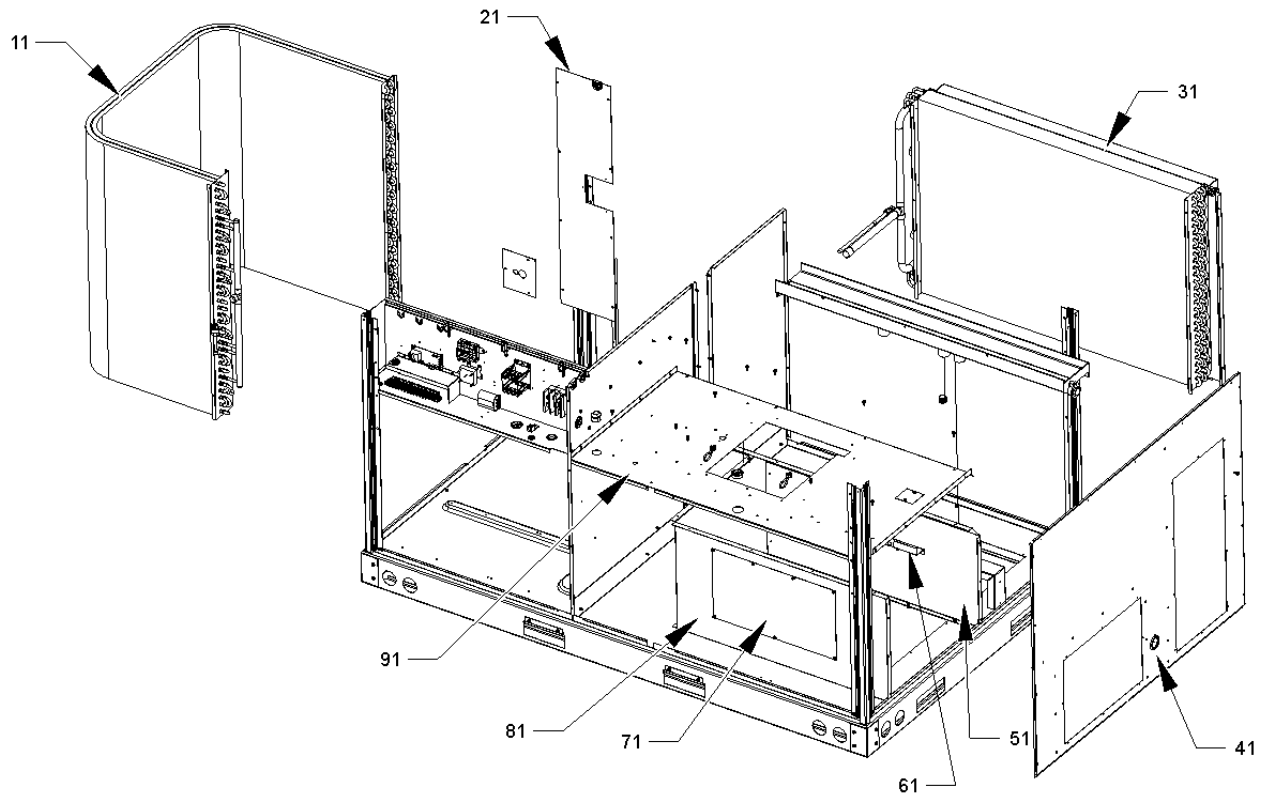
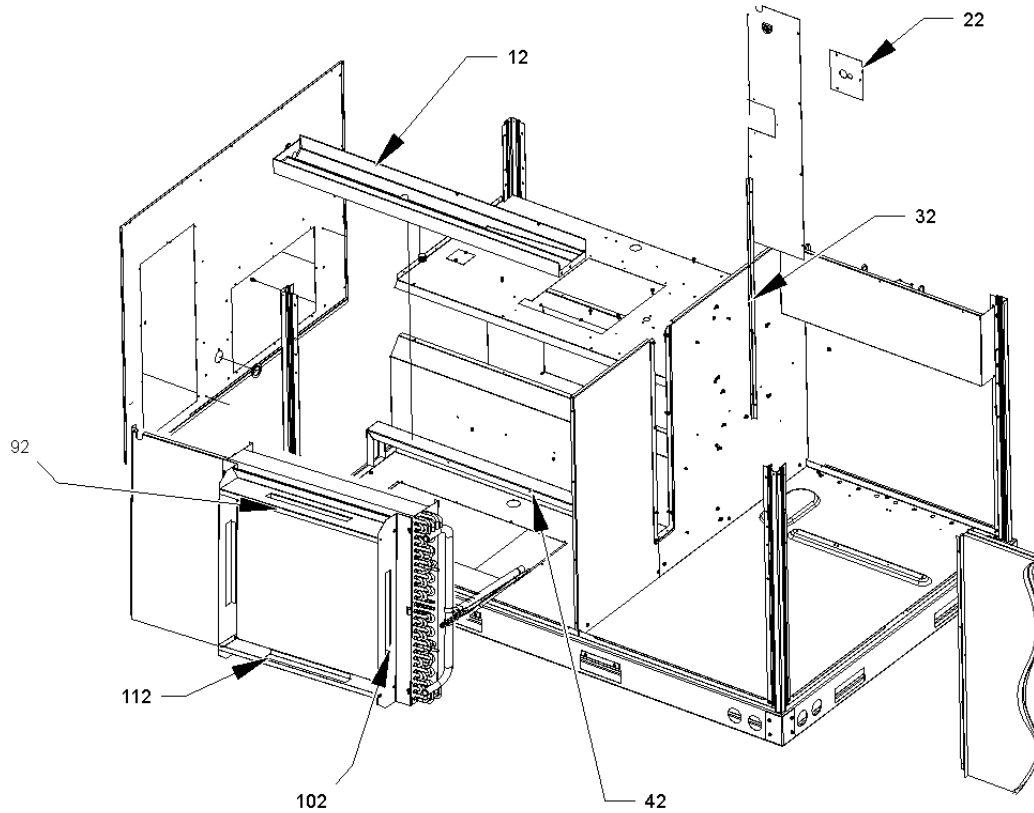


Image 2



Partition Assy

Ref. Part No: No:	Description:	Ref. Part No: No:	Description:
-------------------	--------------	-------------------	--------------

Image 1:

11	0201L00141	TUBING ASSY, COND COIL
21	0121L00882	BLOCKOFF-CONDENSER
31	0202L00020	TUBING ASSY, EVAP COIL
41	0154L00009	DRAIN PAN GASKET
51	0121L00243	DECK SIDE CHANNEL
61	0121L00288	ELECTRIC HEAT RETAINER
71	0121L00144	ELECTRIC HEAT COVER
81	0121L00256	ELECTRIC HEAT PANEL
91	0121L01107	BLOWER DECK (M2, M4, M6)
91	0121L01205	BLOWER DECK (M1, M3, M5)

Image 2:

12	0161L00005	DRAIN PAN
22	0121L00939	CONDENSER BLOCKOFF PLATE
32	0121L00254	COND MOUNTING ANGLE
42	0121L00238	DRAIN PAN SUPPORT
52	0121L00287	FILTER ANGLE-VERTICAL (RETURN SIDE)
62	0121L00298	FILTER ANGLE-HORIZONTAL (CENTER)
72	0121L00932	FILTER ANGLE-HORIZONTAL (QTY 2)
82	0121L00303	FILTER ANGLE-VERTICAL (HAIRPIN SIDE)
NS	0160L00008	FILTER 14 X 20 X 2 (QTY 4)

Expanded Model Nomenclature

M1 - DCC060XXX1DXXXAA
M2 - DCC060XXX1DXXXAB
M3 - DCC060XXX3DHXXAA
M4 - DCC060XXX3DHXXAB
M5 - DCC060XXX3DXXXAA
M6 - DCC060XXX3DXXXAB

Blower Assy / Control Box Assy

Image 1

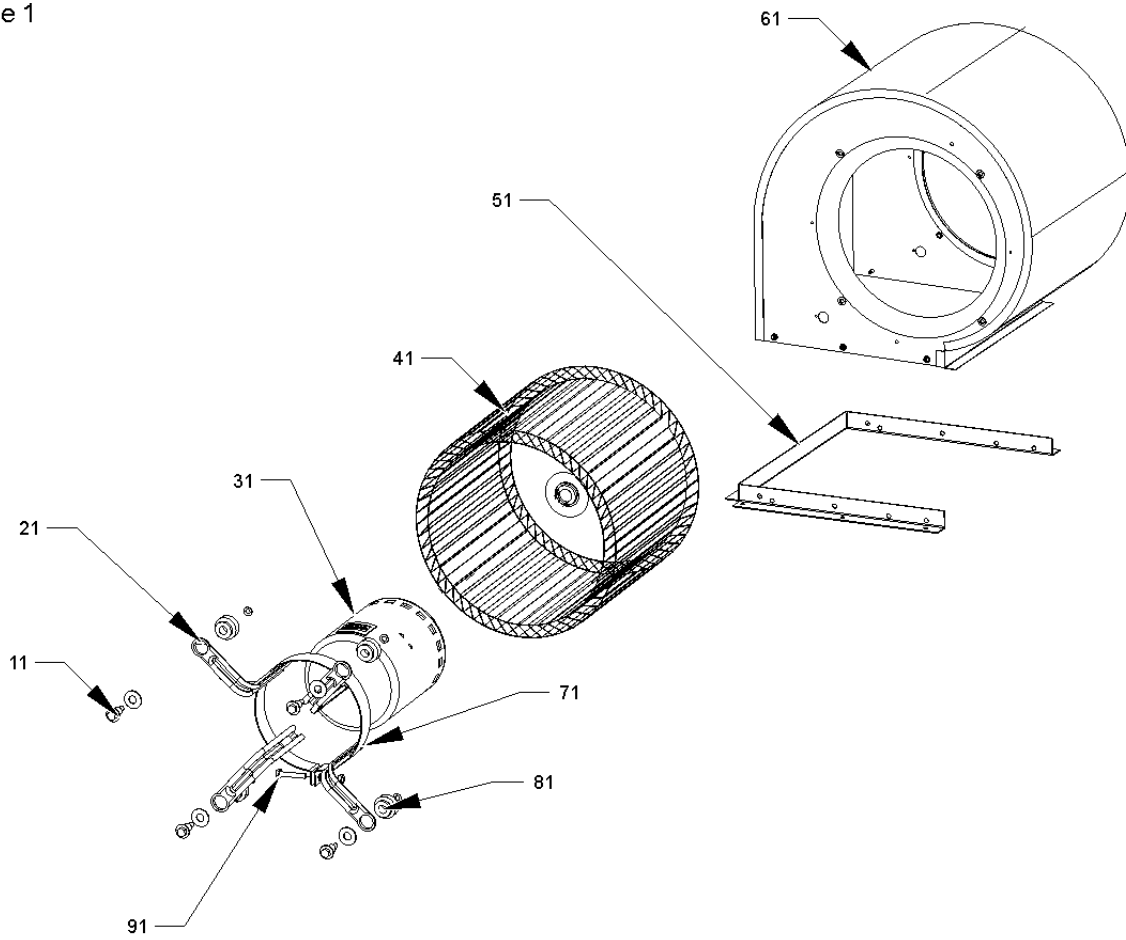
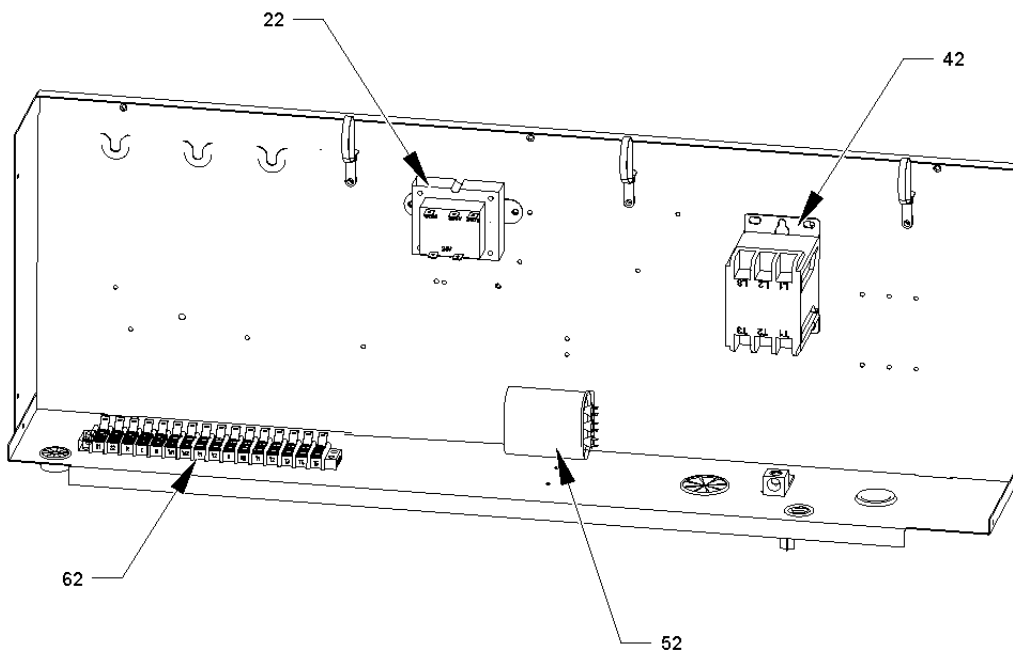


Image 2



Blower Assy / Control Box Assy

Ref. Part No: No:	Description:	Ref. Part No: No:	Description:
-------------------	--------------	-------------------	--------------

Image 1:

11	M0221461	TC SCREW (QTY 4)
21	10441501	MOTOR MOUNT ARM (QTY 4)
31	0131M00521	BLOWER MOTOR 1 HP
41	B1368000	BLOWER WHEEL 11 X 10
51	0121L00281	BLOWER MOUNTING ANGLE
61	11185811	BLOWER HOUSING 11 X 10
71	10441601	MOTOR MOUNT BAND
81	A4002702	BLOWER MOTOR GROMMET (QTY 4)
91	M0267144	MACHINE SCREW
NS	C6121807	BLOWER CUT-OFF

Image 2:

22	0130M00138	TRANSFORMER 208/230, 24V
42	CONT3P030024V	CONTACTOR 30 AMP, 3P, 24V (M3, M4, M5, M6)
42	CONT2P040024V	CONTACTOR 40 AMP, 2P, 24V (M1, M2)
52	CAP050000370LA	CAPACITOR 5/370V (M3, M4, M5, M6)
52	CAP050700440CT	CAPACITOR 5/70/440V/DUAL RD (M1, M2)
62	0130M00038	TERMINAL BOARD
NS	20520901	CAPACITOR STRAP (QTY 4)
NS	0259L00178	HARNESS, ECONOMIZER
NS	0259L00054	WIRING HARNESS
NS	0259L00058	WIRING HARNESS
NS	0259L00059	WIRING HARNESS

Expanded Model Nomenclature

M1 - DCC060XXX1DXXXAA
M2 - DCC060XXX1DXXXAB
M3 - DCC060XXX3DHXXAA
M4 - DCC060XXX3DHXXAB
M5 - DCC060XXX3DXXXAA
M6 - DCC060XXX3DXXXAB

Accessory Parts List

Accessory Parts

Ref. Part

No: No:

Description:

Ref. Part

No: No:

Description:

Image 2:

NS DSC100A38YD01FI DISCONNECT MUDULE ASSY (M3, M4)

Expanded Model Nomenclature

M1 - DCC060XXX1DXXXAA

M2 - DCC060XXX1DXXXAB

M3 - DCC060XXX3DHXXAA

M4 - DCC060XXX3DHXXAB

M5 - DCC060XXX3DXXXAA

M6 - DCC060XXX3DXXXAB