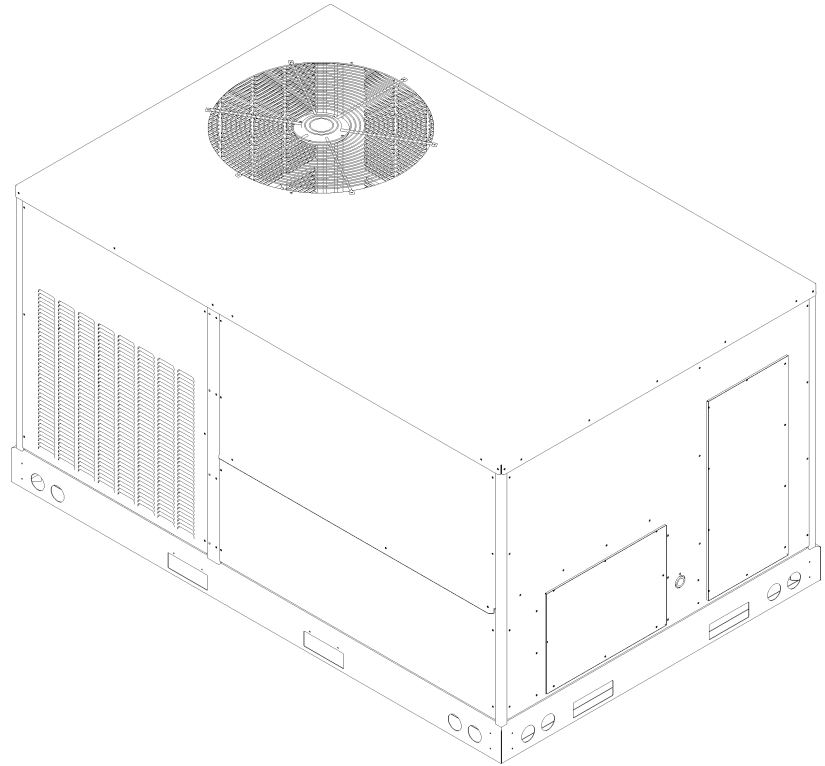


Commercial 4 Ton Package Cooling Unit

DCC0480103BHXAAB
DCC0480103BHXCAA
DCC0480103BHXXAA
DCC0480103BJXBAB
DCC0480103BJXFAA
DCC0480104BHXFAC
DCC0480104BJXTAC
DCC0480153BHXAAB
DCC0480154BHXJAC
DCC0480154BJDBAC
DCC048XXX3BJXAAA
DCC048XXX3BJXFAA
DCC048XXX3BJXMAA
DCC048XXX3BXXXAA
DCC048XXX4BHXXAB
DCC048XXX4BJXFAB
DCC048XXX4BJXGAB
DCC048XXX4BVXXAC
DCC048XXX4BXXBAB
DCC048XXX4BXXXAA
DCC048XXX4BXXXAB
DCC048XXX4BXXXAC
DCC048XXX7BHXAAA
DCC048XXX7BHXXAA
DCC048XXX7BXXXAA
DCC048XXX7BXXXAB



This manual is to be used by qualified technicians only.

This manual replaces RP-D1017K.

Important Information

Index

Functional Parts List	3
Illustration and Parts	4 - 13

Views shown are for parts illustrations only, not servicing procedures

Text Codes:

AR - As Required

NA - Not Available

NS - Not Shown

00000000 - See Note

QTY - Quantity Example (QTY 3) (If Quantity not shown, Quantity = 1)

M - Model Example (M1) (If M Code not shown, then part is used on all Models)

Expanded Model Nomenclature:

Example M1 - Model#1 M2 - Model#2 M3 - Model#3

Daikin Company, L.P. is not responsible for personal injury or property damage resulting from improper service. Review all service information before beginning repairs.

Warranty service must be performed by an authorized technician, using authorized factory parts. If service is required after the warranty expires, Daikin Company, L.P. also recommends contacting an authorized technician and using authorized factory parts.

Daikin Company, L.P. reserves the right to discontinue, or change at any time, specifications or designs without notice or without incurring obligations.

For assistance within the U.S.A. contact:

Homeowner Support
Daikin North America, LLC
19001 Kermier Road
Waller, Texas 77484
855-770-5678-Telephone
713-863-2382-Facsimile

For assistance outside the U.S.A. contact:

International Division
Daikin North America, LLC
19001 Kermier Road
Waller, Texas 77484
713-861-2500-Telephone
713-863-2382-Facsimile

Functional Parts

Part

No: Description:

B1368056	BELT DRIVE BLOWER WHEEL
0131L00003	BELT DRIVE MOTOR 1 HP (M1, M2, M3, M4, M5, M6, M7, M8, M9, M10, M11, M12, M17, M18, M19, M20, M21, M22, M23, M24, M25, M26)
0131L00004	BELT DRIVE MOTOR 1.5 HP 575V (M13, M14, M15, M16)
CAP030000440LA	CAPACITOR 3/440V (M16)
CAP050000370LA	CAPACITOR 5/370V (M1, M2, M3, M4, M10, M13, M14, M15, M17, M18, M19, M20, M21, M24)
CAP075000370LA	CAPACITOR 7.5/370V (M5, M6, M7, M8, M9, M11, M12, M22, M23, M25, M26)
ZP39K5ETF5130	COMPRESSOR 39000, 200/230/60/3 (M1, M2, M3, M4, M17, M18, M19, M20, M21, M24)
ZP39K5ETFD130	COMPRESSOR 39000, 460/60/3 (M5, M6, M7, M8, M9, M10, M11, M12, M22, M23, M25, M26)
ZP39K5ETFE130	COMPRESSOR 39000, 575/60/3 (M13, M14, M15, M16)
0131M00429	COND MOTOR 1/4 HP, 1 SP, 6 PL (M1, M2, M3, M4, M17, M18, M19, M20, M21, M24)
B13400269	COND MOTOR 380/460 50/60 CYCLE (M10)
0131M00432	COND MOTOR 380/460/50/60 CYCLE (M5, M6, M7, M8, M9, M11, M12, M22, M23, M25, M26)
0131M00098	COND MOTOR 575V (M13, M14, M15)
0131M00431	COND MOTOR 575V (M16)
CONT3P025024V	CONTACTOR 25 AMP, 3P, 24V (M5, M6, M7, M8, M9, M10, M11, M12, M13, M14, M15, M16, M22, M23, M25, M26)
CONT3P030024V	CONTACTOR 30 AMP, 3P, 24V (M1, M2, M3, M4, M17, M18, M19, M20, M21, M24)
0130M00209	CUT-OUT SWITCH, HIGH PRESSURE
0130L00007	CUT-OUT SWITCH, LOW PRESSURE
PCBFM103	ELECTRONIC BLOWER TIME DELAY
0164L00010	FAN BELT, NOTCHED
0150G00004	FAN BLADE
0130M00038	TERMINAL BOARD
0130M00138	TRANSFORMER 208/230, 24V (M1, M2, M3, M4, M17, M18, M19, M20, M21, M24)
0130M00145	TRANSFORMER 480V to 24V, 75VA (M5, M6, M7, M8, M9, M10, M11, M12, M22, M23, M25, M26)
0130M00148	TRANSFORMER 575V to 24V, 75VA (M13, M14, M15, M16)

Expanded Model Nomenclature

M1 - DCC048XXX3BJXAAA
M2 - DCC048XXX3BJXFAA
M3 - DCC048XXX3BJXMAA
M4 - DCC048XXX3BXXXAA
M5 - DCC048XXX4BHXXAB
M6 - DCC048XXX4BJXFAB
M7 - DCC048XXX4BJXGAB
M8 - DCC048XXX4BVXXAC
M9 - DCC048XXX4BXXBAB
M10 - DCC048XXX4BXXXAA
M11 - DCC048XXX4BXXXAB
M12 - DCC048XXX4BXXXAC
M13 - DCC048XXX7BHXAAA
M14 - DCC048XXX7BHXXAA
M15 - DCC048XXX7BXXXAA
M16 - DCC048XXX7BXXXAB
M17 - DCC0480103BHXAAB
M18 - DCC0480103BHXCAA
M19 - DCC0480103BHXXAA
M20 - DCC0480103BJXBAB
M21 - DCC0480103BJXFAA
M22 - DCC0480104BHXFAC
M23 - DCC0480104BJXTAC
M24 - DCC0480153BHXAAB
M25 - DCC0480154BHXXAC
M26 - DCC0480154BJDBAC

Top Panel and Tubing Assy

IMAGE 1

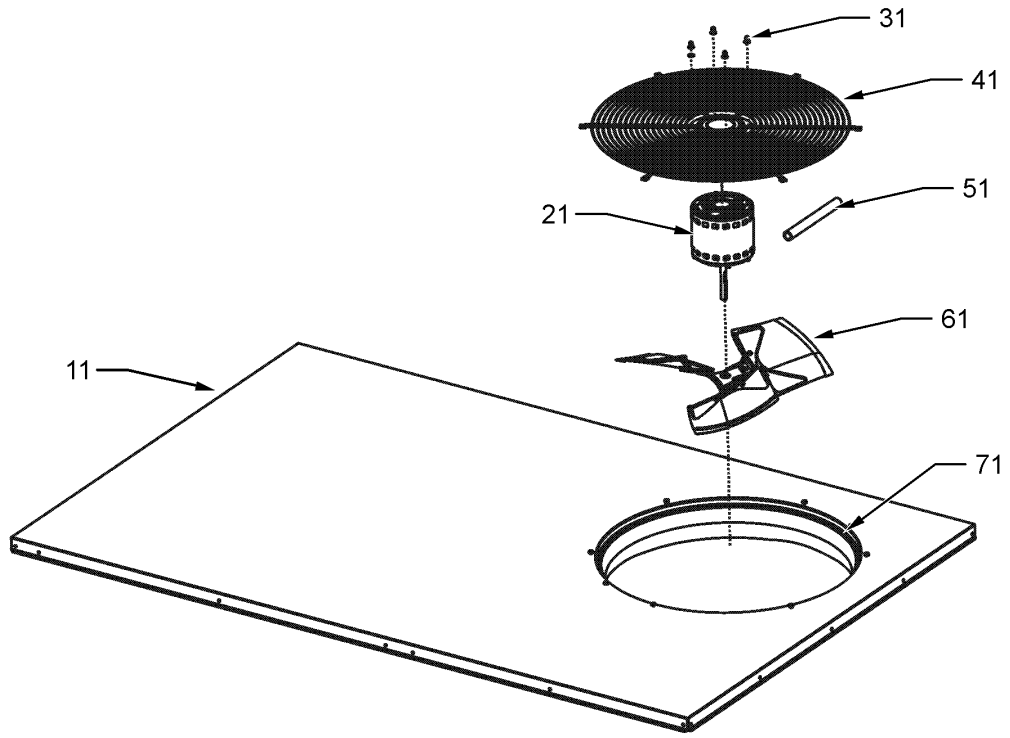
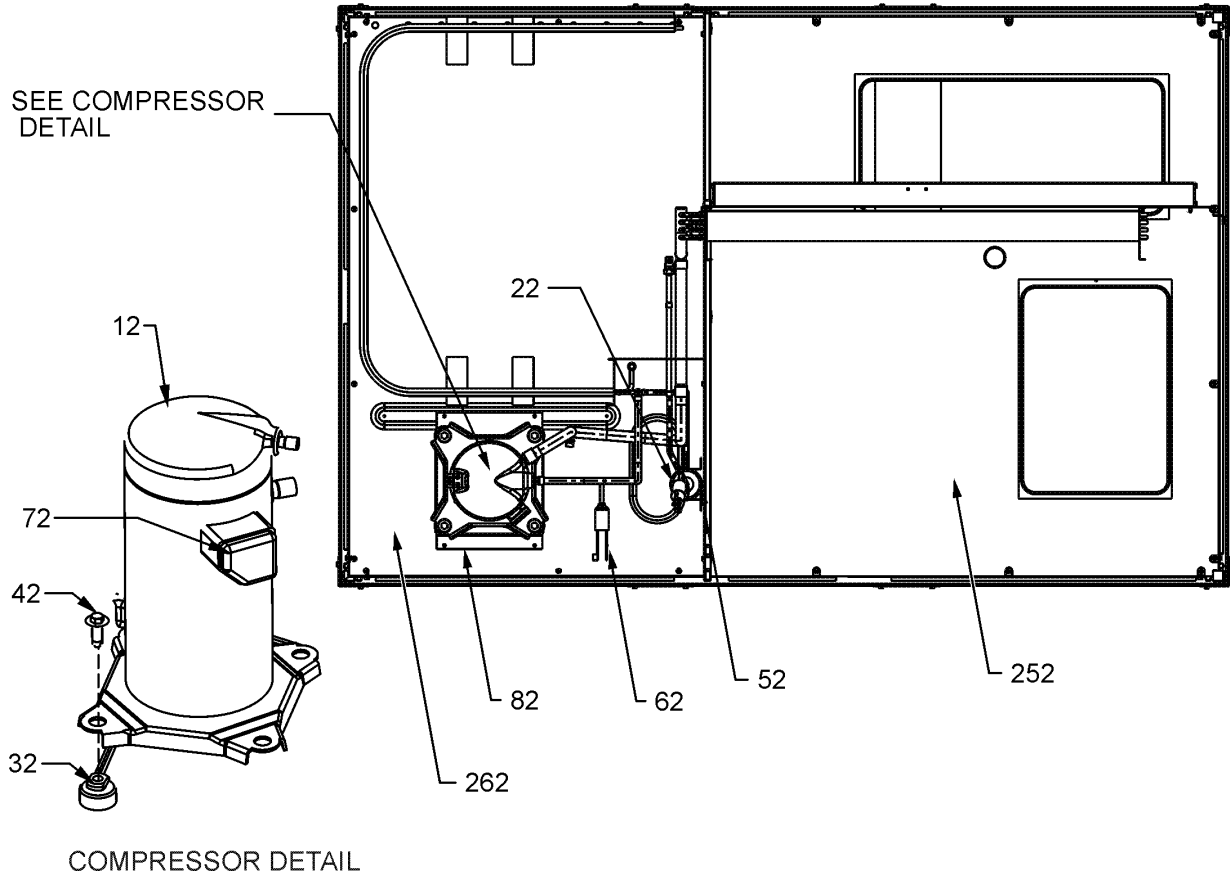


IMAGE 2



Top Panel and Tubing Assy

Ref. Part No: No:	Description:	Ref. Part No: No:	Description:
Image 1:		Expanded Model Nomenclature	
11	0121L00235NG TOP PANEL	M1	DCC048XXX3BJXAAA
21	0131M00429 COND MOTOR 1/4 HP, 1 SP,6 PL (M1, M2, M3, M4, M17, M18, M19, M20, M21, M24)	M2	DCC048XXX3BJXFAA
21	B13400269 COND MOTOR 380/460 50/60 CYCLE (M10)	M3	DCC048XXX3BJXMAA
21	0131M00432 COND MOTOR 380/460/50/60 CYCLE (M5, M6, M7, M8, M9, M11, M12, M22, M23, M25, M26)	M4	DCC048XXX3BXXXAA
21	0131M00098 COND MOTOR 575V (M13, M14, M15)	M5	DCC048XXX4BHXXAB
21	0131M00431 COND MOTOR 575V (M16)	M6	DCC048XXX4BJXFAB
31	0163M00006P ACORN NUT 5/16 HEX BLACK (QTY 4)	M7	DCC048XXX4BJXGAB
41	0152G00003 FAN GRILLE	M8	DCC048XXX4BVXXAC
51	17788000083F PVC CONDUIT 8.25"	M9	DCC048XXX4BXXBAB
61	0150G00004 FAN BLADE	M10	DCC048XXX4BXXXAA
71	0161L00000 VENTURI RING 22"	M11	DCC048XXX4BXXXAB
NS	0163M00004 SCREW #10X3/4", BLACK (QTY 8)	M12	DCC048XXX4BXXXAC
NS	0163M00005P WASHER, BLACK (.50 OD .218ID) (QTY 4)	M13	DCC048XXX7BHXXXXA
Image 2:		M14	DCC048XXX7BHXXAA
12	ZP39K5ETF5130 COMPRESSOR 39000, 200/230/60/3 (M1, M2, M3, M4, M17, M18, M19, M20, M21, M24)	M15	DCC048XXX7BXXXAA
12	ZP39K5ETFD130 COMPRESSOR 39000, 460/60/3 (M5, M6, M7, M8, M9, M10, M11, M12, M22, M23, M25, M26)	M16	DCC048XXX7BXXXAB
12	ZP39K5ETFE130 COMPRESSOR 39000, 575/60/3 (M13, M14, M15, M16)	M17	DCC0480103BHXAAB
22	0130L00007 CUT-OUT SWITCH, LOW PRESSURE	M18	DCC0480103BHXCAB
32	B1339533 COMPRESSOR GROMMET (QTY 4)	M19	DCC0480103BHXXAA
42	M0221641 TF SHOULDER SCREW (QTY 4)	M20	DCC0480103BJXBAB
52	B1219225 SINGLE-FLOW FILTER DRIER, STEEL	M21	DCC0480103BJXFAA
62	0130M00209 CUT-OUT SWITCH, HIGH PRESSURE	M22	DCC0480104BHXFAC
72	0159L00028 COMPRESSOR SCROLL HARNESS	M23	DCC0480104BJXTAC
82	0121L00310 COMPRESSOR MOUNTING PLATE	M24	DCC0480153BHXAAB
252	0121L00943 BASE PAN - INDOOR	M25	DCC0480154BHXXAC
262	0121L01307 BASE PAN - OUTDOOR	M26	DCC0480154BJDBAC

Cabinet Assy

IMAGE 1

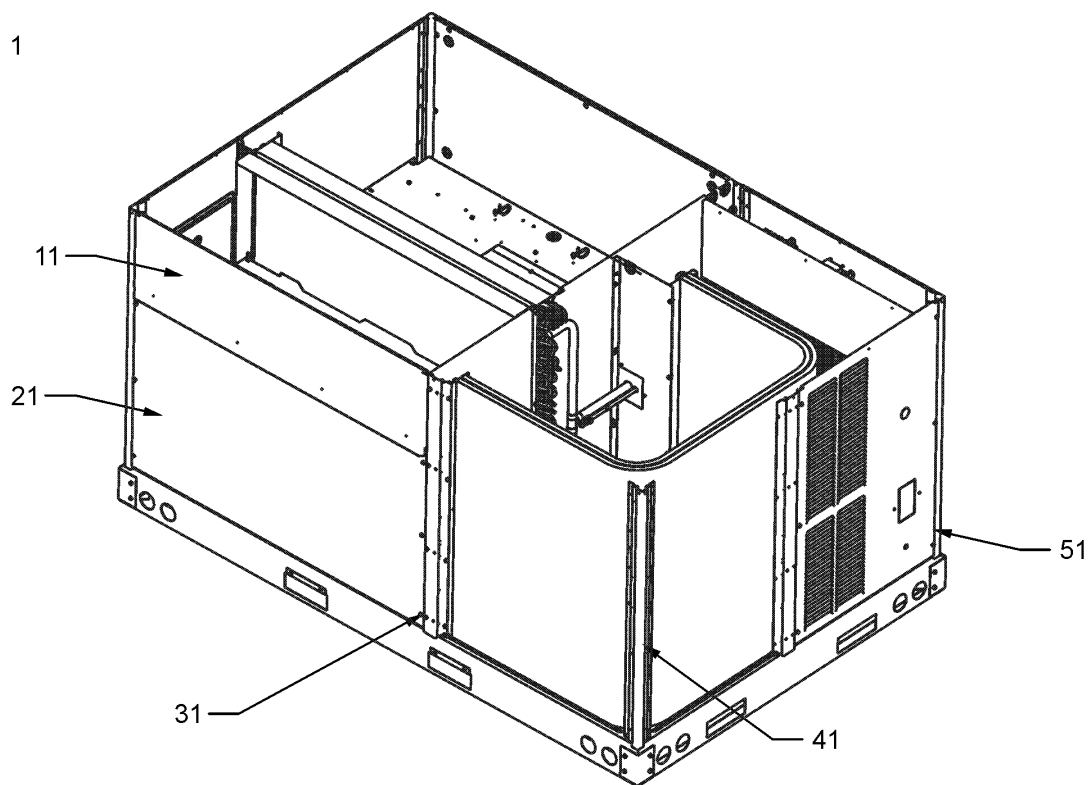
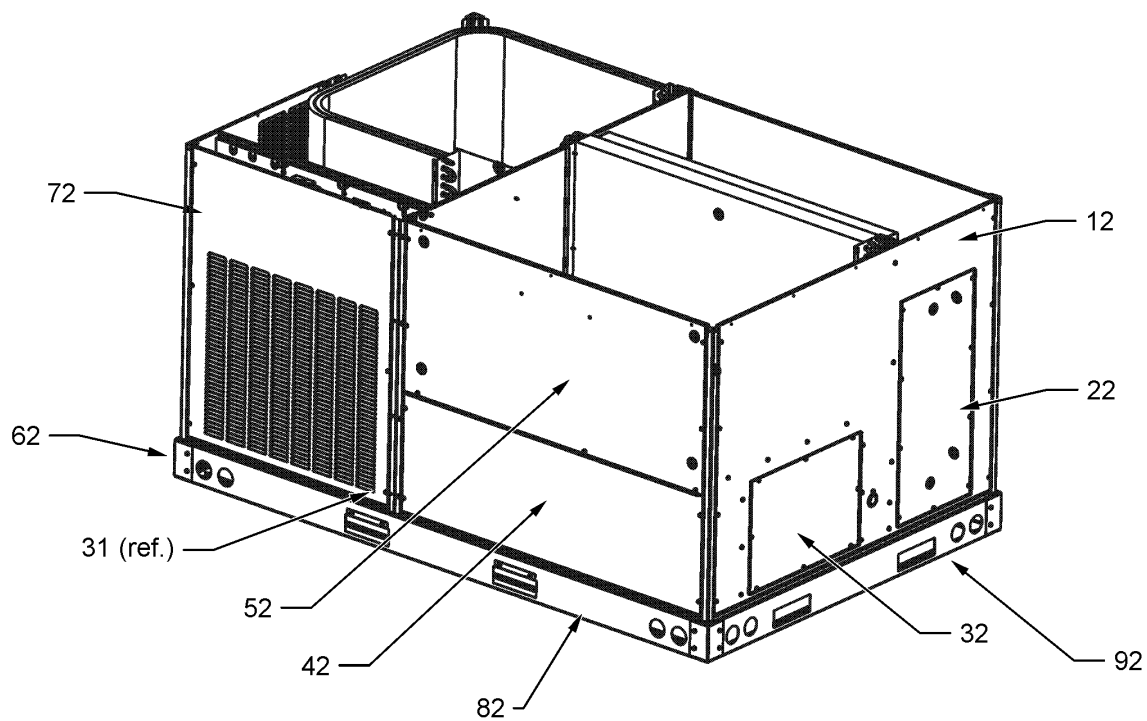


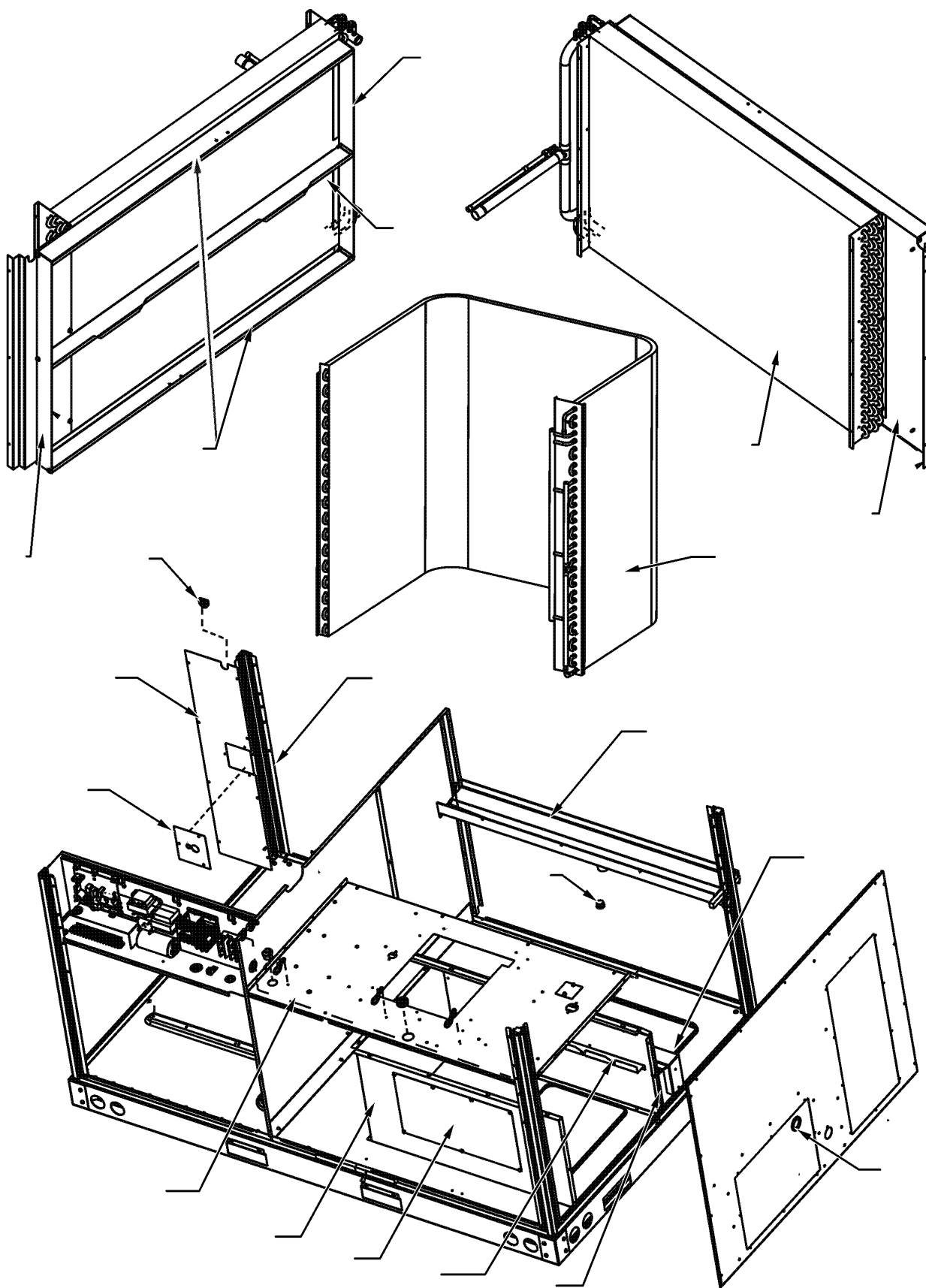
IMAGE 2



Cabinet Assy

Ref. Part No: No:	Description:	Ref. Part No: No:	Description:
Image 1:		Expanded Model Nomenclature	
11	0270L00362NG FILTER DOOR	M1 - DCC048XXX3BJXAAA	
21	0121L00976NG ECONOMIZER DOOR (M4, M5, M9, M10, M11, M12, M13, M14, M15, M16, M17, M18, M19, M22, M24, M25)	M2 - DCC048XXX3BJXFAA	
31	0121L00233RFNG POST-SIDE SUPPORT (QTY 3)	M3 - DCC048XXX3BJXMAA	
31	0121L01159RFNG POST-SIDE SUPPORT (M8, M12, M16, M17, M20, M22, M23, M24, M25)	M4 - DCC048XXX3BXXXAA	
31	0121L01374RFNG POST-SIDE SUPPORT (M26)	M5 - DCC048XXX4BHXXAB	
41	0121L00237RFNG CORNER POST (QTY 4)	M6 - DCC048XXX4BJXFAB	
41	0121L01375RFNG CORNER POST (M26)	M7 - DCC048XXX4BJXGAB	
51	0121L00263NG LOUVERED COMPRESSOR PANEL (M4, M8, M9, M10, M11, M12, M15, M16)	M8 - DCC048XXX4BVXXAC	
51	0121L00836NG LOUVERED COMPRESSOR PANEL (M1, M2, M3, M5, M6, M7, M13, M14, M17, M18, M19, M20, M21, M22, M23, M24, M25, M26)	M9 - DCC048XXX4BXXBAB	
NS	0121L00338 ECONOMIZER COVER (M8)	M10 - DCC048XXX4BXXXAA	
NS	0121L01309 ECONOMIZER COVER (M1, M2, M3, M6, M7, M20, M21, M23, M26)	M11 - DCC048XXX4BXXXAB	
NS	0164L00009 GASKET-RUBBER, CPOST (QTY 3)	M12 - DCC048XXX4BXXXAC	
NS	0164L00011 GASKET-RUBBER, SIDE POST (QTY 2)	M13 - DCC048XXX7BHXAAA	
Image 2:		M14 - DCC048XXX7BHXXAA	
12	0121L00236NG DUCT PANEL	M15 - DCC048XXX7BXXXAA	
22	0121L00023NG RETURN DUCT COVER	M16 - DCC048XXX7BXXXAB	
32	0121L00024NG SUPPLY DUCT COVER	M17 - DCC0480103BHXAAB	
42	0121L00279NG ELECTRIC HEAT DOOR (M1, M2, M3, M4, M5, M6, M7, M9, M10, M11, M13, M14, M15, M18, M19, M21)	M18 - DCC0480103BHXCAA	
42	0121L01176NG ELECTRIC HEAT DOOR (M8, M12, M16, M17, M20, M22, M23, M24, M25, M26)	M19 - DCC0480103BHXXAA	
52	0121L00259NG BLOWER DOOR (M1, M2, M3, M4, M5, M6, M7, M9, M10, M11, M13, M14, M15, M18, M19, M21)	M20 - DCC0480103BJXBAB	
52	0121L01157NG BLOWER DOOR (M8, M12, M16, M17, M20, M22, M23, M24, M25, M26)	M21 - DCC0480103BJXFAA	
62	0121G00301 RAIL CORNER BRACKET (QTY 4)	M22 - DCC0480104BHXFAC	
72	0121L00262NG LOUVERED CONTROL PANEL (M1, M2, M3, M4, M5, M6, M7, M9, M10, M11, M13, M14, M15, M18, M19, M21)	M23 - DCC0480104BJXTAC	
72	0121L01121NG LOUVERED CONTROL PANEL (M8, M12, M16, M17, M20, M22, M23, M24, M25)	M24 - DCC0480153BHXAAB	
72	0121L01327NG LOUVERED CONTROL PANEL (M26)	M25 - DCC0480154BHJAC	
82	0121L00244RF SIDE RAIL (QTY 2)	M26 - DCC0480154BJDBAC	
92	0121L00245 END RAIL (QTY 2)		
NS	0141L00003X FORK BOARD (QTY 2)		
NS	0121L00055 FORK BOARD BRACKET (QTY 4)		
NS	B1392139 VIEW PORT BUSHING-BLOWER DOOR (M26)		

Partition, Condenser and Evaporator Assy



Partition, Condenser and Evaporator Assy

Ref. Part No:	Description:	Ref. Part No:	Description:
Image 1:		Expanded Model Nomenclature	
11	0201L00036 TUBING ASSY, COND COIL	M1	- DCC048XXX3BJXAAA
21	0202L00029 TUBING ASSY, EVAP COIL	M2	- DCC048XXX3BJXFAA
31	0121L00313 BLOCKOFF-EVAPORATOR (M1, M2, M3, M4, M5, M6, M8, M9, M10, M11, M12, M13, M14, M15, M16, M17, M18, M19, M20, M21, M22, M24, M26)	M3	- DCC048XXX3BJXMAA
31	0121L00336 BLOCKOFF-EVAPORATOR (M7, M23, M25)	M4	- DCC048XXX3BXXXAA
41	0121L00303 FILTER ANGLE-VERTICAL (HAIRPIN SIDE)	M5	- DCC048XXX4BHXXAB
51	0121L00287 FILTER ANGLE-VERTICAL (RETURN SIDE)	M6	- DCC048XXX4BJXFAB
61	0121L00932 FILTER ANGLE-HORIZONTAL (QTY 2)	M7	- DCC048XXX4BJXGAB
71	0121L01255 ANGLE-FILTER CENTER	M8	- DCC048XXX4BVXXAC
211	0121L00311 COND BLOCK-OFF	M9	- DCC048XXX4BXXBAB
221	0121L00939 CONDENSER BLOCKOFF PLATE	M10	- DCC048XXX4BXXXAA
231	0121L00238 DRAIN PAN SUPPORT	M11	- DCC048XXX4BXXXAB
241	0161L00005 DRAIN PAN	M12	- DCC048XXX4BXXXAC
251	0121L00243 DECK SIDE CHANNEL	M13	- DCC048XXX7BHXXAA
261	0121L00254 COND MOUNTING ANGLE	M14	- DCC048XXX7BHXXAA
321	0163L00071 DRAIN PLUG	M15	- DCC048XXX7BXXXAA
331	0154L00009 DRAIN PAN GASKET	M16	- DCC048XXX7BXXXAB
451	0121L00288 ELECTRIC HEAT RETAINER	M17	- DCC0480103BHXAAB
461	0121L00144 ELECTRIC HEAT COVER	M18	- DCC0480103BHXCAA
471	0121L00256 ELECTRIC HEAT PANEL	M19	- DCC0480103BHXXAA
481	0121L01205 BLOWER DECK (M1, M2, M3, M4, M5, M6, M7, M9, M10, M11, M13, M14, M15, M18, M19, M21)	M20	- DCC0480103BJXBAB
481	0121L01442 BLOWER DECK (M8, M12, M16, M17, M20, M22, M23, M24, M25, M26)	M21	- DCC0480103BJXFAA
491	A4568804 GROMMET-D (QTY 4)	M22	- DCC0480104BHXFAC
NS	0160L00173 AIR FILTER 14 X 20 X 2 (QTY 4)	M23	- DCC0480104BJXTAC
NS	0121L01377 BLOWER DECK SUPPORT (M26)	M24	- DCC0480153BHXAAB
NS	0121L00321 SMOKE DETECTOR COVER	M25	- DCC0480154BHJAC
		M26	- DCC0480154BJDBAC

Belt Drive and Control Box Assy

IMAGE 1

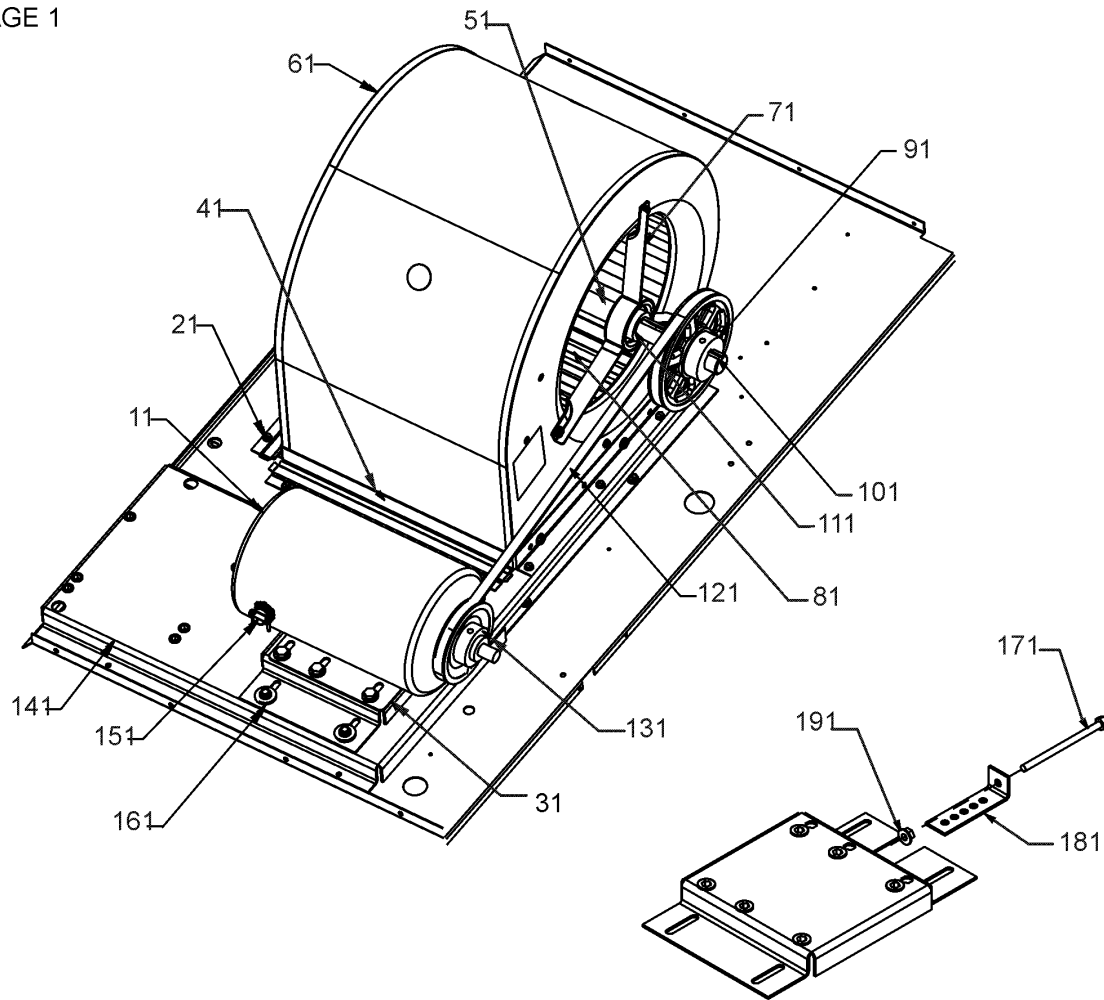
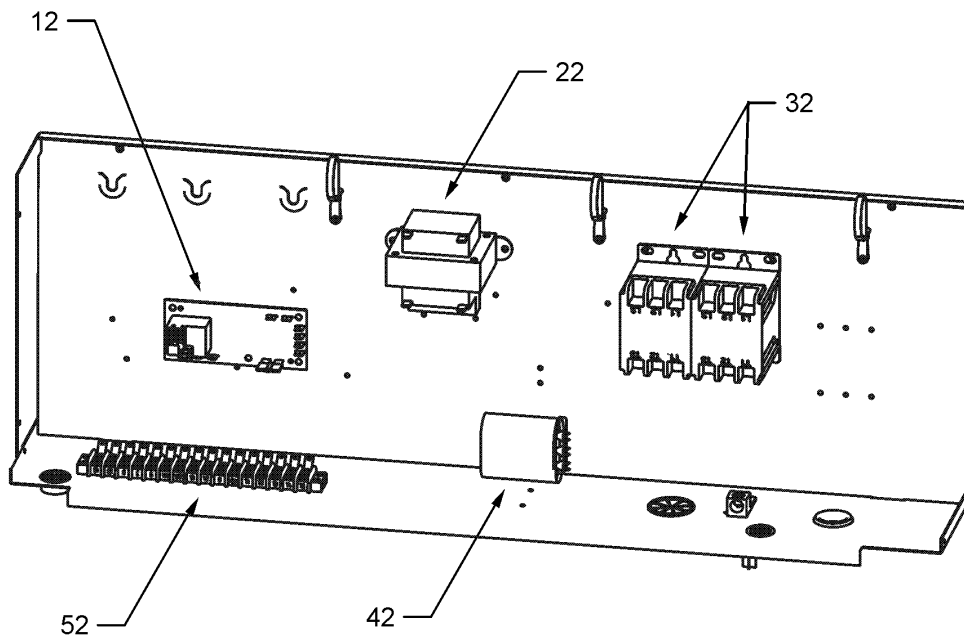


IMAGE 2



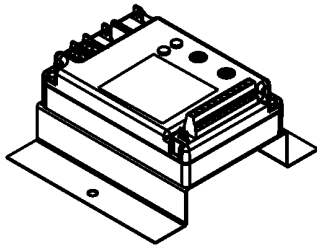
Belt Drive and Control Box Assy

Ref. Part No: No:	Description:	Ref. Part No: No:	Description:
Image 1:		Expanded Model Nomenclature	
11	0131L00003 BELT DRIVE MOTOR 1 HP (M1, M2, M3, M4, M5, M6, M7, M8, M9, M10, M11, M12, M17, M18, M19, M20, M21, M22, M23, M24, M25, M26)	M1 - DCC048XXX3BJXAAA	
11	0131L00004 BELT DRIVE MOTOR 1.5 HP 575V (M13, M14, M15, M16)	M2 - DCC048XXX3BJXFAA	
11	PCBFM103 ELECTRONIC BLOWER TIME DELAY	M3 - DCC048XXX3BJXMAA	
21	0121L00297 BLOWER SIDE ANGLE (QTY 3)	M4 - DCC048XXX3BXXXAA	
21	0130M00138 TRANSFORMER 208/230, 24V (M1, M2, M3, M4, M17, M18, M19, M20, M21, M24)	M5 - DCC048XXX4BHXXAB	
21	0130M00145 TRANSFORMER 480V to 24V, 75VA (M5, M6, M7, M8, M9, M10, M11, M12, M22, M23, M25, M26)	M6 - DCC048XXX4BJXFAB	
21	0130M00148 TRANSFORMER 575V to 24V, 75VA (M13, M14, M15, M16)	M7 - DCC048XXX4BJXGAB	
31	CONT3P025024V CONTACTOR 25 AMP, 3P, 24V (M5, M6, M7, M8, M9, M10, M11, M12, M13, M14, M15, M16, M22, M23, M25, M26)	M8 - DCC048XXX4BVXXAC	
31	CONT3P030024V CONTACTOR 30 AMP, 3P, 24V (M1, M2, M3, M4, M17, M18, M19, M20, M21, M24)	M9 - DCC048XXX4BXXBAB	
31	0121L00899 MOTOR BASE	M10 - DCC048XXX4BXXXAA	
41	0121L00281 BLOWER MOUNTING ANGLE	M11 - DCC048XXX4BXXXAB	
41	CAP030000440LA CAPACITOR 3/440V (M16)	M12 - DCC048XXX4BXXXAC	
41	CAP050000370LA CAPACITOR 5/370V (M1, M2, M3, M4, M10, M13, M14, M15, M17, M18, M19, M20, M21, M24)	M13 - DCC048XXX7BHXAAA	
41	CAP075000370LA CAPACITOR 7.5/370V (M5, M6, M7, M8, M9, M11, M12, M22, M23, M25, M26)	M14 - DCC048XXX7BHXXAA	
51	0163L00005 BELT DRIVE BLOWER SHAFT	M15 - DCC048XXX7BXXXAA	
51	0130M00038 TERMINAL BOARD	M16 - DCC048XXX7BXXXAB	
61	2539302F BLOWER HOUSING 11 X 10	M17 - DCC0480103BHXAAB	
71	B3201300 MOUNTING BRACKET BEARING (QTY 2)	M18 - DCC0480103BHXCAA	
81	B1368056 BELT DRIVE BLOWER WHEEL	M19 - DCC0480103BHXXAA	
91	B3204310 FIXED SHEAVE AK66	M20 - DCC0480103BJXBAB	
101	B1398604 STEEL KEY (000158812) 2.0"	M21 - DCC0480103BJXFAA	
111	B1399500 BALL BEARING 1.00" (QTY 2)	M22 - DCC0480104BHXFAC	
121	0164L00010 FAN BELT, NOTCHED	M23 - DCC0480104BJXTAC	
131	B2120001 VARIABLE PITCH SHEAVE 1VL44 X 3/8"	M24 - DCC0480153BHXAAB	
141	0121L01203 BLOWER PLATE SUPPORT	M25 - DCC0480154BHXXAC	
151	B1393726 ELECT. CONNECTING BUSHING	M26 - DCC0480154BJDBAC	
161	B1393738 BOLT 1/4-20 X 3/4" (QTY 8)		
171	0163M00045 BOLT 1/4-20 X 4"		
181	3225000F BELT TIGHTENER ANGLE		
191	B1393023 NUT / LOCK .25-20		
NS	1864703F BLOWER CUT-OFF		
NS	20520901 CAPACITOR STRAP		
NS	0259L00178 HARNESS, ECONOMIZER		
NS	0259L00092 HARNESS-SMOKE DETECTOR SENSOR (M23, M25)		
NS	B1398603 STEEL KEY (000158812) 4.5"		
NS	0259L00090 WIRE HARNESS-SMOKE DETECTOR (M23, M25)		
NS	0259L00054 WIRING HARNESS (M1, M2, M3, M4, M13, M14, M15, M16, M17, M18, M19, M20, M21, M24)		
NS	0259L00060 WIRING HARNESS (M5, M6, M7, M8, M9, M10, M11, M12, M22, M23, M25, M26)		
NS	0259L00061 WIRING HARNESS		
NS	0259L00064 WIRING HARNESS		
NS	0259L00065 WIRING HARNESS		

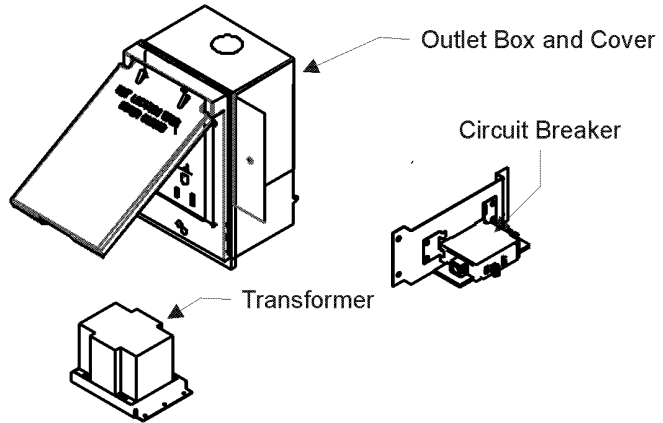
ACCESSORY PARTS LIST

NOTE: NOT ALL OPTIONS AVAILABLE FOR ALL PRODUCTS

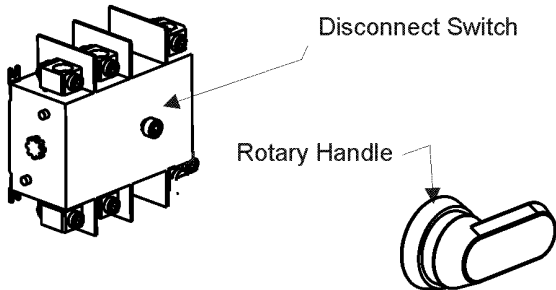
1 LOW AMBIENT KITS



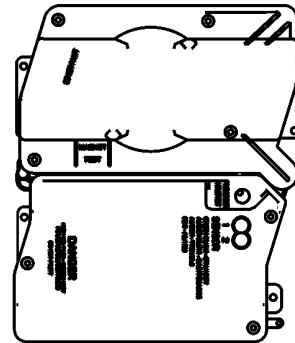
2 GFCI CONVENIENCE OUTLET



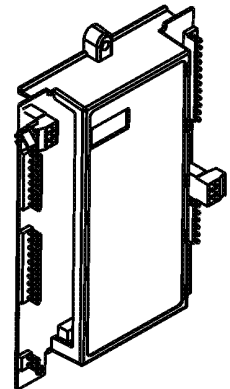
3 DISCONNECT MODULE (NON-FUSED)



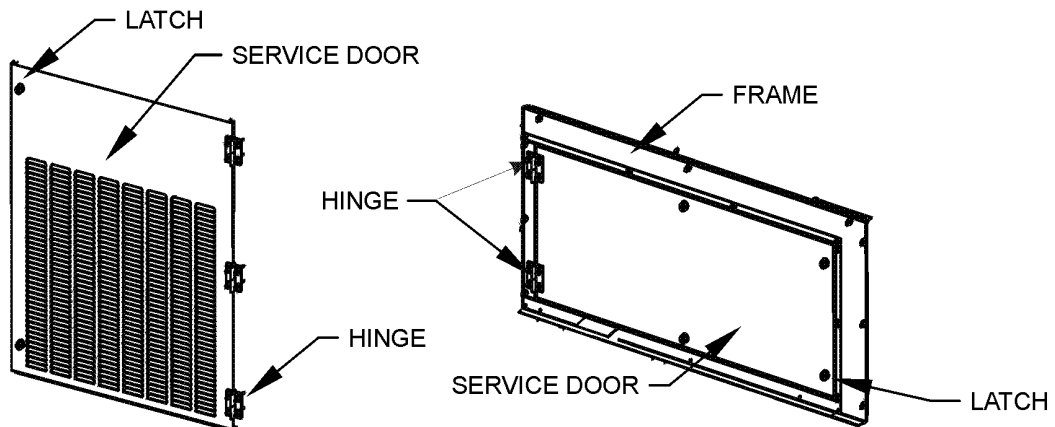
4 SMOKE DETECTORS



5 DDC CONTROL



6 HINGED DOOR ASSEMBLIES



Accessory Parts List

Ref. Part No: No:	Description:	Ref. Part No: No:	Description:
Image 1:		Expanded Model Nomenclature	
NS 0121L01373NG	BLOWER DOOR FRAME (M26)	M1 - DCC048XXX3BJXAAA	
NS 0121L01371NG	BLOWER SERVICE DOOR, BACK (M26)	M2 - DCC048XXX3BJXFAA	
NS 0121L01370NG	BLOWER SERVICE DOOR, FRONT (M26)	M3 - DCC048XXX3BJXMAA	
NS 0121L00316	BRACKET-CONV OUTLET MOUNT (M1, M2, M3, M6, M7, M9, M13, M17, M20, M21, M22, M23, M24, M25, M26)	M4 - DCC048XXX3BXXXAA	
NS 0121L00332	BRACKET-SMOKE DETECTOR (M23, M25)	M5 - DCC048XXX4BHXXAB	
NS 0130M00065	CIRCUIT BREAKER, CONVENIENCE OUTLET (M3, M9, M20, M23, M26)	M6 - DCC048XXX4BJXFAB	
NS 0121L00837NG	DISCONNECT COVER (M1, M2, M3, M5, M6, M7, M13, M14, M17, M18, M19, M20, M21, M22, M23, M24, M25, M26)	M7 - DCC048XXX4BJXGAB	
NS 0130L00012	GANG BOX-GFCI OUTLET (M1, M2, M3, M6, M7, M9, M13, M17, M20, M21, M22, M23, M24, M25, M26)	M8 - DCC048XXX4BVXXAC	
NS 0130L00039	HANDLE, ROTARY (M1, M2, M3, M5, M6, M7, M13, M14, M17, M18, M19, M20, M21, M22, M23, M24, M25, M26)	M9 - DCC048XXX4BXXBAB	
NS 0163M00307	HINGE, LEFT HAND (M26)	M10 - DCC048XXX4BXXXAA	
NS 0163M00308	HINGE, RIGHT HAND (M26)	M11 - DCC048XXX4BXXXAB	
NS 0163M00322	LATCH (M26)	M12 - DCC048XXX4BXXXAC	
NS 0121L01327NG	LOUVERED CP SERVICE DOOR (M26)	M13 - DCC048XXX7BHXAAA	
NS LAKT01	LOW AMBIENT KIT (M2, M3, M6, M18, M21, M22, M23)	M14 - DCC048XXX7BHXXAA	
NS 0161G00012	POWER OUTLET BOX (M1, M2, M3, M6, M7, M9, M13, M17, M20, M21, M22, M23, M24, M25, M26)	M15 - DCC048XXX7BXXXAA	
NS 0130L00103	RECEPTACLE-GFCI OUTLET (M1, M2, M3, M6, M7, M9, M13, M17, M20, M21, M22, M23, M24, M25, M26)	M16 - DCC048XXX7BXXXAB	
NS 0130L00042	SHAFT, CUT (M1, M2, M5, M6, M7, M13, M14, M17, M18, M19, M20, M21, M22, M23, M24, M25, M26)	M17 - DCC0480103BHXAAB	
NS 0130L00049	SHAFT, DISCONNECT (M1, M2, M3, M5, M6, M7, M13, M14, M17, M18, M19, M20, M21, M22, M23, M24, M25, M26)	M18 - DCC0480103BHXCAB	
NS D4120	SMOKE DETECTOR, PHOTO 4WIRE (M23, M25)	M19 - DCC0480103BHXXAA	
NS D4S	SMOKE DETECTOR, SENSOR ONLY (M23, M25)	M20 - DCC0480103BJXBAB	
NS 0130L00027	SWITCH-DISCONNECT 100A (M3)	M21 - DCC0480103BJXFAA	
NS 0130L00046	SWITCH-DISCONNECT 60A (M1, M2, M5, M6, M7, M13, M14, M17, M18, M19, M20, M21, M22, M23, M24, M25, M26)	M22 - DCC0480104BHXFAC	
NS 0130M00061	TRANSFORMER, CONVENIENCE OUTLET (M3, M9, M20, M23, M26)	M23 - DCC0480104BJXTAC	
		M24 - DCC0480153BHXAAB	
		M25 - DCC0480154BHXJAC	
		M26 - DCC0480154BJDBAC	