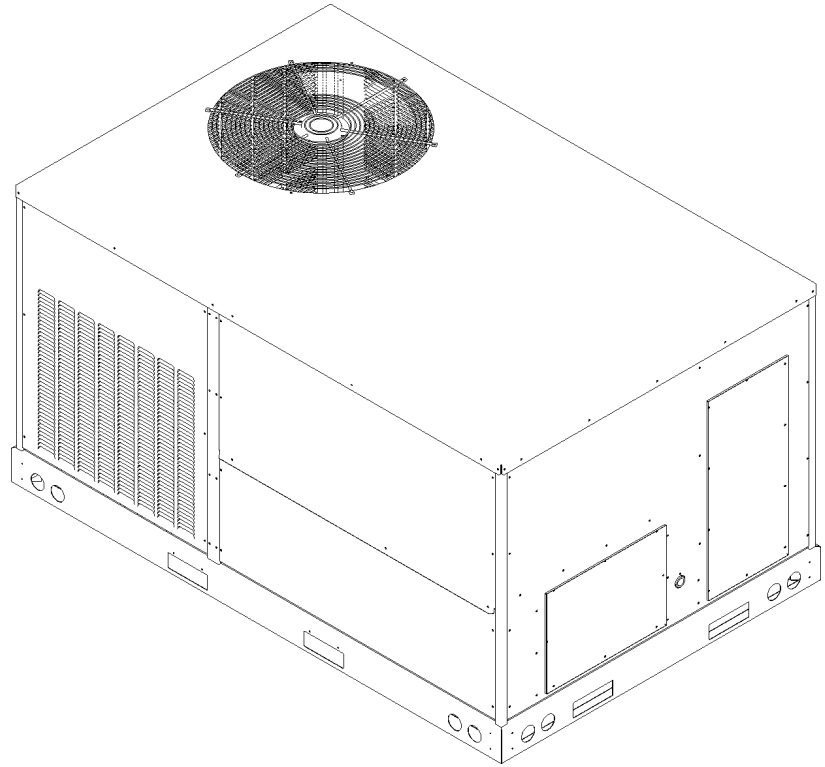


Commercial 4 Ton Direct Drive Package Cooling Units

DCC0480183DXDCAB
DCC048XXX1DXXXAA
DCC048XXX1DXXXAB
DCC048XXX3DHXXAA
DCC048XXX3DXXXAA
DCC048XXX3DXXXAB



This manual is to be used by qualified technicians only.

This manual replaces RP-D1016B.

© 2013 - 2016 **DAIKIN COMPANY, L.P.** ◇ 5151 San Felipe St., Suite 500 ◇ Houston, TX 77056

Important Information

Index

Functional Parts List	3
Illustration and Parts	4 - 13

Views shown are for parts illustrations only, not servicing procedures

Text Codes:

AR - As Required

NA - Not Available

NS - Not Shown

00000000 - See Note

QTY - Quantity Example (QTY 3) (If Quantity not shown, Quantity = 1)

M - Model Example (M1) (If M Code not shown, then part is used on all Models)

Expanded Model Nomenclature:

Example M1 - Model#1 M2 - Model#2 M3 - Model#3

Daikin Company, L.P. is not responsible for personal injury or property damage resulting from improper service. Review all service information before beginning repairs.

Warranty service must be performed by an authorized technician, using authorized factory parts. If service is required after the warranty expires, Daikin Company, L.P. also recommends contacting an authorized technician and using authorized factory parts.

Daikin Company, L.P. reserves the right to discontinue, or change at any time, specifications or designs without notice or without incurring obligations.

For assistance within the U.S.A. contact:

Homeowner Support
Daikin North America, LLC
19001 Kermier Road
Waller, Texas 77484
855-770-5678-Telephone
713-863-2382-Facsimile

For assistance outside the U.S.A. contact:

International Division
Daikin North America, LLC
19001 Kermier Road
Waller, Texas 77484
713-861-2500-Telephone
713-863-2382-Facsimile

Functional Parts

Part

No: Description:

0130M00025	24V RELAY
0131M00127	BLOWER MOTOR
D6723303	BLOWER WHEEL
CAP150000370LA	CAPACITOR 15/370V
CAP050000370LA	CAPACITOR 5/370V (M3, M4, M5, M6)
CAP050450440CT	CAPACITOR 5/45/440V/DUAL RD (M1, M2)
ZP39K5ETF5130	COMPRESSOR 39000, 200/230/60/3 (M3, M4, M5, M6)
ZP39K5EPFV130	COMPRESSOR 39000, 208/230/60/1 (M1, M2)
0131M00429	COND MOTOR 1/4 HP, 1 SP,6 PL
CONT3P025024V	CONTACTOR 25 AMP, 3P, 24V (M3, M4, M5, M6)
CONT1P030024V	CONTACTOR 30 AMP, 1P, 24V (M1, M2)
0130M00209	CUT-OUT SWITCH, HIGH PRESSURE
0130L00007	CUT-OUT SWITCH, LOW PRESSURE
PCBFM103	ELECTRONIC BLOWER TIME DELAY
0150G00004	FAN BLADE
0130M00038	TERMINAL BOARD
0130M00138	TRANSFORMER 208/230, 24V

Expanded Model Nomenclature

M1 - DCC048XXX1DXXXAA
M2 - DCC048XXX1DXXXAB
M3 - DCC048XXX3DHXXAA
M4 - DCC048XXX3DXXXAA
M5 - DCC048XXX3DXXXAB
M6 - DCC0480183DXDCAB

Top Panel / Compressor / Tubing Assy

IMAGE 1

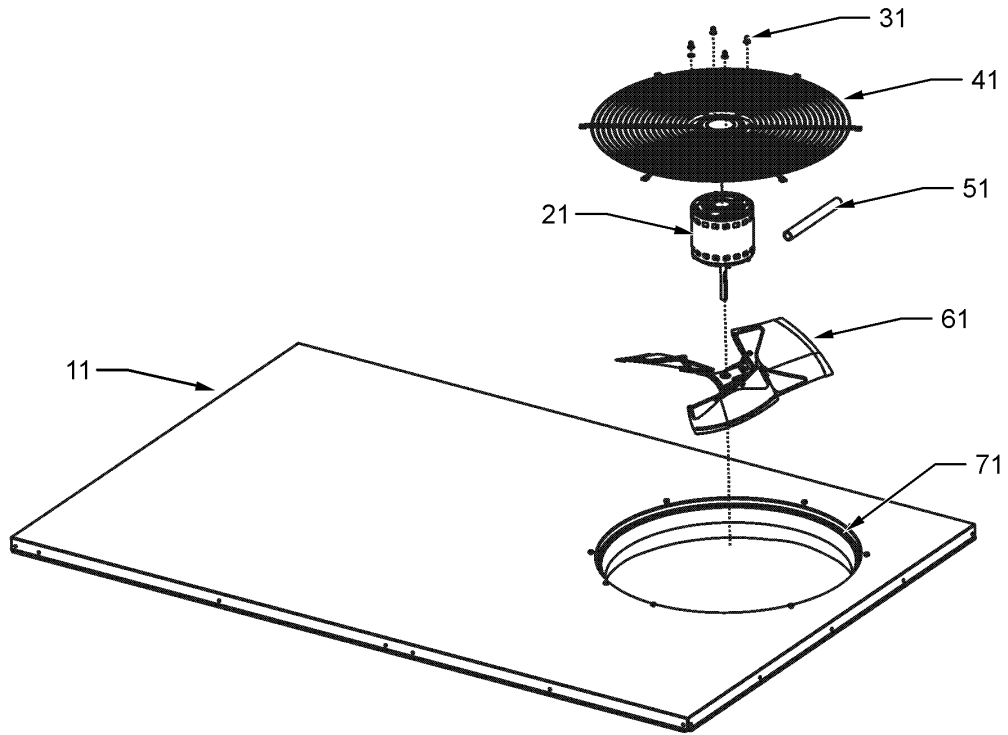
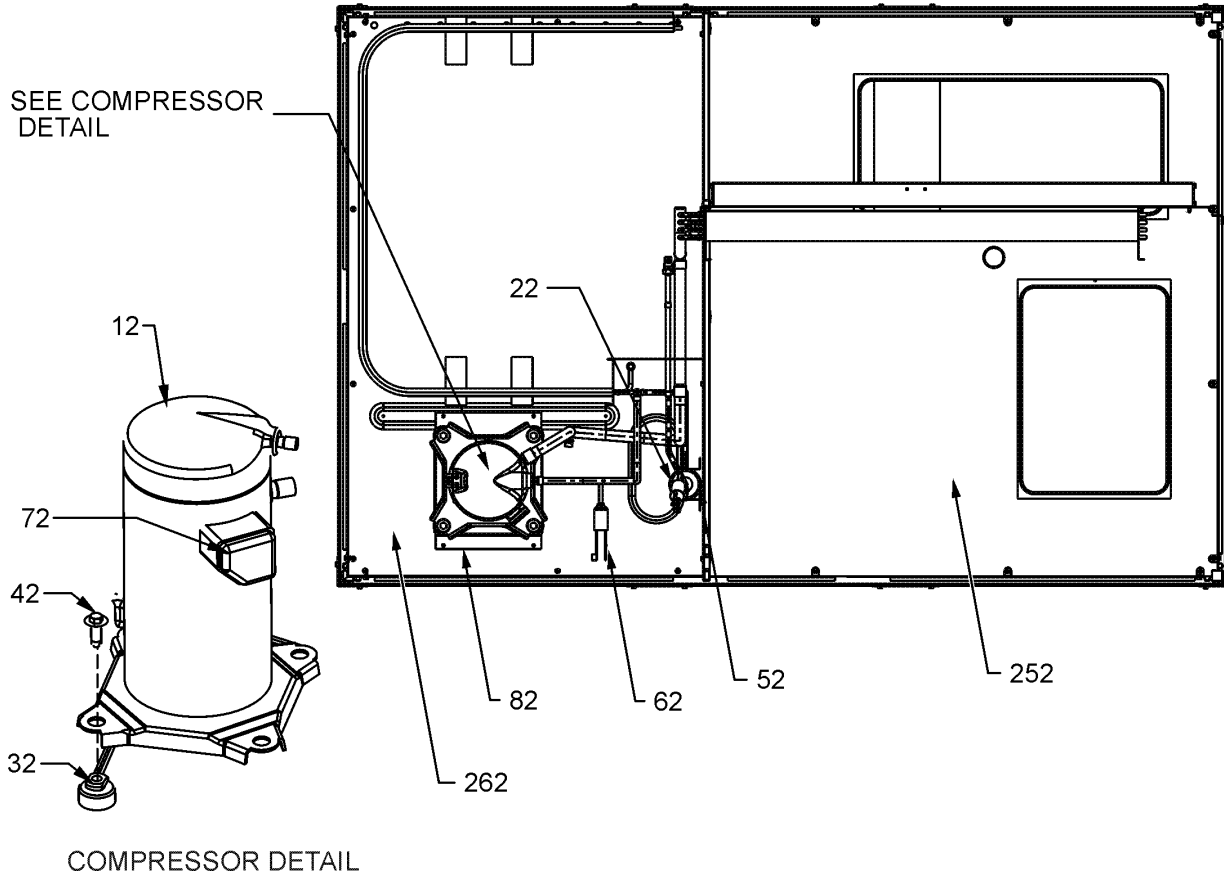


IMAGE 2



Top Panel / Compressor / Tubing Assy

Ref. Part No: No:	Description:	Ref. Part No: No:	Description:
-------------------	--------------	-------------------	--------------

Image 1:

11	0121L00235NG	TOP PANEL
21	0131M00429	COND MOTOR 1/4 HP, 1 SP,6 PL
31	0163M00006P	ACORN NUT 5/16 HEX BLACK (QTY 4)
41	0152G00003	FAN GRILLE
51	17788000083F	PVC CONDUIT 8.25"
61	0150G00004	FAN BLADE
71	0161L00000	VENTURI RING 22"
NS	0163M00004	SCREW #10X3/4", BLACK (QTY 3)
NS	0163M00005P	WASHER, BLACK (.50 OD .218ID) (QTY 4)

Image 2:

12	ZP39K5ETF5130	COMPRESSOR 39000, 200/230/60/3 (M3, M4, M5, M6)
12	ZP39K5EPFV130	COMPRESSOR 39000, 208/230/60/1 (M1, M2)
22	0130L00007	CUT-OUT SWITCH, LOW PRESSURE
32	B1339533	COMPRESSOR GROMMET (QTY 4)
42	M0221641	TF SHOULDER SCREW (QTY 4)
52	B1219225	SINGLE-FLOW FILTER DRIER, STEEL
62	0130M00209	CUT-OUT SWITCH, HIGH PRESSURE
72	0159L00027	COMPRESSOR SCROLL HARNESS (M1, M2)
72	0159L00028	COMPRESSOR SCROLL HARNESS (M3, M4, M5, M6)
82	0121L00310	COMPRESSOR MOUNTING PLATE
252	0121L00943	BASE PAN - INDOOR
262	0121L01307	BASE PAN - OUTDOOR

Expanded Model Nomenclature

M1 - DCC048XXX1DXXXAA
M2 - DCC048XXX1DXXXAB
M3 - DCC048XXX3DHXXAA
M4 - DCC048XXX3DXXXAA
M5 - DCC048XXX3DXXXAB
M6 - DCC0480183DXDCAB

Cabinet Assy

IMAGE 1

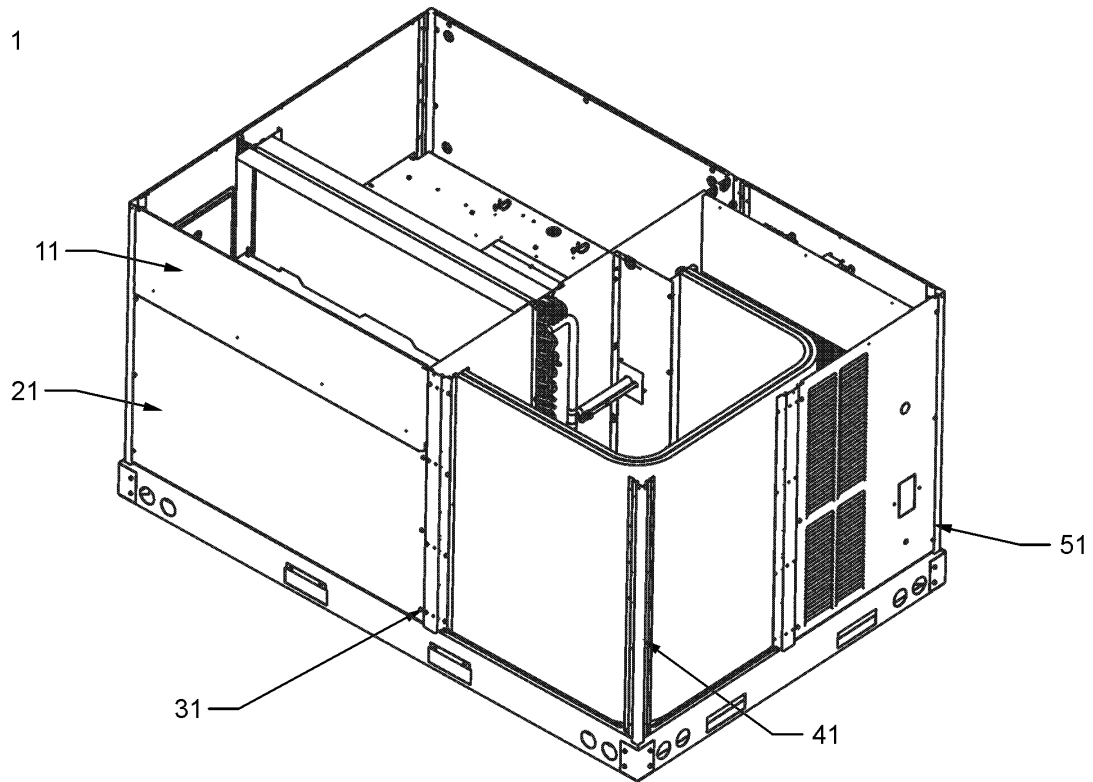
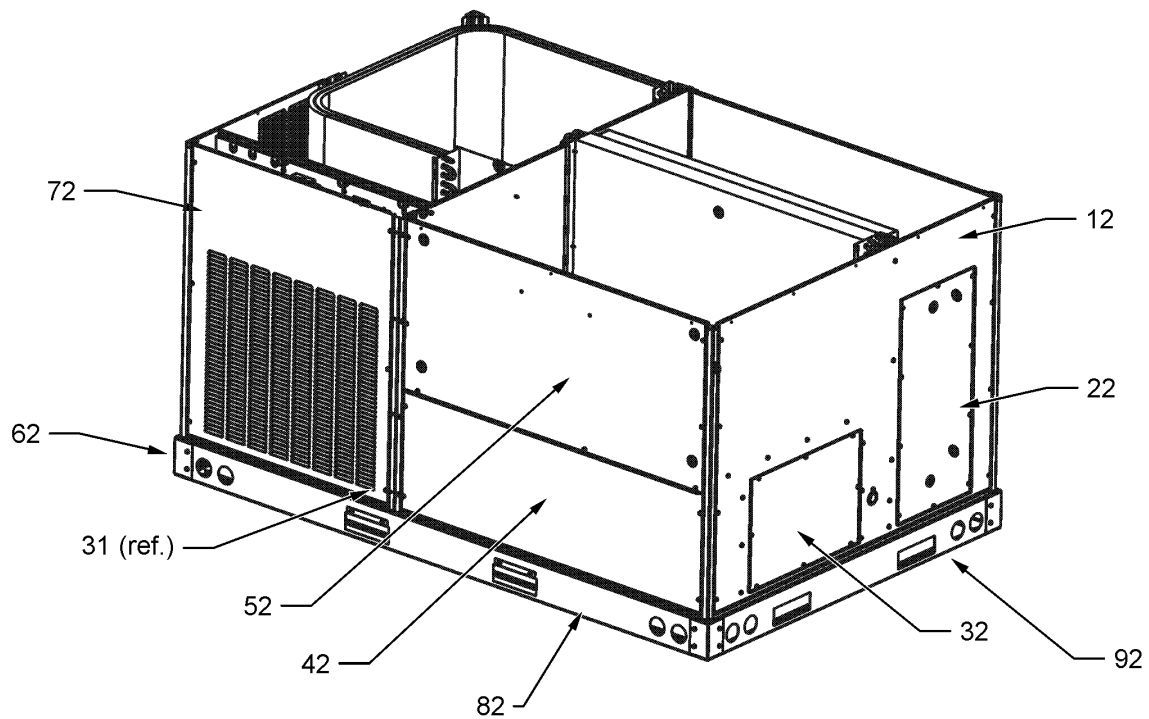


IMAGE 2



Cabinet Assy

Ref. Part No: No:	Description:	Ref. Part No: No:	Description:
-------------------	--------------	-------------------	--------------

Image 1:

11	0270L00362NG	FILTER DOOR
21	0121L00976NG	ECONOMIZER DOOR
31	0121L00233RFNG	POST-SIDE SUPPORT (QTY 3)
31	0121L01159RFNG	POST-SIDE SUPPORT (M2, M5)
31	0121L01374RFNG	POST-SIDE SUPPORT (M6)
41	0121L01375RFNG	PNT, RL FMD POST CORNER (M6)
41	0121L01198RFNG	RF, PNT, POST-CORNER (QTY 4)
51	0121L00263NG	LOUVERED COMPRESSOR PANEL (M1, M2, M4, M5, M6)
51	0121L00836NG	LOUVERED COMPRESSOR PANEL (M3)
NS	0164L00009	GASKET-RUBBER, CPOST (QTY 3)
NS	0164L00011	GASKET-RUBBER, SIDE POST (QTY 2)

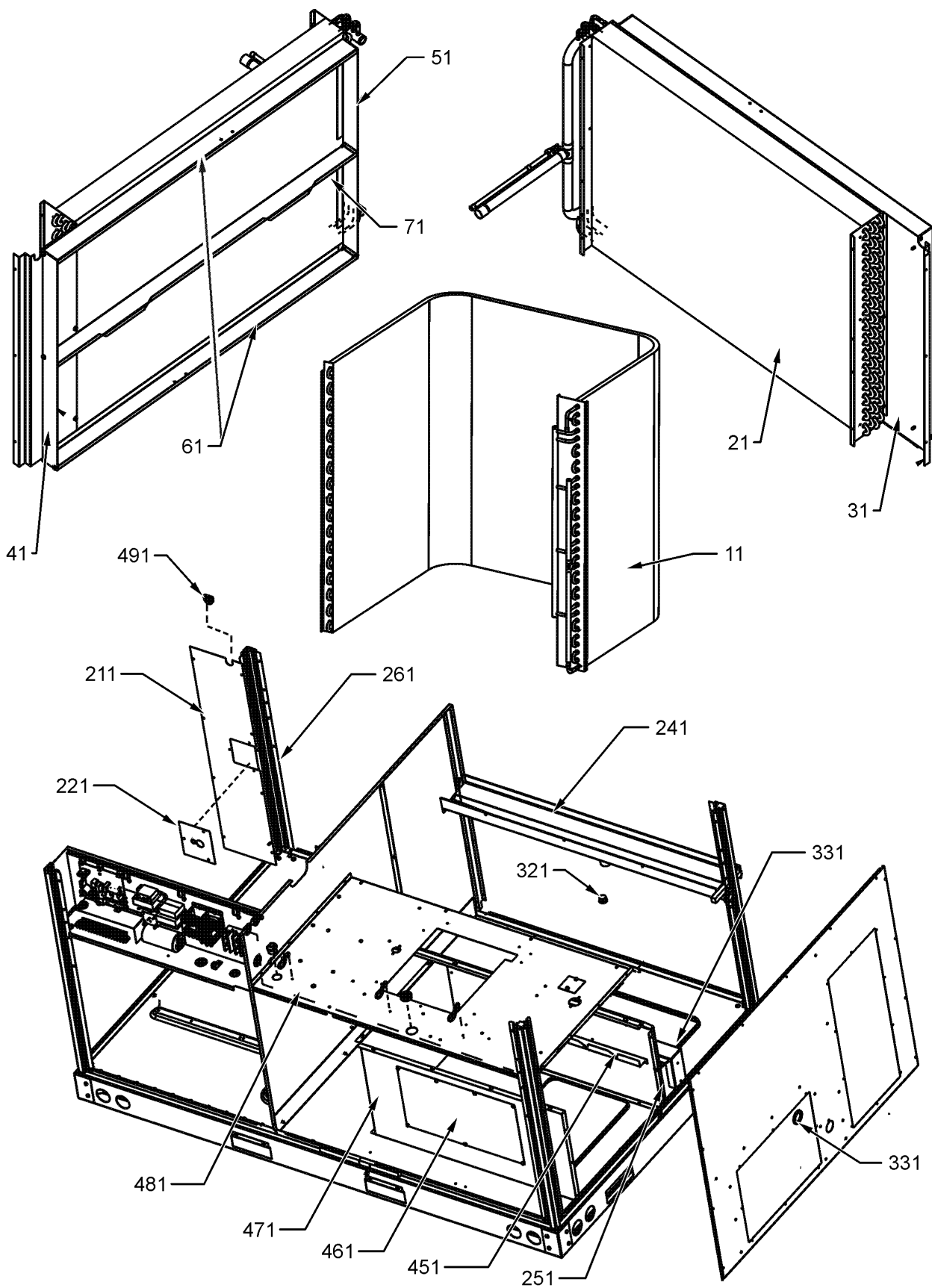
Image 2:

12	0121L00236NG	DUCT PANEL
22	0121L00023NG	RETURN DUCT COVER
32	0121L00024NG	SUPPLY DUCT COVER
42	0121L00279NG	ELECTRIC HEAT DOOR (M1, M3, M4)
42	0121L01176NG	ELECTRIC HEAT DOOR (M2, M5, M6)
52	0121L00259NG	BLOWER DOOR (M1, M3, M4)
52	0121L01157NG	BLOWER DOOR (M2, M5, M6)
62	0121G00301	RAIL CORNER BRACKET (QTY 4)
72	0121L00262NG	LOUVERED CONTROL PANEL (M1, M3, M4)
72	0121L01121NG	LOUVERED CONTROL PANEL (M2, M5)
72	0121L01327NG	LOUVERED CONTROL PANEL (M6)
82	0121L00244RF	SIDE RAIL (QTY 2)
92	0121L00245	END RAIL (QTY 2)
NS	0141L00003X	FORK BOARD (QTY 2)
NS	0121L00055	FORK BOARD BRACKET (QTY 4)
NS	0164L00009	GASKET-RUBBER, CPOST (QTY 3)
NS	0164L00011	GASKET-RUBBER, SIDE POST (QTY 2)

Expanded Model Nomenclature

M1 - DCC048XXX1DXXXAA
M2 - DCC048XXX1DXXXAB
M3 - DCC048XXX3DHXXXAA
M4 - DCC048XXX3DXXXAA
M5 - DCC048XXX3DXXXAB
M6 - DCC0480183DXDCAB

Partion Assy / Condenser / Evaporator



Partion Assy / Condenser / Evaporator

Ref. Part No:	Description:	Ref. Part No:	Description:
Image 1:			
11	0201L00036		TUBING ASSY, COND COIL
21	0202L00029		TUBING ASSY, EVAP COIL
31	0121L00313		BLOCKOFF-EVAPORATOR
41	0121L00303		FILTER ANGLE-VERTICAL (HAIRPIN SIDE)
51	0121L00287		FILTER ANGLE-VERTICAL (RETURN SIDE)
61	0121L00932		FILTER ANGLE-HORIZONTAL (QTY 2)
71	0121L01255		FILTER ANGLE-HORIZONTAL (CENTER)
211	0121L00311		COND BLOCK-OFF
221	0121L00939		CONDENSER BLOCKOFF PLATE
231	0121L00238		DRAIN PAN SUPPORT
241	0161L00005		DRAIN PAN
251	0121L00243		DECK SIDE CHANNEL
261	0121L00254		COND MOUNTING ANGLE
321	0163L00071		DRAIN PLUG
331	0154L00009		DRAIN PAN GASKET
451	0121L00288		ELECTRIC HEAT RETAINER
461	0121L00144		ELECTRIC HEAT COVER
471	0121L00256		ELECTRIC HEAT PANEL
481	0121L01205		BLOWER DECK (M1, M3, M4)
481	0121L01442		DECK-BLOWER (M2, M5, M6)
491	A4568804		GROMMET-D
NS	0160L00173		AIR FILTER 14 X 20 X 2 (QTY 4)
NS	0121L01377		BLOWER DECK SUPPORT (M6)
NS	0121L00321		SMOKE DETECTOR COVER

Expanded Model Nomenclature

- M1 - DCC048XXX1DXXXAA
- M2 - DCC048XXX1DXXXAB
- M3 - DCC048XXX3DHXXAA
- M4 - DCC048XXX3DXXXAA
- M5 - DCC048XXX3DXXXAB
- M6 - DCC0480183DXDCAB

Blower Assy / Control Box Assy

IMAGE 1

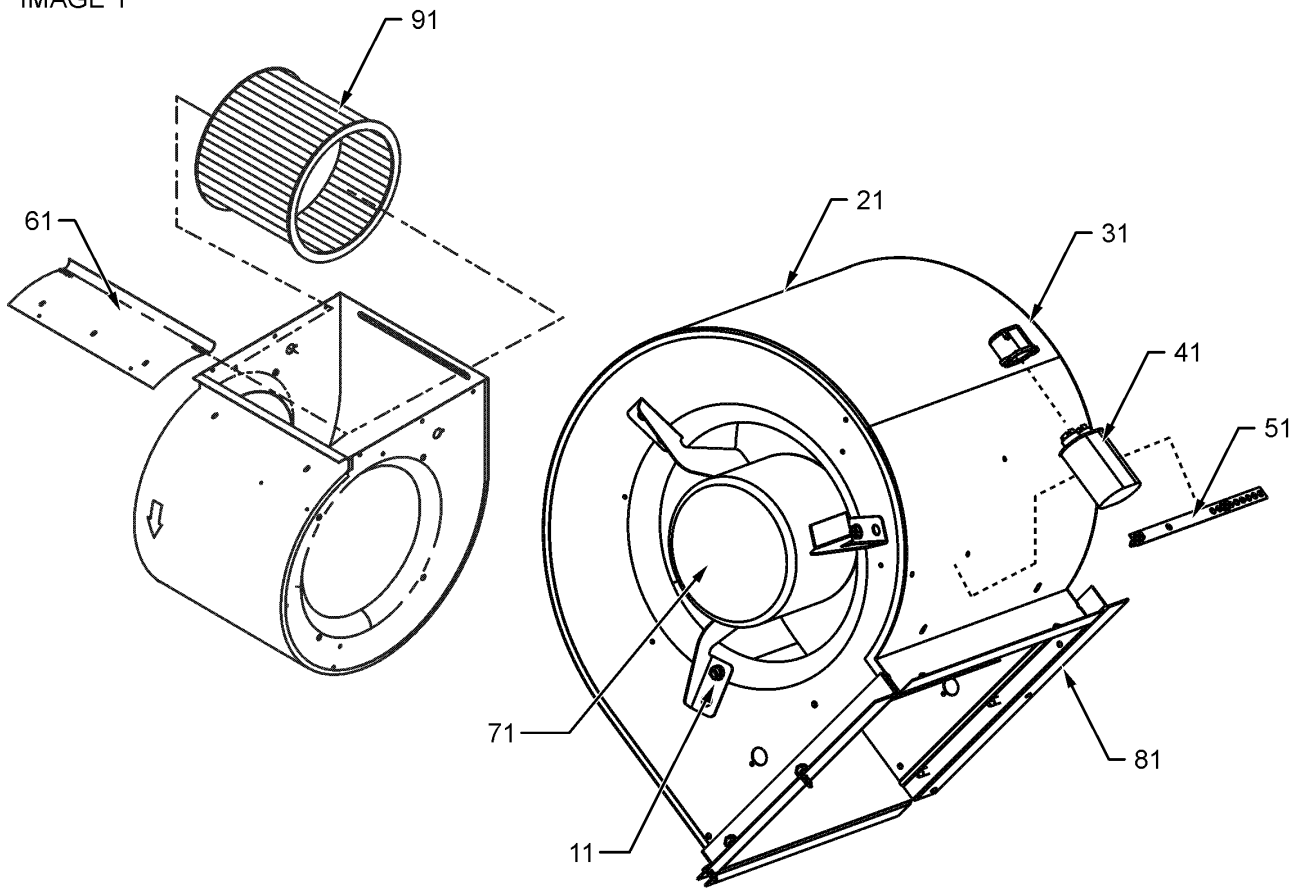
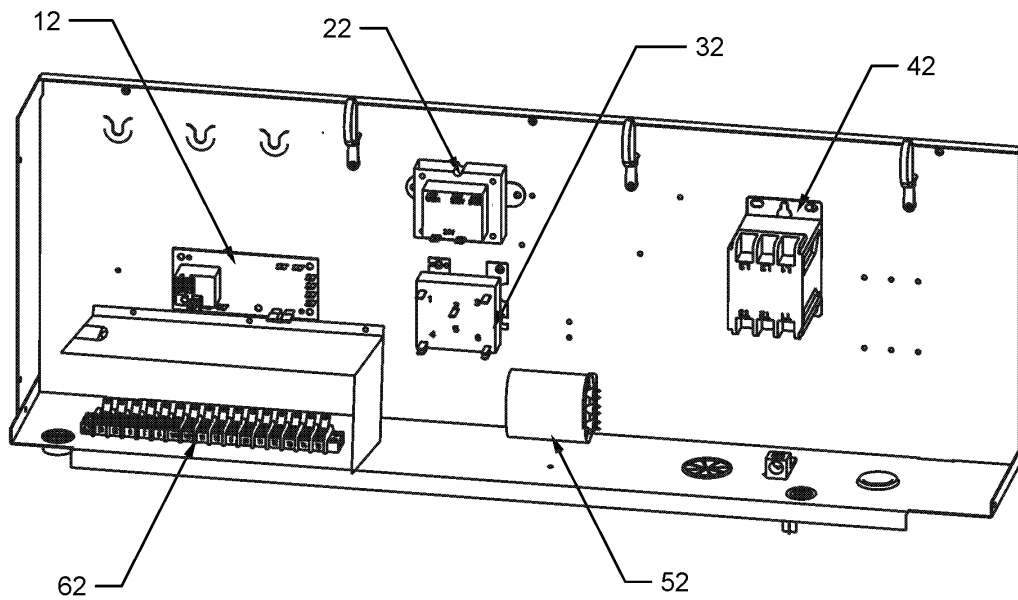


IMAGE 2



Blower Assy / Control Box Assy

Ref. Part No: No:	Description:	Ref. Part No: No:	Description:
-------------------	--------------	-------------------	--------------

Image 1:

11	M0250558	TC SCREW (QTY 3)
21	11185817	BLOWER HOUSING
31	B821700	CAPACITOR BOOT
41	CAP150000370LA	CAPACITOR 15/370V
51	20520901	CAPACITOR STRAP
61	C6121806	BLOWER CUT-OFF
71	0131M00127	BLOWER MOTOR
81	0121L00308	BLOWER MOUNTING ANGLE
91	D6723303	BLOWER WHEEL

Image 2:

12	PCBFM103	ELECTRONIC BLOWER TIME DELAY
22	0130M00138	TRANSFORMER 208/230, 24V
32	0130M00025	24V RELAY
42	CONT3P025024V	CONTACTOR 25 AMP, 3P, 24V (M3, M4, M5, M6)
42	CONT1P030024V	CONTACTOR 30 AMP, 1P, 24V (M1, M2)
52	CAP050000370LA	CAPACITOR 5/370V (M3, M4, M5, M6)
52	CAP050450440CT	CAPACITOR 5/45/440V/DUAL RD (M1, M2)
62	0130M00038	TERMINAL BOARD
NS	20520901	CAPACITOR STRAP
NS	0259L00178	HARNESS, ECONOMIZER
NS	0259L00079	WIRE HARNESS, EVAP MOTOR
NS	0259L00080	WIRE HARNESS-CONTROL
NS	0259L00054	WIRING HARNESS
NS	0259L00061	WIRING HARNESS

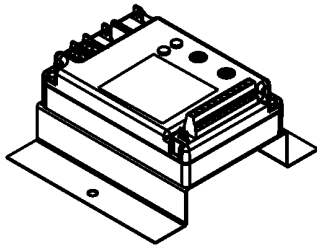
Expanded Model Nomenclature

M1 - DCC048XXX1DXXXAA
M2 - DCC048XXX1DXXXAB
M3 - DCC048XXX3DHXXXAA
M4 - DCC048XXX3DXXXAA
M5 - DCC048XXX3DXXXAB
M6 - DCC0480183DXDCAB

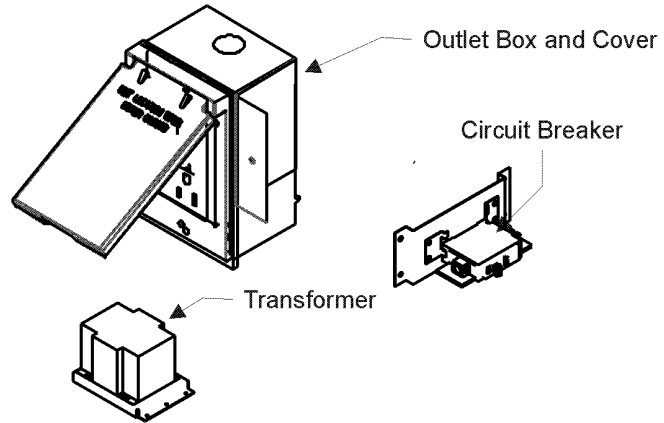
ACCESSORY PARTS LIST

NOTE: NOT ALL OPTIONS AVAILABLE FOR ALL PRODUCTS

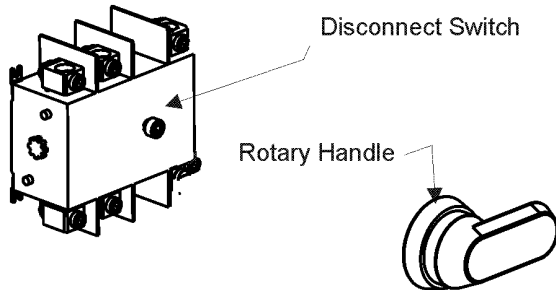
1 LOW AMBIENT KITS



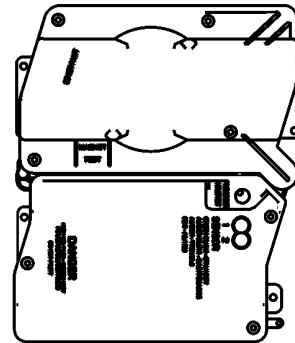
2 GFCI CONVENIENCE OUTLET



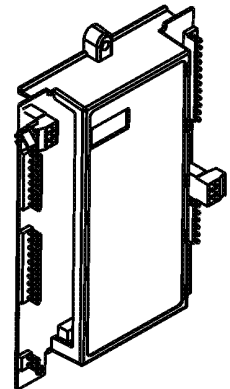
3 DISCONNECT MODULE (NON-FUSED)



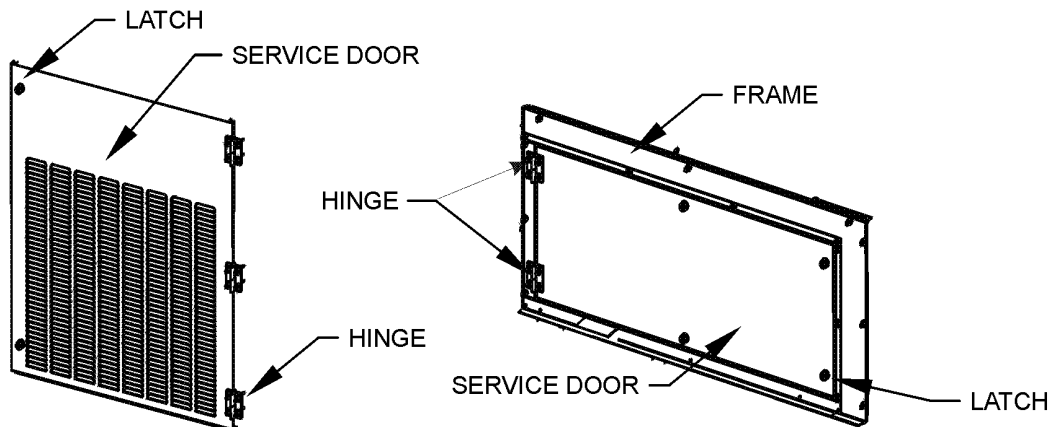
4 SMOKE DETECTORS



5 DDC CONTROL



6 HINGED DOOR ASSEMBLIES



Accessory Parts

Ref. Part No:	Description:	Ref. Part No:	Description:
---------------	--------------	---------------	--------------

Image 2:

NS 0121L01373NG	BLOWER DOOR FRAME (M6)
NS 0121L01371NG	BLOWER SERVICE DOOR, BACK (M6)
NS 0121L01370NG	BLOWER SERVICE DOOR, FRONT (M6)
NS 0121L00837NG	DISCONNECT COVER (M3)
NS 0130L00039	HANDLE, ROTARY (M3)
NS 0163M00307	HINGE, LEFT HAND (M6)
NS 0163M00308	HINGE, RIGHT HAND (M6)
NS 0163M00322	LATCH (M6)
NS 0121L01327NG	LOUVERED CP SERVICE DOOR (M6)
NS LAKT01	LOW AMBIENT KIT (M6)
NS 0130L00042	SHAFT, CUT (M3)
NS 0130L00049	SHAFT, DISCONNECT (M3)
NS 0130L00046	SWITCH-DISCONNECT 60A (M3)

Expanded Model Nomenclature

M1 - DCC048XXX1DXXXAA
M2 - DCC048XXX1DXXXAB
M3 - DCC048XXX3DHXXXAA
M4 - DCC048XXX3DXXXAA
M5 - DCC048XXX3DXXXAB
M6 - DCC0480183DXDCAB