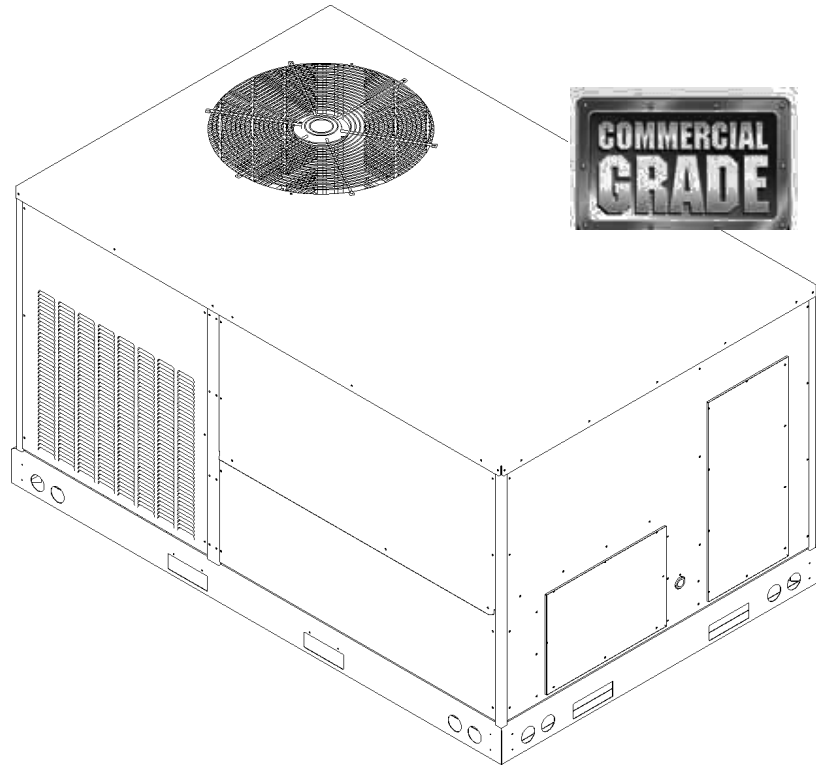


Commercial 3 Ton Package Cooling Unit

DCC0360103BHXCAA
DCC0360103BHX CAB
DCC0360103BJXFAA
DCC0360104BHXBAC
DCC0360104BHXJAC
DCC0360154BAXJAB
DCC0360154BHXJAC
DCC036XXX3BJXFAA
DCC036XXX3BXXXAA
DCC036XXX3BXXXAB
DCC036XXX4BHXMA
DCC036XXX4BHXAB
DCC036XXX4BHXAC
DCC036XXX4BXXBAB
DCC036XXX4BXXBAC
DCC036XXX4BXXXAA
DCC036XXX4BXXXAB
DCC036XXX4BXXXAC
DCC036XXX7BXXXAA
DCC036XXX7BXXXAB



This manual is to be used by qualified technicians only.

This manual replaces RP-D1015F.

Important Information

Index

Functional Parts List	3
Illustration and Parts	4 - 15

Views shown are for parts illustrations only, not servicing procedures

Rev. D: Added models DCC0360154BAXJ and DCC036XXX3BJXF.

Rev. E: Added models DCC036XXX7BXXXAB, DCC036XXX4BXXXAC, DCC036XXX4BXXBAC, DCC036XXX4BHXXAC, DCC036XXX4BHXMAAB, DCC036XXX3BXXXAB, DCC0360103BJXFAA, DCC0360103BHXCAB

Rev. F: Added model DCC0360104BHXBAC.

Rev. G: Added models DCC0360104BHXJAC and DCC0360154BHXJAC.

Text Codes:

AR - As Required

NA - Not Available

NS - Not Shown

00000000 - See Note

QTY - Quantity Example (QTY 3) (If Quantity not shown, Quantity = 1)

M - Model Example (M1) (If M Code not shown, then part is used on all Models)

Expanded Model Nomenclature:

Example M1 - Model#1 M2 - Model#2 M3 - Model#3

Daikin Company, L.P. is not responsible for personal injury or property damage resulting from improper service. Review all service information before beginning repairs.

Warranty service must be performed by an authorized technician, using authorized factory parts. If service is required after the warranty expires, Daikin Company, L.P. also recommends contacting an authorized technician and using authorized factory parts.

Daikin Company, L.P. reserves the right to discontinue, or change at any time, specifications or designs without notice or without incurring obligations.

For assistance within the U.S.A. contact:
Consumer Affairs Department
Daikin North America, LLC
7401 Security Way
Houston, Texas 77040
855-770-5678-Telephone
713-863-2382-Facsimile

For assistance outside the U.S.A. contact:
International Division
Daikin North America, LLC
7401 Security Way
Houston, Texas 77040
713-861-2500-Telephone
713-863-2382-Facsimile

Functional Parts

Part No: **Description:**

Part No:	Description:	Expanded Model Nomenclature
B1368056	BELT DRIVE BLOWER WHEEL	M1 - DCC036XXX3BJXFAA
0131L00003	BELT DRIVE MOTOR 1 HP (M1, M2, M3, M4, M5, M6, M7, M8, M9, M10, M11, M14, M15, M16, M17, M18, M19, M20)	M2 - DCC036XXX3BXXXAA
0131L00004	BELT DRIVE MOTOR 1.5 HP 575V (M12, M13)	M3 - DCC036XXX3BXXXAB
CAP030000440LA	CAPACITOR 3/440V (M13)	M4 - DCC036XXX4BHXMBAB
CAP050000370LA	CAPACITOR 5/370V (M1, M2, M3, M9, M12, M14, M15, M16)	M5 - DCC036XXX4BHXAB
CAP075000370LA	CAPACITOR 7.5/370V (M4, M5, M6, M7, M8, M10, M11, M17, M18, M19, M20)	M6 - DCC036XXX4BHXAC
ZP31K5ETFE130	COMPRESSOR 31100, 575/60/3 (M12, M13)	M7 - DCC036XXX4BXXBAB
ZP31K5ETF5130	COMPRESSOR 31200, 200/230/60/3 (M1, M2, M3, M14, M15, M16)	M8 - DCC036XXX4BXXBAC
ZP31K5ETFD130	COMPRESSOR 31200, 460/60/3 (M4, M5, M6, M7, M8, M9, M10, M11, M17, M18, M19, M20)	M9 - DCC036XXX4BXXXAA
0131M00429	COND MOTOR 1/4 HP, 1 SP,6 PL (M1, M2, M3, M14, M15, M16)	M10 - DCC036XXX4BXXXAB
B13400269	COND MOTOR 380/460 50/60 CYCLE (M9)	M11 - DCC036XXX4BXXXAC
0131M00432	COND MOTOR 380/460/50/60 CYCLE (M4, M5, M6, M7, M8, M10, M11, M17, M18, M19, M20)	M12 - DCC036XXX7BXXXAA
0131M00098	COND MOTOR 575V (M12)	M13 - DCC036XXX7BXXXAB
0131M00431	COND MOTOR 575V (M13)	M14 - DCC0360103BHXCAA
CONT3P025024V	CONTACTOR 25 AMP, 3P, 24V (M4, M5, M6, M7, M8, M9, M10, M11, M12, M13, M17, M18, M19, M20)	M15 - DCC0360103BHX CAB
CONT3P030024V	CONTACTOR 30 AMP, 3P, 24V (M1, M2, M3, M14, M15, M16)	M16 - DCC0360103BJXFAA
0130M00055	CUT-OUT SWITCH, HIGH PRESSURE (M12, M13)	M17 - DCC0360104BHXBAC
0130M00209	CUT-OUT SWITCH, HIGH PRESSURE (M1, M2, M3, M4, M5, M6, M7, M8, M9, M10, M11, M14, M15, M16, M17, M18, M19, M20)	M18 - DCC0360104BHXJAC
0130L00007	CUT-OUT SWITCH, LOW PRESSURE	M19 - DCC0360154BAXJAB
PCBFM103	ELECTRONIC BLOWER TIME DELAY	M20 - DCC0360154BHXJAC
0164L00010	FAN BELT, NOTCHED	
0150G00001	FAN BLADE	
0130M00038	TERMINAL BOARD	
0130M00138	TRANSFORMER 208/230, 24V (M1, M2, M3, M14, M15, M16)	
0130M00145	TRANSFORMER 480V to 24V, 75VA (M4, M5, M6, M7, M8, M9, M10, M11, M17, M18, M19, M20)	
0130M00148	TRANSFORMER 575V to 24V, 75VA (M12, M13)	

Top Panel/Tubing Assy

Image 1

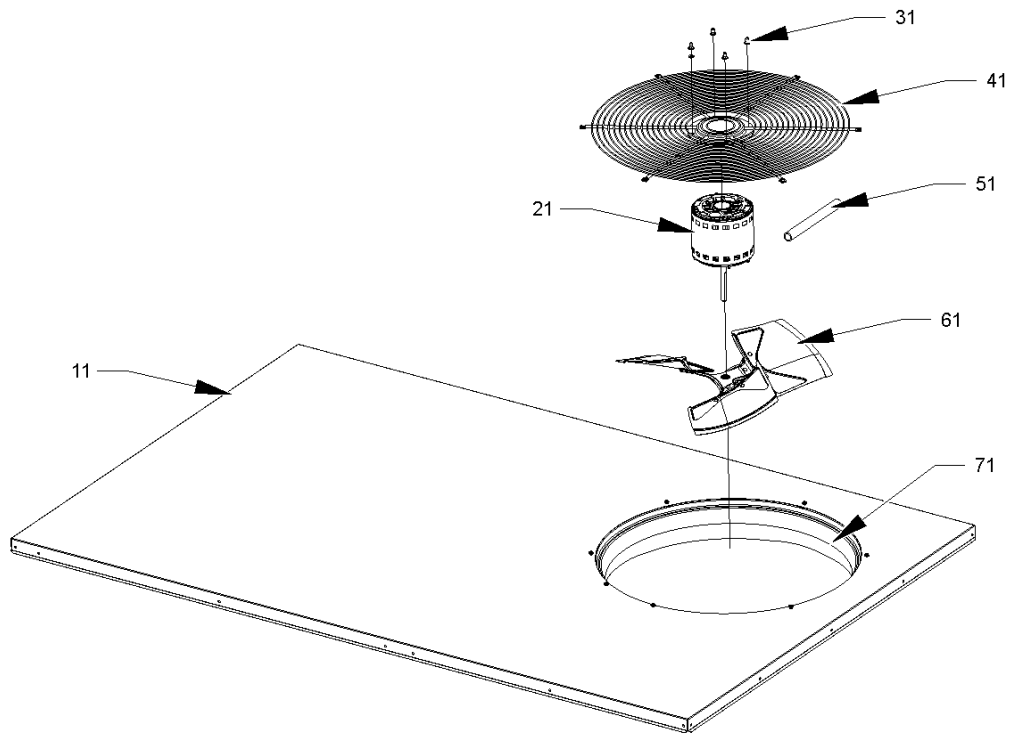
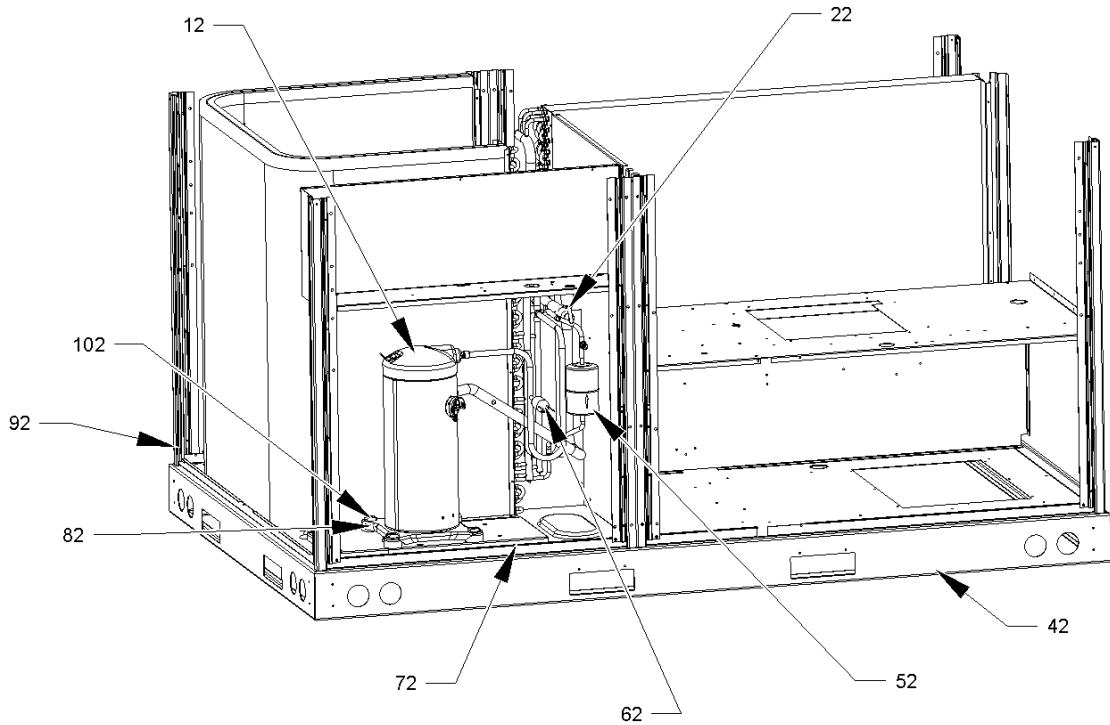


Image 2



Top Panel/Tubing Assy

Ref. Part

No: No: Description:

Ref. Part

No: No: Description:

Image 1:

11	0121L00235NG	TOP PANEL
21	0131M00429	COND MOTOR 1/4 HP, 1 SP,6 PL (M1, M2, M3, M14, M15, M16)
21	B13400269	COND MOTOR 380/460 50/60 CYCLE (M9)
21	0131M00432	COND MOTOR 380/460/50/60 CYCLE (M4, M5, M6, M7, M8, M10, M11, M17, M18, M19, M20)
21	0131M00098	COND MOTOR 575V (M12)
21	0131M00431	COND MOTOR 575V (M13)
31	0163M00006P	ACORN NUT 5/16 HEX BLACK (QTY 4)
41	0152G00003	FAN GRILLE
51	17788000083F	PVC CONDUIT 8.25"
61	0150G00001	FAN BLADE
71	0161L00000	VENTURI RING 22"
NS	0163M00004	SCREW #10X3/4", BLACK (QTY 8)
NS	0163M00005P	WASHER, BLACK (.50 OD .218ID) (QTY 4)

Image 2:

12	ZP31K5ETFE130	COMPRESSOR 31100, 575/60/3 (M12, M13)
12	ZP31K5ETF5130	COMPRESSOR 31200, 200/230/60/3 (M1, M2, M3, M14, M15, M16)
12	ZP31K5ETFD130	COMPRESSOR 31200, 460/60/3 (M4, M5, M6, M7, M8, M9, M10, M11, M17, M18, M19, M20)
22	0130L00007	CUT-OUT SWITCH, LOW PRESSURE
52	B1219204	BI-FLOW FILTER DRIER (M12, M13)
52	B1219225	SINGLE-FLOW FILTER DRIER, STEEL (M1, M2, M3, M4, M5, M6, M7, M8, M9, M10, M11, M14, M15, M16, M17, M18, M19, M20)
62	0130M00055	CUT-OUT SWITCH, HIGH PRESSURE (M12, M13)
62	0130M00209	CUT-OUT SWITCH, HIGH PRESSURE (M1, M2, M3, M4, M5, M6, M7, M8, M9, M10, M11, M14, M15, M16, M17, M18, M19, M20)
72	0121L00310	COMPRESSOR MOUNTING PLATE
82	B1339533	COMPRESSOR GROMMET (QTY 4)
92	0121L00245	END RAIL (QTY 2)
102	M0221641	TF SHOULDER SCREW (QTY 4)
NS	0159L00028	COMPRESSOR SCROLL HARNESS

Expanded Model Nomenclature

M1 - DCC036XXX3BJXFAA
M2 - DCC036XXX3BXXXAA
M3 - DCC036XXX3BXXXAB
M4 - DCC036XXX4BHXMAA
M5 - DCC036XXX4BHXAB
M6 - DCC036XXX4BHXAC
M7 - DCC036XXX4BXXBAB
M8 - DCC036XXX4BXXBAC
M9 - DCC036XXX4BXXXAA
M10 - DCC036XXX4BXXXAB
M11 - DCC036XXX4BXXXAC
M12 - DCC036XXX7BXXXAA
M13 - DCC036XXX7BXXXAB
M14 - DCC0360103BHXCAB
M15 - DCC0360103BHXCAB
M16 - DCC0360103BJXFAA
M17 - DCC0360104BHXBAC
M18 - DCC0360104BHXJAC
M19 - DCC0360154BAXJAB
M20 - DCC0360154BHXJAC

Cabinet Assy

Image 1

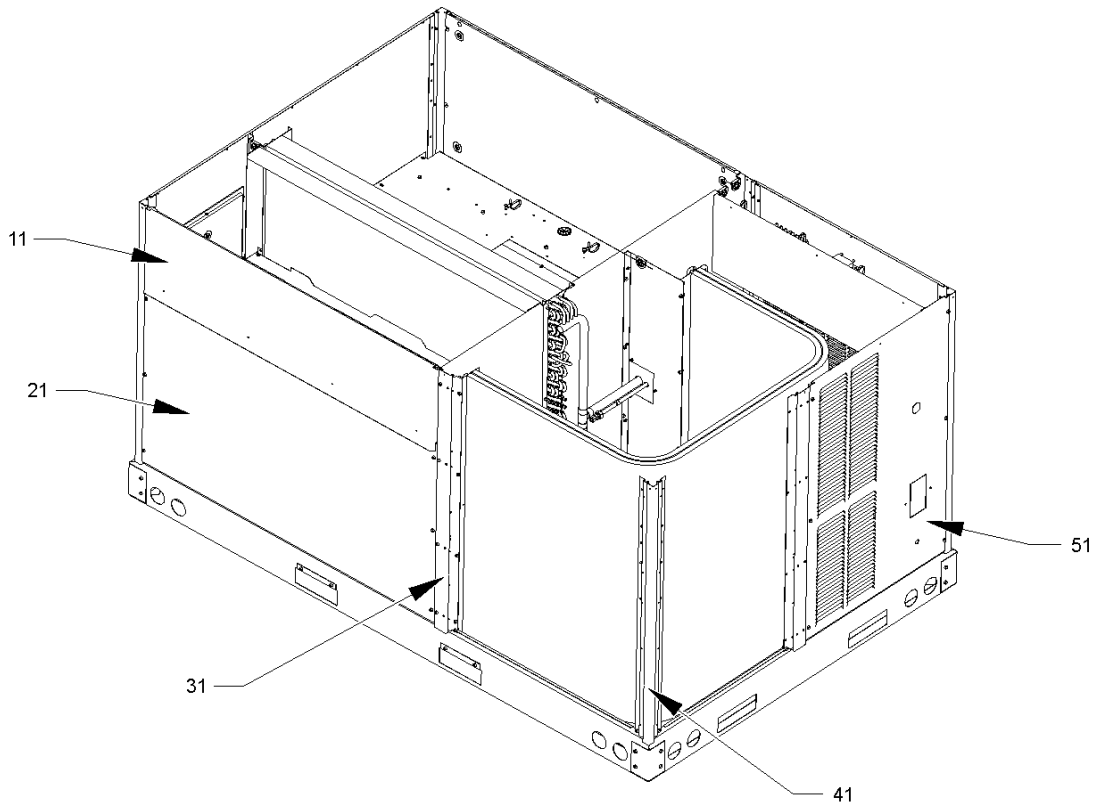
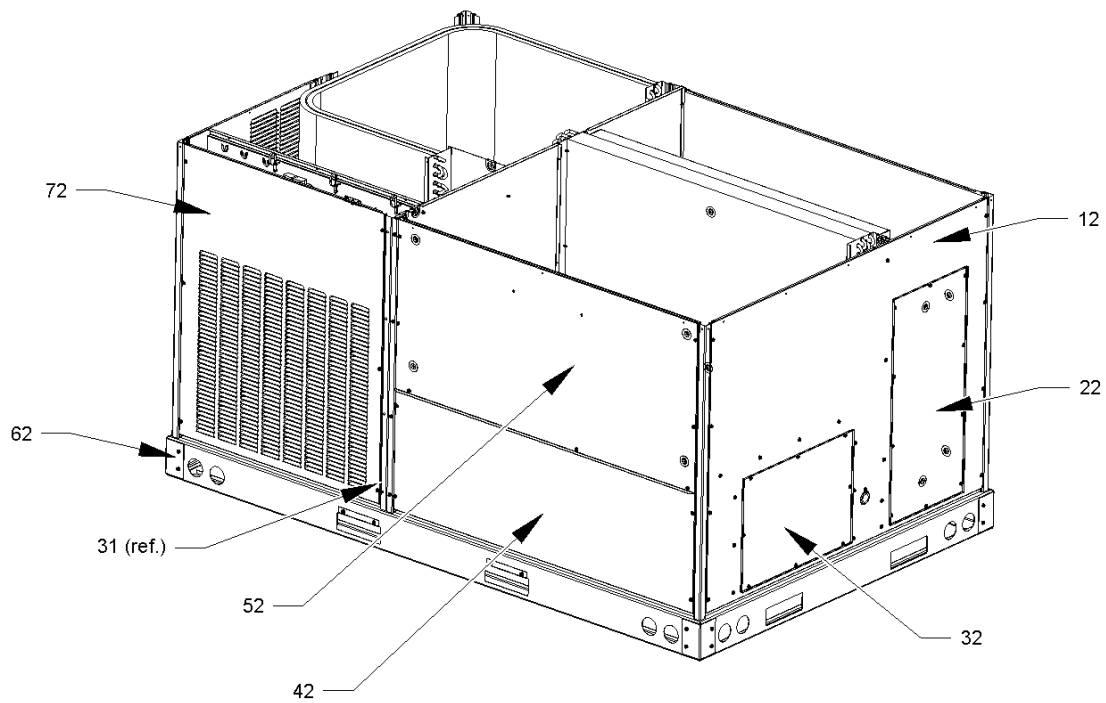


Image 2



Cabinet Assy

Ref. Part No: No:	Description:	Ref. Part No: No:	Description:
-------------------	--------------	-------------------	--------------

Image 1:

11	0270L00362NG	FILTER DOOR
21	0121L00976NG	ECONOMIZER DOOR
31	0121L00233RFNG	POST-SIDE SUPPORT (QTY 3)
41	0121L00237RFNG	CORNER POST (QTY 4)
51	0121L00263NG	LOUVERED COMPRESSOR PANEL
NS	0164L00009	GASKET-RUBBER, CPOST (QTY 3)
NS	0164L00011	GASKET-RUBBER, SIDE POST (QTY 2)
NS	0121L00321	SMOKE DETECTOR COVER

Image 2:

12	0121L00236NG	DUCT PANEL
22	0121L00023NG	RETURN DUCT COVER
42	0121L00279NG	ELECTRIC HEAT DOOR (M1, M2, M4, M5, M7, M9, M10, M12, M14, M16, M19)
42	0121L01176NG	ELECTRIC HEAT DOOR (M3, M6, M8, M11, M13, M15, M17, M18, M20)
52	0121L00259NG	BLOWER DOOR (M1, M2, M4, M5, M7, M9, M10, M12, M14, M16, M19)
52	0121L01157NG	BLOWER DOOR (M3, M6, M8, M11, M13, M15, M17, M18, M20)
62	0121G00301	RAIL CORNER BRACKET (QTY 4)
72	0121L00262NG	LOUVERED CONTROL PANEL (M1, M2, M4, M5, M7, M9, M10, M12, M14, M16, M19)
72	0121L01121NG	LOUVERED CONTROL PANEL (M3, M6, M8, M11, M13, M15, M17, M18, M20)

Expanded Model Nomenclature

M1 - DCC036XXX3BJXFAA
M2 - DCC036XXX3BXXXAA
M3 - DCC036XXX3BXXXAB
M4 - DCC036XXX4BHXMAA
M5 - DCC036XXX4BHXAB
M6 - DCC036XXX4BHXAC
M7 - DCC036XXX4BXXBAB
M8 - DCC036XXX4BXXBAC
M9 - DCC036XXX4BXXXAA
M10 - DCC036XXX4BXXXAB
M11 - DCC036XXX4BXXXAC
M12 - DCC036XXX7BXXXAA
M13 - DCC036XXX7BXXXAB
M14 - DCC0360103BHXCAA
M15 - DCC0360103BHX CAB
M16 - DCC0360103BJXFAA
M17 - DCC0360104BHXBAC
M18 - DCC0360104BHXJAC
M19 - DCC0360154BAXJAB
M20 - DCC0360154BHXJAC

Partition Assy

Image 1

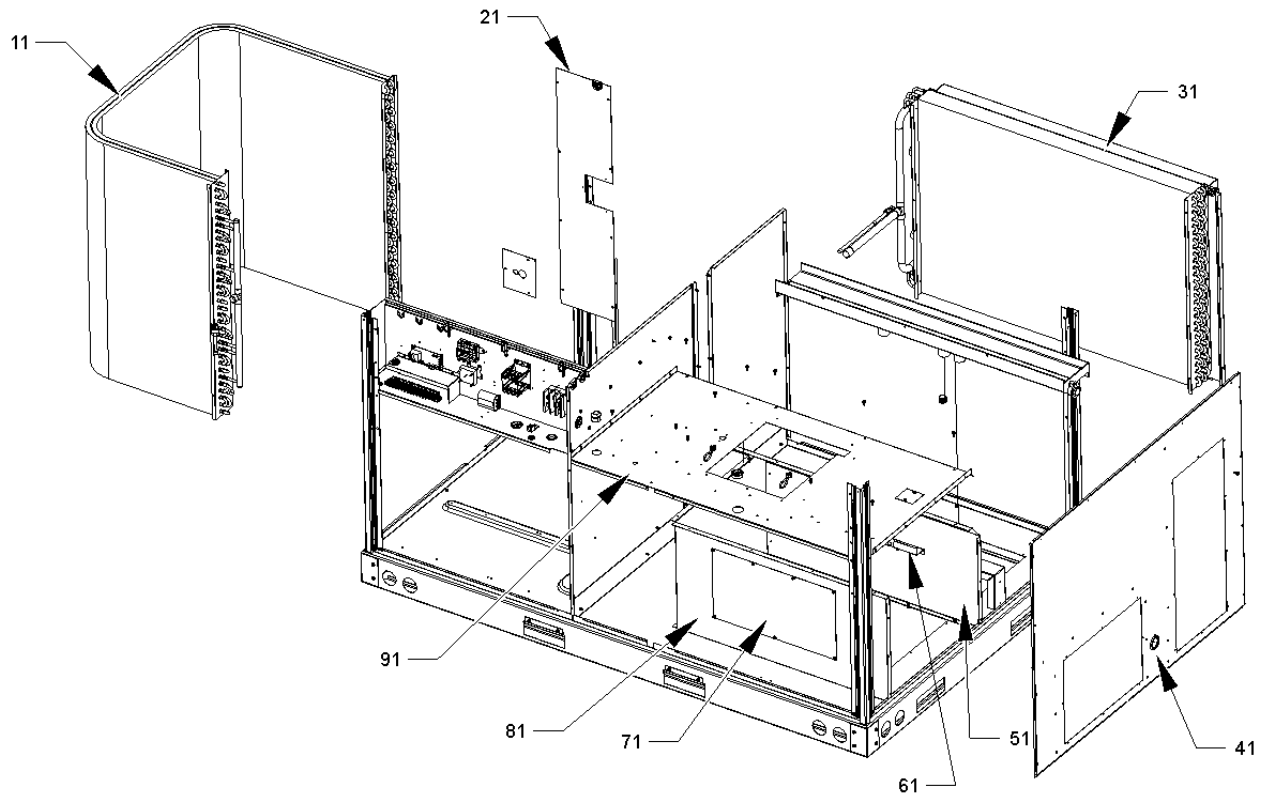
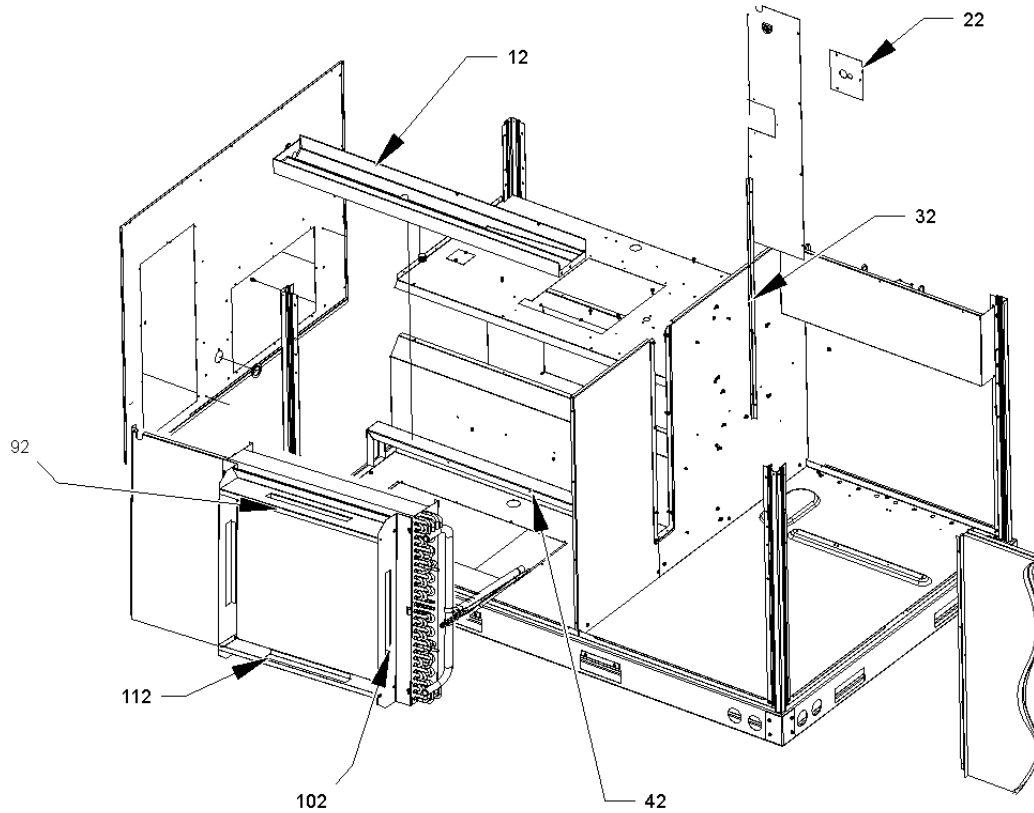


Image 2



Partition Assy

Ref. Part No:	No:	Description:	Ref. Part No:	No:	Description:
---------------	-----	--------------	---------------	-----	--------------

Image 1:

11	0201L00036	TUBING ASSY, COND COIL (M1, M2, M3, M4, M5, M6, M7, M8, M9, M10, M11, M14, M15, M16, M17, M18, M19, M20)
11	0201L00048	TUBING ASSY, COND COIL 575V (M12, M13)
21	0121L00311	COND BLOCK-OFF (M1, M2, M3, M4, M5, M6, M7, M8, M9, M10, M11, M14, M15, M16, M17, M18, M19, M20)
21	0121L00319	COND BLOCK-OFF (M12, M13)
31	0202L00024	TUBING ASSY, EVAP COIL
41	0154L00009	DRAIN PAN GASKET
51	0270L00291	CHANNEL DECK SIDE ASSY (M1, M2, M3, M4, M5, M6, M7, M8, M9, M10, M11, M14, M15, M16, M17, M18, M19, M20)
51	0121L00243	DECK SIDE CHANNEL (M12, M13)
61	0121L00288	ELECTRIC HEAT RETAINER
71	0121L00144	ELECTRIC HEAT COVER
81	0121L00256	ELECTRIC HEAT PANEL
91	0121L00242	BLOWER DECK (M12)
91	0121L01107	BLOWER DECK (M3, M6, M8, M11, M13, M15, M17, M18, M20)
91	0270L00662	BLOWER DECK ASSY (M1, M2, M4, M5, M7, M9, M10, M14, M16, M19)

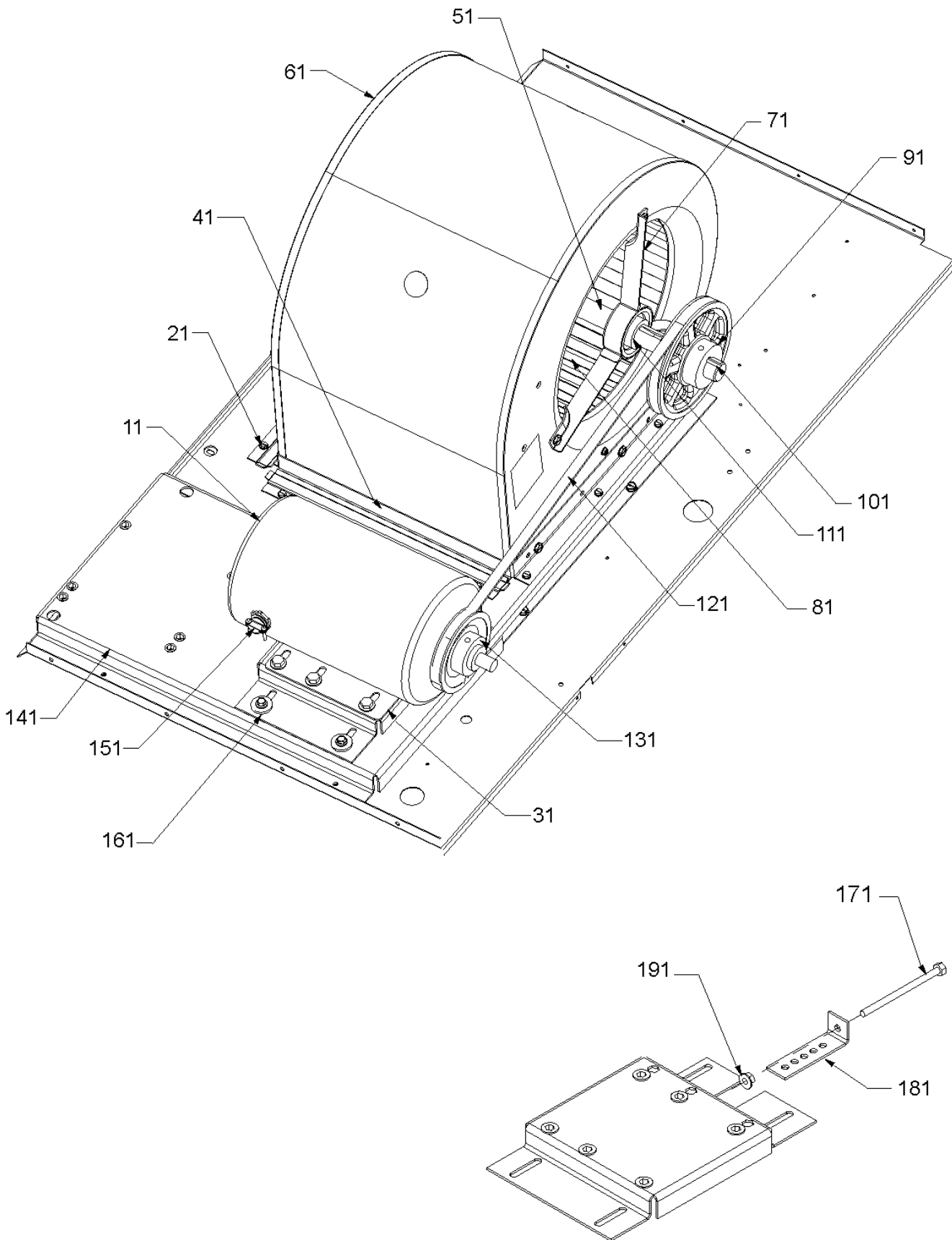
Image 2:

12	0161L00005	DRAIN PAN
22	0121L00939	CONDENSER BLOCKOFF PLATE
32	0121L00254	COND MOUNTING ANGLE
42	0121L00238	DRAIN PAN SUPPORT
92	0121L00290	FILTER ANGLE-TOP
102	0121L00292	FILTER ANGLE-VERTICAL (QTY 2)
112	0121L00291	FILTER ANGLE-BOTTOM
NS	0160L00046	FILTER 24 X 24

Expanded Model Nomenclature

M1 - DCC036XXX3BJXFAA
M2 - DCC036XXX3BXXXAA
M3 - DCC036XXX3BXXXAB
M4 - DCC036XXX4BHXMAA
M5 - DCC036XXX4BHXXAB
M6 - DCC036XXX4BHXXAC
M7 - DCC036XXX4BXXBAB
M8 - DCC036XXX4BXXBAC
M9 - DCC036XXX4BXXXAA
M10 - DCC036XXX4BXXXAB
M11 - DCC036XXX4BXXXAC
M12 - DCC036XXX7BXXXAA
M13 - DCC036XXX7BXXXAB
M14 - DCC0360103BHXCAA
M15 - DCC0360103BHXCAB
M16 - DCC0360103BJXFAA
M17 - DCC0360104BHXBAC
M18 - DCC0360104BHXJAC
M19 - DCC0360154BAXJAB
M20 - DCC0360154BHXJAC

Belt Drive Assy



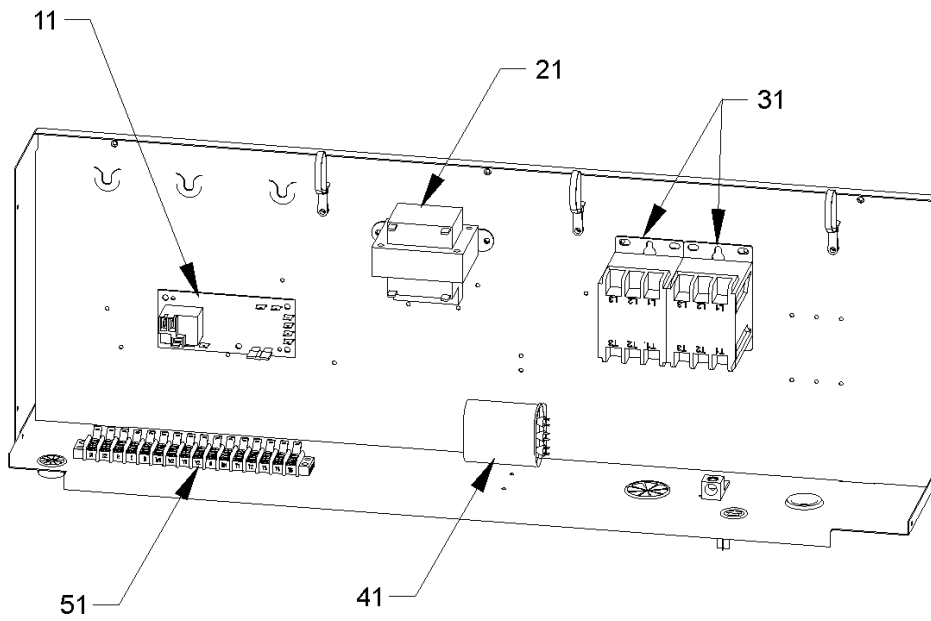
Belt Drive Assy

Ref. Part No:	No:	Description:	Ref. Part No:	No:	Description:
Image 1:					
11	0131L00003	BELT DRIVE MOTOR 1 HP (M1, M2, M3, M4, M5, M6, M7, M8, M9, M10, M11, M14, M15, M16, M17, M18, M19, M20)			
11	0131L00004	BELT DRIVE MOTOR 1.5 HP 575V (M12, M13)			
21	0121L00297	BLOWER SIDE ANGLE (QTY 3)			
31	0270L00334	MOTOR BASE ASSY (M1, M2, M3, M4, M5, M6, M7, M8, M9, M10, M11, M14, M15, M16, M17, M18, M19, M20)			
31	0270L00364	MOTOR BASE ASSY (M12, M13)			
41	0121L00281	BLOWER MOUNTING ANGLE			
51	0163L00005	BELT DRIVE BLOWER SHAFT			
61	2539302F	BLOWER HOUSING 11 X 10			
71	B3201300	MOUNTING BRACKET BEARING (QTY 2)			
81	B1368056	BELT DRIVE BLOWER WHEEL			
91	B2120011	FIXED SHEAVE			
101	B1398604	STEEL KEY (000158812) 2.0"			
111	B1399500	BALL BEARING 1.00" (QTY 2)			
121	0164L00010	FAN BELT, NOTCHED			
131	0163L00024	VARIABLE PITCH SHEAVE 1VL40 X 5/8"			
141	0270L00365	MOUNTING PLATE ASSY			
151	B1393726	ELECT. CONNECTING BUSHING			
161	B1393738	BOLT 1/4-20 X 3/4" (QTY 8)			
171	0163M00045	BOLT 1/4-20 X 4"			
181	3225000F	BELT TIGHTENER ANGLE			
191	B1393023	NUT / LOCK .25-20			
NS	1864703F	BLOWER CUT-OFF			
NS	B1398603	STEEL KEY (000158812) 4.5"			

Expanded Model Nomenclature

M1 - DCC036XXX3BJXFAA
M2 - DCC036XXX3BXXXAA
M3 - DCC036XXX3BXXXAB
M4 - DCC036XXX4BHXMAA
M5 - DCC036XXX4BHXAB
M6 - DCC036XXX4BHXAC
M7 - DCC036XXX4BXXBAB
M8 - DCC036XXX4BXXBAC
M9 - DCC036XXX4BXXXAA
M10 - DCC036XXX4BXXXAB
M11 - DCC036XXX4BXXXAC
M12 - DCC036XXX7BXXXAA
M13 - DCC036XXX7BXXXAB
M14 - DCC0360103BHXCAB
M15 - DCC0360103BHXCAB
M16 - DCC0360103BJXFAA
M17 - DCC0360104BHXBAC
M18 - DCC0360104BHXJAC
M19 - DCC0360154BAXJAB
M20 - DCC0360154BHXJAC

Control Box Assy



Control Box Assy

Ref. Part No:	No:	Description:	Ref. Part No:	No:	Description:
Image 1:					
11	PCBFM103	ELECTRONIC BLOWER TIME DELAY			
21	0130M00138	TRANSFORMER 208/230, 24V (M1, M2, M3, M14, M15, M16)			
21	0130M00145	TRANSFORMER 480V to 24V, 75VA (M4, M5, M6, M7, M8, M9, M10, M11, M17, M18, M19, M20)			
21	0130M00148	TRANSFORMER 575V to 24V, 75VA (M12, M13)			
31	CONT3P025024V	CONTACTOR 25 AMP, 3P, 24V (M4, M5, M6, M7, M8, M9, M10, M11, M12, M13, M17, M18, M19, M20)			
31	CONT3P030024V	CONTACTOR 30 AMP, 3P, 24V (M1, M2, M3, M14, M15, M16)			
41	CAP030000440LA	CAPACITOR 3/440V (M13)			
41	CAP050000370LA	CAPACITOR 5/370V (M1, M2, M3, M9, M12, M14, M15, M16)			
41	CAP075000370LA	CAPACITOR 7.5/370V (M4, M5, M6, M7, M8, M10, M11, M17, M18, M19, M20)			
51	0130M00038	TERMINAL BOARD			
NS	20520901	CAPACITOR STRAP (QTY 4)			
NS	0259L00178	HARNESS, ECONOMIZER			
NS	0259L00092	HARNESS-SMOKE DETECTOR SENSOR (M18, M19, M20)			
NS	0259L00090	WIRE HARNESS-SMOKE DETECTOR (M18, M19, M20)			
NS	0259L00054	WIRING HARNESS (M1, M2, M3, M12, M13, M14, M15, M16)			
NS	0259L00060	WIRING HARNESS (M4, M5, M6, M7, M8, M9, M10, M11, M17, M18, M19, M20)			
NS	0259L00061	WIRING HARNESS			
NS	0259L00064	WIRING HARNESS			
NS	0259L00065	WIRING HARNESS			

Expanded Model Nomenclature

M1 - DCC036XXX3BJXFAA
M2 - DCC036XXX3BXXXAA
M3 - DCC036XXX3BXXXAB
M4 - DCC036XXX4BHXMAA
M5 - DCC036XXX4BHXAB
M6 - DCC036XXX4BHXAC
M7 - DCC036XXX4BXXBAB
M8 - DCC036XXX4BXXBAC
M9 - DCC036XXX4BXXXAA
M10 - DCC036XXX4BXXXAB
M11 - DCC036XXX4BXXXAC
M12 - DCC036XXX7BXXXAA
M13 - DCC036XXX7BXXXAB
M14 - DCC0360103BHXCAB
M15 - DCC0360103BHXCAB
M16 - DCC0360103BJXFAA
M17 - DCC0360104BHXBAC
M18 - DCC0360104BHXJAC
M19 - DCC0360154BAXJAB
M20 - DCC0360154BHXJAC

Accessory Parts List

Accessory Parts List

Ref. Part No:	No:	Description:	Ref. Part No:	No:	Description:
Image 1:					
NS	0121L00332	BRACKET-SMOKE DETECTOR (M18, M19, M20)			
NS	0130M00065	CIRCUIT BREAKER, CONVENIENCE OUTLET (M4, M7, M8, M17)			
NS	0130L00010	COVER-GANG GFCI VERT OUTLET (M1, M16, M18, M19, M20)			
NS	0270L00581	DISCONNECT COVER ASSY (M1, M4, M5, M6, M14, M15, M16, M17, M18, M20)			
NS	0130L00012	GANG BOX-GFCI OUTLET (M1, M16, M18, M19, M20)			
NS	0130L00039	HANDLE, ROTARY (M1, M4, M5, M6, M14, M15, M16, M17, M18, M20)			
NS	LAKT01	LOW AMBIENT KIT (M1, M4, M14, M15, M16)			
NS	0130L00011	RECEPTACLE-GFCI OUTLET (M1, M16, M18, M19, M20)			
NS	0130L00042	SHAFT, CUT (M1, M4, M5, M6, M14, M15, M16, M17, M18, M20)			
NS	D4120	SMOKE DETECTOR, PHOTO 4WIRE (M18, M19, M20)			
NS	D4S	SMOKE DETECTOR, SENSOR ONLY (M18, M19, M20)			
NS	0130L00046	SWITCH-DISCONNECT 60A (M1, M4, M5, M6, M14, M15, M16, M17, M18, M20)			
NS	0130M00061	TRANSFORMER, CONVENIENCE OUTLET (M4, M7, M8, M17)			

Expanded Model Nomenclature

M1 - DCC036XXX3BJXFAA
M2 - DCC036XXX3BXXXAA
M3 - DCC036XXX3BXXXAB
M4 - DCC036XXX4BHXMAA
M5 - DCC036XXX4BHXAB
M6 - DCC036XXX4BHXAC
M7 - DCC036XXX4BXXBAB
M8 - DCC036XXX4BXXBAC
M9 - DCC036XXX4BXXXAA
M10 - DCC036XXX4BXXXAB
M11 - DCC036XXX4BXXXAC
M12 - DCC036XXX7BXXXAA
M13 - DCC036XXX7BXXXAB
M14 - DCC0360103BHXCAA
M15 - DCC0360103BHX CAB
M16 - DCC0360103BJXFAA
M17 - DCC0360104BHXBAC
M18 - DCC0360104BHXJAC
M19 - DCC0360154BAXJAB
M20 - DCC0360154BHXJAC