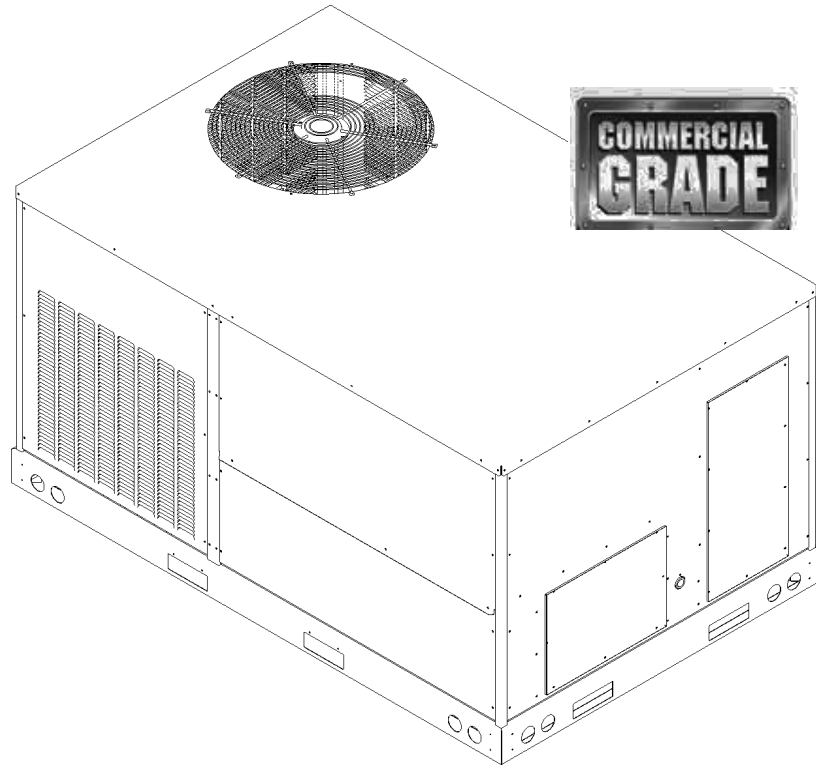


Commercial 3 Ton Direct Drive Package Cooling Unit

DCC036XXX1DXXAAA
DCC036XXX1DXXXAA
DCC036XXX1DXXXAB
DCC036XXX3DHXXAA
DCC036XXX3DHXXAB
DCC036XXX3DXXXAA
DCC036XXX3DXXXAB



This manual is to be used by qualified technicians only.

This manual replaces RP-D1014C.

Important Information

Index

Functional Parts List	3
Illustration and Parts	4 - 13

Views shown are for parts illustrations only, not servicing procedures

Text Codes:

AR - As Required

NA - Not Available

NS - Not Shown

00000000 - See Note

QTY - Quantity Example (QTY 3) (If Quantity not shown, Quantity = 1)

M - Model Example (M1) (If M Code not shown, then part is used on all Models)

Expanded Model Nomenclature:

Example M1 - Model#1 M2 - Model#2 M3 - Model#3

Daikin Company, L.P. is not responsible for personal injury or property damage resulting from improper service. Review all service information before beginning repairs.

Warranty service must be performed by an authorized technician, using authorized factory parts. If service is required after the warranty expires, Daikin Company, L.P. also recommends contacting an authorized technician and using authorized factory parts.

Daikin Company, L.P. reserves the right to discontinue, or change at any time, specifications or designs without notice or without incurring obligations.

For assistance within the U.S.A. contact:

Consumer Affairs Department

Daikin North America, LLC

7401 Security Way

Houston, Texas 77040

855-770-5678-Telephone

713-863-2382-Facsimile

For assistance outside the U.S.A. contact:

International Division

Daikin North America, LLC

7401 Security Way

Houston, Texas 77040

713-861-2500-Telephone

713-863-2382-Facsimile

Functional Parts

Part

No: **Description:**

0130M00025	24V RELAY
D6723303	BLOWER WHEEL
CAP100000370LA	CAPACITOR 10/370V
CAP050000370LA	CAPACITOR 5/370V (M4, M5, M6, M7)
CAP050450440CT	CAPACITOR 5/45/440V/DUAL RD (M1, M2,
ZP31K5EPFV130	COMPRESSOR 31100, 208/230/60/1 (M1, M2, M3)
ZP31K5ETF5130	COMPRESSOR 31200, 200/230/60/3 (M4, M5, M6, M7)
0131M00429	COND MOTOR 1/4 HP, 1 SP,6 PL
CONT3P025024V	CONTACTOR 25 AMP, 3P, 24V (M4, M5, M6, M7)
CONT1P030024V	CONTACTOR 30 AMP, 1P, 24V (M1, M2, M3)
0130L00007	CUT-OUT SWITCH, HIGH PRESSURE
0130L00007	CUT-OUT SWITCH, LOW PRESSURE
PCBFM103	ELECTRONIC BLOWER TIME DELAY
0150G00001	FAN BLADE
0130M00138	TRANSFORMER 208/230, 24V

Expanded Model Nomenclature

M1 - DCC036XXX1DXXXAA
M2 - DCC036XXX1DXXXAA
M3 - DCC036XXX1DXXXAB
M4 - DCC036XXX3DHXXAA
M5 - DCC036XXX3DHXXAB
M6 - DCC036XXX3DXXXAA
M7 - DCC036XXX3DXXXAB

Top Panel / Compressor / Tubing Assy

Image 1

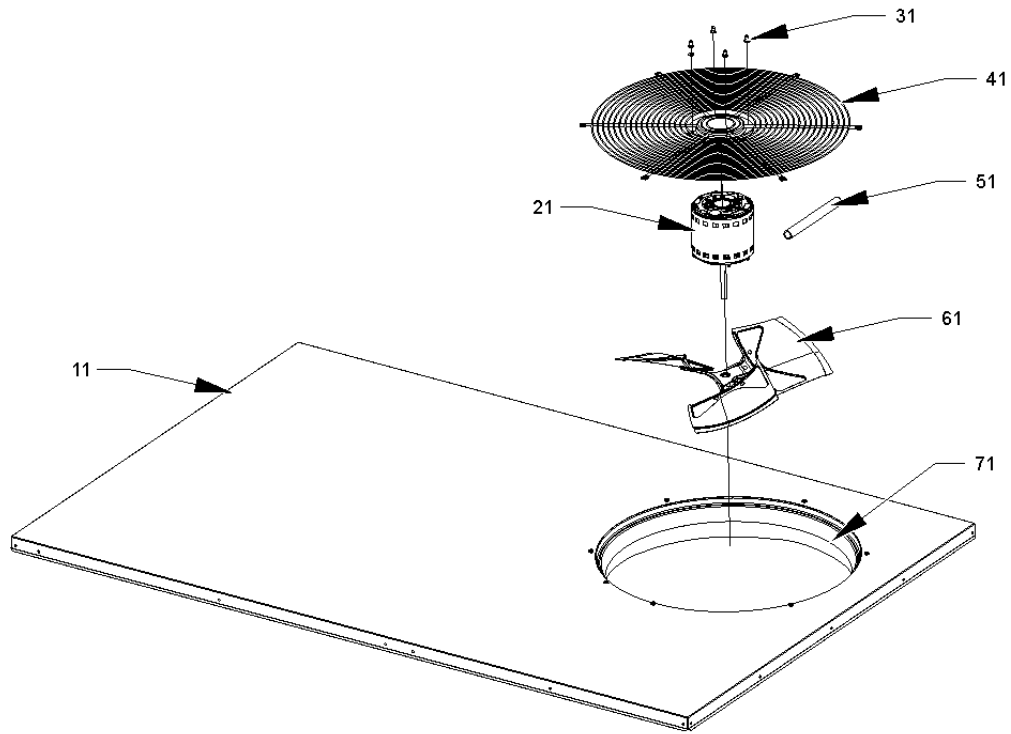
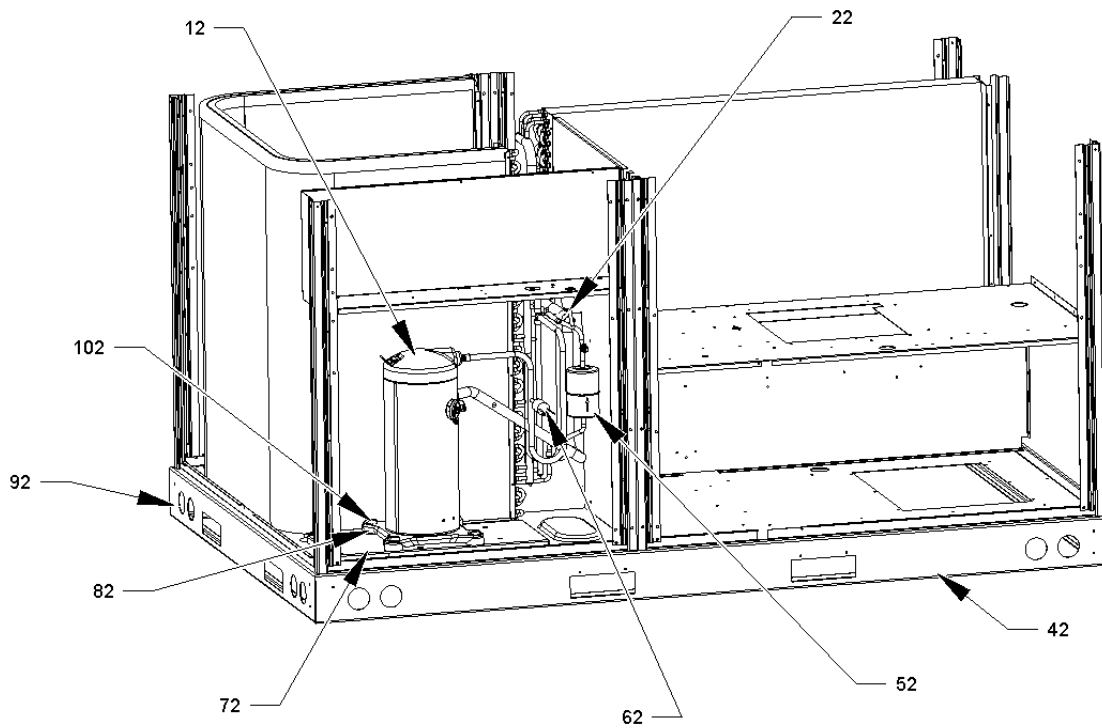


Image 2



Top Panel / Compressor / Tubing Assy

Ref. Part No: No:	Description:	Ref. Part No: No:	Description:
-------------------	--------------	-------------------	--------------

Image 1:

11	0121L00235NG	TOP PANEL
21	0131M00429	COND MOTOR 1/4 HP, 1 SP,6 PL
31	0163M00006P	ACORN NUT 5/16 HEX BLACK (QTY 4)
41	0152G00003	FAN GRILLE
51	17788000083F	PVC CONDUIT 8.25"
61	0150G00001	FAN BLADE
71	0161L00000	VENTURI RING 22"
NS	0163M00004	SCREW #10X3/4", BLACK (QTY 8)
NS	0163M00005P	WASHER, BLAK (.50 OD .218ID) (QTY 4)

Image 2:

12	ZP31K5EPFV130	COMPRESSOR 31100, 208/230/60/1 (M1, M2, M3)
12	ZP31K5ETF5130	COMPRESSOR 31200, 200/230/60/3 (M4, M5, M6, M7)
22	0130L00007	CUT-OUT SWITCH, HIGH PRESSURE
42	0121L00244RF	SIDE RAIL (QTY 2)
52	B1219225	SINGLE-FLOW FILTER DRIER, STEEL
62	0130L00007	CUT-OUT SWITCH, LOW PRESSURE
72	0121L00310	COMPRESSOR MOUNTING PLATE
82	B1339533	COMPRESSOR GROMMET (QTY 4)
92	0121L00245	END RAIL (QTY 2)
102	M0221641	TF SHOULDER SCREW (QTY 4)
NS	0159L00027	COMPRESSOR SCROLL HARNESS (M1, M2, M3)
NS	0159L00028	COMPRESSOR SCROLL HARNESS (M4, M5, M6, M7)

Expanded Model Nomenclature

M1 - DCC036XXX1DXXAAA
M2 - DCC036XXX1DXXXAA
M3 - DCC036XXX1DXXXAB
M4 - DCC036XXX3DHXXAA
M5 - DCC036XXX3DHXXAB
M6 - DCC036XXX3DXXXAA
M7 - DCC036XXX3DXXXAB

Cabinet Assy

Image 1

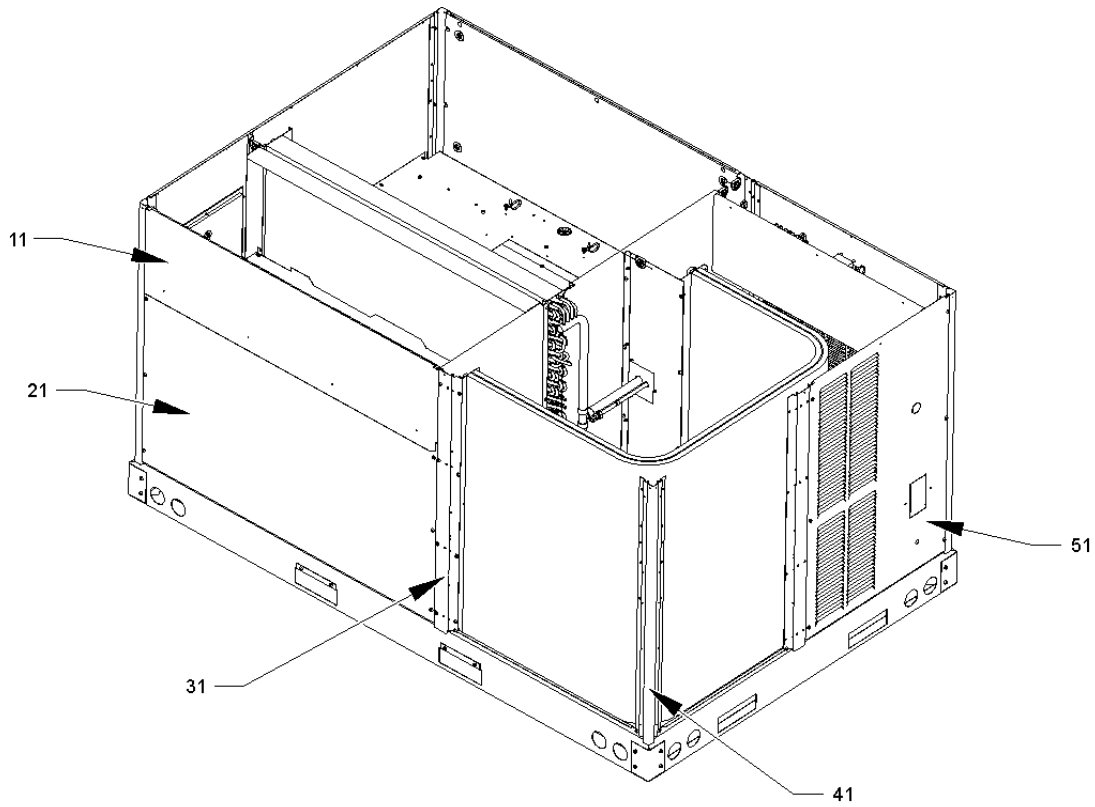
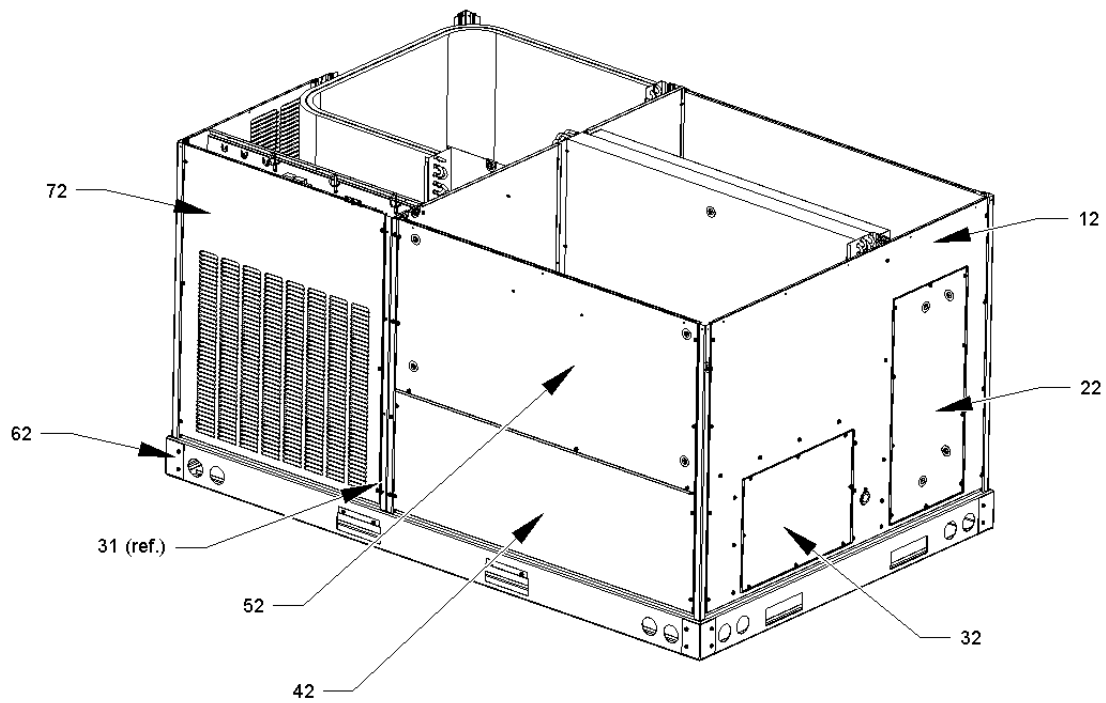


Image 2



Cabinet Assy

Ref. Part No: No:	Description:	Ref. Part No: No:	Description:
-------------------	--------------	-------------------	--------------

Image 1:

11	0270L00362NG	FILTER DOOR
21	0121L00976NG	ECONOMIZER DOOR
31	0121L00233RFNG	POST-SIDE SUPPORT (QTY 3)
41	0121L00237RFNG	CORNER POST (QTY 4)
51	0121L00263NG	LOUVERED COMPRESSOR PANEL
NS	0164L00009	GASKET-RUBBER, CPOST (QTY 3)
NS	0164L00011	GASKET-RUBBER, SIDE POST (QTY 2)

Image 2:

12	0121L00236NG	DUCT PANEL
22	0121L00023NG	RETURN DUCT COVER
32	0121L00024NG	SUPPLY DUCT COVER
42	0121L00279NG	ELECTRIC HEAT DOOR (M1, M2, M4, M6)
42	0121L01176NG	ELECTRIC HEAT DOOR (M3, M5, M7)
52	0121L00259NG	BLOWER DOOR (M1, M2, M4, M6)
52	0121L01157NG	BLOWER DOOR (M3, M5, M7)
62	0121G00301	RAIL CORNER BRACKET (QTY 4)
72	0121L00262NG	LOUVERED CONTROL PANEL (M1, M2, M4, M6)

Expanded Model Nomenclature

M1 - DCC036XXX1DXXAAA
M2 - DCC036XXX1DXXXAA
M3 - DCC036XXX1DXXXAB
M4 - DCC036XXX3DHXXAA
M5 - DCC036XXX3DHXXAB
M6 - DCC036XXX3DXXXAA
M7 - DCC036XXX3DXXXAB

Partion Assy / Condenser / Evaporator

Image 1

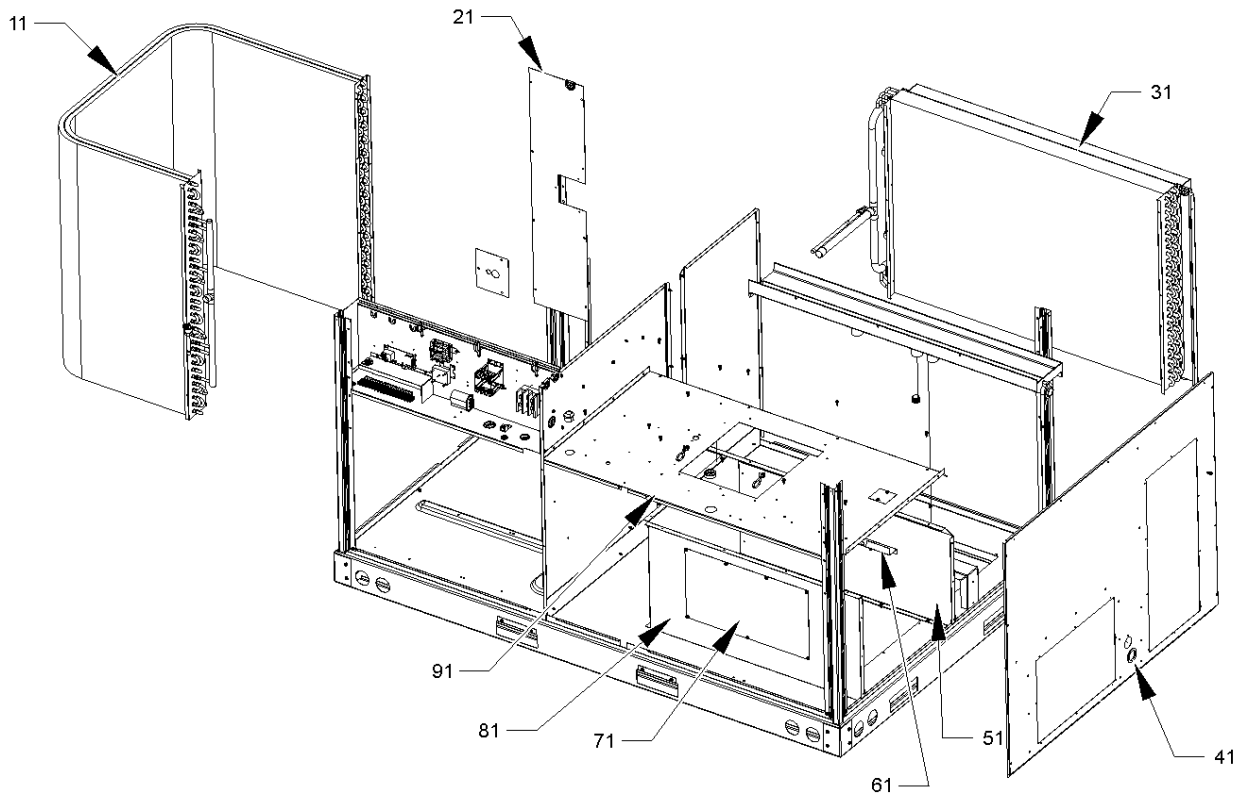
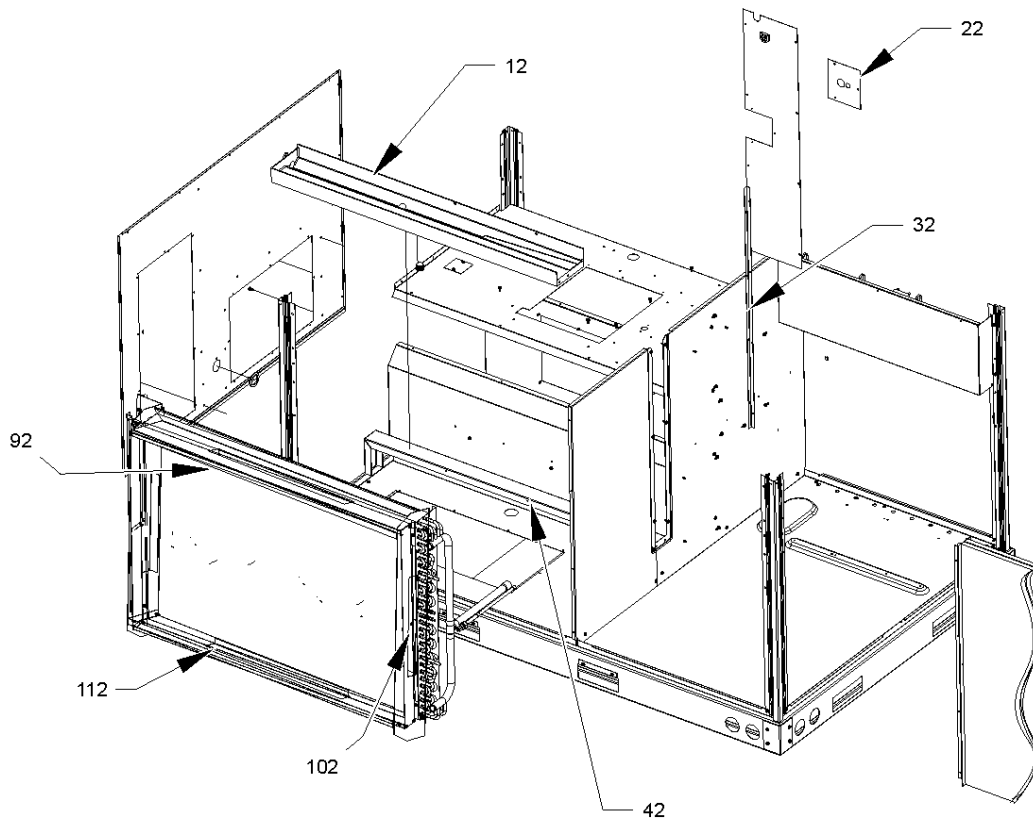


Image 2



Partion Assy / Condenser / Evaporator

Ref. Part No: No:	Description:	Ref. Part No: No:	Description:
-------------------	--------------	-------------------	--------------

Image 1:

11	0201L00036	TUBING ASSY, COND COIL
21	0121L00311	COND BLOCK-OFF
31	0202L00024	TUBING ASSY, EVAP COIL
41	0154L00009	DRAIN PAN GASKET
51	0121L00243	DECK SIDE CHANNEL
61	0121L00288	ELECTRIC HEAT RETAINER
71	0121L00144	ELECTRIC HEAT COVER
81	0121L00256	ELECTRIC HEAT PANEL
91	0121L01107	BLOWER DECK (M3, M5, M7)
91	0121L01205	BLOWER DECK (M1, M2, M4, M6)

Image 2:

12	0161L00005	DRAIN PAN
22	0121L00939	CONDENSER BLOCKOFF PLATE
32	0121L00254	COND MOUNTING ANGLE
42	0121L00238	DRAIN PAN SUPPORT
92	0121L00290	FILTER ANGLE-TOP
102	0121L00292	FILTER ANGLE-VERTICAL (QTY 2)
112	0121L00291	FILTER ANGLE-BOTTOM
NS	0160L00046	FILTER 24 X 24

Expanded Model Nomenclature

M1 - DCC036XXX1DXXXAA
M2 - DCC036XXX1DXXXAA
M3 - DCC036XXX1DXXXAB
M4 - DCC036XXX3DHXXAA
M5 - DCC036XXX3DHXXAB
M6 - DCC036XXX3DXXXAA
M7 - DCC036XXX3DXXXAB

Blower Assy / Control Box Assy

Image 1

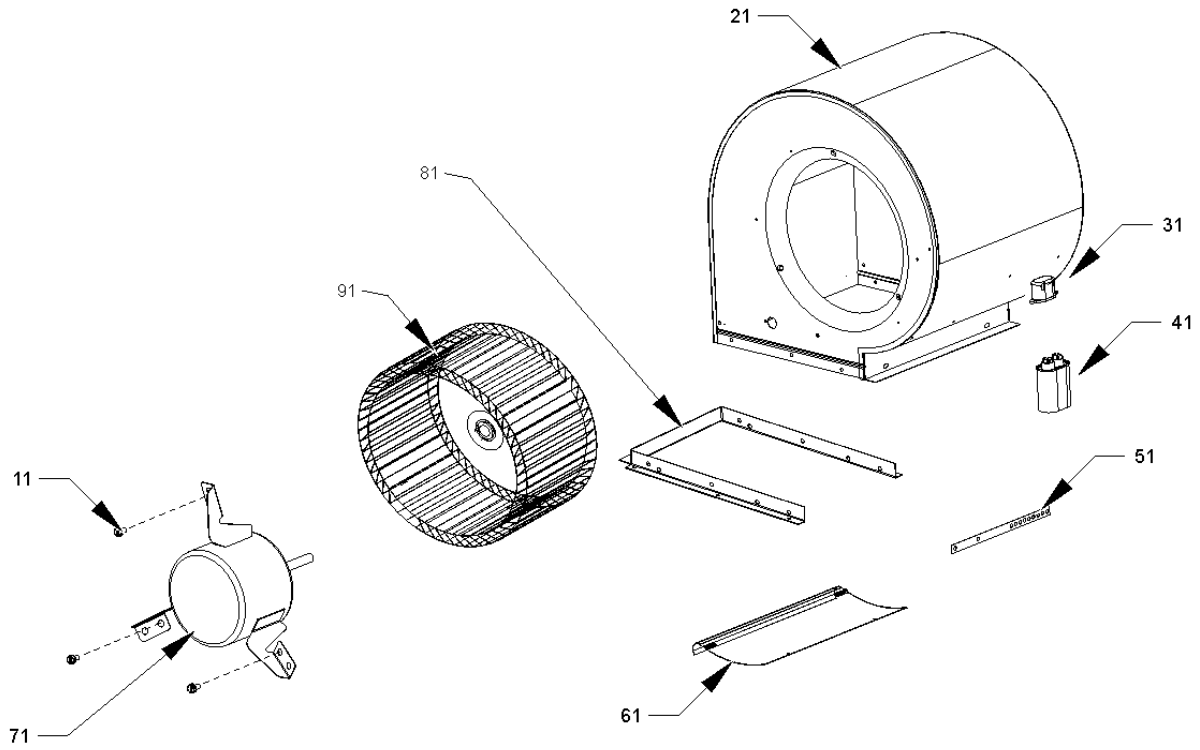
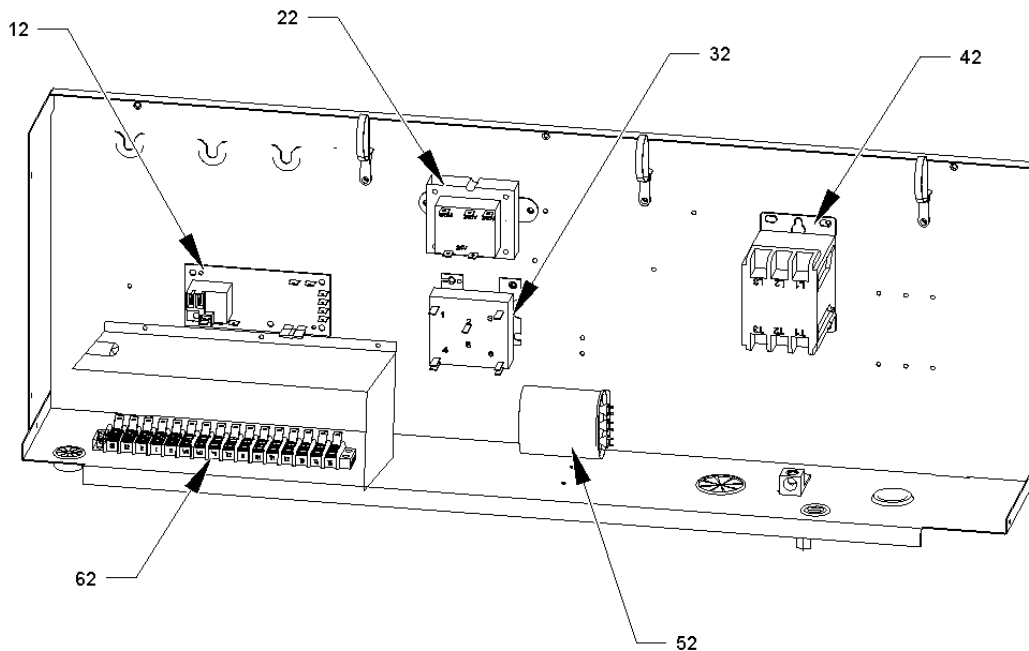


Image 2



Blower Assy / Control Box Assy

Ref. Part No: No:	Description:	Ref. Part No: No:	Description:
-------------------	--------------	-------------------	--------------

Image 1:

11	M0250558	TC SCREW (QTY 3)
21	11185817	BLOWER HOUSING
31	B821700	CAPACITOR BOOT
41	CAP100000370LA	CAPACITOR 10/370V
51	20520901	CAPACITOR STRAP
61	C6121806	BLOWER CUT-OFF
71	0131M00126	BLOWER MOTOR
81	0121L00308	BLOWER MOUNTING ANGLE
91	D6723303	BLOWER WHEEL

Image 2:

12	PCBFM103	ELECTRONIC BLOWER TIME DELAY
22	0130M00138	TRANSFORMER 208/230, 24V
32	0130M00025	24V RELAY
42	CONT3P025024V	CONTACTOR 25 AMP, 3P, 24V (M4, M5, M6, M7)
42	CONT1P030024V	CONTACTOR 30 AMP, 1P, 24V (M1, M2, M3)
52	CAP050000370LA	CAPACITOR 5/370V (M4, M5, M6, M7)
52	CAP050450440CT	CAPACITOR 5/45/440V/DUAL RD (M1, M2, M3)
62	0130M00038	TERMINAL BOARD
NS	20520901	CAPACITOR STRAP
NS	0259L00079	WIRE HARNESS, EVAP MOTOR
NS	0259L00080	WIRE HARNESS-CONTROL
NS	0259L00054	WIRING HARNESS
NS	0259L00061	WIRING HARNESS

Expanded Model Nomenclature

M1 - DCC036XXX1DXXXAA
M2 - DCC036XXX1DXXXAA
M3 - DCC036XXX1DXXXAB
M4 - DCC036XXX3DHXXAA
M5 - DCC036XXX3DHXXAB
M6 - DCC036XXX3DXXXAA
M7 - DCC036XXX3DXXXAB

ACCESSORY PARTS LIST

Accessory Parts

Ref. Part No:	No:	Description:	Ref. Part No:	No:	Description:
<i>Image 1:</i>					
NS	0270L00581	DISCONNECT COVER ASSY (M4, M5)			
NS	0130L00012	GANG BOX-GFCI OUTLET (M1)			
NS	0130L00039	HANDLE, ROTARY (M4, M5)			
NS	0161G00012	POWER OUTLET BOX (M1)			
NS	0130L00011	RECEPTACLE-GFCI OUTLET (M1)			
NS	0130L00042	SHAFT, CUT (M4, M5)			
NS	0130L00046	SWITCH-DISCONNECT 60A (M4, M5)			

Expanded Model Nomenclature

- M1 - DCC036XXX1DXXXAA
- M2 - DCC036XXX1DXXXAA
- M3 - DCC036XXX1DXXXAB
- M4 - DCC036XXX3DHXXAA
- M5 - DCC036XXX3DHXXAB
- M6 - DCC036XXX3DXXXAA
- M7 - DCC036XXX3DXXXAB