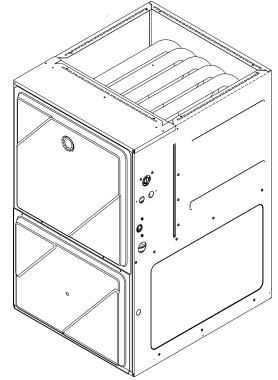


DC97MC 97% ECM Counter Flow Furnace

DC97MC0603BNAA
DC97MC0603BNAB
DC97MC0803BNAA
DC97MC0803BNAB
DC97MC0804CNAA
DC97MC0804CNAB
DC97MC1005CNAA
DC97MC1005CNAB



This manual is to be used by qualified technicians only.

This manual replaces RP-D2015C.

Important Information

Index

Functional Parts List	3
Illustration and Parts	4 - 11

Views shown are for parts illustrations only, not servicing procedures.

Text Codes:

AR - As Required

NA - Not Available

NS - Not Shown

00000000 - See Note

QTY - Quantity Example (QTY 3) (If Quantity not shown, Quantity = 1)

M - Model Example (M1) (If M Code not shown, then part is used on all Models)

Expanded Model Nomenclature:

Example
M1 - Model#1
M2 - Model#2
M3 - Model#3

Daikin Comfort Technologies Manufacturing , L.P. is not responsible for personal injury or property damage resulting from improper service. Review all service information before beginning repairs.

Warranty service must be performed by an authorized technician, using authorized factory parts. If service is required after the warranty expires, Daikin Comfort Technologies Manufacturing , L.P. also recommends contacting an authorized technician and using authorized factory parts.

Daikin Comfort Technologies Manufacturing , L.P. reserves the right to discontinue, or change at any time, specifications or designs without notice or without incurring obligations.

For assistance within the U.S.A. contact:
Homeowner Support
Daikin Comfort Technologies Manufacturing , L.P.
19001 Kermier Road
Waller, Texas 77484
855-770-5678-Telephone
713-863-2382-Facsimile

For assistance outside the U.S.A. contact:
International Division
Daikin Comfort Technologies Manufacturing , L.P.
19001 Kermier Road
Waller, Texas 77484
713-861-2500-Telephone
713-863-2382-Facsimile

Functional Parts

Part

No: Description:

20162904	*PRIMARY LIMIT-TEMPERATURE CONTROL (M3, M4)
0130F00038	AUX LIMIT - LT BLUE 120° (QTY 2)
SHARED DATA	Available thru CoolCloud HVAC app.
0163F00017	BECKETT BURNER (QTY 3)
0130F00010	FLAME SENSOR
0151M00024	GAS VALVE
0257F00357	HEAT EXCHANGER ASSY (M7, M8)
0257F00356	HEAT EXCHANGER ASSY (M5, M6)
0257F00355	HEAT EXCHANGER ASSY (M3, M4)
0257F00332	HEAT EXCHANGER ASSY (M1, M2)
0130F00008	IGNITOR-SINI 17 SEC
0130M00141	INDUCTOR, 5.9 AMPS (M5, M6, M7, M8)
0130M00243	INTERLOCK SWITCH
10123529	MANUAL RESET R.O.S. LIMIT (QTY 2)
0271F00507	MORRISON 11 X 10 BLOWER (M5, M6, M7, M8)
0271F00506	MORRISON 11 X 8 BLOWER (M1, M2, M3, M4)
0131M01011	MOTOR, 1 HP (M8)
0131M00272	MOTOR, 1 HP, SERIAL ECM (M7)
0131M01002	MOTOR, 1/2 HP (M2, M4)
0131M00270	MOTOR, 1/2 HP, SERIAL ECM (M1, M3)
0131M01003	MOTOR, 3/4 HP (M6)
0131M00271	MOTOR, 3/4 HP, SERIAL ECM (M5)
0171M00003	MOTOR-ID, BLOWER
PCBKF202	PCB, FURNACE CONTROL
0130F00429	PRESSURE SWITCH
0130F00482	PRESSURE, SWITCH (M2, M4, M6)
0130F00483	PRESSURE, SWITCH (M7, M8)
0130F00956	PRESSURE, SWITCH (M1, M3, M5)
0130F00036	PRIMARY LIMIT - PINK (M1, M2, M7, M8)
20162901	PRIMARY LIMIT-RED (M5, M6)
0130M00140	TRANSFORMER 120V TO 24V, 40VA

SPECIAL PARTS

0161F00090 NAMEPLATE, DAIKIN

Expanded Model Nomenclature

M1 - DC97MC0603BNAA
M2 - DC97MC0603BNAB
M3 - DC97MC0803BNAA
M4 - DC97MC0803BNAB
M5 - DC97MC0804CNAA
M6 - DC97MC0804CNAB
M7 - DC97MC1005CNAA
M8 - DC97MC1005CNAB

Cabinet

Image 1

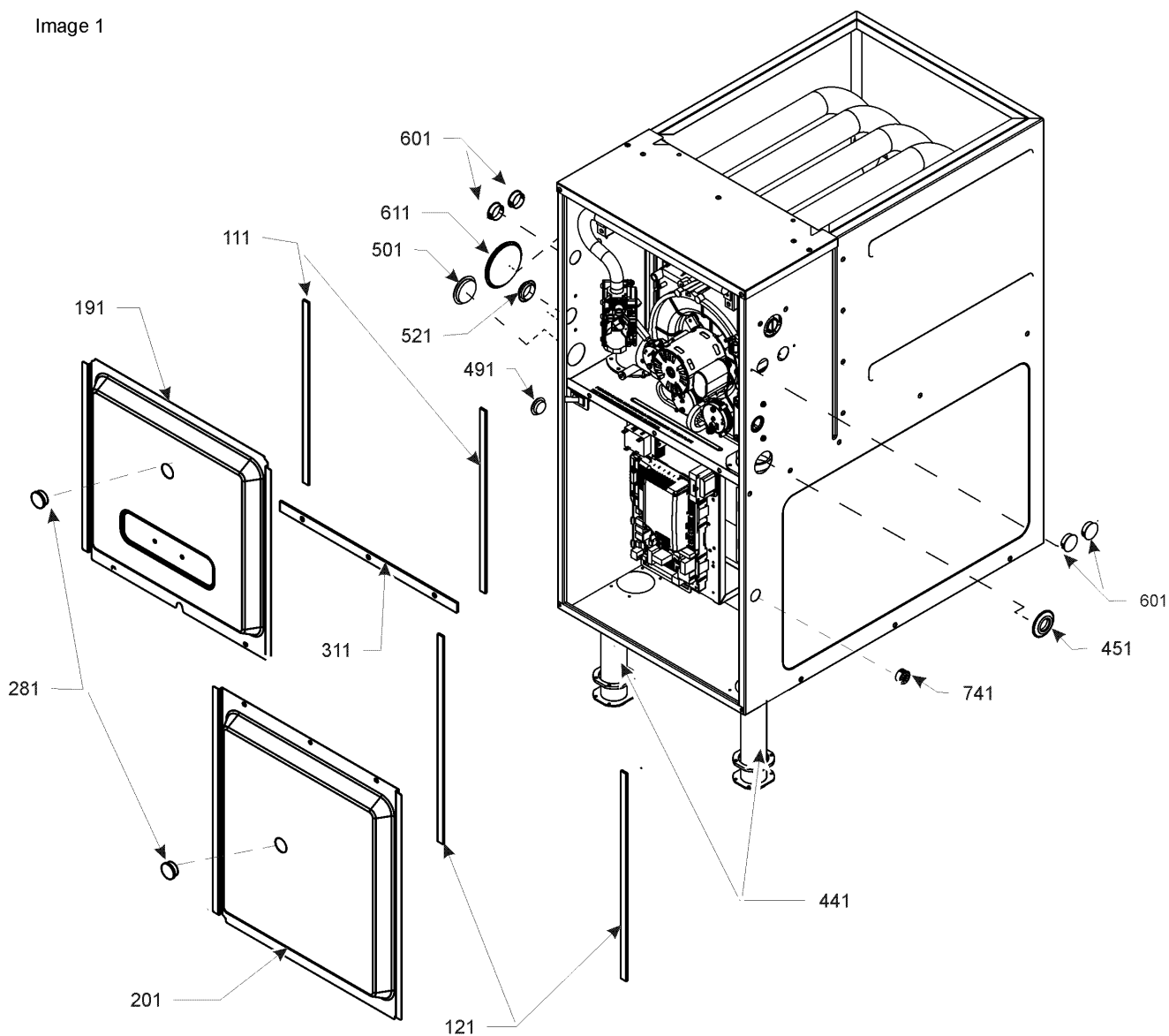
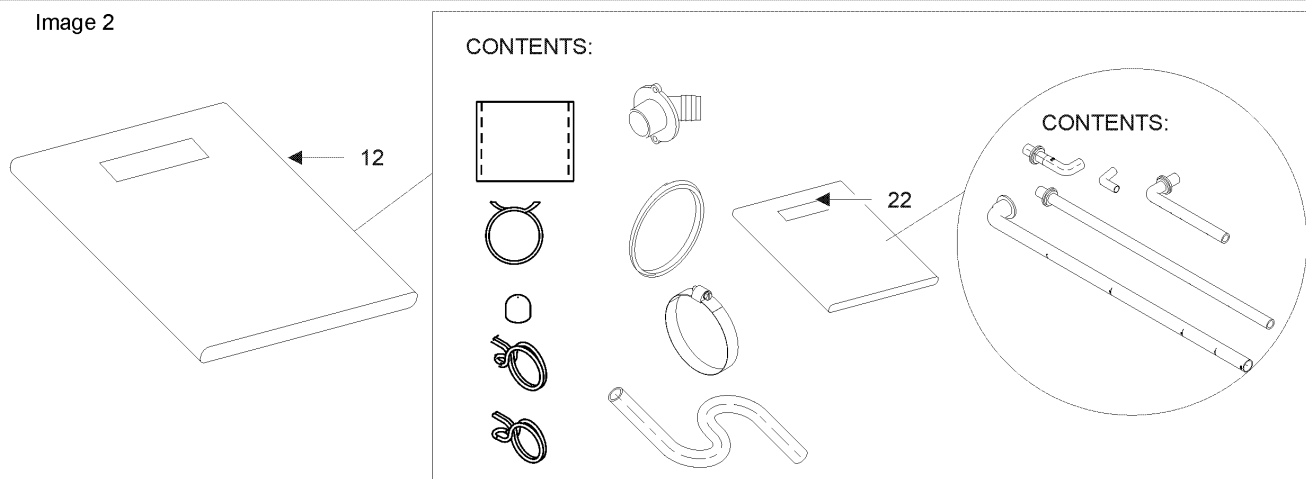


Image 2



Cabinet

Ref. Part No:	Ref. Part No:	Description:	Description:
---------------	---------------	--------------	--------------

Image 1:

111	0154F00024	GASKET (QTY 2)
121	0154F00025	GASKET (QTY 2)
191	0121F00337NG	DOOR, ACCESS 17.5" PNT (M1, M2, M3, M4)
191	0121F00338NG	DOOR, ACCESS 21" PNT (M5, M6, M7, M8)
201	0121F00340NG	DOOR, BLOWER 17.5" PNT (M1, M2, M3, M4)
201	0121F00341NG	DOOR, BLOWER 21" PNT (M5, M6, M7, M8)
281	B1392139	VIEW PORT BUSHING-BLOWER DOOR (QTY 2)
311	0154F00020	GASKET, DECK (M1, M2, M3, M4)
311	0154F00021	GASKET, DECK (M5, M6, M7, M8)
441	0161F00064	PIPE, STRAIGHT CF (QTY 2)
451	M0501301	PIPE GROMMET
491	M0570808	BUTTON PLUG
501	M0570806	BUTTON PLUG
521	0161M00027	PLUG, HOLE
601	B1392021	PLASTIC PLUG, 1" (2713-BLK) (QTY 4)
611	0163M00460	CLAMP-HOSE (QTY 2)
741	B1392104	UNIVERSAL BUSHING UB 875
NS	M0310345	BUTTON PLUG (QTY 2)
NS	M0570807	BUTTON PLUG
NS	0270F03125	CF DRAIN TUBE ASSY (M1, M2, M3, M4)
NS	0270F03126	CF DRAIN TUBE ASSY (M5, M6, M7, M8)
NS	0270F03514	CF DRAIN TUBE ASSY (M1, M2, M3, M4)
NS	0270F03515	CF DRAIN TUBE ASSY (M5, M6, M7, M8)
NS	M0209730	DECORATIVE SCREW (QTY 3)
NS	0154F00041	GASKET FRESH AIR
NS	0161F00090	NAMEPLATE, DAIKIN
NS	M0273904	RETAINER-SCREW (QTY 3)

Image 2:

12	0270F05403	DRAIN KIT ASSY
22	0270F05403	DRAIN KIT ASSY

Expanded Model Nomenclature

- | |
|---------------------|
| M1 - DC97MC0603BNAA |
| M2 - DC97MC0603BNAB |
| M3 - DC97MC0803BNAA |
| M4 - DC97MC0803BNAB |
| M5 - DC97MC0804CNAA |
| M6 - DC97MC0804CNAB |
| M7 - DC97MC1005CNAA |
| M8 - DC97MC1005CNAB |

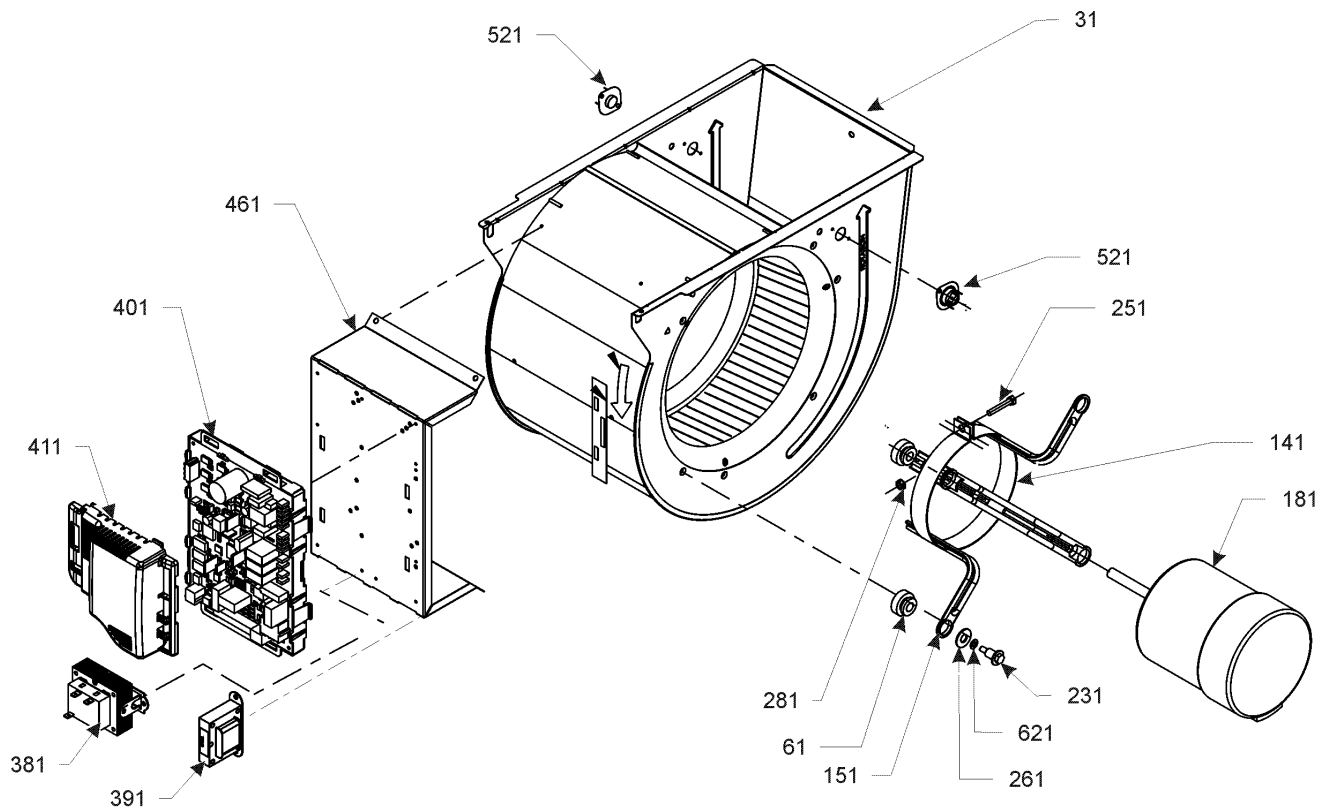
Blower Assembly

*If end bells are needed please order the following:

0131M00182 - 1/2 HP

0131M00183 - 3/4 HP

0131M00184 - 1 HP



Blower Assembly

Ref. Part No:	Part No:	Description:	Ref. Part No:	Part No:	Description:
---------------	----------	--------------	---------------	----------	--------------

Image 1:

31	0271F00507	MORRISON 11 X 10 BLOWER (M5, M6, M7, M8)
31	0271F00506	MORRISON 11 X 8 BLOWER (M1, M2, M3, M4)
61	A4002702	BLOWER MOTOR GROMMET (M5, M6, M7, M8)
141	0121M00038	MOTOR MOUNT BAND (M1, M2, M3, M4)
141	10441601	MOTOR MOUNT BAND (M5, M6, M7, M8)
151	10441501	MOTOR MOUNT ARM (M5, M6, M7, M8)
151	B1376857	MOTOR MOUNT ARM (M1, M2, M3, M4)
181	0131M01011	MOTOR, 1 HP (M8)
181	0131M00272	MOTOR, 1 HP, SERIAL ECM (M7)
181	0131M01002	MOTOR, 1/2 HP (M2, M4)
181	0131M00270	MOTOR, 1/2 HP, SERIAL ECM (M1, M3)
181	0131M01003	MOTOR, 3/4 HP (M6)
181	0131M00271	MOTOR, 3/4 HP, SERIAL ECM (M5)
231	0163F00028	SCREW (M5, M6, M7, M8)
231	M0250565	TC SCREW 1.25" (M1, M2, M3, M4)
251	M0267144	MACHINE SCREW (M5, M7, M8)
251	B1393323	MACHINE SCREW HWH 1/4-20 X 1-1/2 BZ (M1, M2, M3, M4, M6)
261	B1392918	WASHER, FLAT 1/4 ID X 1 OD (M1, M2, M3, M4)
261	M0274008	WASHER-FLAT (M5, M6, M7, M8)
281	M0282015	KEPS NUT (M5, M7, M8)
281	B1393800	LOCKNUT, NYLON, INSERT 1/4, 20 (M1, M2, M3, M4, M6)
381	0130M00140	TRANSFORMER 120V TO 24V, 40VA
391	0130M00141	INDUCTOR, 5.9 AMPS (M5, M6, M7, M8)
401	PCBKF202	PCB, FURNACE CONTROL
411	0161F00014	COVER, CONTROL BOARD
461	0121F00094	CONTROL PANEL MOUNT (M1, M3, M5)
521	0130F00038	AUX LIMIT - LT BLUE 120° (QTY 2)
621	B1392820	WASHER, SPLIT LOCK 1/4 BZ (M5, M6, M7, M8)
NS	SHARED DATA	Av ailable thru CoolCloud HVAC app.
NS	0259F00040	CONTROL HARNESS
NS	0259F00041	POWER HARNESS HIGH VOLTAGE
NS	0259F00024	WIRE HARNESS-BLOWER

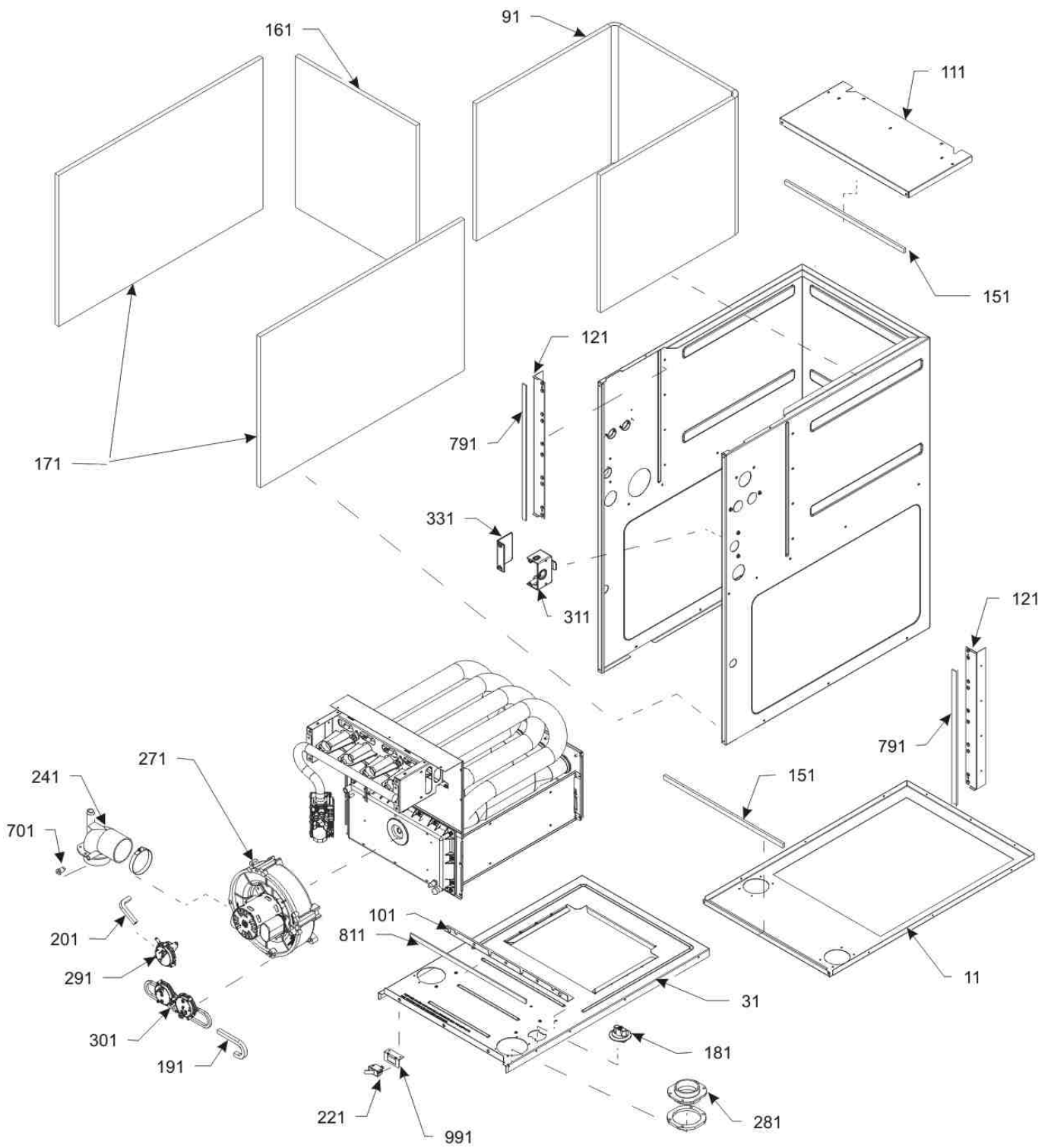
Expanded Model Nomenclature

M1 - DC97MC0603BNAA
M2 - DC97MC0603BNAB
M3 - DC97MC0803BNAA
M4 - DC97MC0803BNAB
M5 - DC97MC0804CNAA
M6 - DC97MC0804CNAB
M7 - DC97MC1005CNAA
M8 - DC97MC1005CNAB

*If end bells are needed please order the follow ing:

0131M00182 - 1/2 HP
 0131M00183 - 3/4 HP
 0131M00184 - 1 HP

Chassis



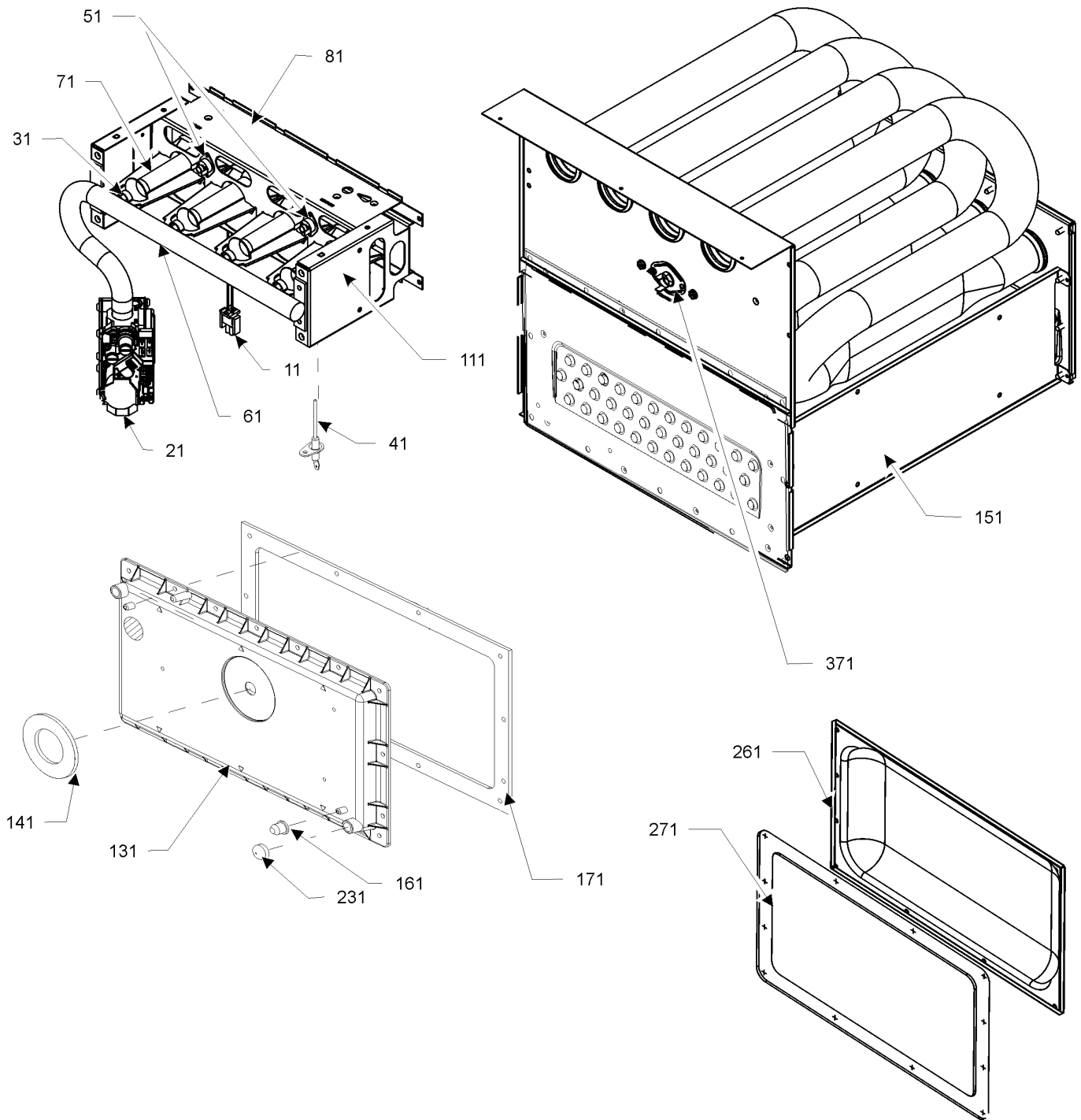
Chassis

Ref. Part No:	Part No:	Description:	Ref. Part No:	Part No:	Description:
Image 1:					
11	0121F00548DG	PAINTED BASEPAN, 17.5 CF (M1, M2, M3, M4)			
11	0121F00549DG	PAINTED BASEPAN, 21 CF (M5, M6, M7, M8)			
31	0121F00536	DECK-BLOWER 17.5" CF (M1, M2, M3, M4)			
31	0121F00537	DECK-BLOWER 21" CF (M5, M6, M7, M8)			
91	0160F00015	INSULATION, HT EXCHANGER 17.5" (M1, M2, M3, M4)			
91	0160F00016	INSULATION, HT EXCHANGER 21" (M5, M6, M7, M8)			
101	0121F00314	ANGLE, DECK (M1, M2, M3, M4)			
101	0121F00315	ANGLE, DECK (M5, M6, M7, M8)			
111	0121F00426DG	TOP, PAINTED FURNACE 17.5" CF (M1, M2, M3, M4)			
111	0121F00434DG	TOP, PAINTED FURNACE 21" CF (M5, M6, M7, M8)			
121	0121F00313	ANGLE, SIDE (QTY 2)			
151	20179309	GASKET-FA (M1, M2, M3, M4)			
151	20179310	GASKET-FA (M5, M6, M7, M8)			
161	0160F00012	INSULATION-BACK 17.5" (M1, M2, M3, M4)			
161	0160F00013	INSULATION-BACK 21" (M5, M6, M7, M8)			
171	0160F00018	INSULATION, SIDE (QTY 2)			
181	0159F00050	HARNESS-WIRING			
191	0164M00122	HOSE- PRESSURE SW 19" (M1, M2, M3, M4)			
191	0164M00123	HOSE- PRESSURE SW 25" (M5, M6, M7, M8)			
201	0164M00115	HOSE- PRESSURE SW 6"			
221	0130M00243	INTERLOCK SWITCH			
241	0164F00026	ELBOW-FLUE, 17.5" CFLOW (M1, M2, M3, M4)			
241	0164F00027	ELBOW-FLUE, 21" CFLOW (M5, M6, M7, M8)			
271	0171M00003	MOTOR-ID, BLOWER			
281	0161F00037	COUPLING			
291	0130F00429	PRESSURE SWITCH			
301	0130F00482	PRESSURE, SWITCH (M2, M4, M6)			
301	0130F00483	PRESSURE, SWITCH (M7, M8)			
301	0130F00956	PRESSURE, SWITCH (M1, M3, M5)			
311	0161F00042	JUNCTION BOX PLA			
331	0161F00043	JUNCTION BOX LID			
701	M0326804	TUBE PLUG			
791	0154F00015	GASKET (QTY 2)			
811	0154F00014	GASKET (M1, M2, M3, M4)			
811	0154F00016	GASKET (M5, M6, M7, M8)			
991	0121F00389	BRACKET, DOOR SWITCH			
NS	0161F00046	DRAIN TRAP			
NS	0164M00117	HOSE- PRESSURE SW 8" (M5, M6, M7, M8)			

Expanded Model Nomenclature

M1 - DC97MC0603BNA A
M2 - DC97MC0603BNA B
M3 - DC97MC0803BNA A
M4 - DC97MC0803BNA B
M5 - DC97MC0804CNA A
M6 - DC97MC0804CNA B
M7 - DC97MC1005CNA A
M8 - DC97MC1005CNA B

Heat Exchanger / Manifold / Gas Valve



Heat Exchanger / Manifold / Gas Valve

Ref. Part No:	Ref. Part No:	Description:	Description:
Image 1:			
11	0130F00008	IGNITOR-SINI 17 SEC	
21	0151M00024	GAS VALVE	
31	10716005	ORIFICE (QTY 3)	
41	0130F00010	FLAME SENSOR	
51	10123529	MANUAL RESET R.O.S. LIMIT (QTY 2)	
61	0163F00008	MANIFOLD (M1, M2)	
61	0163F00009	MANIFOLD (M5, M6)	
61	0163F00010	MANIFOLD (M7, M8)	
61	0163F00014	MANIFOLD (M3, M4)	
71	0163F00017	BECKETT BURNER (QTY 3)	
81	0121F00455	BRACKET-BURNER 3 (M1, M2)	
81	0121F00454	BRACKET-BURNER 4 (M3, M4, M5, M6)	
81	0121F00453	BRACKET-BURNER 5 (M7, M8)	
111	0121F00458	ORIFICE BRACKET-BURNER 3 (M1, M2)	
111	0121F00457	ORIFICE BRACKET-BURNER 4 (M3, M4, M5, M6)	
111	0121F00452	ORIFICE BRACKET-BURNER 5 (M7, M8)	
131	0161F00027	COVER, FRONT (M7, M8)	
131	0161F00031	COVER, FRONT (M3, M4)	
131	0161F00056	COVER, FRONT (M1, M2)	
131	0161F00065	COVER, FRONT (M5, M6)	
141	0154F00026	GASKET FRONT COVER (M1, M2, M3, M4)	
141	0154F00030	GASKET FRONT COVER (M5, M6, M7, M8)	
151	0257F00332	HEAT EXCHANGER ASSY (M1, M2)	
151	0257F00355	HEAT EXCHANGER ASSY (M3, M4)	
151	0257F00356	HEAT EXCHANGER ASSY (M5, M6)	
151	0257F00357	HEAT EXCHANGER ASSY (M7, M8)	
161	M0326804	PLUG-TUBE	
171	0154F00043	GASKET ID BLOWER	
231	A1781105	CAP-VINYL .500	
261	0121F00317	COVER, REAR (M1, M2, M3, M4)	
261	0121F00318	COVER, REAR (M5, M6, M7, M8)	
271	0154F00037	GASKET, REAR CVR (M1, M2, M3, M4)	
271	0154F00038	GASKET, REAR CVR (M5, M6, M7, M8)	
371	20162904	*PRIMARY LIMIT-TEMPERATURE CONTROL (M3, M4)	
371	0130F00036	PRIMARY LIMIT - PINK (M1, M2, M7, M8)	
371	20162901	PRIMARY LIMIT-RED (M5, M6)	
NS	0121F00439	PRIMARY LIMIT-HEAT SHIELD	
NS	0121F00355	SHIELD, COIL (QTY 2)	

Expanded Model Nomenclature

M1 - DC97MC0603BNAA
M2 - DC97MC0603BNAB
M3 - DC97MC0803BNAA
M4 - DC97MC0803BNAB
M5 - DC97MC0804CNAA
M6 - DC97MC0804CNAB
M7 - DC97MC1005CNAA
M8 - DC97MC1005CNAB