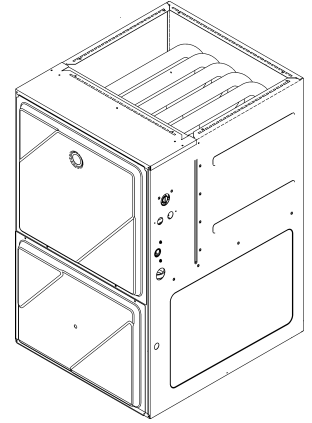


DC96VC 96% ECM Counter Flow Furnace (34.5" Cabinet)

DC96VC0403BNAA
DC96VC0403BNAB
DC96VC0603BNAA
DC96VC0603BNAB
DC96VC0804CNAA
DC96VC0804CNAB
DC96VC1005CNAA
DC96VC1005CNAB
DC96VC1205DNAA
DC96VC1205DNAB



This manual is to be used by qualified technicians only.

This manual replaces RP-D2020B.

Important Information

Index

Functional Parts List	3
Illustration and Parts	4 - 11

Views shown are for parts illustrations only, not servicing procedures.

Text Codes:

AR - As Required

NA - Not Available

NS - Not Shown

00000000 - See Note

QTY - Quantity Example (QTY 3) (If Quantity not shown, Quantity = 1)

M - Model Example (M1) (If M Code not shown, then part is used on all Models)

Expanded Model Nomenclature:

Example
M1 - Model#1
M2 - Model#2
M3 - Model#3

Daikin Comfort Technologies Manufacturing , L.P. is not responsible for personal injury or property damage resulting from improper service. Review all service information before beginning repairs.

Warranty service must be performed by an authorized technician, using authorized factory parts. If service is required after the warranty expires, Daikin Comfort Technologies Manufacturing , L.P. also recommends contacting an authorized technician and using authorized factory parts.

Daikin Comfort Technologies Manufacturing , L.P. reserves the right to discontinue, or change at any time, specifications or designs without notice or without incurring obligations.

For assistance within the U.S.A. contact:
Homeowner Support
Daikin Comfort Technologies Manufacturing , L.P.
19001 Kermier Road
Waller, Texas 77484
855-770-5678-Telephone
713-863-2382-Facsimile

For assistance outside the U.S.A. contact:
International Division
Daikin Comfort Technologies Manufacturing , L.P.
19001 Kermier Road
Waller, Texas 77484
713-861-2500-Telephone
713-863-2382-Facsimile

Functional Parts

Part No: **Description:**

SHARED DATA	Available thru CoolCloud HVAC app.
0163F00017	BECKETT BURNER (QTY 2)
0271F00462	BLOWER HOUSING ASSY (M1, M2)
0130F00010	FLAME SENSOR
0151M00027	GAS VALVE
0257F00365	HEAT EXCHANGER ASSY (M9, M10)
0257F00364	HEAT EXCHANGER ASSY (M7, M8)
0257F00363	HEAT EXCHANGER ASSY (M5, M6)
0257F00362	HEAT EXCHANGER ASSY (M3, M4)
0257F00361	HEAT EXCHANGER ASSY (M1, M2)
0130F00008	IGNITOR-SINI 17 SEC
0130M00141	INDUCTOR, 5.9 AMPS (M5, M6, M7, M8, M9, M10)
10123527	MANUAL RESET LIMIT (M9, M10)
0130F00123	MANUAL RESET LIMIT (M5, M6, M7, M8)
10123538	MANUAL RESET LIMIT-TAN (M3, M4)
10123533	MANUAL RESET LIMIT-YELLOW (M1, M2)
0271F00507	MORRISON 11 X 10 BLOWER (M5, M6, M7, M8)
0271F00508	MORRISON 11 X 11 BLOWER (M9, M10)
0271F00506	MORRISON 11 X 8 BLOWER (M3, M4)
0131M01011	MOTOR, 1 HP (M8, M10)
0131M00272	MOTOR, 1 HP, SERIAL ECM (M7, M9)
0131M01002	MOTOR, 1/2 HP (M2, M4)
0131M00270	MOTOR, 1/2 HP, SERIAL ECM (M1, M3)
0131M01003	MOTOR, 3/4 HP (M6)
0131M00271	MOTOR, 3/4 HP, SERIAL ECM (M5)
0171M00002	MOTOR-ID, BLOWER
PCBKF105	PCB CONTROL BOARD
0130F00429	PRESSURE SWITCH (M3, M4, M5, M6, M7, M8, M9, M10)
0130F00038	PRIMARY LIMIT - LT BLUE 120° (AUX) (QTY 2)
0130F00036	PRIMARY LIMIT - PINK (M9, M10)
0130F00035	PRIMARY LIMIT - PURPLE 220° (M3, M4)
20162906	PRIMARY LIMIT - WHITE (M1, M2, M7, M8)
20162904	PRIMARY LIMIT-TEMPERATURE CONTROL (M5, M6)
0130M00243	SWITCH, INTERLOCK
0130F00434	SWITCH, PRESSURE (M7, M8)
0130F00433	SWITCH, PRESSURE (M1, M2)
0130F00435	SWITCH, PRESSURE (M3, M4)
0130F00436	SWITCH, PRESSURE (M5, M6)
0130F00443	SWITCH, PRESSURE (M9, M10)
0130F00485	SWITCH, PRESSURE (M1, M2)
0130M00140	TRANSFORMER 120V TO 24V, 40VA
0150M00043	WHEEL, BLOWER (10 X 8) (M1, M2)

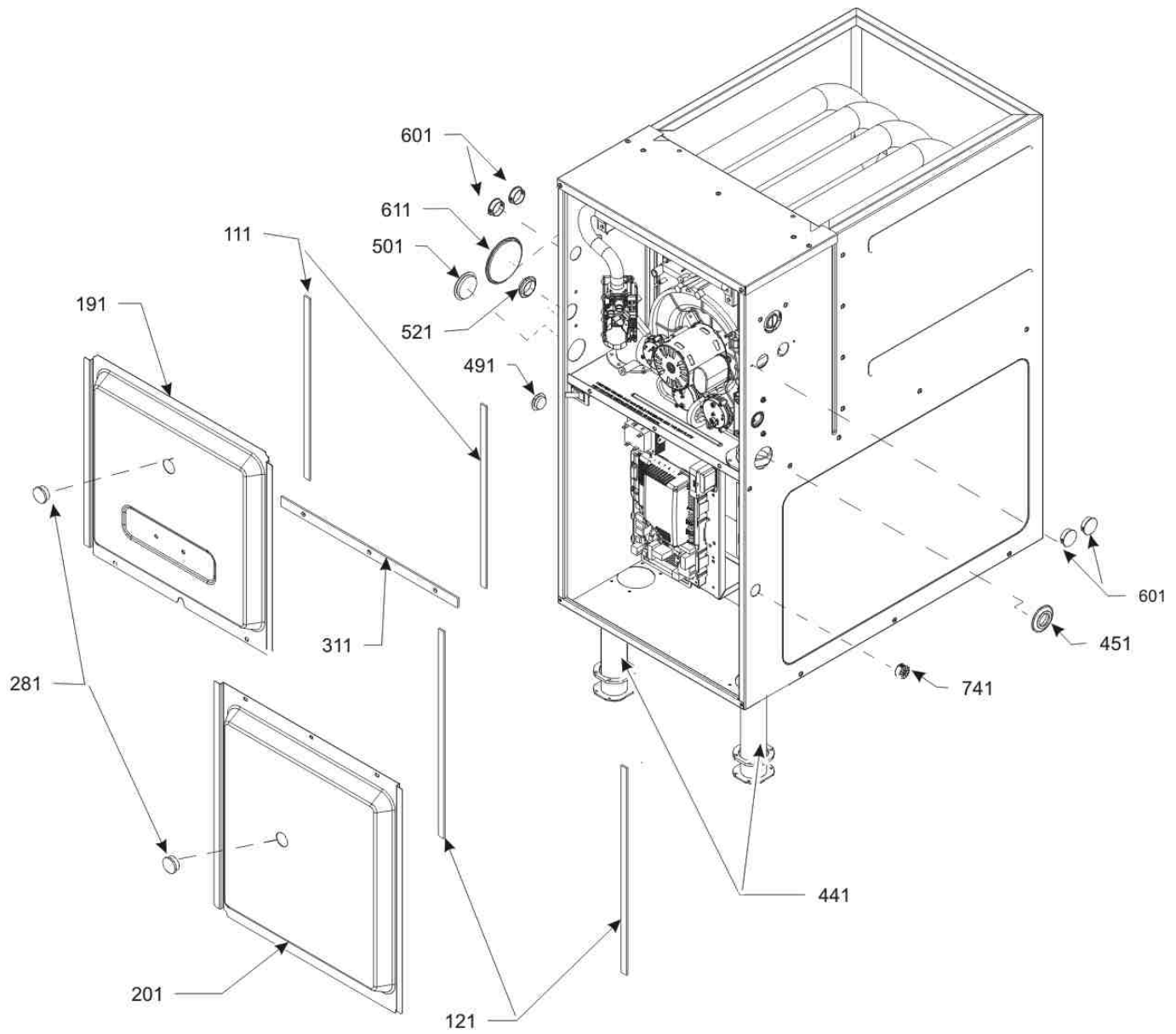
Expanded Model Nomenclature

M1 - DC96VC0403BNAA
M2 - DC96VC0403BNAB
M3 - DC96VC0603BNAA
M4 - DC96VC0603BNAB
M5 - DC96VC0804CNAA
M6 - DC96VC0804CNAB
M7 - DC96VC1005CNAA
M8 - DC96VC1005CNAB
M9 - DC96VC1205DNAA
M10 - DC96VC1205DNAB

SPECIAL PARTS

0161F00090	NAMEPLATE, DAIKIN
------------	-------------------

Cabinet



Cabinet

Ref. Part No:	Part No:	Description:	Ref. Part No:	Part No:	Description:
---------------	----------	--------------	---------------	----------	--------------

Image 1:

111	0154F00024	GASKET (QTY 2)
121	0154F00025	GASKET (QTY 2)
191	0121F00337NG	DOOR, ACCESS 17.5" (M1, M2, M3, M4)
191	0121F00338NG	DOOR, ACCESS 21" (M5, M6, M7, M8)
191	0121F00339NG	DOOR, ACCESS 24.5" (M9, M10)
201	0121F00340NG	DOOR, BLOWER 17.5" (M1, M2, M3, M4)
201	0121F00341NG	DOOR, BLOWER 21" (M5, M6, M7, M8)
201	0121F00342NG	DOOR, BLOWER 24.5" (M9, M10)
281	B1392139	VIEW PORT BUSHING-BLOWER DOOR (QTY 2)
311	0154F00020	GASKET, DECK (M1, M2, M3, M4)
311	0154F00021	GASKET, DECK (M5, M6, M7, M8)
311	0154F00022	GASKET, DECK (M9, M10)
441	0161F00064	PIPE, STRAIGHT CF (QTY 2)
451	M0501301	PIPE GROMMET
491	M0570808	BUTTON PLUG
501	M0570806	BUTTON PLUG
521	0161M00027	PLUG, HOLE
601	B1392021	PLASTIC PLUG, 1" (2713-BLK) (QTY 4)
611	0163M00460	CLAMP-HOSE (QTY 2)
741	B1392104	UNIVERSAL BUSHING UB 875
NS	M0310345	BUTTON PLUG (QTY 2)
NS	M0570807	BUTTON PLUG
NS	0270F03125	CF DRAIN TUBE ASSY (M1, M2, M3, M4)
NS	0270F03126	CF DRAIN TUBE ASSY (M5, M6, M7, M8)
NS	0270F03127	CF DRAIN TUBE ASSY (M9, M10)
NS	0270F03514	CF DRAIN TUBE ASSY (M1, M2, M3, M4)
NS	0270F03515	CF DRAIN TUBE ASSY (M5, M6, M7, M8)
NS	0270F03516	CF DRAIN TUBE ASSY (M9, M10)
NS	0270F05403	DRAIN KIT ASSY
NS	0154F00041	GASKET FRESH AIR
NS	0161F00090	NAMEPLATE, DAIKIN
NS	M0273904	RETAINER-SCREW (QTY 3)
NS	M0209730	SCREW-DECORATIVE (QTY 3)

Expanded Model Nomenclature

M1 - DC96VC0403BNAA
M2 - DC96VC0403BNAB
M3 - DC96VC0603BNAA
M4 - DC96VC0603BNAB
M5 - DC96VC0804CNAA
M6 - DC96VC0804CNAB
M7 - DC96VC1005CNAA
M8 - DC96VC1005CNAB
M9 - DC96VC1205DNAA
M10 - DC96VC1205DNAB

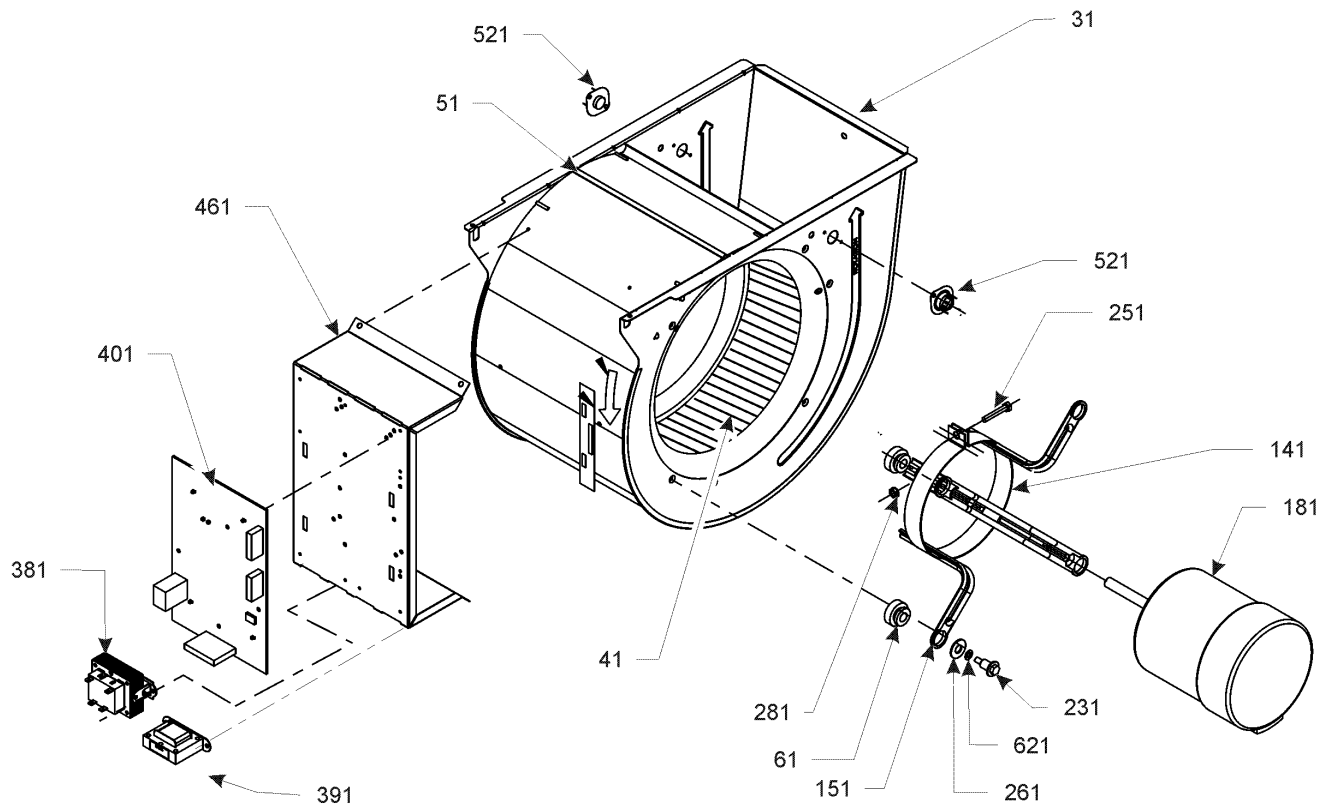
Blower Assembly

*If end bells are needed please order the following:

0131M00182 - 1/2 HP

0131M00183 - 3/4 HP

0131M00184 - 1 HP

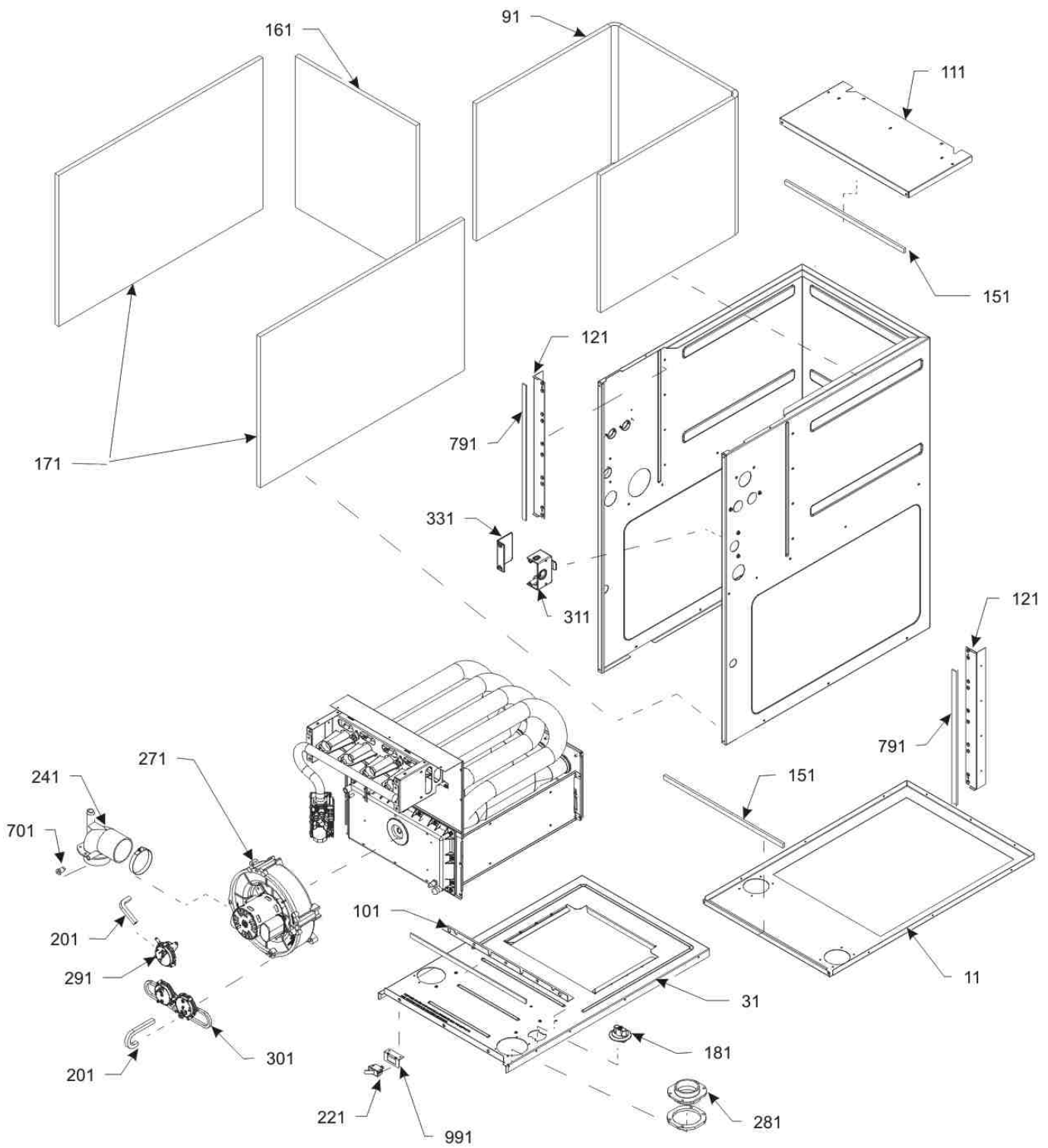


Blower Assembly

Ref. Part No:	No:	Description:	Ref. Part No:	No:	Description:
Image 1:			Expanded Model Nomenclature		
31	0271F00462	BLOWER HOUSING ASSY (M1, M2)	M1	-	DC96VC0403BNAA
31	0271F00507	MORRISON 11 X 10 BLOWER (M5, M6, M7, M8)	M2	-	DC96VC0403BNAB
31	0271F00508	MORRISON 11 X 11 BLOWER (M9, M10)	M3	-	DC96VC0603BNAA
31	0271F00506	MORRISON 11 X 8 BLOWER (M3, M4)	M4	-	DC96VC0603BNAB
41	0150M00043	WHEEL, BLOWER (10 X 8) (M1, M2)	M5	-	DC96VC0804CNA A
51	764740	BLOWER BLOCK-OFF 10 X 8 (M1, M2)	M6	-	DC96VC0804CNAB
61	A4002702	BLOWER MOTOR GROMMET (M5, M6, M7, M8, M9, M10)	M7	-	DC96VC1005CNA A
141	0121M00038	MOTOR MOUNT BAND (M1, M2, M3, M4)	M8	-	DC96VC1005CNAB
141	10441601	MOTOR MOUNT BAND (M5, M6, M7, M8, M9, M10)	M9	-	DC96VC1205DNA A
151	10441501	MOTOR MOUNT ARM (M5, M6, M7, M8, M9, M10)	M10	-	DC96VC1205DNAB
151	B1376857	MOTOR MOUNT ARM (M1, M2, M3, M4)			
181	0131M01011	MOTOR, 1 HP (M8, M10)			
181	0131M00272	MOTOR, 1 HP, SERIAL ECM (M7, M9)			
181	0131M01002	MOTOR, 1/2 HP (M2, M4)			
181	0131M00270	MOTOR, 1/2 HP, SERIAL ECM (M1, M3)			
181	0131M01003	MOTOR, 3/4 HP (M6)			
181	0131M00271	MOTOR, 3/4 HP, SERIAL ECM (M5)			
231	0163F00028	SCREW (M5, M6, M7, M8, M9, M10)			
231	M0250565	TC SCREW 1.25" (M1, M2, M3, M4)			
251	M0267144	MACHINE SCREW (M5, M7, M8, M9, M10)			
251	B1393323	MACHINE SCREW HWH 1/4-20 X 1-1/2 BZ (M1, M2, M3, M4, M6)			
261	B1392918	WASHER, FLAT 1/4 ID X 1 OD (M1, M2, M3, M4)			
261	M0274008	WASHER-FLAT (M5, M6, M7, M8, M9, M10)			
281	M0282015	KEPS NUT (M5, M7, M8, M9, M10)			
281	B1393800	LOCKNUT, NYLON, INSERT 1/4, 20 (M1, M2, M3, M4, M6)			
381	0130M00140	TRANSFORMER 120V TO 24V, 40VA			
391	0130M00141	INDUCTOR, 5.9 AMPS (M5, M6, M7, M8, M9, M10)			
401	PCBKF105	PCB CONTROL BOARD			
461	0121F00094	PANEL, CNTL MTG			
521	0130F00038	PRIMARY LIMIT - LT BLUE 120° (AUX) (QTY 2)			
621	B1392820	WASHER, SPLIT LOCK 1/4 BZ (M5, M6, M7, M8, M9, M10)			
NS	SHARED DATA	Available thru CoolCloud HVAC app.			
NS	0259F00040	CONTROL HARNESS			
NS	B1392021	PLASTIC PLUG, 1" (2713-BLK) (QTY 4)			
NS	0259F00041	POWER HARNESS HIGH VOLTAGE			
NS	0259F00024	WIRE HARNESS-BLOWER			

*If end bells are needed please order the following:
 0131M00182 - 1/2 HP
 0131M00183 - 3/4 HP
 0131M00184 - 1 HP

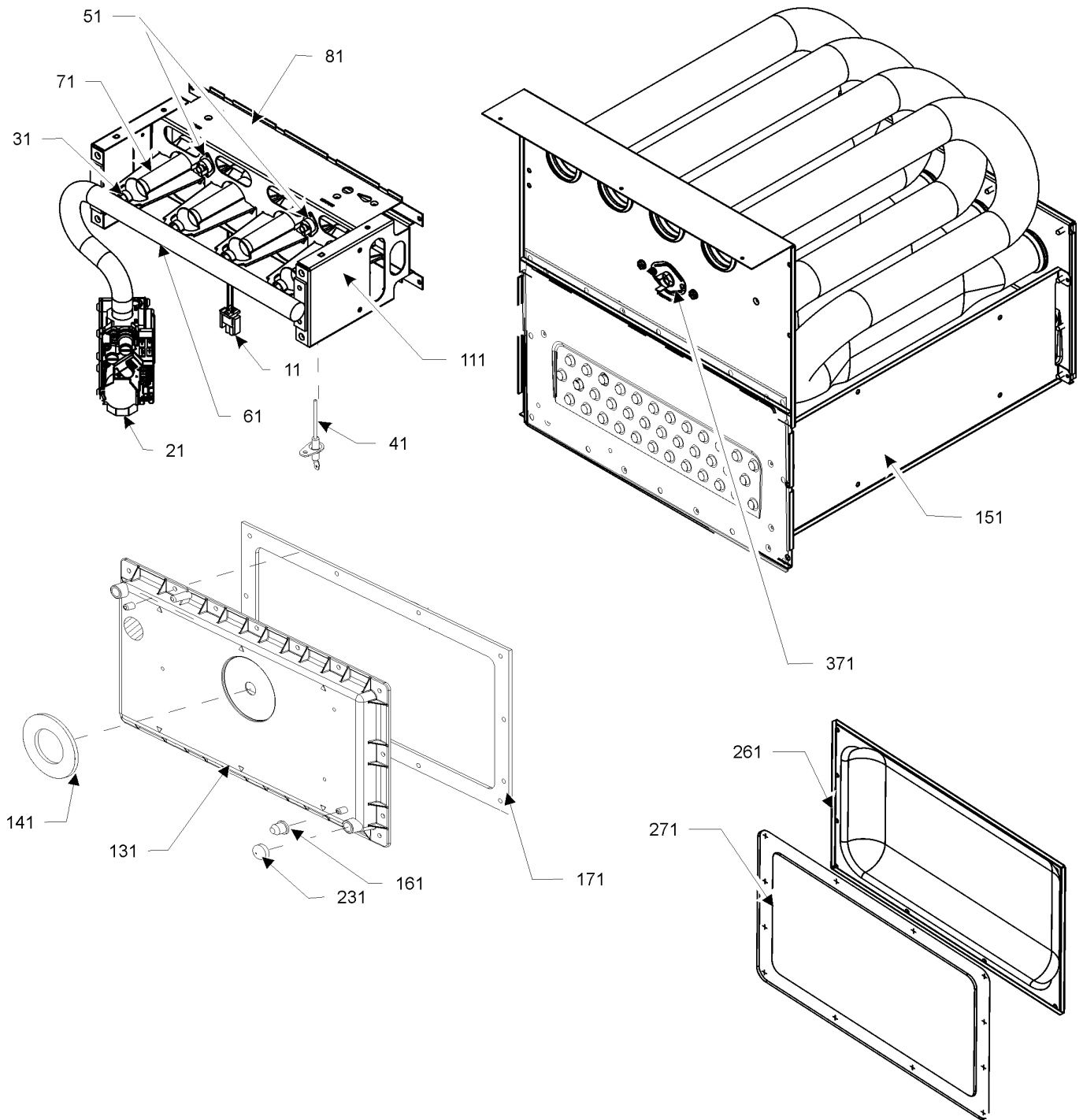
Chassis



Chassis

Ref. Part No:	No:	Description:	Ref. Part No:	No:	Description:
Image 1:			Expanded Model Nomenclature		
11	0121F00548DG	PAINTED BASEPAN, 17.5 CF (M1, M2, M3, M4)	M1	-	DC96VC0403BNAA
11	0121F00549DG	PAINTED BASEPAN, 21 CF (M5, M6, M7, M8)	M2	-	DC96VC0403BNAB
11	0121F00550DG	PAINTED BASEPAN, 24.5 CF (M9, M10)	M3	-	DC96VC0603BNAA
31	0121F00536	DECK-BLOWER 17.5" CF (M1, M2, M3, M4)	M4	-	DC96VC0603BNAB
31	0121F00537	DECK-BLOWER 21" CF (M5, M6, M7, M8)	M5	-	DC96VC0804CNA A
31	0121F00538	DECK-BLOWER 24.5" CF (M9, M10)	M6	-	DC96VC0804CNAB
91	0160F00015	INSULATION, HT EXCHANGER 17.5" (M1, M2, M3, M4)	M7	-	DC96VC1005CNA A
91	0160F00016	INSULATION, HT EXCHANGER 21" (M5, M6, M7, M8)	M8	-	DC96VC1005CNAB
91	0160F00017	INSULATION, HT EXCHANGER 24.5" (M9, M10)	M9	-	DC96VC1205DNA A
101	0121F00314	ANGLE, DECK (M1, M2, M3, M4)	M10	-	DC96VC1205DNAB
101	0121F00315	ANGLE, DECK (M5, M6, M7, M8)			
101	0121F00316	ANGLE, DECK (M9, M10)			
111	0121F00426DG	TOP, PAINTED FURNACE 17.5" CF (M1, M2, M3, M4)			
111	0121F00434DG	TOP, PAINTED FURNACE 21" CF (M5, M6, M7, M8)			
111	0121F00442DG	TOP, PAINTED FURNACE 24.5 CF (M9, M10)			
121	0121F00313	ANGLE, SIDE (QTY 2)			
151	20179307	GASKET-FA (M9, M10)			
151	20179309	GASKET-FA (M1, M2, M3, M4)			
151	20179310	GASKET-FA (M5, M6, M7, M8)			
161	0160F00012	INSULATION-BACK 17.5" (M1, M2, M3, M4)			
161	0160F00013	INSULATION-BACK 21" (M5, M6, M7, M8)			
161	0160F00014	INSULATION-BACK 24.5" (M9, M10)			
171	0160F00018	INSULATION, SIDE (QTY 2)			
181	0159F00087	HARNESS-WIRING			
201	0164M00115	HOSE- PRESSURE SW 6"			
221	0130M00243	SWITCH, INTERLOCK			
241	0164F00026	ELBOW-FLUE, 17.5" CFLOW (M1, M2, M3, M4)			
241	0164F00027	ELBOW-FLUE, 21" CFLOW (M5, M6, M7, M8)			
241	0164F00028	ELBOW-FLUE, 24.5" CFLOW (M9, M10)			
271	0171M00002	MOTOR-ID, BLOWER			
281	0161F00037	COUPLING			
291	0130F00429	PRESSURE SWITCH (M3, M4, M5, M6, M7, M8, M9, M10)			
291	0130F00485	SWITCH, PRESSURE (M1, M2)			
301	0130F00433	SWITCH, PRESSURE (M1, M2)			
301	0130F00434	SWITCH, PRESSURE (M7, M8)			
301	0130F00435	SWITCH, PRESSURE (M3, M4)			
301	0130F00436	SWITCH, PRESSURE (M5, M6)			
301	0130F00443	SWITCH, PRESSURE (M9, M10)			
311	0161F00042	JUNCTION BOX PLA			
331	0161F00043	JUNCTION BOX LID			
701	M0326804	TUBE PLUG			
791	0154F00015	GASKET (QTY 2)			
991	0121F00389	BRACKET, DOOR SWITCH			
NS	0161F00046	DRAIN TRAP			
NS	0154F00014	GASKET (M1, M2, M3, M4)			
NS	0154F00016	GASKET (M5, M6, M7, M8, M9, M10)			
NS	0154F00016	GASKET (M5, M6, M7, M8, M9, M10)			
NS	0164M00119	HOSE- PRESSURE SW 12" (M9, M10)			
NS	0164M00117	HOSE- PRESSURE SW 8" (M5, M6, M7, M8)			

Heat Exchanger / Manifold / Gas Valve



Heat Exchanger / Manifold / Gas Valve

Ref. Part No:	Part No:	Description:	Ref. Part No:	Part No:	Description:
<i>Image 1:</i>			Expanded Model Nomenclature		
11	0130F00008	IGNITOR-SINI 17 SEC	M1	-	DC96VC0403BNAA
21	0151M00027	GAS VALVE	M2	-	DC96VC0403BNAB
31	10716005	ORIFICE (QTY 2)	M3	-	DC96VC0603BNAA
41	0130F00010	FLAME SENSOR	M4	-	DC96VC0603BNAB
51	0130F00123	MANUAL RESET LIMIT (M5, M6, M7, M8)	M5	-	DC96VC0804CNA A
51	10123527	MANUAL RESET LIMIT (M9, M10)	M6	-	DC96VC0804CNAB
51	10123538	MANUAL RESET LIMIT-TAN (M3, M4)	M7	-	DC96VC1005CNA A
51	10123533	MANUAL RESET LIMIT-YELLOW (M1, M2)	M8	-	DC96VC1005CNAB
61	0163F00007	MANIFOLD (M1, M2)	M9	-	DC96VC1205DNA A
61	0163F00008	MANIFOLD (M3, M4)	M10	-	DC96VC1205DNAB
61	0163F00009	MANIFOLD (M5, M6)			
61	0163F00010	MANIFOLD (M7, M8)			
61	0163F00011	MANIFOLD (M9, M10)			
71	0163F00017	BECKETT BURNER (QTY 2)			
81	0121F00456	BRACKET-BURNER 2 (M1, M2)			
81	0121F00455	BRACKET-BURNER 3 (M3, M4)			
81	0121F00454	BRACKET-BURNER 4 (M5, M6)			
81	0121F00453	BRACKET-BURNER 5 (M7, M8)			
81	0121F00451	BRACKET-BURNER 6 (M9, M10)			
111	0121F00469	ORIFICE BRACKET-BURNER 2 (M1, M2)			
111	0121F00468	ORIFICE BRACKET-BURNER 3 (M3, M4)			
111	0121F00467	ORIFICE BRACKET-BURNER 4 (M5, M6)			
111	0121F00466	ORIFICE BRACKET-BURNER 5 (M7, M8)			
111	0121F00465	ORIFICE BRACKET-BURNER 6 (M9, M10)			
131	0161F00015	COVER, FRONT (M1, M2)			
131	0161F00030	COVER, FRONT (M5, M6)			
131	0161F00054	COVER, FRONT (M3, M4)			
131	0161F00060	COVER, FRONT (M7, M8)			
131	0161F00070	COVER, FRONT (M9, M10)			
141	0154F00026	GASKET FRONT COVER (M1, M2, M3, M4)			
141	0154F00030	GASKET FRONT COVER (M5, M6, M7, M8)			
141	0154F00034	GASKET FRONT COVER (M9, M10)			
151	0257F00361	HEAT EXCHANGER ASSY (M1, M2)			
151	0257F00362	HEAT EXCHANGER ASSY (M3, M4)			
151	0257F00363	HEAT EXCHANGER ASSY (M5, M6)			
151	0257F00364	HEAT EXCHANGER ASSY (M7, M8)			
151	0257F00365	HEAT EXCHANGER ASSY (M9, M10)			
161	M0326804	TUBE PLUG			
171	0154F00043	GASKET ID BLOWER			
231	A1781105	CAP-VINYL .500			
261	0121F00317	COVER, REAR (M1, M2, M3, M4)			
261	0121F00318	COVER, REAR (M5, M6, M7, M8)			
261	0121F00319	COVER, REAR (M9, M10)			
271	0154F00037	GASKET, REAR CVR (M1, M2, M3, M4)			
271	0154F00038	GASKET, REAR CVR (M5, M6, M7, M8)			
271	0154F00039	GASKET, REAR CVR (M9, M10)			
371	0130F00036	PRIMARY LIMIT - PINK (M9, M10)			
371	0130F00035	PRIMARY LIMIT - PURPLE 220° (M3, M4)			
371	20162906	PRIMARY LIMIT - WHITE (M1, M2, M7, M8)			
371	20162904	PRIMARY LIMIT-TEMPERATURE CONTROL (M5, M6)			
NS	0121F00439	PRIMARY LIMIT-HEAT SHIELD			
NS	0121F00355	SHIELD, COIL (QTY 2)			