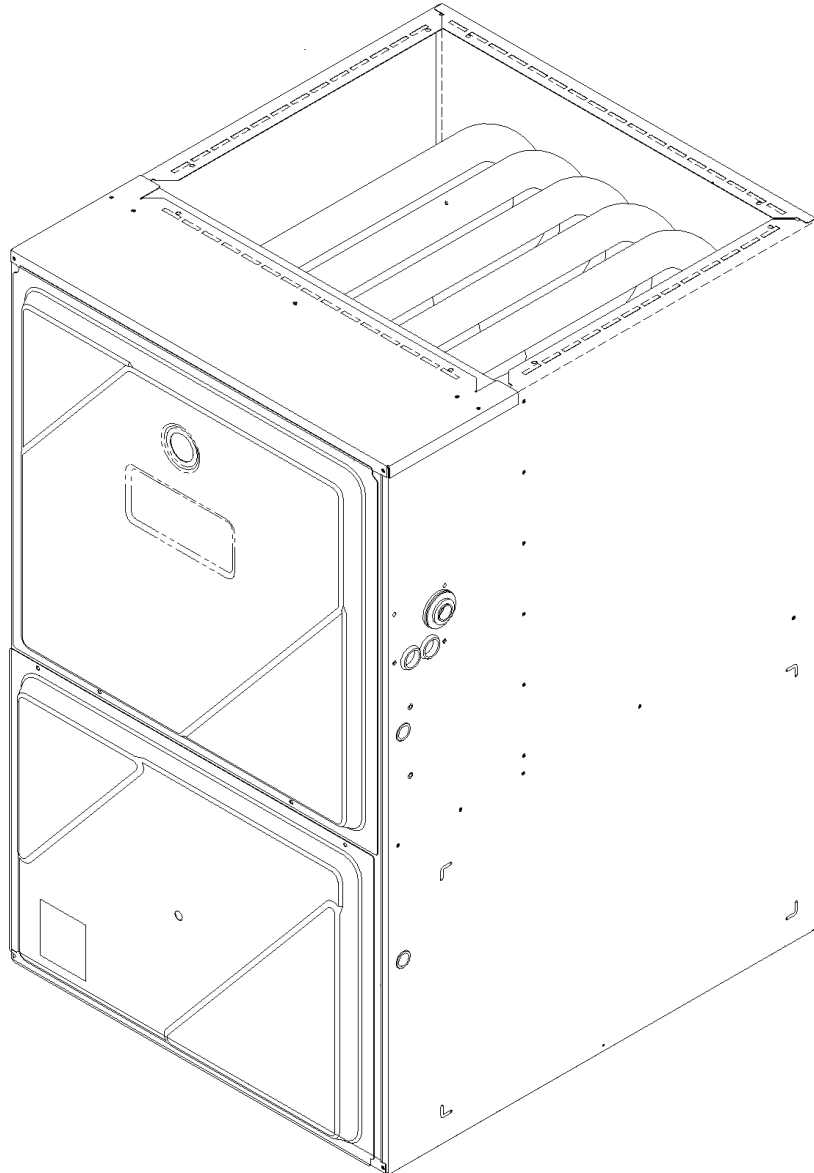


## DC96VC Variable Speed CF Furnace

DC96VC0714CXAA

DC96VC0915DXAA

DC96VC1155DXAA



This manual is to be used by qualified technicians only.

© 2013 Daikin Company, L.P. ♦ 5151 San Felipe St., Suite 500 ♦ Houston, TX 77056

# Important Information

---

## Index

Functional Parts List .....	3
Illustration and Parts .....	4 - 11

*Views shown are for parts illustrations only, not servicing procedures*

Introduction of Daikin products.  
11-18-13: Updated blower wheel B1368047A to B1368047.

### Text Codes:

AR - As Required  
NA - Not Available  
NS - Not Shown  
00000000 - See Note  
QTY - Quantity Example (QTY 3) (If Quantity not shown, Quantity = 1)  
M - Model Example (M1) (If M Code not shown, then part is used on all Models)

### Expanded Model Nomenclature:

Example M1 - Model#1 M2 - Model#2 M3 - Model#3
---

Daikin Company, L.P. is not responsible for personal injury or property damage resulting from improper service. Review all service information before beginning repairs.

Warranty service must be performed by an authorized technician, using authorized factory parts. If service is required after the warranty expires, Daikin Company, L.P. also recommends contacting an authorized technician and using authorized factory parts.

Daikin Company, L.P. reserves the right to discontinue, or change at any time, specifications or designs without notice or without incurring obligations.

For assistance within the U.S.A. contact:  
Consumer Affairs Department  
Daikin North America, LLC  
7401 Security Way  
Houston, Texas 77040  
855-770-5678-Telephone  
713-863-2382-Facsimile

For assistance outside the U.S.A. contact:  
International Division  
Daikin North America, LLC  
7401 Security Way  
Houston, Texas 77040  
713-861-2500-Telephone  
713-863-2382-Facsimile

# Functional Parts

## Part

## No: Description:

---

D6723311	BLOWER WHEEL (M2, M3)
B1368047	BLOWER WHEEL 10 X 10 (M1)
0130F00371	DATA, FURNACE PCB MEMORY CHIP (M2)
0130F00372	DATA, FURNACE PCB MEMORY CHIP (M3)
0130F00370	DATA, FURNACE PCB MEMORY CHIP (M1)
0130F00010	FLAME SENSOR
0130F00008	IGNITOR-SINI 17 SEC
0130M00141	INDUCTOR, 5.9 AMPS (GMPE100-4)
B1370818	INTERLOCK SWITCH
0130F00105	LIMIT SWITCH (M2)
10123517	MANUAL RESET LIMIT (QTY 2)
0131M00272	MOTOR, 1 HP, SERIAL ECM (M2, M3)
0131M00271	MOTOR, 3/4 HP, SERIAL ECM (M1)
PCBKF103	PCB, CONTROL, FURNACE
0130F00100	PRESSURE SWITCH (M1, M2)
0130F00070	PRESSURE SWITCH (M1, M2)
0130F00038	PRIMARY LIMIT - LT BLUE 120° (QTY 2)
20162904	PRIMARY LIMIT-TEMPERATURE CONTROL (M1)
20162905	PRIMARY LIMIT-YELLOW (M3)
0130M00140	TRANSFORMER 120V TO 24V, 40 VA
0151M00028	VALVE,GAS(HW)VR92

## SPECIAL PARTS

0161F00039 NAMEPLATE, DAIKIN

Expanded Model Nomenclature

M1 - DC96VC0714CXAA

M2 - DC96VC0915DXAA

M3 - DC96VC1155DXAA



# Cabinet

Ref. Part No: No:	Description:	Ref. Part No: No:	Description:
-------------------	--------------	-------------------	--------------

*Image 1:*

21	0161F00039	NAMEPLATE, DAIKIN
81	20201902	DRAIN HOSE
111	20179308	GASKET (QTY 2)
121	20179311	GASKET (QTY 2)
131	20179312	GASKET (M1)
131	20179313	GASKET (M2, M3)
151	10195518	STANDPIPE BAG ASSY
191	0121F00067NG	ACCESS DOOR (M1)
191	0121F00068NG	ACCESS DOOR (M2, M3)
201	0121F00064NG	BLOWER DOOR (M1)
201	0121F00065NG	BLOWER DOOR (M2, M3)
281	B1392139	VIEW PORT BUSHING-BLOWER DOOR (QTY 2)
311	22320002	DECK GASKET (M1)
311	22320003	DECK GASKET (M2, M3)
371	22309502	FLUE PIPE (QTY 2)
451	M0501301	PIPE GROMMET
491	M0570808	BUTTON PLUG (QTY 4)
501	M0570806	BUTTON PLUG
511	M0570807	BUTTON PLUG (QTY 2)
601	A4691701	GROMMET (QTY 2)
621	M0310345	BUTTON PLUG (QTY 2)
741	B1392104	UNIVERSAL BUSHING UB 875

*Image 2:*

22	0163M00049	HOSE CLAMP (QTY 4)
32	M0119207	HOSE CLAMP
42	M0570807	BUTTON PLUG (QTY 2)
62	20201901	DRAIN HOSE
72	20201802	DRAIN TUBE (QTY 2)
82	20171701	DRAIN TRAP
112	20214202	DRAIN ANGLE
142	M0119205	HOSE CLAMP (QTY 3)
152	B2810816	2" MESH INSERT
162	B2810814	3" MESH INSERT
172	M0119206	HOSE CLAMP

Expanded Model Nomenclature

M1 - DC96VC0714CXAA
M2 - DC96VC0915DXAA
M3 - DC96VC1155DXAA

# Blower Assembly

Image 1

\*If end bells are needed please order the following:

0131M00182 - ½ HP

0131M00183 - ¾ HP

0131M00184 - 1 HP

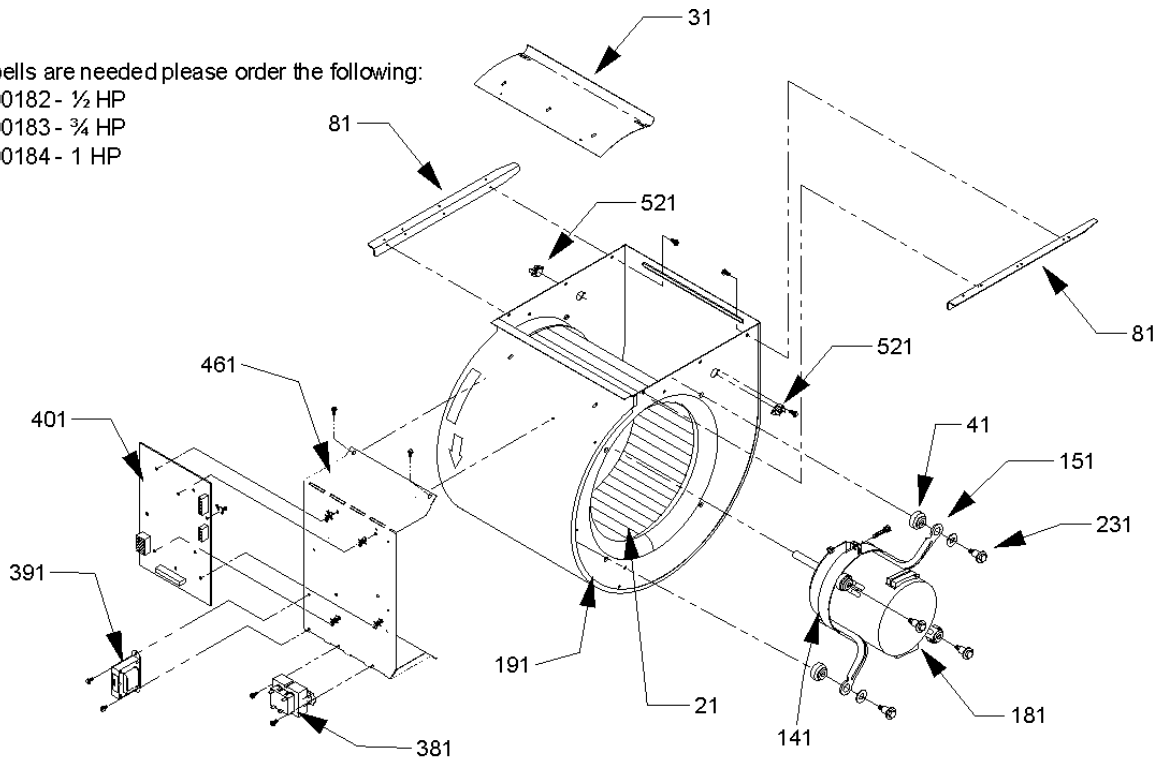
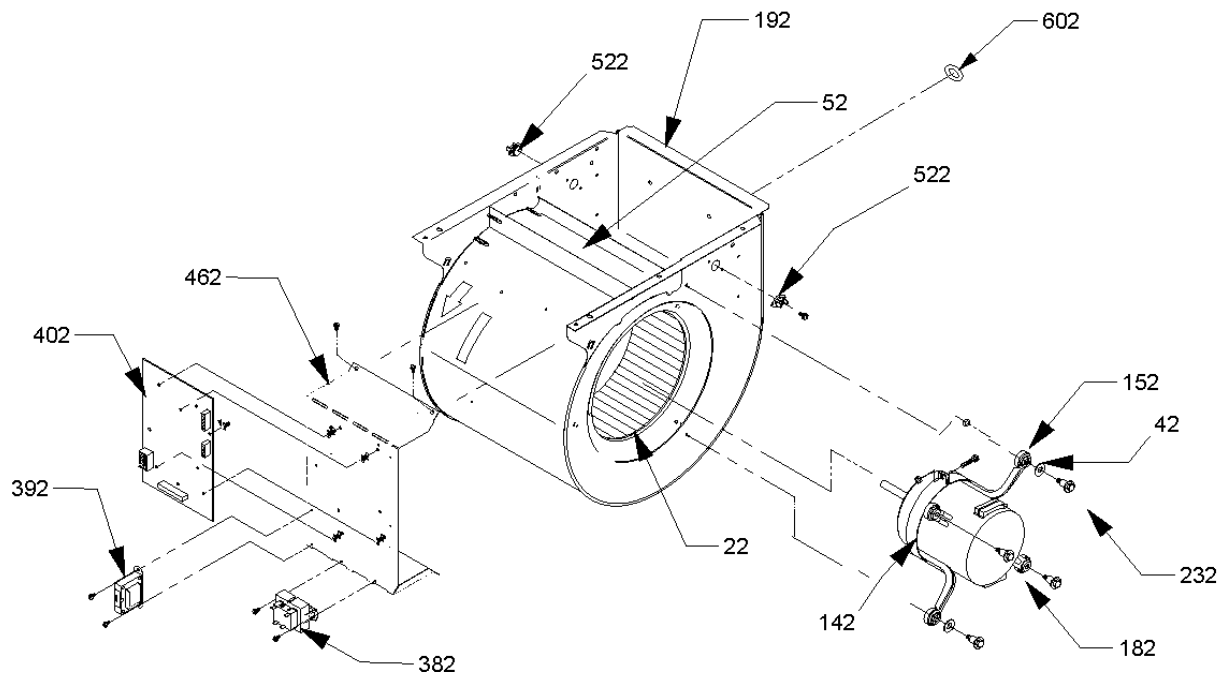


Image 2



# Blower Assembly

Ref. Part No: No:	Description:	Ref. Part No: No:	Description:
-------------------	--------------	-------------------	--------------

*Image 1:*

21	D6723311	BLOWER WHEEL (M2, M3)
31	C6121807	BLOWER CUT-OFF (M2, M3)
41	A4002702	BLOWER MOTOR GROMMET (M2, M3)
81	20175101	BLOWER SIDE RAIL (M2, M3)
141	10441601	MOTOR MOUNT BAND (M2, M3)
151	10441501	MOTOR MOUNT ARM (M2, M3)
181	0131M00272	MOTOR, 1 HP, SERIAL ECM (M2, M3)
191	0271F00047	BLOWER HOUSING ASSY 11 X 10 (M2, M3)
231	M0221461	TC SCREW (M2, M3)
381	0130M00140	TRANSFORMER 120V TO 24V, 40 VA (M2, M3)
391	0130M00141	INDUCTOR, 5.9 AMPS (GMPE100-4) (M2, M3)
401	PCBKF103	PCB, CONTROL, FURNACE (M2, M3)
461	0121F00094	CONTROL MOUNT PANEL (M2, M3)
521	0130F00038	PRIMARY LIMIT - LT BLUE 120° (M2, M3)
NS	0259F00040	CONTROL HARNESS (M2, M3)
NS	0130F00371	DATA, FURNACE PCB MEMORY CHIP (M2)
NS	0130F00372	DATA, FURNACE PCB MEMORY CHIP (M3)
NS	0259F00041	POWER HARNESS HIGH VOLTAGE (M2, M3)
NS	0259F00024	WIRE HARNESS-BLOWER (M2, M3)
NS	0159F00022	WIRING HARNESS (M2, M3)

*Image 2:*

22	B1368047	BLOWER WHEEL 10 X 10 (M1)
42	B1392918	WASHER, FLAT 1/4 ID X 1 OD (M1)
52	764741F	BLOWER BLOCK-OFF 10 X 10 (M1)
142	0121M00038	MOTOR MOUNT BAND (M1)
152	B1376857	MOTOR MOUNT ARM (M1)
182	0131M00271	MOTOR, 3/4 HP, SERIAL ECM (M1)
192	0271F00004P	BLOWER HOUSING ASSY 10 X 10 (M1)
232	M0250565	TC SCREW 1.25" (M1)
382	0130M00140	TRANSFORMER 120V TO 24V, 40 VA (M1)
392	0130M00141	INDUCTOR, 5.9 AMPS (GMPE100-4) (M1)
402	PCBKF103	PCB, CONTROL, FURNACE (M1)
462	0121F00094	CONTROL MOUNT PANEL (M1)
522	0130F00038	PRIMARY LIMIT - LT BLUE 120° (M1)
602	B1392021	PLASTIC PLUG, 1" (2713-BLK) (M1)
NS	0259F00040	CONTROL HARNESS (M1)
NS	0130F00370	DATA, FURNACE PCB MEMORY CHIP (M1)
NS	0259F00041	POWER HARNESS (M1)
NS	0259F00024	WIRE HARNESS-BLOWER (M1)
NS	0159F00022	WIRING HARNESS (M1)

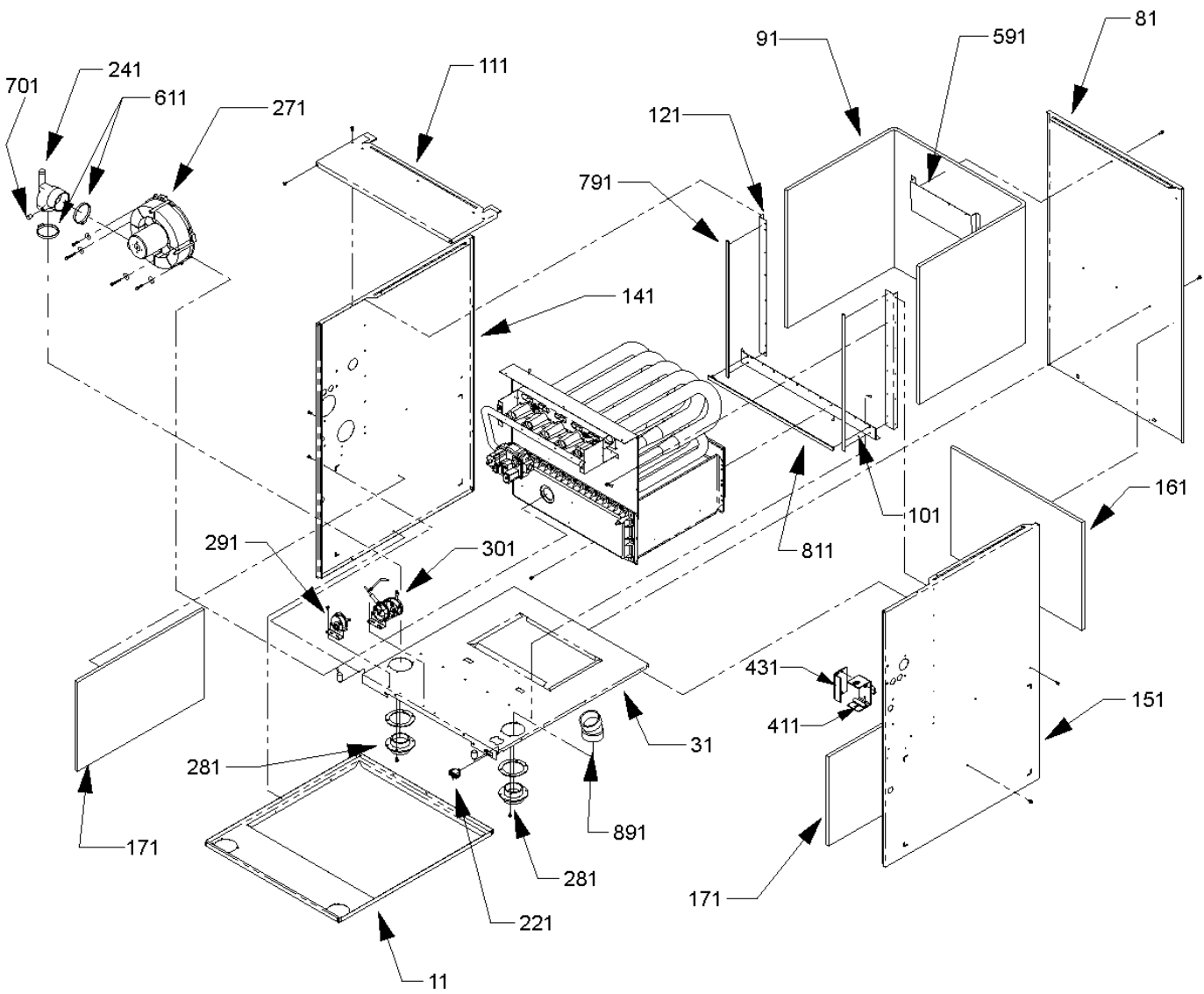
Expanded Model Nomenclature

M1 - DC96VC0714CXAA
M2 - DC96VC0915DXAA
M3 - DC96VC1155DXAA

\*If end bells are needed please order the following:

0131M00182 - 1/2 HP  
 0131M00183 - 3/4 HP  
 0131M00184 - 1 HP

# Chassis



# Chassis

Ref. Part No: No:	Description:	Ref. Part No: No:	Description:
<i>Image 1:</i>			
11	20273509		BASEPAN-C'FLOW FURN (M1)
11	20273511		BASEPAN-C'FLOW FURN (M2, M3)
31	0121F00046		BLOWER DECK (M1)
31	0121F00049		BLOWER DECK (M2, M3)
81	20273216		BACK PANEL (M1)
81	20273218		BACK PANEL (M2, M3)
91	C6415909		HEAT EXCHANGER INSULATION (M2, M3)
91	C6415911		HEAT EXCHANGER INSULATION (M1)
101	0121F00019P		DECK RAIL (M1)
101	20191303		DECK RAIL (M2, M3)
111	0270F00104P		TOP COVER ASSY (M1)
111	0270F00105P		TOP COVER ASSY (M2, M3)
121	20191603		SIDE RAIL (M1)
121	20191604		SIDE RAIL (M2, M3)
141	0121F00093DGS		PANEL-SIDE LH CF PNT
151	0121F00091DG		PANEL-SIDE RH CF FUR
221	B1370818		INTERLOCK SWITCH
241	20171802		ELBOW
271	0271F00119		ID BLOWER ASSY (M1, M2)
281	20049701		FA COUPLING (QTY 2)
291	0130F00070		PRESSURE SWITCH (M1, M2)
301	0130F00100		PRESSURE SWITCH (M1, M2)
411	0161F00012		JUNCTION BOX-PLA
431	0161F00013		JUNCTION BOX-LID
591	11165107		ID BLOWER SHIELD
611	0163M00049		HOSE CLAMP (QTY 4)
701	M0326804		TUBE PLUG
791	20194608		GASKET (QTY 2)
811	20194606		GASKET (M1)
811	20194607		GASKET (M2, M3)
891	C6455901		ELBOW-22 1/2 ELL
NS	0164M00003		PRESSURE SWITCH HOSE
NS	0164M00010		PRESSURE SWITCH HOSE (M1)
NS	0164M00012		PRESSURE SWITCH HOSE (M2, M3)

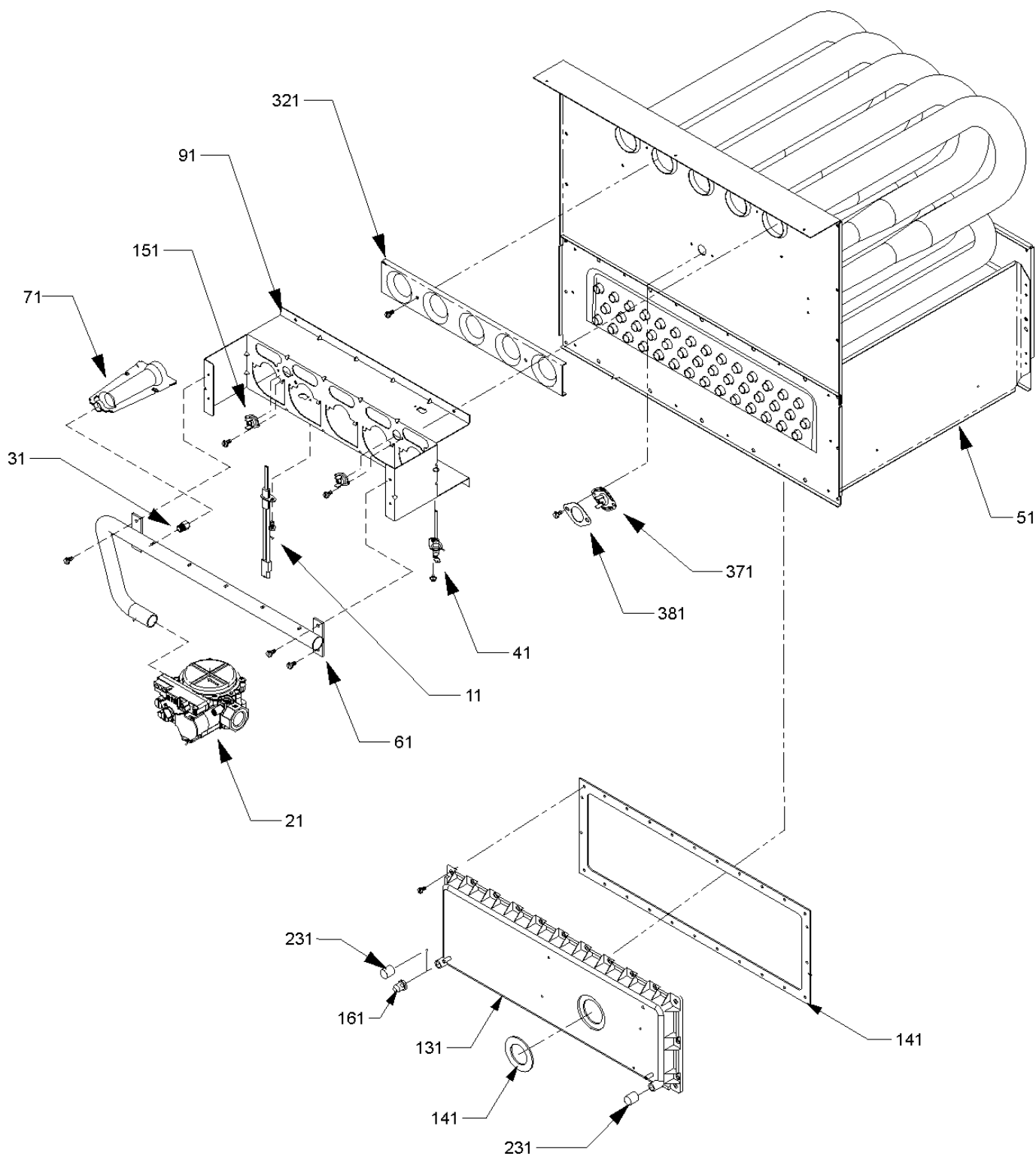
## Expanded Model Nomenclature

M1 - DC96VC0714CXAA

M2 - DC96VC0915DXAA

M3 - DC96VC1155DXAA

# Heat Exchanger / Manifold / Gas Valve



# Heat Exchanger / Manifold / Gas Valve

Ref. Part No:	Part No:	Description:	Ref. Part No:	Part No:	Description:
---------------	----------	--------------	---------------	----------	--------------

Image 1:

11	0130F00008	IGNITOR-SINI 17 SEC
21	0151M00028	VALVE,GAS(HW)VR92
31	10716003	ORIFICE (QTY 3)
41	0130F00010	FLAME SENSOR
51	0257F00201	HEAT EXCHANGER ASSY (M1)
51	0257F00202	HEAT EXCHANGER ASSY (M2)
51	0257F00315	HEAT EXCHANGER ASSY (M3)
61	20196402	MANIFOLD - 3 BRNR (M1)
61	20196403	MANIFOLD - 4 BRNR (M2)
61	20196404	MANIFOLD - 5 BRNR (M3)
71	10735102	BECKETT BURNER (QTY A/R)
91	20190411	BURNER BRACKET 3B (M1)
91	20190412	BURNER BRACKET 4B (M2)
91	20190413	BURNER BRACKET 5B (M3)
131	20170907A	FRONT COVER (M1)
131	20171004A	FRONT COVER (M3)
131	20171006A	FRONT COVER (M2)
141	0154F00001P	COIL GASKET (M1)
141	0154F00002P	COIL GASKET (M2, M3)
151	10123517	MANUAL RESET LIMIT (QTY 2)
161	M0326804	PLUG-TUBE
231	A1781105	CAP-VINYL .500 (QTY 2)
321	11072202	ORIFICE SHIELD (M1)
321	11072203	ORIFICE SHIELD (M2)
321	11072204	ORIFICE SHIELD (M3)
371	0130F00105	LIMIT SWITCH (M2)
371	20162904	PRIMARY LIMIT-TEMPERATURE CONTROL (M1)
371	20162905	PRIMARY LIMIT-YELLOW (M3)
381	10236702	FRAME-WINDOW FUR

Expanded Model Nomenclature

M1 - DC96VC0714CXAA

M2 - DC96VC0915DXAA

M3 - DC96VC1155DXAA