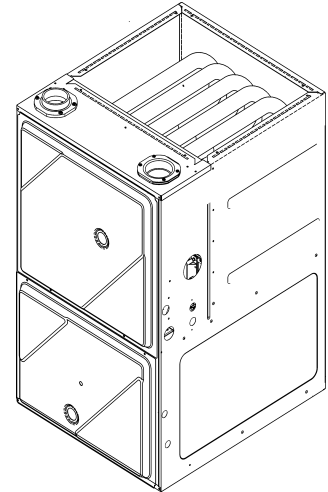


DC96TN 96% EEM Counter Flow Furnace

DC96TN0403BNAA
DC96TN0403BNAB
DC96TN0603BNAA
DC96TN0603BNAB
DC96TN0803BNAA
DC96TN0803BNAB
DC96TN1005CNAA
DC96TN1005CNAB



This manual is to be used by qualified technicians only.

This manual replaces RP-D2328

Important Information

Index

Functional Parts List	3
Illustration and Parts	4 - 11

Views shown are for parts illustrations only, not servicing procedures.

Text Codes:

AR - As Required

NA - Not Available

NS - Not Shown

00000000 - See Note

QTY - Quantity Example (QTY 3) (If Quantity not shown, Quantity = 1)

M - Model Example (M1) (If M Code not shown, then part is used on all Models)

Expanded Model Nomenclature:

Example
M1 - Model#1
M2 - Model#2
M3 - Model#3

Daikin Comfort Technologies Manufacturing , L.P. is not responsible for personal injury or property damage resulting from improper service. Review all service information before beginning repairs.

Warranty service must be performed by an authorized technician, using authorized factory parts. If service is required after the warranty expires, Daikin Comfort Technologies Manufacturing , L.P. also recommends contacting an authorized technician and using authorized factory parts.

Daikin Comfort Technologies Manufacturing , L.P. reserves the right to discontinue, or change at any time, specifications or designs without notice or without incurring obligations.

For assistance within the U.S.A. contact:
Homeowner Support
Daikin Comfort Technologies Manufacturing , L.P.
19001 Kermier Road
Waller, Texas 77484
855-770-5678-Telephone
713-863-2382-Facsimile

For assistance outside the U.S.A. contact:
International Division
Daikin Comfort Technologies Manufacturing , L.P.
19001 Kermier Road
Waller, Texas 77484
713-861-2500-Telephone
713-863-2382-Facsimile

Functional Parts

Part

No: Description:

20162904	*PRIMARY LIMIT-TEMPERATURE CONTROL (M5, M6)
PCBBF167	2 STAGE IFC (M2, M4, M6, M8)
0130F00038	AUX LIMIT - LT BLUE 120° (QTY 2)
0163F00017	BECKETT BURNER (QTY 2)
0271F00462	BLOWER HOUSING ASSY (M1, M2)
764740	BLWR BLK-OFF, 10X8 (M1, M2)
PCBBF164	CIRCUIT BOARD FURNACE (M1, M3, M5, M7)
0130F00010	FLAME SENSOR
0151M00027	GAS VALVE
0257F00423	HEAT EXCHANGER ASSY (M3, M4)
0257F00428	HEAT EXCHANGER ASSY (M7, M8)
0257F00422	HEAT EXCHANGER ASSY (M1, M2)
0257F00424	HEAT EXCHANGER ASSY (M5, M6)
0130F00008	IGNITOR-SINI 17 SEC
10123533	MANUAL RESET R.O.S. LIMIT (M1, M2, M5, M6)
10123538	MANUAL RESET R.O.S. LIMIT (M3, M4)
0130F00123	MANUAL RESET R.O.S. LIMIT (M7, M8)
0271F00507	MORRISON 11 X 10 BLOWER (M7, M8)
0271F00506	MORRISON 11 X 8 BLOWER (M3, M4, M5, M6)
0131F00114M	MOTOR 1 HP W/O CONTROLLER (M7, M8)
0131F00112M	MOTOR 1/2 HP W/O CONTROLLER (M1, M2, M3, M4, M5, M6)
0131F00228	MOTOR PROGRAMMED (M1, M2)
0131F00230	MOTOR PROGRAMMED (M5, M6)
0131F00229	MOTOR PROGRAMMED (M3, M4)
0131F00231	MOTOR PROGRAMMED (M7, M8)
0171M00002	MOTOR-ID, BLOWER
0130F00435	PRESSURE SWITCH (M1, M2, M3, M4)
0130F00434	PRESSURE SWITCH (M7, M8)
0130F00436	PRESSURE SWITCH (M5, M6)
0130F00429	PRESSURE SWITCH (M3, M4, M5, M6, M7, M8)
20162906	PRIMARY LIMIT - WHITE (M1, M2, M3, M4, M7, M8)
0130M00243	SWITCH, INTERLOCK
0130M00140	TRANSFORMER, 120V TO 24V, 40VA
0150M00043	WHEEL, BLOWER (10 X 8) (M1, M2)

SPECIAL PARTS

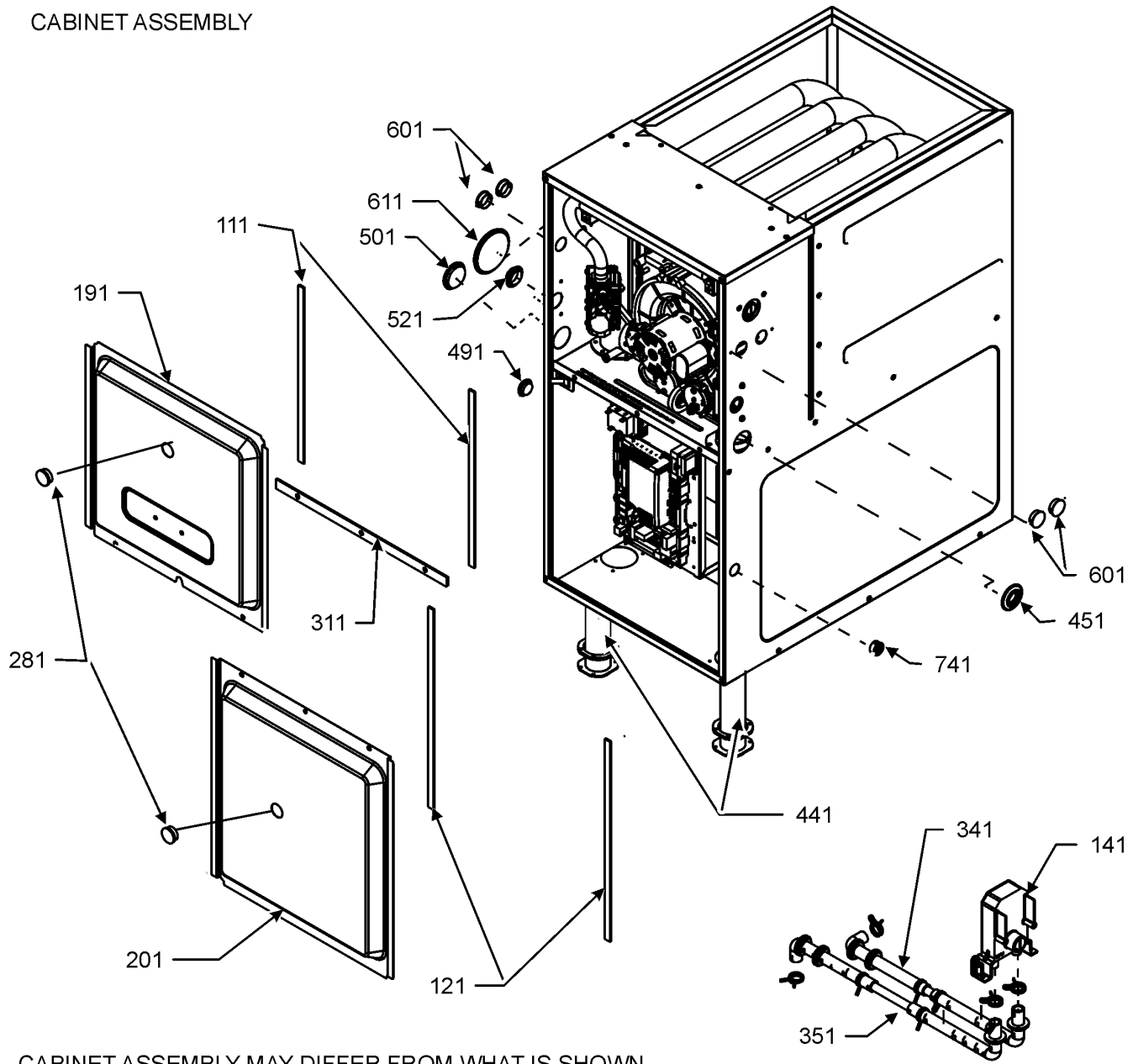
0161F00090 NAMEPLATE, DAIKIN

Expanded Model Nomenclature

M1 - DC96TN0403BNAA
M2 - DC96TN0403BNAB
M3 - DC96TN0603BNAA
M4 - DC96TN0603BNAB
M5 - DC96TN0803BNAA
M6 - DC96TN0803BNAB
M7 - DC96TN1005CNAA
M8 - DC96TN1005CNAB

Cabinet Assembly

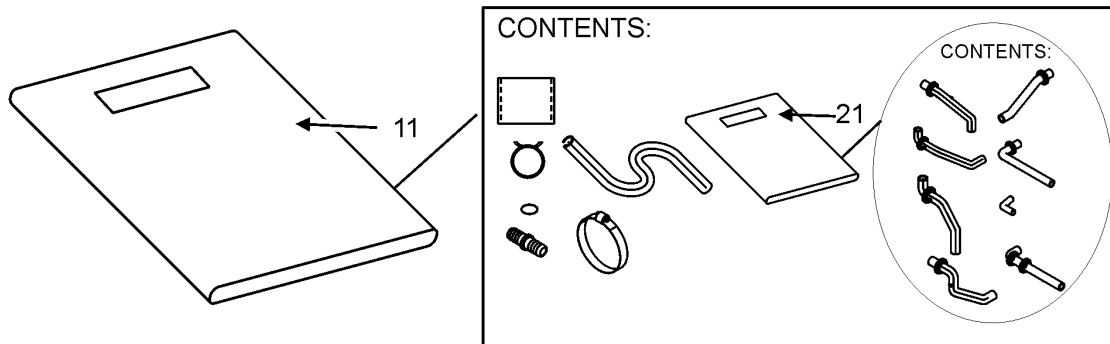
CABINET ASSEMBLY



CABINET ASSEMBLY MAY DIFFER FROM WHAT IS SHOWN

DRAIN TRAP ASSEMBLY

DRAIN KIT ASSEMBLY



Cabinet Assembly

Ref. Part No:	Part No:	Description:	Ref. Part No:	Part No:	Description:
---------------	----------	--------------	---------------	----------	--------------

Image 1:

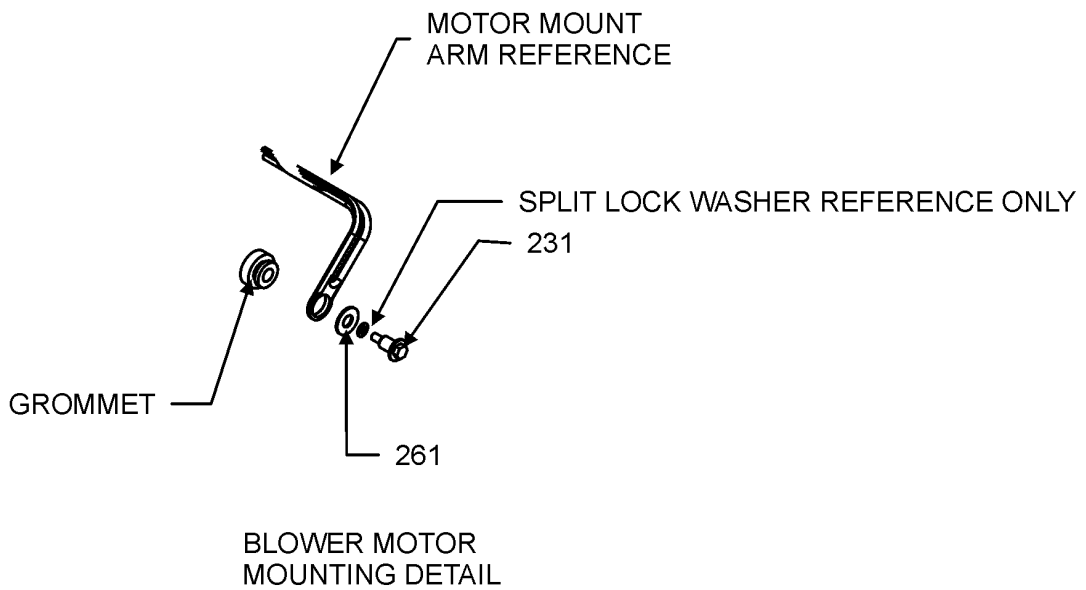
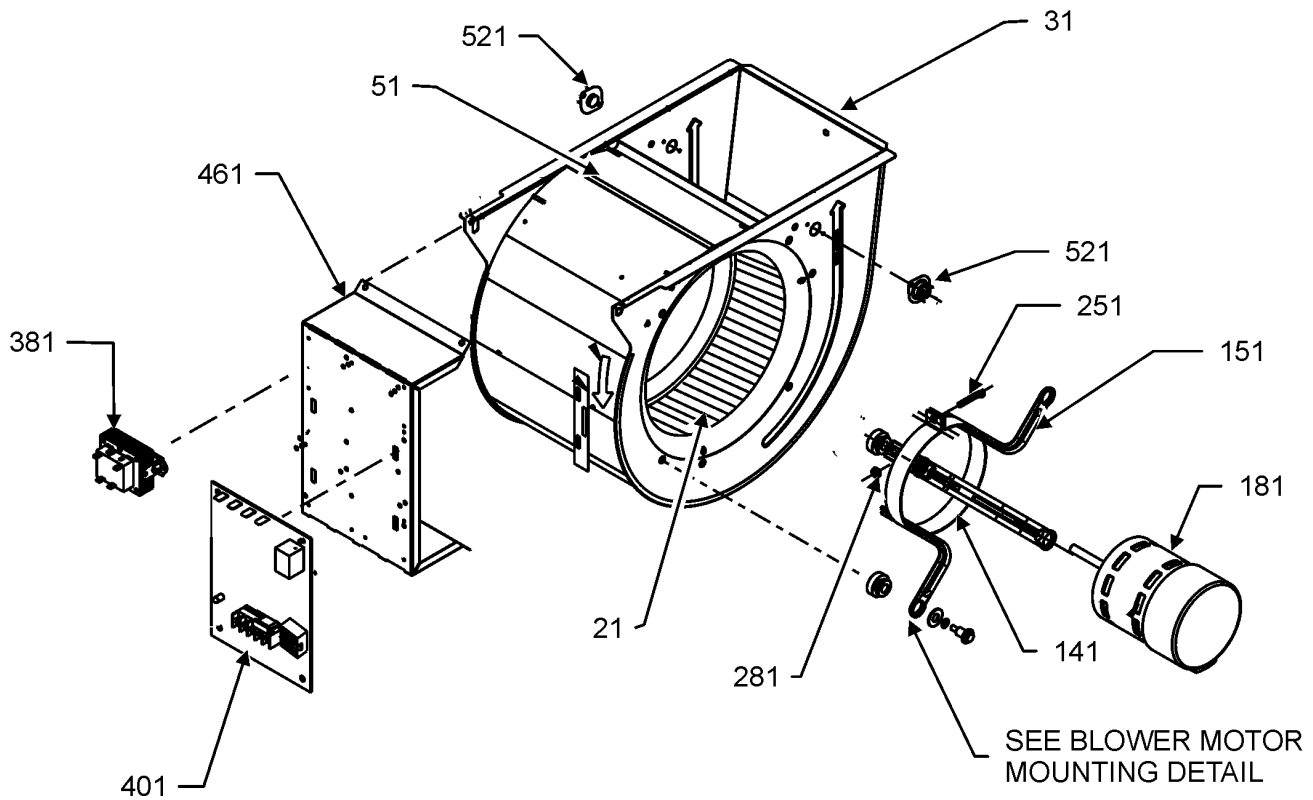
11	0270F05403	DRAIN KIT ASSY			
21	0270F05403	DRAIN KIT ASSY			
111	0154F00024	GASKET (QTY 2)			
121	0154F00025	GASKET (QTY 2)			
141	0161F00046	DRAIN TRAP			
191	0121F00337NG	DOOR, ACCESS 17.5" PNT (M1, M2, M3, M4, M5, M6)			
191	0121F00338NG	DOOR, ACCESS 21" PNT (M7, M8)			
201	0121F00340NG	DOOR, BLOWER 17.5" PNT (M1, M2, M3, M4, M5, M6)			
201	0121F00341NG	DOOR, BLOWER 21" PNT (M7, M8)			
281	B1392139	VIEW PORT BUSHING (QTY 2)			
311	0154F00020	DECK GASKET (M1, M2, M3, M4, M5, M6)			
311	0154F00021	DECK GASKET (M7, M8)			
341	0270F03125	CF DRAIN TUBE ASSY (M1, M2, M3, M4, M5, M6)			
341	0270F03515	CF DRAIN TUBE ASSY (M7, M8)			
351	0270F03126	CF DRAIN TUBE ASSY (M7, M8)			
351	0270F03514	CF DRAIN TUBE ASSY (M1, M2, M3, M4, M5, M6)			
441	0161F00064	PIPE, STRAIGHT CF (QTY 2)			
451	M0501301	PIPE GROMMET			
491	M0570808	BUTTON PLUG			
501	M0570806	BUTTON PLUG			
521	0161M00027	HOLE PLUG			
601	B1392021	PLASTIC PLUG, 1" (2713-BLK) (QTY 4)			
611	0163M00460	CLAMP-HOSE (QTY 2)			
741	B1392104	UNIVERSAL BUSHING UB 875			
NS	M0310345	BUTTON PLUG (QTY 2)			
NS	M0570807	BUTTON PLUG			
NS	M0209730	DECORATIVE SCREW (QTY 3)			
NS	0154F00041	FRESH AIR GASKET			
NS	0163M00319	HEX NUT INSERT (QTY 3)			
NS	0161F00090	NAMEPLATE, DAIKIN			
NS	M0273904	RETAINER SCREW (QTY 3)			

Expanded Model Nomenclature

- | |
|---------------------|
| M1 - DC96TN0403BNAA |
| M2 - DC96TN0403BNAB |
| M3 - DC96TN0603BNAA |
| M4 - DC96TN0603BNAB |
| M5 - DC96TN0803BNAA |
| M6 - DC96TN0803BNAB |
| M7 - DC96TN1005CNAA |
| M8 - DC96TN1005CNAB |

Blower Assembly

BLOWER ASSEMBLY



BLOWER ASSEMBLY MAY DIFFER FROM WHAT IS SHOWN

Blower Assembly

Ref. Part No:	Part No:	Description:	Ref. Part No:	Part No:	Description:
---------------	----------	--------------	---------------	----------	--------------

Image 1:

21	0150M00043	WHEEL, BLOWER (10 X 8) (M1, M2)
31	0271F00462	BLOWER HOUSING ASSY (M1, M2)
31	0271F00507	MORRISON 11 X 10 BLOWER (M7, M8)
31	0271F00506	MORRISON 11 X 8 BLOWER (M3, M4, M5, M6)
51	764740	BLWR BLK-OFF, 10X8 (M1, M2)
141	0121M00039	MOUNT BAND, MOTOR (HEAVY DUTY)
151	0163M00538	MOUNT ARM, MOTOR (QTY 3)
181	0131F00114M	MOTOR 1 HP W/O CONTROLLER (M7, M8)
181	0131F00112M	MOTOR 1/2 HP W/O CONTROLLER (M1, M2, M3, M4, M5, M6)
181	0131F00228	MOTOR PROGRAMMED (M1, M2)
181	0131F00229	MOTOR PROGRAMMED (M3, M4)
181	0131F00230	MOTOR PROGRAMMED (M5, M6)
181	0131F00231	MOTOR PROGRAMMED (M7, M8)
231	M0250565	TC SCREW 1.25" (QTY 3)
251	0163M00320	HEX HEAD ALL THREAD TAP BOLT
261	B1392918	FLAT WASHER (QTY 3)
281	B1393800	LOCKNUT, NYLON, INSERT 1/4, 20
381	0130M00140	TRANSFORMER, 120V TO 24V, 40VA
401	PCBBF167	2 STAGE IFC (M2, M4, M6, M8)
401	PCBBF164	CIRCUIT BOARD FURNACE (M1, M3, M5, M7)
461	0121F00464	CONTROL MOUNTING PLATE
521	0130F00038	AUX LIMIT - LT BLUE 120° (QTY 2)
NS	B1392021	1" PLASTIC PLUG (QTY 4)
NS	0159F00160	CTM, MOTOR HARNESS
NS	0259F00024	HARNESS - BLOWER
NS	M0282015	KEPS NUT (M7, M8)
NS	M0267144	SCREW-MACH (M7, M8)
NS	B1392820	SLIT LOCK WASHER (M7, M8)

Expanded Model Nomenclature

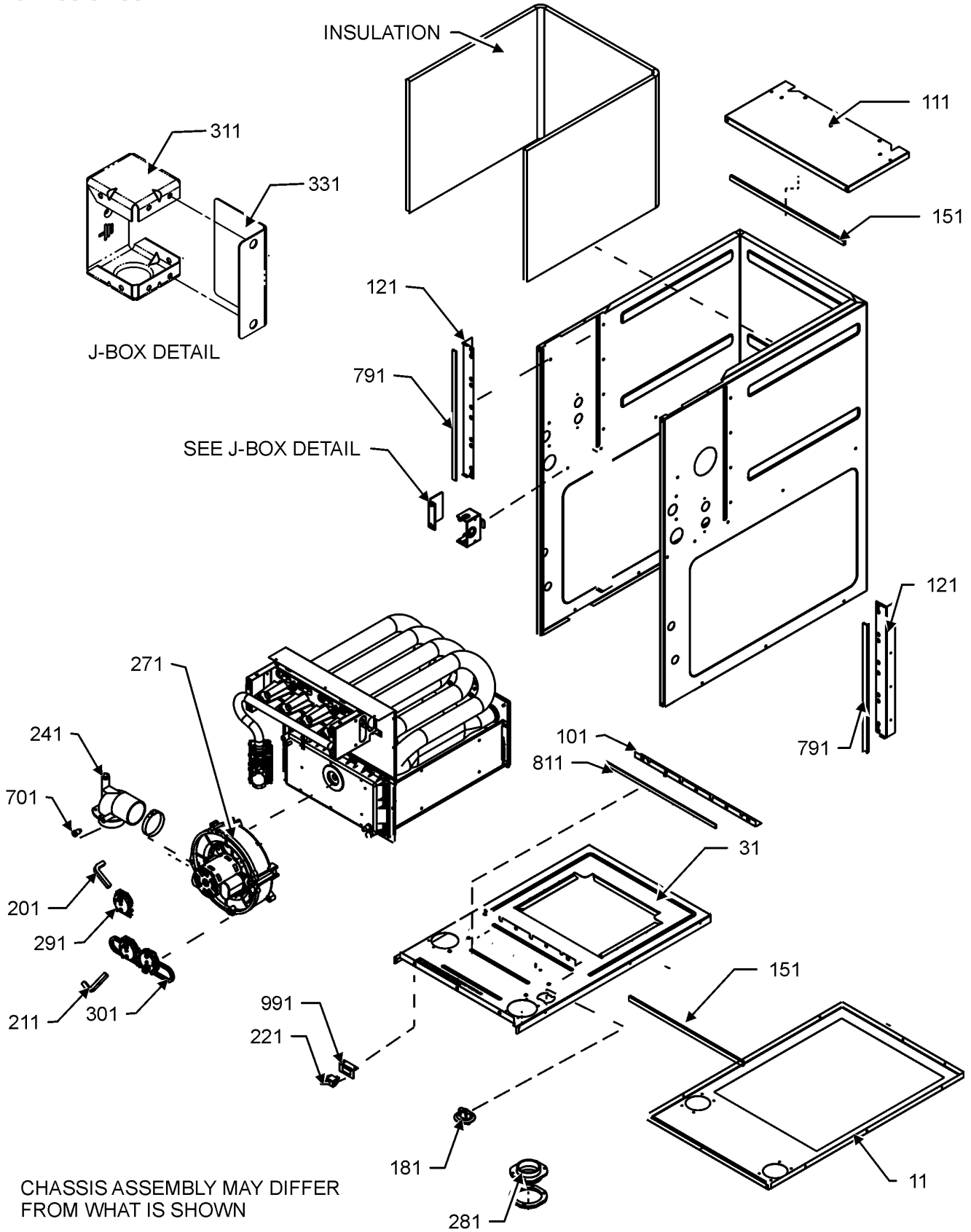
M1 - DC96TN0403BNAA
M2 - DC96TN0403BNAB
M3 - DC96TN0603BNAA
M4 - DC96TN0603BNAB
M5 - DC96TN0803BNAA
M6 - DC96TN0803BNAB
M7 - DC96TN1005CNAA
M8 - DC96TN1005CNAB

To replace the Shaft end of motor order:

0131F00112M	MOTOR 1/2 HP W/O CONTROLLER
0131F00113M	MOTOR 3/4 HP W/O CONTROLLER
0131F00114M	MOTOR 1 HP W/O CONTROLLER

Chassis Assembly

CHASSIS ASSEMBLY



Chassis Assembly

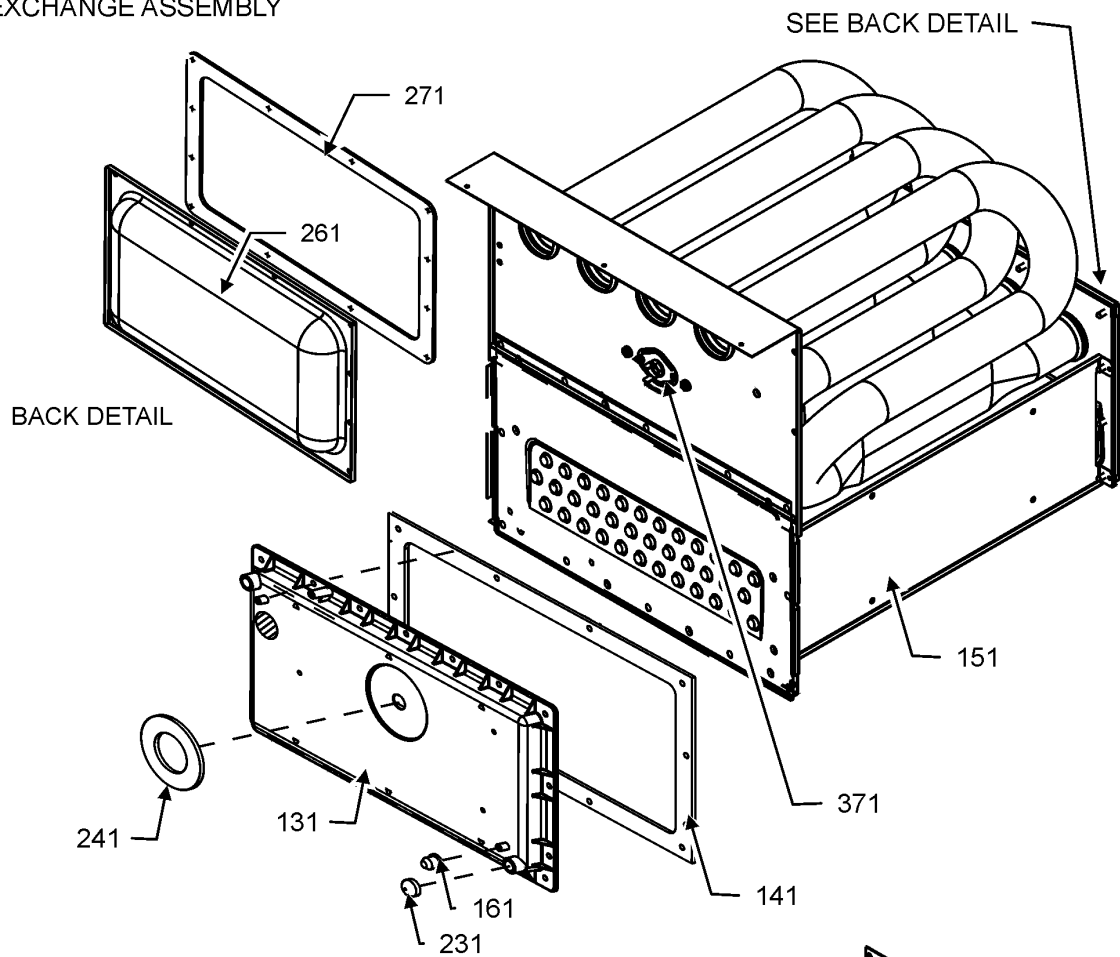
Ref. Part No:	Ref. Part No:	Description:	Description:
Image 1:			
11	0121F00548DG	PAINTED BASEPAN, 17.5 CF (M1, M2, M3, M4, M5, M6)	
11	0121F00549DG	PAINTED BASEPAN, 21 CF (M7, M8)	
31	0121F00536	DECK-BLOWER 17.5" CF (M1, M2, M3, M4, M5, M6)	
31	0121F00537	DECK-BLOWER 21" CF (M7, M8)	
101	0121F00314	ANGLE, DECK (M1, M2, M3, M4, M5, M6)	
101	0121F00315	ANGLE, DECK (M7, M8)	
111	0121F00426DG	TOP, PAINTED FURNACE 17.5" CF (M1, M2, M3, M4, M5, M6)	
111	0121F00434DG	TOP, PAINTED FURNACE 21" CF (M7, M8)	
121	0121F00313	SIDE ANGLE (QTY 2)	
151	20179309	GASKET (M1, M2, M3, M4, M5, M6)	
151	20179310	GASKET (M7, M8)	
181	0159F00140	HARNESS, WIRING (M1, M2)	
181	0159F00141	HARNESS, WIRING (M3, M4, M5, M6, M7, M8)	
201	0164M00115	HOSE- PRESSURE SW 6"	
211	0164M00117	HOSE- PRESSURE SW 8" (M7, M8)	
221	0130M00243	SWITCH, INTERLOCK	
241	0164F00003	ELBOW-FLUE, 17.5" CFLOW (M1, M2, M3, M4, M5, M6)	
241	0164F00004	ELBOW-FLUE, 21" CFLOW (M7, M8)	
271	0171M00002	MOTOR-ID, BLOWER	
281	0161F00037	COUPLING	
291	0130F00429	PRESSURE SWITCH (M3, M4, M5, M6, M7, M8)	
301	0130F00434	PRESSURE SWITCH (M7, M8)	
301	0130F00435	PRESSURE SWITCH (M1, M2, M3, M4)	
301	0130F00436	PRESSURE SWITCH (M5, M6)	
311	0161F00042	JUNCTION BOX	
331	0161F00043	JUNCTION BOX LID	
701	M0326804	TUBE PLUG	
791	0154F00015	GASKET (QTY 2)	
811	0154F00014	GASKET (M1, M2, M3, M4, M5, M6)	
811	0154F00016	GASKET (M7, M8)	
991	0121F00389	BRACKET, DOOR SWITCH	
NS	0160F00015	INSULATION, HT EXCHANGER 17.5" (M1, M2, M3, M4, M5, M6)	
NS	0160F00016	INSULATION, HT EXCHANGER 21" (M7, M8)	

Expanded Model Nomenclature

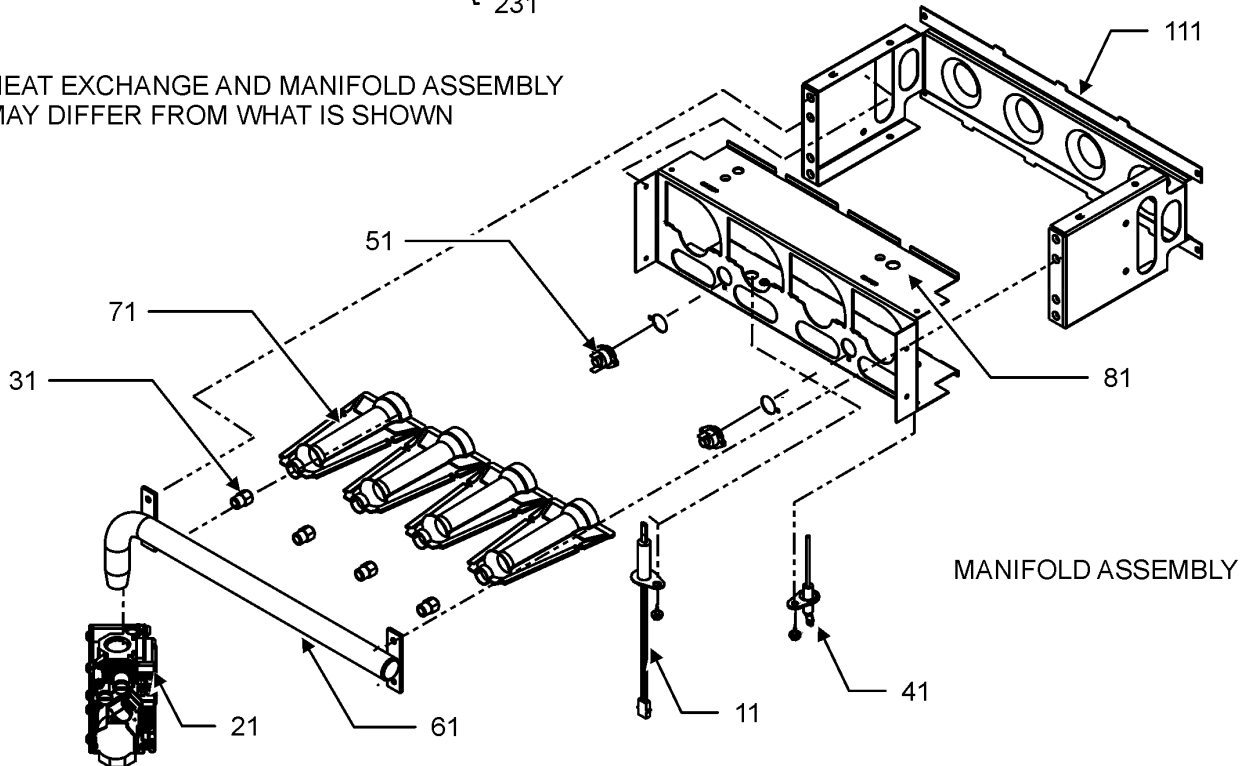
M1 - DC96TN0403BNAA
M2 - DC96TN0403BNAB
M3 - DC96TN0603BNAA
M4 - DC96TN0603BNAB
M5 - DC96TN0803BNAA
M6 - DC96TN0803BNAB
M7 - DC96TN1005CNAA
M8 - DC96TN1005CNAB

Heat Exchange and Manifold Assembly

HEAT EXCHANGE ASSEMBLY



HEAT EXCHANGE AND MANIFOLD ASSEMBLY
MAY DIFFER FROM WHAT IS SHOWN



Heat Exchange and Manifold Assembly

Ref. Part No:	Description:	Ref. Part No:	Description:
Image 1:		Expanded Model Nomenclature	
11	0130F00008	IGNITOR-SINI 17 SEC	M1 - DC96TN0403BNA A
21	0151M00027	GAS VALVE	M2 - DC96TN0403BNA B
31	10716005	ORIFICE (QTY 2)	M3 - DC96TN0603BNA A
41	0130F00010	FLAME SENSOR	M4 - DC96TN0603BNA B
51	0130F00123	MANUAL RESET R.O.S. LIMIT (M7, M8)	M5 - DC96TN0803BNA A
51	10123533	MANUAL RESET R.O.S. LIMIT (M1, M2, M5, M6)	M6 - DC96TN0803BNA B
51	10123538	MANUAL RESET R.O.S. LIMIT (M3, M4)	M7 - DC96TN1005CNA A
61	0163F00007	MANIFOLD (M1, M2)	M8 - DC96TN1005CNA B
61	0163F00008	MANIFOLD (M3, M4)	
61	0163F00010	MANIFOLD (M7, M8)	
61	0163F00014	MANIFOLD (M5, M6)	
71	0163F00017	BECKETT BURNER (QTY 2)	
81	0121F00456	BRACKET-BURNER 2 (M1, M2)	
81	0121F00455	BRACKET-BURNER 3 (M3, M4)	
81	0121F00454	BRACKET-BURNER 4 (M5, M6)	
81	0121F00453	BRACKET-BURNER 5 (M7, M8)	
111	0121F00469	ORIFICE BRACKET-BURNER 2 (M1, M2)	
111	0121F00468	ORIFICE BRACKET-BURNER 3 (M3, M4)	
111	0121F00467	ORIFICE BRACKET-BURNER 4 (M5, M6)	
111	0121F00466	ORIFICE BRACKET-BURNER 5 (M7, M8)	
131	0161F00053	FRONT COVER (M1, M2)	
131	0161F00072	FRONT COVER (M7, M8)	
131	0161F00078	FRONT COVER (M3, M4)	
131	0161F00079	FRONT COVER (M5, M6)	
141	0154F00026	GASKET FRONT COVER (M1, M2, M3, M4, M5, M6)	
141	0154F00030	GASKET FRONT COVER (M7, M8)	
151	0257F00422	HEAT EXCHANGER ASSY (M1, M2)	
151	0257F00423	HEAT EXCHANGER ASSY (M3, M4)	
151	0257F00424	HEAT EXCHANGER ASSY (M5, M6)	
151	0257F00428	HEAT EXCHANGER ASSY (M7, M8)	
161	M0326804	TUBE PLUG	
231	A1781105	CAP-VINYL .500	
241	0154F00043	GASKET ID BLOWER	
261	0121F00317	REAR COVER (M1, M2, M3, M4, M5, M6)	
261	0121F00318	REAR COVER (M7, M8)	
271	0154F00037	REAR COVER GASKET (M1, M2, M3, M4, M5, M6)	
271	0154F00038	REAR COVER GASKET (M7, M8)	
371	20162904	*PRIMARY LIMIT-TEMPERATURE CONTROL (M5, M6)	
371	20162906	PRIMARY LIMIT - WHITE (M1, M2, M3, M4, M7, M8)	
NS	0154F00041	GASKET FRESH AIR	
NS	0121F00583	INSULATION, RETAINER (M1, M2, M3, M4, M5, M6)	
NS	0121F00584	INSULATION, RETAINER (M7, M8)	
NS	0121F00439	PRIMARY LIMIT-HEAT SHIELD	
NS	0121F00542	SHIELD, BURNER (M7, M8)	
NS	0121F00355	SHIELD, COIL (QTY 2)	