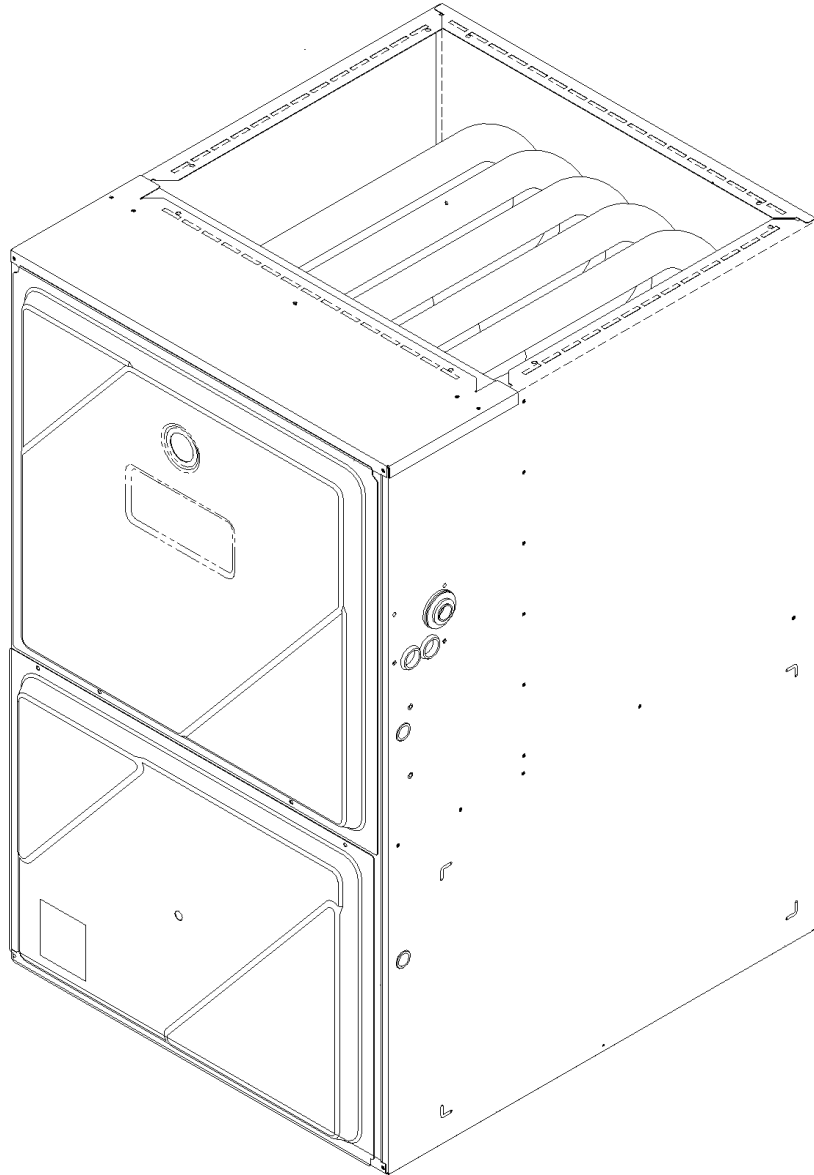


DC96MC 96% Modulating CF Furnace

DC96MC0604CXAA

DC96MC0805DXAA

DC96MC1005DXAA



This manual is to be used by qualified technicians only.

Important Information

Index

Functional Parts List	3
Illustration and Parts	4 - 11

Views shown are for parts illustrations only, not servicing procedures

Introduction of Daikin products.
11/18/13: Updated blower wheel B1368047A to B1368047.

Text Codes:

- AR - As Required
- NA - Not Available
- NS - Not Shown
- 00000000 - See Note
- QTY - Quantity Example (QTY 3) (If Quantity not shown, Quantity = 1)
- M - Model Example (M1) (If M Code not shown, then part is used on all Models)

Expanded Model Nomenclature:

Example M1 - Model#1 M2 - Model#2 M3 - Model#3

Daikin Company, L.P. is not responsible for personal injury or property damage resulting from improper service. Review all service information before beginning repairs.

Warranty service must be performed by an authorized technician, using authorized factory parts. If service is required after the warranty expires, Daikin Company, L.P. also recommends contacting an authorized technician and using authorized factory parts.

Daikin Company, L.P. reserves the right to discontinue, or change at any time, specifications or designs without notice or without incurring obligations.

For assistance within the U.S.A. contact:
Consumer Affairs Department
Daikin North America, LLC
7401 Security Way
Houston, Texas 77040
855-770-5678-Telephone
713-863-2382-Facsimile

For assistance outside the U.S.A. contact:
International Division
Daikin North America, LLC
7401 Security Way
Houston, Texas 77040
713-861-2500-Telephone
713-863-2382-Facsimile

Functional Parts

Part

No: Description:

10735102	BECKETT BURNER (QTY A/R)
D6723311	BLOWER WHEEL (M2, M3)
B1368047	BLOWER WHEEL 10 X 10 (M1)
0130F00363	DATA, FURNACE PCB MEMORY CHIP (M2)
0130F00364	DATA, FURNACE PCB MEMORY CHIP (M3)
0130F00362	DATA, FURNACE PCB MEMORY CHIP (M1)
0130F00010	FLAME SENSOR
0130F00008	IGNITOR-SINI 17 SEC
0130F00123	LIMIT, RESET MAN (QTY 2)
0131M00272	MOTOR, 1 HP, SERIAL ECM (M2, M3)
0131M00271	MOTOR, 3/4 HP, SERIAL ECM (M1)
0131F00024	MOTOR, ID BLOWER
PCBKF200	PCB, CONTROL, FURNACE
0130F00156	PRESSURE SWITCH (M1)
0130F00070	PRESSURE SWITCH
0130F00155	PRESSURE SWITCH (M2)
0130F00154	PRESSURE SWITCH (M3)
20162907	PRIMARY LIMIT (M1)
20162903	PRIMARY LIMIT - BLUE (M3)
0130F00038	PRIMARY LIMIT - LT BLUE 120° (QTY 2)
20162905	PRIMARY LIMIT-YELLOW (M2)
0130M00140	TRANSFORMER 120V TO 24V, 40 VA

SPECIAL PARTS

0161F00039 NAMEPLATE, DAIKIN

Expanded Model Nomenclature

M1 - DC96MC0604CXAA

M2 - DC96MC0805DXAA

M3 - DC96MC1005DXAA

Cabinet

Image 1

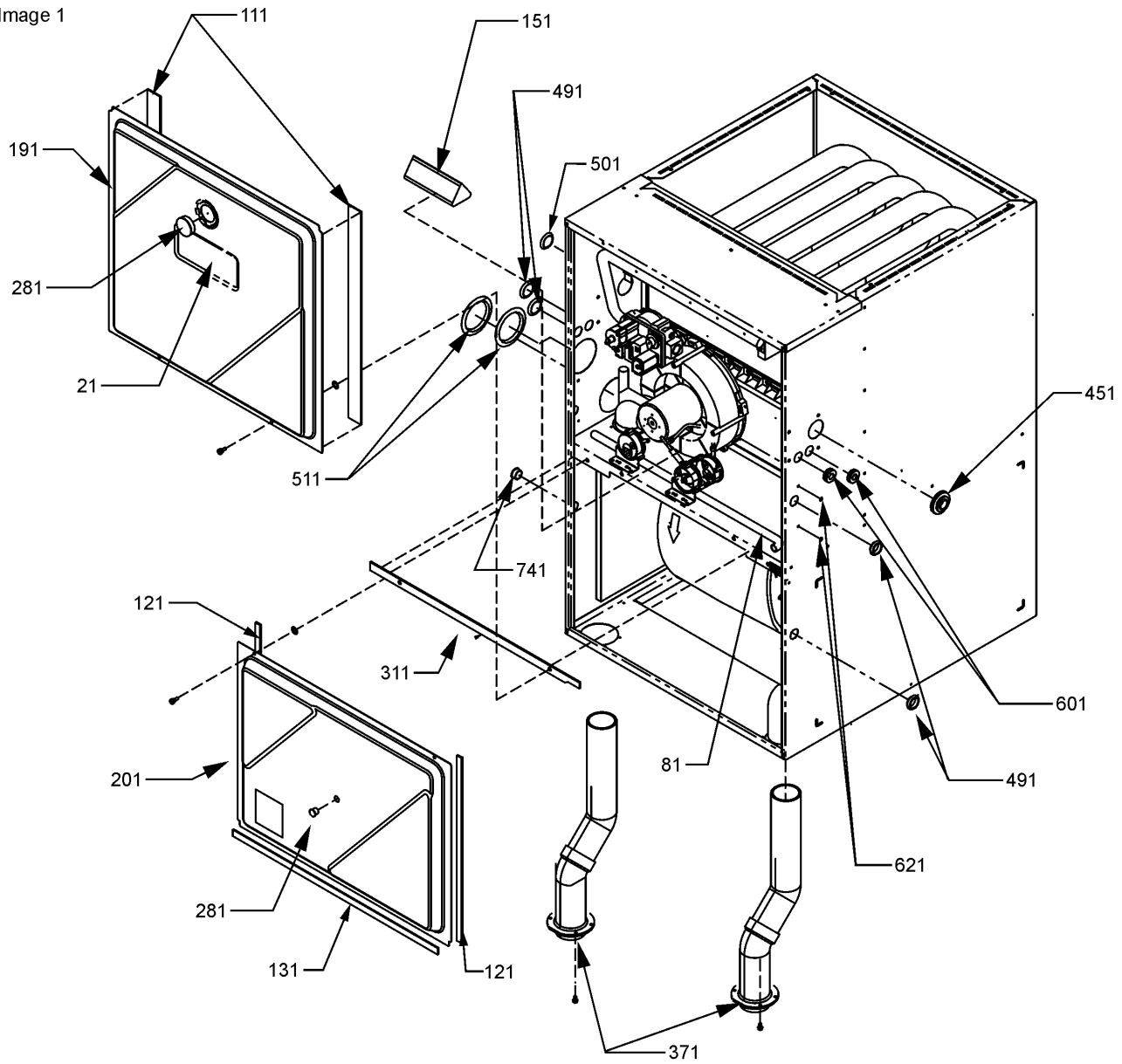
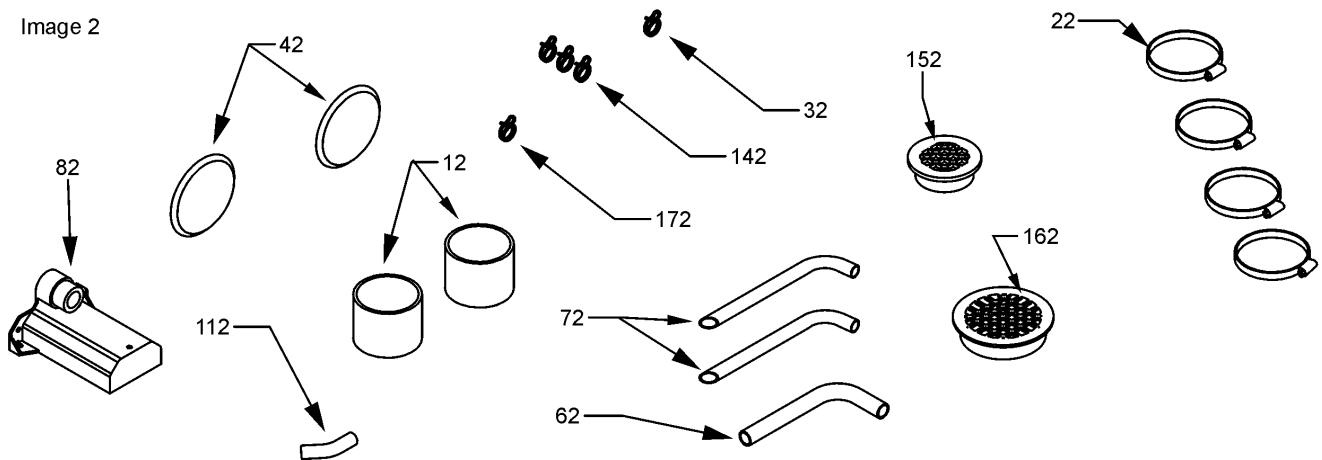


Image 2



Cabinet

Ref. Part No: No:	Description:	Ref. Part No: No:	Description:
-------------------	--------------	-------------------	--------------

Image 1:

21	0161F00039	NAMEPLATE, DAIKIN
81	20201902	DRAIN HOSE
111	20179308	GASKET (QTY 2)
121	20179311	GASKET (QTY 2)
131	20179312	GASKET (M1)
131	20179313	GASKET (M2, M3)
151	10195518	STANDPIPE BAG ASSY
191	0121F00067NG	ACCESS DOOR (M1)
191	0121F00068NG	ACCESS DOOR (M2, M3)
201	0121F00064NG	BLOWER DOOR (M1)
201	0121F00065NG	BLOWER DOOR (M2, M3)
281	B1392139	VIEW PORT BUSHING-BLOWER DOOR (QTY 2)
311	22320002	DECK GASKET (M1)
311	22320003	DECK GASKET (M2, M3)
371	22309502	FLUE PIPE (QTY 2)
451	M0501301	PIPE GROMMET
491	M0570808	BUTTON PLUG (QTY 4)
501	M0570806	BUTTON PLUG
511	M0570807	BUTTON PLUG (QTY 2)
601	A4691701	GROMMET (QTY 2)
621	M0310345	BUTTON PLUG (QTY 2)
741	B1392104	UNIVERSAL BUSHING UB 875

Image 2:

22	0163M00049	HOSE CLAMP (QTY 2)
32	M0119207	HOSE CLAMP
42	M0570807	BUTTON PLUG (QTY 2)
62	20201901	DRAIN HOSE
72	20201802	DRAIN TUBE (QTY 2)
82	20171701	DRAIN TRAP
112	20214202	DRAIN ANGLE
142	M0119205	HOSE CLAMP (QTY 3)
152	B2810816	2" MESH INSERT
162	B2810814	3" MESH INSERT
172	M0119206	HOSE CLAMP

Expanded Model Nomenclature

M1 - DC96MC0604CXAA
M2 - DC96MC0805DXAA
M3 - DC96MC1005DXAA

Blower Assembly

*If end bells are needed please order the following:

0131M00182 - 1/2 HP

0131M00183 - 3/4 HP

0131M00184 - 1 HP

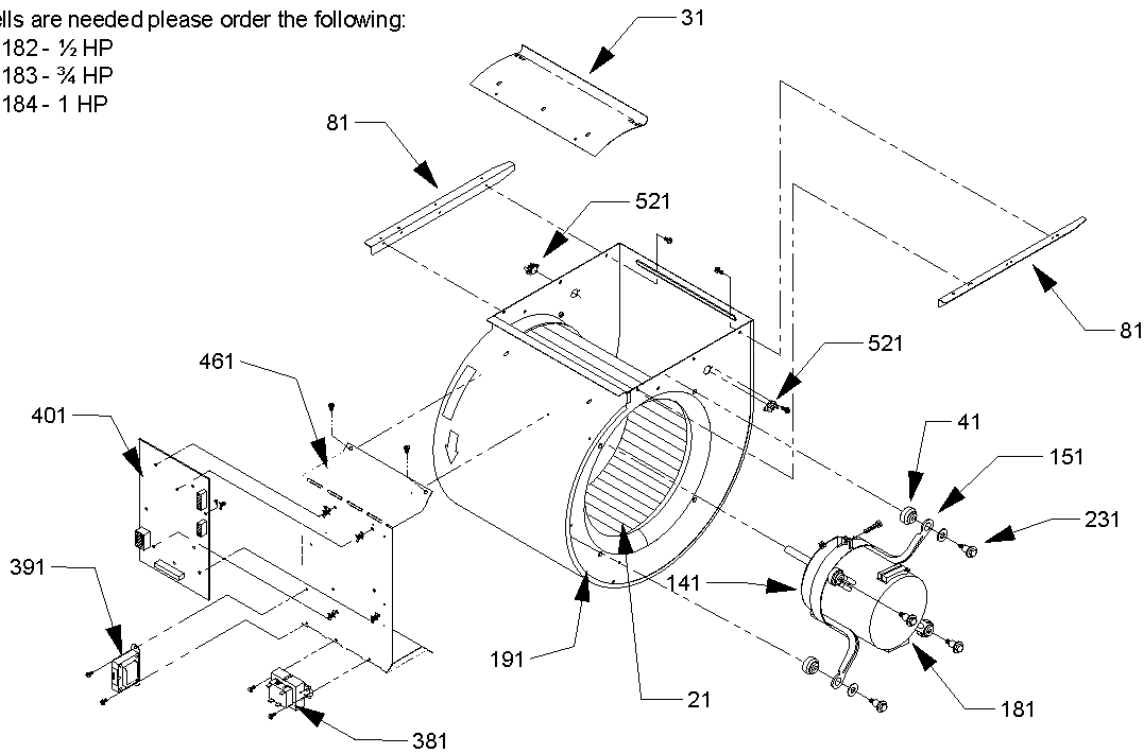
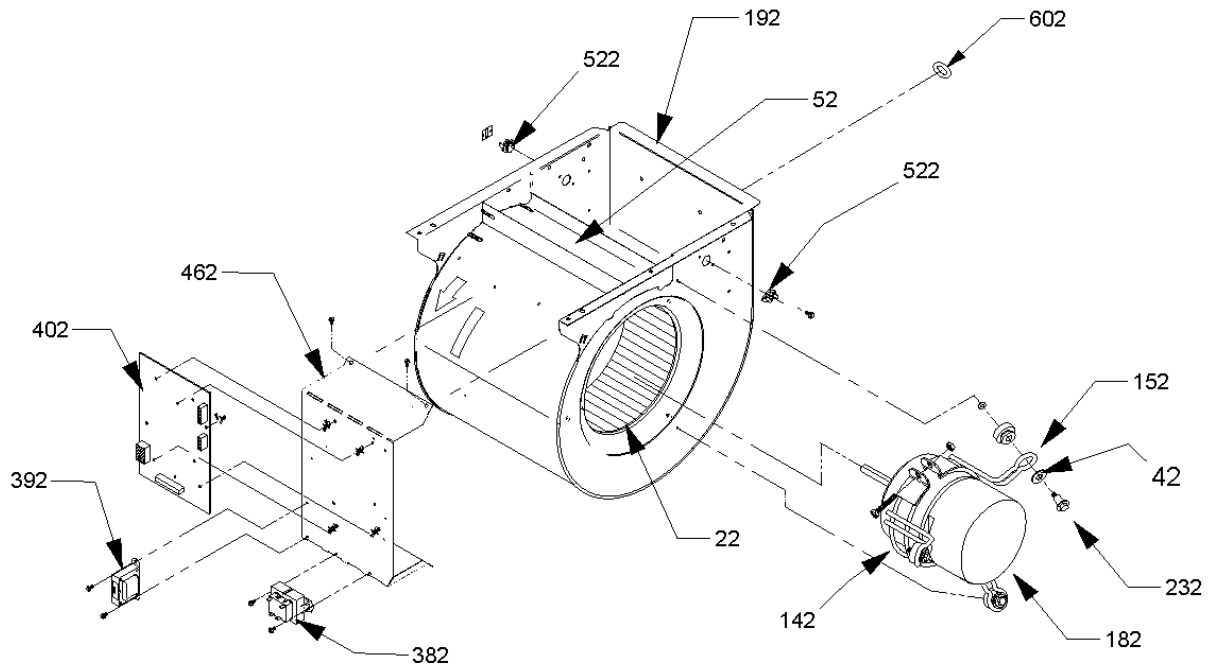


Image 1

Image 2



Blower Assembly

Ref. Part No: No:	Description:	Ref. Part No: No:	Description:
-------------------	--------------	-------------------	--------------

Image 1:

21	D6723311	BLOWER WHEEL (M2, M3)
31	C6121807	BLOWER CUT-OFF (M2, M3)
41	A4002702	BLOWER MOTOR GROMMET (M2, M3)
81	20175101	BLOWER SIDE RAIL (M2, M3)
141	10441601	MOTOR MOUNT BAND (M2, M3)
151	10441501	MOTOR MOUNT ARM (M2, M3)
181	0131M00272	MOTOR, 1 HP, SERIAL ECM (M2, M3)
191	0271F00047	BLOWER HOUSING ASSY 11 X 10 (M2, M3)
231	M0221461	TC SCREW (M2, M3)
381	0130M00140	TRANSFORMER 120V TO 24V, 40 VA (M2, M3)
391	0130M00141	INDUCTOR, 5.9 AMPS (GMPE100-4) (M2, M3)
401	PCBKF200	PCB, CONTROL, FURNACE (M2, M3)
461	0121F00094	CONTROL MOUNT PANEL (M2, M3)
521	0130F00038	PRIMARY LIMIT - LT BLUE 120° (M2, M3)
NS	0259F00040	CONTROL HARNESS (M2, M3)
NS	0130F00362	DATA, FURNACE PCB MEMORY CHIP (M1)
NS	0130F00363	DATA, FURNACE PCB MEMORY CHIP (M2)
NS	0130F00364	DATA, FURNACE PCB MEMORY CHIP (M3)
NS	0159F00021	HARNESS, WIRING (M2, M3)
NS	0259F00041	POWER HARNESS (M2, M3)
NS	0259F00024	WIRE HARNESS-BLOWER (M2, M3)

Image 2:

22	B1368047	BLOWER WHEEL 10 X 10 (M1)
42	B1392918	WASHER, FLAT 1/4 ID X 1 (M1)
52	764741F	BLOWER BLOCK-OFF 10 X 10 (M1)
142	0121M00038	MOTOR MOUNT BAND (M1)
152	B1376857	MOTOR MOUNT ARM (M1)
182	0131M00271	MOTOR, 3/4 HP, SERIAL ECM (M1)
192	0271F00004P	BLOWER HOUSING ASSY 10 X 10 (M1)
232	M0250565	TC SCREW 1.25" (M1)
382	0130M00140	TRANSFORMER 120V TO 24V, 40 VA (M1)
392	0130M00141	INDUCTOR, 5.9 AMPS (GMPE100-4) (M1)
402	PCBKF200	PCB, CONTROL, FURNACE (M1)
462	0121F00094	CONTROL MOUNT PANEL (M1)
522	0130F00038	PRIMARY LIMIT - LT BLUE 120° (M1)
602	B1392021	PLASTIC PLUG, 1" (2713-BLK) (M1)
NS	0259F00040	CONTROL HARNESS (M1)
NS	0159F00021	HARNESS, WIRING (M1)
NS	0259F00041	POWER HARNESS HIGH VOLTAGE (M1)
NS	0259F00024	WIRE HARNESS-BLOWER (M1)

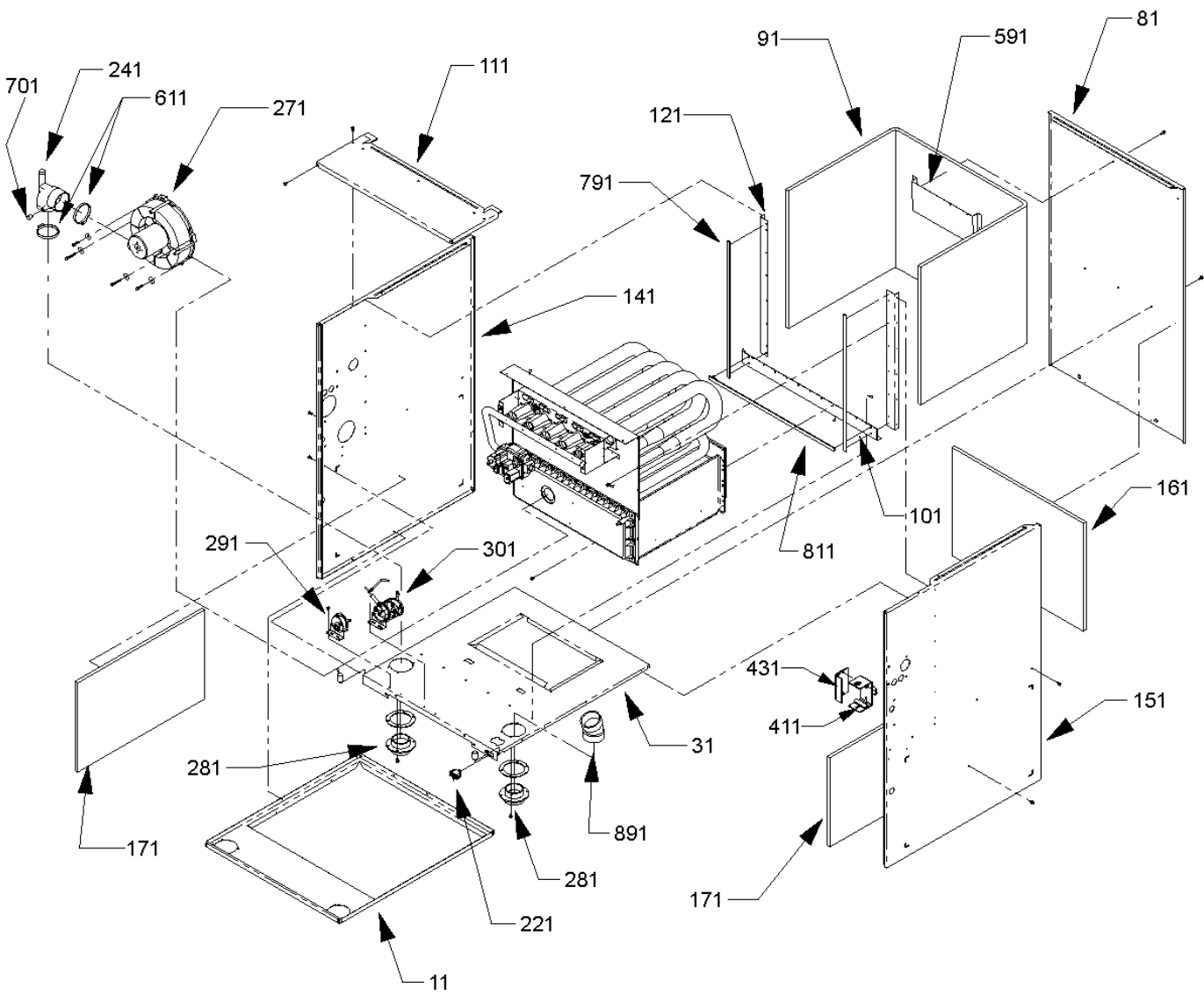
Expanded Model Nomenclature

M1 - DC96MC0604CXAA
M2 - DC96MC0805DXAA
M3 - DC96MC1005DXAA

*If end bells are needed please order the following:

0131M00182 - 1/2 HP
 0131M00183 - 3/4 HP
 0131M00184 - 1 HP

Chassis



Chassis

Ref. Part No: No:	Description:	Ref. Part No: No:	Description:
<i>Image 1:</i>			
11	20273509		BASEPAN-C'FLOW FURN (M1)
11	20273511		BASEPAN-C'FLOW FURN (M2, M3)
31	0121F00046		BLOWER DECK (M1)
31	0121F00049		BLOWER DECK (M2, M3)
81	20273216		BACK PANEL (M1)
81	20273218		BACK PANEL (M2, M3)
91	C6415909		HEAT EXCHANGER INSULATION (M2, M3)
91	C6415911		HEAT EXCHANGER INSULATION (M1)
101	0121F00019P		DECK RAIL (M1)
101	20191303		DECK RAIL (M2, M3)
111	0270F00104P		TOP COVER ASSY (M1)
111	0270F00105P		TOP COVER ASSY (M2, M3)
121	20191603		SIDE RAIL (M1)
121	20191604		SIDE RAIL (M2, M3)
221	B1370818		INTERLOCK SWITCH
241	20171802		ELBOW
271	0131F00024		MOTOR, ID BLOWER
281	20049701		FA COUPLING (QTY 2)
291	0130F00070		PRESSURE SWITCH
301	0130F00154		PRESSURE SWITCH (M3)
301	0130F00155		PRESSURE SWITCH (M2)
301	0130F00156		PRESSURE SWITCH (M1)
411	0161F00012		JUNCTION BOX-PLA
431	0161F00013		JUNCTION BOX-LID
591	11165107		ID BLOWER SHIELD
611	0163M00049		HOSE CLAMP (QTY 2)
701	M0326804		TUBE PLUG
791	20194608		GASKET (QTY 2)
811	20194607		GASKET
891	C6455901		ELBOW-22 1/2 ELL
NS	0164M00002		PRESSURE SWITCH HOSE
NS	0164M00011		PRESSURE SWITCH HOSE (M2, M3)
NS	0164M00015		PRESSURE SWITCH HOSE

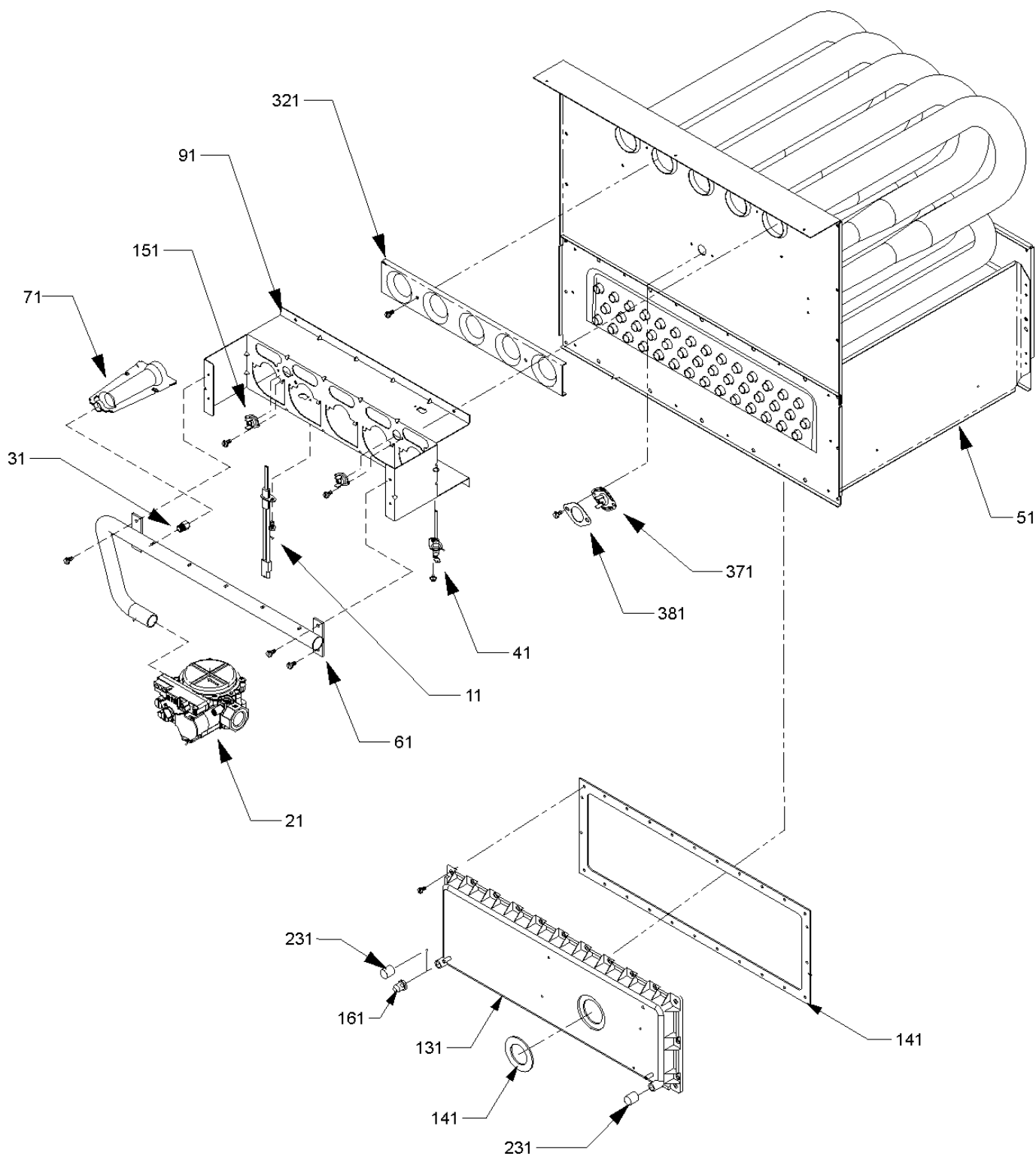
Expanded Model Nomenclature

M1 - DC96MC0604CXAA

M2 - DC96MC0805DXAA

M3 - DC96MC1005DXAA

Heat Exchanger / Manifold / Gas Valve



Heat Exchanger / Manifold / Gas Valve

Ref. Part No:	Part No:	Description:	Ref. Part No:	Part No:	Description:
---------------	----------	--------------	---------------	----------	--------------

Image 1:

11	0130F00008	IGNITOR-SINI 17 SEC
21	0151M00024	GAS VALVE
31	0163F00004	ORIFICE (QTY 3)
41	0130F00010	FLAME SENSOR
51	0257F00219	HEAT EXCHANGER ASSY (M1)
51	0257F00220	HEAT EXCHANGER ASSY (M2)
51	0257F00314	HEAT EXCHANGER ASSY (M3)
61	0120F00024	MANIFOLD (M1)
61	0120F00025	MANIFOLD (M2)
61	0120F00026	MANIFOLD (M3)
71	10735102	BECKETT BURNER (QTY A/R)
91	20190411	BURNER BRACKET 3B (M1)
91	20190412	BURNER BRACKET 4B (M2)
91	20190413	BURNER BRACKET 5B (M3)
131	20170909A	FRONT COVER (M1)
131	20171004A	FRONT COVER (M3)
131	20171007A	FRONT COVER (M2)
141	0154F00001P	COIL GASKET (M1)
141	0154F00002P	COIL GASKET (M2, M3)
151	0130F00123	LIMIT, RESET MAN (QTY 2)
161	M0326804	TUBE PLUG
231	A1781105	CAP-VINYL .500 (QTY 2)
321	0121F00265	ORIFICE SHIELD (M1)
321	0121F00266	ORIFICE SHIELD (M2)
321	0121F00267	ORIFICE SHIELD (M3)
371	20162907	PRIMARY LIMIT (M1)
371	20162903	PRIMARY LIMIT - BLUE (M3)
371	20162905	PRIMARY LIMIT-YELLOW (M2)
381	10236702	FRAME-WINDOW FUR

Expanded Model Nomenclature

M1 - DC96MC0604CXAA

M2 - DC96MC0805DXAA

M3 - DC96MC1005DXAA