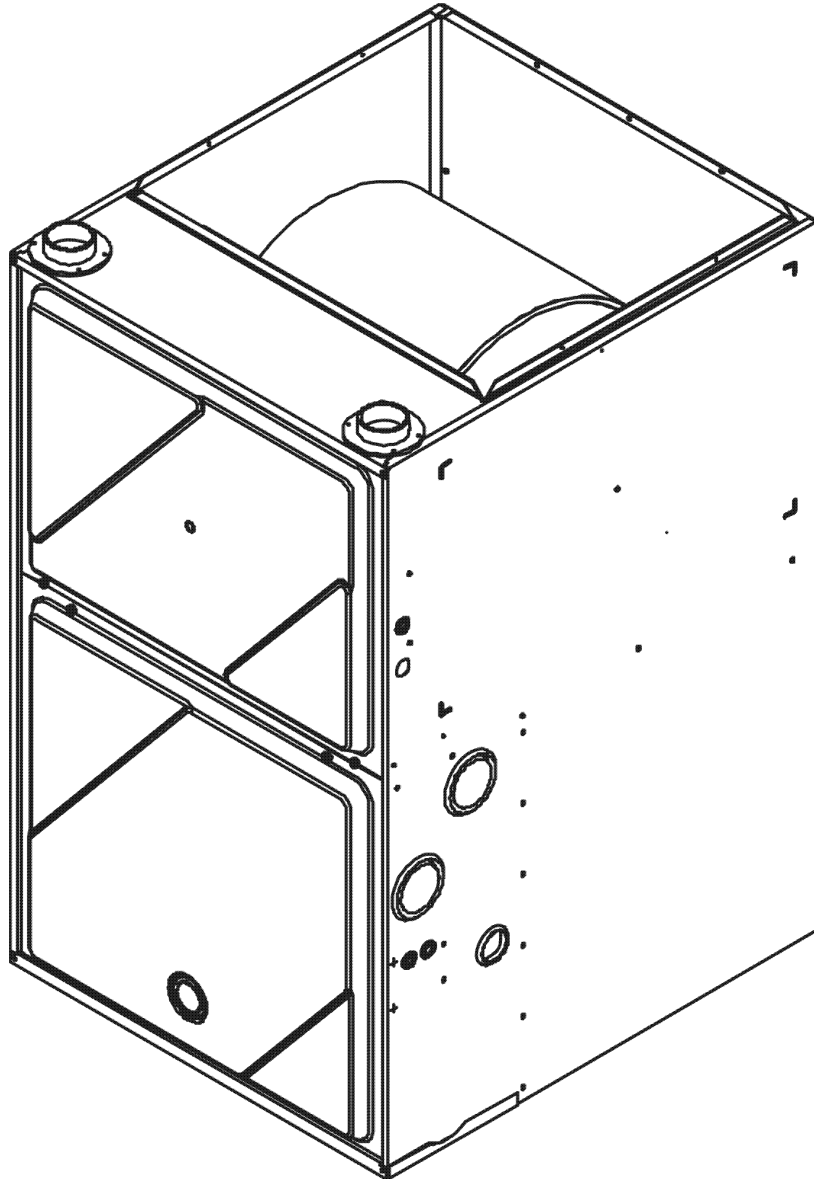


DC92SS 92% PSC Counter Flow Furnace (34.5" Cabinet)

DC92SS0402BNAA
DC92SS0603BNAA
DC92SS0804CNAA
DC92SS1005CNAA



This manual is to be used by qualified technicians only.

Important Information

Index

Functional Parts List	3
Illustration and Parts	4 - 11

Views shown are for parts illustrations only, not servicing procedures

Short 90% Furnace Project

Text Codes:

AR - As Required

NA - Not Available

NS - Not Shown

00000000 - See Note

QTY - Quantity Example (QTY 3) (If Quantity not shown, Quantity = 1)

M - Model Example (M1) (If M Code not shown, then part is used on all Models)

Expanded Model Nomenclature:

Example M1 - Model#1 M2 - Model#2 M3 - Model#3

Daikin Company, L.P. is not responsible for personal injury or property damage resulting from improper service. Review all service information before beginning repairs.

Warranty service must be performed by an authorized technician, using authorized factory parts. If service is required after the warranty expires, Daikin Company, L.P. also recommends contacting an authorized technician and using authorized factory parts.

Daikin Company, L.P. reserves the right to discontinue, or change at any time, specifications or designs without notice or without incurring obligations.

For assistance within the U.S.A. contact:

Consumer Affairs Department
Daikin North America, LLC
7401 Security Way
Houston, Texas 77040
855-770-5678-Telephone
713-863-2382-Facsimile

For assistance outside the U.S.A. contact:

International Division
Daikin North America, LLC
7401 Security Way
Houston, Texas 77040
713-861-2500-Telephone
713-863-2382-Facsimile

Functional Parts

Part

No: **Description:**

0163F00017	BECKETT BURNER (QTY A/R)
0271F00161	BLOWER SHELL & WHEEL ASSY (M4)
0150M00043	BLOWER WHEEL 10 X 8 (M1, M2)
2939204	BLWR SCROLL 10X10 (M3)
CAP125000370VAP	CAP, 12.5 MFD/370V/OVAL (M1, M2)
CAP150000370VAP	CAP, 15 MFD/370V/OVAL (M4)
CAP200000370VAP	CAP, 20 MFD/370V/OVAL (M3)
0130F00010	FLAME SENSOR
0151M00037	GAS VALVE
0257F00353	HEAT EXCHANGER ASSY (M4)
0257F00336	HEAT EXCHANGER ASSY (M1)
0257F00343	HEAT EXCHANGER ASSY (M2)
0257F00350	HEAT EXCHANGER ASSY (M3)
B1370818	INTERLOCK SWITCH
0130F00071	LIMIT SWITCH (M2)
10123539	MANUAL RESET LIMIT - ROS (M4)
10123534	MANUAL RESET LIMIT - ROS (M3)
10123530	MANUAL RESET LIMIT - ROS (M2)
10123517	MANUAL RESET LIMIT - ROS (M1)
0131F00038	MOTOR, 1/2 HP (M3)
0131F00027	MOTOR, 1/3HP, 4SP, 6PL (M1, M2)
0131F00031	MOTOR, 3/4 HP (M4)
0171M00001	MOTOR-ID, BLOWER
PCBBF134	PCB, IGNITION, HSI, INTEG
0130F00480	PRESSURE SWITCH (-.1 / -1.2) (M3, M4)
0130F00477	PRESSURE SWITCH (-.1 / -1.27) (M1, M2)
0130F00038	PRIMARY LIMIT - LT BLUE 120° (AUX) (QTY 2)
0130F00036	PRIMARY LIMIT - PINK (M3, M4)
20162901	PRIMARY LIMIT-RED (M1)
0130F00008	SINI IGNITOR
0130M00140	TRANSFORMER, 120V TO 24V,40VA
0150M00042	WHEEL, BLOWER (10 X 10) (M3)

SPECIAL PARTS

0161F00039 DAIKIN NAMEPLATE

Expanded Model Nomenclature

M1 - DC92SS0402BNAA
M2 - DC92SS0603BNAA
M3 - DC92SS0804CNAA
M4 - DC92SS1005CNAA

Cabinet

Image 1

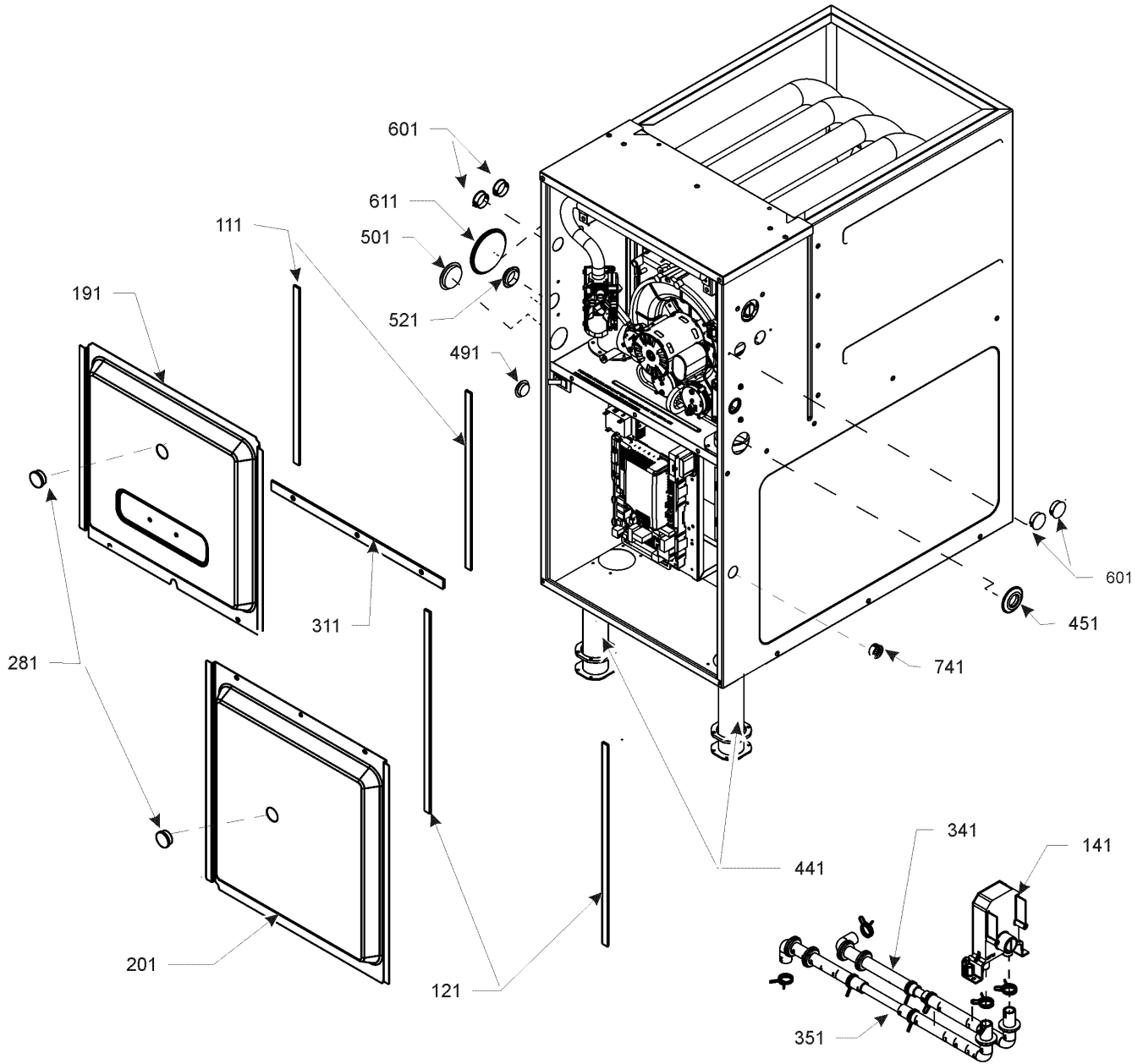
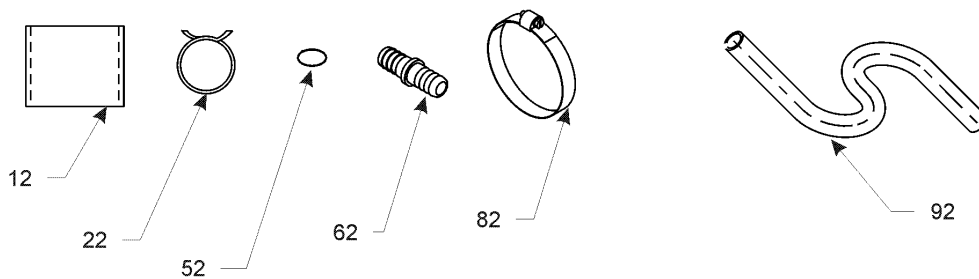


Image 2



Cabinet

Ref. Part No: No:	Description:	Ref. Part No: No:	Description:
-------------------	--------------	-------------------	--------------

Image 1:

111	0154F00024	GASKET (QTY 2)
121	0154F00023	GASKET (QTY 2)
141	0161F00046	DRAIN TRAP
191	0121F00338NG	DOOR ACCESS 21" PNT (M3, M4)
191	0121F00337NG	DOOR, ACCESS 17.5" PNT (M1, M2)
201	0121F00340NG	DOOR, BLOWER 17.5" PNT (M1, M2)
201	0121F00341NG	DOOR, BLOWER 21" PNT (M3, M4)
281	B1392139	VIEW PORT BUSHING-BLOWER DOOR (QTY 2)
311	0154F00020	DECK GASKET (M1, M2)
311	0154F00021	DECK GASKET (M3, M4)
341	0270F03125	CF DRAIN TUBE ASSY (M1, M2)
341	0270F03126	CF DRAIN TUBE ASSY (M3, M4)
341	0270F03515	CF DRAIN TUBE ASSY (M3, M4)
351	0270F03514	CF DRAIN TUBE ASSY (M1, M2)
441	0161F00064	PIPE, STRAIGHT CF (QTY 2)
451	M0501301	PIPE GROMMET
491	M0570808	BUTTON PLUG
501	M0570806	BUTTON PLUG (QTY 2)
521	0161M00027	HOLE PLUG
601	B1392021	PLASTIC PLUG, 1" (2713-BLK) (QTY 4)
611	0163M00049	HOSE CLAMP (QTY 2)
741	B1392104	UNIVERSAL BUSHING UB 875
NS	M0310345	BUTTON PLUG (QTY 2)
NS	M0570807	BUTTON PLUG
NS	0161F00039	DAIKIN NAMEPLATE

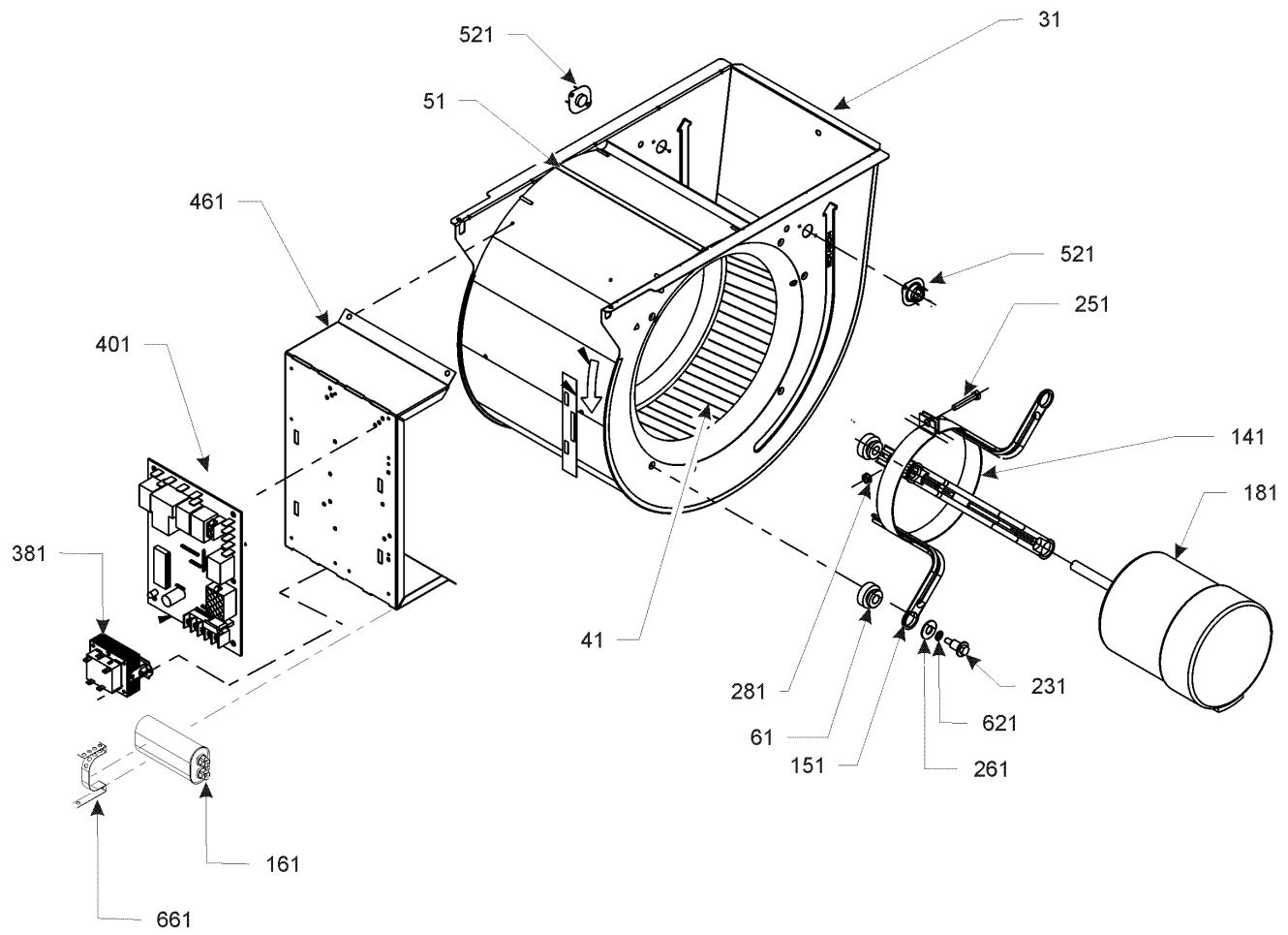
Image 2:

12	10254303	RUBBER COUPLING
22	M0119207	HOSE CLAMP (QTY 5)
52	M0119206	HOSE CLAMP (QTY 4)
62	0161F00047	HOSE BARBED COUPLING
82	0163M00049	HOSE CLAMP (QTY 2)
92	0164M00016	PRESSURE SWITCH HOSE

Expanded Model Nomenclature

M1 - DC92SS0402BNAA
M2 - DC92SS0603BNAA
M3 - DC92SS0804CNAA
M4 - DC92SS1005CNAA

Blower Assembly



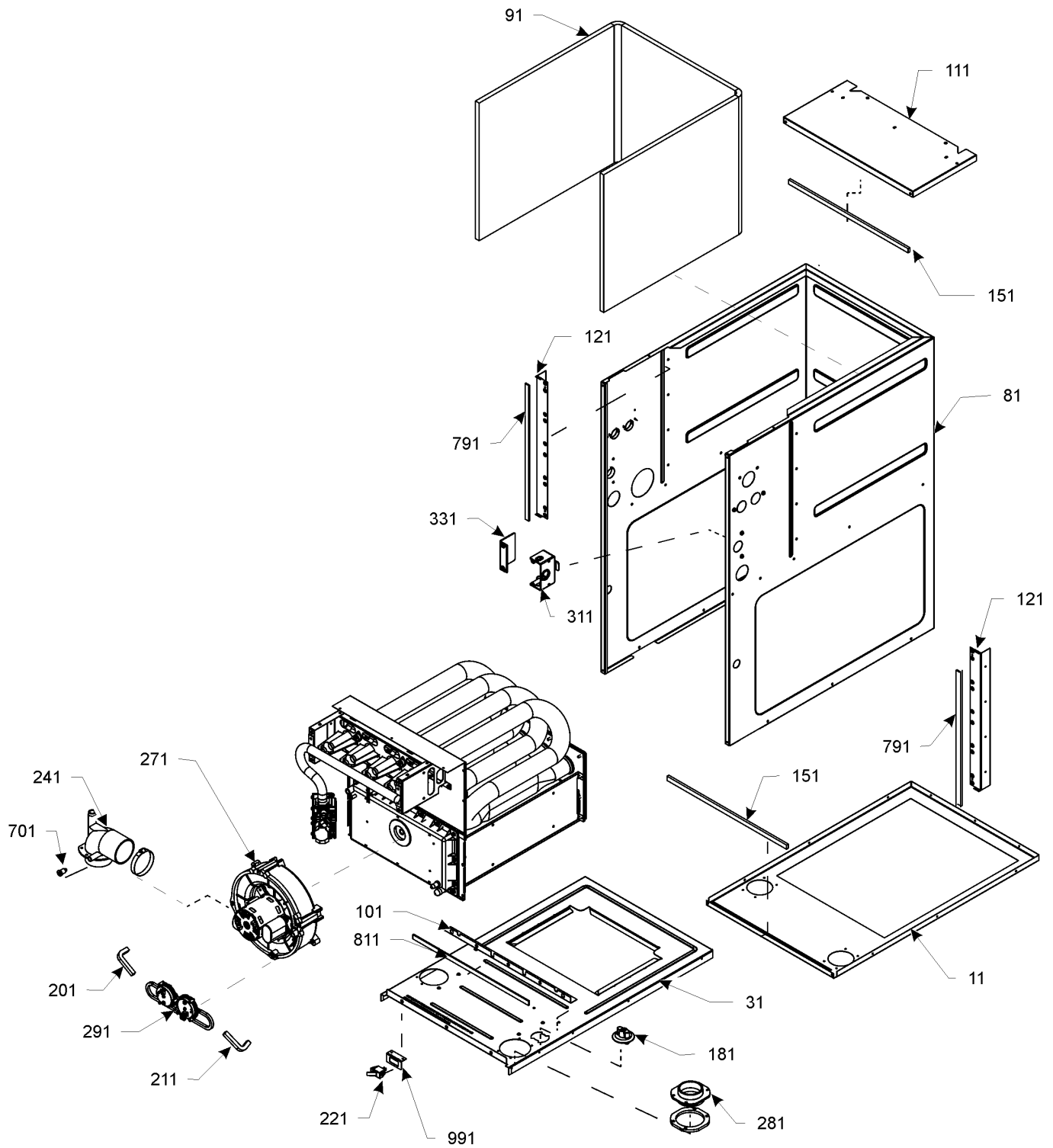
Blower Assembly

Ref. Part No:	No:	Description:	Ref. Part No:	No:	Description:
Image 1:					
31	0271F00161	BLOWER SHELL & WHEEL ASSY (M4)			
31	2939204	BLWR SCROLL 10X10 (M3)			
31	2939203	BLWR SCROLL 10X8 (M1, M2)			
41	0150M00043	BLOWER WHEEL 10 X 8 (M1, M2)			
41	0150M00042	WHEEL, BLOWER (10 X 10) (M3)			
51	764741F	BLOWER BLOCK-OFF 10 X 10 (M3)			
51	764740	BLOWER BLOCK-OFF,10X8 (M1, M2)			
61	A4002702	BLOWER MOTOR GROMMET (M4)			
141	10441601	MOTOR MOUNT BAND (M4)			
151	10441501	MOTOR MOUNT ARM (M4)			
161	CAP125000370VAP	CAP, 12.5 MFD/370V/OVAL (M1, M2)			
161	CAP150000370VAP	CAP, 15 MFD/370V/OVAL (M4)			
161	CAP200000370VAP	CAP, 20 MFD/370V/OVAL (M3)			
181	0131F00038	MOTOR, 1/2 HP (M3)			
181	0131F00027	MOTOR, 1/3HP, 4SP, 6PL (M1, M2)			
181	0131F00031	MOTOR, 3/4 HP (M4)			
231	M0221461	TC SCREW (M4)			
231	M0250558	TC SCREW (M1, M2, M3)			
251	M0267144	MACHINE SCREW (M4)			
261	M0274008	FLAT WASHER (M4)			
281	M0282015	KEPS NUT (M4)			
381	0130M00140	TRANSFORMER, 120V TO 24V,40VA			
401	PCBBF134	PCB, IGNITION, HSI, INTEG			
461	0121F00464	CONTROL MOUNTING PLATE			
521	0130F00038	PRIMARY LIMIT - LT BLUE 120° (AUX) (QTY 2)			
621	B1392820	SLIT LOCK WASHER (M4)			
661	20520901	CAPACITOR STRAP			
NS	B1392021	1" PLASTIC PLUG (QTY 4)			
NS	0259F00024	WIRE HARNESS - BLOWER			

Expanded Model Nomenclature

- | |
|---------------------|
| M1 - DC92SS0402BNAA |
| M2 - DC92SS0603BNAA |
| M3 - DC92SS0804CNAA |
| M4 - DC92SS1005CNAA |

Chassis



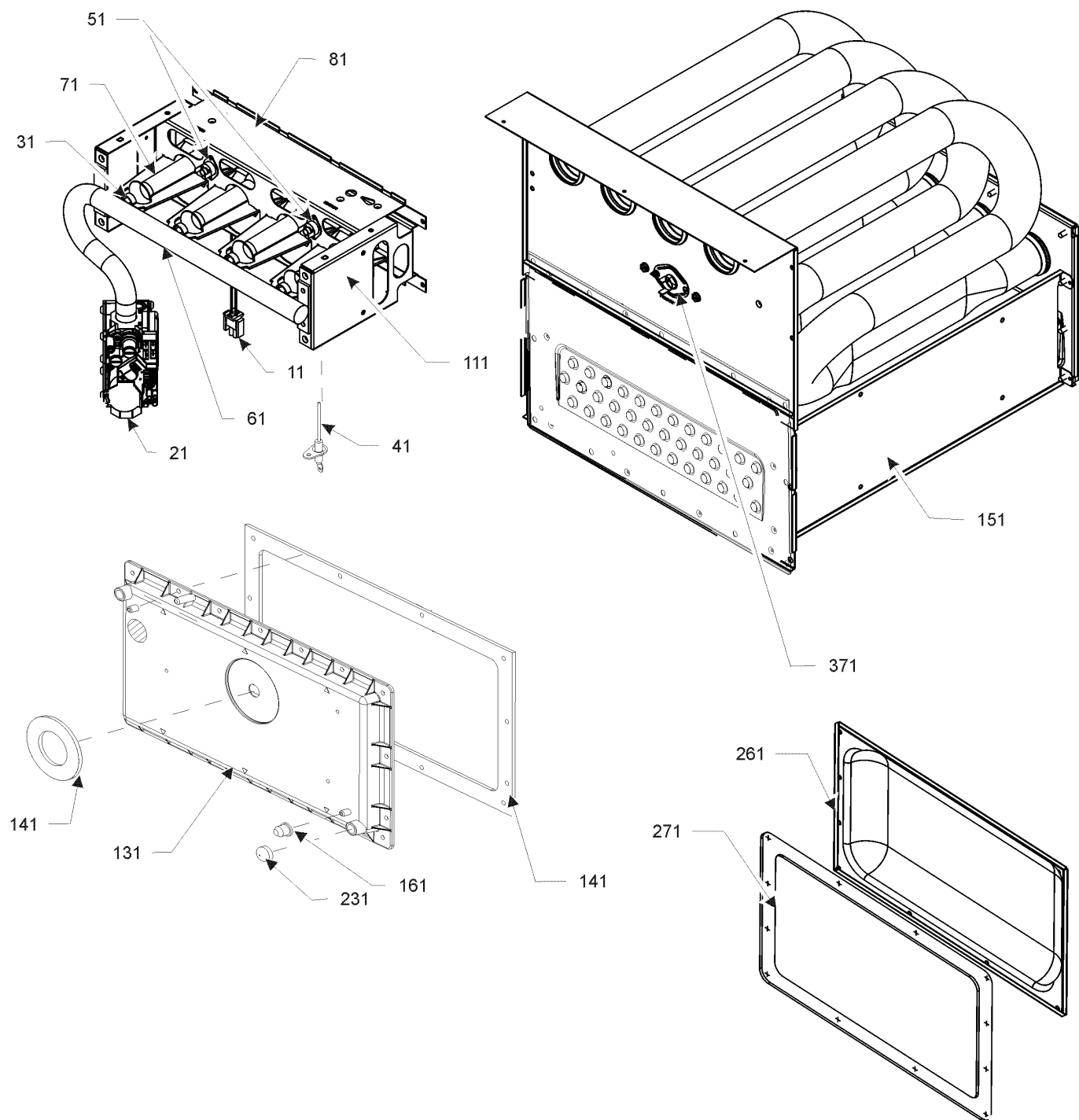
Chassis

Ref. Part No: No:	Description:	Ref. Part No: No:	Description:
<i>Image 1:</i>			
11	0121F00435DG		PAINTED BASE PAN-21" C (M3, M4)
11	0121F00427DG		PAINTED BASEPAN,17.5" CF (M1, M2)
31	0121F00425		DECK-BLOWER, 17.5" CF (M1, M2)
31	0121F00433		DECK-BLOWER, 21" CF (M3, M4)
81	0121F00448		WRAPPER-1PC, 17.5 CF (M1, M2)
81	0121F00449		WRAPPER-1PC, 21 CF (M3, M4)
91	0160F00015		INSULATION, HT EXCHANGER 17.5" (M1, M2)
91	0160F00016		INSULATION, HT EXCHANGER 21" (M3, M4)
101	0121F00314		ANGLE, DECK (M1, M2)
101	0121F00315		ANGLE, DECK (M3, M4)
111	0121F00426DG		TOP, PAINTED FURNACE 17.5" CF (M1, M2)
111	0121F00434DG		TOP, PAINTED FURNACE 21" CF (M3, M4)
121	0121F00313		SIDE ANGLE (QTY 2)
151	20215701		GASKET-FA
181	0159F00044		HARNESS-WIRING
201	0164M00008		PRESSURE HOSE, SW
211	0164M00015		PRESSURE SWITCH HOSE (M1, M2)
211	0164M00031		PRESSURE SWITCH HOSES 14" (M3, M4)
221	B1370818		INTERLOCK SWITCH
241	0164F00003		ELBOW-FLUE, 17.5" CFLOW (M1, M2)
241	0164F00004		ELBOW-FLUE, 21" CFLOW (M3, M4)
271	0171M00001		MOTOR-ID, BLOWER
281	0161F00037		COUPLING
291	0130F00480		PRESSURE SWITCH (-.1 / -1.2) (M3, M4)
291	0130F00477		PRESSURE SWITCH (-.1 / -1.27) (M1, M2)
311	0161F00042		JUNCTION BOX
331	0161F00043		JUNCTION BOX LID
701	M0326804		TUBE PLUG
791	0154F00015		GASKET (QTY 2)
811	0154F00014		GASKET (M1, M2)
811	0154F00016		GASKET (M3, M4)
991	0121F00389		BRACKET, DOOR SWITCH

Expanded Model Nomenclature

M1 - DC92SS0402BNAA
M2 - DC92SS0603BNAA
M3 - DC92SS0804CNAA
M4 - DC92SS1005CNAA

Heat Exchanger / Manifold / Gas Valve



Heat Exchanger / Manifold / Gas Valve

Ref. Part No:	Part No:	Description:	Ref. Part No:	Part No:	Description:
Image 1:					
11	0130F00008	SINI IGNITOR			
21	0151M00037	GAS VALVE			
31	0163F00004	ORIFICE (QTY A/R)			
41	0130F00010	FLAME SENSOR			
51	10123517	MANUAL RESET LIMIT - ROS (M1)			
51	10123530	MANUAL RESET LIMIT - ROS (M2)			
51	10123534	MANUAL RESET LIMIT - ROS (M3)			
51	10123539	MANUAL RESET LIMIT - ROS (M4)			
61	0163F00007	MANIFOLD (M1)			
61	0163F00008	MANIFOLD (M2)			
61	0163F00009	MANIFOLD (M3)			
61	0163F00010	MANIFOLD (M4)			
71	0163F00017	BECKETT BURNER (QTY A/R)			
81	0121F00456	BRACKET-BURNER 2 (M1)			
81	0121F00455	BRACKET-BURNER 3 (M2)			
81	0121F00454	BRACKET-BURNER 4 (M3)			
81	0121F00453	BRACKET-BURNER 5 (M4)			
111	0121F00469	ORIFICE BRACKET-BURNER 2 (M1)			
111	0121F00468	ORIFICE BRACKET-BURNER 3 (M2)			
111	0121F00467	ORIFICE BRACKET-BURNER 4 (M3)			
111	0121F00466	ORIFICE BRACKET-BURNER 5 (M4)			
131	0161F00017	COVER, FRONT (M4)			
131	0161F00018	COVER, FRONT (M3)			
131	0161F00031	COVER, FRONT (M2)			
131	0161F00054	COVER, FRONT (M1)			
141	0154F00011	GASKET, FRONT (M1, M2)			
141	0154F00012	GASKET, FRONT (M3, M4)			
151	0257F00336	HEAT EXCHANGER ASSY (M1)			
151	0257F00343	HEAT EXCHANGER ASSY (M2)			
151	0257F00350	HEAT EXCHANGER ASSY (M3)			
151	0257F00353	HEAT EXCHANGER ASSY (M4)			
161	M0326804	TUBE PLUG			
231	A1781105	CAP-VINYL .500			
261	0121F00317	COVER, REAR (M1, M2)			
261	0121F00318	COVER, REAR (M3)			
261	0121F00319	COVER, REAR (M4)			
271	0154F00008	GASKET, REAR CVR (M1, M2)			
271	0154F00009	GASKET, REAR CVR (M3)			
271	0154F00010	GASKET, REAR CVR (M4)			
371	0130F00071	LIMIT SWITCH (M2)			
371	0130F00036	PRIMARY LIMIT - PINK (M3, M4)			
371	20162901	PRIMARY LIMIT-RED (M1)			
NS	0121F00439	HEAT SHIELD - PRIMARY LIMIT			
NS	0121F00355	SHIELD, COIL (QTY 2)			

Expanded Model Nomenclature

M1 - DC92SS0402BNAA
M2 - DC92SS0603BNAA
M3 - DC92SS0804CNAA
M4 - DC92SS1005CNAA