

## DC80VE High Efficient Furnace

DC80VE0403AXAA  
DC80VE0403AXAB  
DC80VE0603AXAA  
DC80VE0603AXAB  
DC80VE0603BXAA  
DC80VE0603BXAB  
DC80VE0804BXAA  
DC80VE0804BXAB  
DC80VE0805CXAA  
DC80VE0805CXAB  
DC80VE1005CXAA  
DC80VE1005CXAB



This manual is to be used by qualified technicians only.

This manual replaces RP-D2321

© 2019 - 2020 **DAIKIN MANUFACTURING COMPANY, L.P.** ♦ 5151 San Felipe St, Suite 500 ♦ Houston, TX 77056

# Important Information

---

## Index

Functional Parts List .....	3
Illustration and Parts .....	4 - 9

*Views shown are for parts illustrations only, not servicing procedures*

### Text Codes:

AR - As Required

NA - Not Available

NS - Not Shown

00000000 - See Note

QTY - Quantity Example (QTY 3) (If Quantity not shown, Quantity = 1)

M - Model Example (M1) (If M Code not shown, then part is used on all Models)

### Expanded Model Nomenclature:

Example M1 - Model#1 M2 - Model#2 M3 - Model#3
---

Daikin Manufacturing Company, L.P. is not responsible for personal injury or property damage resulting from improper service. Review all service information before beginning repairs.

Warranty service must be performed by an authorized technician, using authorized factory parts. If service is required after the warranty expires, Daikin Manufacturing Company, L.P. also recommends contacting an authorized technician and using authorized factory parts.

Daikin Manufacturing Company, L.P. reserves the right to discontinue, or change at any time, specifications or designs without notice or without incurring obligations.

For assistance within the U.S.A. contact:

Homeowner Support  
Daikin North America, LLC  
19001 Kermier Road  
Waller, Texas 77484  
855-770-5678-Telephone  
713-863-2382-Facsimile

For assistance outside the U.S.A. contact:

International Division  
Daikin North America, LLC  
19001 Kermier Road  
Waller, Texas 77484  
713-861-2500-Telephone  
713-863-2382-Facsimile

# Functional Parts

## Part

## No: Description:

---

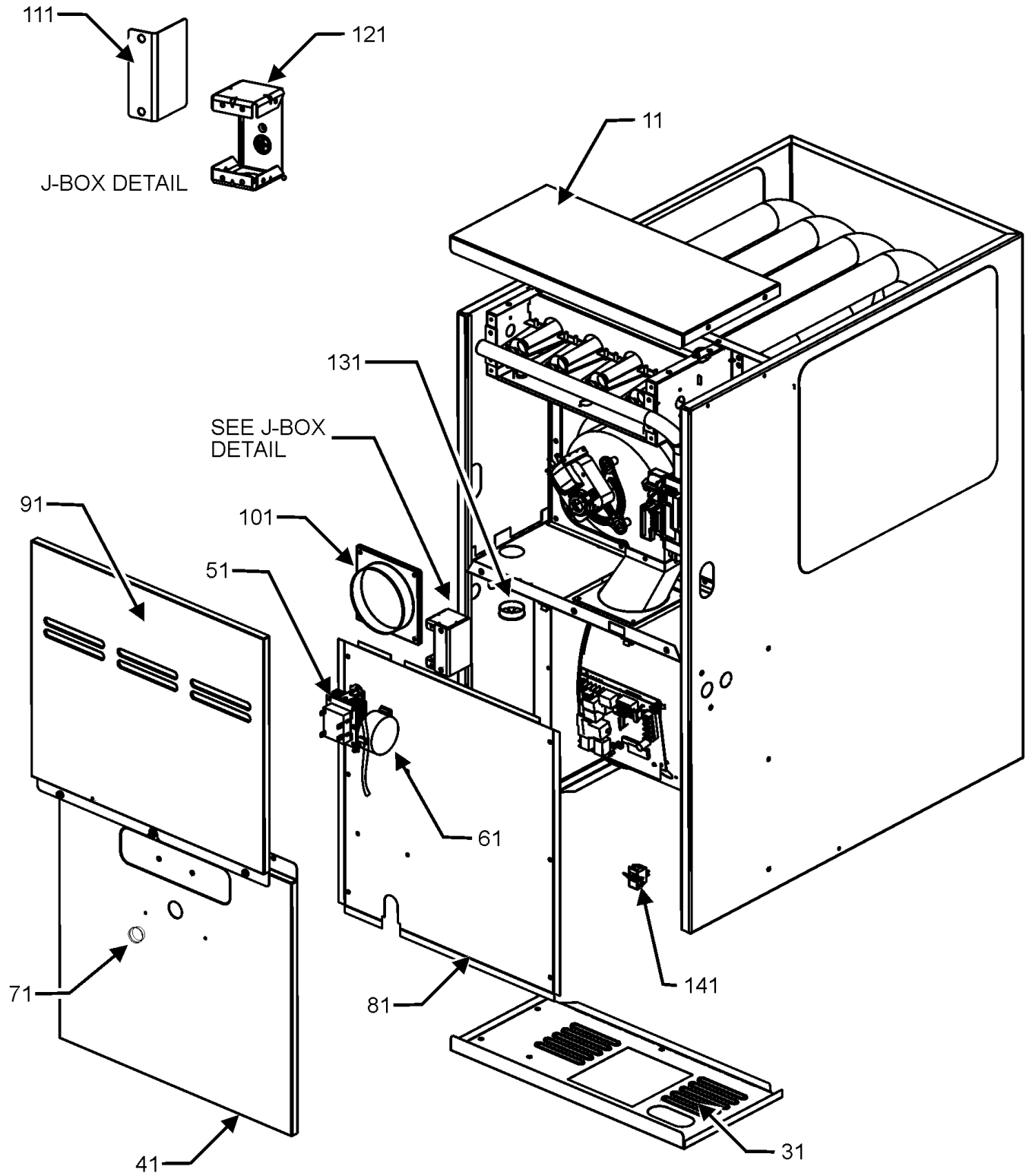
0130F00791	AIR PRESSURE SWITCH (M2, M4, M5, M6, M7, M8)
0130F00792	AIR PRESSURE SWITCH (M9, M10, M11,
0130F00010	FLAME SENSOR
0151M00027	GAS VALVE
10690402	INTERLOCK SWITCH
0130F00071	LIMIT SWITCH (M5, M6)
0130F00038	LIMIT, PRIMARY 120 LT BLUE
0130F00036	LIMIT, PRIMARY, 180, PINK (M1, M2, M3, M4, M7, M8)
0130F00067	LIMIT-RED (M9, M10, M11, M12)
10123529	MANUAL RESET R.O.S. LIMIT
0131F00165	MOTOR PROGRAMMED (M1, M2)
0131F00155	MOTOR PROGRAMMED (M11, M12)
0131F00156	MOTOR PROGRAMMED (M7, M8)
0131F00158	MOTOR PROGRAMMED (M9, M10)
0131F00166	MOTOR PROGRAMMED (M3, M4)
0131F00157	MOTOR PROGRAMMED (M5, M6)
0131M00781P	MOTOR, VENT 2-STAGE
PCBBF139	PCB, IGNITION CONTROL
0130F00008	SINI IGNITOR
0130M00140	TRANSFORMER 120V TO 24V, 40VA
0130M00140	TRANSFORMER,(120V TO 24V,40VA,

### Expanded Model Nomenclature

M1 - DC80VE0403AXAA
M2 - DC80VE0403AXAB
M3 - DC80VE0603AXAA
M4 - DC80VE0603AXAB
M5 - DC80VE0603BXAA
M6 - DC80VE0603BXAB
M7 - DC80VE0804BXAA
M8 - DC80VE0804BXAB
M9 - DC80VE0805CXAA
M10 - DC80VE0805CXAB
M11 - DC80VE1005CXAA
M12 - DC80VE1005CXAB

# CABINET ASSEMBLY

## WRAPPER ASSEMBLY



WRAPPER ASSEMBLY MAY DIFFER FROM WHAT IS SHOWN

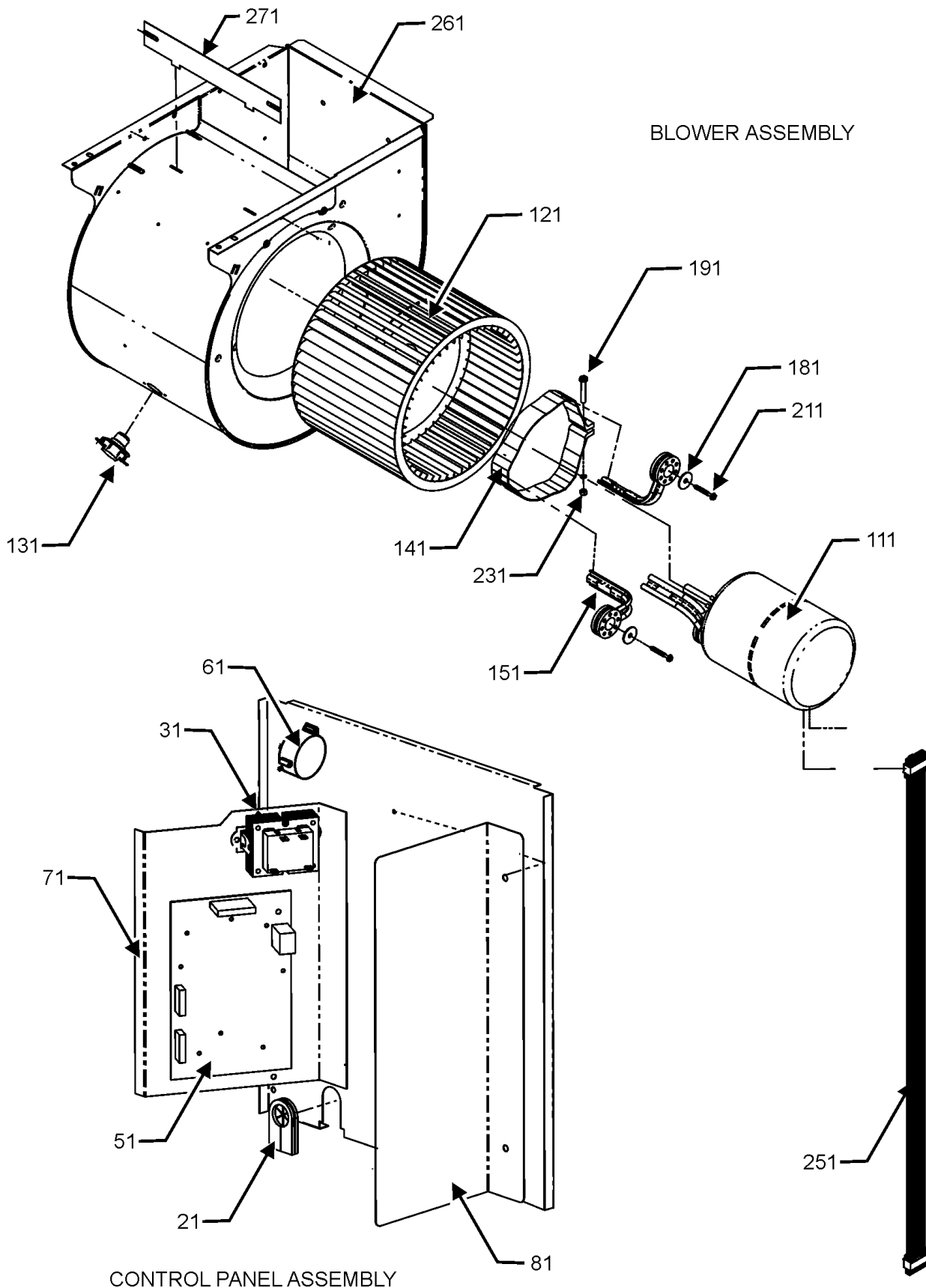
# CABINET ASSEMBLY

Ref. Part No:	Ref. Part No:	Description:	Description:
<b>Image 1:</b>			
11	0121F00183DG	PAINTED 14" FURNACE BOTTOM (M1, M2, M3, M4)	
11	0121F00190DG	PAINTED 17.5" FURNACE BOTTOM (M5, M6, M7, M8)	
11	0121F00191DG	PAINTED 21" FURNACE BOTTOM (M9, M10, M11, M12)	
31	0121F00141DG	TOP, FURNACE 14"-PAINTED (M1, M2, M3, M4)	
31	0121F00142DG	TOP, FURNACE 17.5"-PAINTED (M5, M6, M7, M8)	
31	0121F00143DG	TOP, FURNACE 21"-PAINTED (M9, M10, M11, M12)	
41	0121F00122NG	DOOR BLOWER, 14" PAINTED (M1, M2, M3, M4)	
41	0121F00123NG	DOOR BLOWER, 17.5" PAINTED (M5, M6, M7, M8)	
41	0121F00124NG	DOOR BLOWER, 21" PAINTED (M9, M10, M11, M12)	
51	0130M00140	TRANSFORMER 120V TO 24V, 40VA	
61	0130F00791	AIR PRESSURE SWITCH (M2, M4, M5, M6, M7, M8)	
61	0130F00792	AIR PRESSURE SWITCH (M9, M10, M11, M12)	
71	B1392139	VIEW PORT BUSHING-BLOWER DOOR	
81	0121F00741	DOOR, INNENR 14" (M1, M2, M3, M4)	
81	0121F00227	DOOR, INNER 17.5" (M5, M6, M7, M8)	
81	0121F00228	DOOR, INNER 21" (M9, M10, M11, M12)	
91	0121F00118NG	DOOR CTRL AC CESS, 14" PAINTED (M1, M2, M3, M4)	
91	0121F00119NG	DOOR CTRL AC CESS, 17.5" (M5, M6, M7, M8)	
91	0121F00120NG	DOOR CTRL AC CESS, 21" PAINTED (M9, M10, M11, M12)	
101	4023500	CHIMNEY TRANSITION TOP	
111	4015502	J-BOX COVER	
121	4014502	J-BOX	
131	B1392147	UNIVERSAL BUSHING WITH SLICE (M5, M6, M7, M8, M9, M10, M11, M12)	
141	10690402	INTERLOCK SWITCH	

## Expanded Model Nomenclature

M1 - DC80VE0403AXAA
M2 - DC80VE0403AXAB
M3 - DC80VE0603AXAA
M4 - DC80VE0603AXAB
M5 - DC80VE0603BXAA
M6 - DC80VE0603BXAB
M7 - DC80VE0804BXAA
M8 - DC80VE0804BXAB
M9 - DC80VE0805CXAA
M10 - DC80VE0805CXAB
M11 - DC80VE1005CXAA
M12 - DC80VE1005CXAB

# BLOWER & CONTROL PANEL ASSEMBLY



# BLOWER & CONTROL PANEL ASSEMBLY

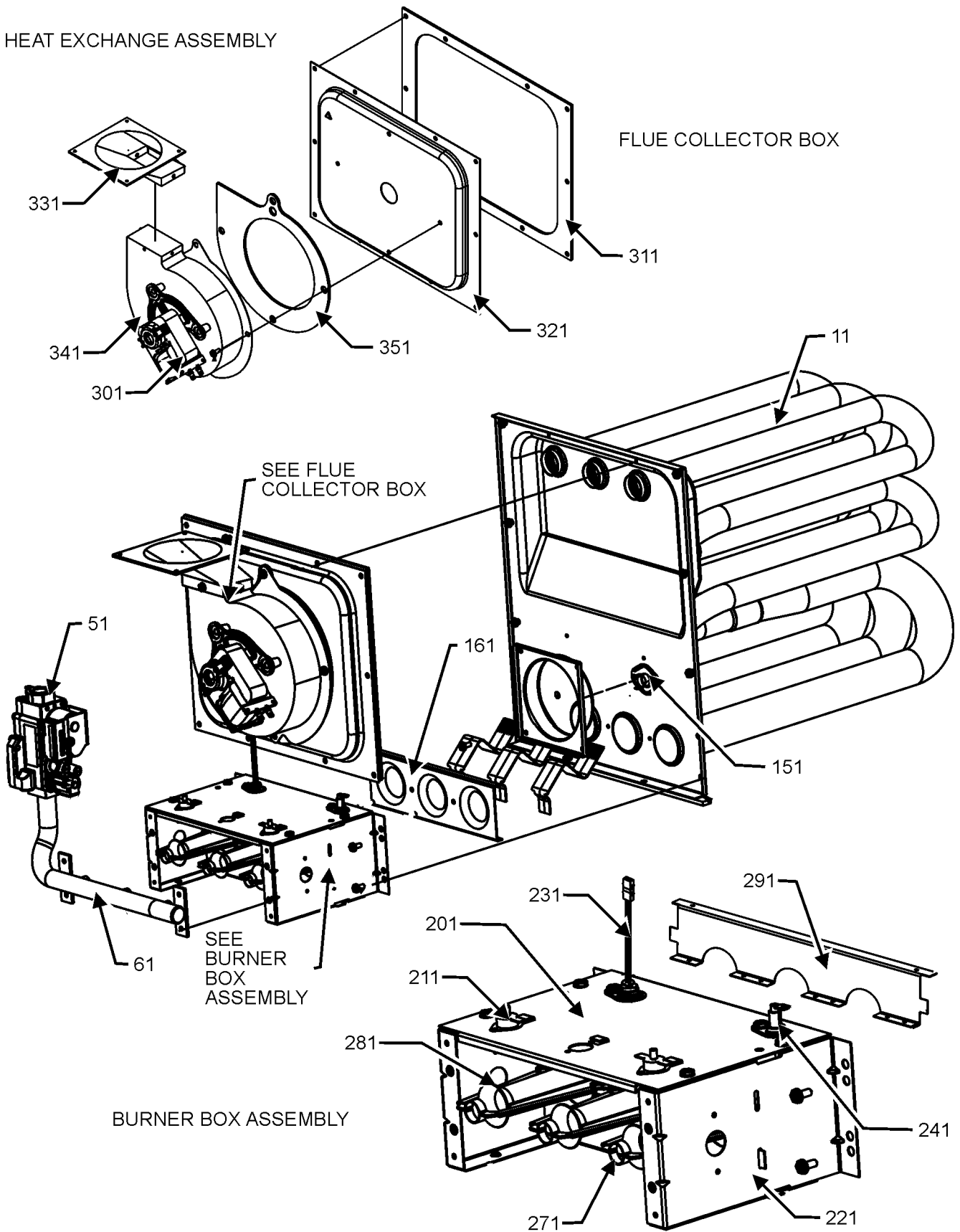
Ref. Part No:	Ref. Part No:	Description:	Description:
<b>Image 1:</b>			
21	20477501	GROMMET-HORSESHOE	
31	0130M00140	TRANSFORMER,(120V TO 24V,40VA,	
51	PCBBF139	PCB, IGNITION CONTROL	
61	0130F00791	AIR PRESSURE SWITCH (M2, M4, M5, M6, M7, M8)	
61	0130F00792	AIR PRESSURE SWITCH (M9, M10, M11, M12)	
71	0121F00745	D.F CONTROL PANEL MOUNT (M5, M6, M7, M8, M9, M10, M11, M12)	
71	0121F00742	PANEL, CONTROL (M1, M2, M3, M4)	
81	0121F00229	HEAT SHIELD	
111	0131F00155	MOTOR PROGRAMMED (M11, M12)	
111	0131F00156	MOTOR PROGRAMMED (M7, M8)	
111	0131F00157	MOTOR PROGRAMMED (M5, M6)	
111	0131F00158	MOTOR PROGRAMMED (M9, M10)	
111	0131F00165	MOTOR PROGRAMMED (M1, M2)	
111	0131F00166	MOTOR PROGRAMMED (M3, M4)	
121	0150M00042	WHEEL, BLOWER (10 X 10) (M9, M10, M11, M12)	
121	0150M00043	WHEEL, BLOWER (10 X 8) (M5, M6, M7, M8)	
121	0150M00061	WHEEL,BLOWER (M1, M2, M3, M4)	
131	0130F00038	LIMIT, PRIMARY 120 LT BLUE	
141	0121M00039	MOTOR MOUNT BAND (HEAVY DUTY)	
151	B1376863	MOTOR MOUNT ARM (HEAVY DUTY) (QTY 3)	
181	B1392918	WASHER, FLAT 1/4 ID X 1 OD (QTY 3)	
191	0163M00320	HEX HEAD ALL THREAD TAP BOLT	
211	M0250565	SCREW-TC 1.25" (QTY 3)	
211	M0250565	SCREW-TC 1.25" (QTY 3)	
231	B1393800	LOCKNUT, NYLON INSERT 1/4 20	
251	0159F00076	WIRING HARNESS	
261	2539307	BLWR SHL ASM 10X10 10X10 (M9, M10, M11, M12)	
261	2539305	BLWR SHL ASM 10X6 10X6 (M1, M2, M3, M4)	
261	2539306	BLWR SHL ASM 10X8 10X8 (M5, M6, M7, M8)	
271	764741	BLWR BLK-OFF ,10X10 (M9, M10, M11, M12)	
271	764739	BLWR BLK-OFF ,10X6 (M1, M2, M3, M4)	
271	764740	BLWR BLK-OFF ,10X8 (M5, M6, M7, M8)	

## Expanded Model Nomenclature

M1 - DC80VE0403AXAA
M2 - DC80VE0403AXAB
M3 - DC80VE0603AXAA
M4 - DC80VE0603AXAB
M5 - DC80VE0603BXAA
M6 - DC80VE0603BXAB
M7 - DC80VE0804BXAA
M8 - DC80VE0804BXAB
M9 - DC80VE0805CXAA
M10 - DC80VE0805CXAB
M11 - DC80VE1005CXAA
M12 - DC80VE1005CXAB

# HEAT EXCHANGE ASSEMBLY

HEAT EXCHANGE ASSEMBLY



# HEAT EXCHANGE ASSEMBLY

Ref. Part No: No:	Description:	Ref. Part No: No:	Description:
<b>Image 1:</b>		<b>Expanded Model Nomenclature</b>	
11	0270F03529	HEAT EXCHANGER ASSY (M1, M2)	M1 - DC80VE0403AXAA
11	0270F03530	HEAT EXCHANGER ASSY (M3, M4)	M2 - DC80VE0403AXAB
11	0270F03531	HEAT EXCHANGER ASSY (M5, M6)	M3 - DC80VE0603AXAA
11	0270F03532	HEAT EXCHANGER ASSY (M7, M8)	M4 - DC80VE0603AXAB
11	0270F03533	HEAT EXCHANGER ASSY (M9, M10)	M5 - DC80VE0603BXAA
11	0270F03534	HEAT EXCHANGER ASSY (M11, M12)	M6 - DC80VE0603BXAB
51	0151M00027	GAS VALVE	M7 - DC80VE0804BXAA
61	0120F00006	MANIFOLD (M1, M2)	M8 - DC80VE0804BXAB
61	0120F00007	MANIFOLD (M3, M4, M5, M6)	M9 - DC80VE0805CXAA
61	0120F00008	MANIFOLD (M7, M8, M9, M10)	M10 - DC80VE0805CXAB
61	0120F00009	MANIFOLD (M11, M12)	M11 - DC80VE1005CXAA
151	0130F00071	LIMIT SWITCH (M5, M6)	M12 - DC80VE1005CXAB
151	0130F00036	LIMIT, PRIMARY, 180, PINK (M1, M2, M3, M4, M7, M8)	
151	0130F00067	LIMIT-RED (M9, M10, M11, M12)	
161	4028000	ORIFICE SHIELD 2 CELL (M1, M2)	
161	4028001	ORIFICE SHIELD 3 CELL (M3, M4, M5, M6)	
161	4028002	ORIFICE SHIELD 4 CELL (M7, M8, M9, M10)	
161	4028003	ORIFICE SHIELD 5 CELL (M11, M12)	
201	0121F00162	BURNER BOX TOP 2 CELL (M1, M2)	
201	0121F00163	BURNER BOX TOP 3 CELL (M3, M4, M5, M6)	
201	0121F00164	BURNER BOX TOP 4 CELL (M7, M8, M9, M10)	
201	0121F00165	BURNER BOX TOP 5 CELL (M11, M12)	
211	10123529	MANUAL RESET R.O.S. LIMIT	
221	0121F00146	SIDE PLATE BURNER BOX (QTY 2)	
231	0130F00008	SINI IGNITOR	
241	0130F00010	FLAME SENSOR	
271	10716005	ORIFICE (QTY 2)	
281	B4022700	INSHOT BURNER ASSY 3" (QTY 2)	
291	0121F00167	BURNER BRACKET 2B (M1, M2)	
291	0121F00168	BURNER BRACKET 3B (M3, M4, M5, M6)	
291	0121F00169	BURNER BRACKET 4B (M7, M8, M9, M10)	
291	0121F00170	BURNER BRACKET 5B (M11, M12)	
301	DY6.186.070	VENT MOTOR CAPACITOR	
311	0154F00003	GASKET-14 INCH (M1, M2, M3, M4)	
311	0154F00004	GASKET-17.5 INCH (M5, M6, M7, M8)	
311	0154F00005	GASKET-21 INCH (M9, M10, M11, M12)	
321	0121F00327	14" COLLECTOR BOX 1.125" DIA (M1, M2)	
321	0121F00332	17.5" COLLECTOR BOX 1.375" DIA (M5, M6)	
321	0121F00331	17.5" COLLECTOR BOX 1.500" DIA (M7, M8)	
321	0121F00365	21" COLLECTOR BOX 1.437" DIA. (M9, M10)	
321	0121F00333	21" COLLECTOR BOX 1.75" DIA (M11, M12)	
321	0121F00198	COLLECTOR BOX, 14" 1.75 DIA (M3, M4)	
331	0128F00006	CHIMNEY TRANSITION BOTTOM	
341	0131M00781P	MOTOR, VENT 2-STAGE	
351	0154F00003	VENT MOTOR GASKET 14" (M1, M2, M3, M4)	
351	0154F00004	VENT MOTOR GASKET 17.5" (M5, M6, M7, M8)	
351	0154F00005	VENT MOTOR GASKET 21" (M9, M10, M11, M12)	
NS	0259F00283	DOWNFLOW MAIN WIRE HARNESS (M1, M3, M5, M7, M9, M11)	
NS	0259F00066	INDUCER HARNESS ASSY	
NS	0259F00281	WIRE HARNESS ASSY	
NS	0259F00293	WIRE HARNESS ASSY (M2, M4, M6, M8, M10,	