

DC80VC Two Stage Variable Speed Downflow Furnace

DC80VC0603BXAA
DC80VC0603BXAB
DC80VC0603BXAC
DC80VC0603BXAD
DC80VC0803BXAA
DC80VC0803BXAB
DC80VC0803BXAC
DC80VC0803BXAD
DC80VC0805CXAA
DC80VC0805CXAB
DC80VC0805CXAC
DC80VC0805CXAD
DC80VC1005CXAA
DC80VC1005CXAB
DC80VC1005CXAC
DC80VC1005CXAD



This manual is to be used by qualified technicians only.

This manual replaces RP-D2302B.

Important Information

Index

Functional Parts List	3
Illustration and Parts	4 - 9

Views shown are for parts illustrations only, not servicing procedures.

Text Codes:

AR - As Required

NA - Not Available

NS - Not Shown

00000000 - See Note

QTY - Quantity Example (QTY 3) (If Quantity not shown, Quantity = 1)

M - Model Example (M1) (If M Code not shown, then part is used on all Models)

Expanded Model Nomenclature:

Example
M1 - Model#1
M2 - Model#2
M3 - Model#3

Daikin Manufacturing Company, L.P. is not responsible for personal injury or property damage resulting from improper service. Review all service information before beginning repairs.

Warranty service must be performed by an authorized technician, using authorized factory parts. If service is required after the warranty expires, Daikin Manufacturing Company, L.P. also recommends contacting an authorized technician and using authorized factory parts.

Daikin Manufacturing Company, L.P. reserves the right to discontinue, or change at any time, specifications or designs without notice or without incurring obligations.

For assistance within the U.S.A. contact:

Homeowner Support
Daikin North America, LLC
19001 Kermier Road
Waller, Texas 77484
855-770-5678-Telephone
713-863-2382-Facsimile

For assistance outside the U.S.A. contact:

International Division
Daikin North America, LLC
19001 Kermier Road
Waller, Texas 77484
713-861-2500-Telephone
713-863-2382-Facsimile

Functional Parts

Part

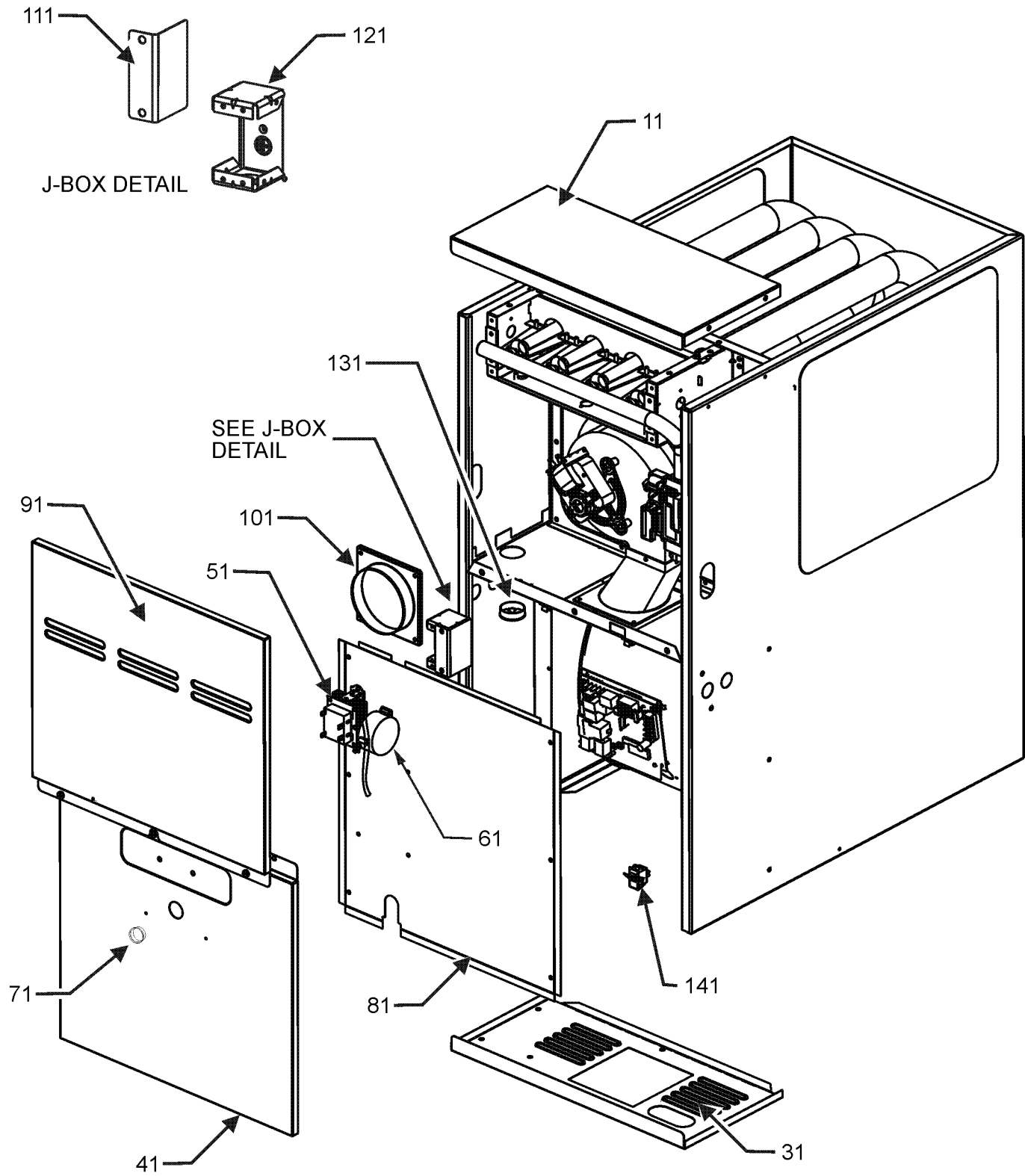
No: Description:

0130F00792	AIR PRESSURE SWITCH (M9, M10, M11, M12, M13, M14, M15, M16)
0130F00791	AIR PRESSURE SWITCH (M1, M2, M3, M4)
SHARED DATA	Available thru CoolCloud HVAC app.
0130F00571	DUAL STAGE PRESSURE SWITCH (M5)
0130F00010	FLAME SENSOR
0151M00027	GAS VALVE
0130M00141	INDUCTOR, 5.9 AMPS (M9, M10, M11, M12, M13, M14, M15, M16)
10690402	INTERLOCK SWITCH
0130F00071	LIMIT SWITCH (M1, M2, M3, M4)
0130F00038	LIMIT, PRIMARY 120 LT BLUE
0130F00036	LIMIT, PRIMARY, 180, PINK (M5, M6, M7, M8)
0130F00067	LIMIT-RED (M9, M10, M11, M12, M13, M14, M15, M16)
10123529	MANUAL RESET R.O.S. LIMIT (QTY 2)
0131M01002	MOTOR, 1/2 HP (M4, M8)
0131M00270	MOTOR, 1/2 HP, SERIAL ECM (M1, M2, M3, M5, M6, M7)
0131M01003	MOTOR, 3/4 HP (M12, M16)
0131M00271	MOTOR, 3/4 HP, SERIAL ECM (M9, M10, M11, M13, M14, M15)
0131M00781P	MOTOR, VENT 2-STAGE
PCBKF105	PCB CONTROL BOARD
0130F00008	SINI IGNITOR
0130M00140	TRANSFORMER 120V TO 24V, 40VA
0130M00140	TRANSFORMER,(120V TO 24V,40VA,

Expanded Model Nomenclature

M1 - DC80VC0603BXAA
M2 - DC80VC0603BXAB
M3 - DC80VC0603BXAC
M4 - DC80VC0603BXAD
M5 - DC80VC0803BXAA
M6 - DC80VC0803BXAB
M7 - DC80VC0803BXAC
M8 - DC80VC0803BXAD
M9 - DC80VC0805CXAA
M10 - DC80VC0805CXAB
M11 - DC80VC0805CXAC
M12 - DC80VC0805CXAD
M13 - DC80VC1005CXAA
M14 - DC80VC1005CXAB
M15 - DC80VC1005CXAC
M16 - DC80VC1005CXAD

CABINET ASSEMBLY



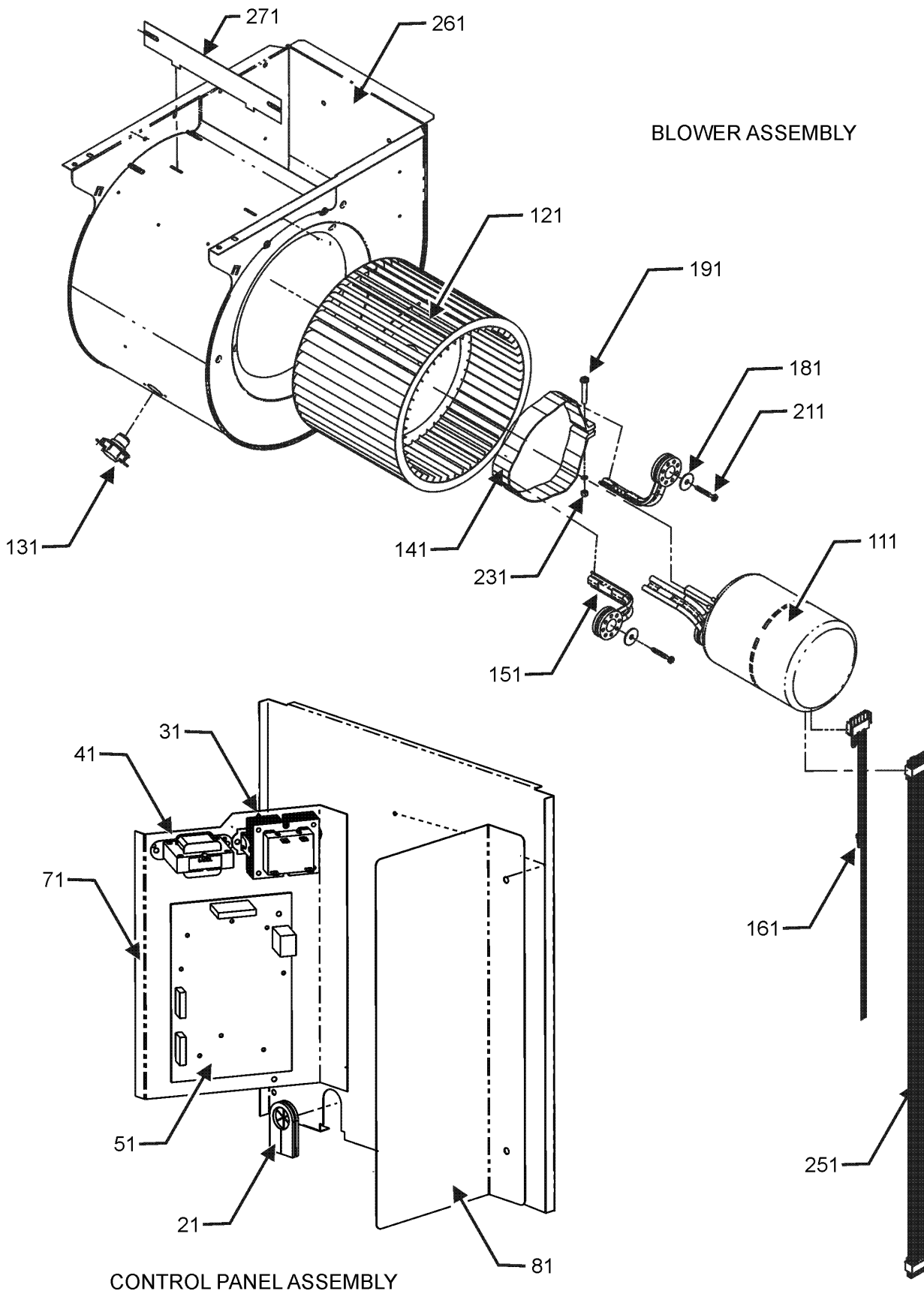
CABINET ASSEMBLY

Ref. Part No:	Ref. Part No:	Description:	Description:
Image 1:			
11	0121F00190DG	PAINTED 17.5" FURNACE BOTTOM (M1, M2, M3, M4, M5, M6, M7, M8)	
11	0121F00191DG	PAINTED 21" FURNACE BOTTOM (M9, M10, M11, M12, M13, M14, M15, M16)	
31	0121F00142DG	TOP, FURNACE 17.5"-PAINTED (M1, M2, M3, M4, M5, M6, M7, M8)	
31	0121F00143DG	TOP, FURNACE 21"-PAINTED (M9, M10, M11, M12, M13, M14, M15, M16)	
41	0121F00123NG	DOOR BLOWER, 17.5" PAINTED (M1, M2, M3, M4, M5, M6, M7, M8)	
41	0121F00124NG	DOOR BLOWER, 21" PAINTED (M9, M10, M11, M12, M13, M14, M15, M16)	
51	0130M00140	TRANSFORMER 120V TO 24V, 40VA	
61	0130F00791	AIR PRESSURE SWITCH (M1, M2, M3, M4)	
61	0130F00792	AIR PRESSURE SWITCH (M9, M10, M11, M12, M13, M14, M15, M16)	
61	0130F00571	DUAL STAGE PRESSURE SWITCH (M5)	
71	B1392139	VIEW PORT BUSHING-BLOWER DOOR	
81	0121F00227	DOOR, INNER 17.5" (M1, M2, M3, M4, M5, M6, M7, M8)	
81	0121F00228	DOOR, INNER 21" (M9, M10, M11, M12, M13, M14, M15, M16)	
91	0121F00119NG	DOOR CTRL ACCESS, 17.5" (M1, M2, M3, M4, M5, M6, M7, M8)	
91	0121F00120NG	DOOR CTRL ACCESS, 21" PAINTED (M9, M10, M11, M12, M13, M14, M15, M16)	
101	4023500	CHIMNEY TRANSITION TOP	
111	4015502	J-BOX COVER	
121	4014502	J-BOX	
131	B1392147	UNIVERSAL BUSHING WITH SLICE	
141	10690402	INTERLOCK SWITCH	

Expanded Model Nomenclature

- M1 - DC80V C0603BXAA
- M2 - DC80V C0603BXAB
- M3 - DC80V C0603BXAC
- M4 - DC80V C0603BXAD
- M5 - DC80V C0803BXAA
- M6 - DC80V C0803BXAB
- M7 - DC80V C0803BXAC
- M8 - DC80V C0803BXAD
- M9 - DC80V C0805CXAA
- M10 - DC80V C0805CXAB
- M11 - DC80V C0805CXAC
- M12 - DC80V C0805CXAD
- M13 - DC80V C1005CXAA
- M14 - DC80V C1005CXAB
- M15 - DC80V C1005CXAC
- M16 - DC80V C1005CXAD

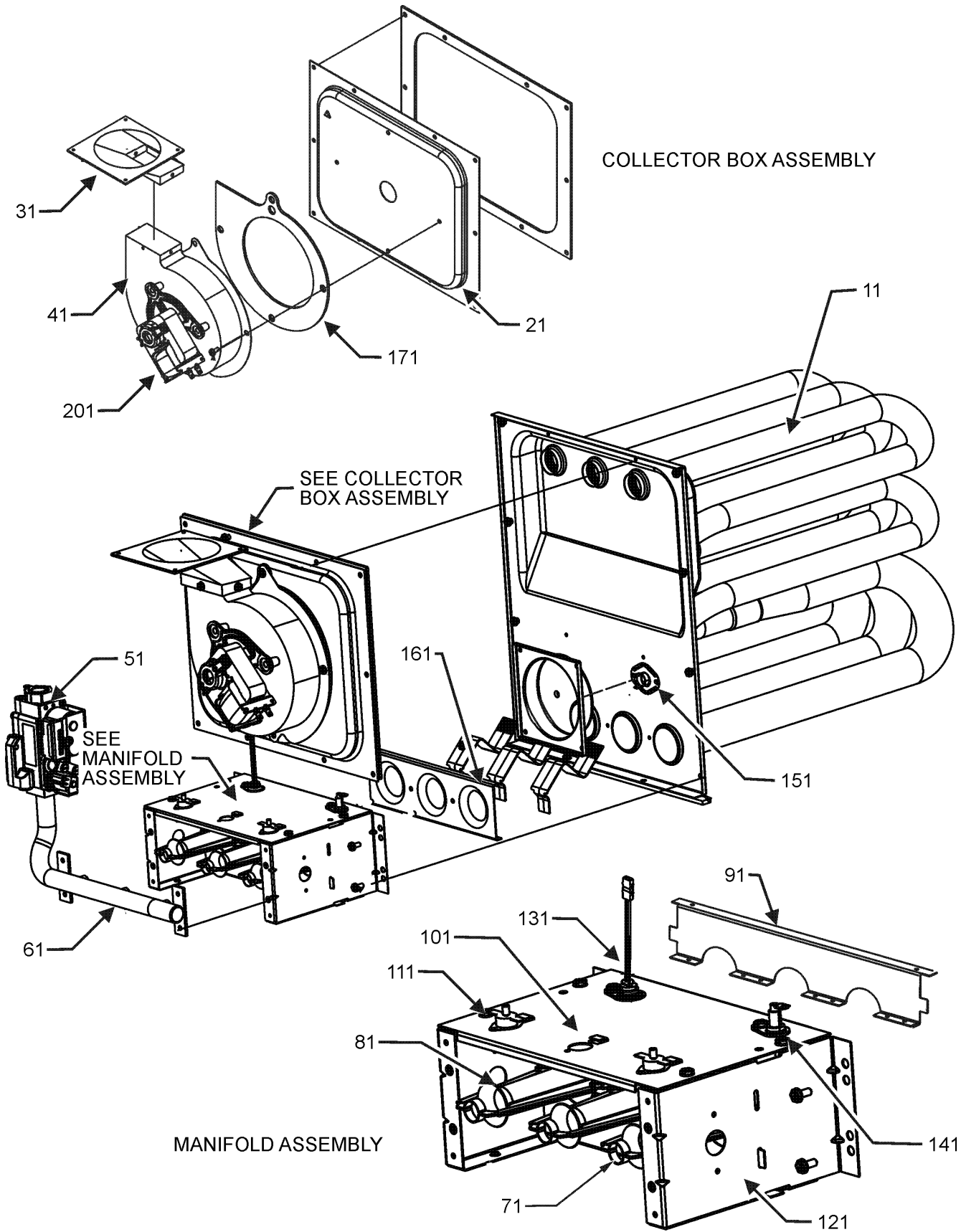
BLOWER & CONTROL PANEL ASSEMBLY



BLOWER & CONTROL PANEL ASSEMBLY

Ref. Part No:	Ref. Part No:	Description:	Description:
Image 1:		Expanded Model Nomenclature	
21	20477501	GROMMET-HORSESHOE	M1 - DC80VC0603BXAA
31	0130M00140	TRANSFORMER,(120V TO 24V,40VA,	M2 - DC80VC0603BXAB
41	0130M00141	INDUCTOR, 5.9 AMPS (M9, M10, M11, M12, M13, M14, M15, M16)	M3 - DC80VC0603BXAC
51	PCBKF105	PCB CONTROL BOARD	M4 - DC80VC0603BXAD
71	0121F00764	80% DF B & C CAB PCB MTG PANEL	M5 - DC80VC0803BXAA
81	0121F00229	HEAT SHIELD	M6 - DC80VC0803BXAB
111	0131M01002	MOTOR, 1/2 HP (M4, M8)	M7 - DC80VC0803BXAC
111	0131M00270	MOTOR, 1/2 HP, SERIAL ECM (M1, M2, M3, M5, M6, M7)	M8 - DC80VC0803BXAD
111	0131M01003	MOTOR, 3/4 HP (M12, M16)	M9 - DC80VC0805CXAA
111	0131M00271	MOTOR, 3/4 HP, SERIAL ECM (M9, M10, M11, M13, M14, M15)	M10 - DC80VC0805CXAB
121	0150M00042	WHEEL, BLOWER (10 X 10) (M9, M10, M11, M12, M13, M14, M15, M16)	M11 - DC80VC0805CXAC
121	0150M00043	WHEEL, BLOWER (10 X 8) (M1, M2, M3, M4, M5, M6, M7, M8)	M12 - DC80VC0805CXAD
131	0130F00038	LIMIT, PRIMARY 120 LT BLUE	M13 - DC80VC1005CXAA
141	0121M00038	MOTOR MOUNT BAND (M1, M2, M3, M4, M5, M6, M7, M8)	M14 - DC80VC1005CXAB
141	0121M00039	MOTOR MOUNT BAND (HEAVY DUTY) (M9, M10, M11, M12, M13, M14, M15, M16)	M15 - DC80VC1005CXAC
151	0163M00538	MOUNT ARM, MOTOR (M9, M10, M11, M12, M13, M14, M15, M16)	M16 - DC80VC1005CXAD
151	B1376853	MOUNT ARM, MOTOR, A36-42 (M1, M2, M3, M4, M5, M6, M7, M8)	
161	0259F00068	POWER HARNESS	
181	B1392918	WASHER, FLAT 1/4 ID X 1 OD (QTY 3)	
191	0163M00320	HEX HEAD ALL THREAD TAP BOLT	
211	M0250565	SCREW-TC 1.25" (QTY 3)	
211	M0250565	SCREW-TC 1.25" (QTY 3)	
231	B1393800	LOCKNUT, NYLON INSERT 1/4 20	
251	0259F00067	CONTROL HARNESS	
261	2539307	BLWR SHL ASM 10X10 10X10 (M9, M10, M11, M12, M13, M14, M15, M16)	
261	2539306	BLWR SHL ASM 10X8 10X8 (M1, M2, M3, M4, M5, M6, M7, M8)	
271	764741	BLWR BLK-OFF,10X10 (M9, M10, M11, M12, M13, M14, M15, M16)	
271	764740	BLWR BLK-OFF,10X8 (M1, M2, M3, M4, M5, M6, M7, M8)	
NS	SHARED DATA	Available thru CoolCloud HVAC app.	

HEAT EXCHANGE ASSEMBLY



HEAT EXCHANGE ASSEMBLY

Ref. Part No:	Ref. Part No:	Description:	Description:
Image 1:		Image 1:	
11	0270F03531	HEAT EXCHANGER ASSY (M1, M2, M3, M4)	NS 0259F00291 WIRE HARNESS ASSY (M3, M4, M7, M8, M11, M12, M15, M16)
11	0270F03532	HEAT EXCHANGER ASSY (M5, M6, M7, M8)	
11	0270F03533	HEAT EXCHANGER ASSY (M9, M10, M11, M12)	
11	0270F03534	HEAT EXCHANGER ASSY (M13, M14, M15, M16)	
21	0121F00332	17.5" COLLECTOR BOX 1.375" DIA (M1, M2, M3, M4)	
21	0121F00331	17.5" COLLECTOR BOX 1.500" DIA (M5, M6, M7, M8)	
21	0121F00365	21" COLLECTOR BOX 1.437" DIA. (M9, M10, M11, M12)	
21	0121F00333	21" COLLECTOR BOX 1.75" DIA (M13, M14, M15, M16)	
31	0128F00006	CHIMNEY TRANSITION BOTTOM	
41	0131M00781P	MOTOR, VENT 2-STAGE	
51	0151M00027	GAS VALVE	
61	0120F00007	MANIFOLD (M1, M2, M3, M4)	
61	0120F00008	MANIFOLD (M5, M6, M7, M8, M9, M10, M11, M12)	
61	0120F00009	MANIFOLD (M13, M14, M15, M16)	
71	10716005	ORIFICE (QTY 3)	
81	B4022700	INSHOT BURNER ASSY 3" (QTY 3)	
91	0121F00168	BURNER RACK, 3 CELL (M1, M2, M3, M4)	
91	0121F00169	BURNER RACK, 4 CELL (M5, M6, M7, M8, M9, M10, M11, M12)	
91	0121F00170	BURNER RACK, 5 CELL (M13, M14, M15, M16)	
101	0121F00759	TOP, BURNER BOX 3 CELL (M1, M2, M3, M4)	
101	0121F00760	TOP, BURNER BOX 4 CELL (M5, M6, M7, M8, M9, M10, M11, M12)	
101	0121F00761	TOP, BURNER BOX 5 CELL (M13, M14, M15, M16)	
111	10123529	MANUAL RESET R.O.S. LIMIT (QTY 2)	
121	0121F00146	BURNER BOX SIDE (QTY 2)	
131	0130F00008	SINI IGNITOR	
141	0130F00010	FLAME SENSOR	
151	0130F00071	LIMIT SWITCH (M1, M2, M3, M4)	
151	0130F00036	LIMIT, PRIMARY, 180, PINK (M5, M6, M7, M8)	
151	0130F00067	LIMIT-RED (M9, M10, M11, M12, M13, M14, M15, M16)	
161	4028001	ORIFICE PLATE, 3CELL (M1, M2, M3, M4)	
161	4028002	ORIFICE PLATE, 4CELL (M5, M6, M7, M8, M9, M10, M11, M12)	
161	4028003	ORIFICE PLATE, 5CELL (M13, M14, M15, M16)	
171	0154F00004	GASKET-17.5 INCH (M1, M2, M3, M4, M5, M6, M7, M8)	
171	0154F00005	GASKET-21 INCH (M9, M10, M11, M12, M13, M14, M15, M16)	
201	DY6.186.070	VENT MOTOR CAPACITOR	
NS	0259F00066	INDUCER HARNESS ASSY	
NS	0259F00065	WIRE HARNESS ASSY (M1, M2, M5, M6, M9, M10, M13, M14)	
NS	0259F00080	WIRE HARNESS ASSY (M1, M5, M9, M13)	
NS	0259F00080	WIRE HARNESS ASSY (M1, M5, M9, M13)	
NS	0259F00272	WIRE HARNESS ASSY (M2, M6, M10, M14)	
NS	0259F00289	WIRE HARNESS ASSY (M3, M4, M7, M8, M11, M12, M15, M16)	

Expanded Model Nomenclature

M1 - DC80VC0603BXAA
M2 - DC80VC0603BXAB
M3 - DC80VC0603BXAC
M4 - DC80VC0603BXAD
M5 - DC80VC0803BXAA
M6 - DC80VC0803BXAB
M7 - DC80VC0803BXAC
M8 - DC80VC0803BXAD
M9 - DC80VC0805CXAA
M10 - DC80VC0805CXAB
M11 - DC80VC0805CXAC
M12 - DC80VC0805CXAD
M13 - DC80VC1005CXAA
M14 - DC80VC1005CXAB
M15 - DC80VC1005CXAC
M16 - DC80VC1005CXAD