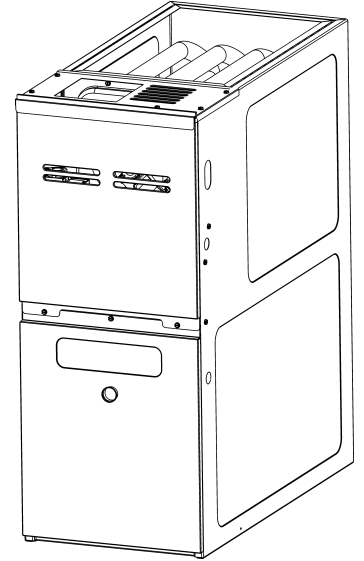


---

**DC80SN 80% FER Up Flow Furnace**

DC80SN0403AXAA  
DC80SN0603AXAA  
DC80SN0804BXAA  
DC80SN1005CXAA



This manual is to be used by qualified technicians only.

# Important Information

---

## Index

Functional Parts List .....	3
Illustration and Parts .....	4 - 9

*Views shown are for parts illustrations only, not servicing procedures.*

### Text Codes:

AR - As Required

NA - Not Available

NS - Not Shown

00000000 - See Note

QTY - Quantity Example (QTY 3) (If Quantity not shown, Quantity = 1)

M - Model Example (M1) (If M Code not shown, then part is used on all Models)

### Expanded Model Nomenclature:

Example
M1 - Model#1
M2 - Model#2
M3 - Model#3

Daikin Manufacturing Company, L.P. is not responsible for personal injury or property damage resulting from improper service. Review all service information before beginning repairs.

Warranty service must be performed by an authorized technician, using authorized factory parts. If service is required after the warranty expires, Daikin Manufacturing Company, L.P. also recommends contacting an authorized technician and using authorized factory parts.

Daikin Manufacturing Company, L.P. reserves the right to discontinue, or change at any time, specifications or designs without notice or without incurring obligations.

For assistance within the U.S.A. contact:

Homeowner Support  
Daikin North America, LLC  
19001 Kermier Road  
Waller, Texas 77484  
855-770-5678-Telephone  
713-863-2382-Facsimile

For assistance outside the U.S.A. contact:

International Division  
Daikin North America, LLC  
19001 Kermier Road  
Waller, Texas 77484  
713-861-2500-Telephone  
713-863-2382-Facsimile

# Functional Parts

## Part

## No: Description:

---

PCBBF163	CIRCUIT BOARD FURNACE
0130F00010	FLAME SENSOR
0151M00037	GAS VALVE
10690402	INTERLOCK SWITCH
20162901	LIMIT, PRIMARY (M4)
0130F00038	LIMIT, PRIMARY 120 LT BLUE
10123529	MANUAL RESET R.O.S. LIMIT
0131F00245	MOTOR PROGRAMMED (M4)
0131F00243	MOTOR PROGRAMMED (M3)
0131F00242	MOTOR PROGRAMMED (M2)
0131F00241	MOTOR PROGRAMMED (M1)
0131M00002P	MOTOR, VENT 80+
0130F00036	PRIMARY LIMIT - PINK 180° (M1, M2, M3)
0130F00008	SINI IGNITOR
0130F00507	SWITCH, PRESSURE (M4)
0130F00504	SWITCH, PRESSURE (M1, M2, M3)
0130M00139	TRANSFORMER, 40VA,120VTO24V

### SPECIAL PARTS

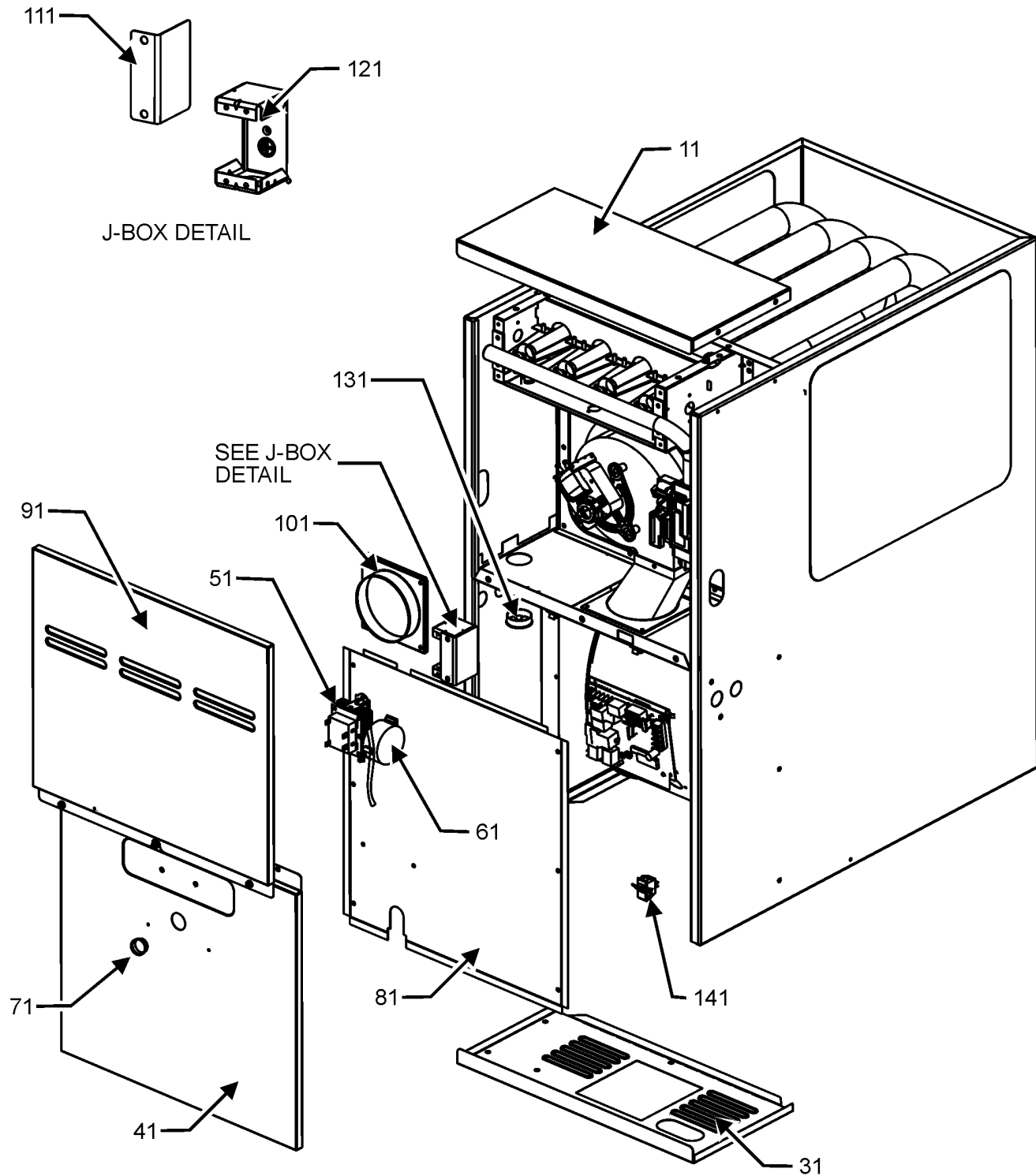
HID-2005	HOMEOWNERS INSTRUCTIONS
IOD-2030	INSTALLATION INSTRUCTIONS
PWDFURNSNTA	WARRANTY, PRODUCT

### Expanded Model Nomenclature

M1 - DC80SN0403AXAA
M2 - DC80SN0603AXAA
M3 - DC80SN0804BXAA
M4 - DC80SN1005CXAA

# Cabinet Assembly

## CABINET ASSEMBLY



NOTE: CABINET ASSEMBLY MAY DIFFER FROM WHAT IS SHOWN

# Cabinet Assembly

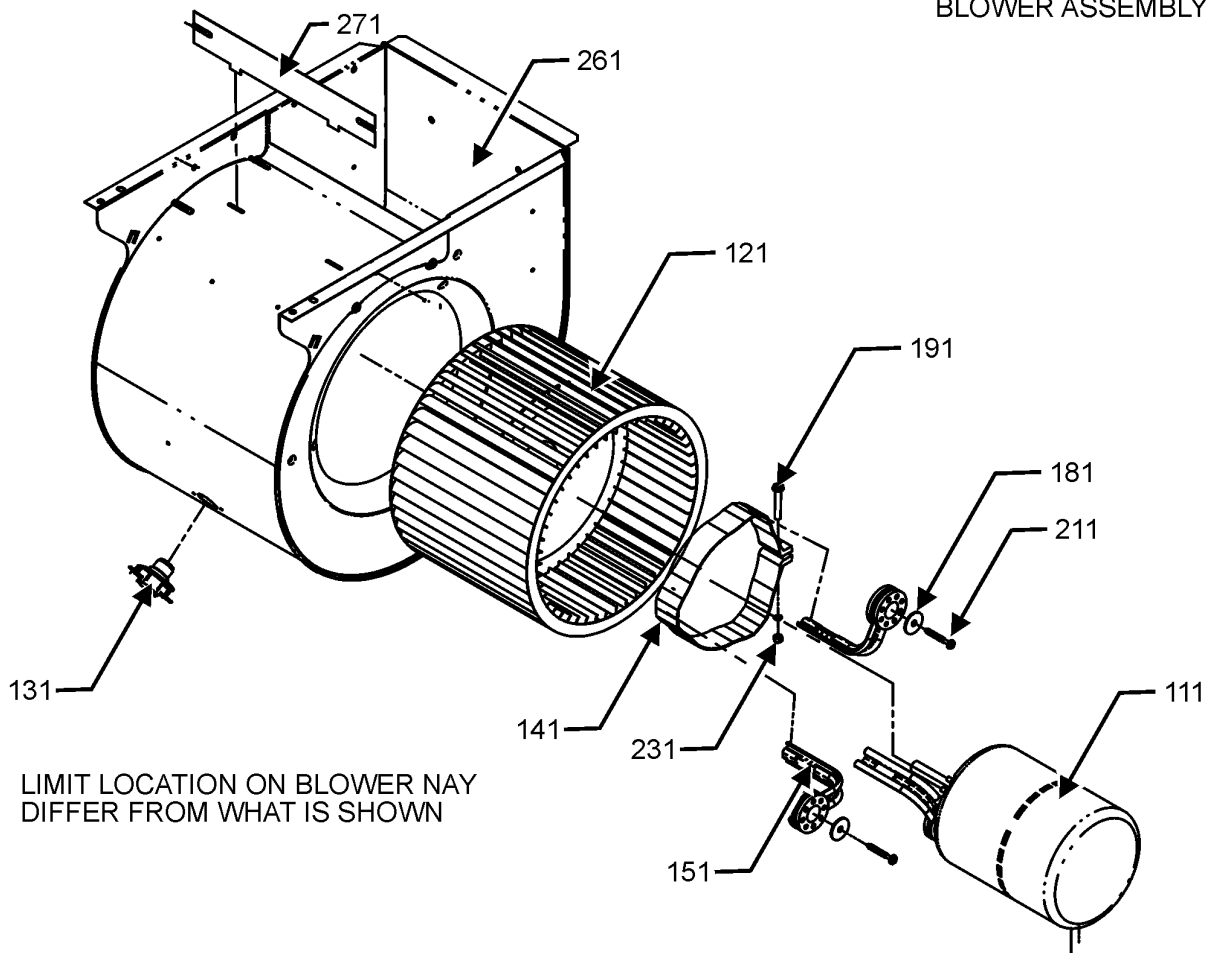
Ref. Part No:	Ref. Part No:	Description:	Description:
<b>Image 1:</b>			
11	0121F00183DG	PAINTED 14" FURNACE BOTTOM (M1, M2)	
11	0121F00190DG	PAINTED 17.5" FURNACE BOTTOM (M3)	
11	0121F00191DG	PAINTED 21" FURNACE BOTTOM (M4)	
21	20477501	GROMMET-HORSESHOE	
31	0121F00141DG	TOP, FURNACE 14"-PAINTED (M1, M2)	
31	0121F00142DG	TOP, FURNACE 17.5"-PAINTED (M3)	
31	0121F00143DG	TOP, FURNACE 21"-PAINTED (M4)	
41	0121F00122NG	DOOR BLOWER, 14" PAINTED (M1, M2)	
41	0121F00123NG	DOOR BLOWER, 17.5" PAINTED (M3)	
41	0121F00124NG	DOOR BLOWER, 21" PAINTED (M4)	
51	0130M00139	TRANSFORMER, 40VA,120VTO24V	
61	0130F00504	SWITCH, PRESSURE (M1, M2, M3)	
61	0130F00507	SWITCH, PRESSURE (M4)	
71	B1392139	VIEW PORT BUSHING CLEAR	
81	0121F00185	DOOR, INNER 14" (M1, M2)	
81	0121F00192	DOOR, INNER 17.5" (M3)	
81	0121F00193	DOOR, INNER 21" (M4)	
91	0121F00118NG	DOOR CTRL ACCESS, 14" PAINTED (M1, M2)	
91	0121F00119NG	DOOR CTRL ACCESS, 17.5" (M3)	
91	0121F00120NG	DOOR CTRL ACCESS, 21" PAINTED (M4)	
101	4023500	CHIMNEY TRANSITION TOP	
111	4015502	J-BOX COVER	
121	4014502	J-BOX	
131	0163F00001	UNIVERSAL BUSHING WITH SLICE	
141	10690402	INTERLOCK SWITCH	
NS	HID-2005	HOMEOWNERS INSTRUCTIONS	
NS	IOD-2030	INSTALLATION INSTRUCTIONS	
NS	PWDFURNSNTA	WARRANTY, PRODUCT	

## Expanded Model Nomenclature

- |                     |
|---------------------|
| M1 - DC80SN0403AXAA |
| M2 - DC80SN0603AXAA |
| M3 - DC80SN0804BXAA |
| M4 - DC80SN1005CXAA |

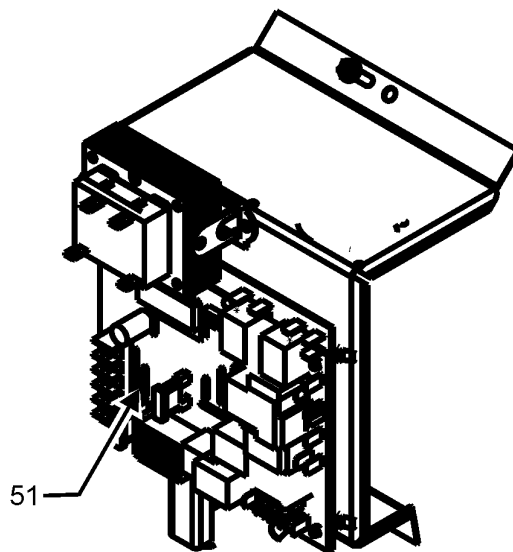
# Blower and Circuit Board Assembly

BLOWER ASSEMBLY



LIMIT LOCATION ON BLOWER MAY DIFFER FROM WHAT IS SHOWN

BOARD ASSEMBLY ON BLOWER



NOTE: BLOWER AND BOARD ASSEMBLY MAY DIFFER FROM WHAT IS SHOWN

# Blower and Circuit Board Assembly

Ref. Part No:	Ref. Part No:	Description:	Description:
---------------	---------------	--------------	--------------

**Image 1:**

51	PCBBF163	CIRCUIT BOARD FURNACE
111	0131F00241	MOTOR PROGRAMMED (M1)
111	0131F00242	MOTOR PROGRAMMED (M2)
111	0131F00243	MOTOR PROGRAMMED (M3)
111	0131F00245	MOTOR PROGRAMMED (M4)
121	B1368047	BLOWER WHEEL (10 X 10) (M4)
121	B1368034	BLOWER WHEEL (10 X 6) (M1, M2)
121	0150M00043	WHEEL, BLOWER (10 X 8) (M3)
131	0130F00038	LIMIT, PRIMARY 120 LT BLUE
141	0121M00039	MOUNT BAND, MOTOR (HEAVY DUTY)
141	0121M00039	MOUNT BAND, MOTOR (HEAVY DUTY)
151	0163M00538	MOUNT ARM, MOTOR (QTY 3)
181	B1392918	WASHER, FLAT 1/4 ID X 1 OD (QTY 3)
191	0163M00320	HEX HEAD ALL THREAD TAP BOLT
211	M0250565	SCREW-TC 1.25" (QTY 3)
211	M0250565	SCREW-TC 1.25" (QTY 3)
231	B1393800	LOCKNUT, NYLON INSERT 1/4 20
261	2539307	BLWR SHL ASM 10X10 10X10 (M4)
261	2539305	BLWR SHL ASM 10X6 10X6 (M1, M2)
261	2539306	BLWR SHL ASM 10X8 10X8 (M3)
271	764741	BLWR BLK-OFF, 10X10 (M4)
271	764739	BLWR BLK-OFF, 10X6 (M1, M2)
271	764740	BLWR BLK-OFF, 10X8 (M3)
NS	0159F00119	CTM, MOTOR HARNESS

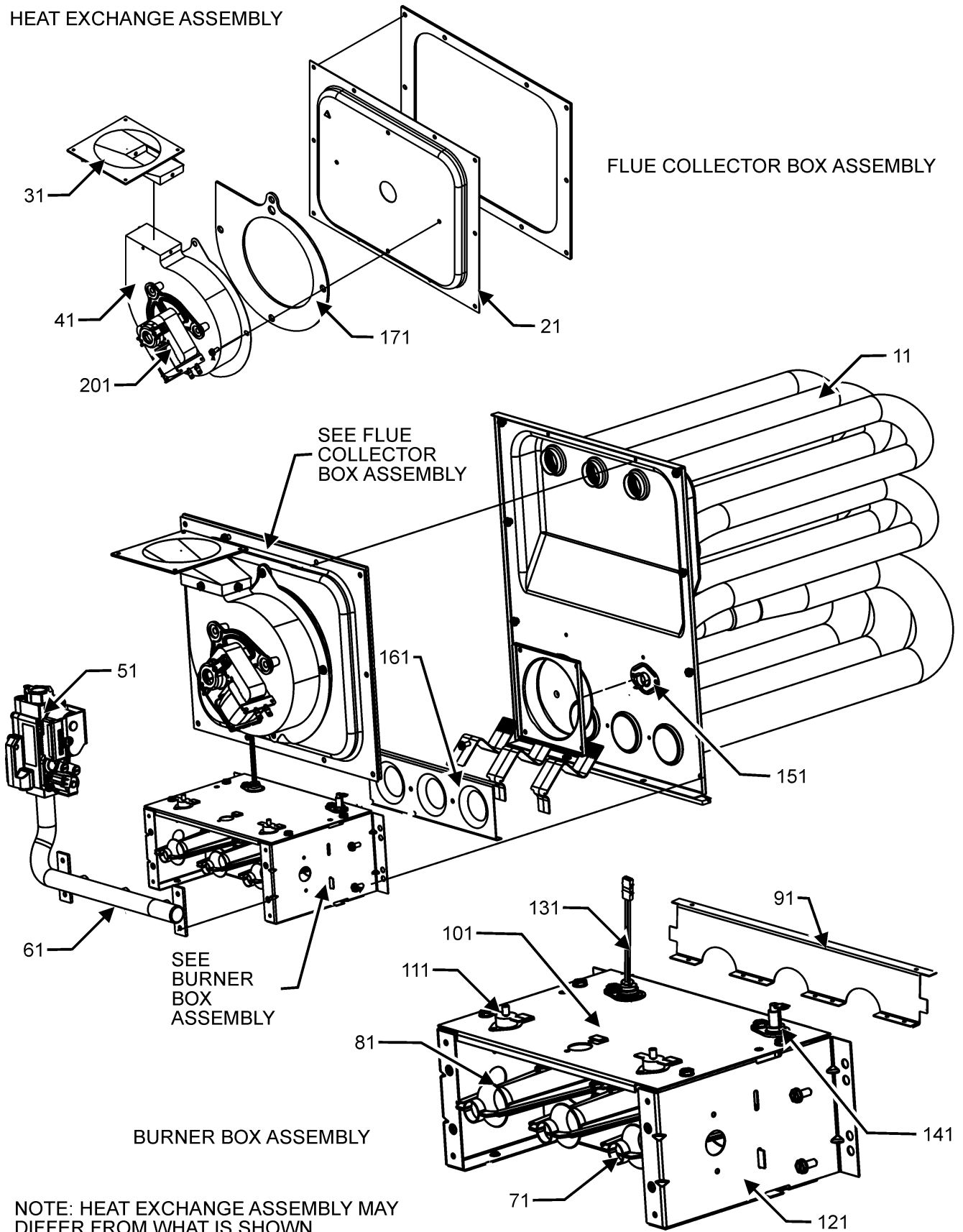
**Expanded Model Nomenclature**

M1 - DC80SN0403AXAA
M2 - DC80SN0603AXAA
M3 - DC80SN0804BXAA
M4 - DC80SN1005CXAA

# Heat Exchange Assembly

HEAT EXCHANGE ASSEMBLY

FLUE COLLECTOR BOX ASSEMBLY



NOTE: HEAT EXCHANGE ASSEMBLY MAY DIFFER FROM WHAT IS SHOWN

# Heat Exchange Assembly

Ref. Part No:	Ref. Part No:	Description:	Description:
<b>Image 1:</b>			
11	0270F03529	HEAT EXCHANGER ASSY (M1)	
11	0270F03530	HEAT EXCHANGER ASSY (M2)	
11	0270F03532	HEAT EXCHANGER ASSY (M3)	
11	0270F03534	HEAT EXCHANGER ASSY (M4)	
21	0121F00327	14" COLLECTOR BOX 1.125" DIA (M1)	
21	0121F00364	14" FLUE COLLECTOR BOX 1.5"DIA (M2)	
21	0121F00334	21" COLLECTOR BOX 1.625" DIA (M4)	
21	0121F00128	COLLECTOR BOX 17.5" 1.75 DIA (M3)	
31	0128F00006	TRANSITION, BOTTOM	
41	0131M00002P	MOTOR, VENT 80+	
51	0151M00037	GAS VALVE	
61	0120F00006	MANIFOLD (M1)	
61	0120F00007	MANIFOLD (M2)	
61	0120F00008	MANIFOLD (M3)	
61	0120F00009	MANIFOLD (M4)	
71	10716005	ORIFICE (QTY 2)	
81	B4022700	INSHOT BURNER ASSY 3" (QTY 2)	
91	0121F00167	BURNER RACK, 2 CELL (M1)	
91	0121F00168	BURNER RACK, 3 CELL (M2)	
91	0121F00169	BURNER RACK, 4 CELL (M3)	
91	0121F00170	BURNER RACK, 5 CELL (M4)	
101	0121F00162	TOP, BURNER BOX 2 CELL (M1)	
101	0121F00759	TOP, BURNER BOX 3 CELL (M2)	
101	0121F00760	TOP, BURNER BOX 4 CELL (M3)	
101	0121F00761	TOP, BURNER BOX 5 CELL (M4)	
111	10123529	MANUAL RESET R.O.S. LIMIT	
121	0121F00146	BURNER BOX SIDE (QTY 2)	
131	0130F00008	SINI IGNITOR	
141	0130F00010	FLAME SENSOR	
151	20162901	LIMIT, PRIMARY (M4)	
151	0130F00036	PRIMARY LIMIT - PINK 180° (M1, M2, M3)	
161	4028000	ORIFICE PLATE, 2CELL (M1)	
161	4028001	ORIFICE PLATE, 3CELL (M2)	
161	4028002	ORIFICE PLATE, 4 CELL (M3)	
161	4028003	ORIFICE PLATE, 5CELL (M4)	
171	0154F00003	GASKET-14 INCH (M1, M2)	
171	0154F00004	GASKET-17.5 INCH (M3)	
171	0154F00005	GASKET-21 INCH (M4)	
201	DY6.186.070	VENT MOTOR CAPACITOR	
NS	0159F00136	WIRE HARNESS (M1)	
NS	0159F00137	WIRE HARNESS (M2, M3, M4)	
NS	0259F00302	WIRE HARNESS ASSY IGNITOR	
NS	0259F00307	WIRE KIT ASSY, DF	

## Expanded Model Nomenclature

M1 - DC80SN0403AXAA
M2 - DC80SN0603AXAA
M3 - DC80SN0804BXAA
M4 - DC80SN1005CXAA