

## DC80SE High Efficient Furnace

DC80SE0403AXAA  
DC80SE0603AXAA  
DC80SE0804BXAA  
DC80SE1005CXAA



This manual is to be used by qualified technicians only.

# Important Information

---

## Index

Functional Parts List .....	3
Illustration and Parts .....	4 - 9

*Views shown are for parts illustrations only, not servicing procedures*

### Text Codes:

AR - As Required

NA - Not Available

NS - Not Shown

00000000 - See Note

QTY - Quantity Example (QTY 3) (If Quantity not shown, Quantity = 1)

M - Model Example (M1) (If M Code not shown, then part is used on all Models)

### Expanded Model Nomenclature:

Example M1 - Model#1 M2 - Model#2 M3 - Model#3
---------------------------------------------------------

Daikin Manufacturing Company, L.P. is not responsible for personal injury or property damage resulting from improper service. Review all service information before beginning repairs.

Warranty service must be performed by an authorized technician, using authorized factory parts. If service is required after the warranty expires, Daikin Manufacturing Company, L.P. also recommends contacting an authorized technician and using authorized factory parts.

Daikin Manufacturing Company, L.P. reserves the right to discontinue, or change at any time, specifications or designs without notice or without incurring obligations.

For assistance within the U.S.A. contact:

Homeowner Support  
Daikin North America, LLC  
19001 Kermier Road  
Waller, Texas 77484  
855-770-5678-Telephone  
713-863-2382-Facsimile

For assistance outside the U.S.A. contact:

International Division  
Daikin North America, LLC  
19001 Kermier Road  
Waller, Texas 77484  
713-861-2500-Telephone  
713-863-2382-Facsimile

# Functional Parts

## Part

## No:

## Description:

---

PCBBF145	CIRCUIT BOARD
0130F00010	FLAME SENSOR
0151M00037	GAS VALVE
10690402	INTERLOCK SWITCH
0130F00038	LIMIT, PRIMARY 120 LT BLUE
0130F00036	LIMIT, PRIMARY, 180, PINK (M1, M2, M3)
20162901	LIMIT-RED (M4)
10123529	MANUAL RESET R.O.S. LIMIT

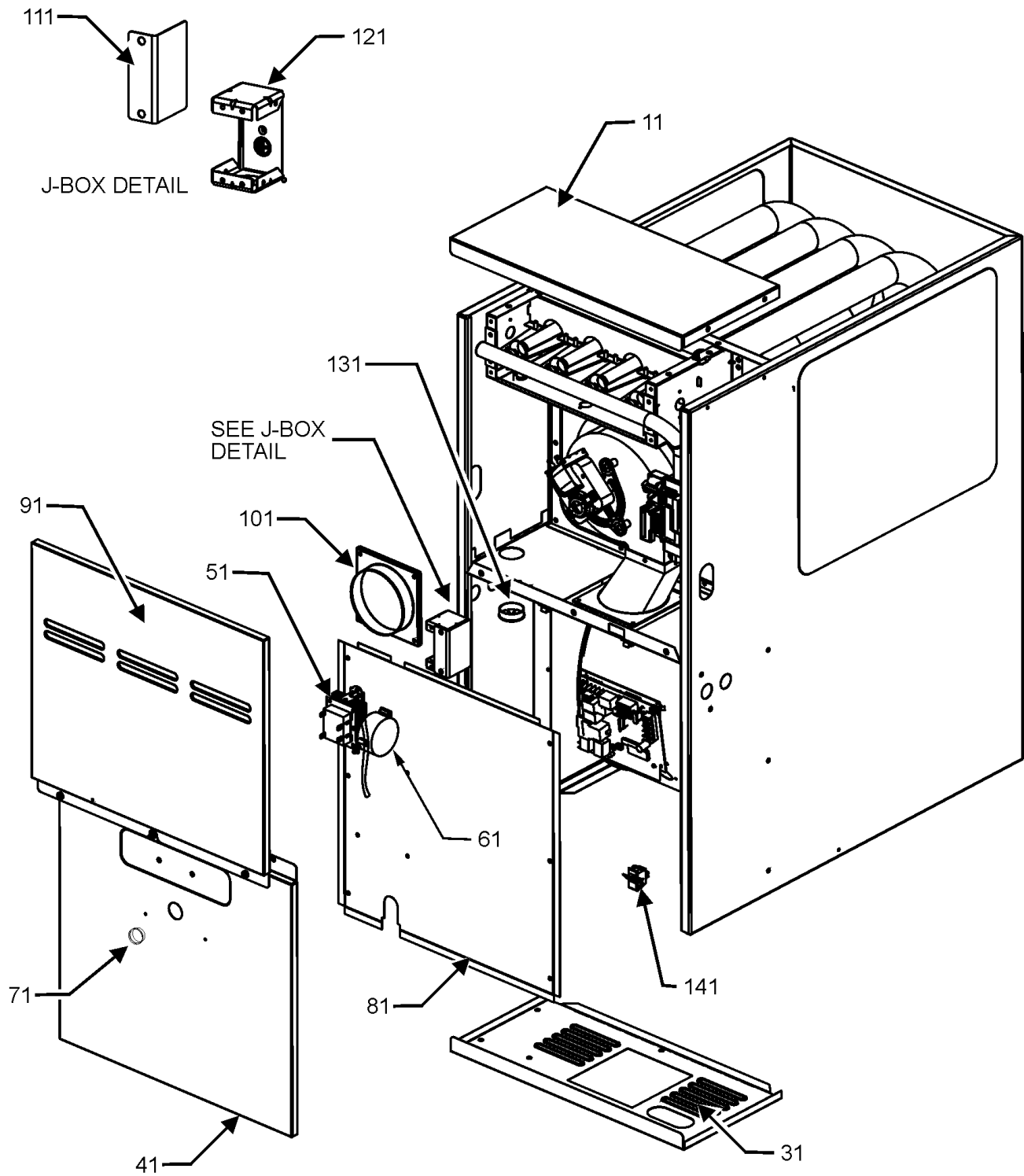
0131F00116	MOTOR, PROGRAM-X13 (M2)
0131F00117	MOTOR, PROGRAM-X13 (M3)
0131F00119	MOTOR, PROGRAM-X13 (M4)
0131F00115	MOTOR, PROGRAM-X13 (M1)
0131M00002P	MOTOR, VENT 80+
0130F00008	SINI IGNITOR
0130F00507	SWITCH, PRESSURE (M4)
0130F00504	SWITCH, PRESSURE (M1, M2, M3)
0130M00139	TRANSFORMER, 40VA, 120VTO24V

### Expanded Model Nomenclature

M1 - DC80SE0403AXAA
M2 - DC80SE0603AXAA
M3 - DC80SE0804BXAA
M4 - DC80SE1005CXAA

# CABINET ASSEMBLY

CABINET ASSEMBLY



CABINET ASSEMBLY MAY DIFFER FROM WHAT IS SHOWN

# CABINET ASSEMBLY

Ref. Part No: No:	Description:	Ref. Part No: No:	Description:
-------------------	--------------	-------------------	--------------

**Image 1:**

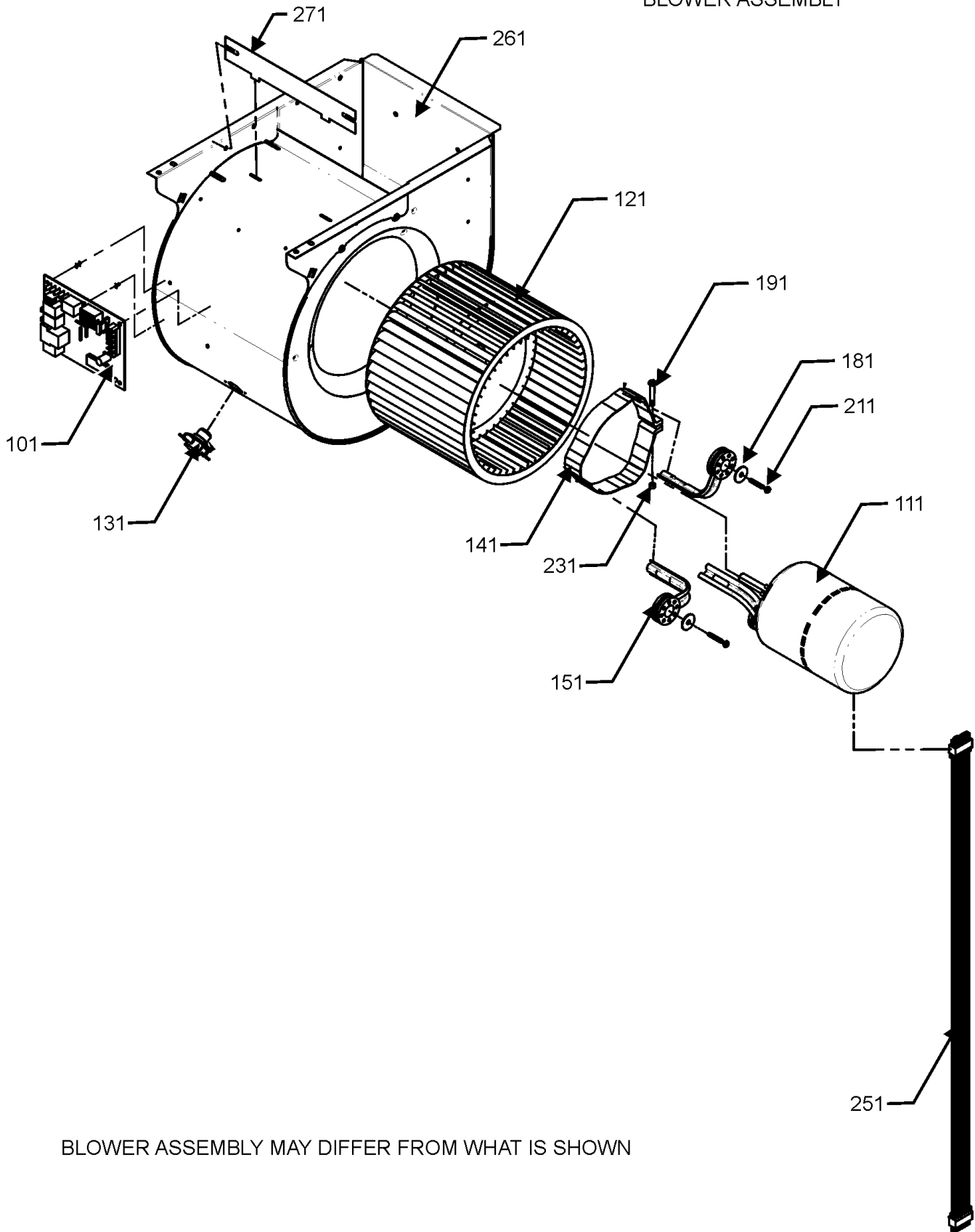
11	0121F00183DG	PAINTED 14" FURNACE BOTTOM (M1, M2)
11	0121F00190DG	PAINTED 17.5" FURNACE BOTTOM (M3)
11	0121F00191DG	PAINTED 21" FURNACE BOTTOM (M4)
31	0121F00141DG	TOP, FURNACE 14"-PAINTED (M1, M2)
31	0121F00142DG	TOP, FURNACE 17.5"-PAINTED (M3)
31	0121F00143DG	TOP, FURNACE 21"-PAINTED (M4)
41	0121F00122NG	DOOR BLOWER, 14" PAINTED (M1, M2)
41	0121F00123NG	DOOR BLOWER, 17.5" PAINTED (M3)
41	0121F00124NG	DOOR BLOWER, 21" PAINTED (M4)
51	0130M00139	TRANSFORMER, 40VA,120VTO24V
61	0130F00504	SWITCH, PRESSURE (M1, M2, M3)
61	0130F00507	SWITCH, PRESSURE (M4)
71	B1392139	VIEW PORT BUSHING-BLOWER DOOR
81	0121F00185	DOOR, INNER 14" (M1, M2)
81	0121F00192	DOOR, INNER 17.5" (M3)
81	0121F00193	DOOR, INNER 21" (M4)
91	0121F00118NG	DOOR CTRL ACCESS, 14" PAINTED (M1, M2)
91	0121F00119NG	DOOR CTRL ACCESS, 17.5" (M3)
91	0121F00120NG	DOOR CTRL ACCESS, 21" PAINTED (M4)
101	4023500	CHIMNEY TRANSITION TOP
111	4015502	J-BOX COVER
121	4014502	J-BOX
131	0163F00001	UNIVERSAL BUSHING WITH SLICE
141	10690402	INTERLOCK SWITCH

**Expanded Model Nomenclature**

M1 - DC80SE0403AXAA
M2 - DC80SE0603AXAA
M3 - DC80SE0804BXAA
M4 - DC80SE1005CXAA

# BLOWER ASSEMBLY

## BLOWER ASSEMBLY



BLOWER ASSEMBLY MAY DIFFER FROM WHAT IS SHOWN

# BLOWER ASSEMBLY

Ref. Part No: No:	Description:	Ref. Part No: No:	Description:
-------------------	--------------	-------------------	--------------

**Image 1:**

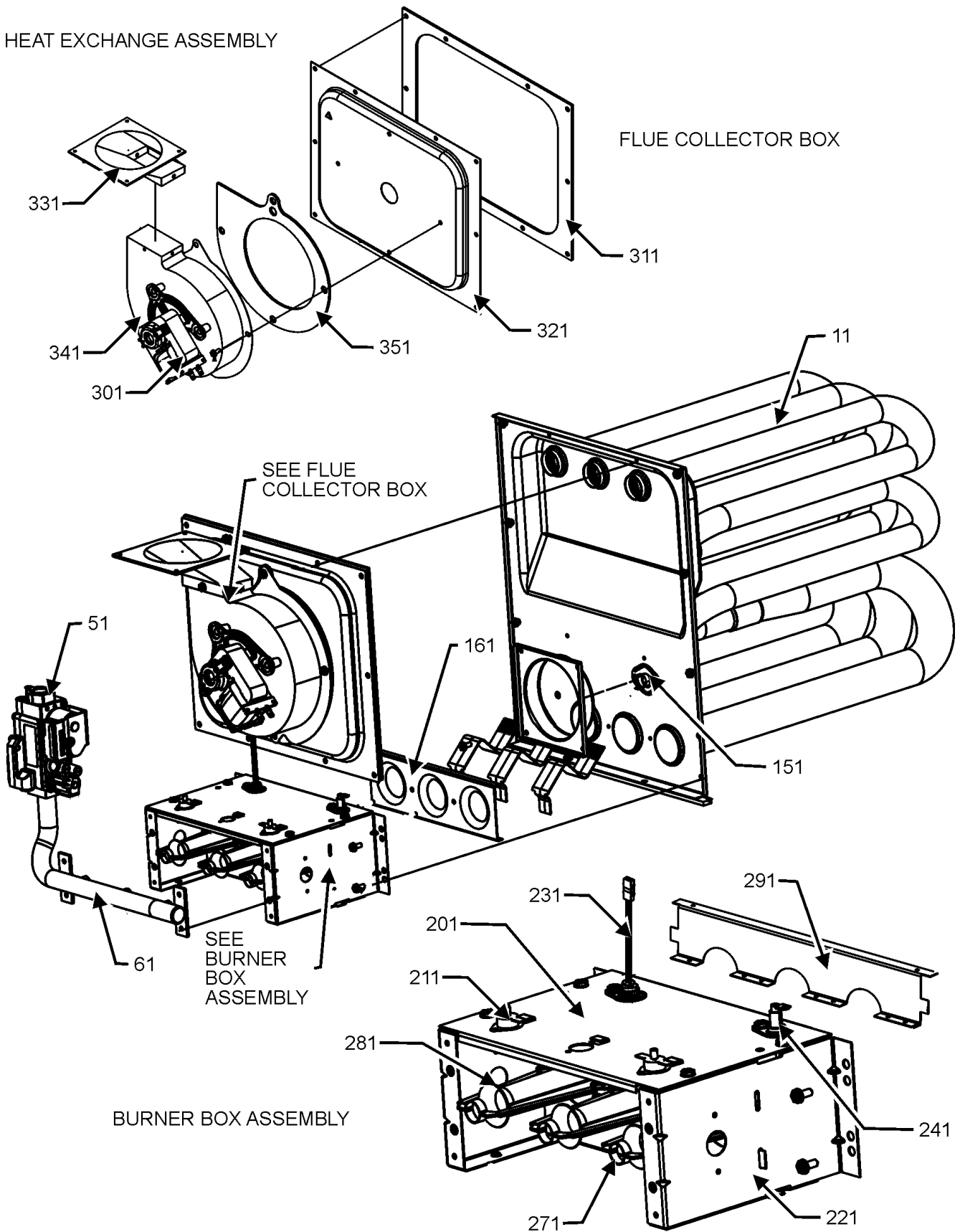
101	PCBBF145	CIRCUIT BOARD
121	B1368047	BLOWER WHEEL (10 X 10) (M4)
121	B1368034	BLOWER WHEEL (10 X 6) (M1, M2)
121	0150M00043	WHEEL, BLOWER (10 X 8) (M3)
131	0130F00038	LIMIT, PRIMARY 120 LT BLUE
141	0121M00039	MOTOR MOUNT BAND (HEAVY DUTY)
151	B1376863	MOTOR MOUNT ARM (HEAVY DUTY) (QTY
181	B1392918	3) WASHER, FLAT 1/4 ID X 1 OD (QTY 3)
191	0163M00320	HEX HEAD ALL THREAD TAP BOLT SCREW-
211	M0250565	TC 1.25" (QTY 3)
231	B1393800	LOCKNUT, NYLON INSERT 1/4 20
251	0159F00076	WIRING HARNESS
261	2539307	BLWR SHL ASM 10X10 10X10 (M4)
261	2539305	BLWR SHL ASM 10X6 10X6 (M1, M2) BLWR
261	2539306	SHL ASM 10X8 10X8 (M3)
271	764741	BLWR BLK-OFF,10X10 (M4)
271	764739	BLWR BLK-OFF,10X6 (M1, M2)
271	764740	BLWR BLK-OFF,10X8 (M3)
111	0131F00115	MOTOR, PROGRAM-X13 (M1)
111	0131F00116	MOTOR, PROGRAM-X13 (M2)
111	0131F00117	MOTOR, PROGRAM-X13 (M3)
111	0131F00119	MOTOR, PROGRAM-X13 (M4)

## Expanded Model Nomenclature

M1 - DC80SE0403AXAA
M2 - DC80SE0603AXAA
M3 - DC80SE0804BXAA
M4 - DC80SE1005CXAA

# HEAT EXCHANGE ASSEMBLY

HEAT EXCHANGE ASSEMBLY



# HEAT EXCHANGE ASSEMBLY

Ref. Part No: No:	Description:	Ref. Part No: No:	Description:
<b>Image 1:</b>			
11	0270F03529		HEAT EXCHANGER ASSY (M1)
11	0270F03530		HEAT EXCHANGER ASSY (M2)
11	0270F03532		HEAT EXCHANGER ASSY (M3)
11	0270F03534		HEAT EXCHANGER ASSY (M4)
51	0151M00037		GAS VALVE
61	0120F00006		MANIFOLD (M1)
61	0120F00007		MANIFOLD (M2)
61	0120F00008		MANIFOLD (M3)
61	0120F00009		MANIFOLD (M4)
151	0130F00036		LIMIT, PRIMARY , 180, PINK (M1, M2, M3)
151	20162901		LIMIT-RED (M4)
161	4028000		ORIFICE SHIELD 2 CELL (M1)
161	4028001		ORIFICE SHIELD 3 CELL (M2)
161	4028002		ORIFICE SHIELD 4 CELL (M3)
161	4028003		ORIFICE SHIELD 5 CELL (M4)
201	0121F00162		BURNER BOX TOP 2 CELL (M1)
201	0121F00163		BURNER BOX TOP 3 CELL (M2)
201	0121F00164		BURNER BOX TOP 4 CELL (M3)
201	0121F00165		BURNER BOX TOP 5 CELL (M4)
211	10123529		MANUAL RESET R.O.S. LIMIT
221	0121F00146		SIDE PLATE BURNER BOX (QTY 2)
231	0130F00008		SINI IGNITOR
241	0130F00010		FLAME SENSOR
271	10716005		ORIFICE (QTY 2)
281	B4022700		INSHOT BURNER ASSY 3" (QTY 2)
291	0121F00167		BURNER BRACKET 2B (M1)
291	0121F00168		BURNER BRACKET 3B (M2)
291	0121F00169		BURNER BRACKET 4B (M3)
291	0121F00170		BURNER BRACKET 5B (M4)
301	DY6.186.070		VENT MOTOR CAPACITOR
311	0154F00003		GASKET-14 INCH (M1, M2)
311	0154F00004		GASKET-17.5 INCH (M3)
311	0154F00005		GASKET-21 INCH (M4)
321	0121F00327		14" COLLECTOR BOX 1.125" DIA (M1)
321	0121F00364		14" FLUE COLLECTOR BOX 1.5"DIA (M2)
321	0121F00334		21" COLLECTOR BOX 1.625" DIA (M4)
321	0121F00128		COLLECTOR BOX 17.5" 1.75 DIA (M3)
331	0128F00006		CHIMNEY TRANSITION BOTTOM
341	0131M00002P		MOTOR, VENT 80+
351	0154F00003		GASKET-14 INCH (M1, M2)
351	0154F00004		GASKET-17.5 INCH (M3)
351	0154F00005		GASKET-21 INCH (M4)
NS	0259F00057		ASSY, WIRE HARNESS, 12-PIN
NS	0259F00059		KIT, WIRE DF
NS	0159F00059		WIRE HARNESS ASSY. , IGNITOR
NS	0159F00076		WIRING HARNESS

## Expanded Model Nomenclature

M1 - DC80SE0403AXAA
M2 - DC80SE0603AXAA
M3 - DC80SE0804BXAA
M4 - DC80SE1005CXAA