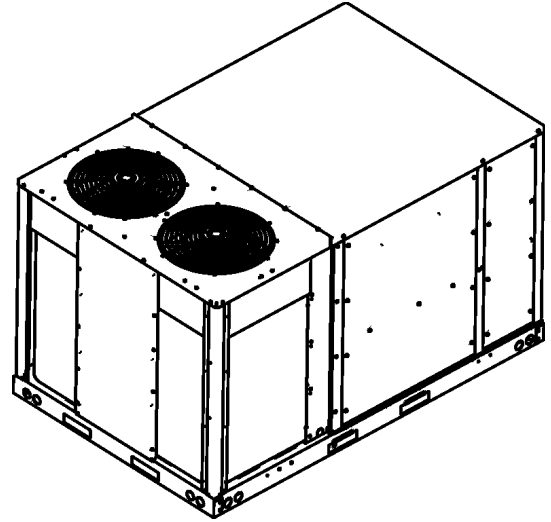


DBH 12.5 Ton Commercial Package Heat Pump

DBH1503V000001SAA

DBH1504V000001SAA

DBH1507V000001SAA



This manual is to be used by qualified technicians only.

Important Information

Index

Functional Parts List	3
Illustration and Parts	4 - 15

Views shown are for parts illustrations only, not servicing procedures.

Text Codes:

AR - As Required

NA - Not Available

NS - Not Shown

00000000 - See Note

QTY - Quantity Example (QTY 3) (If Quantity not shown, Quantity = 1)

M - Model Example (M1) (If M Code not shown, then part is used on all Models)

Expanded Model Nomenclature:

Example M1 - Model#1 M2 - Model#2 M3 - Model#3

Daikin Company, L.P. is not responsible for personal injury or property damage resulting from improper service. Review all service information before beginning repairs.

Warranty service must be performed by an authorized technician, using authorized factory parts. If service is required after the warranty expires, Daikin Company, L.P. also recommends contacting an authorized technician and using authorized factory parts.

Daikin Company, L.P. reserves the right to discontinue, or change at any time, specifications or designs without notice or without incurring obligations.

For assistance within the U.S.A. contact:

Equipment Support
Daikin North America, LLC
19001 Kermier Road
Waller, Texas 77484
855-770-5678-Telephone
713-863-2382-Facsimile

For assistance outside the U.S.A. contact:

International Division
Daikin North America, LLC
19001 Kermier Road
Waller, Texas 77484
713-861-2500-Telephone
713-863-2382-Facsimile

Functional Parts

Part

No: Description:

0251L00117	ASSY EXPANSION VALVE
0130M00249	AUXILLARY SWITCH (QTY 2)
0150L00003	BLADE-FAN 22" ALUM. CCW 30 DEG (QTY 2)
CAP100000370LA	CAP, 10 MFD/370V/OVAL (QTY 2)
ZP67KCETFD130	COMP, 67000,460/60/3 (M2)
ZP67KCETF5130	COMP, 67500,200/230/60/3 (M1)
ZP67KCETFE130	COMP, 67500,575/60/3 (M3)
CONT2P025024V	CONT 2 POLE 25 AMP 24 VAC
CONT3P030024V	CONT, 3 POLE 30 AMP 24VAC (QTY 4)
0130M00198	CONTROL DEFROST (QTY 2)
0130L00240	CRANK CASE HEATER-70W 240V (M1)
0130L00241	CRANK CASE HEATER-70W 480V (M2)
0130L00242	CRANK CASE HEATER-70W 575V (M3)
0130M00178	DPDT RELAY 24VAC (QTY 4)
0130M00074	HIGH PRESSURE SWITCH (QTY 2)
0130M00075	LOW PRESSURE SWITCH (QTY 2)
0131L00070	MOTOR, 3PH, 3H.P. (M1)
0131L00072	MOTOR, 3PH, 3HP (M3)
0131L00071	Motor, 3PH, 3HP (M2)
0131M00930	Nidec Motor, 1/2 HP (M3)
0131M00925	Nidec Motor, 1/2 HP (M1)
0131M00926	Nidec Motor, 1/2 HP (M2)
PCBDM101	PCB DEFROST CONTROL
PCBFM103	PCB TIME DELAY EBTR
0151R00071	REVERSING VALVE (QTY 2)
B1370772	TIME DEALY ICM 180SEC DELA (QTY 2)
0130M00598	TRANSFMR, 75VA, 575V TO 24V (M3)
0130M00594	TRANSFORMER (M1)
0130M00595	TRANSFORMER, 75VA, 480V TO 24V (M2)

SPECIAL PARTS

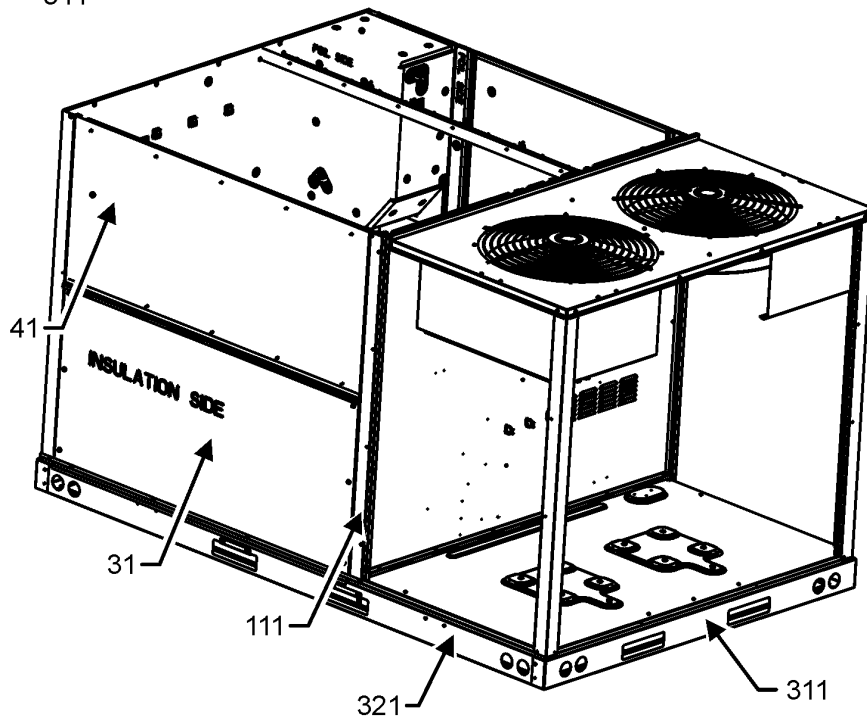
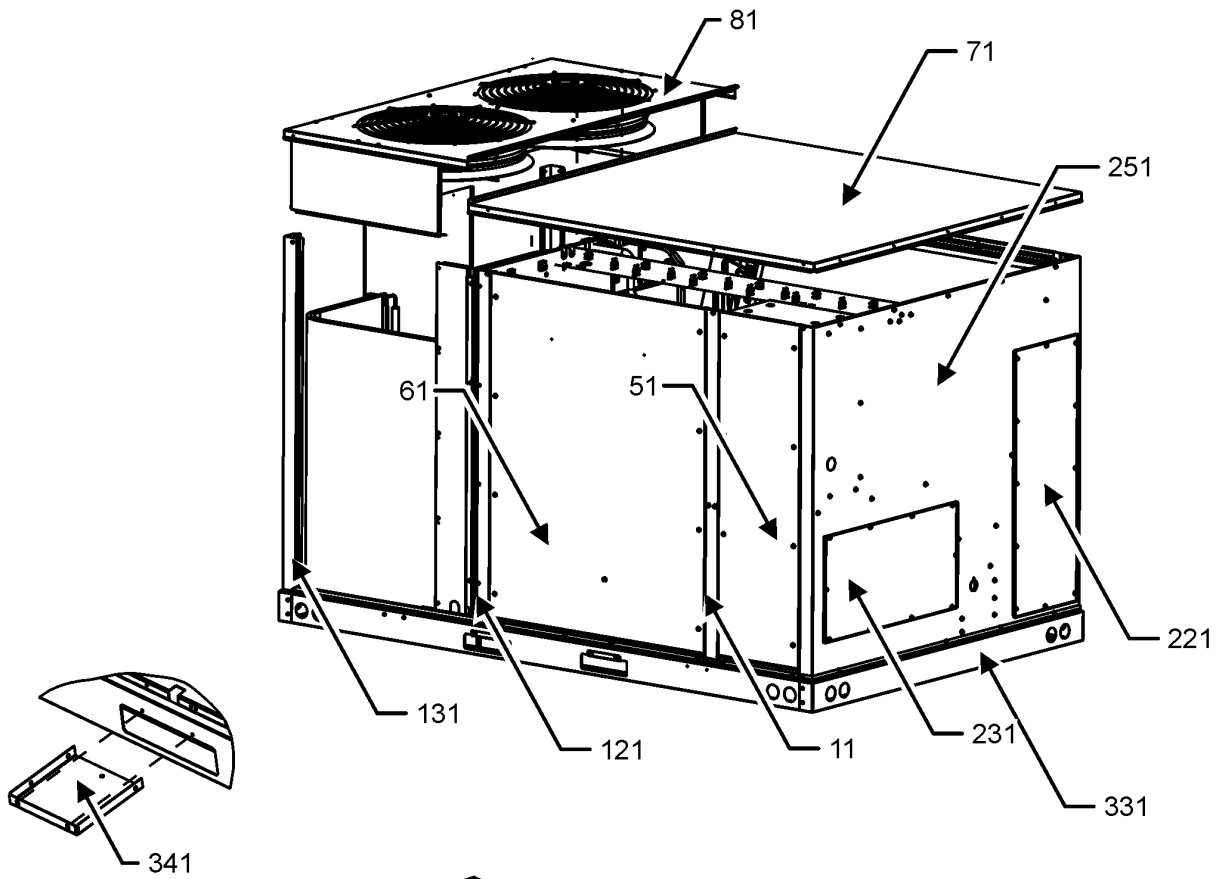
RP-FIOPMC*	ACCESSORY RP MANUAL
RP-EHX(D/B)MC*	HEATER KIT RP MANUAL
RP-EHS(D/B)MC*	HEATER KIT RP MANUAL

Expanded Model Nomenclature

M1 - DBH1503V000001SAA
M2 - DBH1504V000001SAA
M3 - DBH1507V000001SAA

CABINET ASSEMBLY

CABINET ASSEMBLY



CABINET ASSEMBLY MAY DIFFER FROM WHAT IS SHOWN

CABINET ASSEMBLY

Ref. Part No: No:	Description:	Ref. Part No: No:	Description:
----------------------	--------------	----------------------	--------------

Image 1:

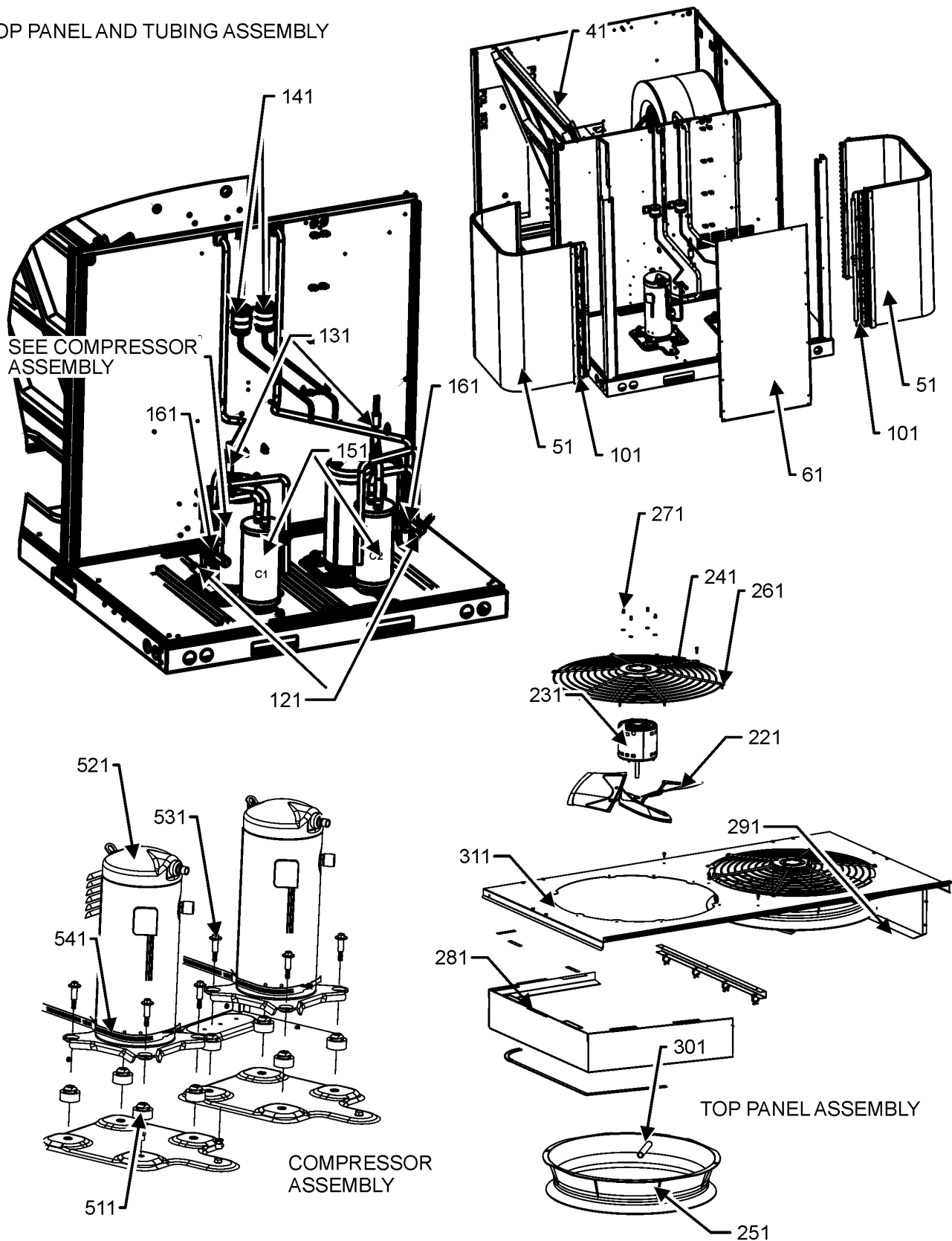
11	0121L03534SB	PAINTED, PANEL, SIDE POST
31	0121L04312SB	PAINTED, ECONOMIZER PANEL
41	0121L03173SB	PAINTED FILTER PANEL 7.5 TON
51	0121L03052SB	PAINTED CONTROL PANEL
61	0121L03961SB	PAINTED BLOWER PANEL
71	0121L02428SB	PAINTED, INDOOR TOP PANEL
81	0121L04210SB	PAINTED, PANEL, OUTDOOR TOP
111	0121L02199SB	PAINTED SIDE POST
121	0121L03470SB	PAINTED SIDE POST
131	0121L03903SB	PAINTED, PANEL, CORNER POST (QTY 2)
221	0121L03508SB	PAINTED COVER DUCT RETURN
231	0121L02921SB	PAINTED COVER DUCT SUPPLY
251	0121L03631SB	PAINTED, PANEL, DUCT
311	0121L04127	BASE RAIL (QTY 2)
321	0121L01910	END RAIL
331	0121L01920	END RAIL
341	0121L03727	BRACKET-FORK BOARD (QTY 4)
NS	0141L00084	BOARD FORK (QTY 2)

Expanded Model Nomenclature

M1 - DBH1503V000001SAA
M2 - DBH1504V000001SAA
M3 - DBH1507V000001SAA

TOP PANEL AND TUBING ASSEMBLY

TOP PANEL AND TUBING ASSEMBLY



TOP PANEL AND TUBING ASSEMBLY MAY DIFFER FROM WHAT IS SHOWN

TOP PANEL AND TUBING ASSEMBLY

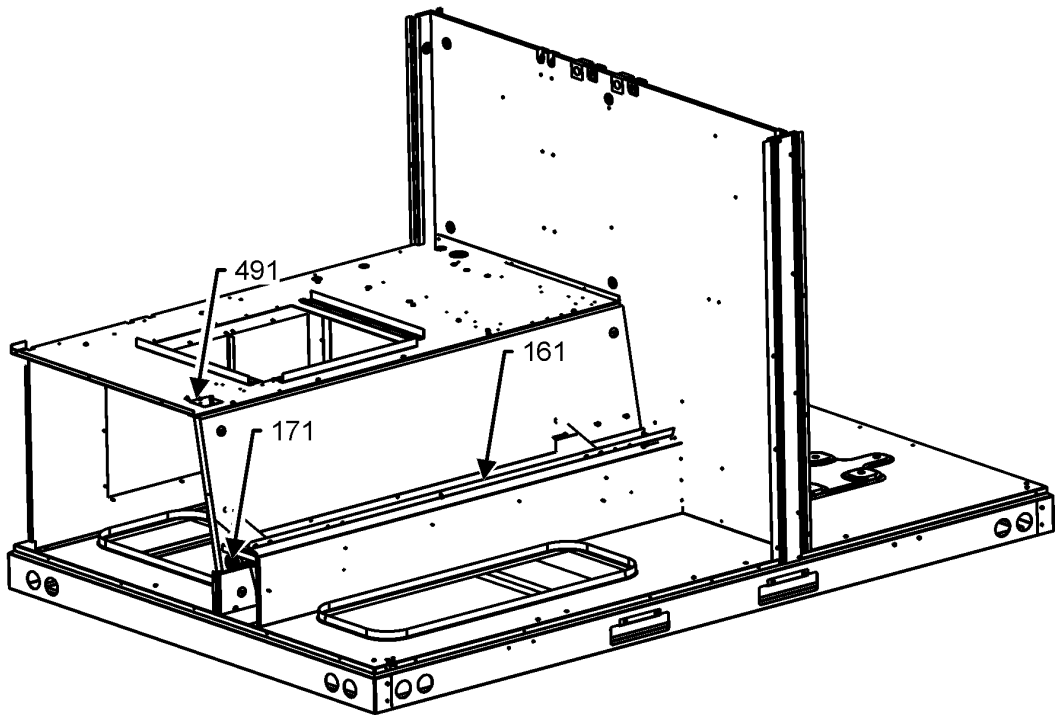
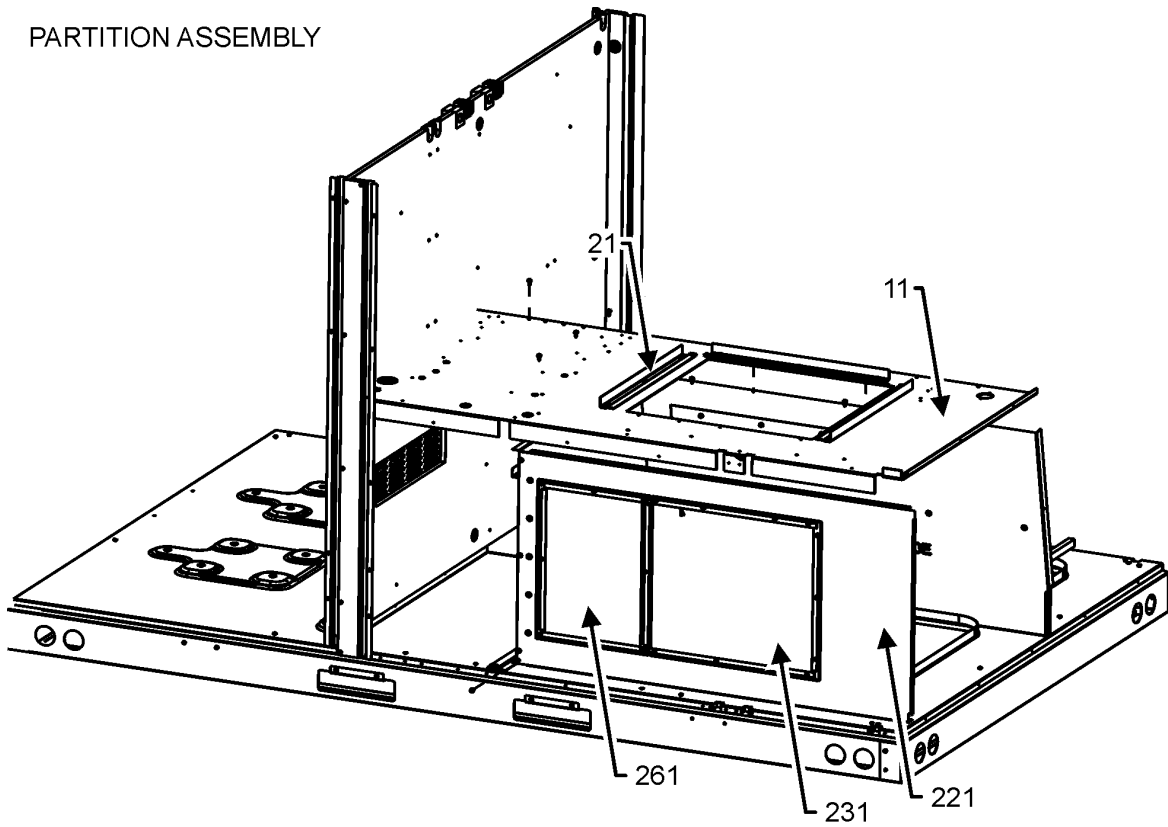
Ref. Part No: No:	Description:	Ref. Part No: No:	Description:
Image 1:			
41	0202L00425		ASSY., EVAP COIL
51	0201L00747		ASSY., CONDENSOR COIL C1
61	0121L04203SB		PAINTED, COVER, COND COIL
71	0201L00748		ASSY., CONDENSOR COIL C2
101	0130M00198		CONTROL DEFROST (QTY 2)
121	0130M00074		HIGH PRESSURE SWITCH
131	0130M00075		LOW PRESSURE SWITCH
141	0151M00012		FILTER/DRIER-BI-FLOW (QTY 2)
151	0151L00001		ACCUMULATOR (QTY 2)
161	0151R00071		REVERSING VALVE
221	0150L00003		BLADE-FAN 22" ALUM. CCW 30 DEG (QTY 2)
231	0131M00925		Nidec Motor, 1/2 HP (M1)
231	0131M00926		Nidec Motor, 1/2 HP (M2)
231	0131M00930		Nidec Motor, 1/2 HP (M3)
241	0152G00000		FAN GRILLE, RAISED (QTY 2)
251	0161R00048		MOLDED RING VENTURI 22 (QTY 2)
261	0163M00004		SCREW #10X3/4 BLK (QTY 16)
271	0163M00006P		NUT, ACORN 5/16 HEX BLACK (QTY 8)
281	0121L04566		COIL BLOCKOFF
291	0121L04567		COIL BLOCKOFF
301	0161R00003P		CONDUIT (QTY 2)
311	0121L04210SB		PAINTED, PANEL, OUTDOOR TOP
511	B1339533		GROMMET, COMPRESSOR (QTY 8)
521	ZP67KCETFD130		COMP, 67000,460/60/3 (M2)
521	ZP67KCETF5130		COMP, 67500,200/230/60/3 (M1)
521	ZP67KCETFE130		COMP, 67500,575/60/3 (M3)
531	B1393740		COMP BOLT & SLEEVE (QTY 8)
541	0130L00240		CRANK CASE HEATER-70W 240V (M1)
541	0130L00241		CRANK CASE HEATER-70W 480V (M2)
541	0130L00242		CRANK CASE HEATER-70W 575V (M3)
NS	0160L00267		AIR FILTER (QTY 4)
NS	0251L00117		ASSY EXPANSION VALVE
NS	20333401		GROMMET-HORSESHOE (QTY 3)
NS	0159L00068		Harness, comp scroll
NS	0159L00069		Harness, comp scroll
NS	M0272803		WASHER LOCK (QTY 4)
NS	0163M00005P		WASHER, BLACK .50OD.218ID (QTY 8)

Expanded Model Nomenclature

M1 - DBH1503V000001SAA
M2 - DBH1504V000001SAA
M3 - DBH1507V000001SAA

PARTITION ASSEMBLY

PARTITION ASSEMBLY



PARTITION ASSEMBLY MAY DIFFER FROM WHAT IS SHOWN

PARTITION ASSEMBLY

Ref. Part No:	No:	Description:	Ref. Part No:	No:	Description:
---------------	-----	--------------	---------------	-----	--------------

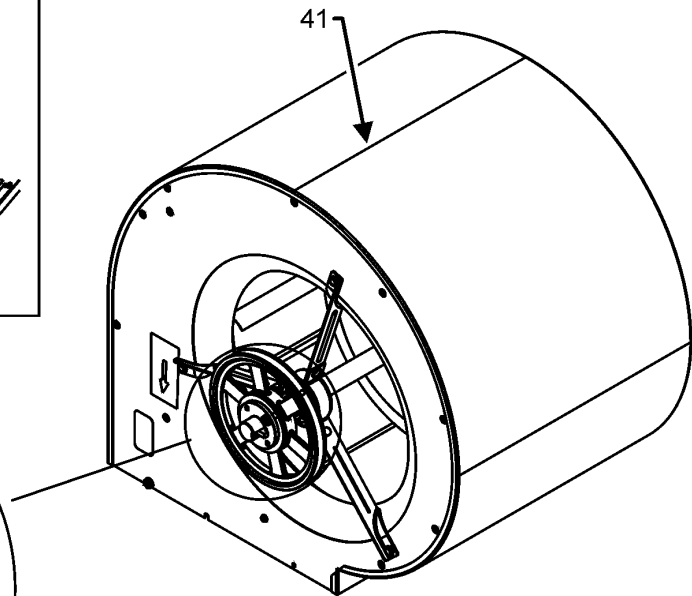
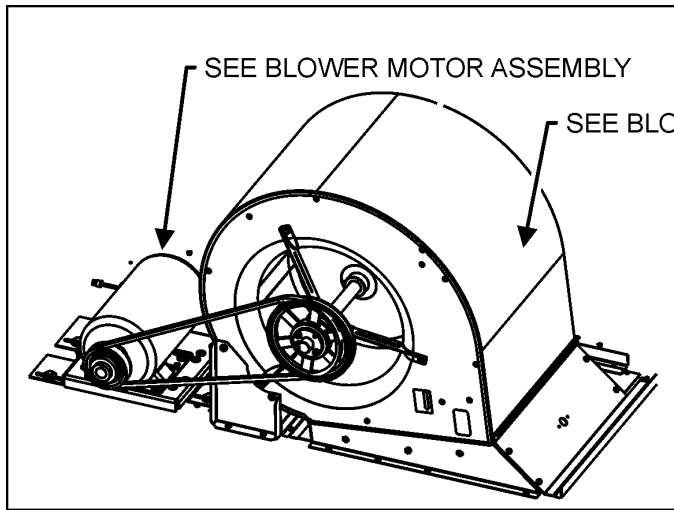
Image 1:

11	0121L04139	BLOWER DECK
21	0121I03084	BLOWER SLIDE PLATE (QTY 3)
161	0161L00002	DRAIN PAN EVAP 7TO12
171	0154L00180	GASKET, DRAIN PAN
221	0121L04010	PANEL FRONT, EHK
231	0121L03965	PNL, COVER EHK
261	0121L03458	PANEL EHK BLOCK OFF
491	0121L00321	COVER SMOKE DETECTOR
NS	0161L00012	PLUG DRAIN PAN

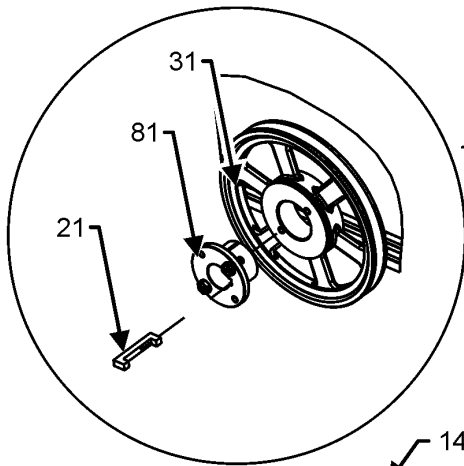
Expanded Model Nomenclature

M1 - DBH1503V000001SAA
M2 - DBH1504V000001SAA
M3 - DBH1507V000001SAA

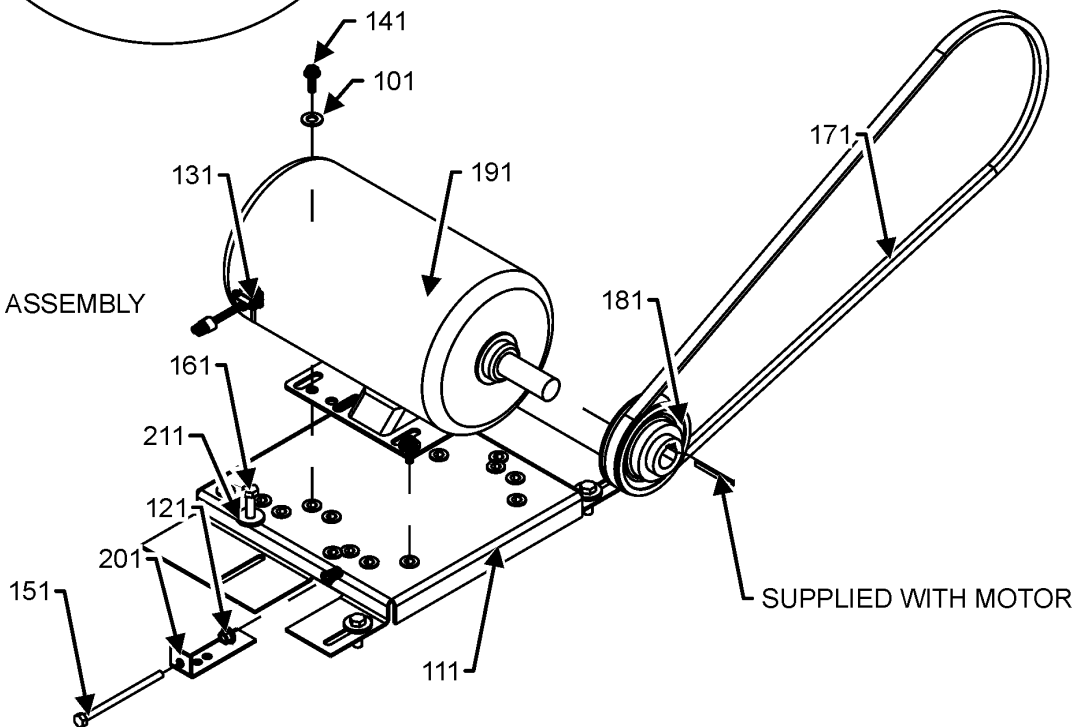
BLOWER ASSEMBLY



BLOWER HOUSING ASSEMBLY



BLOWER MOTOR ASSEMBLY



BLOWER ASSEMBLY MAY DIFFER FROM WHAT IS SHOWN

BLOWER ASSEMBLY

Ref. Part No:	No:	Description:	Ref. Part No:	No:	Description:
<i>Image 1:</i>					
21	0163M00407	MACHINE KEY SPECIAL			
31	0163L00194	SHEAVE, FIXED AK84H			
41	04-01526	BLOWER HOUSING			
81	0163L00131	BUSHING 1"			
101	B1392923	WASHER FLAT (QTY 4)			
111	0121L03930	MOTOR BASE			
121	B1393023	NUT LOCK .25-20			
131	B1393726	ELECT CONNECTING BUSHING			
141	B1393738	BOLT 1/4-20X3/4 (QTY 4)			
151	0163M00045	BOLT 1/4-20X4			
161	B1446707	SCREW 5/16-18X1" (QTY 4)			
171	0164L00002	FAN BELT, NOTCHED			
181	0163L00066	VP SHEAVE 1VP44 X 1-1/8			
191	0131L00070	MOTOR, 3PH, 3H.P. (M1)			
191	0131L00071	Motor, 3PH, 3HP (M2)			
191	0131L00072	MOTOR, 3PH, 3HP (M3)			
201	3225000F	ANGLE BELT TIGHTENER			
211	B1392918	WASHER FLAT 1/4IDX1OD (QTY 4)			
NS	04-02196	BEARING&FRAME ASSY			
NS	04-11526	BLOWER SHAFT			
NS	03-78497	BLOWER WHEEL			

Expanded Model Nomenclature

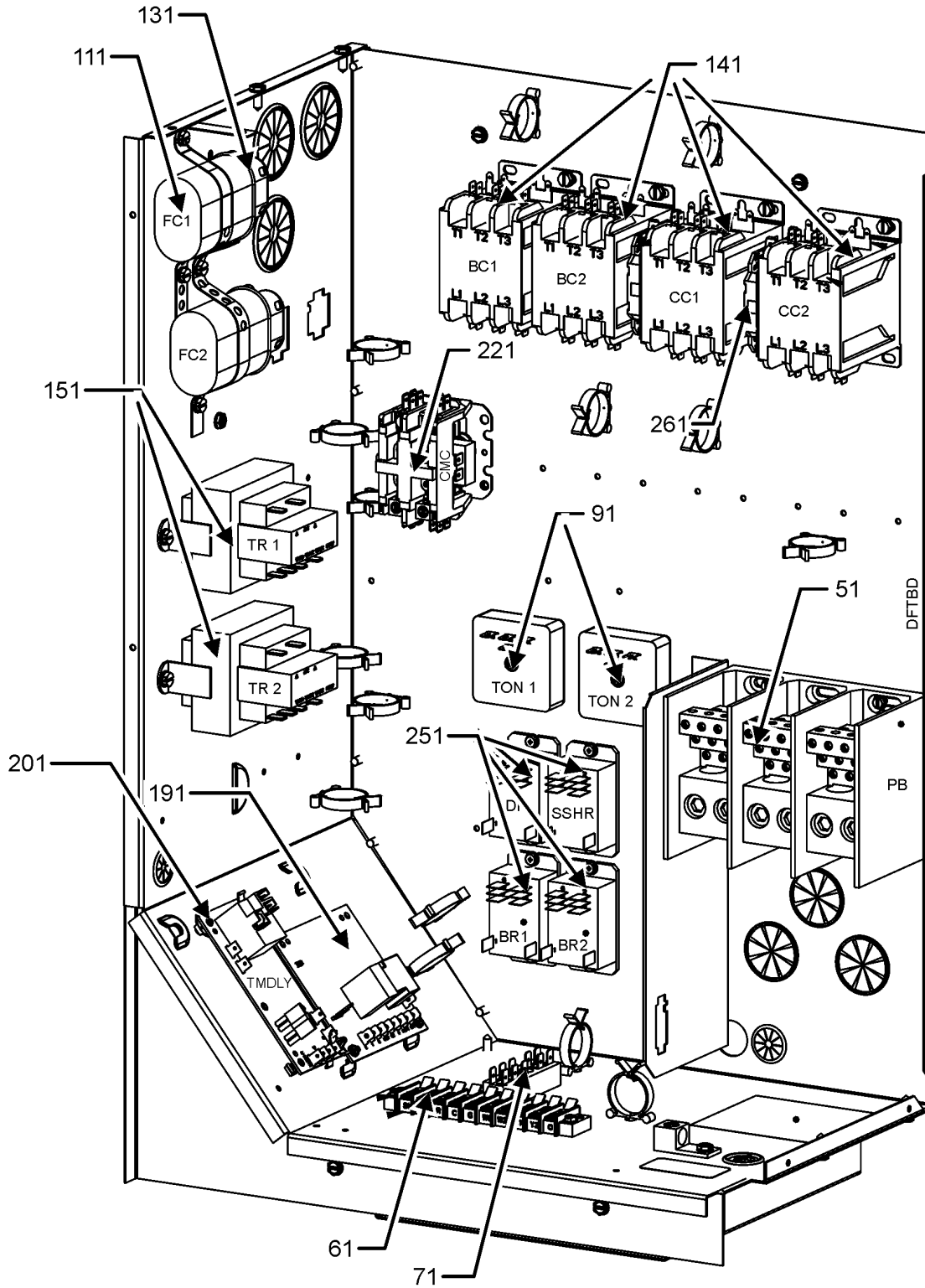
M1 - DBH1503V000001SAA

M2 - DBH1504V000001SAA

M3 - DBH1507V000001SAA

CONTROL BOX ASSEMBLY

CONTROL BOX ASSEMBLY



CONTROL BOX ASSEMBLY MAY DIFFER FROM WHAT IS SHOWN

CONTROL BOX ASSEMBLY

Ref. Part No:	No:	Description:	Ref. Part No:	No:	Description:
---------------	-----	--------------	---------------	-----	--------------

Image 1:

51	0130L00217	POWER,BLOCK
61	0130M00240	TERMINAL BOARD
71	802007090	TERM BOARD
91	B1370772	TIME DEALY ICM 180SEC DELA (QTY 2)
111	CAP100000370LA	CAP, 10 MFD/370V/OVAL (QTY 2)
131	B821700	BOOT CAPACITOR (QTY 2)
141	CONT3P030024V	CONT, 3 POLE 30 AMP 24VAC (QTY 4)
151	0130M00598	TRANSFMR, 75VA, 575V TO 24V (M3)
151	0130M00594	TRANSFORMER (M1)
151	0130M00595	TRANSFORMER, 75VA, 480V TO 24V (M2)
191	PCBDM101	PCB DEFROST CONTROL
201	PCBFM103	PCB TIME DELAY EBTDR
221	CONT2P025024V	CONT 2 POLE 25 AMP 24 VAC
251	0130M00178	DPDT RELAY 24VAC (QTY 4)
261	0130M00249	AUXILLARY SWITCH (QTY 2)
NS	20520901	STRAP CAPACITOR (QTY 7)

Expanded Model Nomenclature

M1 - DBH1503V000001SAA
M2 - DBH1504V000001SAA
M3 - DBH1507V000001SAA

ACCESSORY PARTS LIST

NOTE: NOT ALL OPTIONS AVAILABLE FOR ALL PRODUCTS

FOR ACCESSORY PARTS SEE THE FOLLOWING PART MANUAL

RP-FIOPMC*

RP-EHS[D/B]MC*

RP-EHX[D/B]MC*

ACCESSORY LIST

Ref. Part No: No:	Description:	Ref. Part No: No:	Description:
----------------------	--------------	----------------------	--------------

Image 1:

NS	RP-FIOPMC*	ACCESSORY RP MANUAL
NS	RP-EHS(D/B)MC*	HEATER KIT RP MANUAL
NS	RP-EH(X/D/B)MC*	HEATER KIT RP MANUAL

Expanded Model Nomenclature

- | |
|------------------------|
| M1 - DBH1503V000001SAA |
| M2 - DBH1504V000001SAA |
| M3 - DBH1507V000001SAA |