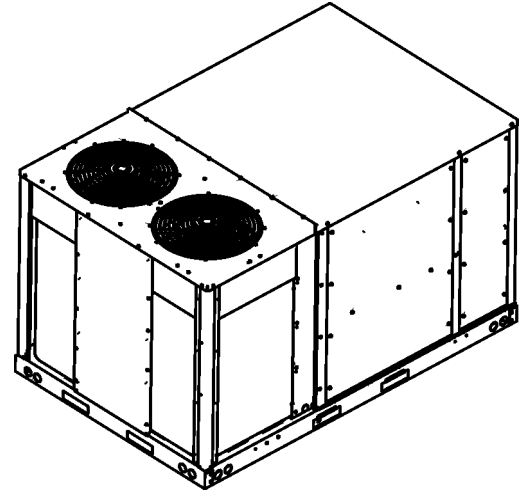


DBH 7.5 Ton Package Heat Pump

DBH0903V000001SAA

DBH0904V000001SAA

DBH0907V000001SAA



This manual is to be used by qualified technicians only.

This manual replaces RP-D1252

Important Information

Index

Functional Parts List	3
Illustration and Parts	4 - 15

Views shown are for parts illustrations only, not servicing procedures.

Text Codes:

AR - As Required

NA - Not Available

NS - Not Shown

00000000 - See Note

QTY - Quantity Example (QTY 3) (If Quantity not shown, Quantity = 1)

M - Model Example (M1) (If M Code not shown, then part is used on all Models)

Expanded Model Nomenclature:

Example
M1 - Model#1
M2 - Model#2
M3 - Model#3

Daikin Comfort Technologies Manufacturing , L.P. is not responsible for personal injury or property damage resulting from improper service. Review all service information before beginning repairs.

Warranty service must be performed by an authorized technician, using authorized factory parts. If service is required after the warranty expires, Daikin Comfort Technologies Manufacturing , L.P. also recommends contacting an authorized technician and using authorized factory parts.

Daikin Comfort Technologies Manufacturing , L.P. reserves the right to discontinue, or change at any time, specifications or designs without notice or without incurring obligations.

For assistance within the U.S.A. contact:
Equipment Support
Daikin Comfort Technologies Manufacturing , L.P.
19001 Kermier Road
Waller, Texas 77484
855-770-5678-Telephone
713-863-2382-Facsimile

For assistance outside the U.S.A. contact:
International Division
Daikin Comfort Technologies Manufacturing , L.P.
19001 Kermier Road
Waller, Texas 77484
713-861-2500-Telephone
713-863-2382-Facsimile

Functional Parts

Part

No: Description:

0251L00102	ASSY EXPANSION VALVE
0251L00103	ASSY EXPANSION VALVE
0251L00104	ASSY EXPANSION VALVE COND COIL C1
0251L00105	ASSY EXPANSION VALVE COND COIL C2
0251L00102	ASSY EXPANSION VALVE EVAP COIL C1
0251L00103	ASSY EXPANSION VALVE EVAP COIL C2
0130M00249	AUXILLARY SWITCH (QTY 2)
0150L00003	BLADE-FAN 22" ALUM. CCW 30 DEG (QTY 2)
0130L00164	CLASS CC FUSE 5A (M3)
ZP39K5ETFD130	COMP, 39000, 460/60/3 (M2)
ZP39K5ETF5130	COMP, 39000,200/230/60/3 (M1)
ZP39K5ETFE130	Comp, 39000,575/60/3 (M3)
CONT2P025024V	CONT 2 POLE 25 AMP 24 VAC
CONT3P030024V	CONT, 3 POLE 30 AMP 24VAC (QTY 4)
0130M00198	CONTROL DEFROST (QTY 2)
0163L00173	CRANKCASE HEATER (M3)
0130M00178	DPDT RELAY 24VAC (QTY 4)
0163R00004	HEATER CRANKCASE, 460V, 40W (M2)
0163R00003	HEATER, CRANKCASE 230V 40W (M1)
0130M00074	HIGH PRESSURE SWITCH (QTY 2)
0130M00075	LOW PRESSURE SWITCH (QTY 2)
0131M00917	MOTOR (M2)
0131M00905	MOTOR (M1, M3)
0131L00041	MOTOR 2 HP BELT DRIVE 208-230V (M1)
0131L00043	MOTOR 2HP BELT DRIVE 460V (M2)
0131L00042	MOTOR 2HP BELT DRIVE 575V (M3)
PCBDM101	PCB DEFROST CONTROL
PCBFM103	PCB TIME DELAY EBTDR
0151R00071	REVERSING VALVE (QTY 2)
B1370772	TIME DEALY ICM 180SEC DELA (QTY 2)
0130M00598	TRANSFMR, 75VA, 575V TO 24V (M3)
0130M00669	TRANSFORMER (M3)
0130M00594	TRANSFORMER (M1)
0130M00595	TRANSFORMER, 75VA, 480V TO 24V (M2)

SPECIAL PARTS

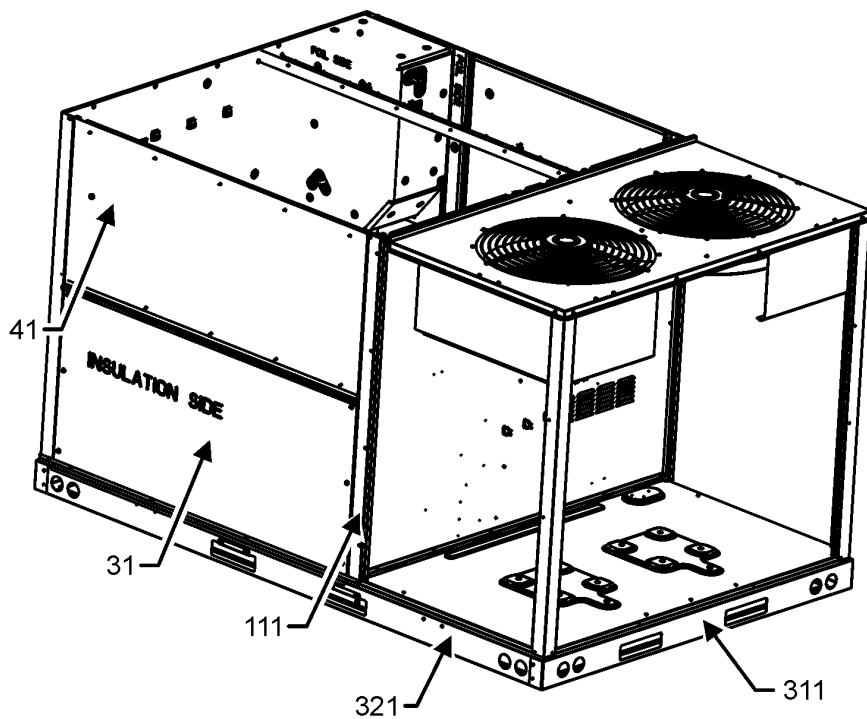
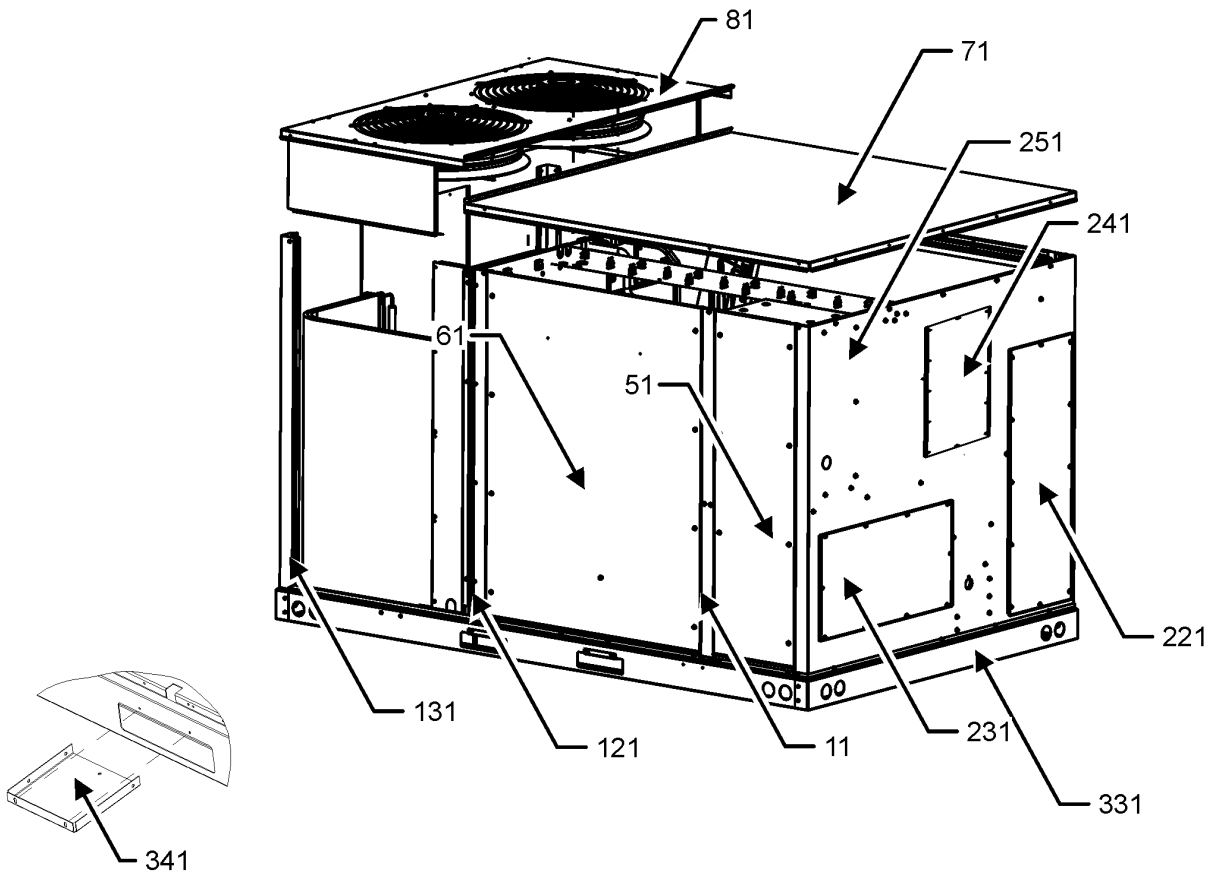
RP-FIOPMC*	ACCESSORY RP MANUAL
RP-EHS(D/B)MC*	HEATER KIT RP MANUAL
RP-EHX(D/B)MC*	HEATER KIT RP MANUAL

Expanded Model Nomenclature

M1 - DBH0903V000001SAA
M2 - DBH0904V000001SAA
M3 - DBH0907V000001SAA

CABINET ASSEMBLY

CABINET ASSEMBLY



NOTE: CABINET ASSEMBLY
MAY DIFFER FROM
WHAT IS SHOWN

CABINET ASSEMBLY

Ref. Part No: No:	Description:	Ref. Part No: No:	Description:
----------------------	--------------	----------------------	--------------

Image 1:

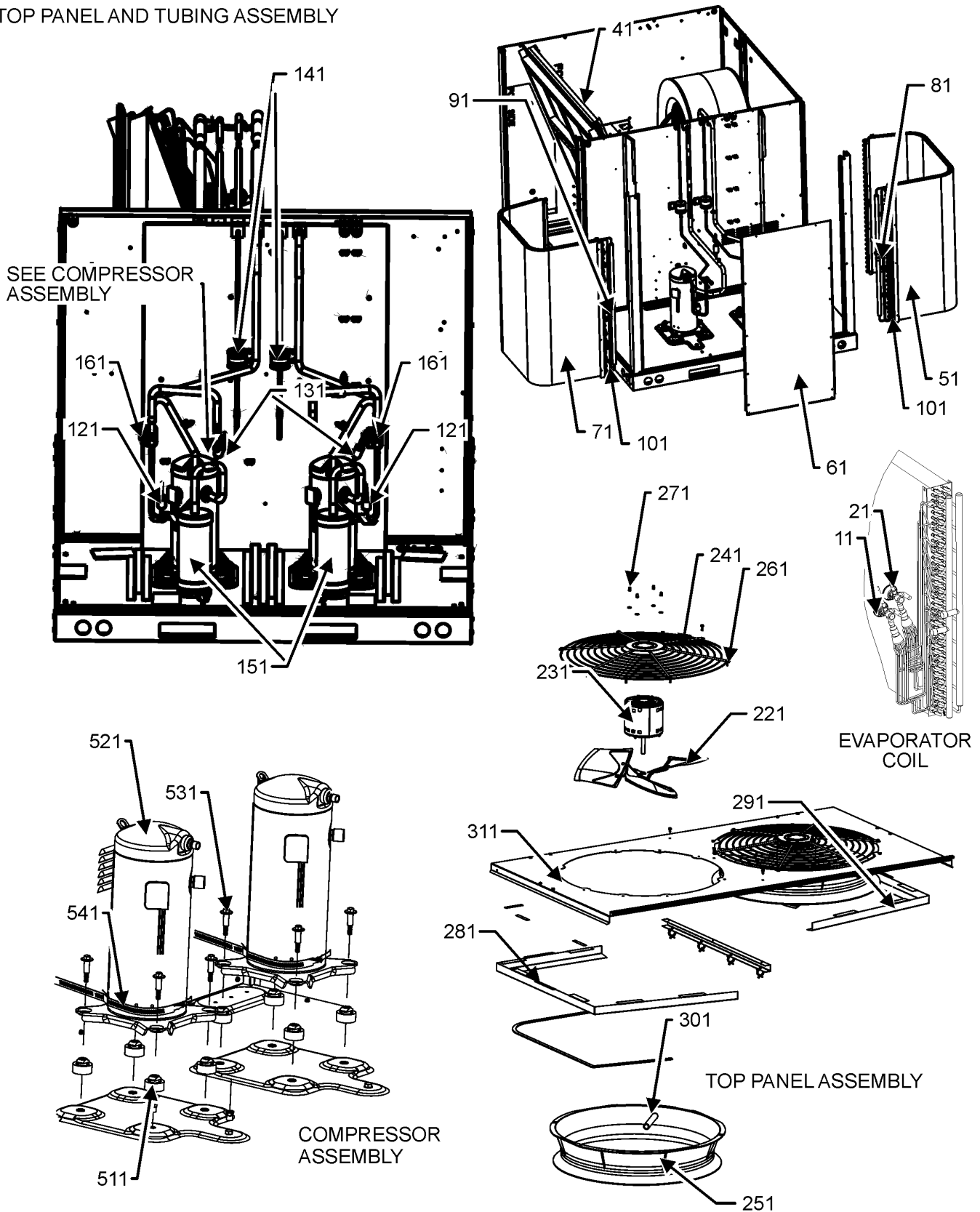
11	0121L04041SB	PAINTEd, PANEL, SIDE POST
31	0121L04154SB	PAINTEd, ECONOMIZER PANEL
41	0121L03188SB	PAINTEd FILTER PANEL 7.5 TON
51	0121L02952SB	PAINTEd CONTROL PANEL
61	0121L03821SB	PAINTEd BLOWER PANEL
71	0121L02428SB	PAINTEd, INDOOR TOP PANEL
81	0121L02437SB	PAINTEd PANEL OUTDOOR TOP (M1, M3)
81	0121L03101SB	PAINTEd PANEL OUTDOOR TOP (M2)
111	0121L03187SB	PAINTEd, SIDE POST
121	0121L03469SB	PAINTEd, SIDE POST
131	0121L03902SB	PAINTEd, PANEL, CORNER POST (QTY 2)
221	0121L03508SB	PAINTEd COVER DUCT RETURN
231	0121L02921SB	PAINTEd COVER DUCT SUPPLY
241	0121L02599SB	PAINTEd TXV PANEL
251	0121L03944SB	PAINTEd, PANEL, DUCT
311	0121L04127	BASE RAIL (QTY 2)
321	0121L01910	END RAIL
331	0121L01920	END RAIL
341	0121L03727	BRACKET-FORK BOARD (QTY 4)
NS	0141L00084	BOARD FORK (QTY 2)

Expanded Model Nomenclature

M1 - DBH0903V000001SAA
M2 - DBH0904V000001SAA
M3 - DBH0907V000001SAA

TOP PANEL AND TUBING ASSEMBLY

TOP PANEL AND TUBING ASSEMBLY



NOTE: TOP PANEL AND TUBING ASSEMBLY MAY DIFFER FROM WHAT IS SHOWN

TOP PANEL AND TUBING ASSEMBLY

Ref. Part No:	Part No:	Description:	Ref. Part No:	Part No:	Description:
---------------	----------	--------------	---------------	----------	--------------

Image 1:

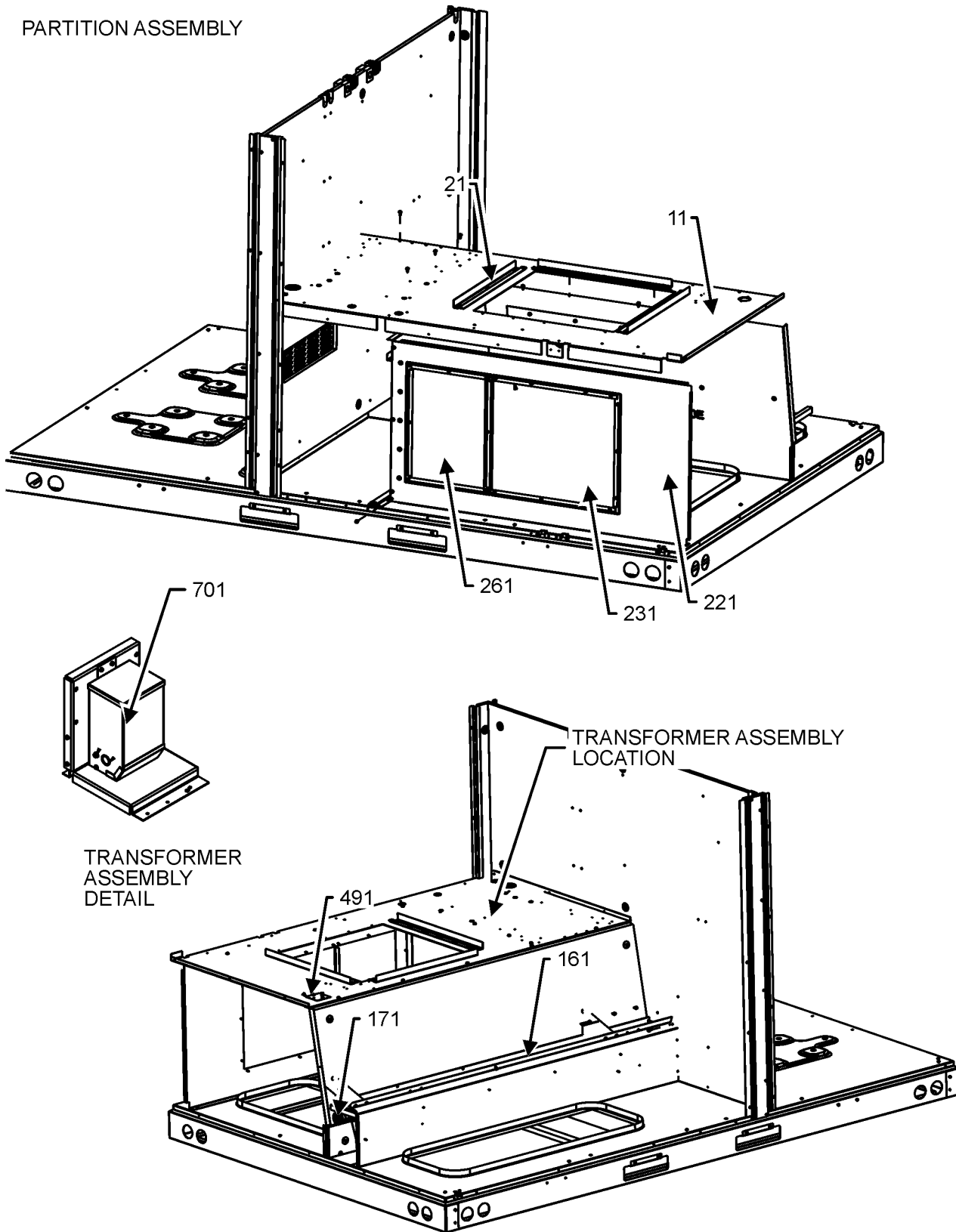
11	0251L00102	ASSY EXPANSION VALVE EVAP COIL C1
21	0251L00103	ASSY EXPANSION VALVE EVAP COIL C2
41	0202L00433	ASSY, EVAP COIL
51	0201L00852	ASSY., CONDENSOR COIL C2
61	0121L02772	CONDENSOR COIL COVER
71	0201L00851	ASSY., CONDENSOR COIL C1
81	0251L00105	ASSY EXPANSION VALVE COND COIL C2
91	0251L00104	ASSY EXPANSION VALVE COND COIL C1
101	0130M00198	CONTROL DEFROST (QTY 2)
121	0130M00074	HIGH PRESSURE SWITCH (QTY 2)
131	0130M00075	LOW PRESSURE SWITCH (QTY 2)
141	0162R00056	FILTER/DRIER-BI-FLOW (QTY 2)
151	B1226207	ACCUMULATOR (QTY 2)
161	0151R00071	REVERSING VALVE (QTY 2)
221	0150L00003	BLADE-FAN 22" ALUM. CCW 30 DEG (QTY 2)
231	0131M00905	MOTOR (M1, M3)
231	0131M00917	MOTOR (M2)
241	0152G00000	FAN GRILLE, RAISED (QTY 2)
251	0161R00048	MOLDED RING VENTURI 22 (QTY 2)
261	0163M00004	SCREW #10X3/4 BLK (QTY 16)
271	0163M00006P	NUT, ACORN 5/16 HEX BLACK (M1, M3)
281	0121L02895	COIL BLOCKOFF
291	0121L02898	COIL BLOCKOFF
301	0161G00016	CONDUIT PVC (M1, M3)
311	0121L02437SB	PAINTED PANEL OUTDOOR TOP (M1, M3)
311	0121L03101SB	PAINTED PANEL OUTDOOR TOP (M2)
511	B1339533	GROMMET, COMPRESSOR (QTY 8)
521	ZP39K5ETFD130	COMP, 39000, 460/60/3 (M2)
521	ZP39K5ETFE130	COMP, 39000,200/230/60/3 (M1)
521	ZP39K5ETFE130	Comp, 39000,575/60/3 (M3)
531	B1393740	COMP BOLT & SLEEVE (QTY 8)
541	0163L00173	CRANKCASE HEATER (M3)
541	0163R00004	HEATER CRANKCASE, 460V, 40W (M2)
541	0163R00003	HEATER, CRANKCASE 230V 40W (M1)
NS	0160L00265	AIR FILTER (QTY 4)
NS	0251L00102	ASSY EXPANSION VALVE
NS	0251L00103	ASSY EXPANSION VALVE
NS	0121R00922	BRACKET, MOTOR MOUNT (M2)
NS	0121L02573	C CHANNEL (QTY 2)
NS	20333401	GROMMET-HORSESHOE (QTY 5)
NS	0159L00066	HARNESS, COMPR SCROLL
NS	0159L00067	HARNESS, COMPR SCROLL
NS	B1393024	LOCK NUT (M2)
NS	B1393804	NYLON LOCKNUT, .31 - 18 (M2)
NS	0163M00129	SCREW, H2, .31 X 1.52 (M2)
NS	M0272803	WASHER LOCK (M1, M3)
NS	0163M00005P	WASHER, BLACK .50OD.218ID (M1, M3)

Expanded Model Nomenclature

M1 - DBH0903V000001SAA
M2 - DBH0904V000001SAA
M3 - DBH0907V000001SAA

PARTITION ASSEMBLY

PARTITION ASSEMBLY



NOTE: PARTITION ASSEMBLY MAY DIFFER FROM WHAT IS SHOWN

PARTITION ASSEMBLY

Ref. Part No:	No:	Description:	Ref. Part No:	No:	Description:
---------------	-----	--------------	---------------	-----	--------------

Image 1:

11	0121L04139	BLOWER DECK
21	0121I03084	BLOWER SLIDE PLATE (QTY 3)
161	0161L00002	DRAIN PAN EVAP 7TO12
171	0154L00180	GASKET, DRAIN PAN
221	0121L04010	PANEL FRONT, EHK
231	0121L03965	PNL, COVER EHK
261	0121L03458	PANEL EHK BLOCK OFF
491	0121L00321	COVER SMOKE DETECTOR
701	0130M00669	TRANSFORMER (M3)
NS	0161L00012	PLUG DRAIN PAN

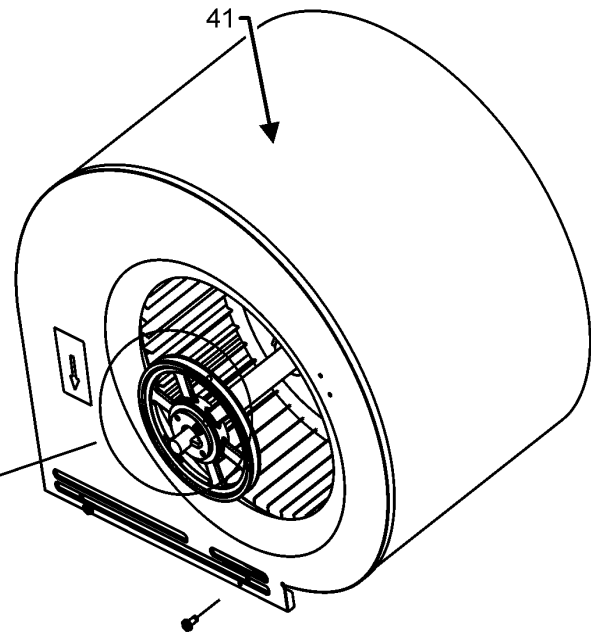
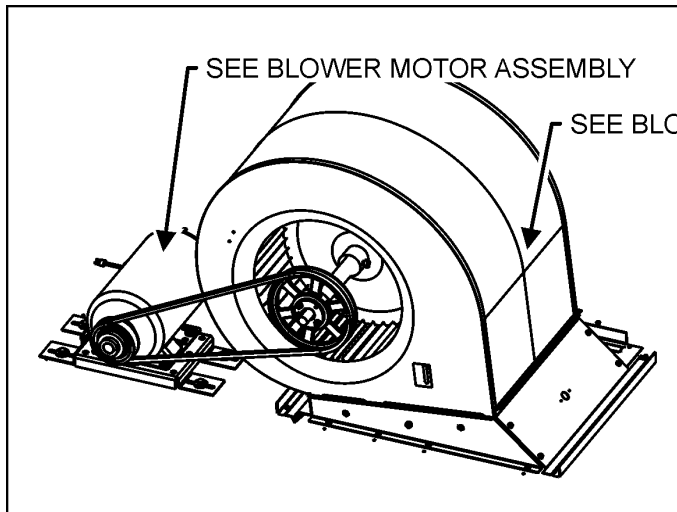
Expanded Model Nomenclature

M1 - DBH0903V000001SAA

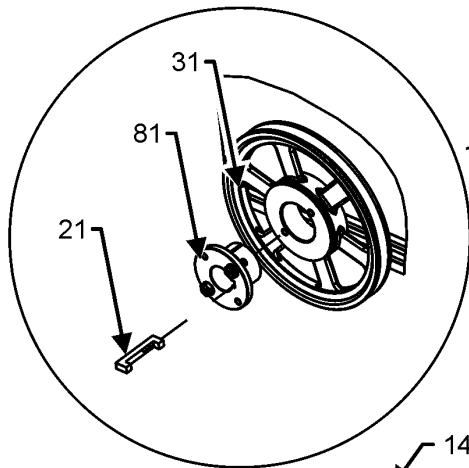
M2 - DBH0904V000001SAA

M3 - DBH0907V000001SAA

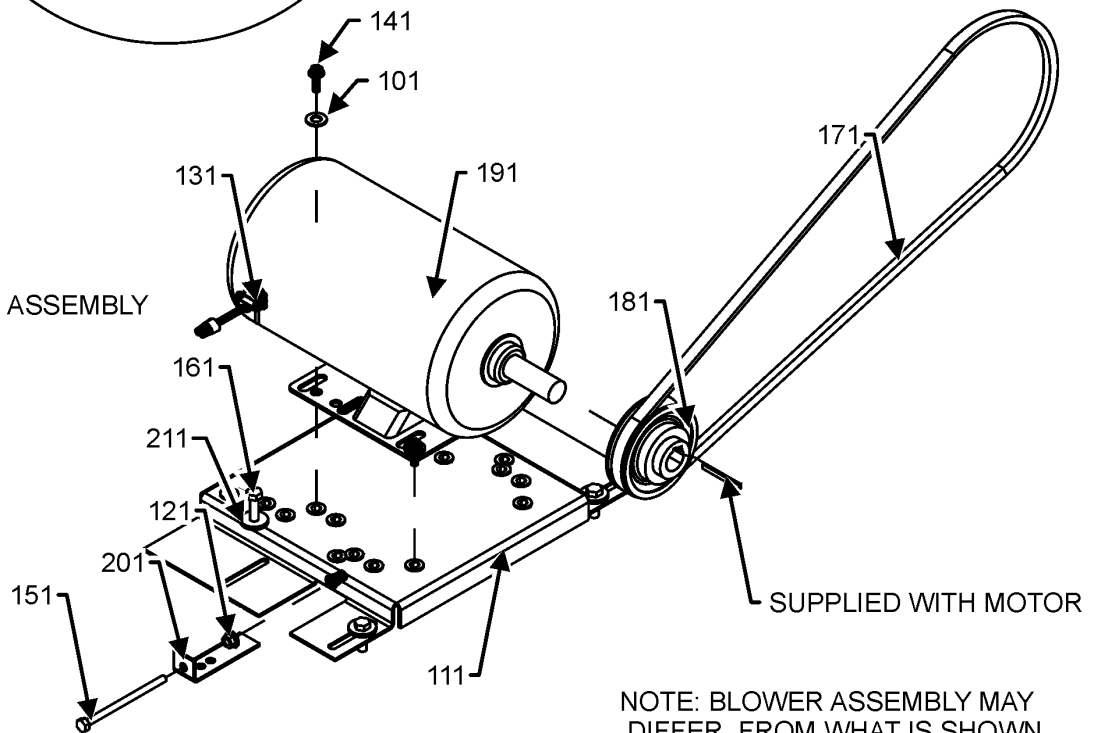
BLOWER ASSEMBLY



BLOWER HOUSING ASSEMBLY



BLOWER MOTOR ASSEMBLY



NOTE: BLOWER ASSEMBLY MAY DIFFER FROM WHAT IS SHOWN

BLOWER ASSEMBLY

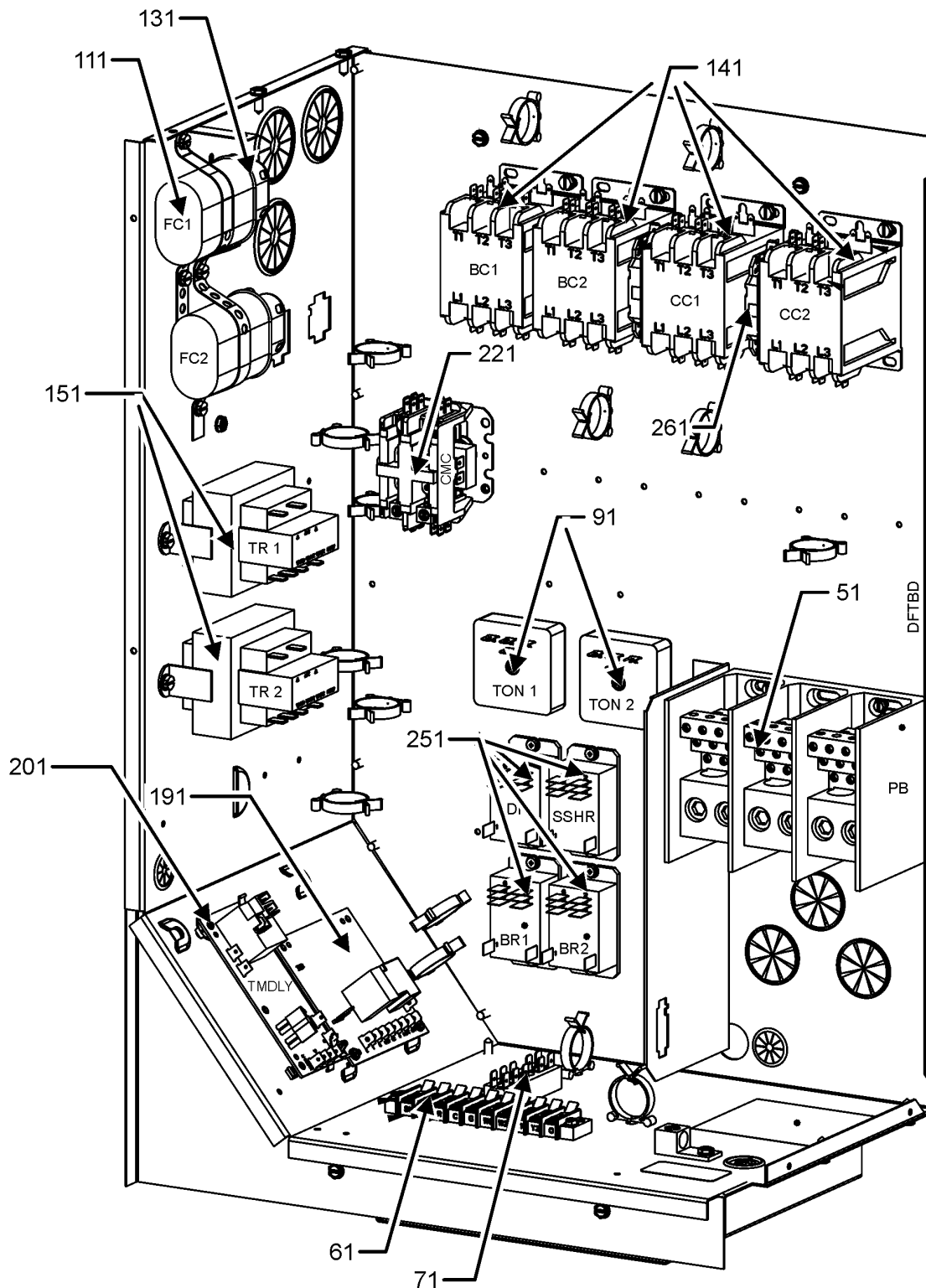
Ref. Part No: No:	Description:	Ref. Part No: No:	Description:
Image 1:			
21	0163M00407		MACHINE KEY SPECIAL
31	0163L00194		SHEAVE, FIXED AK84H
41	04-01525		BLOWER HOUSING
81	0163L00131		BUSHING 1"
101	B1392923		WASHER FLAT (QTY 4)
111	0121L03916		BASE-MOTOR
121	B1393023		NUT LOCK .25-20
131	B1393726		ELECT CONNECTING BUSHING
141	B1393738		BOLT 1/4-20X3/4 (QTY 4)
151	0163M00045		BOLT 1/4-20X4
161	B1446707		SCREW 5/16-18X1" (QTY 4)
171	0164L00000		FAN BELT, NOTCHED AX51
181	0163L00012		VARIABLE PITCH SHEAVE1VL40X7/8
191	0131L00041		MOTOR 2 HP BELT DRIVE 208-230V (M1)
191	0131L00043		MOTOR 2HP BELT DRIVE 460V (M2)
191	0131L00042		MOTOR 2HP BELT DRIVE 575V (M3)
201	3225000F		ANGLE BELT TIGHTENER
211	B1392918		WASHER FLAT 1/4IDX1OD (QTY 4)
NS	04-02196		BEARING&FRAME ASSY
NS	04-11525		BLOWER SHAFT
NS	03-77429		BLOWER WHEEL

Expanded Model Nomenclature

M1 - DBH0903V000001SAA
M2 - DBH0904V000001SAA
M3 - DBH0907V000001SAA

CONTROL BOX ASSEMBLY

CONTROL BOX ASSEMBLY



NOTE: CONTROL BOX ASSEMBLY MAY DIFFER FROM WHAT IS SHOWN

CONTROL BOX ASSEMBLY

Ref. Part No:	No:	Description:	Ref. Part No:	No:	Description:
---------------	-----	--------------	---------------	-----	--------------

Image 1:

51	0130L00217	POWER,BLOCK
61	0130M00240	TERMINAL BOARD
71	802007090	TERM BOARD
91	B1370772	TIME DEALY ICM 180SEC DELA (QTY 2)
141	CONT3P030024V	CONT, 3 POLE 30 AMP 24VAC (QTY 4)
151	0130M00598	TRANSFMR, 75VA, 575V TO 24V (M3)
151	0130M00594	TRANSFORMER (M1)
151	0130M00595	TRANSFORMER, 75VA, 480V TO 24V (M2)
191	PCBDM101	PCB DEFROST CONTROL
201	PCBFM103	PCB TIME DELAY EBTDR
221	CONT2P025024V	CONT 2 POLE 25 AMP 24 VAC
251	0130M00178	DPDT RELAY 24VAC (QTY 4)
261	0130M00249	AUXILLARY SWITCH (QTY 2)
NS	0130L00164	CLASS CC FUSE 5A (M3)
NS	0130M00670	FUSE BLOCK CLASS CC (M3)
NS	20520901	STRAP CAPACITOR (QTY 7)

Expanded Model Nomenclature

M1 - DBH0903V000001SAA
M2 - DBH0904V000001SAA
M3 - DBH0907V000001SAA

ACCESSORY PARTS LIST

NOTE: NOT ALL OPTIONS AVAILABLE FOR ALL PRODUCTS

FOR ACCESSORY PARTS SEE THE FOLLOWING PART MANUAL

RP-FIOPMC*

RP-EHS[D/B]MC*

RP-EHX[D/B]MC*

ACCESSORY LIST

Ref. Part No:	No:	Description:	Ref. Part No:	No:	Description:
---------------	-----	--------------	---------------	-----	--------------

Image 1:

NS	RP-FIOPMC*	ACCESSORY RP MANUAL
NS	RP-EHS(D/B)MC*	HEATER KIT RP MANUAL
NS	RP-EHX(D/B)MC*	HEATER KIT RP MANUAL

Expanded Model Nomenclature

M1 - DBH0903V000001SAA
M2 - DBH0904V000001SAA
M3 - DBH0907V000001SAA