
DBH 5 Ton Direct Drive Commercial Package Heat Pump

DBH0601D000001SAA

DBH0603D000001SAA



This manual is to be used by qualified technicians only.

Important Information

Index

Functional Parts List	3
Illustration and Parts	4 - 15

Views shown are for parts illustrations only, not servicing procedures

Text Codes:

AR - As Required

NA - Not Available

NS - Not Shown

00000000 - See Note

QTY - Quantity Example (QTY 3) (If Quantity not shown, Quantity = 1)

M - Model Example (M1) (If M Code not shown, then part is used on all Models)

Expanded Model Nomenclature:

Example M1 - Model#1 M2 - Model#2 M3 - Model#3

Daikin Company, L.P. is not responsible for personal injury or property damage resulting from improper service. Review all service information before beginning repairs.

Warranty service must be performed by an authorized technician, using authorized factory parts. If service is required after the warranty expires, Daikin Company, L.P. also recommends contacting an authorized technician and using authorized factory parts.

Daikin Company, L.P. reserves the right to discontinue, or change at any time, specifications or designs without notice or without incurring obligations.

For assistance within the U.S.A. contact:

Equipment Support
Daikin North America, LLC
19001 Kermier Road
Waller, Texas 77484
855-770-5678-Telephone
713-863-2382-Facsimile

For assistance outside the U.S.A. contact:

International Division
Daikin North America, LLC
19001 Kermier Road
Waller, Texas 77484
713-861-2500-Telephone
713-863-2382-Facsimile

Functional Parts

Part

No: **Description:**

CAP100000370LA	CAP, 10 MFD/370V/OVAL (M2)
CAP100700440CT	CAP, 10/70 MFD/ 440V/ DUAL RD (M1)
ZP49K5ETF5130	COMP, 49000/208/230/60/3 (M2)
ZP49K5EPFV130	COMP,49400,208/230/60/1 (M1)
CONT2P025024V	CONT, 2 POLE, 25 AMP, 24 VAC (QTY 2)
CONT2P040024V	CONT, 2 POLE, 40 AMP, 24 VAC (M1)
CONT3P030024V	CONT, 3 POLE, 30 AMP, 24 VAC (M2)
0130M00101	CONTROL, DEFROST
0130M00101	CONTROL, DEFROST
0130M00178	DPDT RELAY 24VAC (QTY 2)
0130M00178	DPDT RELAY 24VAC (QTY 2)
B1086765	FAN BLADE, TYPE 3
0130L00209	HEATER, CRANKCASE 240V, 40W
0130M00280	HIGH PRESSURE SWITCH
0130M00075	LOW PRESSURE SWITCH
0131M00840	MOTOR, 1/3 HP, OD
PCBDM133	PCB,DEFROST CONTROL
0131L00233	PROGRAM, MOTOR
0151R00071	REVERSING VALVE
B1225022	SOLENOID COIL
0130M00199	SWITCH, CRANK CASE HEATER
0130M00038	TERMINAL BOARD
B1141654	TRANSFORMER,208-240,75VA,RESET

SPECIAL PARTS

RP-FIOPSC* ACCESSORY RP MANUAL

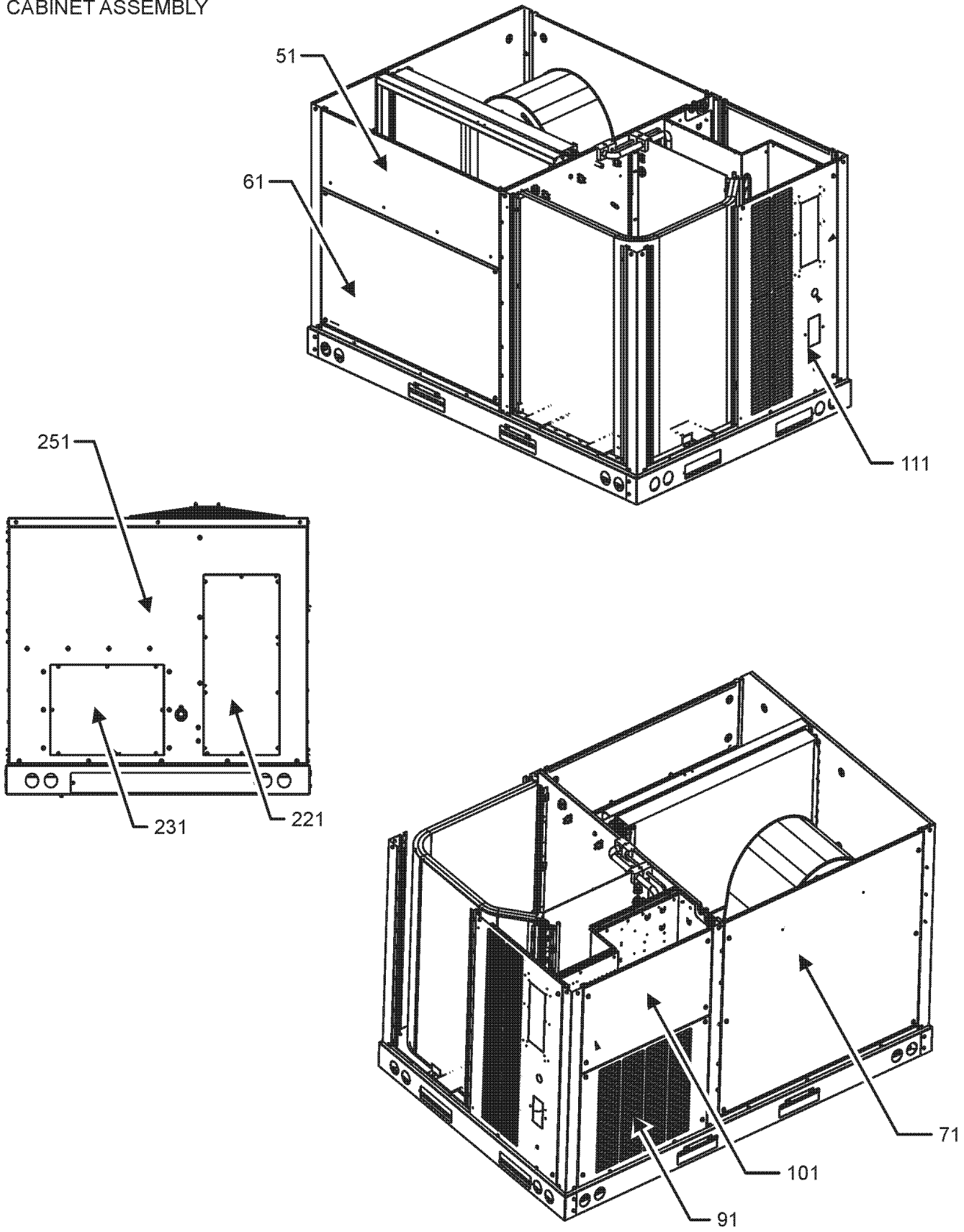
Expanded Model Nomenclature

M1 - DBH0601D000001SAA

M2 - DBH0603D000001SAA

CABINET ASSEMBLY

CABINET ASSEMBLY



CABINET ASSEMBLY

Ref. Part No:	No:	Description:	Ref. Part No:	No:	Description:
---------------	-----	--------------	---------------	-----	--------------

Image 1:

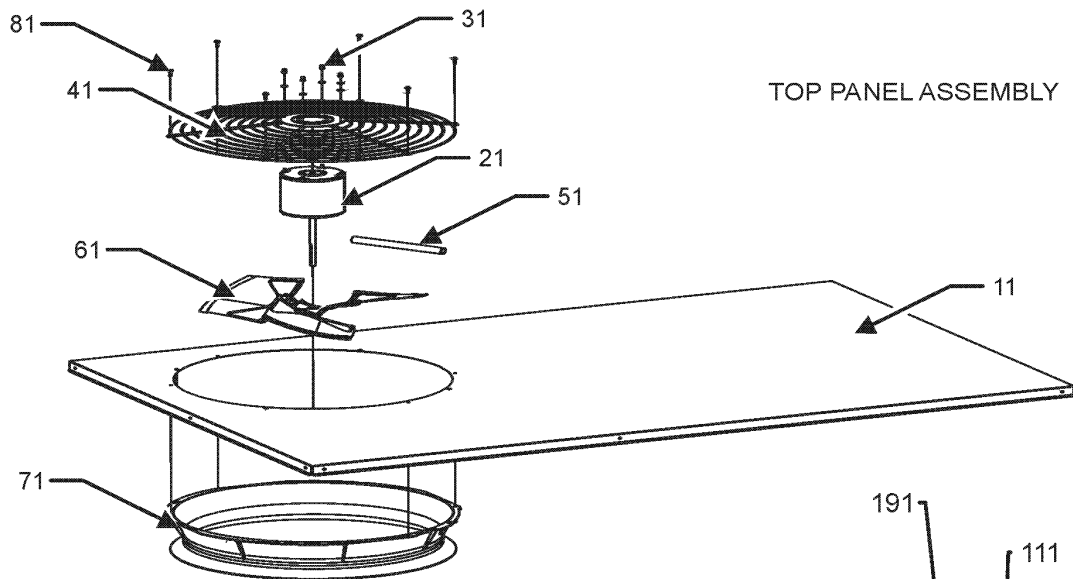
51	0121L01650SB	PAINTED FILTER PANEL
61	0121L01651SB	PAINTED ECONOMIZER PANEL
71	0121L02264SB	PAINTED BLOWER PANEL
91	0121L02265SB	PAINTED COMPRESSOR PANEL
101	0121L02262SB	PAINTED CONTROL BOX PANEL
111	0121L03643SB	PAINTED, COMPRESSOR BACK PANEL
221	0121L02910SB	PAINTED COVER-DUCT RETURN
231	0121L02911SB	PAINTED COVER-DUCT SUPPLY
251	0121L03346SB	PAINTED, DUCT PANEL

Expanded Model Nomenclature

M1 - DBH0601D000001SAA

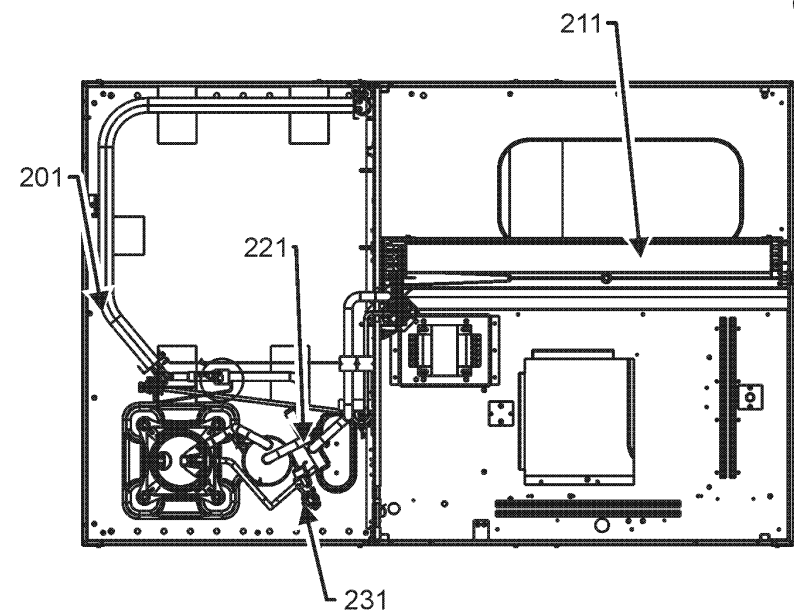
M2 - DBH0603D000001SAA

TOP PANEL AND TUBING ASSEMBLY

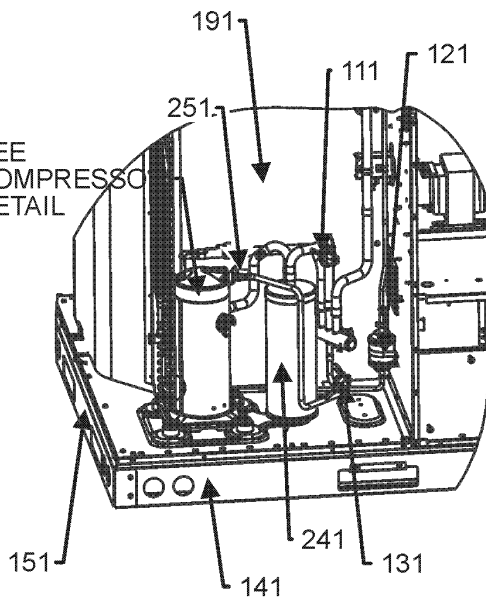


TOP PANEL ASSEMBLY

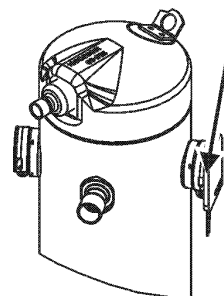
TUBING ASSEMBLY



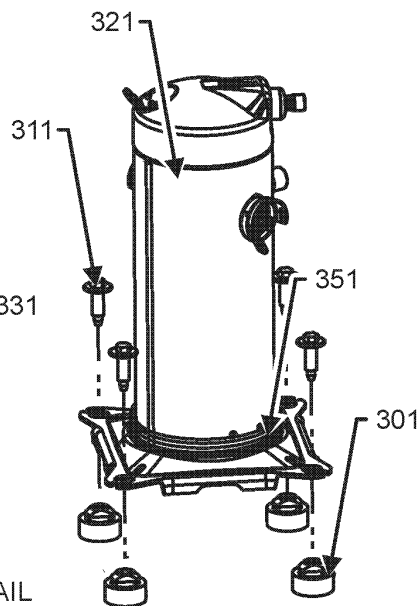
SEE COMPRESSOR
DETAIL



TUBING ASSEMBLY MAY
DIFFER FROM WHAT IS
SHOWN



COMPRESSOR DETAIL



TOP PANEL AND TUBING ASSEMBLY

Ref. Part No: No:	Description:	Ref. Part No: No:	Description:
-------------------	--------------	-------------------	--------------

Image 1:

11	0121L01626SB	PAINTED, TOP PANEL
21	0131M00840	MOTOR, 1/3 HP, OD
31	0163M00006P	ACORN NUT 5/16 HEX BLACK (QTY 4)
41	0152G00000	FAN GRILLE, RAISED
51	0161R00003P	CONDUIT
61	B1086765	FAN BLADE, TYPE 3
71	0161R00048	MOLDED RING-VENTURI 22
81	0163M00004	SCREW #10X3/4", BLACK (QTY 8)
111	0130M00075	LOW PRESSURE SWITCH
121	20485201	FILTER/DRIER-BI-FLOW
131	0130M00280	HIGH PRESSURE SWITCH
141	0121L01620	SMALL SIDE RAIL (QTY 2)
151	0121L01621	SMALL END RAIL (QTY 2)
191	0121L01634	OD COIL BLOCKOFF
201	0201L00666	ASSY., OD, COIL, TUBING
211	0202L00434	EVAP COIL TUBING ASSEMBLY
221	0151R00071	REVERSING VALVE
231	0130M00101	CONTROL, DEFROST
241	0151L00058	ACCUMULATOR
251	0130M00199	SWITCH, CRANK CASE HEATER
301	B1339533	COMPRESSOR GROMMET (QTY 4)
311	B1393740	COMP. BOLT & SLEEVE (QTY 4)
321	ZP49K5ETF5130	COMP, 49000/208/230/60/3 (M2)
321	ZP49K5EPFV130	COMP,49400,208/230/60/1 (M1)
331	0159L00027	COMPRESSOR SCROLL HARNESS (M1)
331	0159L00065	Harness, comp scroll (M2)
351	0130L00209	HEATER, CRANKCASE 240V, 40W
NS	0141L00003X	BOARD-FORK (QTY 2)
NS	0130M00101	CONTROL, DEFROST
NS	0121L03516	PNL, BRACKET, FORK BOARD (QTY 4)
NS	B1225022	SOLENOID COIL
NS	0163M00005P	WASHER, BLACK (.50 OD .218ID) (QTY 4)

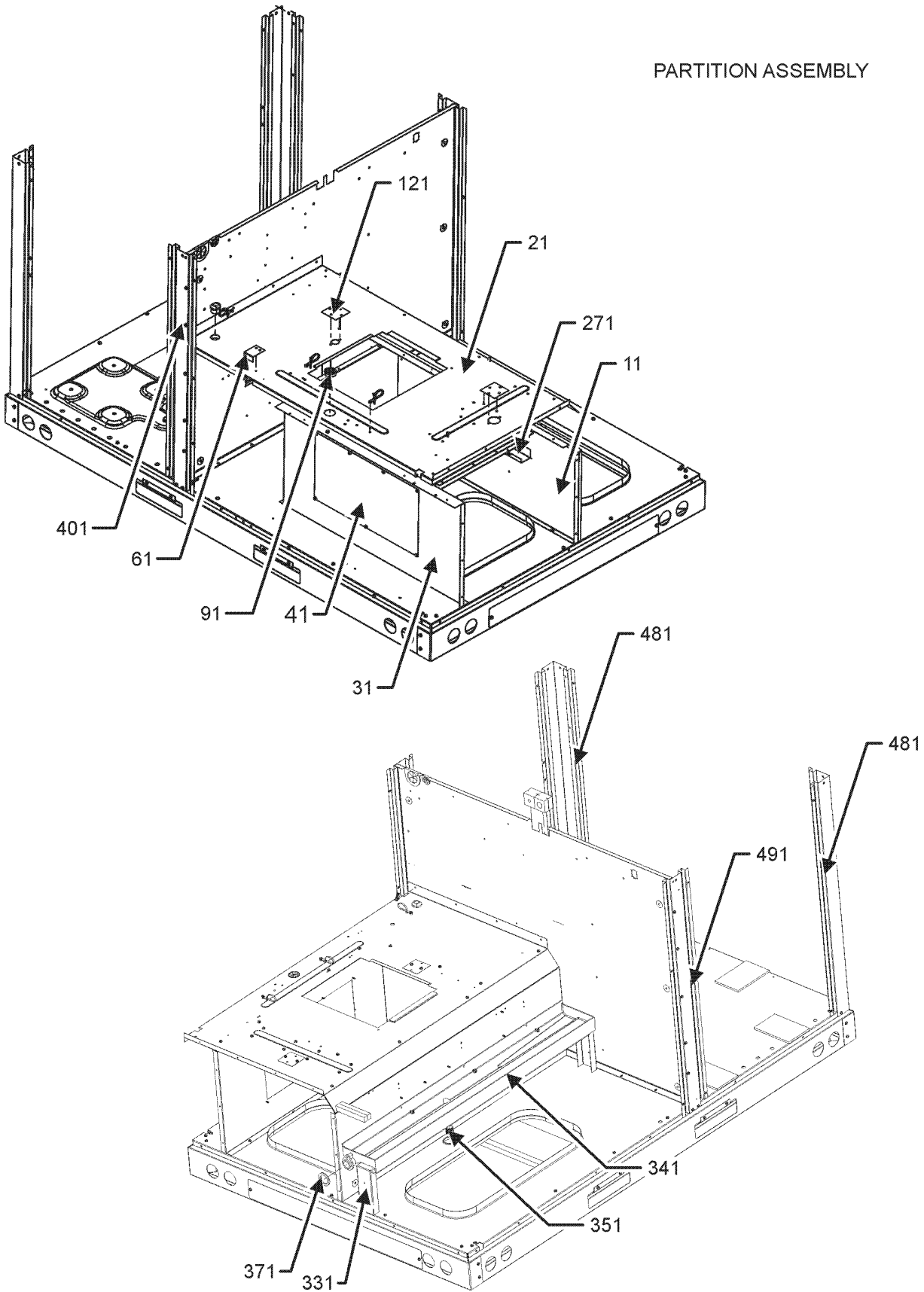
Expanded Model Nomenclature

M1 - DBH0601D000001SAA

M2 - DBH0603D000001SAA

PARTITION ASSEMBLY

PARTITION ASSEMBLY



PARTITION ASSEMBLY

Ref. Part No:	No:	Description:	Ref. Part No:	No:	Description:
---------------	-----	--------------	---------------	-----	--------------

Image 1:

11	0121L02584	BLOWER DECK SIDE			
21	0121L03755	PANEL, BLOWER DECK			
31	0121L03489	HEAT KIT BOX			
41	0121L00144	COVER-ELECTRIC HEAT			
61	0121L01709	BLOWER DECK PLATE			
91	B1392147	UNIVERSIAL BUSHING WITH SLICE (QTY 2)			
121	0121L00321	COVER-SMOKE DETECTOR (QTY 2)			
271	0121L02633	BLOWER DECK U-BRACKET			
331	0121L01628	DRAINPAN SUPPORT			
341	0161L00007	DRAIN PAN, EVAPORATOR 3-5 TON			
351	0163L00071	PLUG, DRAIN			
371	0154L00180	GASKET, DRAIN PAN			
401	0121L02698SB	PAINTED SIDE POST			
481	0121L01625SB	PAINTED CORNER POST (QTY 2)			
491	0121L03445SB	PAINTED, SIDE POST			
NS	0160L00136	AIR FILTER (QTY 2)			
NS	0160L00173	AIR FILTER 14 X 20 X 2 (QTY 2)			
NS	A4568804	GROMMET-D			
NS	0164G00005	GROMMET-HORSESHOW 1.675			
NS	0121L02260	OD COIL BLOCKOFF ANGLE			
NS	0121L03515	RETAINER - ELECTRIC HEAT			

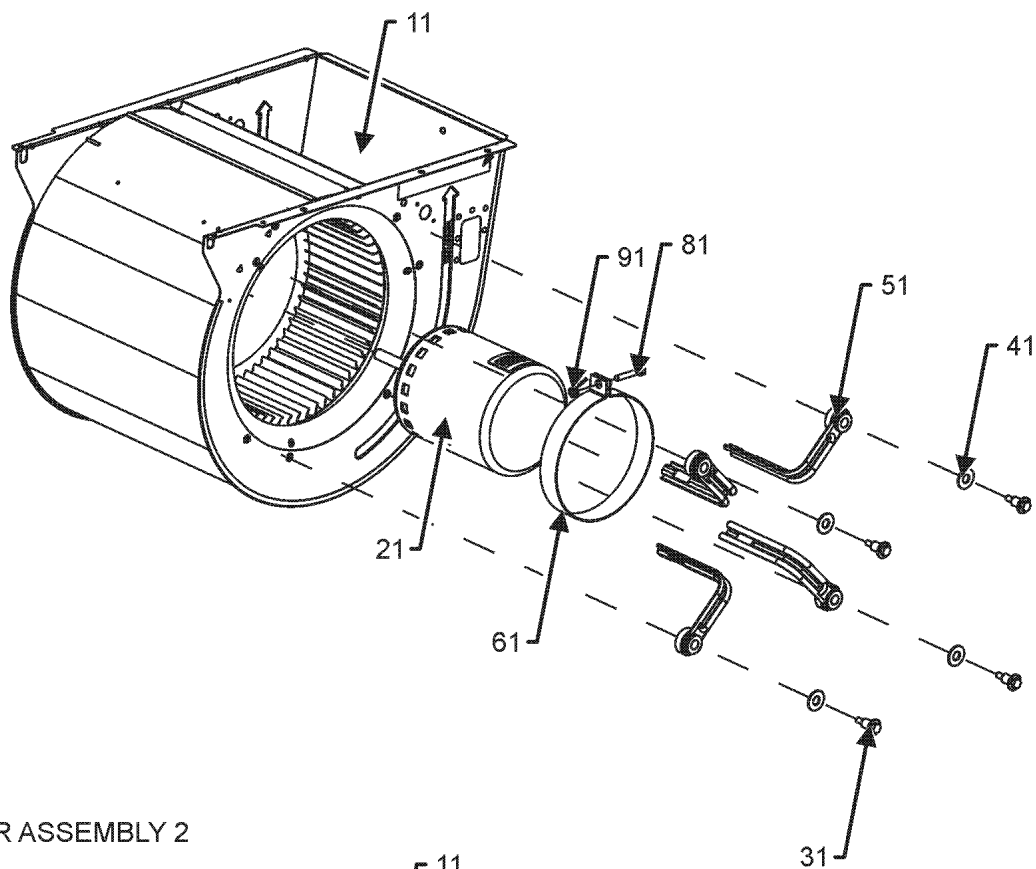
Expanded Model Nomenclature

M1 - DBH0601D000001SAA

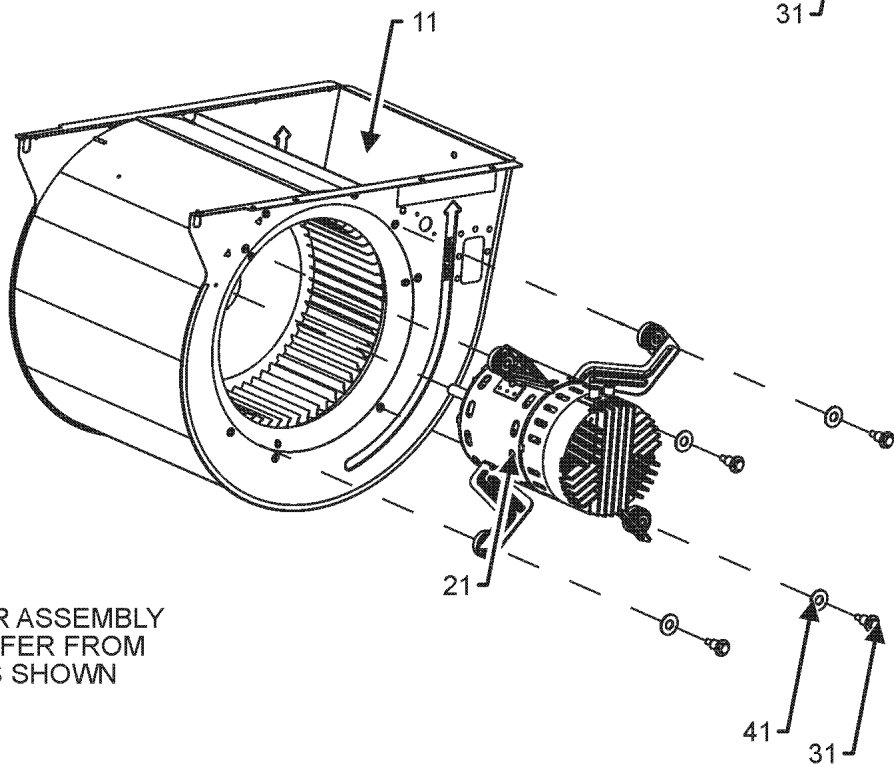
M2 - DBH0603D000001SAA

BLOWER ASSEMBLY

BLOWER ASSEMBLY 1



BLOWER ASSEMBLY 2



BLOWER ASSEMBLY
MAY DIFFER FROM
WHAT IS SHOWN

BLOWER ASSEMBLY

Ref. Part No:	No:	Description:	Ref. Part No:	No:	Description:
---------------	-----	--------------	---------------	-----	--------------

Image 1:

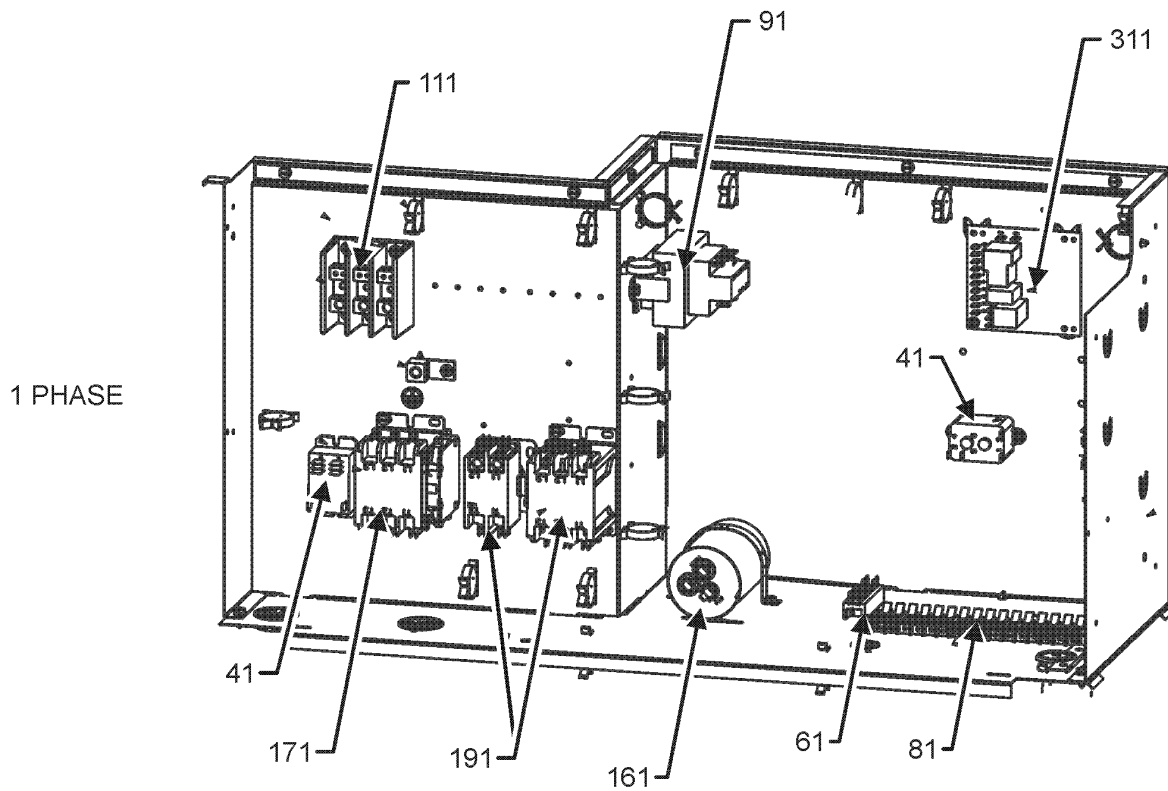
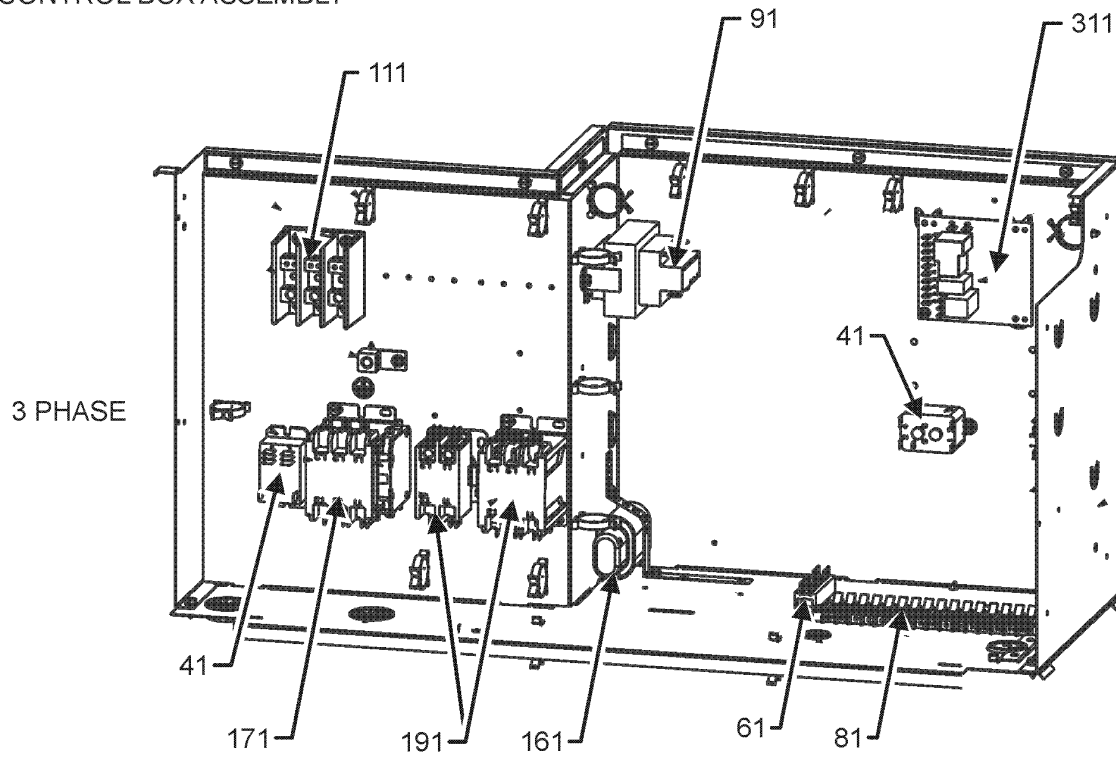
11	0271L00133	ASSY., HOUSING, BLWR
21	0131L00233	PROGRAM, MOTOR
31	M0250565	SCREW-TC 1.25" (QTY 4)
41	B1392918	WASHER, FLAT 1/4 ID X 1 OD (QTY 4)
51	0163A00008	MOTOR MOUNTING ARM (QTY 4)
61	10441601	BAND-MTR MOUNT
81	M0267144	SCREW-MACH
91	M0282015	NUT-KEPS

Expanded Model Nomenclature

M1 - DBH0601D000001SAA
M2 - DBH0603D000001SAA

CONTROL BOX ASSEMBLY

CONTROL BOX ASSEMBLY



CONTROL BOX ASSEMBLY MAY DIFFER FROM WHAT IS SHOWN

CONTROL BOX ASSEMBLY

Ref. Part No:	Part No:	Description:	Ref. Part No:	Part No:	Description:
---------------	----------	--------------	---------------	----------	--------------

Image 1:

41	0130M00178	DPDT RELAY 24 VAC (QTY 2)
61	802007090	TERM BOARD
81	0130M00038	TERMINAL BOARD
91	B1141654	TRANSFORMER,208-240,75VA,RESET
111	0130M00510	BLOCK, POWER (M1)
111	0130M00509	BLOCK,POWER (M2)
161	CAP100000370LA	CAP, 10 MFD/370V/OVAL (M2)
161	CAP100700440CT	CAP, 10/70 MFD/ 440V/ DUAL RD (M1)
171	CONT2P040024V	CONT, 2 POLE, 40 AMP, 24 VAC (M1)
171	CONT3P030024V	CONT, 3 POLE, 30 AMP, 24 VAC (M2)
191	CONT2P025024V	CONT, 2 POLE, 25 AMP, 24 VAC (QTY 2)
301	PCBDM133	PCB,DEFROST CONTROL
311	0130M00178	DPDT RELAY 24 VAC (QTY 2)
NS	B821700	BOOT, CAPACITOR (M2)
NS	0164M00079	BOOT-CAPACITOR, ROUND (M1)
NS	0130M00507	MOTOR POWER HARNESS
NS	20520901	STRAP-CAPACITOR
NS	0130M00506	X-13 LOW VOLTAGE WIRE HARNESS

Expanded Model Nomenclature

M1 - DBH0601D000001SAA

M2 - DBH0603D000001SAA

ACCESSORY PARTS LIST

NOTE: NOT ALL OPTIONS AVAILABLE FOR ALL PRODUCTS

FOR ACCESSORY PARTS SEE THE FOLLOWING PART MANUAL

RP-FIOPSC

ACCESSORY PARTS

Ref. Part

No: No:

Description:

Ref. Part

No: No:

Description:

Image 1:

NS RP-FIOPSC* ACCESSORY RP MANUAL

Expanded Model Nomenclature

M1 - DBH0601D000001SAA

M2 - DBH0603D000001SAA