
Commercial 25 Ton DDC Control 2-Speed High Static Package Gas Unit

DBG3003VDDCAA
DBG3004VDDCAA
DBG3007VDDCAA



This manual is to be used by qualified technicians only.

Important Information

Index

| | |
|------------------------------|--------|
| Functional Parts List | 3 |
| Illustration and Parts | 4 - 21 |

Views shown are for parts illustrations only, not servicing procedures

Text Codes:

AR - As Required

NA - Not Available

NS - Not Shown

00000000 - See Note

QTY - Quantity Example (QTY 3) (If Quantity not shown, Quantity = 1)

M - Model Example (M1) (If M Code not shown, then part is used on all Models)

Expanded Model Nomenclature:

| |
|---|
| Example M1 - Model#1 M2 - Model#2 M3 - Model#3 |
|---|

Daikin Company, L.P. is not responsible for personal injury or property damage resulting from improper service. Review all service information before beginning repairs.

Warranty service must be performed by an authorized technician, using authorized factory parts. If service is required after the warranty expires, Daikin Company, L.P. also recommends contacting an authorized technician and using authorized factory parts.

Daikin Company, L.P. reserves the right to discontinue, or change at any time, specifications or designs without notice or without incurring obligations.

For assistance within the U.S.A. contact:

Equipment Support
Daikin North America, LLC
19001 Kermier Road
Waller, Texas 77484
855-770-5678-Telephone
713-863-2382-Facsimile

For assistance outside the U.S.A. contact:

International Division
Daikin North America, LLC
19001 Kermier Road
Waller, Texas 77484
713-861-2500-Telephone
713-863-2382-Facsimile

Functional Parts

Part

No: Description:

| | |
|----------------|---------------------------------------|
| 0163L00000 | BECKETT BURNER (QTY 8) |
| ZP137KCETFD155 | COMP, 135,000, 460/60/3 (M2) |
| ZP137KCETFE155 | COMP, 136,000, 575/60/3 (M3) |
| ZP137KCETF5250 | COMP, 137000, 200/230/60/3 (M1) |
| CONT3P050024V | CONT 3 POLE 50 AMP 24 VAC (M1) |
| 0130L00020 | CRANK CASE HEATER, 90W, 240V (M1) |
| 0130L00021 | CRANK CASE HEATER, 90W, 480V (M2) |
| 0130L00022 | CRANK CASE HEATER, 90W, 575V (M3) |
| 0130M00074 | CUT-OUT SWITCH, HIGH PRESSURE (QTY 2) |
| 0130M00087 | CUT-OUT SWITCH, LOW PRESSURE (QTY 2) |
| 0130M00579 | DDC CONTROLLER 39IO |
| 0130M00178 | DPDT RELAY 24 VAC |
| 0130L00228 | DUCT TEMPERATURE SENSOR |
| 0164L00013 | FAN BELT-NOTCHED |
| 0130F00010 | FLAME SENSOR |
| 0130L00102 | FUSE J CLASS (QTY 3) |
| 0130L00101 | FUSE J CLASS (QTY 3) |
| 20261709 | IGNITOR |
| 0130M00064 | LIMIT |
| 10123529 | MANUAL RESET LIMIT |
| 0131L00032 | MOTOR, 7.5 HP BELT DRIVE 230V (M1) |
| 0131L00033 | MOTOR, 7.5 HP BELT DRIVE 460V (M2) |
| 0131L00034 | MOTOR, 7.5 HP BELT DRIVE 575V (M3) |
| 0130L00227 | OUTDOOR AIR TEMPERATURE SENSOR |
| PCBAG123 | PCB IGNITION DSI INTEG |
| 11112501 | PRESSURE SWITCH |
| 0130M00063 | PRIMARY LIMIT - GOLD 140 |
| 0130L00252 | PROGRAM APP CONTROLLER DDC |
| 10135604 | RELAY |
| 0130M00025 | RELAY SPDT |
| 0130M00264 | RELAY THERMISTOR |
| 0130M00263 | RELAY THERMISTOR (QTY 2) |
| 0130L00226 | SPACE TEMPERATURE SENSOR |
| 0130M00596 | TRANSFMR, 150VA, 480V TO 23 (M2) |
| 0130M00597 | TRANSFMR, 150VA, 575V TO 230V (M3) |
| 0130M00598 | TRANSFMR, 75VA, 575V TO 24V (M3) |
| 0130L00205 | TRANSFORMER (M1) |
| 0130L00206 | TRANSFORMER (M2) |
| 0130M00594 | TRANSFORMER (M1) |
| 0130L00207 | TRANSFORMER (M3) |
| 0130M00595 | TRANSFORMER, 75VA, 480V TO 24V (M2) |
| 0151M00015 | VALVE, GAS (HW) VR83 |

Expanded Model Nomenclature

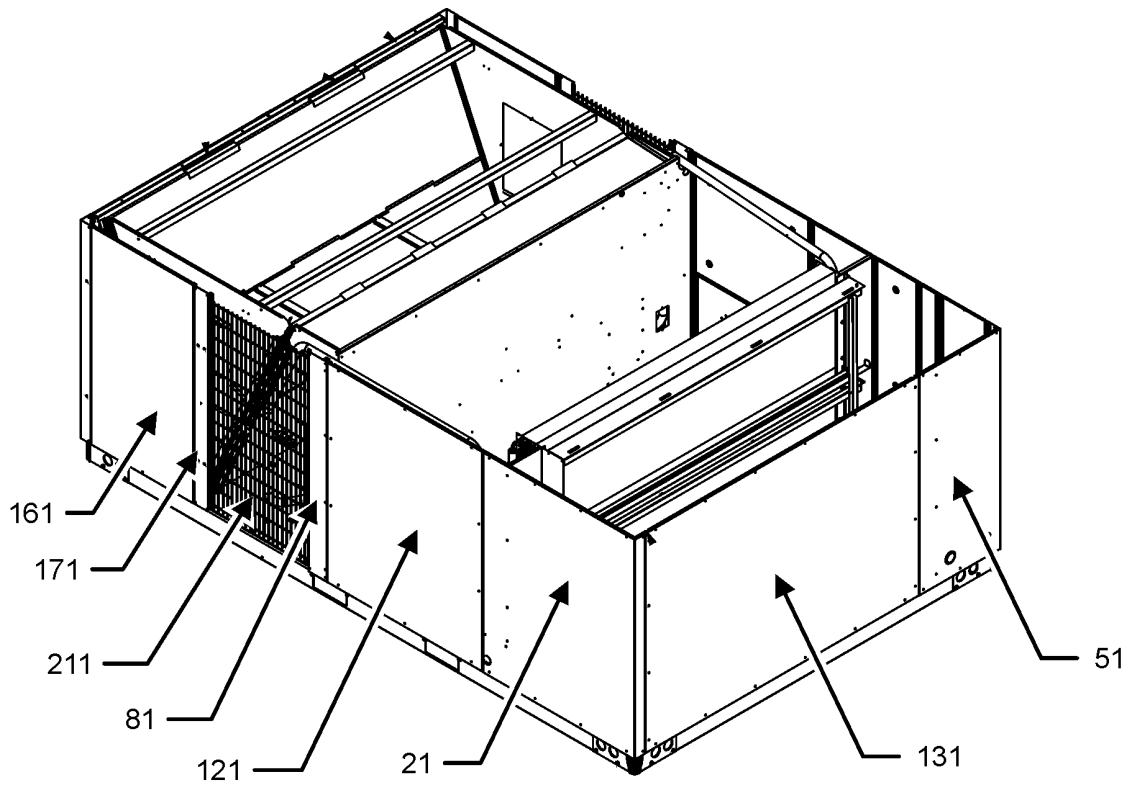
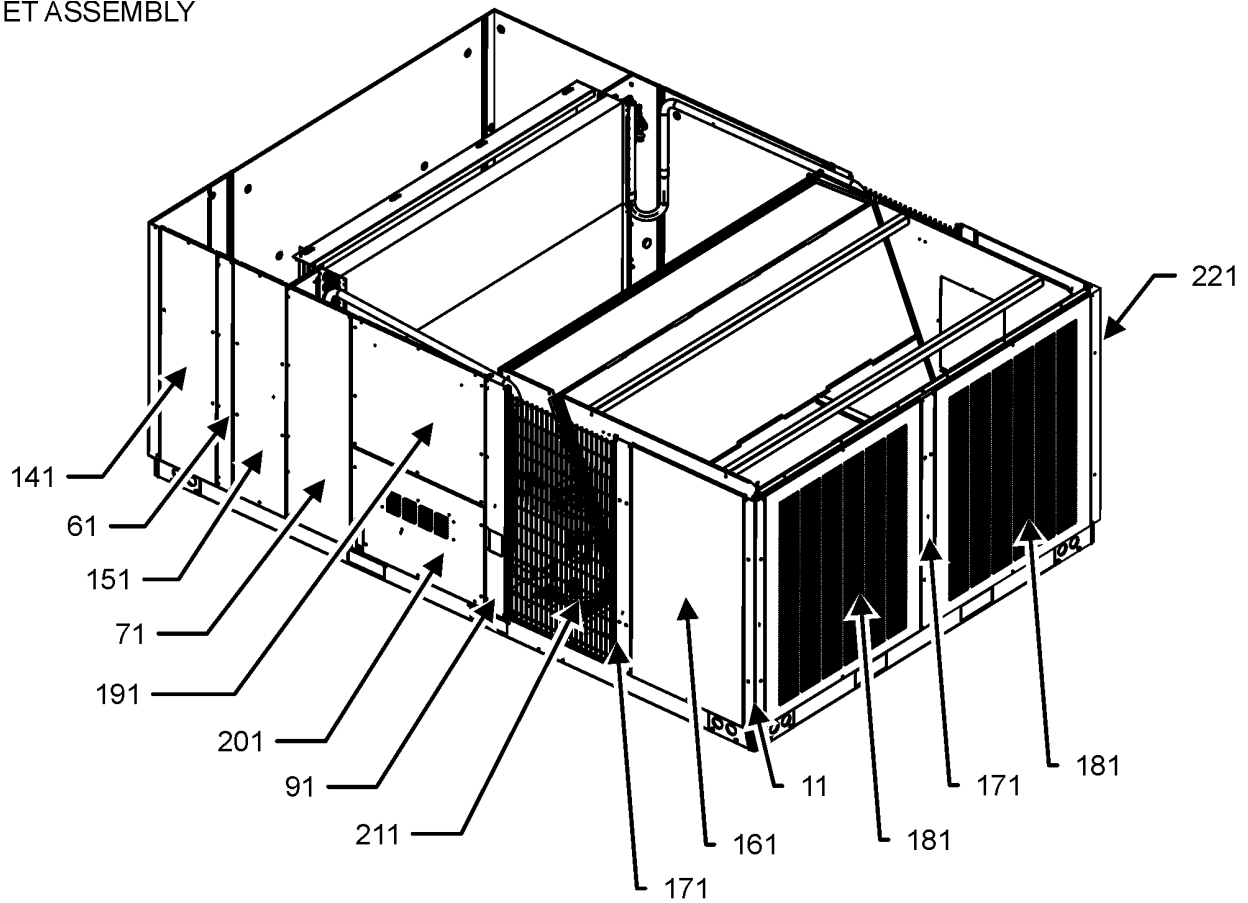
| |
|--------------------|
| M1 - DBG3003VDDCAA |
| M2 - DBG3004VDDCAA |
| M3 - DBG3007VDDCAA |

SPECIAL PARTS

| | |
|------------|--------------------------------|
| RP-FIOPLC* | ACCESSORY PART MANUAL |
| BDG-ILINQA | DAIKIN ILINQ BACNET DES GUIDE |
| QSG-ILINQA | DAIKIN ILINQ QUICK START GUIDE |
| UM-ILINQA | DAIKIN ILINQ USER MANUAL |
| RP-EHSDLC* | HEATER KIT MANUAL |
| RP-EHSBLC* | HEATER KIT MANUAL |
| RP-EHXDLC* | HEATER KIT MANUAL |
| RP-EHXBLC* | HEATER KIT MANUAL |

Cabinet Assembly

CABINET ASSEMBLY



Cabinet Assembly

| Ref. Part No: | No: | Description: | Ref. Part No: | No: | Description: |
|---------------|-----|--------------|---------------|-----|--------------|
|---------------|-----|--------------|---------------|-----|--------------|

Image 1:

| | | | | | |
|-----|--------------|--------------------------------|--|--|--|
| 11 | 0121L01143SB | CORNER POST (QTY 2) | | | |
| 21 | 0121L00681SB | EVAP PANEL | | | |
| 51 | 0121L00679SB | CONTROL CORNER PANEL | | | |
| 61 | 0121L02048SB | CONTROL/FILTER POST | | | |
| 71 | 0121L00710SB | BLOWER DOOR POST | | | |
| 81 | 0121L00903SB | POST-PARTITION, EVAP SIDE | | | |
| 91 | 0121L00904SB | POST-PARTITION, GAS FLUE | | | |
| 121 | 0121L00685SB | BLOWER DOOR, EVAP SIDE | | | |
| 131 | 0121L00688SB | ACCESSORY PANEL | | | |
| 141 | 0121L00687SB | PNT, DOOR-CONTROL | | | |
| 151 | 0121L00686SB | FILTER DOOR | | | |
| 161 | 0121L00907SB | PANEL-CONDENSER SIDE (QTY 2) | | | |
| 171 | 0121L01144SB | POST, COND PANEL (QTY 3) | | | |
| 181 | 0121L01174SB | PANEL-LOUVER, END (QTY 2) | | | |
| 191 | 0121L00713SB | BLOWER DOOR GAS | | | |
| 201 | 0121L00712SB | BURNER DOOR | | | |
| 211 | 0152L00000 | GRILLE-CONDENSER (QTY 2) | | | |
| 221 | 0121L00476SB | PNT, TURNBUCKLE, DOOR (QTY 16) | | | |
| NS | 0164G00004 | GROMMET-HORSESHOE 1.75 (QTY 2) | | | |
| NS | 0121L00562SB | PNT, HOOD-COMBUSTION AIR | | | |
| NS | M0204317 | SCREW-MACH (QTY 16) | | | |

Expanded Model Nomenclature

| |
|--------------------|
| M1 - DBG3003VDDCAA |
| M2 - DBG3004VDDCAA |
| M3 - DBG3007VDDCAA |

Top Panel Assembly

| Ref. Part No: | No: | Description: | Ref. Part No: | No: | Description: |
|---------------|-----|--------------|---------------|-----|--------------|
|---------------|-----|--------------|---------------|-----|--------------|

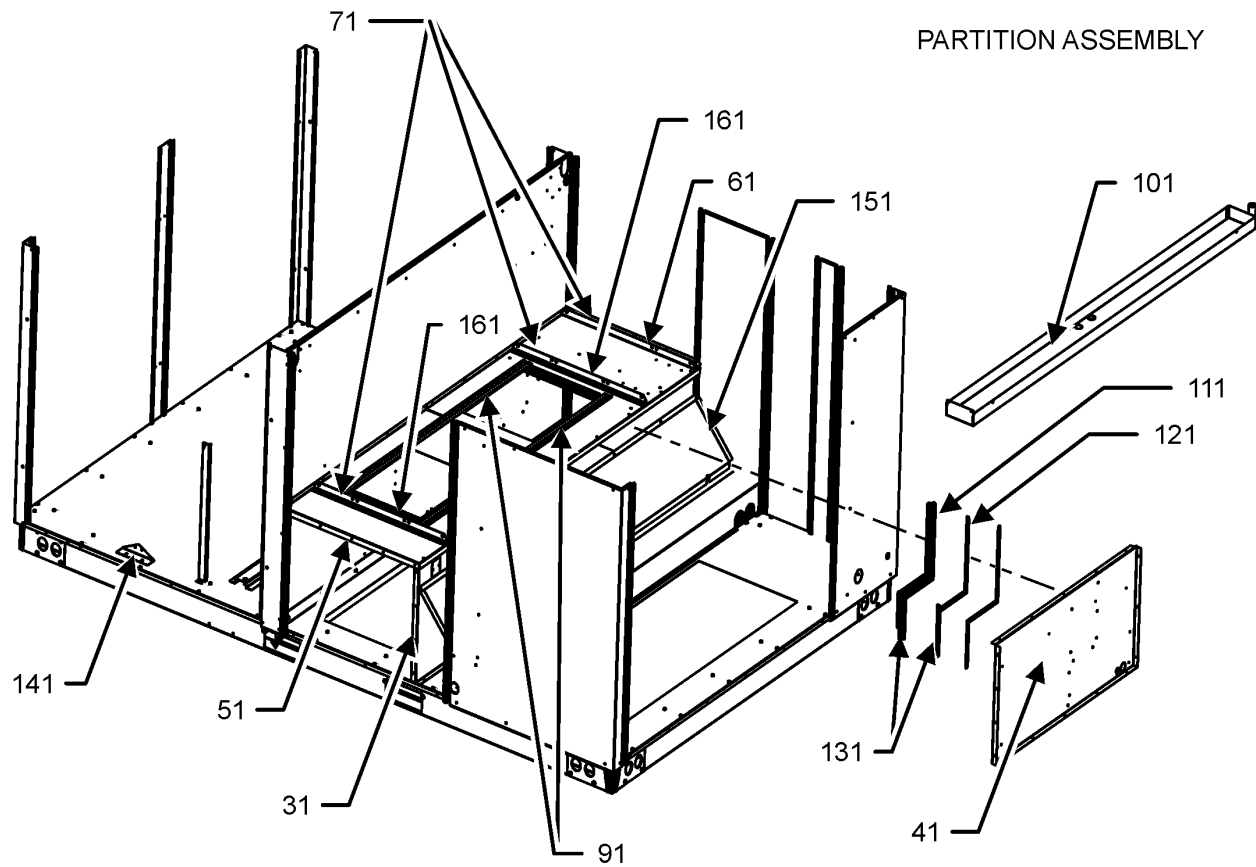
Image 1:

| | | |
|-----|--------------|--------------------------------------|
| 11 | 0121L01151SB | FAN PANEL 30" (QTY 2) |
| 21 | 0152L00003 | FAN GRILLE (QTY 2) |
| 31 | 0150M00044 | FAN BLADE (QTY 2) |
| 41 | 0131M00697 | MOTOR, COND (M1, M2) |
| 41 | 0131M00721 | MOTOR, COND 575 V (M3) |
| 51 | 0163L00080 | MOTOR MOUNT (QTY 2) |
| 61 | 0163M00097 | WASHERED SCREW (QTY 8) |
| 71 | 0163L00082 | MOTOR CLAMP BAND (QTY 2) |
| 81 | B1393726 | ELECT. CONNECTING BUSHING (QTY 2) |
| 91 | 0259L00219 | POWER HARNESS, CM PIGTAIL (QTY 2) |
| 111 | B1392912 | FLAT WASHER 3/8 ID X 7/8 OD (QTY 16) |
| 141 | 0163M00275 | CARRIAGE BOLT (QTY 4) |
| 181 | 0121L01081SB | TOP, FAN C1 |
| 191 | 0121L01094SB | TOP, FAN C2 |
| 211 | 0121L00693SB | TOP ASSY, CONTROL SIDE |
| 221 | 0121L00694SB | TOP ASSY, EVAP SIDE |
| NS | 0163M00084 | HEX LOCKNUT, NYLON INSERT (QTY 12) |

Expanded Model Nomenclature

| |
|--------------------|
| M1 - DBG3003VDDCAA |
| M2 - DBG3004VDDCAA |
| M3 - DBG3007VDDCAA |

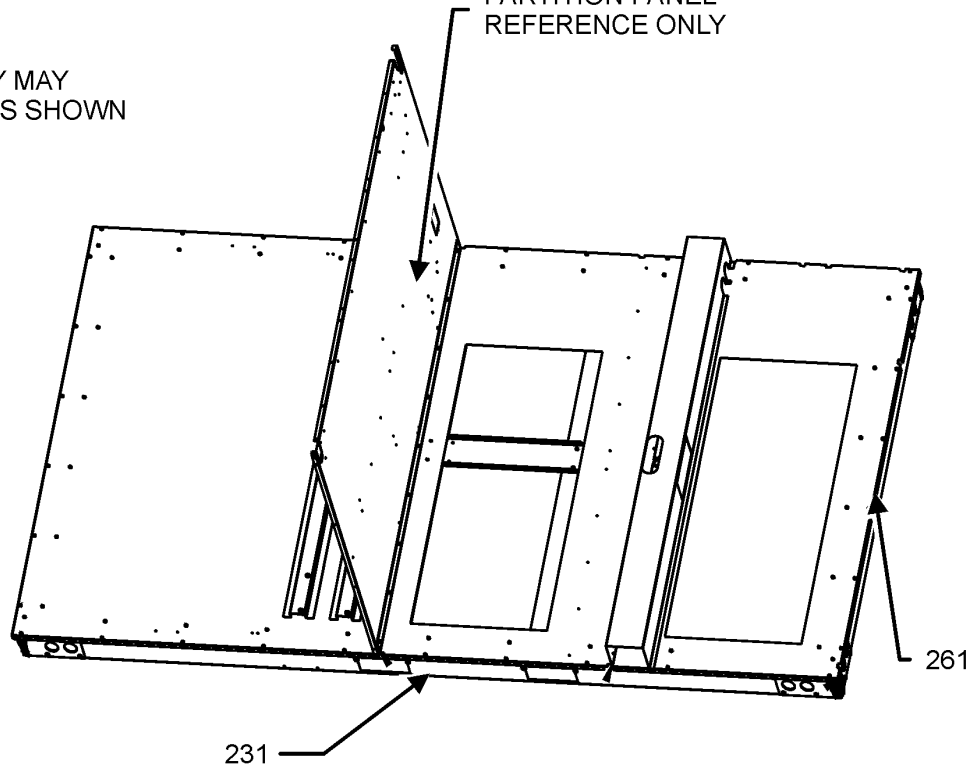
Partition and Base Pan Assembly



PARTITION ASSEMBLY MAY DIFFER FROM WHAT IS SHOWN

PARTITION PANEL REFERENCE ONLY

BASE PAN ASSEMBLY



Partition and Base Pan Assembly

| Ref. Part No: | Part No: | Description: | Ref. Part No: | Part No: | Description: |
|---------------|----------|--------------|---------------|----------|--------------|
|---------------|----------|--------------|---------------|----------|--------------|

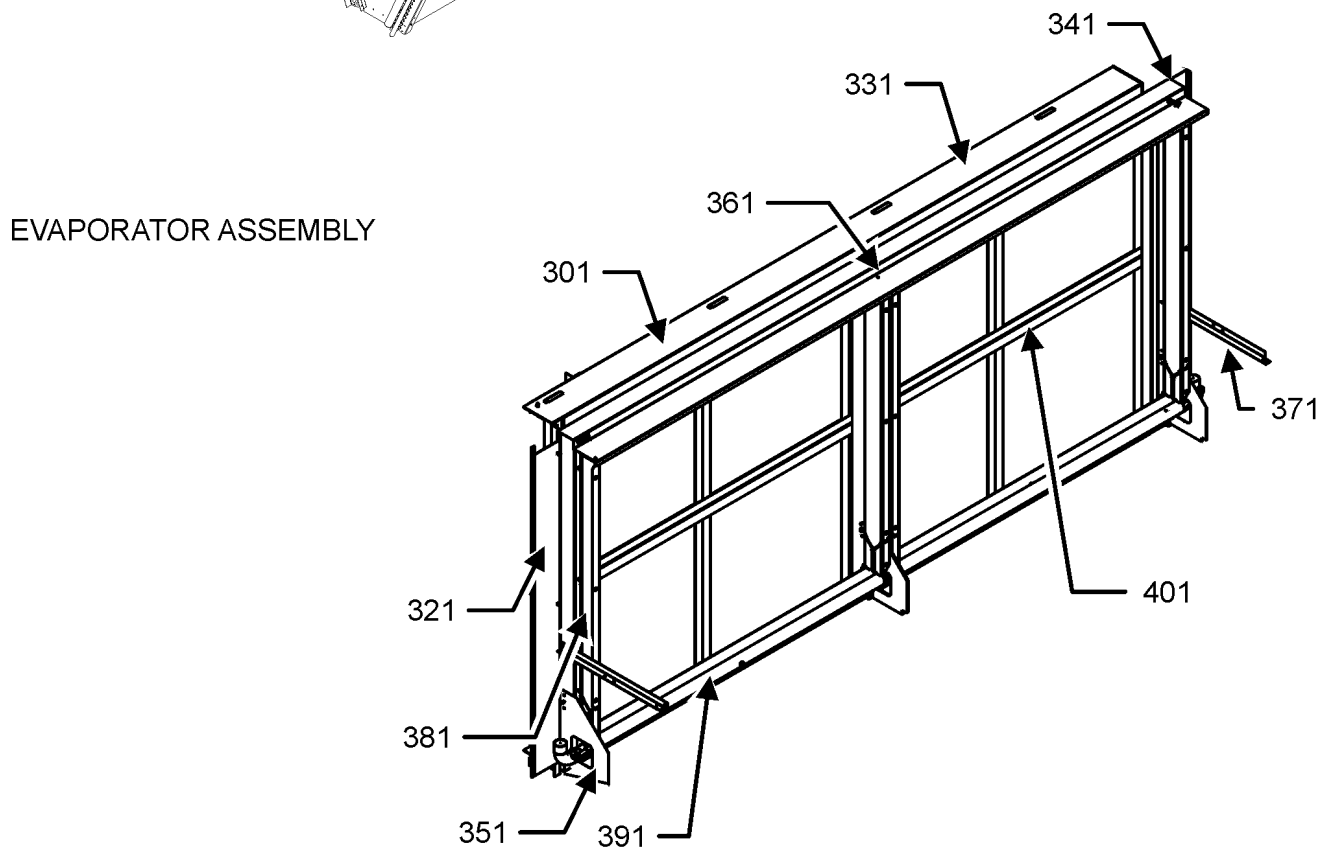
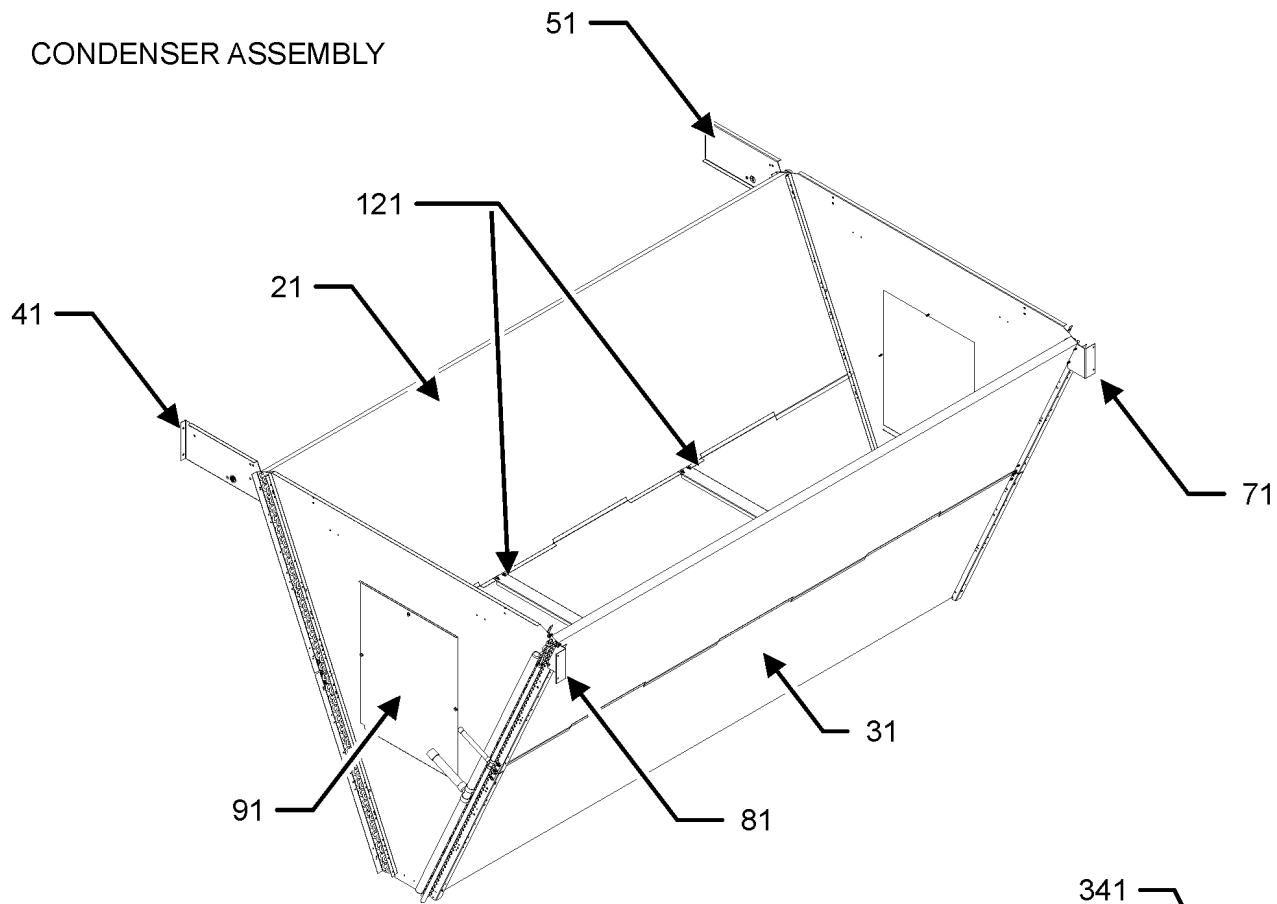
Image 1:

| | | |
|-----|--------------|------------------------------------|
| 31 | 0121L01163 | DECK, SIDE DUCT END |
| 41 | 0121L01162 | DECK, SIDE HEAT END |
| 51 | 0121L01160 | BLOWER DECK, EVAP SIDE |
| 61 | 0121L01061 | BLOWER DECK, MOTOR SIDE |
| 71 | 0121L01431 | MOTOR MOUNT ANGLE (QTY 3) |
| 91 | 0121L00478 | BLOWER DECK RAIL (QTY 2) |
| 101 | 0270L00612DG | DRAIN PAN |
| 111 | 0121L00551 | HEAT EXCHANGER ANGLE, RH SIDE |
| 121 | 0121L00552 | HEAT EXCHANGER ANGLE, LH SIDE |
| 131 | 0121L00553 | LOWER HEAT EXCHANGER ANGLE (QTY 2) |
| 141 | 0121L00913 | BRACKET-COND/BASEPAN (QTY 2) |
| 151 | 0121L01158 | SHIELD, BLOWOFF |
| 161 | 0121L00481 | BLOWER RAIL (QTY 2) |
| 231 | 0121L00720 | SIDE RAIL |
| 261 | 0121L00722 | BASE RAIL, ACCESSORY END |
| NS | 0121L00723 | BASE RAIL CORNER BRACE (QTY 4) |
| NS | 0121L00721 | BASE RAIL, CONDENSER END (QTY 2) |
| NS | 0121L00625 | BRACKET-COMPRESSOR RAIL (QTY 4) |
| NS | 0121L00724 | BRACKET-FORK BOARD (QTY 4) |
| NS | 0121L00719 | CONTROL SIDE BASE RAIL |
| NS | 0141L00029 | FORK BOARD (QTY 2) |
| NS | 0121L00605 | FORK BOARD PLATE |
| NS | 0121L00321 | SMOKE DETECTOR COVER |

Expanded Model Nomenclature

| |
|--------------------|
| M1 - DBG3003VDDCAA |
| M2 - DBG3004VDDCAA |
| M3 - DBG3007VDDCAA |

Condenser and Evaporator Assembly



Condenser and Evaporator Assembly

| Ref. Part No: | Part No: | Description: | Ref. Part No: | Part No: | Description: |
|---------------|----------|--------------|---------------|----------|--------------|
|---------------|----------|--------------|---------------|----------|--------------|

Image 1:

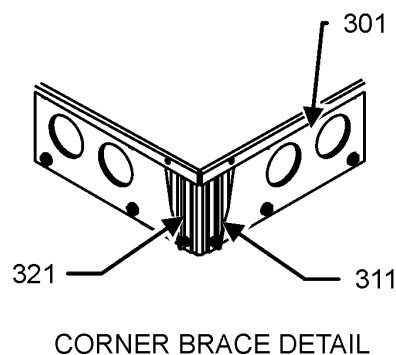
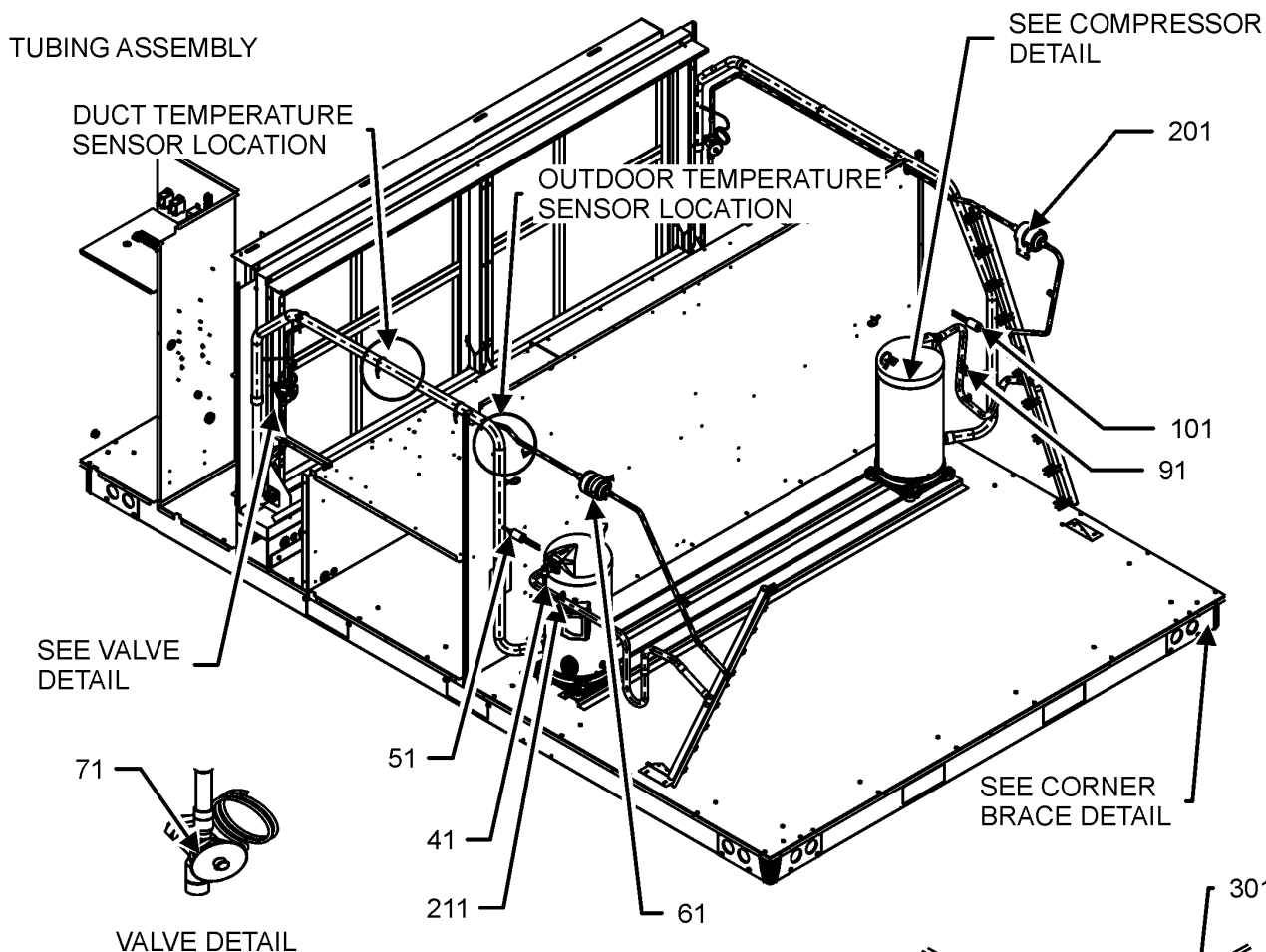
| | | |
|-----|------------|-----------------------------------|
| 21 | 0201L00151 | CONDENSER COIL ASSY C1 |
| 31 | 0201L00152 | CONDENSER COIL ASSY C2 |
| 41 | 0121L01154 | BRACKET, CONDENSER END C1 |
| 51 | 0121L01156 | BRACKET, CONDENSER END C2 |
| 71 | 0121L01153 | BRACKET, COND/POST C2 |
| 81 | 0121L01155 | BRACKET, COND/POST C1 |
| 91 | 0121L00910 | COVER-COIL CLEANING (QTY 2) |
| 121 | 0121L00901 | BRACE-COND COILS (QTY 2) |
| 301 | 0202L00102 | EVAP COIL ASSY C1 |
| 321 | 0121L01086 | EVAP BLOCKOFF, RIGHT |
| 331 | 0202L00103 | EVAP COIL ASSY C2 |
| 341 | 0121L01085 | EVAP BLOCKOFF, LEFT |
| 351 | 0121L01133 | END SUPPORT PLATE (QTY 2) |
| 361 | 0121L01188 | TOP FILTER RACK |
| 371 | 0121L02259 | EVAP COIL SUPPORT BRACKET (QTY 2) |
| 381 | 0121L01184 | ANGLE, FILTER RACK |
| 391 | 0121L01187 | BOTTOM FILTER RACK |
| 401 | 0270L00614 | CENTER FILTER RACK |
| NS | 0160L00136 | Air Filter 20x20x2 (QTY 8) |
| NS | 0121L01178 | ANGLED FILTER SLIDER (QTY 4) |
| NS | 0121L01139 | BOTTOM BLOCKOFF, FILTER RACK |
| NS | 0121L01137 | FILTER PULL (QTY 2) |
| NS | 0121L01089 | MIDDLE EVAP BLOCKOFF, LEFT |
| NS | 0121L01088 | MIDDLE EVAP BLOCKOFF, RIGHT |
| NS | 0121L04205 | SUPPORT ANGLE-FILTER |

Expanded Model Nomenclature

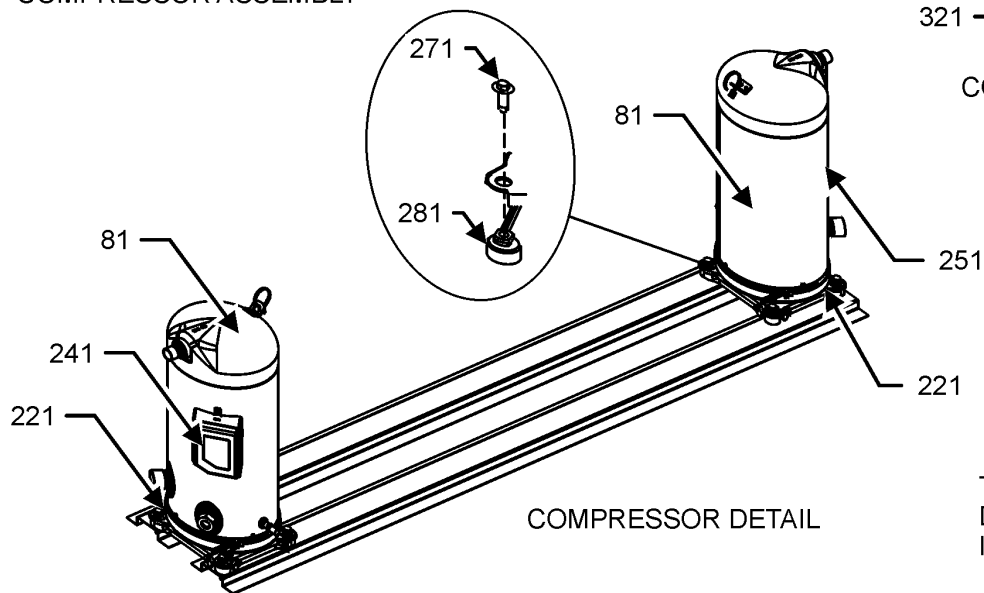
| |
|--------------------|
| M1 - DBG3003VDDCAA |
| M2 - DBG3004VDDCAA |
| M3 - DBG3007VDDCAA |

Tubing and Copmressor Assembly

TUBING ASSEMBLY



COMPRESSOR ASSEMBLY



COMPRESSOR DETAIL

TUBING ASSEMBLY MAY DIFFER FROM WHAT IS SHOWN

Tubing and Copmpressor Assembly

| Ref. Part No: No: | Description: | Ref. Part No: No: | Description: |
|-------------------|--------------|-------------------|--------------|
|-------------------|--------------|-------------------|--------------|

Image 1:

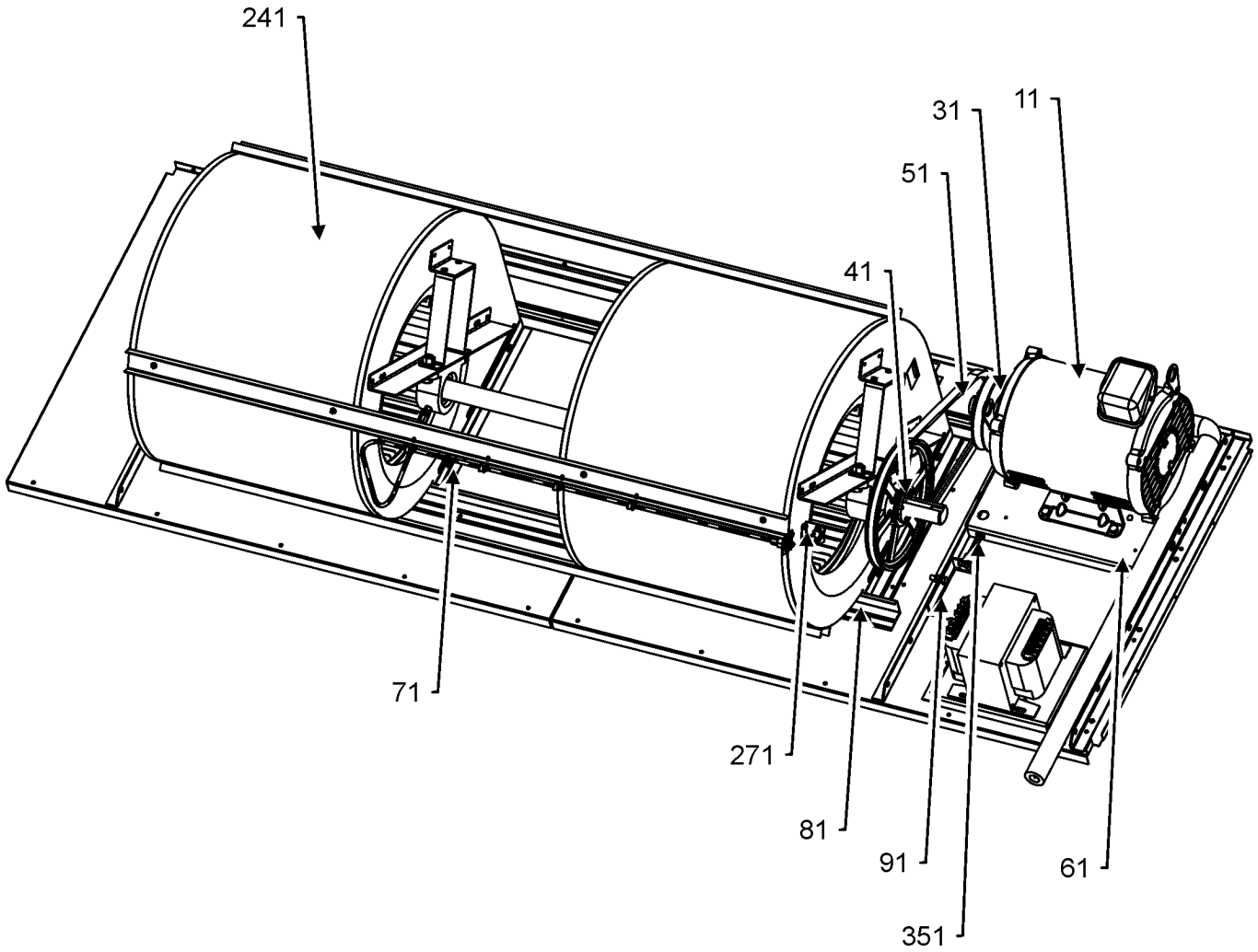
| | | |
|-----|----------------|------------------------------------|
| 41 | 0130M00074 | CUT-OUT SWITCH, HIGH PRESSURE |
| 51 | 0130M00087 | CUT-OUT SWITCH, LOW PRESSURE |
| 61 | 0162L00025 | FILTER DRIER |
| 71 | 0210L00470 | TXV WELDMENT (QTY 2) |
| 81 | ZP137KCETFD155 | COMP, 135,000, 460/60/3 (M2) |
| 81 | ZP137KCETFE155 | COMP, 136,000, 575/60/3 (M3) |
| 81 | ZP137KCETF5250 | COMP, 137000, 200/230/60/3 (M1) |
| 91 | 0130M00074 | CUT-OUT SWITCH, HIGH PRESSURE |
| 101 | 0130M00087 | CUT-OUT SWITCH, LOW PRESSURE |
| 201 | 0162L00025 | FILTER DRIER |
| 211 | B1787000 | VALVE CORE C/CL/CU/CP (QTY 2) |
| 221 | 0130L00020 | CRANK CASE HEATER, 90W, 240V (M1) |
| 221 | 0130L00021 | CRANK CASE HEATER, 90W, 480V (M2) |
| 221 | 0130L00022 | CRANK CASE HEATER, 90W, 575V (M3) |
| 241 | 0159L00061 | COMPRESSOR SCROLL HARNESS (M1) |
| 241 | 0159L00063 | COMPRESSOR SCROLL HARNESS (M2, M3) |
| 251 | 0159L00062 | COMPRESSOR SCROLL HARNESS (M1) |
| 251 | 0159L00064 | COMPRESSOR SCROLL HARNESS (M2, M3) |
| 261 | 0164M00018 | GROMMET, COMPRESSOR (QTY 8) |
| 271 | B1393740 | COMP BOLT & SLEEVE (QTY 8) |
| 301 | 0121L00723 | BRACE-CORNER RAILS (QTY 4) |
| 311 | 0121L00616 | ANGLE-RAIL BRACE, RIGHT (QTY 4) |
| 321 | 0121L00617 | ANGLE-RAIL BRACE, LEFT (QTY 4) |
| NS | 0163M00175 | CAP WITH O-RING (QTY 6) |
| NS | 0130L00228 | DUCT TEMPERATURE SENSOR |
| NS | 0130L00227 | OUTDOOR AIR TEMPERATURE SENSOR |

Expanded Model Nomenclature

| |
|--------------------|
| M1 - DBG3003VDDCAA |
| M2 - DBG3004VDDCAA |
| M3 - DBG3007VDDCAA |

Blower Assembly

BLOWER ASSEMBLY



BLOWER ASSEMBLY MAY DIFFER FROM WHAT IS SHOWN

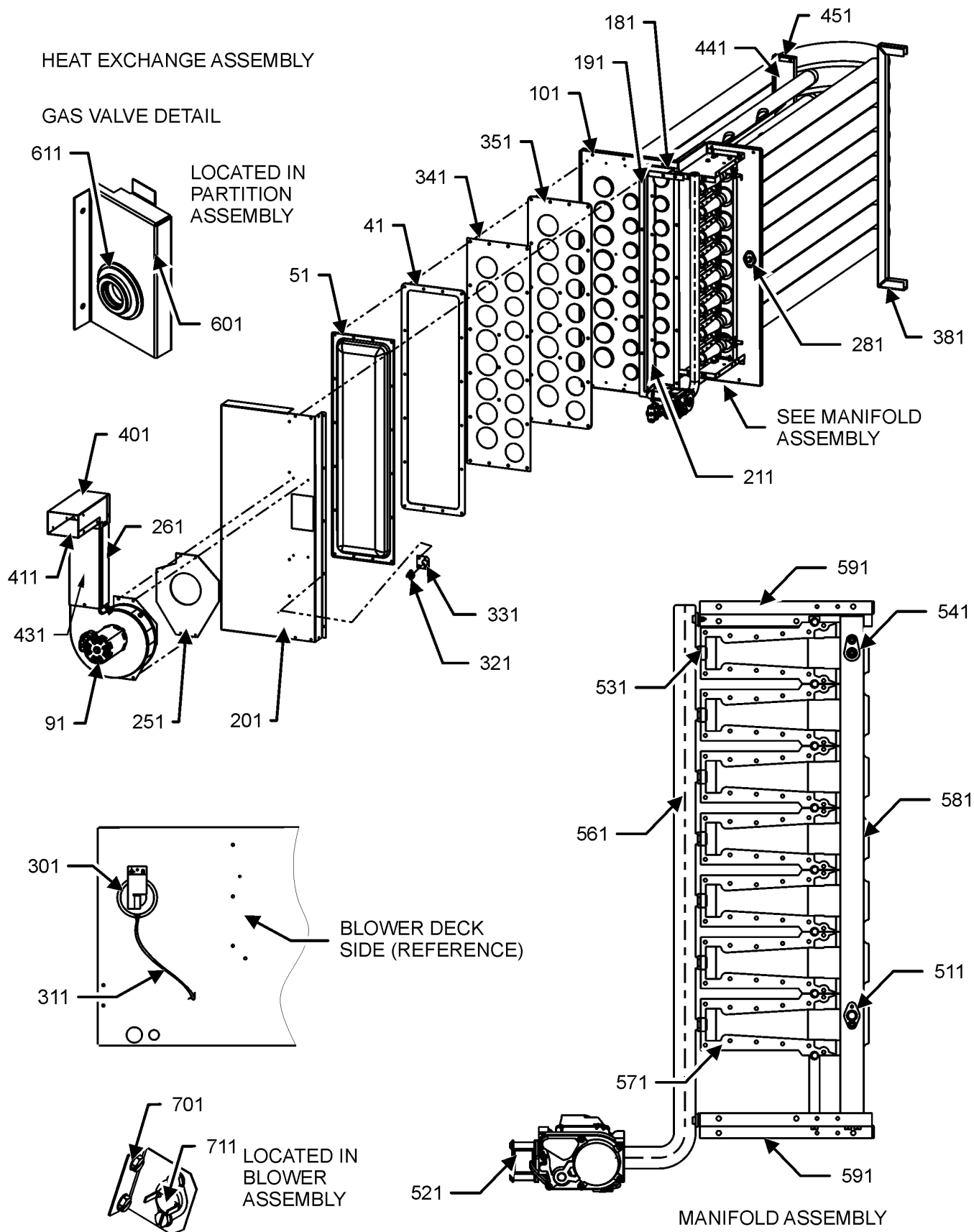
Blower Assembly

| Ref. Part No: | No: | Description: | Ref. Part No: | No: | Description: |
|-----------------|------------|------------------------------------|---------------|-----|--------------|
| Image 1: | | | | | |
| 11 | 0131L00032 | MOTOR, 7.5 HP BELT DRIVE 230V (M1) | | | |
| 11 | 0131L00033 | MOTOR, 7.5 HP BELT DRIVE 460V (M2) | | | |
| 11 | 0131L00034 | MOTOR, 7.5 HP BELT DRIVE 575V (M3) | | | |
| 31 | 0163L00068 | SHEAVE-VARIABLE PITCH | | | |
| 41 | 0163L00141 | SHEAVE, FIXED BK110H | | | |
| 51 | 0164L00013 | FAN BELT-NOTCHED | | | |
| 61 | 0121L01430 | BASE, MOTOR | | | |
| 71 | 0121L00482 | BLOWER SIDE ANGLE (QTY 4) | | | |
| 81 | 0121L00479 | RAIL-BLOWER (QTY 2) | | | |
| 91 | 0121L01429 | BRACKET, DRIVE SCREW | | | |
| 241 | 04-01542 | BLOWER HOUSING | | | |
| 271 | 0121L00053 | BRACKET FLAME ROLLOUT | | | |
| 351 | 0163M00351 | BOLT, 3/8-16-6 | | | |
| NS | 0163M00352 | 3/8-16 JAM NUT | | | |
| NS | 04-02197 | BEARING&FRAME ASSY | | | |
| NS | 04-11552 | BLOWER SHAFT | | | |
| NS | 04-78499 | BLOWER WHEEL | | | |
| NS | 0163M00084 | HEX LOCKNUT, NYLON INSERT | | | |
| NS | 0163M00085 | WASHER (QTY 4) | | | |
| NS | B1392923 | WASHER / FLAT (QTY 3) | | | |

Expanded Model Nomenclature

| |
|--------------------|
| M1 - DBG3003VDDCAA |
| M2 - DBG3004VDDCAA |
| M3 - DBG3007VDDCAA |

Heat Exchange Assembly



Heat Exchange Assembly

| Ref. Part No: | Part No: | Description: | Ref. Part No: | Part No: | Description: |
|-----------------|------------|--------------------------------|---------------|----------|--------------|
| Image 1: | | | | | |
| 41 | 0154L00025 | GASKET-COVER REAR 8 | | | |
| 51 | 0121L00545 | COVER-REAR 8 TUBE | | | |
| 91 | 0131L00014 | MOTOR-ID VENT | | | |
| 101 | 0270L00186 | PARTITION TUBE ASSY 8B | | | |
| 181 | 0154L00026 | GASKET INNER COLLECTOR BOX | | | |
| 191 | 0154L00027 | GASKET OUTER COLLECTOR BOX | | | |
| 201 | 0121L00550 | COVER-COLLECTOR BOX 8 | | | |
| 211 | 0121L00546 | CHANNEL-COLLECTOR BOX 8 | | | |
| 251 | 0154L00029 | GASKET COMBUSTION BLOWER | | | |
| 261 | 0121L00668 | FLUE WRAPPER, BACK | | | |
| 281 | 0130M00063 | PRIMARY LIMIT - GOLD 140 | | | |
| 301 | 11112501 | PRESSURE SWITCH | | | |
| 311 | A3468601 | PRESSURE SWITCH HOSE | | | |
| 321 | 10123529 | MANUAL RESET LIMIT | | | |
| 331 | 0121L00053 | FLAME ROLLOUT BRACKET | | | |
| 341 | 0121L00548 | PLATE-TUBE PANEL 8 | | | |
| 351 | 0154L00028 | GASKET-TUBE PANEL 8 | | | |
| 381 | 0121L00930 | SUPPORT-HEAT TUBES 2.25 | | | |
| 401 | 0121L02100 | FLUE-EXIT WRAPPER | | | |
| 411 | 0121L00671 | FLUE COVER EXT | | | |
| 431 | 0121L00669 | FLUE COVER, FRONT | | | |
| 441 | 0121L00808 | SUPPORT-HEAT TUBES 2.25 | | | |
| 451 | 0121L00823 | BRACKET-TUBE SUPPORT (QTY 2) | | | |
| 511 | 20261709 | IGNITOR | | | |
| 521 | 0151M00015 | VALVE, GAS (HW) VR83 | | | |
| 531 | 0163L00014 | ORIFICE (QTY 8) | | | |
| 541 | 0130F00010 | FLAME SENSOR | | | |
| 561 | 0163L00033 | MANIFOLD-GAS 8 BURNER | | | |
| 571 | 0163L00000 | BECKETT BURNER (QTY 8) | | | |
| 581 | 0121L00635 | BRACKET-8 BURNERS | | | |
| 591 | 0121G00268 | BRACKET-BURNER TOP/BOT (QTY 2) | | | |
| 601 | 0121L00697 | BRACKET GAS VALVE PIPE | | | |
| 611 | B1910013 | 1 1/8" GROMMET | | | |
| 701 | 0121L00594 | BRACKET SECONDARY LIMIT | | | |
| 711 | 0130M00064 | LIMIT | | | |
| NS | 0163L00040 | FLUE SCREEN | | | |

Expanded Model Nomenclature

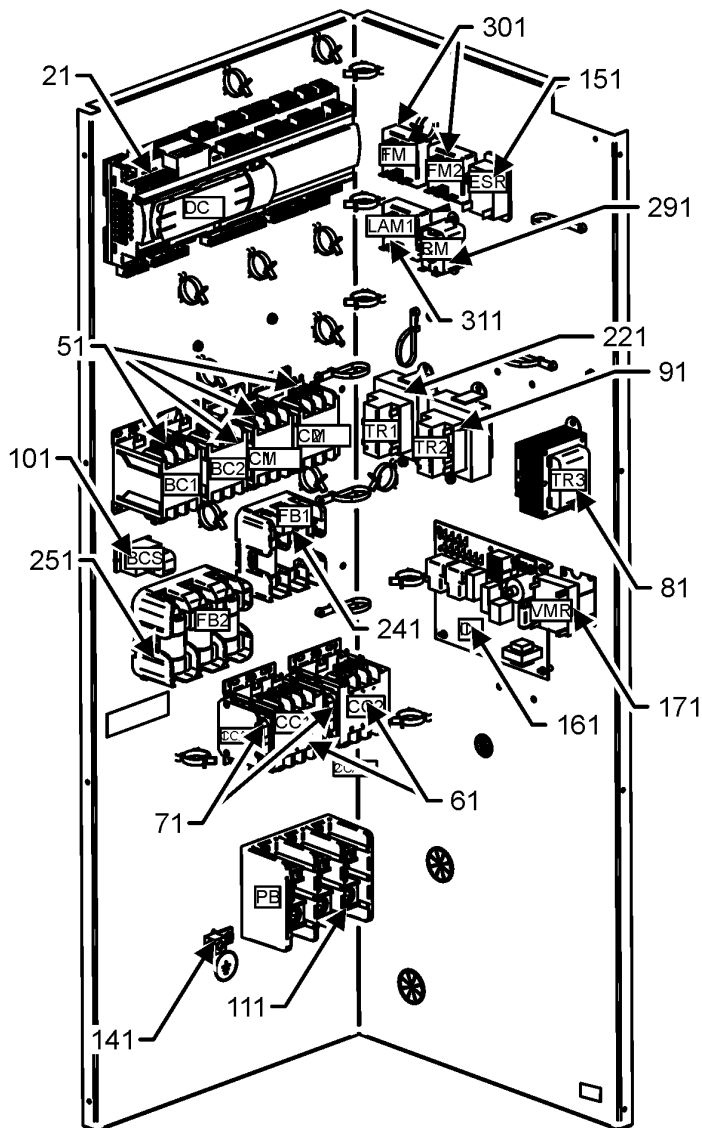
M1 - DBG3003VDDCAA

M2 - DBG3004VDDCAA

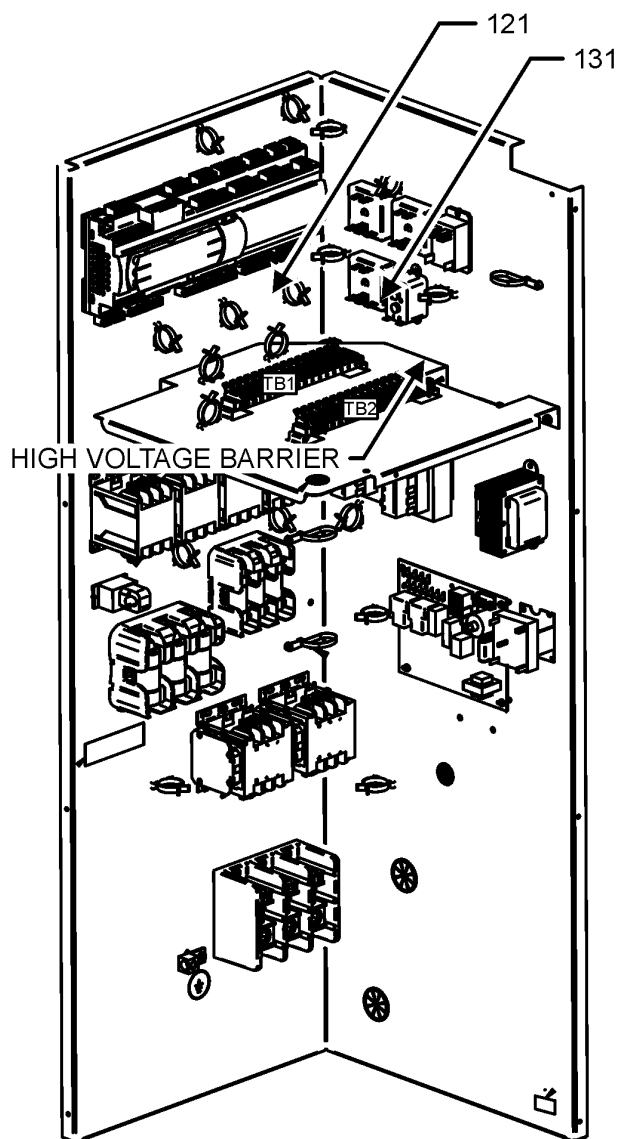
M3 - DBG3007VDDCAA

Control Box Assembly

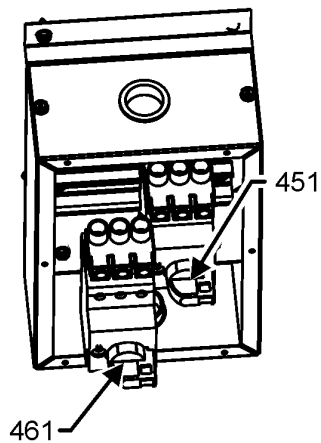
CONTROL BOX ASSEMBLY



CONTROL BOX ASSEMBLY MAY DIFFER FROM WHAT IS SHOWN



CIRCUIT BREAKER ASSEMBLY



Control Box Assembly

| Ref. Part No: | Part No: | Description: | Ref. Part No: | Part No: | Description: |
|---------------|----------|--------------|---------------|----------|--------------|
|---------------|----------|--------------|---------------|----------|--------------|

Image 1:

| | | |
|-----|---------------|--|
| 21 | 0130M00579 | DDC CONTROLLER 39IO |
| 51 | CONT3P030024V | CONT 3 POLE 30 AMP 24 VAC (QTY 4) |
| 61 | CONT3P030024V | CONT 3 POLE 30 AMP 24 VAC (M2, M3) |
| 61 | CONT3P050024V | CONT 3 POLE 50 AMP 24 VAC (M1) |
| 71 | 0130M00249 | AUXILLARY SWTCH (QTY 2) |
| 81 | 0130M00596 | TRANSFMR, 150 VA, 480V TO 23 (M2) |
| 81 | 0130M00597 | TRANSFMR, 150 VA, 575V TO 230V (M3) |
| 91 | 0130M00598 | TRANSFMR, 75VA, 575V TO 24V (M3) |
| 91 | 0130M00594 | TRANSFORMER (M1) |
| 91 | 0130M00595 | TRANSFORMER, 75VA, 480V TO 24V (M2) |
| 101 | 0259L00368 | CURRENT SWITCH WITH TERMS |
| 111 | 0130M00042 | BLOCK POWER |
| 121 | 0130M00414 | TERMINAL BOARD |
| 131 | 0130M00415 | TERMINAL BOARD |
| 141 | 0130L00005 | GROUND LUG |
| 151 | 0130M00178 | DPDT RELAY 24 VAC |
| 161 | PCBAG123 | PCB IGNITION DSI INTEG |
| 171 | 0130M00025 | RELAY SPDT |
| 221 | 0130L00205 | TRANSFORMER (M1) |
| 221 | 0130L00206 | TRANSFORMER (M2) |
| 221 | 0130L00207 | TRANSFORMER (M3) |
| 241 | 0130M00246 | FUSE BLOCK |
| 251 | 0130M00247 | FUSE BLOCK |
| 291 | 10135604 | RELAY |
| 301 | 0130M00263 | RELAY THERMISTOR (QTY 2) |
| 311 | 0130M00264 | RELAY THERMISTOR |
| 451 | 0130L00083 | ROTARY MANUAL MOTOR PROTECTOR (M2, M3) |
| 451 | 0130L00085 | ROTARY MANUAL MOTOR PROTECTOR (M1) |
| 461 | 0130L00084 | ROTARY MANUAL MOTOR PROTECTOR (M2, M3) |
| 461 | 0130L00086 | ROTARY MANUAL MOTOR PROTECTOR (M1) |
| NS | 0121L01012 | CIRCUIT BREAKER BOX |
| NS | 0121L01011 | CIRCUIT BREAKER BOX BRACKET |
| NS | 0121L01013 | CIRCUIT BREAKER BOX COVER |
| NS | 0259L00190 | CIRCUIT BREAKER HARNESS |
| NS | BDG-ILINQA | DAIKIN ILINQ BACNET DES GUIDE |
| NS | QSG-ILINQA | DAIKIN ILINQ QUICK START GUIDE |
| NS | UM-ILINQA | DAIKIN ILINQ U SER MANUAL |
| NS | 0130L00101 | FUSE J CLASS (QTY 3) |
| NS | 0130L00102 | FUSE J CLASS (QTY 3) |
| NS | 0259L00181 | HARNESS-BELT DRIVE 2 SP MOTOR |
| NS | 0130L00252 | PROGRAM APP CONTROLLER DDC |
| NS | 0130L00226 | SPACE TERMPERATURE SENSOR |

Expanded Model Nomenclature

| |
|--------------------|
| M1 - DBG3003VDDCAA |
| M2 - DBG3004VDDCAA |
| M3 - DBG3007VDDCAA |

ACCESSORY PARTS LIST

NOTE: NOT ALL OPTIONS AVAILABLE FOR ALL PRODUCTS

FOR ACCESSORY PARTS SEE THE FOLLOWING PART MANUAL

RP-FIOPLC*

RP-EHS[D/B]LC*

RP-EHX[D/B]LC*

ACCESSORY PARTS LIST

| Ref. Part No: No: | Description: | Ref. Part No: No: | Description: |
|----------------------|--------------|----------------------|--------------|
|----------------------|--------------|----------------------|--------------|

Image 1:

| | | |
|----|------------|-----------------------|
| NS | RP-FIOPLC* | ACCESSORY PART MANUAL |
| NS | RP-EHSBLC* | HEATER KIT MANUAL |
| NS | RP-EHSDLC* | HEATER KIT MANUAL |
| NS | RP-EHXBLC* | HEATER KIT MANUAL |
| NS | RP-EHXDLC* | HEATER KIT MANUAL |

Expanded Model Nomenclature

| |
|--------------------|
| M1 - DBG3003VDDCAA |
| M2 - DBG3004VDDCAA |
| M3 - DBG3007VDDCAA |