
Commercial 25 Ton 2-Speed High Static Package Gas Unit

DBG3003SAA
DBG3003VAA
DBG3003VH00001SAA
DBG3004SAA
DBG3004VAA
DBG3004VH00001SAA
DBG3007SAA
DBG3007VAA
DBG3007VH00001SAA



This manual is to be used by qualified technicians only.

Important Information

Index

Functional Parts List	3
Illustration and Parts	4 - 19

Views shown are for parts illustrations only, not servicing procedures

Text Codes:

AR - As Required

NA - Not Available

NS - Not Shown

00000000 - See Note

QTY - Quantity Example (QTY 3) (If Quantity not shown, Quantity = 1)

M - Model Example (M1) (If M Code not shown, then part is used on all Models)

Expanded Model Nomenclature:

Example M1 - Model#1 M2 - Model#2 M3 - Model#3

Daikin Company, L.P. is not responsible for personal injury or property damage resulting from improper service. Review all service information before beginning repairs.

Warranty service must be performed by an authorized technician, using authorized factory parts. If service is required after the warranty expires, Daikin Company, L.P. also recommends contacting an authorized technician and using authorized factory parts.

Daikin Company, L.P. reserves the right to discontinue, or change at any time, specifications or designs without notice or without incurring obligations.

For assistance within the U.S.A. contact:

Equipment Support
Daikin North America, LLC
19001 Kermier Road
Waller, Texas 77484
855-770-5678-Telephone
713-863-2382-Facsimile

For assistance outside the U.S.A. contact:

International Division
Daikin North America, LLC
19001 Kermier Road
Waller, Texas 77484
713-861-2500-Telephone
713-863-2382-Facsimile

Functional Parts

Part

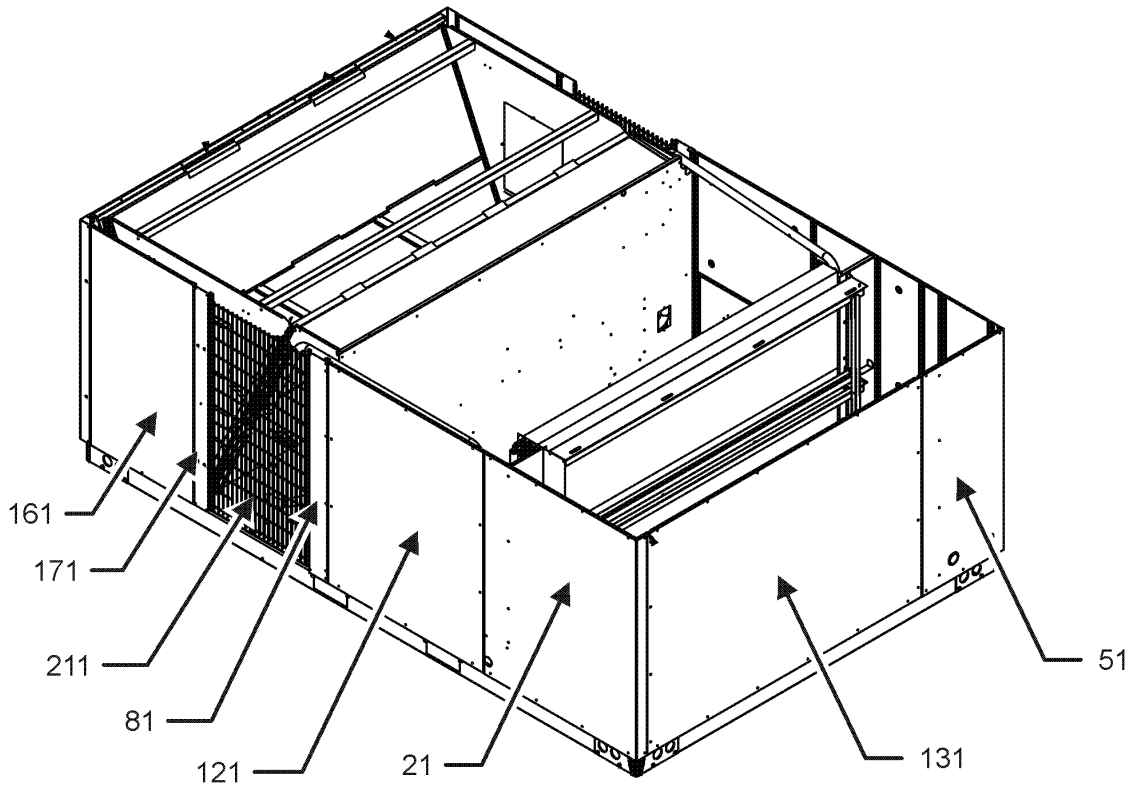
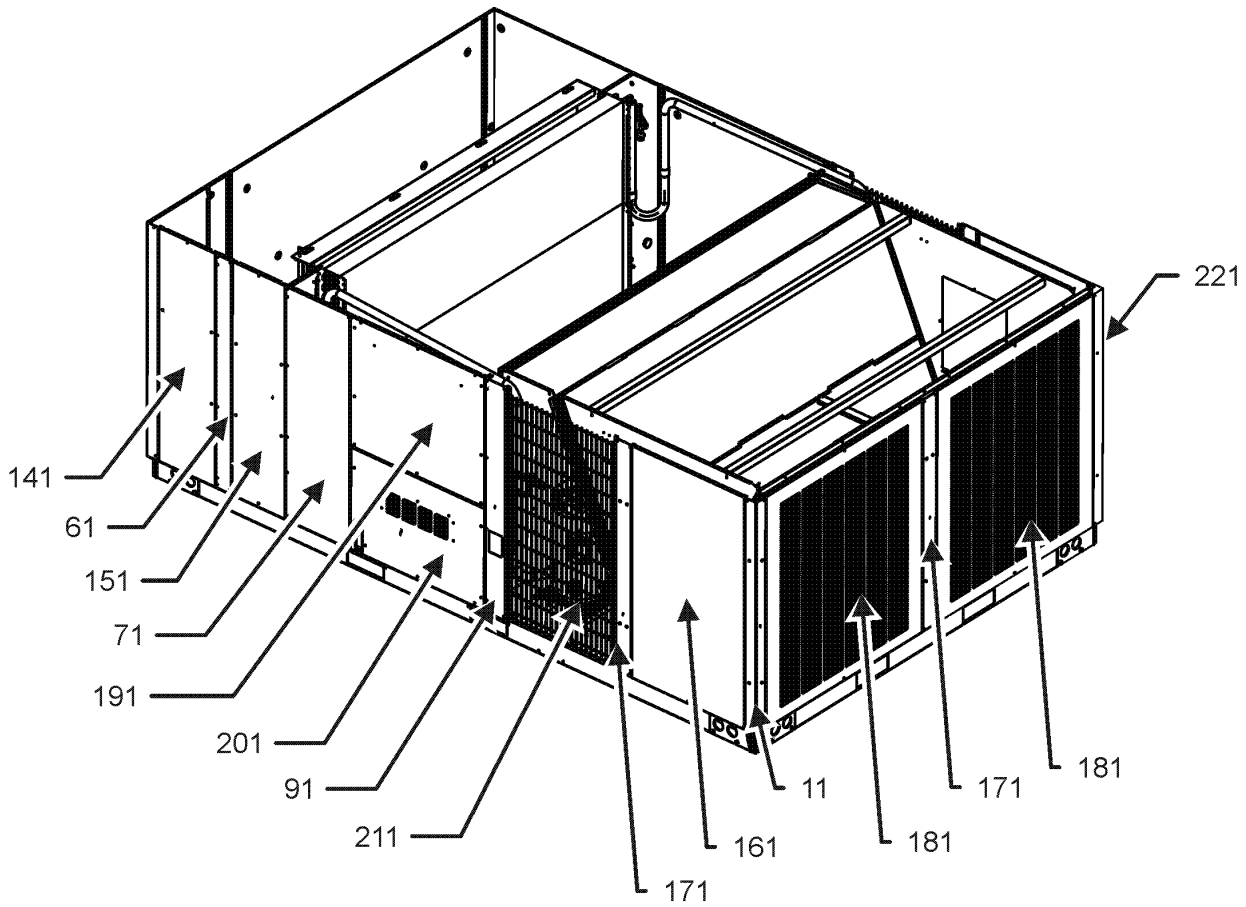
No: Description:

0271L00027	150-15R BD 1.44 TWIN BLOWER
0130M00249	AUXILLARY SWITCH (QTY 2)
0163L00000	BECKETT BURNER (QTY 8)
ZP137KCETFD155	COMP, 135,000, 460/60/3 (M4, M5, M6)
ZP137KCETFE155	COMP, 136,000, 575/60/3 (M7, M8, M9)
ZP137KCETF5250	COMP, 137000, 200/230/60/3 (M1, M2, M3)
CONT3P030024V	CONT, 3 POLE, 30 AMP, 24 VAC (QTY 4)
0130L00020	CRANK CASE HEATER, 90W, 240V (M1, M2, M3)
0130L00021	CRANK CASE HEATER, 90W, 480V (M4, M5, M6)
0130L00022	CRANK CASE HEATER, 90W, 575V (M7, M8, M9)
0130M00074	CUT-OUT SWITCH, HIGH PRESSURE (QTY 2)
0130M00087	CUT-OUT SWITCH, LOW PRESSURE (QTY 2)
0164L00004	FAN BELT-NOTCHED (M1, M4, M7)
0164L00013	FAN BELT-NOTCHED (M2, M3, M5, M6, M8, M9)
0130F00010	FLAME SENSOR
PCBAG123	IGNITION BOARD, DSI INTEGRATED
20261709	IGNITOR
0130M00064	LIMIT
10123529	MANUAL RESET LIMIT
0131L00032	MOTOR, 7.5 HP BELT DRIVE 230V (M1, M2, M3)
0131L00033	MOTOR, 7.5 HP BELT DRIVE 460V (M4, M5, M6)
0131L00034	MOTOR, 7.5 HP BELT DRIVE 575V (M7, M8, M9)
0130M00042	POWER BLOCK (M1, M2, M3, M4, M5, M6)
11112501	PRESSURE SWITCH
0130M00063	PRIMARY LIMIT - GOLD 140°
0130M00242	REALY, 24V (QTY 2)
10135604	RELAY (QTY 3)
0130M00025	RELAY, SPDT
0130M00264	RELAY, THERMISTOR
0130M00263	RELAY, THERMISTOR (QTY 2)
802007090	TERMINAL BOARD
0130M00596	TRANS, 150VA, 480V TO 230V (M4, M5, M6)
0130M00597	TRANS, 150VA, 575V TO 230V (M7, M8, M9)
0130L00207	TRANSFORMER (M7, M8, M9)
0130L00206	TRANSFORMER (M4, M5, M6)
0130L00205	TRANSFORMER (M1, M2, M3)
0151M00015	VALVE, GAS (HW) VR83

Expanded Model Nomenclature

M1 - DBG3003SAA
M2 - DBG3003VAA
M3 - DBG3003VH00001SAA
M4 - DBG3004SAA
M5 - DBG3004VAA
M6 - DBG3004VH00001SAA
M7 - DBG3007SAA
M8 - DBG3007VAA
M9 - DBG3007VH00001SAA

Cabinet Assembly



Cabinet Assembly

Ref. Part No: No:	Description:	Ref. Part No: No:	Description:
-------------------	--------------	-------------------	--------------

Image 1:

11	0121L01143SB	CORNER POST (QTY 2)
21	0121L00681SB	EVAP PANEL
51	0121L00679SB	CONTROL CORNER PANEL
61	0121L02048SB	CONTROL/FILTER POST
71	0121L00710SB	BLOWER DOOR POST
81	0121L00903SB	POST-PARTITION, EVAP SIDE
91	0121L00904SB	POST-PARTITION, GAS FLUE
121	0121L00685SB	BLOWER DOOR, EVAP SIDE
131	0121L00688SB	ACCESSORY PANEL
141	0121L00687SB	PNT, DOOR-CONTROL
151	0121L00686SB	FILTER DOOR
161	0121L00907SB	PANEL-CONDENSER SIDE (QTY 2)
171	0121L01144SB	POST, COND PANEL (QTY 3)
181	0121L01174SB	PANEL-LOUVER, END (QTY 2)
191	0121L00713SB	BLOWER DOOR GAS
201	0121L00712SB	BURNER DOOR
211	0152L00000	GRILLE-CONDENSER (QTY 2)
221	0121L00476SB	PNT, TURNBUCKLE, DOOR (QTY 16)
NS	0121L00562SB	PNT, HOOD-COMBUSTION AIR
NS	M0204317	SCREW-MACH (QTY 16)

Expanded Model Nomenclature

- | |
|------------------------|
| M1 - DBG3003SAA |
| M2 - DBG3003VAA |
| M3 - DBG3003VH00001SAA |
| M4 - DBG3004SAA |
| M5 - DBG3004VAA |
| M6 - DBG3004VH00001SAA |
| M7 - DBG3007SAA |
| M8 - DBG3007VAA |
| M9 - DBG3007VH00001SAA |

Top Panel Assembly

Ref. Part No: No:	Description:	Ref. Part No: No:	Description:
-------------------	--------------	-------------------	--------------

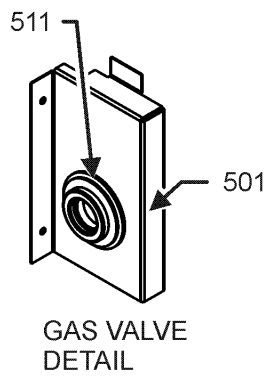
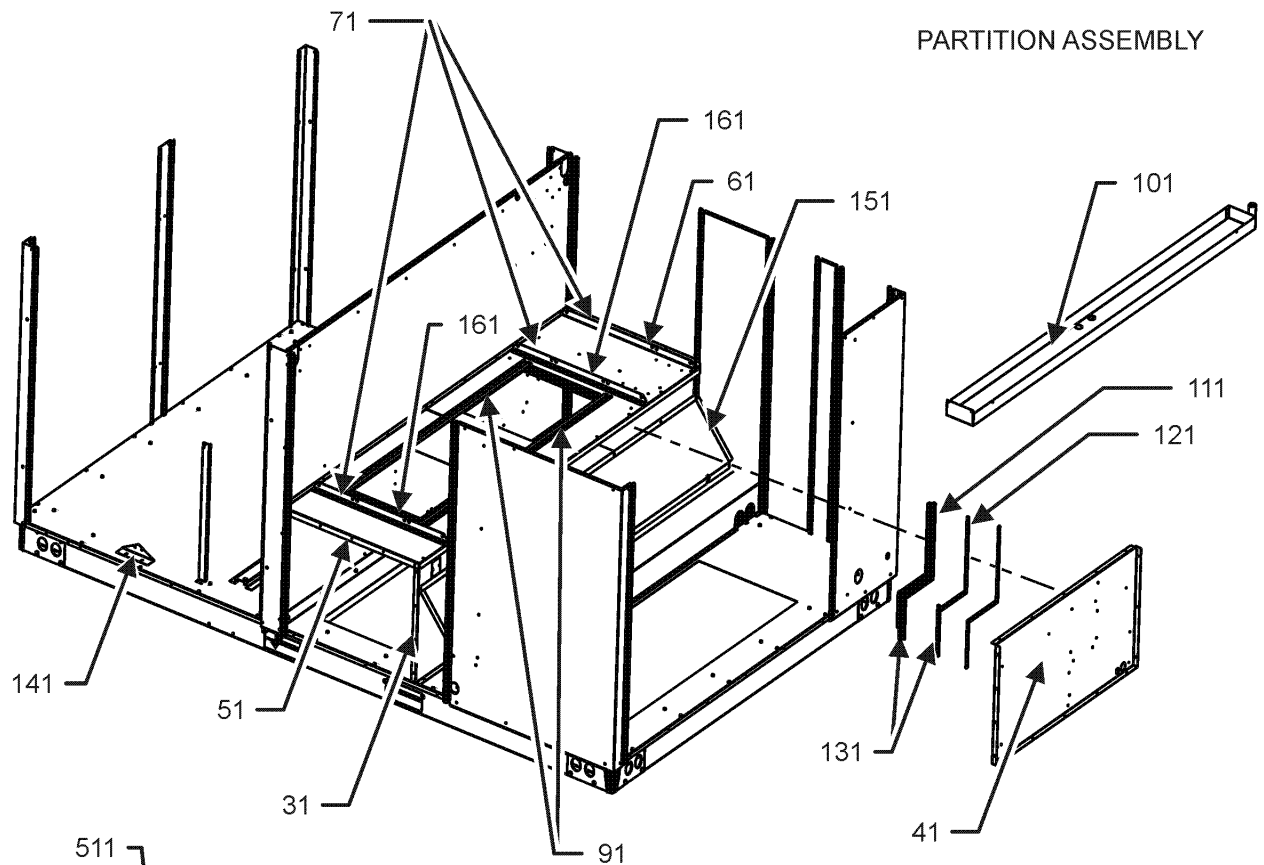
Image 1:

11	0121L01151SB	FAN PANEL 30" (QTY 4)
21	0152L00003	FAN GRILLE (QTY 4)
31	0150M00044	FAN BLADE (QTY 4)
41	0131M00697	MOTOR, COND (M1, M2, M3, M4, M5, M6)
41	0131M00721	MOTOR, COND 575 V (M7, M8, M9)
51	0163L00080	MOTOR MOUNT (QTY 4)
61	0163M00097	WASHERED SCREW (QTY 4)
71	0163L00082	MOTOR CLAMP BAND (QTY 4)
81	B1393726	ELECT. CONNECTING BUSHING (QTY 4)
91	0259L00219	POWER HARNESS, CM PIGTAIL (QTY 4)
111	B1392912	FLAT WASHER 3/8 ID X 7/8 OD (QTY 16)
141	0163M00275	CARRIAGE BOLT (QTY 4)
181	0121L01081SB	TOP, FAN C1
191	0121L01094SB	TOP, FAN C2
211	0121L00693SB	TOP ASSY, CONTROL SIDE
221	0121L00694SB	TOP ASSY, EVAP SIDE

Expanded Model Nomenclature

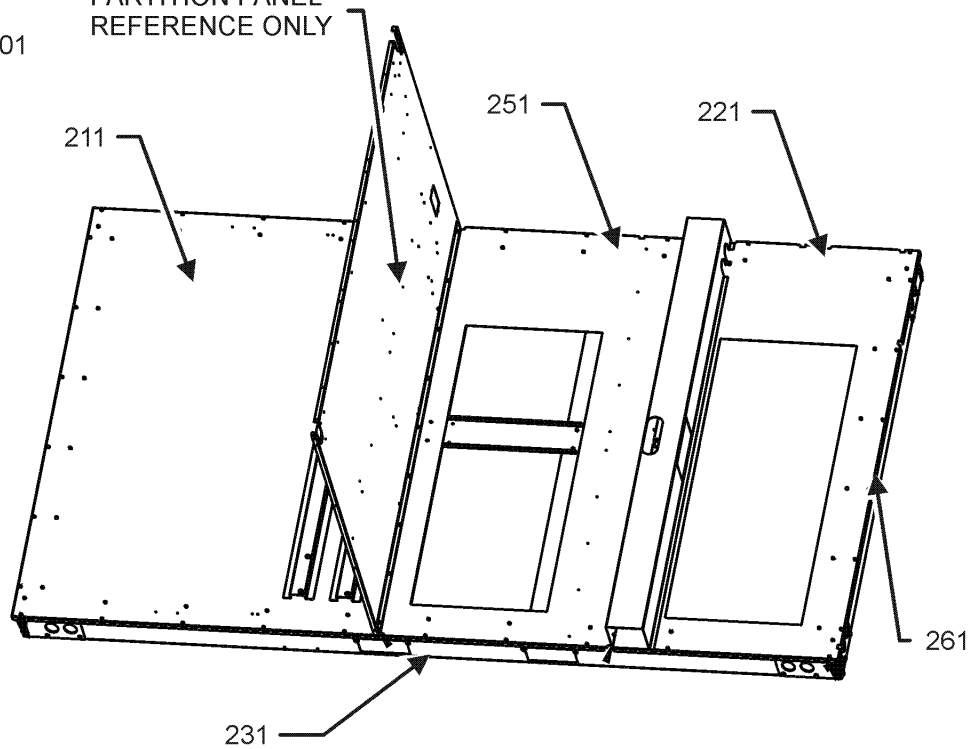
M1 - DBG3003SAA
M2 - DBG3003VAA
M3 - DBG3003VH00001SAA
M4 - DBG3004SAA
M5 - DBG3004VAA
M6 - DBG3004VH00001SAA
M7 - DBG3007SAA
M8 - DBG3007VAA
M9 - DBG3007VH00001SAA

Partition and Base Pan Assembly



PARTITION PANEL REFERENCE ONLY

BASE PAN ASSEMBLY



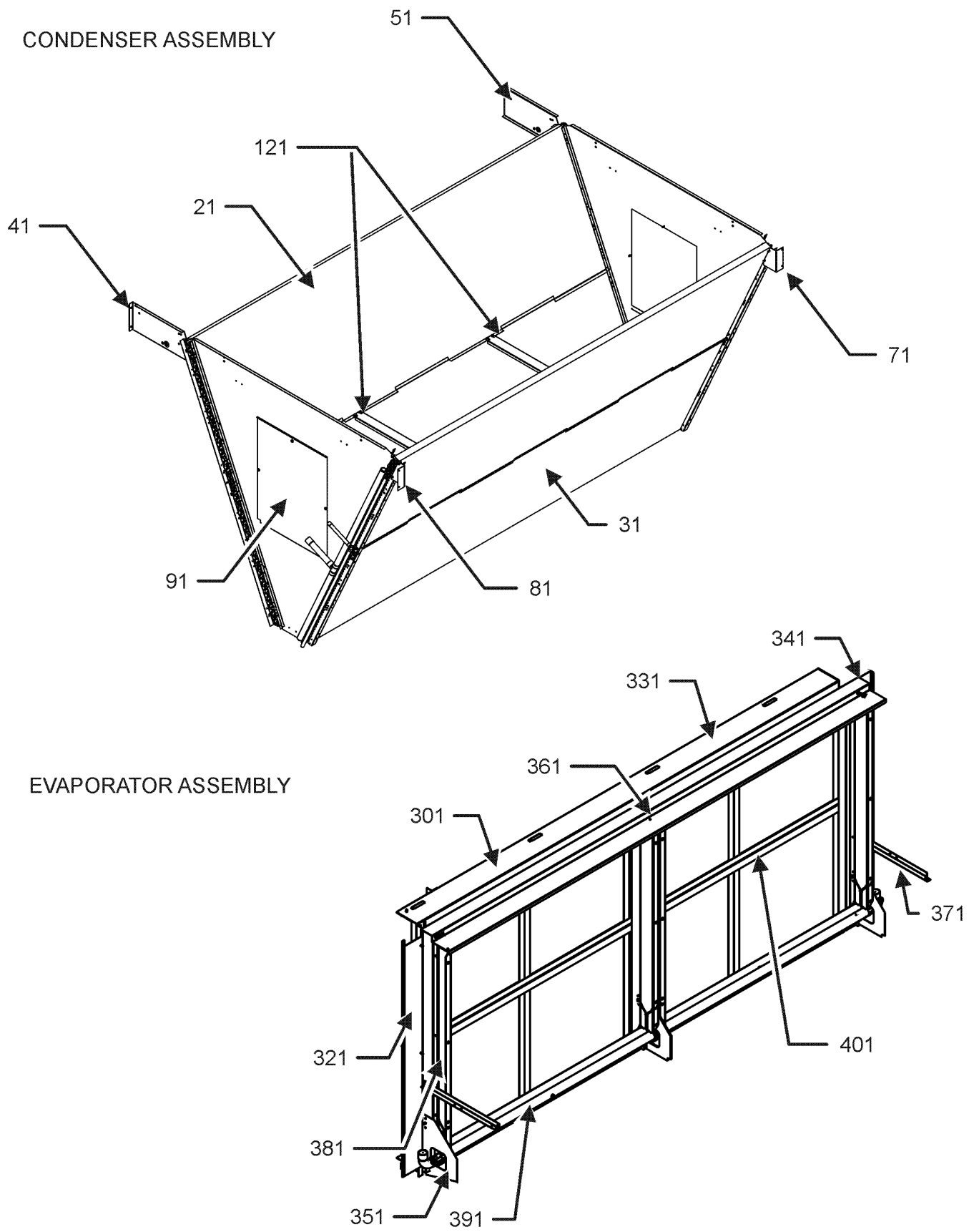
Partition and Base Pan Assembly

Ref. Part No:	Part No:	Description:	Ref. Part No:	Part No:	Description:
Image 1:					
31	0121L01163	DECK, SIDE DUCT END			
41	0121L01162	DECK, SIDE HEAT END			
51	0121L01160	BLOWER DECK, EVAP SIDE			
61	0121L01061	BLOWER DECK, MOTOR SIDE			
71	0121L01431	MOTOR MOUNT ANGLE (QTY 3)			
91	0121L00478	BLOWER DECK RAIL (QTY 2)			
101	0270L00612DG	DRAIN PAN			
111	0121L00551	HEAT EXCHANGER ANGLE, RH SIDE			
121	0121L00552	HEAT EXCHANGER ANGLE, LH SIDE			
131	0121L00553	LOWER HEAT EXCHANGER ANGLE (QTY 2)			
141	0121L00913	BRACKET-COND/BASEPAN (QTY 2)			
151	0121L01158	SHIELD, BLOWOFF			
161	0121L00481	BLOWER RAIL (QTY 2)			
211	0121L00902	BASEPAN-OUTDOORS			
221	0121L00947	BASE PAN-RETURN			
231	0121L00720	SIDE RAIL			
251	0121L00948	BASE PAN-SUPPLY			
261	0121L00722	BASE RAIL, ACCESSORY END			
501	0121L00697	GAS VALVE PIPE BRACKET			
511	B1910013	GAS LINE GROMMET			
NS	0121L00723	BASE RAIL CORNER BRACE (QTY 4)			
NS	0121L00721	BASE RAIL, CONDENSER END (QTY 2)			
NS	0121L00625	BRACKET-COMPRESSOR RAIL (QTY 4)			
NS	0121L00724	BRACKET-FORK BOARD (QTY 4)			
NS	0121L00719	CONTROL SIDE BASE RAIL			
NS	0141L00029	FORK BOARD (QTY 2)			
NS	0121L00605	FORK BOARD PLATE			
NS	0121L00321	SMOKE DETECTOR COVER			

Expanded Model Nomenclature

- | |
|------------------------|
| M1 - DBG3003SAA |
| M2 - DBG3003VAA |
| M3 - DBG3003VH00001SAA |
| M4 - DBG3004SAA |
| M5 - DBG3004VAA |
| M6 - DBG3004VH00001SAA |
| M7 - DBG3007SAA |
| M8 - DBG3007VAA |
| M9 - DBG3007VH00001SAA |

Condenser and Evaporator Assembly



Condenser and Evaporator Assembly

Ref. Part No:	Part No:	Description:	Ref. Part No:	Part No:	Description:
---------------	----------	--------------	---------------	----------	--------------

Image 1:

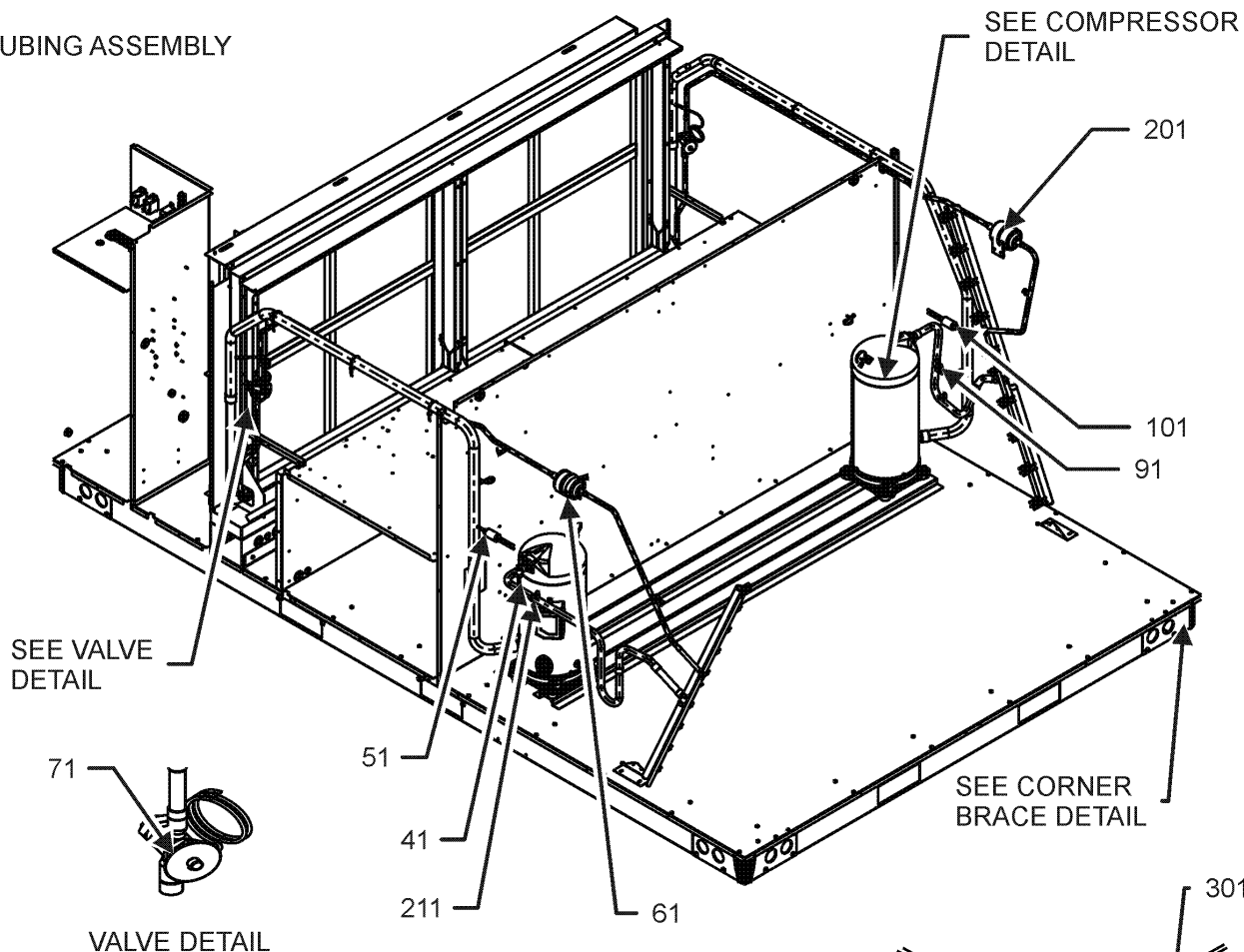
21	0201L00151	CONDENSER COIL ASSY C1
31	0201L00152	CONDENSER COIL ASSY C2
41	0121L01154	BRACKET, CONDENSER END C1
51	0121L01156	BRACKET, CONDENSER END C2
71	0121L01153	BRACKET, COND/POST C2
81	0121L01155	BRACKET, COND/POST C1
91	0121L00910	COVER-COIL CLEANING (QTY 2)
121	0121L00901	BRACE-COND COILS (QTY 2)
301	0202L00102	EVAP COIL ASSY C1
321	0121L01086	EVAP BLOCKOFF, RIGHT
331	0202L00103	EVAP COIL ASSY C2
341	0121L01085	EVAP BLOCKOFF, LEFT
351	0121L01133	END SUPPORT PLATE (QTY 2)
361	0121L01188	TOP FILTER RACK
371	0121L02259	EVAP COIL SUPPORT BRACKET (QTY 2)
381	0121L01184	ANGLE, FILTER RACK
391	0121L01187	BOTTOM FILTER RACK
401	0270L00614	CENTER FILTER RACK
NS	0160L00136	Air Filter 20x20x2 (QTY 8)
NS	0121L01178	ANGLED FILTER SLIDER (QTY 4)
NS	0121L01139	BOTTOM BLOCKOFF, FILTER RACK
NS	0121L01137	FILTER PULL (QTY 2)
NS	0121L00632	FILTER SUPPORT ANGLE
NS	0121L01089	MIDDLE EVAP BLOCKOFF, LEFT
NS	0121L01088	MIDDLE EVAP BLOCKOFF, RIGHT

Expanded Model Nomenclature

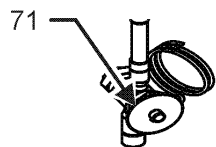
- | |
|------------------------|
| M1 - DBG3003SAA |
| M2 - DBG3003VAA |
| M3 - DBG3003VH00001SAA |
| M4 - DBG3004SAA |
| M5 - DBG3004VAA |
| M6 - DBG3004VH00001SAA |
| M7 - DBG3007SAA |
| M8 - DBG3007VAA |
| M9 - DBG3007VH00001SAA |

Tubing and Copmressor Assembly

TUBING ASSEMBLY

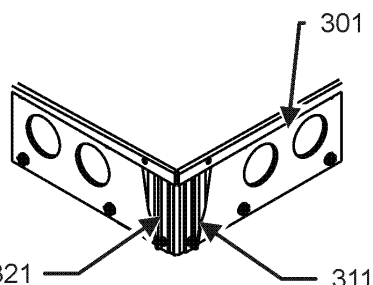


SEE VALVE
DETAIL



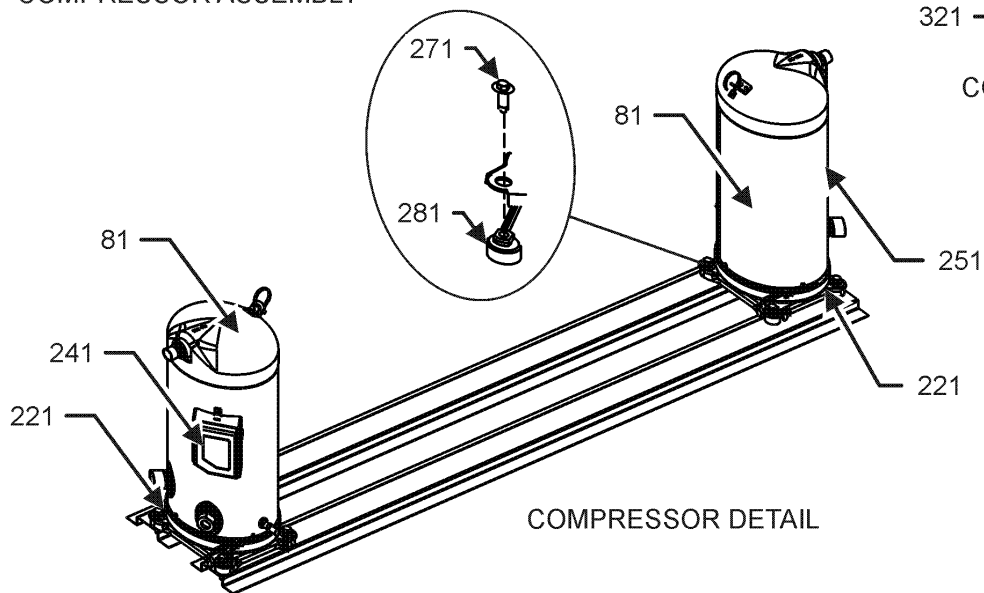
VALVE DETAIL

SEE CORNER
BRACE DETAIL



CORNER BRACE DETAIL

COMPRESSOR ASSEMBLY



COMPRESSOR DETAIL

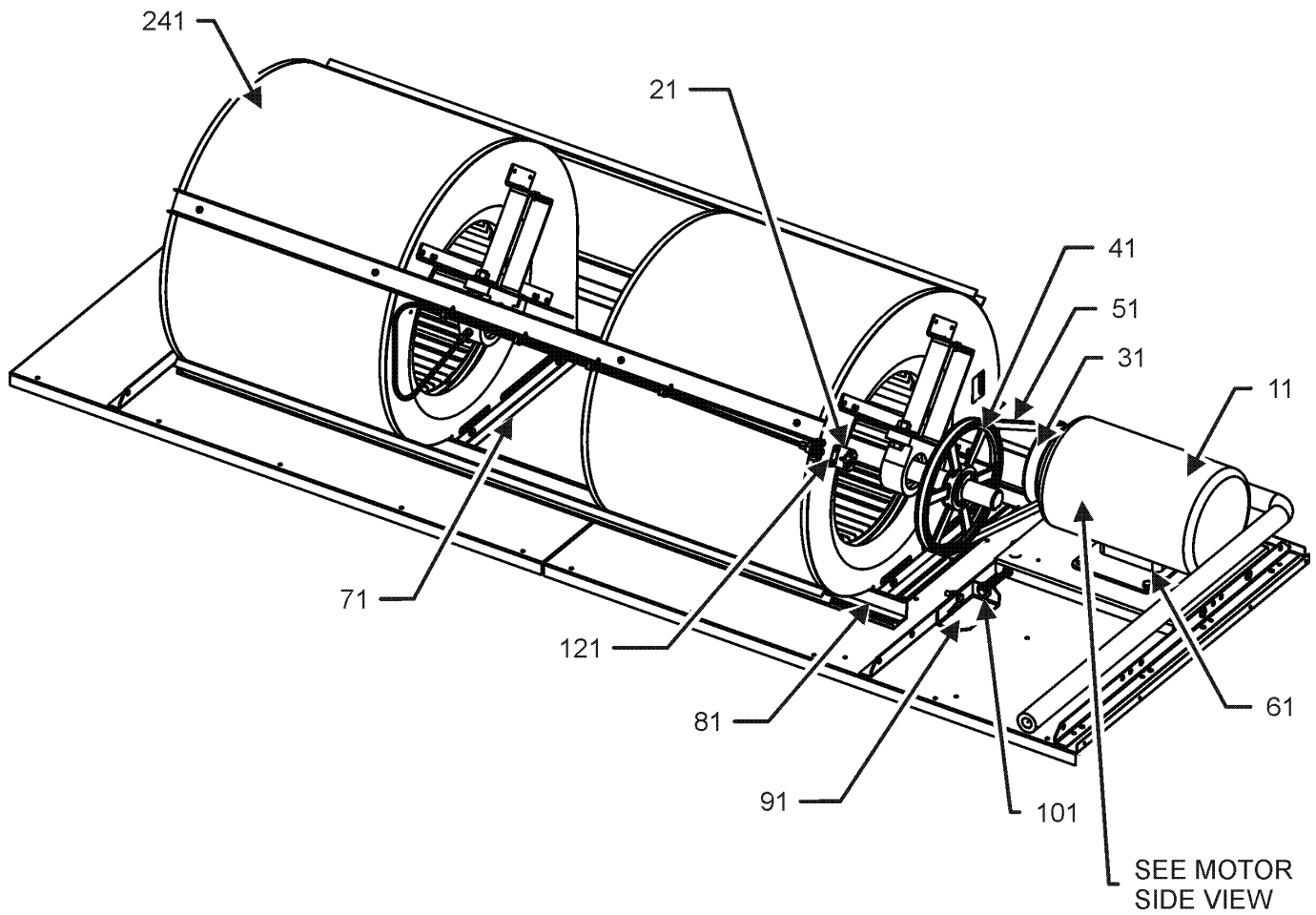
Tubing and Copmpressor Assembly

Ref. Part No:	Ref. Part No:	Description:	Description:
Image 1:			
41	0130M00074	CUT-OUT SWITCH, HIGH PRESSURE	
51	0130M00087	CUT-OUT SWITCH, LOW PRESSURE	
61	0162L00025	FILTER DRIER	
71	0210L00470	TXV WELDMENT (QTY 2)	
81	ZP137KCETFD155	COMP, 135,000, 460/60/3 (M4, M5, M6)	
81	ZP137KCETFE155	COMP, 136,000, 575/60/3 (M7, M8, M9)	
81	ZP137KCETF5250	COMP, 137000, 200/230/60/3 (M1, M2, M3)	
91	0130M00074	CUT-OUT SWITCH, HIGH PRESSURE	
101	0130M00087	CUT-OUT SWITCH, LOW PRESSURE	
201	0162L00025	FILTER DRIER	
211	B1787000	VALVE CORE C/CL/CU/CP (QTY 2)	
221	0130L00020	CRANK CASE HEATER, 90W, 240V (M1, M2, M3)	
221	0130L00021	CRANK CASE HEATER, 90W, 480V (M4, M5, M6)	
221	0130L00022	CRANK CASE HEATER, 90W, 575V (M7, M8, M9)	
241	0159L00061	COMPRESSOR SCROLL HARNESS (M1, M2, M3)	
241	0159L00063	COMPRESSOR SCROLL HARNESS (M4, M5, M6, M7, M8, M9)	
251	0159L00062	COMPRESSOR SCROLL HARNESS (M1, M2, M3)	
251	0159L00064	COMPRESSOR SCROLL HARNESS (M4, M5, M6, M7, M8, M9)	
261	0164M00018	GROMMET, COMPRESSOR (QTY 8)	
271	B1393740	COMP BOLT & SLEEVE (QTY 8)	
301	0121L00723	BRACE-CORNER RAILS (QTY 4)	
311	0121L00616	ANGLE-RAIL BRACE, RIGHT (QTY 4)	
321	0121L00617	ANGLE-RAIL BRACE, LEFT (QTY 4)	
NS	0163M00175	CAP WITH O-RING (QTY 6)	

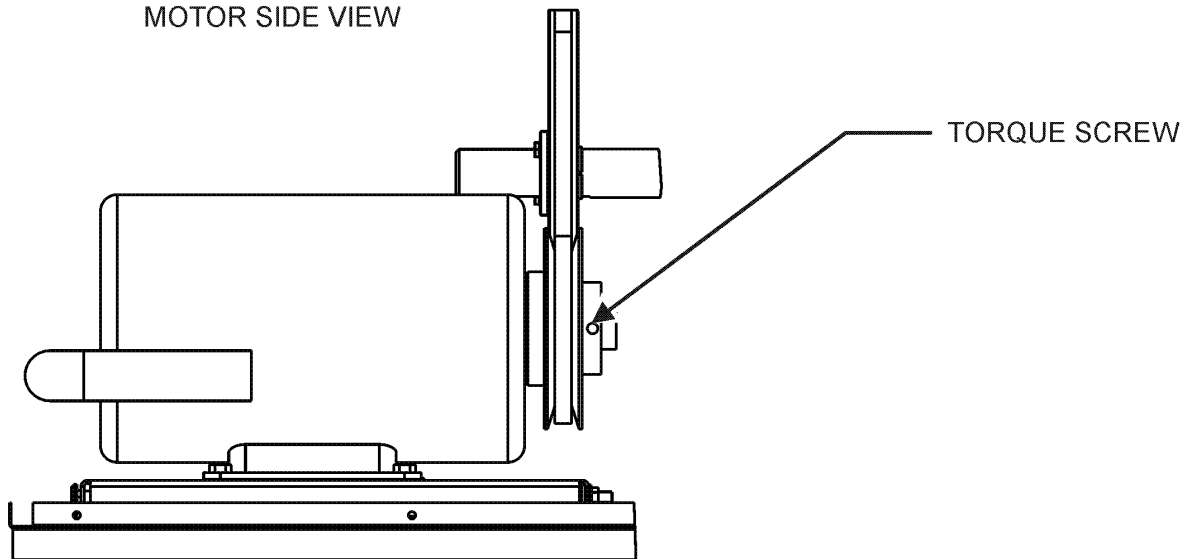
Expanded Model Nomenclature

- M1 - DBG3003SAA
- M2 - DBG3003VAA
- M3 - DBG3003VH00001SAA
- M4 - DBG3004SAA
- M5 - DBG3004VAA
- M6 - DBG3004VH00001SAA
- M7 - DBG3007SAA
- M8 - DBG3007VAA
- M9 - DBG3007VH00001SAA

Blower Assembly



MOTOR SIDE VIEW



Blower Assembly

Ref. Part No:	Part No:	Description:	Ref. Part No:	Part No:	Description:
---------------	----------	--------------	---------------	----------	--------------

Image 1:

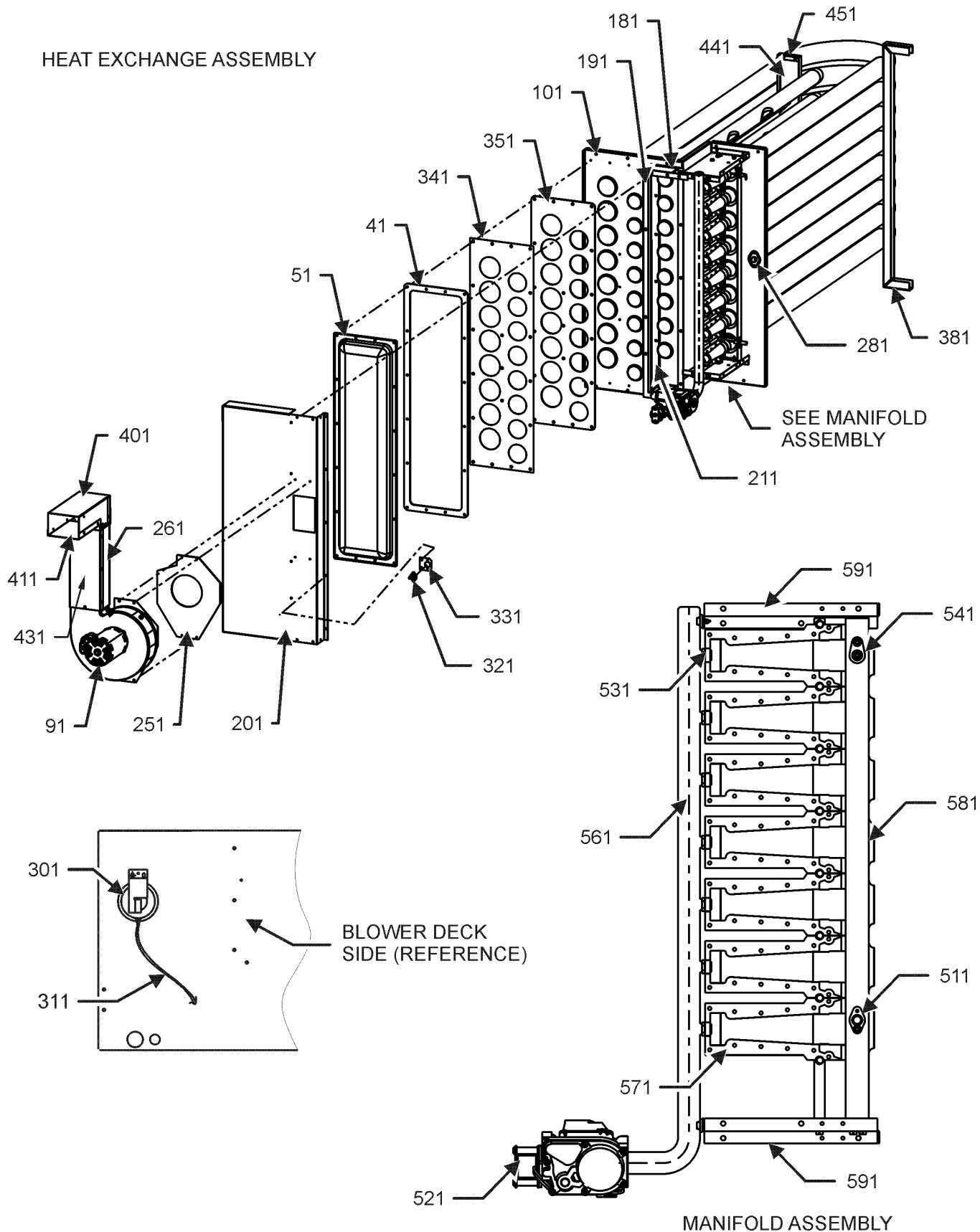
11	0131L00032	MOTOR, 7.5 HP BELT DRIVE 230V (M1, M2, M3)
11	0131L00033	MOTOR, 7.5 HP BELT DRIVE 460V (M4, M5, M6)
11	0131L00034	MOTOR, 7.5 HP BELT DRIVE 575V (M7, M8, M9)
21	0130M00064	LIMIT
31	0163L00068	VP SHEAVE
41	0163L00141	SHEAVE, FIXED BK110H (M2, M3, M5, M6, M8, M9)
41	0163L00140	SHEAVE, FIXED BK90H (M1, M4, M7)
51	0164L00004	FAN BELT-NOTCHED (M1, M4, M7)
51	0164L00013	FAN BELT-NOTCHED (M2, M3, M5, M6, M8, M9)
61	0121L01430	BASE, MOTOR
71	0121L00482	BLOWER SIDE ANGLE (QTY 4)
81	0121L00479	BLOWER RAIL (QTY 2)
91	0121L01429	BRACKET, DRIVE SCREW
101	0163M00351	BOLT, 3/8-16-6
121	0121L00594	SECONDARY LIMIT BRACKET
241	0271L00027	150-15R BD 1.44 TWIN BLOWER

Expanded Model Nomenclature

- M1 - DBG3003SAA
- M2 - DBG3003VAA
- M3 - DBG3003VH00001SAA
- M4 - DBG3004SAA
- M5 - DBG3004VAA
- M6 - DBG3004VH00001SAA
- M7 - DBG3007SAA
- M8 - DBG3007VAA
- M9 - DBG3007VH00001SAA

Heat Exchange Assembly

HEAT EXCHANGE ASSEMBLY



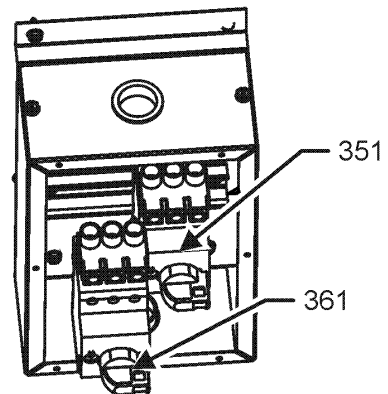
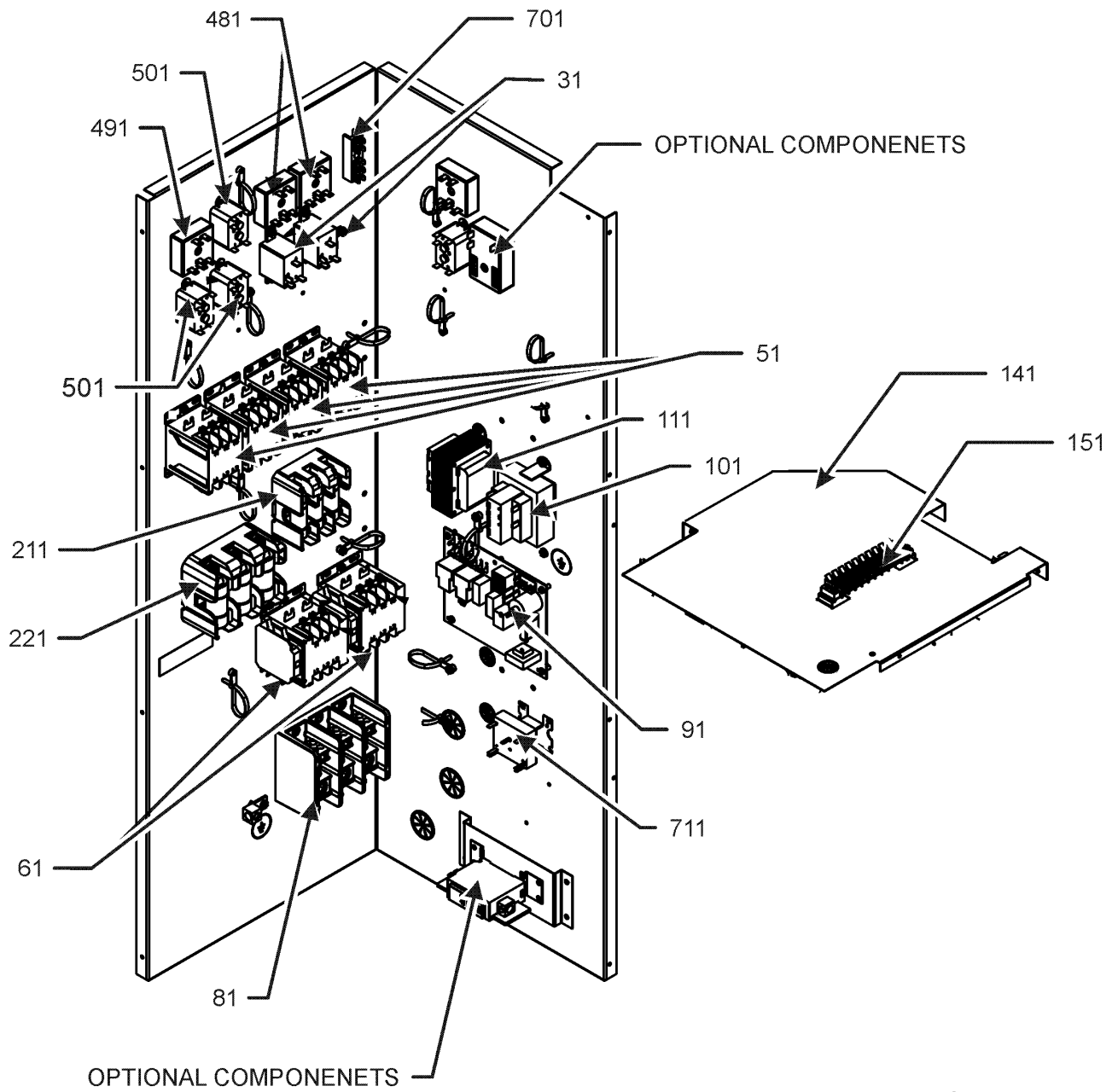
Heat Exchange Assembly

Ref. Part No:	Part No:	Description:	Ref. Part No:	Part No:	Description:
Image 1:					
41	0154L00025	GASKET-COVER REAR 8			
51	0121L00545	COVER-REAR 8 TUBE			
91	0131L00014	MOTOR-ID VENT			
101	0270L00186	PARTITION TUBE ASSY 8B			
181	0154L00026	INNER COLLECTOR BOX GASKET			
191	0154L00027	OUTER COLLECTOR BOX GASKET			
201	0121L00550	COVER-COLLECTOR BOX 8			
211	0121L00546	CHANNEL-COLLECTOR BOX 8			
251	0154L00029	ID BLOWER GASKET			
261	0121L00668	FLUE WRAPPER, BACK			
281	0130M00063	PRIMARY LIMIT - GOLD 140°			
301	11112501	PRESSURE SWITCH			
311	A3468601	PRESSURE SWITCH HOSE			
321	10123529	MANUAL RESET LIMIT			
331	0121L00053	FLAME ROLLOUT BRACKET			
341	0121L00548	PLATE-TUBE PANEL 8			
351	0154L00028	GASKET-TUBE PANEL 8			
381	0121L00930	SUPPORT-HEAT TUBES 2.25			
401	0121L02100	FLUE-EXIT WRAPPER			
411	0121L00671	FLUE COVER EXT			
431	0121L00669	FLUE COVER, FRONT			
441	0121L00808	SUPPORT-HEAT TUBES 2.25			
451	0121L00823	BRACKET-TUBE SUPPORT (QTY 2)			
511	20261709	IGNITOR			
521	0151M00015	VALVE, GAS (HW) VR83			
531	0163L00014	ORIFICE (QTY 8)			
541	0130F00010	FLAME SENSOR			
561	0163L00033	MANIFOLD-GAS 8 BURNER			
571	0163L00000	BECKETT BURNER (QTY 8)			
581	0121L00635	BRACKET-8 BURNERS			
591	0121G00268	BRACKET-BURNER TOP/BOT (QTY 2)			
NS	0163L00040	FLUE SCREEN			

Expanded Model Nomenclature

- M1 - DBG3003SAA
- M2 - DBG3003VAA
- M3 - DBG3003VH00001SAA
- M4 - DBG3004SAA
- M5 - DBG3004VAA
- M6 - DBG3004VH00001SAA
- M7 - DBG3007SAA
- M8 - DBG3007VAA
- M9 - DBG3007VH00001SAA

Control Box Assembly



CAPACITOR ASSEMBLY

Control Box Assembly

Ref. Part No:	Description:	Ref. Part No:	Description:
Image 1:		Expanded Model Nomenclature	
31	0130M00242 REALY, 24V (QTY 2)	M1	- DBG3003SAA
51	CONT3P030024V CONT, 3 POLE, 30 AMP, 24 VAC (QTY 4)	M2	- DBG3003VAA
61	0130M00249 AUXILLARY SWITCH (QTY 2)	M3	- DBG3003VH00001SAA
81	0130M00042 POWER BLOCK (M1, M2, M3, M4, M5, M6)	M4	- DBG3004SAA
91	PCBAG123 IGNITION BOARD, DSI INTEGRATED	M5	- DBG3004VAA
101	0130M00596 TRANS, 150VA, 480V TO 230V (M4, M5, M6)	M6	- DBG3004VH00001SAA
101	0130M00597 TRANS, 150VA, 575V TO 230V (M7, M8, M9)	M7	- DBG3007SAA
101	0130L00205 TRANSFORMER (M1, M2, M3)	M8	- DBG3007VAA
111	0130L00206 TRANSFORMER (M4, M5, M6)	M9	- DBG3007VH00001SAA
111	0130L00207 TRANSFORMER (M7, M8, M9)		
141	0121L01281 HIGH VOLTAGE BARRIER		
151	0130M00240 TERMINAL BOARD		
211	0130M00246 FUSE BLOCK		
221	0130M00247 FUSE BLOCK		
351	0130L00083 ROTARY MANUAL MOTOR PROTECTOR (M4, M5, M6, M7, M8, M9)		
351	0130L00085 ROTARY MANUAL MOTOR PROTECTOR (M1, M2, M3)		
361	0130L00084 ROTARY MANUAL MOTOR PROTECTOR (M4, M5, M6, M7, M8, M9)		
361	0130L00086 ROTARY MANUAL MOTOR PROTECTOR (M1, M2, M3)		
481	0130M00263 RELAY, THERMISTOR (QTY 2)		
491	0130M00264 RELAY, THERMISTOR		
501	10135604 RELAY (QTY 3)		
701	802007090 TERMINAL BOARD		
711	0130M00025 RELAY, SPDT		
NS	0121L01012 CIRCUIT BREAKER BOX		
NS	0121L01011 CIRCUIT BREAKER BOX BRACKET		
NS	0121L01013 CIRCUIT BREAKER BOX COVER		
NS	0259L00190 CIRCUIT BREAKER HARNESS		
NS	0130L00101 FUSE, J CLASS (QTY 3)		
NS	0130L00102 FUSE, J CLASS (QTY 3)		
NS	0259L00252 HARN, BC_BR_CCR, 2 SPD EM		
NS	0259L00278 HARN, CH/LPS/HPS, C1		
NS	0259L00279 HARN, CH/LPS/HPS, C2		
NS	0259L00203 HARN, IGN SUB-ASSY 2, ECON PLF		
NS	0259L00204 HARN, IGN, SUB-ASSY 1, IGN PLM		
NS	0259L00229 HARN, PWR & CNTL, GAS		
NS	0259L00199 HARN, PWR, PB TO FB		
NS	0259L00217 HARNESS		
NS	0259L00218 HARNESS		
NS	0259L00222 HARNESS		
NS	0259L00247 HARNESS, CC_CMC		
NS	0259L00253 HARNESS, FREEZE STAT		
NS	0259L00288 HARNESS, POWER, EM INTERCONN		
NS	0259L00181 HARNESS-BELT DRIVE 2 SP MOTOR		