

Commercial 20 Ton DDC Control 2-Speed High Static Package Gas Unit

DBG2403VDDCAA
DBG2404VDDCAA
DBG2407VDDCAA



This manual is to be used by qualified technicians only.

Important Information

Index

Functional Parts List	3
Illustration and Parts	4 - 19

Views shown are for parts illustrations only, not servicing procedures

Text Codes:

AR - As Required

NA - Not Available

NS - Not Shown

00000000 - See Note

QTY - Quantity Example (QTY 3) (If Quantity not shown, Quantity = 1)

M - Model Example (M1) (If M Code not shown, then part is used on all Models)

Expanded Model Nomenclature:

Example M1 - Model#1 M2 - Model#2 M3 - Model#3

Daikin Company, L.P. is not responsible for personal injury or property damage resulting from improper service. Review all service information before beginning repairs.

Warranty service must be performed by an authorized technician, using authorized factory parts. If service is required after the warranty expires, Daikin Company, L.P. also recommends contacting an authorized technician and using authorized factory parts.

Daikin Company, L.P. reserves the right to discontinue, or change at any time, specifications or designs without notice or without incurring obligations.

For assistance within the U.S.A. contact:

Equipment Support
Daikin North America, LLC
19001 Kermier Road
Waller, Texas 77484
855-770-5678-Telephone
713-863-2382-Facsimile

For assistance outside the U.S.A. contact:

International Division
Daikin North America, LLC
19001 Kermier Road
Waller, Texas 77484
713-861-2500-Telephone
713-863-2382-Facsimile

Functional Parts

Part No: **Description:**

0130M00249	AUXILLARY SWITCH (QTY 2)
0163L00000	BECKETT BURNER (QTY 8)
CAP100000370LA	CAPACITOR 10/370V (M1)
CAP050000440LA	CAPACITOR 5/440V (M2, M3)
ZP122KCETFD155	COMP, 124000, 460/60/3 (M2)
ZP122KCETFE155	COMP, 124000, 575/60/3 (M3)
ZP122KCETF5250	COMP, 124000, 200/230/60/3 (M1)
CONT3P030024V	CONT, 3 POLE, 30 AMP, 24 VAC (M2, M3)
CONT3P030024V	CONT, 3 POLE, 30 AMP, 24 VAC (M2, M3)
CONT3P040024V	CONT, 3 POLE, 40 AMP, 24 VAC (M1)
CONT3P040024V	CONT, 3 POLE, 40 AMP, 24 VAC (M1)
0130L00019	CRANK CASE HEATER, 70W, 575V (M3)
0130L00017	CRANK CASE HEATER-70W 240V (M1)
0130L00018	CRANK CASE HEATER-70W, 480V (M2)
0130M00579	DDC CONTROLLER 39IO
0130M00178	DPDT RELAY 24VAC
0130L00228	DUCT TEMPERATURE SENSOR
0164L00013	FAN BELT-NOTCHED
10625733	FAN BLADE 22" ALUM CCW (QTY 3)
0130F00010	FLAME SENSOR
0130M00074	HIGH PRESSURE SWITCH (QTY 2)
0130L00251	IGNITOR
0130M00064	LIMIT
0130M00087	LOW PRESSURE SWITCH (QTY 2)
10123529	MANUAL RESET LIMIT
0131L00025	MOTOR, 5 HP BELT DRIVE 230V (M1)
0131L00031	MOTOR, 5 HP BELT DRIVE 460 V (M2)
0131L00028	MOTOR, 5 HP BELT DRIVE 575 V (M3)
0131M00907	MOTOR, HP, 1/3, OD (M2)
0131M00908	MOTOR, HP, 1/3, OD, LAK (M3)
0131M00906	MOTOR, HP, 1/3, SP, 1, PL, 6 (M1)
0130L00227	OUTDOOR AIR TEMP SENSOR
PCBAG123	PCB, IGNITION, DSI, INTEG
11112501	PRESSURE SWITCH
20162903	PRIMARY LIMIT-TEMPERATURE CONTROL
0130L00252	PROGRAM, APP, CONTROLLER, DDC
0130M00025	RELYA SPDT
0130L00226	SPACE TEMPERATURE SENSOR
0130M00596	TRANSFMR, 150VA, 480V TO 23 (M2)
0130M00597	TRANSFMR, 150VA, 575V TO 230V (M3)
0130M00598	TRANSFMR, 75VA, 575V TO 24V (M3)
0130L00207	TRANSFORMER (M3)
0130L00206	TRANSFORMER (M2)
0130L00205	TRANSFORMER (M1)
0130M00594	TRANSFORMER (M1)
0130M00595	TRANSFORMER, 75VA, 480V TO 24V (M2)
0151M00015	VALVE, GAS (HW) VR83
0151L00011	VALVE, TXV R-410A

SPECIAL PARTS

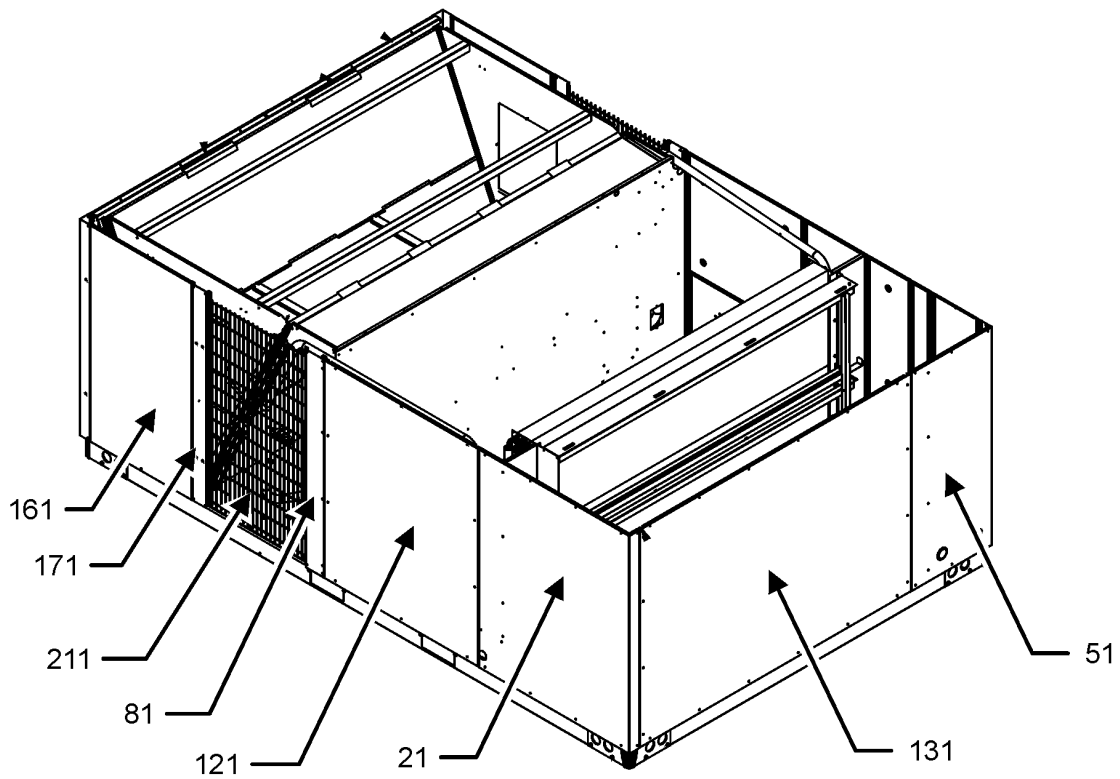
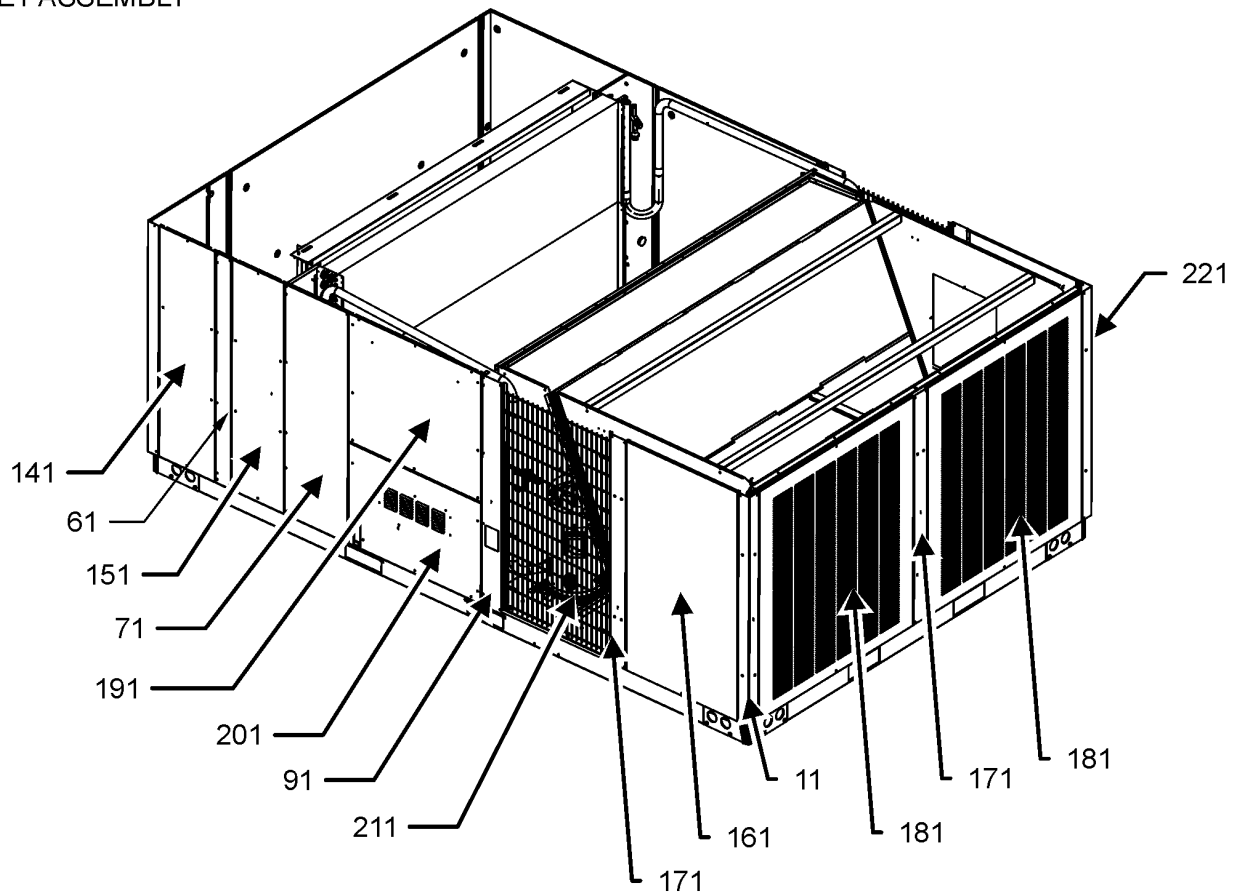
RP-FIOPLC*	ACCESSORY PART MANUAL
BDG-ILINQA	DAIKIN ILINQ BACNET DES GUIDE
QSG-ILINQA	DAIKIN ILINQ QUICK START GUIDE
UM-ILINQA	DAIKIN ILINQ USER MANUAL
RP-EHSBLC*	HEATER KIT MANUAL
RP-EHXDLC*	HEATER KIT MANUAL
RP-EHSDLC*	HEATER KIT MANUAL
RP-EHXBLC*	HEATER KIT MANUAL

Expanded Model Nomenclature

M1 - DBG2403VDDCAA
M2 - DBG2404VDDCAA
M3 - DBG2407VDDCAA

Cabinet Assembly

CABINET ASSEMBLY



Cabinet Assembly

Ref. Part No:	No:	Description:	Ref. Part No:	No:	Description:
---------------	-----	--------------	---------------	-----	--------------

Image 1:

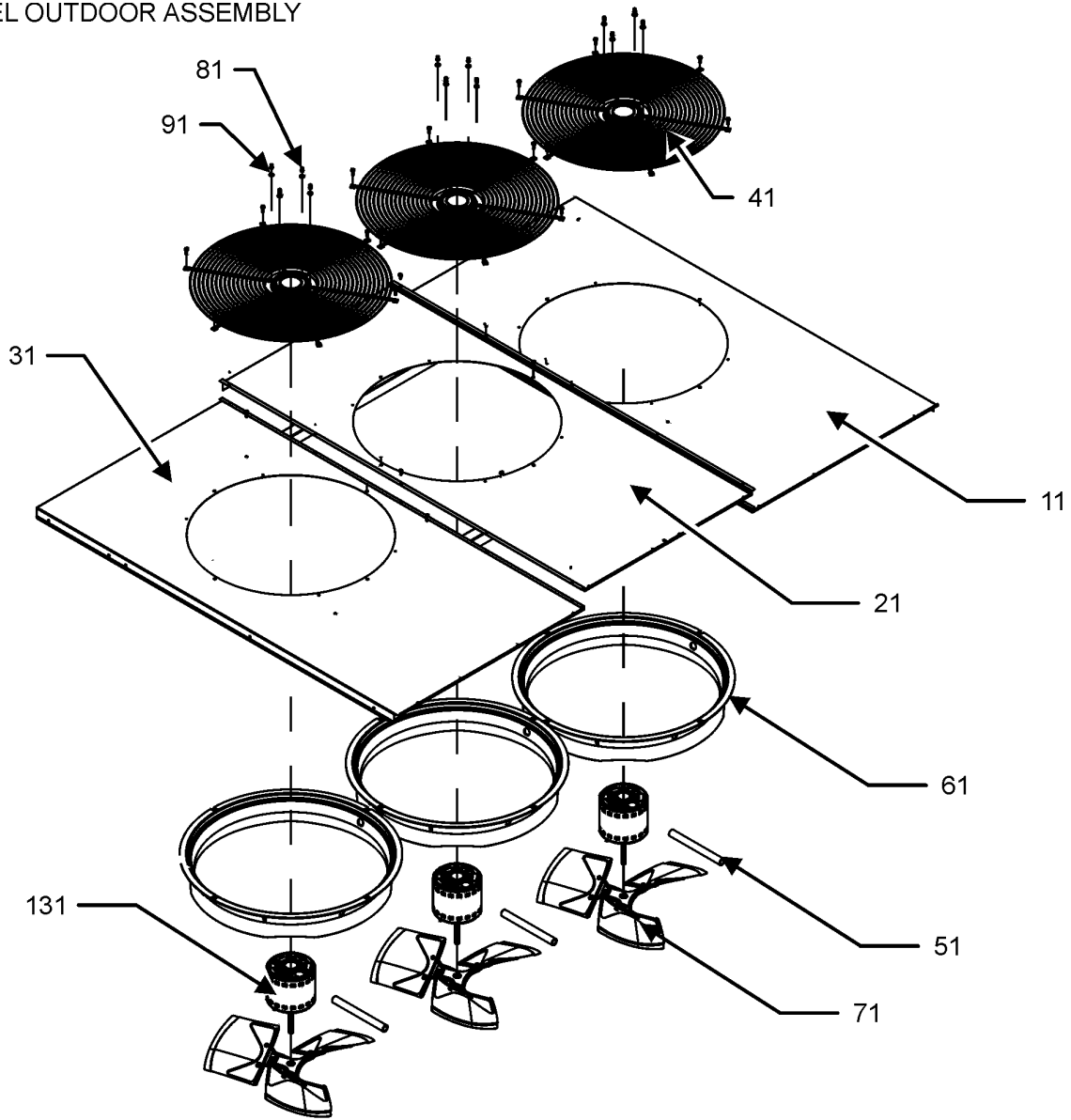
11	0121L01143SB	CORNER POST (QTY 2)
21	0121L00681SB	EVAP PANEL
51	0121L00679SB	CONTROL CORNER PANEL
61	0121L02048SB	PNT, POST-CONTROL /FILTER
71	0121L00710SB	BLOWER DOOR POST
81	0121L00903SB	POST-PARTITION, EVAP SIDE
91	0121L00904SB	POST-PARTITION, GAS FLUE
121	0121L00685SB	BLOWER DOOR, EVAP SIDE
131	0121L00688SB	ACCESSORY PANEL
141	0121L00687SB	PNT, DOOR-CONTROL
151	0121L00686SB	FILTER DOOR
161	0121L00907SB	PANEL-CONDENSER SIDE (QTY 2)
171	0121L01144SB	POST, COND PANEL (QTY 3)
181	0121L01174SB	PANEL-LOUVER, END (QTY 2)
191	0121L00713SB	BLOWER DOOR GAS
201	0121L00712SB	BURNER DOOR
211	0152L00000	GRILLE-CONDENSER (QTY 2)
221	0121L00476SB	PNT, TURNBUCKLE, DOOR (QTY 16)
NS	0121L00562SB	PNT, HOOD-COMBUSTION AIR
NS	M0204317	SCREW-MACH (QTY 16)

Expanded Model Nomenclature

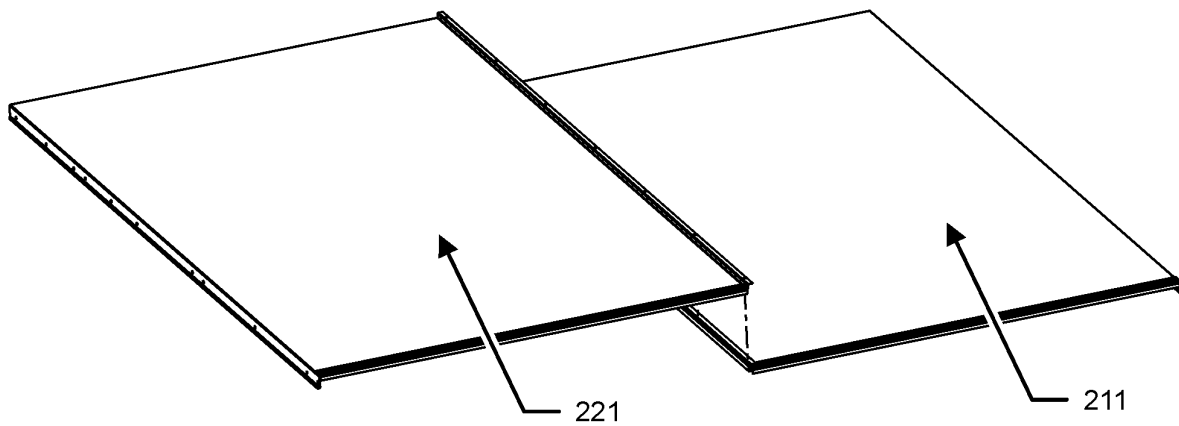
M1 - DBG2403VDDCAA
M2 - DBG2404VDDCAA
M3 - DBG2407VDDCAA

Top Panel Assembly

TOP PANEL OUTDOOR ASSEMBLY



TOP PANEL INDOOR ASSEMBLY



Top Panel Assembly

Ref. Part No:	No:	Description:	Ref. Part No:	No:	Description:
---------------	-----	--------------	---------------	-----	--------------

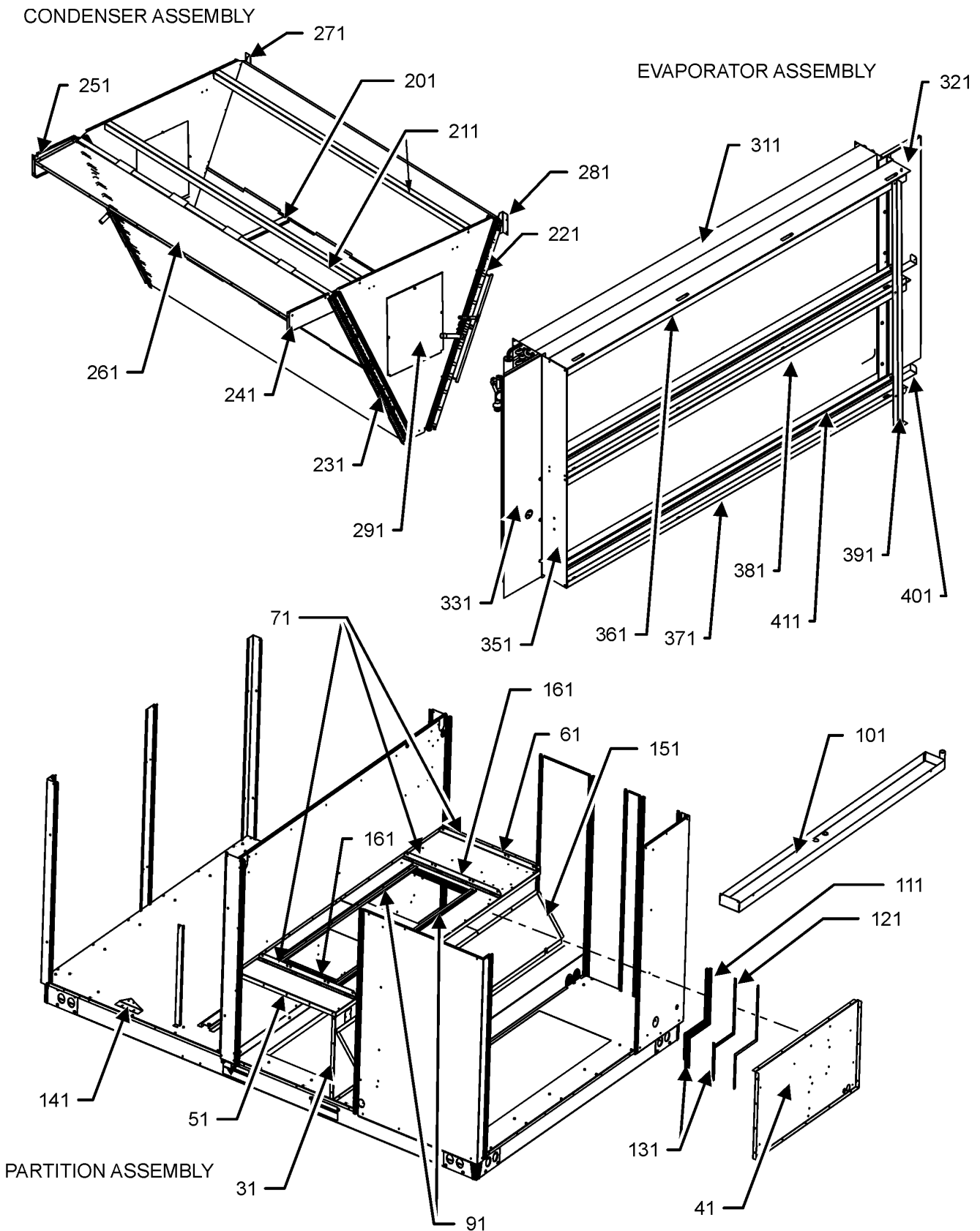
Image 1:

11	0121L01038SB	PNT, TOP-FAN, CONTROL SIDE
21	0121L01039SB	PNT, TOP-FAN, CENTER
31	0121L01040SB	PNT, TOP-FAN, EVAP SIDE
41	0152G00003	FAN GRILLE (QTY 3)
51	0161R00003P	CONDUIT (QTY 3)
61	0161L00000	VENTURI RING 22" (QTY 3)
71	10625733	FAN BLADE 22" ALUM CCW (QTY 3)
81	0163M00006P	ACORN NUT 5/16 HEX BLACK (QTY 12)
91	0163M00005P	WASHER BLACK (.50 OD .218ID) (QTY 12)
101	0163M00004	SCREW #10X3/4", BLACK (QTY 24)
131	0131M00907	MOTOR, HP, 1/3, OD (M2)
131	0131M00908	MOTOR, HP, 1/3, OD, LAK (M3)
131	0131M00906	MOTOR, HP, 1/3, SP, 1, PL, 6 (M1)
211	0121L00693SB	TOP, CONTROL SIDE
221	0121L00694SB	TOP, EVAP SIDE

Expanded Model Nomenclature

M1 - DBG2403VDDCAA
M2 - DBG2404VDDCAA
M3 - DBG2407VDDCAA

Evaporator, Condenser and Partition Assy



Evaporator, Condenser and Partition Assy

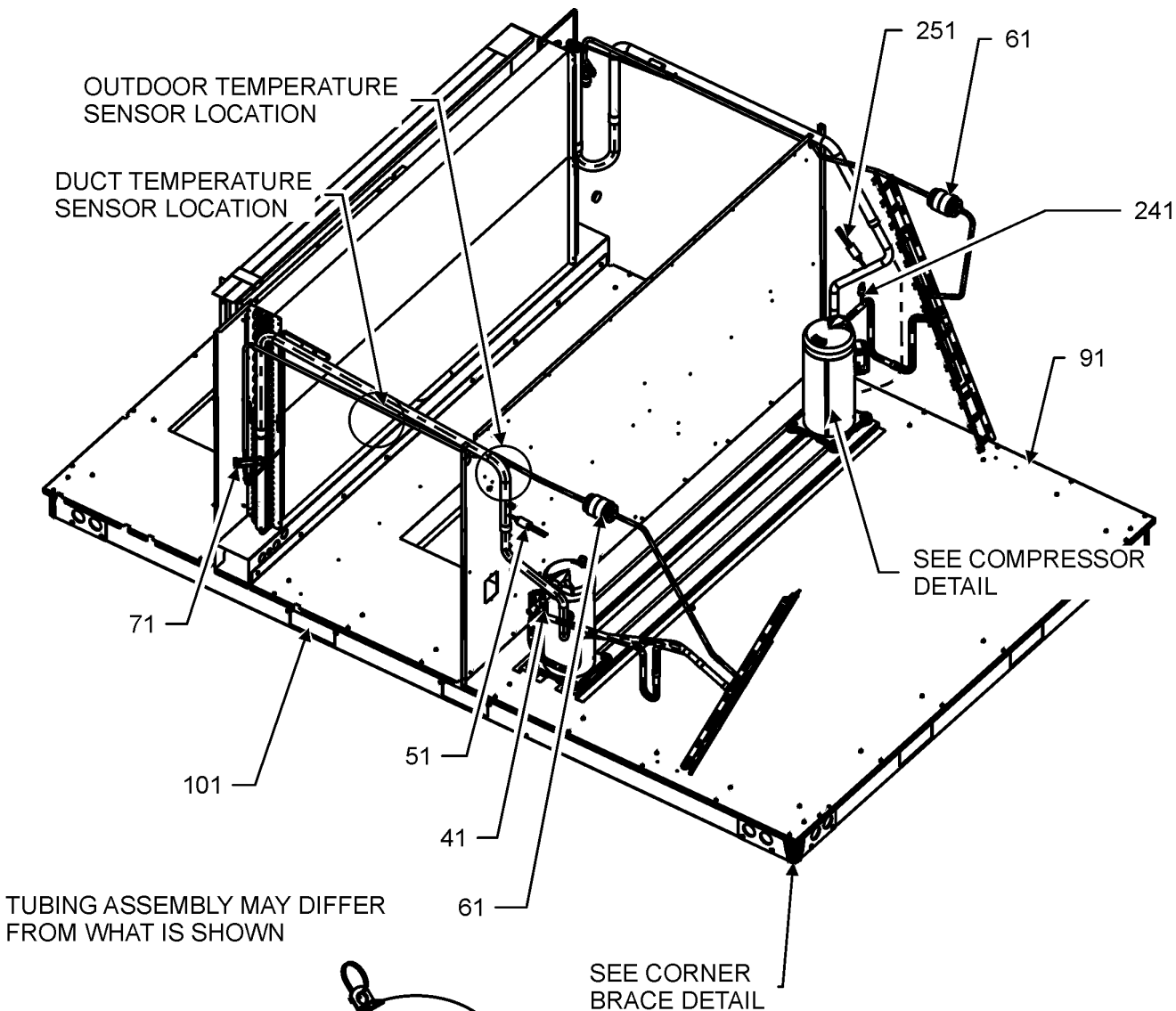
Ref. Part No:	Part No:	Description:	Ref. Part No:	Part No:	Description:
Image 1:					
31	0121L01163	DECK, SIDE DUCT END			
41	0121L01162	DECK, SIDE HEAT END			
51	0121L01160	DECK, BLOWER EVAP SIDE			
61	0121L01061	DECK-BLOWER, MOTOR END			
71	0121L01431	MOTOR MOUNT ANGLE (QTY 3)			
91	0121L00478	BLOWER DECK RAIL (QTY 2)			
101	0270L00612DG	DRAIN PAN			
111	0121L00551	HEAT EXCHANGER ANGLE, RH SIDE			
121	0121L00552	HEAT EXCHANGER ANGLE, LH SIDE			
131	0121L00553	LOWER HEAT EXCHANGER ANGLE (QTY 2)			
141	0121L00913	BRACKET-COND/BASEPAN (QTY 2)			
151	0121L01158	SHIELD, BLOWOFF			
161	0121L00481	BLOWER RAIL (QTY 2)			
201	0121L00901	BRACE-COND COILS (QTY 2)			
211	0121L01037	ANGLE, TOP BRACE (QTY 2)			
221	0201L00151	CONDENSER COIL ASSY C1			
231	0201L00152	CONDENSER COIL ASSY C2			
241	0121L01154	BRACKET, CONDENSER END C1			
251	0121L01156	BRACKET, CONDENSER END C2			
261	0121L00572	CONDENSER BLOCKOFF, INSIDE TOP			
271	0121L01155	BRACKET, COND/POST C1			
281	0121L01153	BRACKET, COND/POST C2			
291	0121L00910	COVER-COIL CLEANING (QTY 2)			
311	0202L00047	EVAPORATOR COIL ASSY			
321	0121L00698	EVAPORATOR BLOCKOFF PANEL			
331	0121L00848	PANEL-EVAPORATOR, SMOKE DET			
351	0121L00933	ANGLE-FILTER, LEFT VERTICAL			
361	0121L01180	TOP ANGLE FILTER			
371	0121L01179	BOTTOM FILTER RACK			
381	0270L00658	CENTER FILTER RACK			
391	0121L04205	SUPPORT ANGLE-FILTER			
401	0121L00640	FILTER PULL (QTY 2)			
411	0121L00703	BOTTOM BLOCKOFF, FILTER RACK			
NS	0160L00137	FILTER, 20 X 25 X 2, STANDARD (QTY 6)			
NS	0164G00004	GROMMET-HORSESHOE 1.75 (QTY 2)			
NS	0121L00321	SMOKE DETECTOR COVER			

Expanded Model Nomenclature

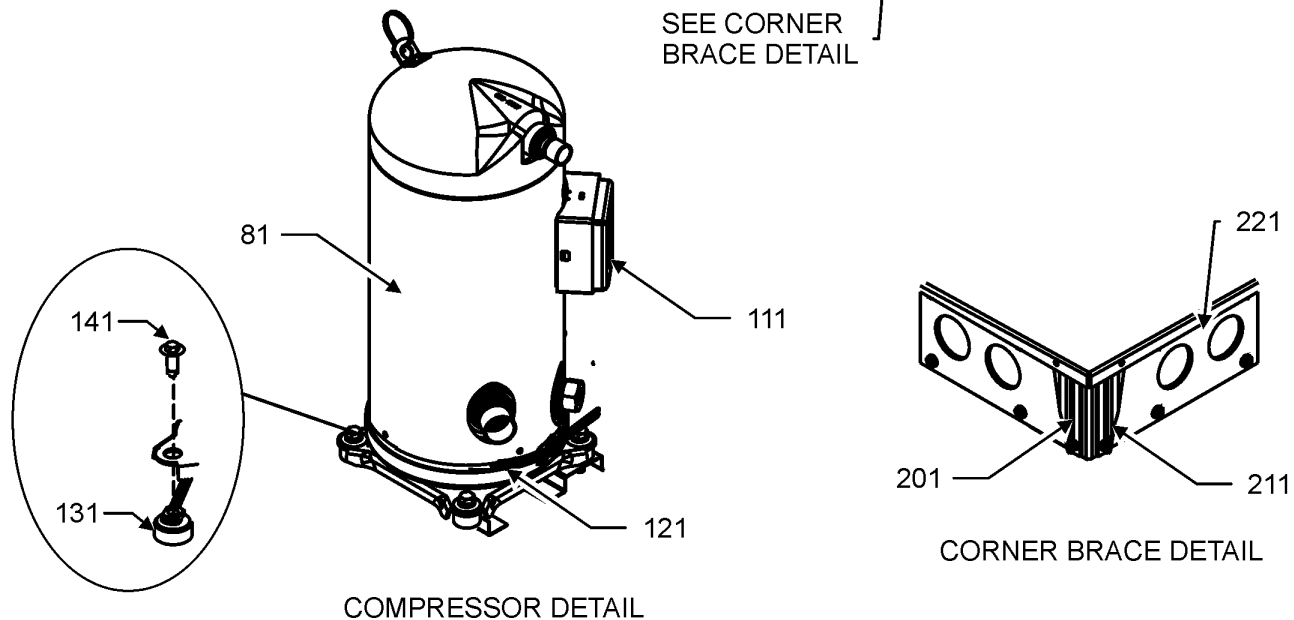
M1 - DBG2403VDDCAA
M2 - DBG2404VDDCAA
M3 - DBG2407VDDCAA

Tubing and Compressor Assembly

TUBING ASSEMBLY



TUBING ASSEMBLY MAY DIFFER FROM WHAT IS SHOWN



Tubing and Compressor Assembly

Ref. Part No:	Part No:	Description:	Ref. Part No:	Part No:	Description:
---------------	----------	--------------	---------------	----------	--------------

Image 1:

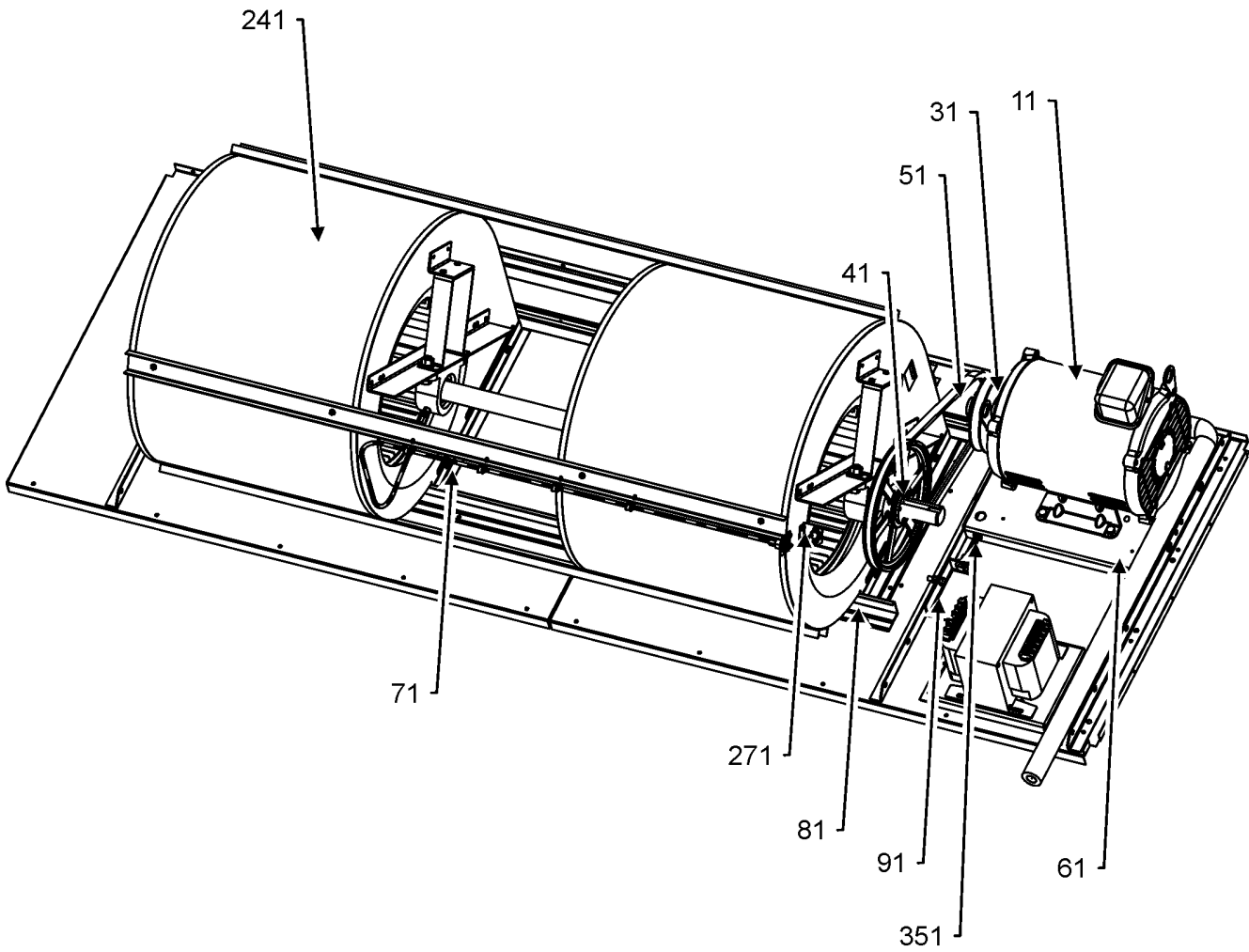
41	0130M00074	HIGH PRESSURE SWITCH
51	0130M00087	LOW PRESSURE SWITCH
61	0151M00012	BI-FLOW FILTER DRIER
71	0151L00011	VALVE, TXV R-410A
81	ZP122KCETFD155	COMP, 124000, 460/60/3 (M2)
81	ZP122KCETFE155	COMP, 124000, 575/60/3 (M3)
81	ZP122KCETF5250	COMP, 124000, 200/230/60/3 (M1)
91	0121L00720	SIDE RAIL
101	0121L00719	CONTROL SIDE BASE RAIL
111	0159L00072	Harness, comp scroll (M2, M3)
111	0159L00073	Harness, comp scroll (M2, M3)
111	0159L00048	HARNES-COMPRESSOR (M1)
111	0159L00049	HARNES-COMPRESSOR (M1)
121	0130L00019	CRANK CASE HEATER, 70W, 575V (M3)
121	0130L00017	CRANK CASE HEATER-70W 240V (M1)
121	0130L00018	CRANK CASE HEATER-70W, 480V (M2)
131	0164M00018	COMPRESSOR GROMMET (QTY 8)
141	B1393740	COMPRESSOR BOLT & SLEEVE (QTY 8)
201	0121L00616	RAIL BRACE ANGLE, RIGHT (QTY 4)
211	0121L00617	RAIL BRACE ANGLE, LEFT (QTY 4)
221	0121L00723	BASE RAIL CORNER BRACE (QTY 4)
241	0130M00074	HIGH PRESSURE SWITCH
251	0130M00087	LOW PRESSURE SWITCH
NS	0121L00722	BASE RAIL, ACCESSORY END
NS	0121L00721	BASE RAIL, CONDENSER END (QTY 2)
NS	0163M00175	CAP WITH O-RING (QTY 4)
NS	0121L00625	COMPRESSOR RAIL BRACKET (QTY 4)
NS	0130L00228	DUCT TEMPERATURE SENSOR
NS	0141L00029	FORK BOARD (QTY 2)
NS	0121L00724	FORK BOARD BRACKET (QTY 4)
NS	0121L00605	FORK BOARD PLATE
NS	0130L00227	OUTDOOR AIR TEMP SENSOR

Expanded Model Nomenclature

M1 - DBG2403VDDCAA
M2 - DBG2404VDDCAA
M3 - DBG2407VDDCAA

Blower Assembly

BLOWER ASSEMBLY



BLOWER ASSEMBLY MAY DIFFER FROM WHAT IS SHOWN

Blower Assembly

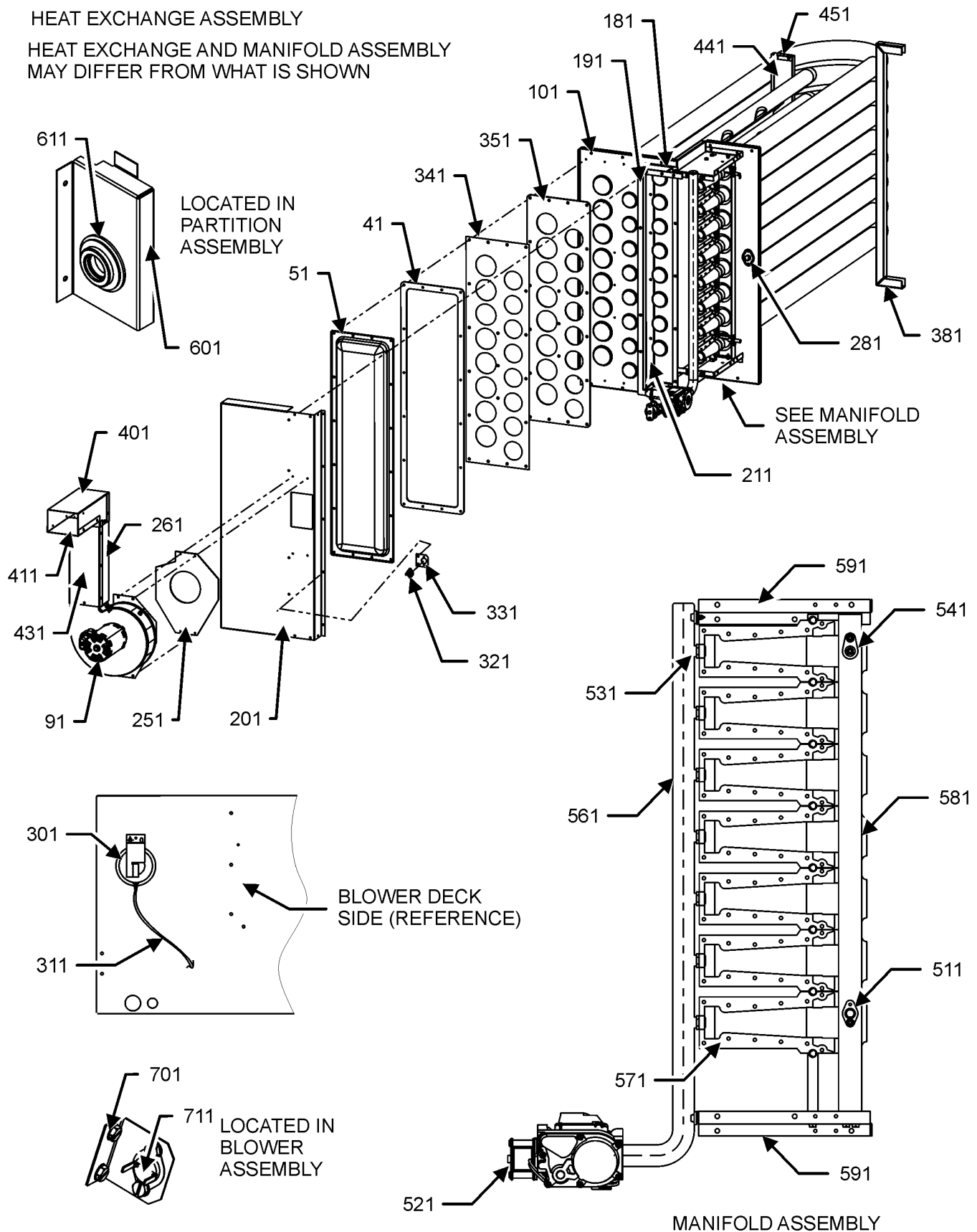
Ref. Part No:	No:	Description:	Ref. Part No:	No:	Description:
Image 1:					
11	0131L00025	MOTOR, 5 HP BELT DRIVE 230V (M1)			
11	0131L00031	MOTOR, 5 HP BELT DRIVE 460 V (M2)			
11	0131L00028	MOTOR, 5 HP BELT DRIVE 575 V (M3)			
31	0163L00052	SHEAVE-VARIABLE PITCH			
41	0163L00139	SHEAVE, FIXED BK100H			
51	0164L00013	FAN BELT-NOTCHED			
61	0121L01430	BASE, MOTOR			
71	0121L00482	BLOWER SIDE ANGLE (QTY 4)			
81	0121L00479	RAIL-BLOWER (QTY 2)			
91	0121L01429	BRACKET, DRIVE SCREW			
241	04-01542	BLOWER HOUSING			
271	0121L00053	BRACKET FLAME ROLLOUT			
351	0163M00351	BOLT, 3/8-16-6			
NS	0163M00352	3/8-16 JAM NUT			
NS	04-02197	BEARING&FRAME ASSY			
NS	04-11552	BLOWER SHAFT			
NS	04-78499	BLOWER WHEEL			
NS	0163M00084	HEX LOCKNUT, NYLON INSERT			
NS	0163M00085	WASHER (QTY 4)			
NS	B1392923	WASHER / FLAT (QTY 3)			

Expanded Model Nomenclature

M1 - DBG2403VDDCAA
M2 - DBG2404VDDCAA
M3 - DBG2407VDDCAA

Heat Exchange Assembly

HEAT EXCHANGE ASSEMBLY
 HEAT EXCHANGE AND MANIFOLD ASSEMBLY
 MAY DIFFER FROM WHAT IS SHOWN



Heat Exchange Assembly

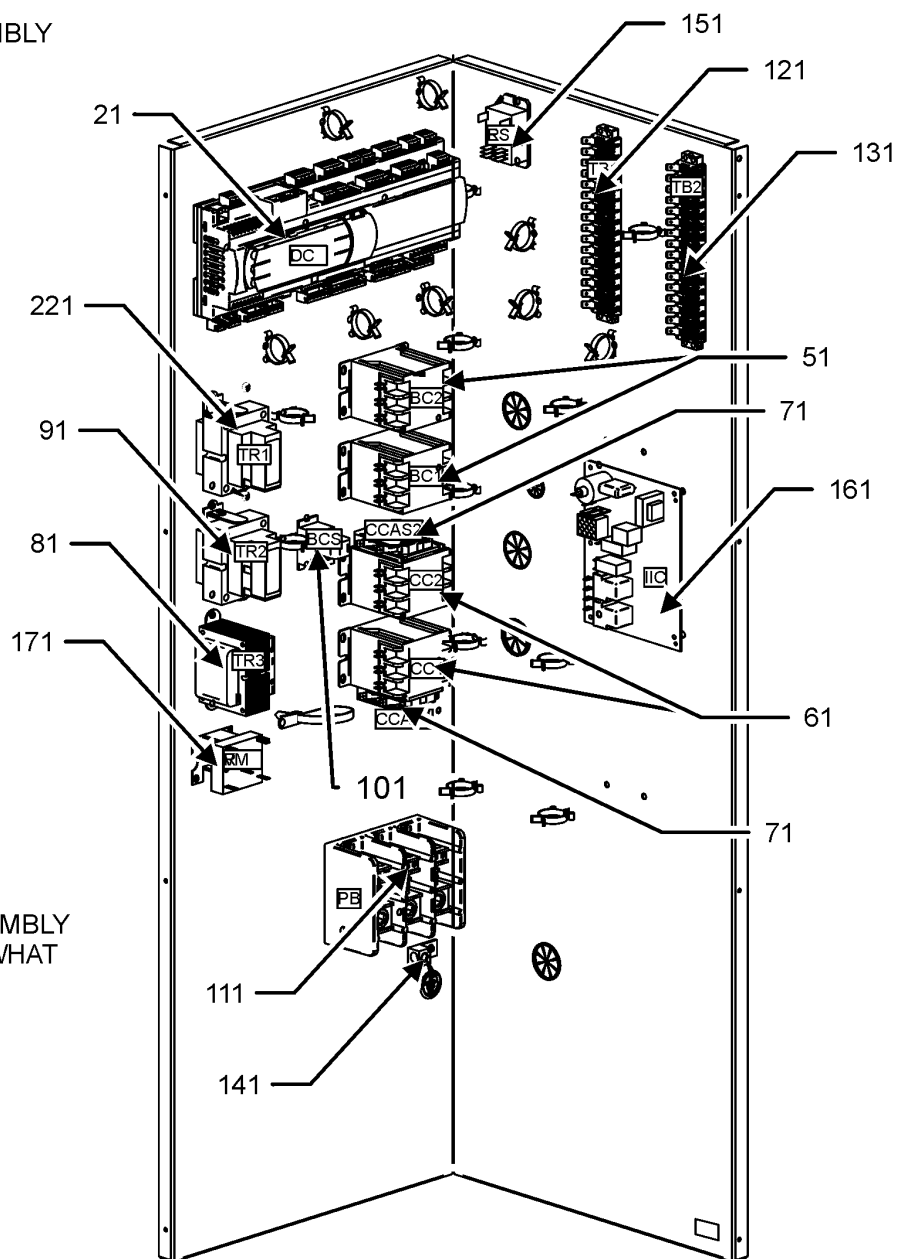
Ref. Part No:	Part No:	Description:	Ref. Part No:	Part No:	Description:
Image 1:					
41	0154L00025	GASKET-COVER REAR 8			
51	0121L00545	COVER-REAR 8 TUBE			
91	0131L00014	MOTOR-ID VENT			
101	0270L00186	PARTITION TUBE ASSY 8B			
181	0154L00026	INNER COLLECTOR BOX GASKET			
191	0154L00027	OUTER COLLECTOR BOX GASKET			
201	0121L00550	COVER-COLLECTOR BOX 8			
211	0121L00546	CHANNEL-COLLECTOR BOX 8			
251	0154L00029	GASKET COMBUSTION BLOWER			
261	0121L00668	FLUE WRAPPER, BACK			
281	20162903	PRIMARY LIMIT-TEMPERATURE CONTROL			
301	11112501	PRESSURE SWITCH			
311	A3468601	PRESSURE SWITCH HOSE			
321	10123529	MANUAL RESET LIMIT			
331	0121L00053	FLAME ROLLOUT BRACKET			
341	0121L00548	PLATE-TUBE PANEL 8			
351	0154L00028	GASKET-TUBE PANEL 8			
381	0121L00930	SUPPORT-HEAT TUBES 2.25			
401	0121L02100	FLUE WRAPPER EXT			
411	0121L00671	FLUE COVER EXT			
431	0121L00669	FLUE COVER, FRONT			
441	0121L00808	SUPPORT-HEAT TUBES 2.25			
451	0121L00823	BRACKET-TUBE SUPPORT			
511	0130L00251	IGNITOR			
521	0151M00015	VALVE, GAS (HW) VR83			
531	0163L00014	ORIFICE (QTY 8)			
541	0130F00010	FLAME SENSOR			
561	0163L00033	MANIFOLD-GAS, 8 BURNER			
571	0163L00000	BECKETT BURNER (QTY 8)			
581	0121L00635	BRACKET-8 BURNERS			
591	0121G00268	BRACKET-BURNER TOP/BOT (QTY 2)			
601	0121L00697	BRACKET GAS VALVE PIPE			
611	B1910013	1 1/8" GROMMET			
701	0121L00594	BRACKET SECONDARY LIMIT			
711	0130M00064	LIMIT			
NS	0163L00040	FLUE SCREEN			

Expanded Model Nomenclature

M1 - DBG2403VDDCAA
M2 - DBG2404VDDCAA
M3 - DBG2407VDDCAA

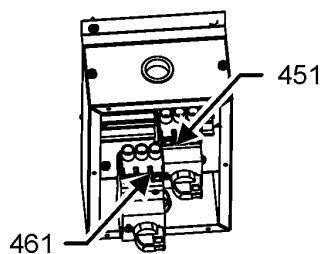
Control Box Assembly

CONTROL BOX ASSEMBLY

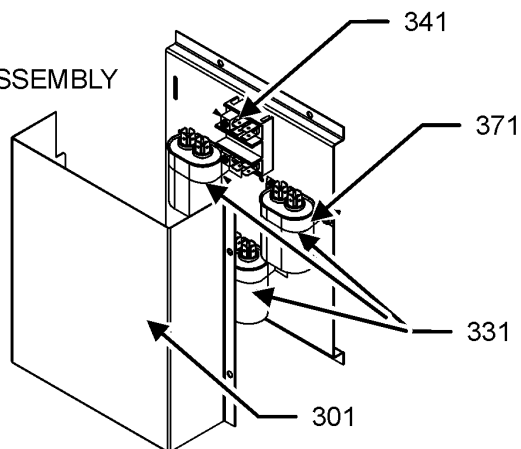


CONTROL BOX ASSEMBLY
MAY DIFFER FROM WHAT
IS SHOWN

CIRCUIT BREAKER ASSEMBLY



CAPACITOR ASSEMBLY



Control Box Assembly

Ref. Part No:	Part No:	Description:	Ref. Part No:	Part No:	Description:
---------------	----------	--------------	---------------	----------	--------------

Image 1:

21	0130M00579	DDC CONTROLLER 3910
51	CONT3P030024V	CONT, 3 POLE, 30 AMP, 24 VAC (M2, M3)
51	CONT3P040024V	CONT, 3 POLE, 40 AMP, 24 VAC (M1)
61	CONT3P030024V	CONT, 3 POLE, 30 AMP, 24 VAC (M2, M3)
61	CONT3P040024V	CONT, 3 POLE, 40 AMP, 24 VAC (M1)
71	0130M00249	AUXILLARY SWITCH (QTY 2)
81	0130M00596	TRANSFMR, 150 VA, 480V TO 23 (M2)
81	0130M00597	TRANSFMR, 150 VA, 575V TO 230V (M3)
91	0130M00598	TRANSFMR, 75VA, 575V TO 24V (M3)
91	0130M00594	TRANSFORMER (M1)
91	0130M00595	TRANSFORMER, 75VA, 480V TO 24V (M2)
101	0259L00368	CURRENT SWITCH WITH TERMS
111	0130M00042	POWER BLOCK
121	0130M00414	TERMINAL BOARD
131	0130M00415	TERMINAL BOARD
141	0130L00005	GROUND LUG
151	0130M00178	DPDT RELAY 24 VAC
161	PCBAG123	PCB, IGNITION, DSI, INTEG
171	0130M00025	RELYA SPDT
221	0130L00205	TRANSFORMER (M1)
221	0130L00206	TRANSFORMER (M2)
221	0130L00207	TRANSFORMER (M3)
301	0121L03808	COVER, CAPACITOR
331	CAP100000370LA	CAPACITOR 10/370V (M1)
331	CAP050000440LA	CAPACITOR 5/440V (M2, M3)
341	B1368250	TERMINAL BLOCK (HIGH VOLTAGE)
371	20520901	CAPACITOR STRAP (QTY 3)
451	0130L00083	ROTARY MANUAL MOTOR PROTECTOR (M3)
451	0130L00084	ROTARY MANUAL MOTOR PROTECTOR (M2)
451	0130L00085	ROTARY MANUAL MOTOR PROTECTOR (M1)
461	0130L00082	ROTARY MANUAL MOTOR PROTECTOR (M2, M3)
461	0130L00084	ROTARY MANUAL MOTOR PROTECTOR (M1)
NS	B821700	BOOT, CAPACITOR
NS	BDG-ILINQA	DAIKIN ILINQ BACNET DES GUIDE
NS	QSG-ILINQA	DAIKIN ILINQ QUICK START GUIDE
NS	UM-ILINQA	DAIKIN ILINQ USER MANUAL
NS	0130L00252	PROGRAM, APP, CONTROLLER, DDC
NS	0130L00226	SPACE TEMPERATURE SENSOR

Expanded Model Nomenclature

- | |
|--------------------|
| M1 - DBG2403VDDCAA |
| M2 - DBG2404VDDCAA |
| M3 - DBG2407VDDCAA |

ACCESSORY PARTS LIST

NOTE: NOT ALL OPTIONS AVAILABLE FOR ALL PRODUCTS

FOR ACCESSORY PARTS SEE THE FOLLOWING PART MANUAL

RP-FIOPLC*

RP-EHS[D/B]LC*

RP-EHX[D/B]LC*

ACCESSORY PARTS LIST

Ref. Part No: No:	Description:	Ref. Part No: No:	Description:
----------------------	--------------	----------------------	--------------

Image 1:

NS	RP-FIOPLC*	ACCESSORY PART MANUAL
NS	RP-EHSBLC*	HEATER KIT MANUAL
NS	RP-EHSDLC*	HEATER KIT MANUAL
NS	RP-EHXBLC*	HEATER KIT MANUAL
NS	RP-EHXDLC*	HEATER KIT MANUAL

Expanded Model Nomenclature

M1 - DBG2403VDDCAA
M2 - DBG2404VDDCAA
M3 - DBG2407VDDCAA