
Commercial 20 Ton 2-Speed High Static Package Gas Unit

DBG2403SAA
DBG2403VAA
DBG2403VH00001SAA
DBG2404SAA
DBG2404VAA
DBG2404VH00001SAA
DBG2407SAA
DBG2407VAA
DBG2407VH00001SAA



This manual is to be used by qualified technicians only.

Important Information

Index

| | |
|------------------------------|--------|
| Functional Parts List | 3 |
| Illustration and Parts | 4 - 17 |

Views shown are for parts illustrations only, not servicing procedures

Text Codes:

AR - As Required

NA - Not Available

NS - Not Shown

00000000 - See Note

QTY - Quantity Example (QTY 3) (If Quantity not shown, Quantity = 1)

M - Model Example (M1) (If M Code not shown, then part is used on all Models)

Expanded Model Nomenclature:

| |
|---|
| Example M1 - Model#1 M2 - Model#2 M3 - Model#3 |
|---|

Daikin Company, L.P. is not responsible for personal injury or property damage resulting from improper service. Review all service information before beginning repairs.

Warranty service must be performed by an authorized technician, using authorized factory parts. If service is required after the warranty expires, Daikin Company, L.P. also recommends contacting an authorized technician and using authorized factory parts.

Daikin Company, L.P. reserves the right to discontinue, or change at any time, specifications or designs without notice or without incurring obligations.

For assistance within the U.S.A. contact:

Equipment Support
Daikin North America, LLC
19001 Kermier Road
Waller, Texas 77484
855-770-5678-Telephone
713-863-2382-Facsimile

For assistance outside the U.S.A. contact:

International Division
Daikin North America, LLC
19001 Kermier Road
Waller, Texas 77484
713-861-2500-Telephone
713-863-2382-Facsimile

Functional Parts

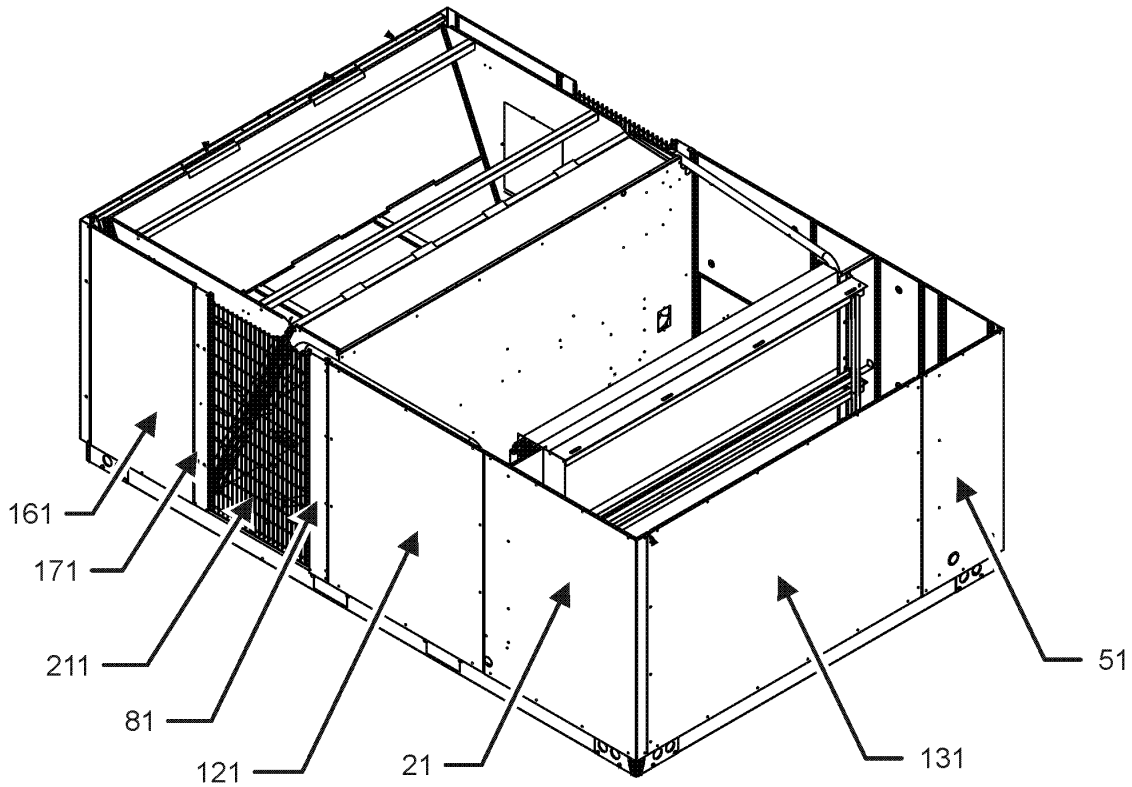
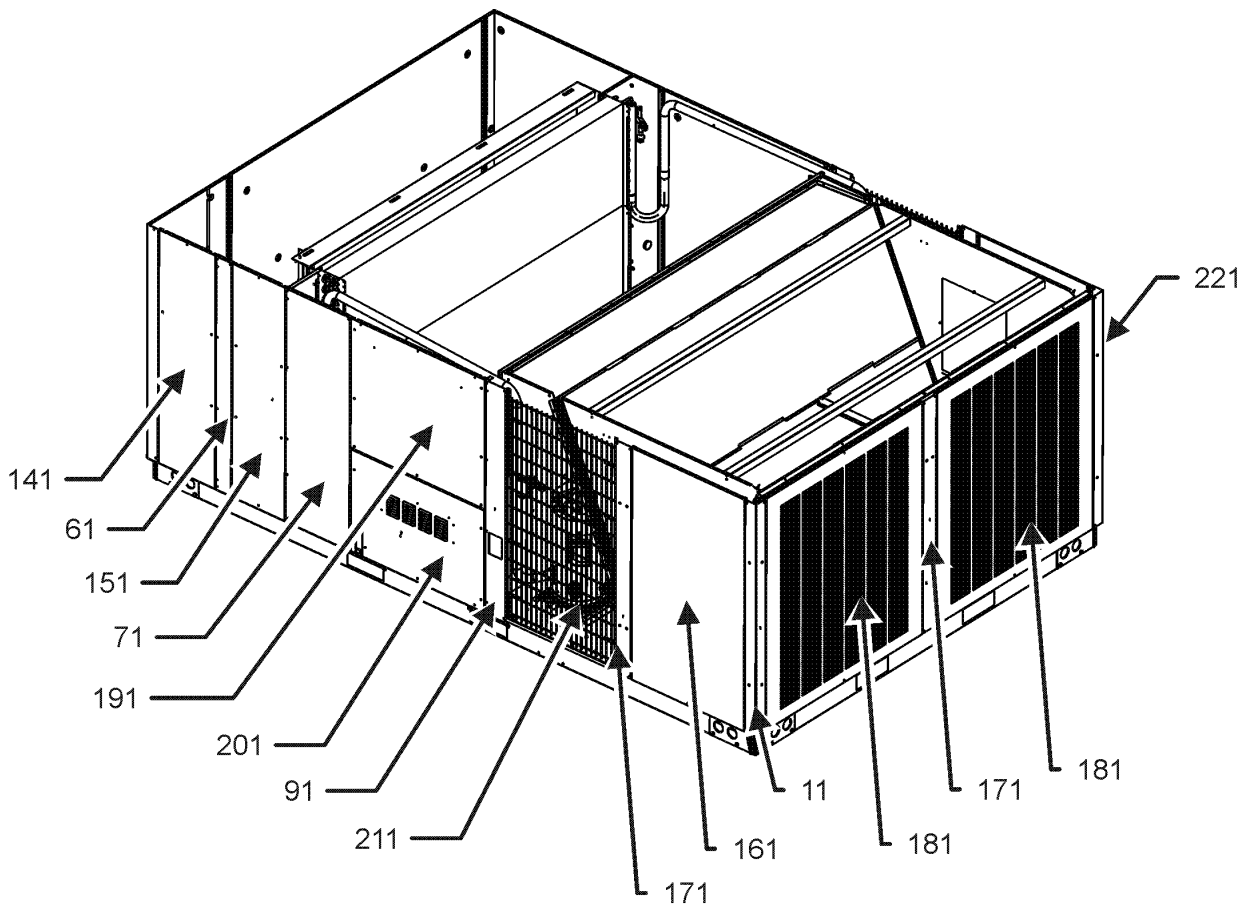
Part No: **Description:**

| | |
|----------------|---|
| 0271L00027 | 150-15R BD 1.44 TWIN BLOWER |
| 0163L00000 | BECKETT BURNER (QTY 8) |
| CAP050000440LA | CAPACITOR (M7, M8, M9) |
| CAP100000370LA | CAPACITOR 10/370V (M1, M2, M3, M4, M5, M6) |
| ZP122KCETFD155 | COMP, 124000, 460/60/3 (M4, M5, M6) |
| ZP122KCETFE155 | COMP, 124000, 575/60/3 (M7, M8, M9) |
| ZP122KCETF5250 | COMP, 124000, 200/230/60/3 (M1, M2, M3) |
| CONT3P030024V | CONT, 3 POLE, 30 AMP, 24 VAC (M4, M5, M6, M7, M8, M9) |
| CONT3P040024V | CONT, 3 POLE, 40 AMP, 24 VAC (M1, M2, M3) |
| CONT3P050024V | CONT, 3 POLE, 50 AMP, 24 VAC (M1, M2, M3) |
| 0130L00019 | CRANK CASE HEATER, 70W, 575V (M7, M8, M9) |
| 0130L00017 | CRANK CASE HEATER-70W 240V (M1, M2, M3) |
| 0130L00018 | CRANK CASE HEATER-70W, 480V (M4, M5, M6) |
| 0130M00074 | CUT-OUT SWITCH, HIGH PRESSURE |
| 0130M00087 | CUT-OUT SWITCH, LOW PRESSURE |
| 0164L00006 | FAN BELT, NOTCHED (M1, M4, M7) |
| 0164L00013 | FAN BELT-NOTCHED (M2, M3, M5, M6, M8, M9) |
| 10625733 | FAN BLADE 22" ALUM CCW (QTY 3) |
| 0130F00010 | FLAME SENSOR |
| PCBAG123 | IGNITION BOARD, DSI INTEGRATED |
| 20261709 | IGNITOR |
| 0130M00064 | LIMIT |
| 10123529 | MANUAL RESET LIMIT |
| 0131L00025 | MOTOR, 5 HP BELT DRIVE 230V (M2, M3) |
| 0131L00031 | MOTOR, 5 HP BELT DRIVE 460 V (M5, M6) |
| 0131L00028 | MOTOR, 5 HP BELT DRIVE 575 V (M8, M9) |
| 0131L00118 | MOTOR, 7.5 H.P. (M4) |
| 0131L00117 | MOTOR, 7.5 H.P. (M1) |
| 0131L00119 | MOTOR, 7.5 H.P. (M7) |
| 0131M00907 | MOTOR, HP, 1/3, OD (M4, M5, M6) |
| 0131M00908 | MOTOR, HP, 1/3, OD, LAK (M7, M8, M9) |
| 0131M00906 | MOTOR, HP, 1/3, SP, 1, PL, 6 (M1, M2, M3) |
| 11112501 | PRESSURE SWITCH |
| 20162903 | PRIMARY LIMIT - BLUE |
| 10135604 | RELAY (QTY 2) |
| 0130M00038 | TERMINAL BOARD |
| 0130M00596 | TRANS, 150VA, 480V TO 230V (M4, M5, M6) |
| 0130M00597 | TRANS, 150VA, 575V TO 230V (M7, M8, M9) |
| 0130L00206 | TRANSFORMER (M4, M5, M6) |
| 0130L00207 | TRANSFORMER (M7, M8, M9) |
| 0130L00205 | TRANSFORMER (M1, M2, M3) |
| 0151M00015 | VALVE, GAS (HW) VR83 |

Expanded Model Nomenclature

| |
|------------------------|
| M1 - DBG2403SAA |
| M2 - DBG2403VAA |
| M3 - DBG2403VH00001SAA |
| M4 - DBG2404SAA |
| M5 - DBG2404VAA |
| M6 - DBG2404VH00001SAA |
| M7 - DBG2407SAA |
| M8 - DBG2407VAA |
| M9 - DBG2407VH00001SAA |

Cabinet Assembly



Cabinet Assembly

| Ref. Part No: | Part No: | Description: | Ref. Part No: | Part No: | Description: |
|---------------|----------|--------------|---------------|----------|--------------|
|---------------|----------|--------------|---------------|----------|--------------|

Image 1:

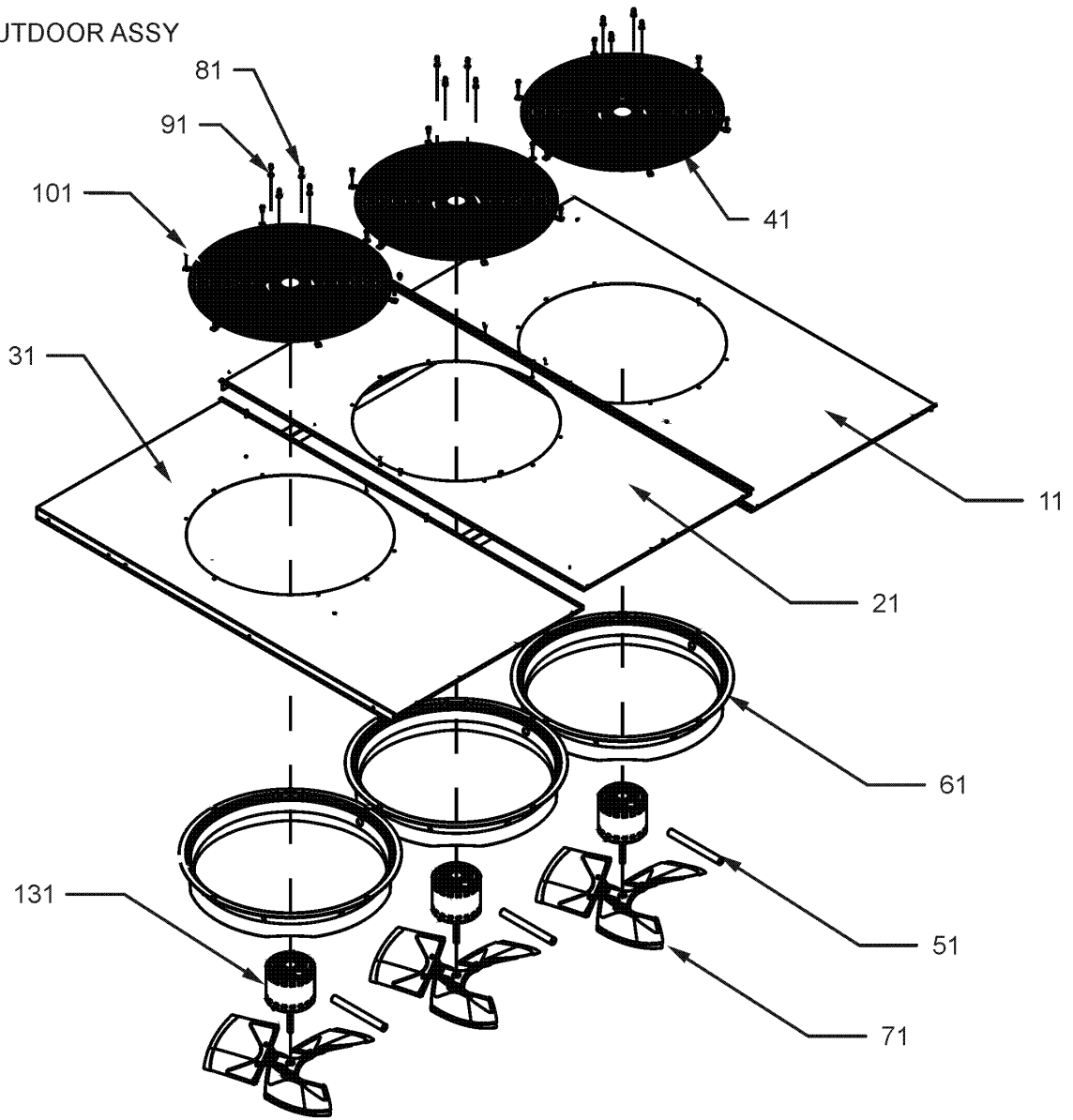
| | | | | | |
|-----|--------------|--------------------------------|--|--|--|
| 11 | 0121L01143SB | CORNER POST (QTY 2) | | | |
| 21 | 0121L00681SB | EVAP PANEL | | | |
| 51 | 0121L00679SB | CONTROL CORNER PANEL | | | |
| 61 | 0121L02048SB | PNT, POST-CONTROL /FILTER | | | |
| 71 | 0121L00710SB | BLOWER DOOR POST | | | |
| 81 | 0121L00903SB | POST-PARTITION, EVAP SIDE | | | |
| 91 | 0121L00904SB | POST-PARTITION, GAS FLUE | | | |
| 121 | 0121L00685SB | BLOWER DOOR, EVAP SIDE | | | |
| 131 | 0121L00688SB | ACCESSORY PANEL | | | |
| 141 | 0121L00687SB | PNT, DOOR-CONTROL | | | |
| 151 | 0121L00686SB | FILTER DOOR | | | |
| 161 | 0121L00907SB | PANEL-CONDENSER SIDE (QTY 2) | | | |
| 171 | 0121L01144SB | POST, COND PANEL (QTY 3) | | | |
| 181 | 0121L01174SB | PANEL-LOUVER, END (QTY 2) | | | |
| 191 | 0121L00713SB | BLOWER DOOR GAS | | | |
| 201 | 0121L00712SB | BURNER DOOR | | | |
| 211 | 0152L00000 | GRILLE-CONDENSER (QTY 2) | | | |
| 221 | 0121L00476SB | PNT, TURNBUCKLE, DOOR (QTY 16) | | | |
| NS | 0121L00562SB | PNT, HOOD-COMBUSTION AIR | | | |
| NS | M0204317 | SCREW-MACH (QTY 16) | | | |

Expanded Model Nomenclature

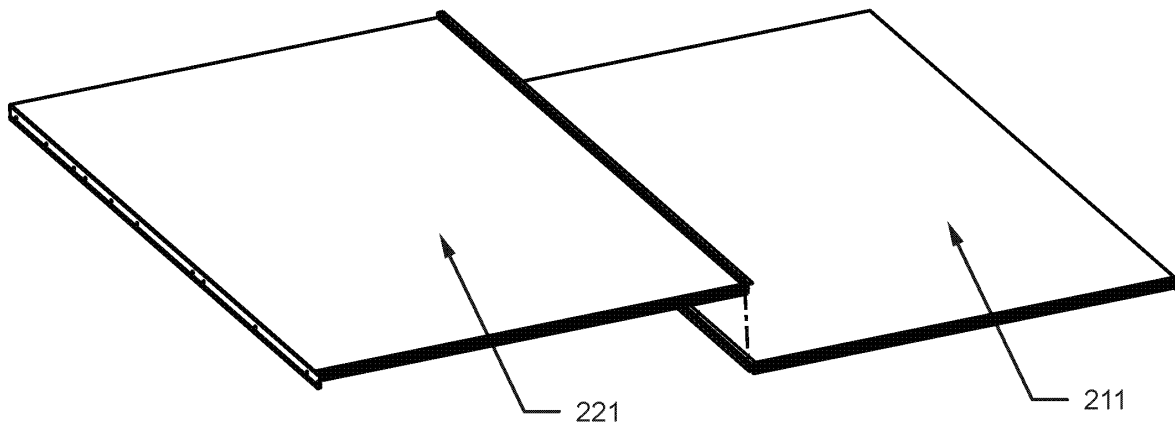
- | |
|------------------------|
| M1 - DBG2403SAA |
| M2 - DBG2403VAA |
| M3 - DBG2403VH00001SAA |
| M4 - DBG2404SAA |
| M5 - DBG2404VAA |
| M6 - DBG2404VH00001SAA |
| M7 - DBG2407SAA |
| M8 - DBG2407VAA |
| M9 - DBG2407VH00001SAA |

Top Panel Assembly

TOP PANEL OUTDOOR ASSY



TOP PANEL INDOOR ASSY



Top Panel Assembly

| Ref. Part No: No: | Description: | Ref. Part No: No: | Description: |
|-------------------|--------------|-------------------|--------------|
|-------------------|--------------|-------------------|--------------|

Image 1:

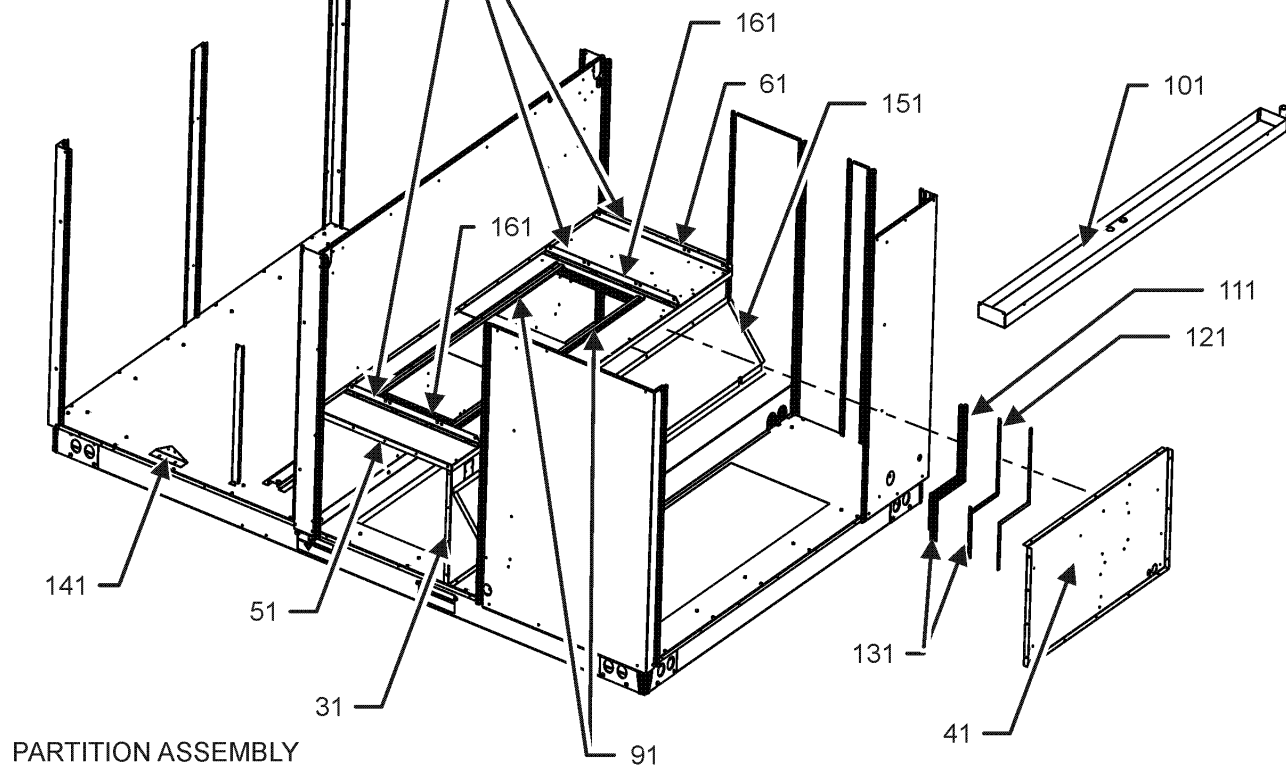
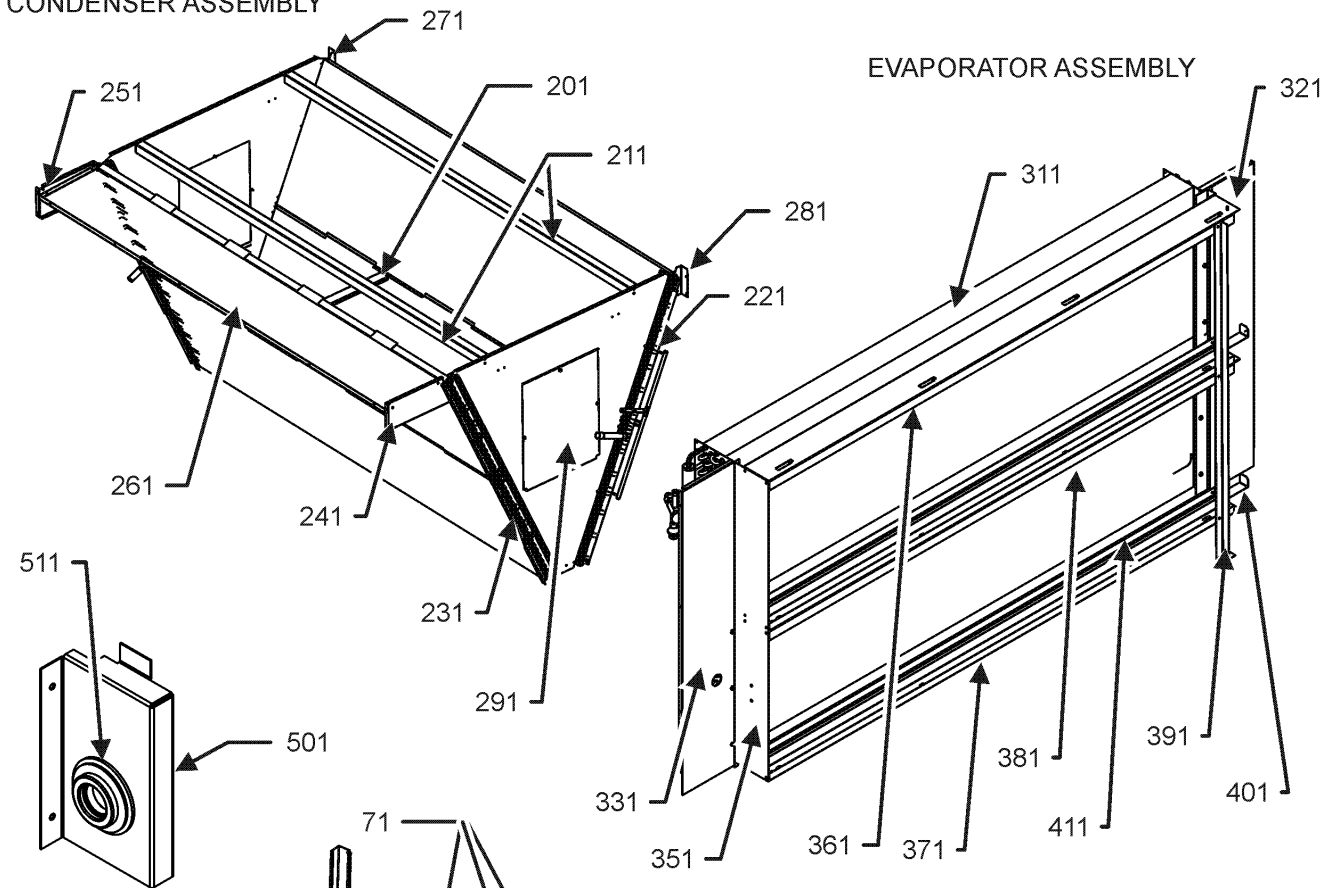
| | | |
|-----|--------------|---|
| 11 | 0121L01038SB | PNT, TOP-FAN, CONTROL SIDE |
| 21 | 0121L01039SB | PNT, TOP-FAN, CENTER |
| 31 | 0121L01040SB | PNT, TOP-FAN, EVAP SIDE |
| 41 | 0152G00003 | FAN GRILLE (QTY 3) |
| 51 | 0161R00003P | CONDUIT (QTY 3) |
| 61 | 0161L00000 | VENTURI RING 22" (QTY 3) |
| 71 | 10625733 | FAN BLADE 22" ALUM CCW (QTY 3) |
| 81 | 0163M00006P | ACORN NUT 5/16 HEX BLACK (QTY 12) |
| 91 | 0163M00005P | WASHER BLACK (.50 OD .218ID) (QTY 12) |
| 101 | 0163M00004 | SCREW #10X3/4", BLACK (QTY 24) |
| 131 | 0131M00907 | MOTOR, HP, 1/3, OD (M4, M5, M6) |
| 131 | 0131M00908 | MOTOR, HP, 1/3, OD, LAK (M7, M8, M9) |
| 131 | 0131M00906 | MOTOR, HP, 1/3, SP, 1, PL, 6 (M1, M2, M3) |
| 211 | 0121L00693SB | TOP, CONTROL SIDE |
| 221 | 0121L00694SB | TOP, EVAP SIDE |
| NS | M0272803 | WASHER-LOCK (QTY 3) |

Expanded Model Nomenclature

| |
|------------------------|
| M1 - DBG2403SAA |
| M2 - DBG2403VAA |
| M3 - DBG2403VH00001SAA |
| M4 - DBG2404SAA |
| M5 - DBG2404VAA |
| M6 - DBG2404VH00001SAA |
| M7 - DBG2407SAA |
| M8 - DBG2407VAA |
| M9 - DBG2407VH00001SAA |

Condenser, Evaporator and Partition Assy

CONDENSER ASSEMBLY



PARTITION ASSEMBLY

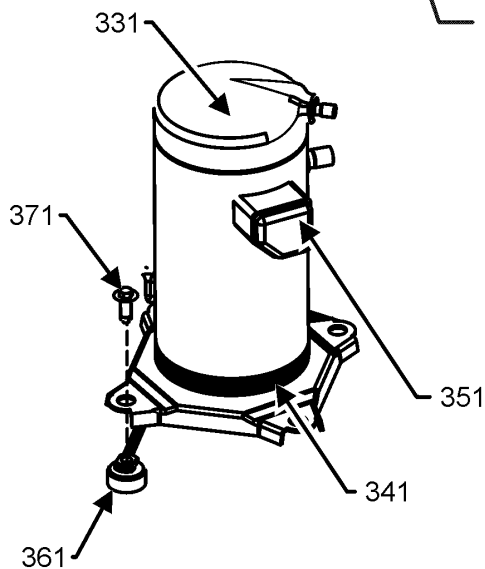
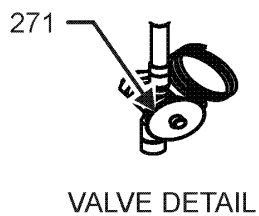
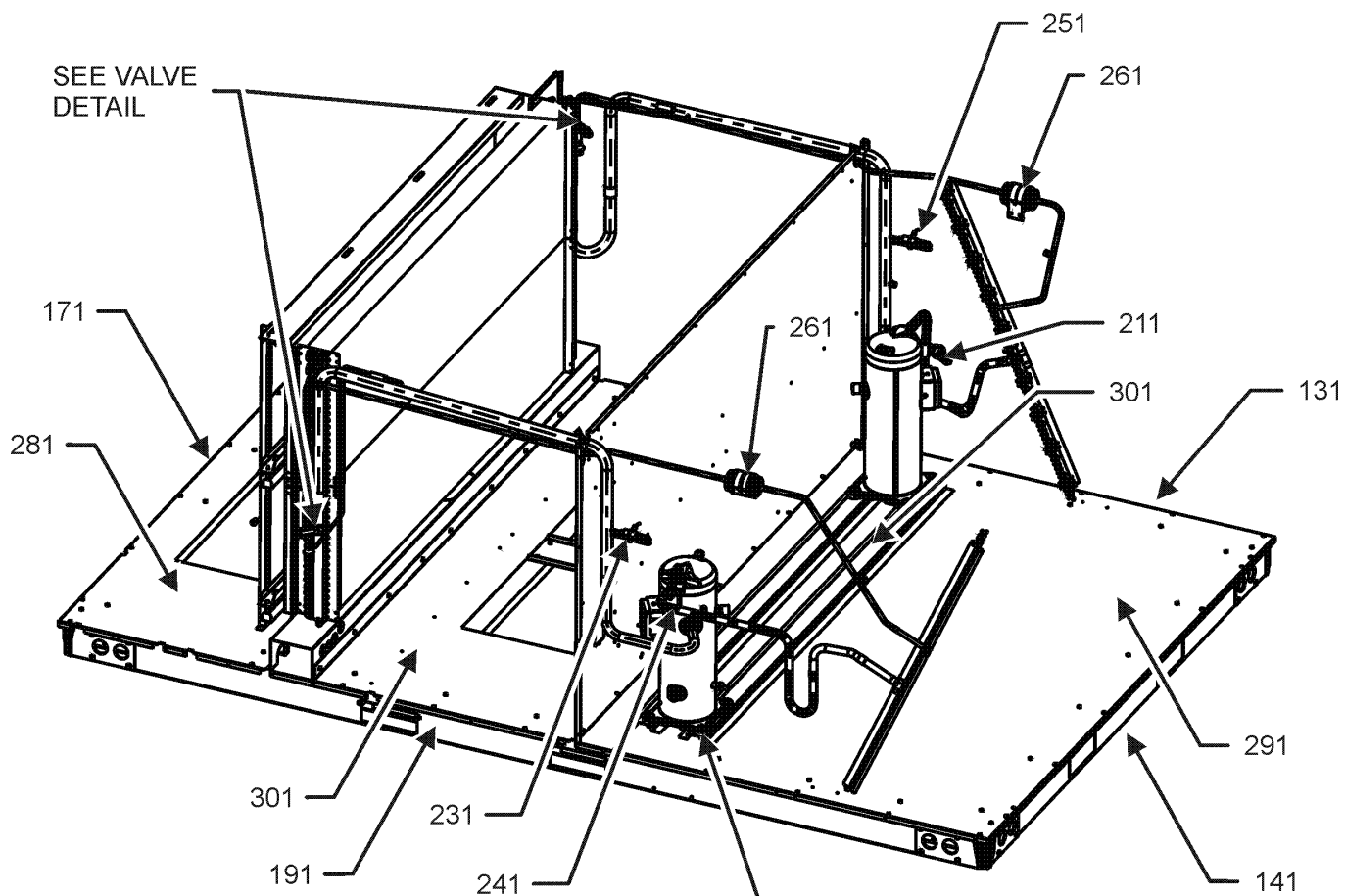
Condenser, Evaporator and Partition Assy

| Ref. Part No: | Part No: | Description: | Ref. Part No: | Part No: | Description: |
|-----------------|--------------|--|---------------|----------|--------------|
| Image 1: | | | | | |
| 31 | 0121L01163 | DECK, SIDE DUCT END | | | |
| 41 | 0121L01162 | DECK, SIDE HEAT END | | | |
| 51 | 0121L01160 | BLOWER DECK, EVAP SIDE | | | |
| 61 | 0121L01061 | BLOWER DECK, MOTOR SIDE (M1, M4, M7) | | | |
| 61 | 0121L01161 | BLOWER DECK, MOTOR SIDE (M2, M3, M5, M6, M8, M9) | | | |
| 71 | 0121L01431 | ANGLE, MOTOR MOUNT (QTY 3) | | | |
| 91 | 0121L00478 | BLOWER DECK RAIL (QTY 2) | | | |
| 101 | 0270L00612DG | DRAIN PAN | | | |
| 111 | 0121L00551 | HEAT EXCHANGER ANGLE, RH SIDE | | | |
| 121 | 0121L00552 | HEAT EXCHANGER ANGLE, LH SIDE | | | |
| 131 | 0121L00553 | LOWER HEAT EXCHANGER ANGLE (QTY 2) | | | |
| 141 | 0121L00913 | BRACKET-COND/BASEPAN (QTY 2) | | | |
| 151 | 0121L01158 | SHIELD, BLOWOFF | | | |
| 161 | 0121L00481 | BLOWER RAIL (QTY 2) | | | |
| 201 | 0121L00901 | BRACE-COND COILS (QTY 2) | | | |
| 211 | 0121L01037 | ANGLE, TOP BRACE (QTY 2) | | | |
| 221 | 0201L00151 | CONDENSER COIL ASSY C1 | | | |
| 231 | 0201L00152 | CONDENSER COIL ASSY C2 | | | |
| 241 | 0121L01154 | BRACKET, CONDENSER END C1 | | | |
| 251 | 0121L01156 | BRACKET, CONDENSER END C2 | | | |
| 261 | 0121L00572 | CONDENSER BLOCKOFF, INSIDE TOP | | | |
| 271 | 0121L01155 | BRACKET, COND/POST C1 | | | |
| 281 | 0121L01153 | BRACKET, COND/POST C2 | | | |
| 291 | 0121L00910 | COVER-COIL CLEANING (QTY 2) | | | |
| 311 | 0202L00047 | EVAPORATOR COIL ASSY (QTY 2) | | | |
| 321 | 0121L00698 | EVAPORATOR BLOCKOFF PANEL | | | |
| 331 | 0121L00848 | PANEL-EVAPORATOR, SMOKE DET | | | |
| 351 | 0121L00933 | ANGLE-FILTER, LEFT VERTICAL | | | |
| 361 | 0121L01180 | TOP ANGLE FILTER | | | |
| 371 | 0121L01179 | BOTTOM FILTER RACK | | | |
| 381 | 0270L00658 | CENTER FILTER RACK | | | |
| 391 | 0121L00632 | FILTER SUPPORT ANGLE | | | |
| 401 | 0121L00640 | FILTER PULL (QTY 2) | | | |
| 411 | 0121L00703 | BOTTOM BLOCKOFF, FILTER RACK | | | |
| 501 | 0121L00697 | GAS VALVE PIPE BRACKET | | | |
| 511 | B1910013 | GROMMET, 1-1/8 | | | |
| NS | 0160L00137 | FILTER, 20 X 25 X 2, STANDARD (QTY 6) | | | |
| NS | 0121L00321 | SMOKE DETECTOR COVER | | | |

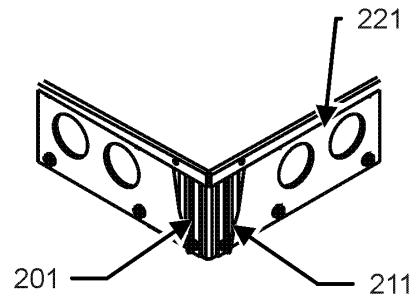
Expanded Model Nomenclature

| |
|------------------------|
| M1 - DBG2403SAA |
| M2 - DBG2403VAA |
| M3 - DBG2403VH00001SAA |
| M4 - DBG2404SAA |
| M5 - DBG2404VAA |
| M6 - DBG2404VH00001SAA |
| M7 - DBG2407SAA |
| M8 - DBG2407VAA |
| M9 - DBG2407VH00001SAA |

Compressor and Tubing Assembly



COMPRESSOR DETAIL



CORNER BRACE DETAIL

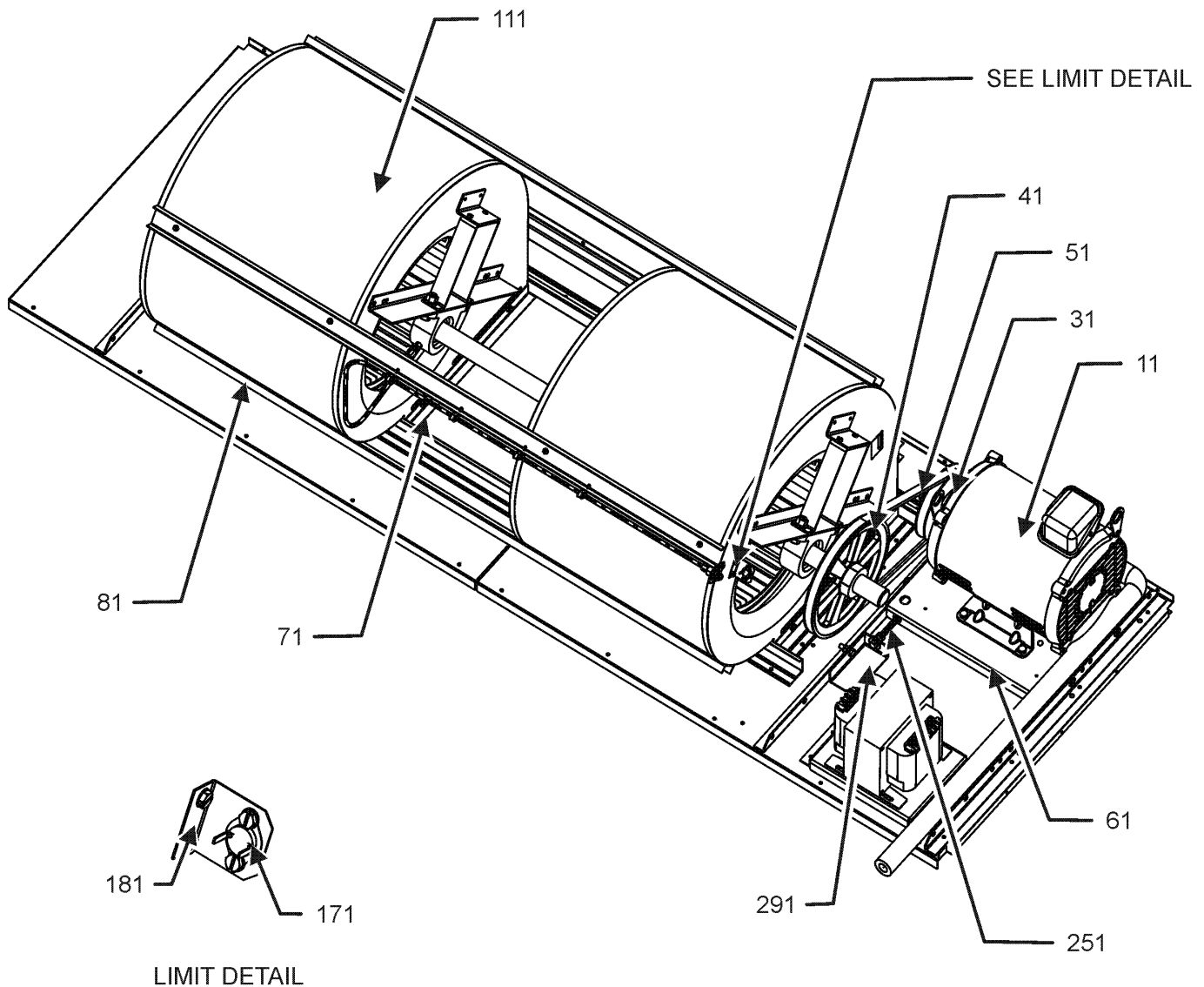
Compressor and Tubing Assembly

| Ref. Part No: | Ref. Part No: | Description: | Description: |
|-----------------|----------------|--|--------------|
| Image 1: | | | |
| 131 | 0121L00720 | SIDE RAIL | |
| 141 | 0121L00721 | BASE RAIL, CONDENSER END (QTY 2) | |
| 171 | 0121L00722 | BASE RAIL, ACCESSORY END | |
| 181 | 0121L00625 | COMPRESSOR RAIL BRACKET (QTY 4) | |
| 191 | 0121L00719 | CONTROL SIDE BASE RAIL | |
| 211 | 0130M00074 | CUT-OUT SWITCH, HIGH PRESSURE | |
| 231 | 0130M00087 | CUT-OUT SWITCH, LOW PRESSURE | |
| 241 | 0130M00074 | CUT-OUT SWITCH, HIGH PRESSURE | |
| 251 | 0130M00087 | CUT-OUT SWITCH, LOW PRESSURE | |
| 261 | 0151M00012 | BI-FLOW FILTER DRIER | |
| 271 | 0151L00011 | VALVE, TXV R-410A (QTY 8) | |
| 281 | 0270L00189 | BASEPAN WELDMENT, RETURN SIDE | |
| 291 | 0270L00336 | BASEPAN WELD, OUTDOOR | |
| 301 | 0121L00948 | BASE PAN-SUPPLY | |
| 321 | 0121L00647 | MTG RAIL-COMPRESSOR (QTY 2) | |
| 331 | ZP122KCETFD155 | COMP, 124000, 460/60/3 (M4, M5, M6) | |
| 331 | ZP122KCETFE155 | COMP, 124000, 575/60/3 (M7, M8, M9) | |
| 331 | ZP122KCETF5250 | COMP, 124000, 200/230/60/3 (M1, M2, M3) | |
| 341 | 0130L00019 | CRANK CASE HEATER, 70W, 575V (M7, M8, M9) | |
| 341 | 0130L00017 | CRANK CASE HEATER-70W 240V (M1, M2, M3) | |
| 341 | 0130L00018 | CRANK CASE HEATER-70W, 480V (M4, M5, M6) | |
| 351 | 0159L00072 | COMPRESSOR SCROLL HARNESS (M4, M5, M6, M7, M8, M9) | |
| 351 | 0159L00073 | COMPRESSOR SCROLL HARNESS (M4, M5, M6, M7, M8, M9) | |
| 351 | 0159L00048 | HARNESS-COMPRESSOR (M1, M2, M3) | |
| 351 | 0159L00049 | HARNESS-COMPRESSOR (M1, M2, M3) | |
| 361 | 0164M00018 | COMPRESSOR GROMMET (QTY 8) | |
| 371 | B1393740 | COMPRESSOR BOLT & SLEEVE (QTY 8) | |
| 401 | 0121L00616 | RAIL BRACE ANGLE, RIGHT (QTY 4) | |
| 411 | 0121L00617 | RAIL BRACE ANGLE, LEFT (QTY 4) | |
| 421 | 0121L00723 | BASE RAIL CORNER BRACE (QTY 4) | |
| NS | 0163M00175 | CAP WITH O-RING (QTY 4) | |
| NS | 0259L00183 | CRANK CASE HEATER WIRE HARNESS | |
| NS | 0141L00029 | FORK BOARD (QTY 2) | |
| NS | 0121L00724 | FORK BOARD BRACKET (QTY 4) | |
| NS | 0121L00605 | FORK BOARD PLATE | |

Expanded Model Nomenclature

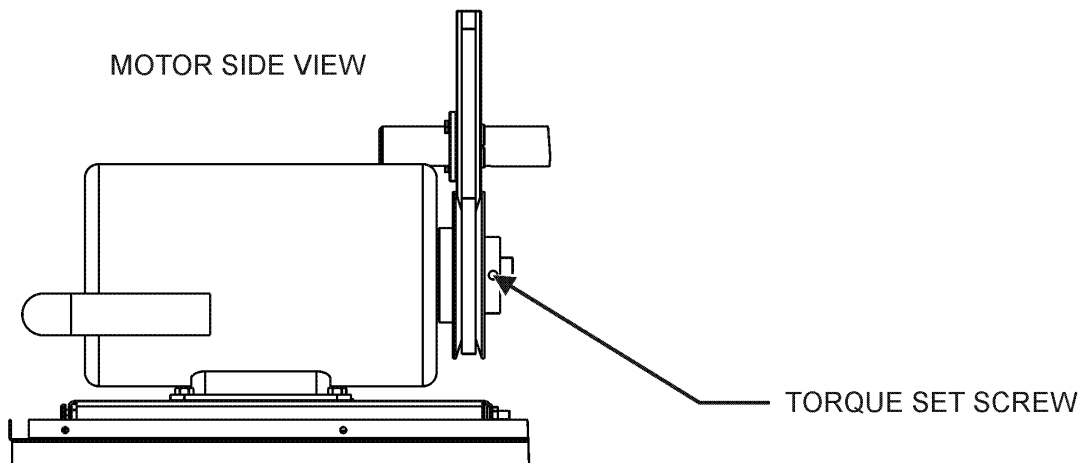
| |
|------------------------|
| M1 - DBG2403SAA |
| M2 - DBG2403VAA |
| M3 - DBG2403VH00001SAA |
| M4 - DBG2404SAA |
| M5 - DBG2404VAA |
| M6 - DBG2404VH00001SAA |
| M7 - DBG2407SAA |
| M8 - DBG2407VAA |
| M9 - DBG2407VH00001SAA |

Blower Assembly



LIMIT DETAIL

MOTOR SIDE VIEW



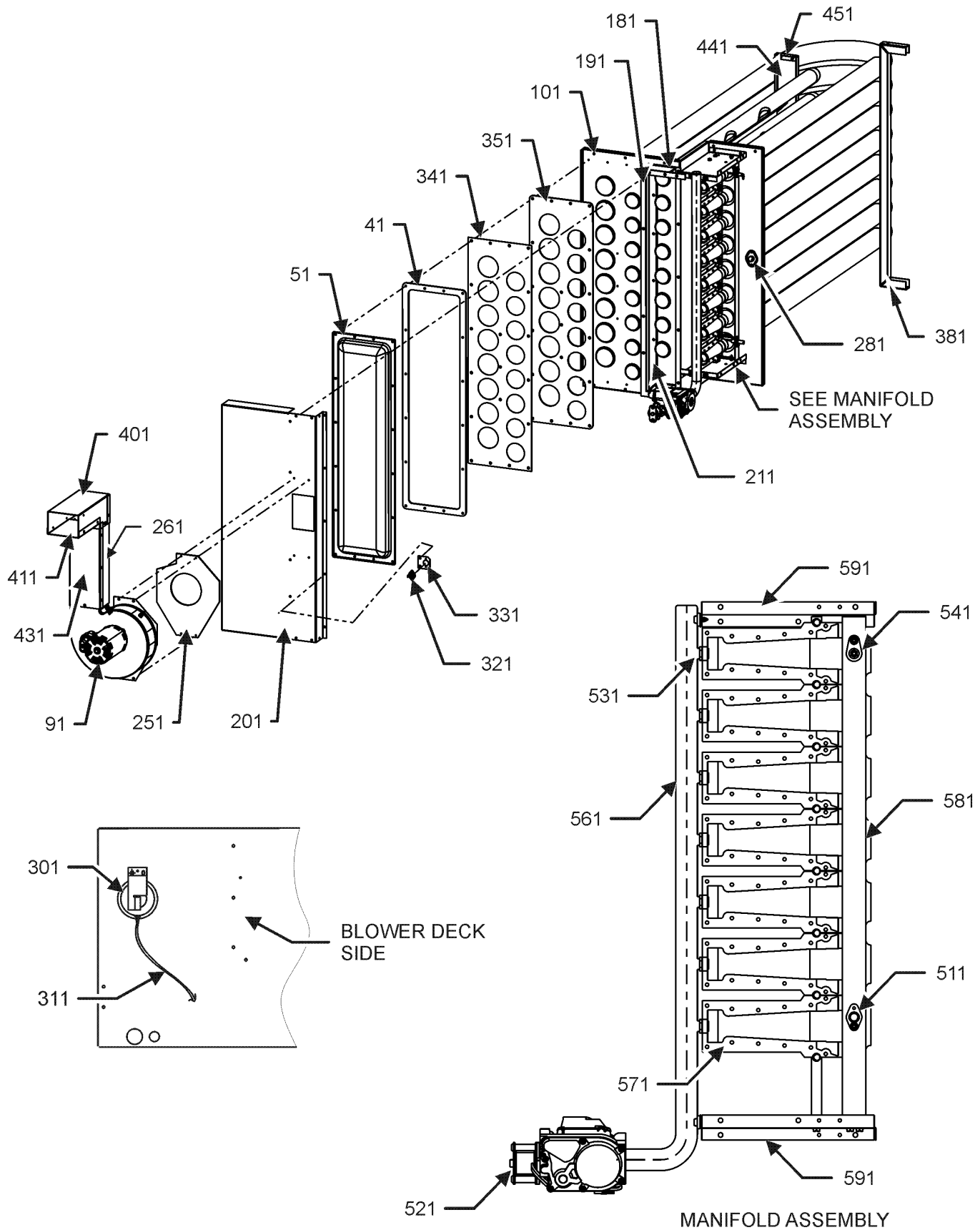
Blower Assembly

| Ref. Part No: | Part No: | Description: | Ref. Part No: | Part No: | Description: |
|-----------------|------------|---|---------------|----------|--------------|
| Image 1: | | | | | |
| 11 | 0131L00025 | MOTOR, 5 HP BELT DRIVE 230V (M2, M3) | | | |
| 11 | 0131L00031 | MOTOR, 5 HP BELT DRIVE 460 V (M5, M6) | | | |
| 11 | 0131L00028 | MOTOR, 5 HP BELT DRIVE 575 V (M8, M9) | | | |
| 11 | 0131L00117 | MOTOR, 7.5 H.P. (M1) | | | |
| 11 | 0131L00118 | MOTOR, 7.5 H.P. (M4) | | | |
| 11 | 0131L00119 | MOTOR, 7.5 H.P. (M7) | | | |
| 31 | 0163L00052 | SHEAVE-VARIABLE PITCH | | | |
| 41 | 0163L00139 | SHEAVE, FIXED BK100H (M2, M3, M5, M6, M8, M9) | | | |
| 41 | 0163L00151 | SHEAVE, FIXED BK85H (M1, M4, M7) | | | |
| 51 | 0164L00006 | FAN BELT, NOTCHED (M1, M4, M7) | | | |
| 51 | 0164L00013 | FAN BELT-NOTCHED (M2, M3, M5, M6, M8, M9) | | | |
| 61 | 0121L01430 | MOTOR BASE | | | |
| 71 | 0121L00482 | BLOWER SIDE ANGLE (QTY 4) | | | |
| 81 | 0121L00479 | BLOWER RAIL (QTY 2) | | | |
| 111 | 0271L00027 | 150-15R BD 1.44 TWIN BLOWER | | | |
| 171 | 0130M00064 | LIMIT | | | |
| 181 | 0121L00594 | SECONDARY LIMIT BRACKET | | | |
| 251 | 0163M00351 | BOLT, 3/8-16-6 | | | |
| 291 | 0121L01429 | BRACKET, DRIVE SCREW | | | |
| NS | 0163M00352 | 3/8-16 JAM NUT | | | |
| NS | 0163M00084 | HEX LOCKNUT, NYLON INSERT | | | |
| NS | 0163M00085 | WASHER (QTY 4) | | | |

Expanded Model Nomenclature

| |
|------------------------|
| M1 - DBG2403SAA |
| M2 - DBG2403VAA |
| M3 - DBG2403VH00001SAA |
| M4 - DBG2404SAA |
| M5 - DBG2404VAA |
| M6 - DBG2404VH00001SAA |
| M7 - DBG2407SAA |
| M8 - DBG2407VAA |
| M9 - DBG2407VH00001SAA |

Heat Exchange Assembly



Heat Exchange Assembly

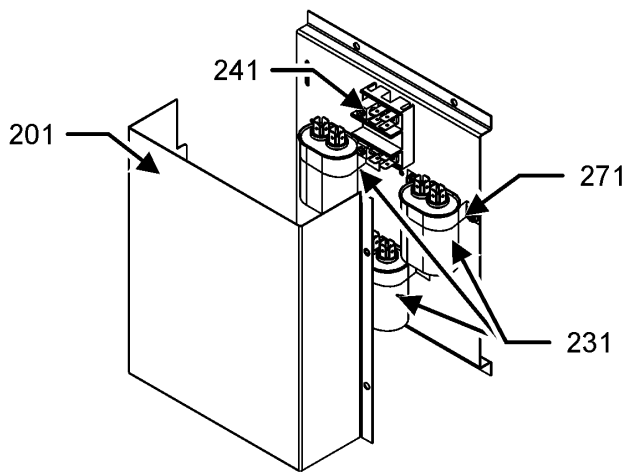
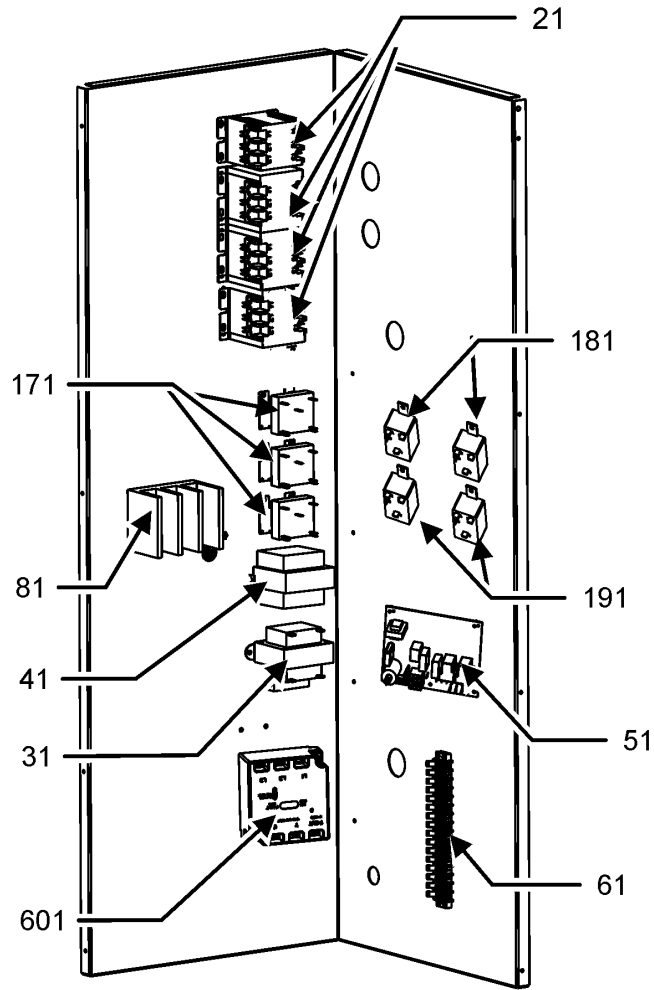
| Ref. Part No: | Ref. Part No: | Description: | Description: |
|-----------------|---------------|--------------------------------|--------------|
| Image 1: | | | |
| 41 | 0154L00025 | GASKET-COVER REAR 8 | |
| 51 | 0121L00545 | COVER-REAR 8 TUBE | |
| 91 | 0131L00014 | MOTOR-ID VENT | |
| 101 | 0270L00186 | PARTITION TUBE ASSY 8B | |
| 181 | 0154L00026 | INNER COLLECTOR BOX GASKET | |
| 191 | 0154L00027 | OUTER COLLECTOR BOX GASKET | |
| 201 | 0121L00550 | COVER-COLLECTOR BOX 8 | |
| 211 | 0121L00546 | CHANNEL-COLLECTOR BOX 8 | |
| 251 | 0154L00029 | ID BLOWER GASKET | |
| 261 | 0121L00668 | FLUE WRAPPER, BACK | |
| 281 | 20162903 | PRIMARY LIMIT - BLUE | |
| 301 | 11112501 | PRESSURE SWITCH | |
| 311 | A3468601 | PRESSURE SWITCH HOSE | |
| 321 | 10123529 | MANUAL RESET LIMIT | |
| 331 | 0121L00053 | FLAME ROLLOUT BRACKET | |
| 341 | 0121L00548 | PLATE-TUBE PANEL 8 | |
| 351 | 0154L00028 | GASKET-TUBE PANEL 8 | |
| 381 | 0121L00930 | SUPPORT-HEAT TUBES 2.25 | |
| 401 | 0121L02100 | FLUE WRAPPER EXT | |
| 411 | 0121L00671 | FLUE COVER EXT | |
| 431 | 0121L00669 | FLUE COVER, FRONT | |
| 441 | 0121L00808 | SUPPORT-HEAT TUBES 2.25 | |
| 451 | 0121L00823 | BRACKET-TUBE SUPPORT (QTY 2) | |
| 511 | 20261709 | IGNITOR | |
| 521 | 0151M00015 | VALVE, GAS (HW) VR83 | |
| 531 | 0163L00014 | ORIFICE (QTY 8) | |
| 541 | 0130F00010 | FLAME SENSOR | |
| 561 | 0163L00033 | MANIFOLD-GAS, 8 BURNER | |
| 571 | 0163L00000 | BECKETT BURNER (QTY 8) | |
| 581 | 0121L00635 | BRACKET-8 BURNERS | |
| 591 | 0121G00268 | BRACKET-BURNER TOP/BOT (QTY 2) | |
| NS | 0163L00040 | FLUE SCREEN | |

Expanded Model Nomenclature

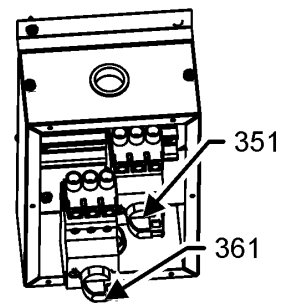
- M1 - DBG2403SAA
- M2 - DBG2403VAA
- M3 - DBG2403VH00001SAA
- M4 - DBG2404SAA
- M5 - DBG2404VAA
- M6 - DBG2404VH00001SAA
- M7 - DBG2407SAA
- M8 - DBG2407VAA
- M9 - DBG2407VH00001SAA

Control Panel Assembly

CONTROL PANEL ASSEMBLY



CAPACITOR ASSEMBLY



CIRCUIT BREAKER ASSEMBLY

NOTE: CONTROL PANEL ASSEMBLY MAY DIFFER FROM WHAT IS SHOWN

Control Panel Assembly

Ref. Part

No: No:

Description:

Ref. Part

No: No:

Description:

Image 1:

| | | |
|-----|----------------|--|
| 21 | CONT3P030024V | CONT, 3 POLE, 30 AMP, 24 VAC (M4, M5, M6, M7, M8, M9) |
| 21 | CONT3P040024V | CONT, 3 POLE, 40 AMP, 24 VAC (M1, M2, M3) |
| 21 | CONT3P050024V | CONT, 3 POLE, 50 AMP, 24 VAC (M1, M2, M3) |
| 31 | 0130M00596 | TRANS, 150VA, 480V TO 230V (M4, M5, M6) |
| 31 | 0130M00597 | TRANS, 150VA, 575V TO 230V (M7, M8, M9) |
| 31 | 0130L00205 | TRANSFORMER (M1, M2, M3) |
| 41 | 0130L00206 | TRANSFORMER (M4, M5, M6) |
| 41 | 0130L00207 | TRANSFORMER (M7, M8, M9) |
| 51 | PCBAG123 | IGNITION BOARD, DSI INTEGRATED |
| 61 | 0130M00038 | TERMINAL BOARD |
| 81 | 0130M00042 | POWER BLOCK |
| 171 | 0130M00242 | RELAY, 24V (QTY 2) |
| 181 | 0130M00025 | 24V RELAY (QTY 3) |
| 191 | 10135604 | RELAY (QTY 2) |
| 201 | 0121L00586 | CAPACITOR COVER |
| 231 | CAP050000440LA | CAPACITOR (M7, M8, M9) |
| 231 | CAP100000370LA | CAPACITOR 10/370V (M1, M2, M3, M4, M5, M6) |
| 241 | B1368250 | TERMINAL BLOCK (HIGH VOLTAGE) |
| 271 | 20520901 | CAPACITOR STRAP (QTY 3) |
| 351 | 0130L00083 | ROTARY MANUAL MOTOR PROTECTOR (M8, M9) |
| 351 | 0130L00084 | ROTARY MANUAL MOTOR PROTECTOR (M2, M3, M4, M5, M6, M7) |
| 351 | 0130L00085 | ROTARY MANUAL MOTOR PROTECTOR (M1) |
| 361 | 0130L00082 | ROTARY MANUAL MOTOR PROTECTOR (M5, M6, M8, M9) |
| 361 | 0130L00083 | ROTARY MANUAL MOTOR PROTECTOR (M4, M7) |
| 361 | 0130L00085 | ROTARY MANUAL MOTOR PROTECTOR (M2, M3) |
| 361 | 0130L00086 | ROTARY MANUAL MOTOR PROTECTOR (M1) |
| NS | 0259L00185 | BLOWER RELAY HARNESS |
| NS | 0259L00186 | BLOWER RELAY HARNESS |
| NS | 0259L00190 | CIRCUIT BREAKER HARNESS |
| NS | 0259L00118 | CONDENSER FAN HARNESS, LONG |
| NS | 0259L00117 | CONDENSER FAN HARNESS, MEDIUM |
| NS | 0259L00116 | CONDENSER FAN HARNESS, SHORT |
| NS | 0259L00183 | CRANK CASE HEATER WIRE HARNESS |
| NS | 0159L00052 | HARNESS JUMPER LONG |
| NS | 0259L00134 | HARNESS, 12 PIN GAS |
| NS | 0159L00051 | HARNESS, JUMPER SHORT |
| NS | 0259L00181 | HARNESS-BELT DRIVE 2 SP MOTOR |
| NS | 0259L00187 | ISO RELAY HARNESS |
| NS | 0259L00188 | TERMINAL BOARD HARNESS |
| NS | 0259L00171 | TRANSFORMER HARNESS |
| NS | 0259L00189 | TRANSFORMER HARNESS |
| NS | 0259L00169 | WIRE HARNESS ASSY |
| NS | 0259L00175 | WIRE HARNESS ASSY |
| NS | 0259L00193 | WIRE HARNESS, ECONOMIZER |

Expanded Model Nomenclature

| |
|------------------------|
| M1 - DBG2403SAA |
| M2 - DBG2403VAA |
| M3 - DBG2403VH00001SAA |
| M4 - DBG2404SAA |
| M5 - DBG2404VAA |
| M6 - DBG2404VH00001SAA |
| M7 - DBG2407SAA |
| M8 - DBG2407VAA |
| M9 - DBG2407VH00001SAA |