
Commercial 15 Ton 2-Speed High Static Package Gas Unit

DBG1803SAA
DBG1803VAA
DBG1803VH00001SAA
DBG1804SAA
DBG1804VAA
DBG1804VH00001SAA
DBG1807SAA
DBG1807VAA
DBG1807VH00001SAA



This manual is to be used by qualified technicians only.

Important Information

Index

Functional Parts List	3
Illustration and Parts	4 - 17

Views shown are for parts illustrations only, not servicing procedures

Text Codes:

AR - As Required

NA - Not Available

NS - Not Shown

00000000 - See Note

QTY - Quantity Example (QTY 3) (If Quantity not shown, Quantity = 1)

M - Model Example (M1) (If M Code not shown, then part is used on all Models)

Expanded Model Nomenclature:

Example M1 - Model#1 M2 - Model#2 M3 - Model#3

Daikin Company, L.P. is not responsible for personal injury or property damage resulting from improper service. Review all service information before beginning repairs.

Warranty service must be performed by an authorized technician, using authorized factory parts. If service is required after the warranty expires, Daikin Company, L.P. also recommends contacting an authorized technician and using authorized factory parts.

Daikin Company, L.P. reserves the right to discontinue, or change at any time, specifications or designs without notice or without incurring obligations.

For assistance within the U.S.A. contact:

Equipment Support
Daikin North America, LLC
19001 Kermier Road
Waller, Texas 77484
855-770-5678-Telephone
713-863-2382-Facsimile

For assistance outside the U.S.A. contact:

International Division
Daikin North America, LLC
19001 Kermier Road
Waller, Texas 77484
713-861-2500-Telephone
713-863-2382-Facsimile

Functional Parts

Part No: **Description:**

0271L00026	150-12R BD 1.18 TWIN BLOWER
0163L00000	BECKETT BURNER (QTY 7)
CAP100000370LA	CAP, 10 MFD/370V/OVAL (M1, M2, M3, M4, M5, M6)
CAP050000440LA	CAPACITOR (M7, M8, M9)
ZP83KCETF5250	COMP, 83000, 200/230/60/3 (M1, M2, M3)
ZP83KCETFD130	COMP, 83000, 460/60/3 (M4, M5, M6)
ZP83KCETFE130	COMP, 83000, 575/60/3 (M7, M8, M9)
CONT3P030024V	CONTACTOR 30 AMP, 3P, 24V (M4, M5, M6, M7, M8, M9)
CONT3P040024V	CONTACTOR 40 AMP, 3P, 24V (M1, M2, M3)
CONT3P050024V	CONTACTOR 50 AMP, 3P, 24V (M1, M2, M3)
0130L00019	CRANK CASE HEATER, 70W, 575V (M7, M8, M9)
0130L00017	CRANK CASE HEATER-70W 240V (M1, M2, M3)
0130L00018	CRANK CASE HEATER-70W, 480V (M4, M5, M6)
0164L00006	FAN BELT, NOTCHED (M1, M4, M7)
0164L00013	FAN BELT-NOTCHED (M2, M3, M5, M6, M8, M9)
10625733	FAN BLADE 22" ALUM CCW (QTY 3)
0130F00010	FLAME SENSOR
0130M00074	HIGH PRESSURE SWITCH
PCBAG123	IGNITION BOARD, DSI INTEGRATED
20261709	IGNITOR
0130M00064	LIMIT
0130M00087	LOW PRESSURE SWITCH
10123529	MANUAL RESET LIMIT
0131L00025	MOTOR, 5 HP BELT DRIVE 230V (M2, M3)
0131L00031	MOTOR, 5 HP BELT DRIVE 460 V (M5, M6)
0131L00028	MOTOR, 5 HP BELT DRIVE 575 V (M8, M9)
0131L00118	MOTOR, 7.5 H.P. (M4)
0131L00117	MOTOR, 7.5 H.P. (M1)
0131L00119	MOTOR, 7.5 H.P. (M7)
0131M00907	MOTOR, HP, 1/3, OD (M4, M5, M6)
0131M00908	MOTOR, HP, 1/3, OD, LAK (M7, M8, M9)
0131M00906	MOTOR, HP, 1/3, SP, 1, PL, 6 (M1, M2, M3)
11112501	PRESSURE SWITCH
20162904	PRIMARY LIMIT-TEMPERATURE CONTROL
10135604	RELAY (QTY 2)
0130M00038	TERMINAL BOARD
0130M00596	TRANS, 150VA, 480V TO 230V (M4, M5, M6)
0130M00597	TRANS, 150VA, 575V TO 230V (M7, M8, M9)
0130L00206	TRANSFORMER (M4, M5, M6)
0130L00207	TRANSFORMER (M7, M8, M9)
0130L00205	TRANSFORMER (M1, M2, M3)
0151M00015	VALVE, GAS (HW) VR83
0151L00011	VALVE, TXV R-410A (QTY 8)

Expanded Model Nomenclature

M1 - DBG1803SAA
M2 - DBG1803VAA
M3 - DBG1803VH00001SAA
M4 - DBG1804SAA
M5 - DBG1804VAA
M6 - DBG1804VH00001SAA
M7 - DBG1807SAA
M8 - DBG1807VAA
M9 - DBG1807VH00001SAA

Cabinet Assembly

Ref. Part No:	Ref. Part No:	Description:	Description:
---------------	---------------	--------------	--------------

Image 1:

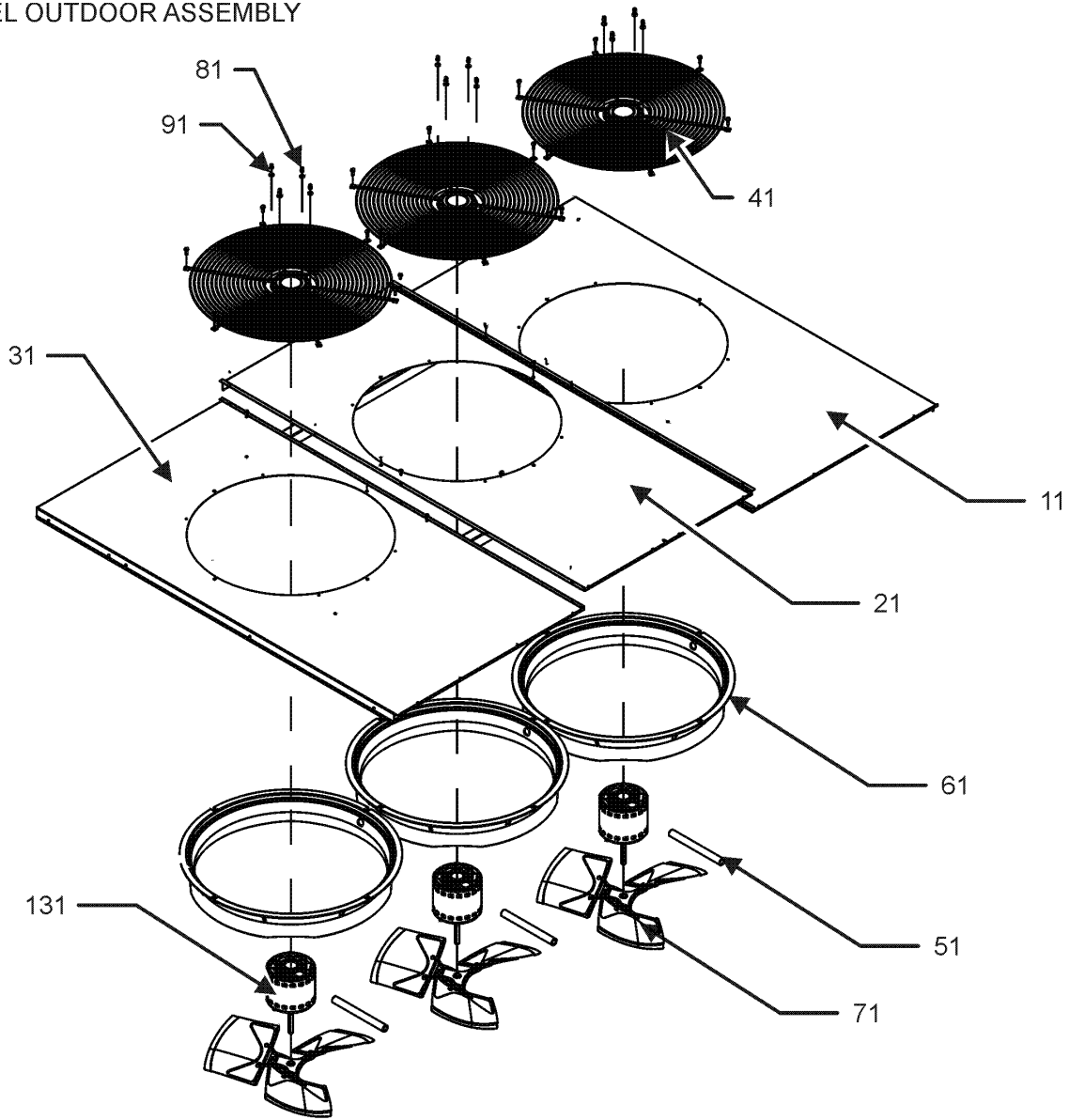
11	0121L01143SB	CORNER POST (QTY 2)
21	0121L00681SB	EVAP PANEL
51	0121L00679SB	CONTROL CORNER PANEL
61	0121L02048SB	PNT, POST-CONTROL /FILTER
71	0121L00710SB	BLOWER DOOR POST
81	0121L00903SB	POST-PARTITION, EVAP SIDE
91	0121L00904SB	POST-PARTITION, GAS FLUE
121	0121L00685SB	BLOWER DOOR, EVAP SIDE
131	0121L00688SB	ACCESSORY PANEL
141	0121L00687SB	PNT, DOOR-CONTROL
151	0121L00686SB	FILTER DOOR
161	0121L00907SB	PANEL-CONDENSER SIDE (QTY 2)
171	0121L01144SB	POST, COND PANEL (QTY 3)
181	0121L01174SB	PANEL-LOUVER, END (QTY 2)
191	0121L00713SB	BLOWER DOOR GAS
201	0121L00712SB	BURNER DOOR
211	0152L00000	GRILLE-CONDENSER (QTY 2)
221	0121L00476SB	PNT, TURNBUCKLE, DOOR (QTY 16)
NS	0121L00562SB	PNT, HOOD-COMBUSTION AIR
NS	M0204317	SCREW-MACH (QTY 16)

Expanded Model Nomenclature

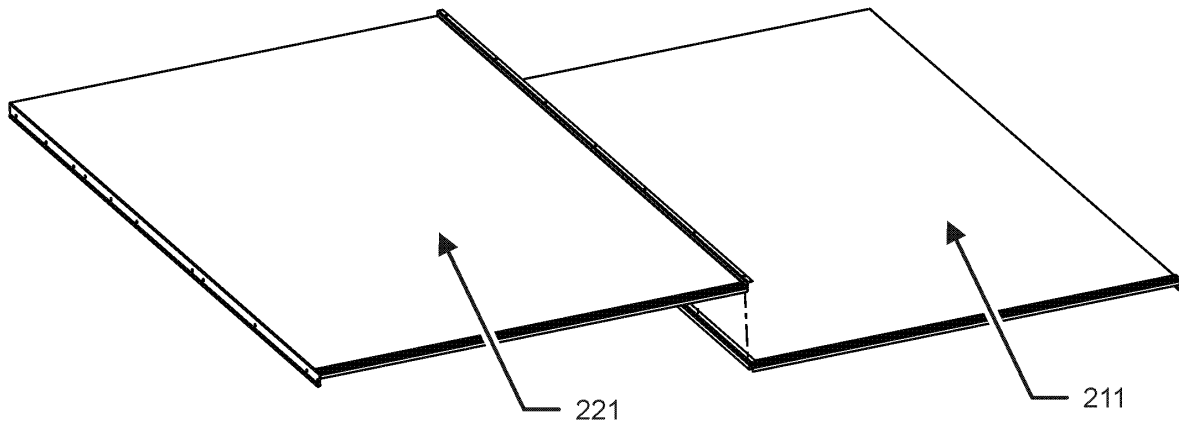
- | |
|------------------------|
| M1 - DBG1803SAA |
| M2 - DBG1803VAA |
| M3 - DBG1803VH00001SAA |
| M4 - DBG1804SAA |
| M5 - DBG1804VAA |
| M6 - DBG1804VH00001SAA |
| M7 - DBG1807SAA |
| M8 - DBG1807VAA |
| M9 - DBG1807VH00001SAA |

Top Panel Assembly

TOP PANEL OUTDOOR ASSEMBLY



TOP PANEL INDOOR ASSEMBLY



Top Panel Assembly

Ref. Part No:	No:	Description:	Ref. Part No:	No:	Description:
---------------	-----	--------------	---------------	-----	--------------

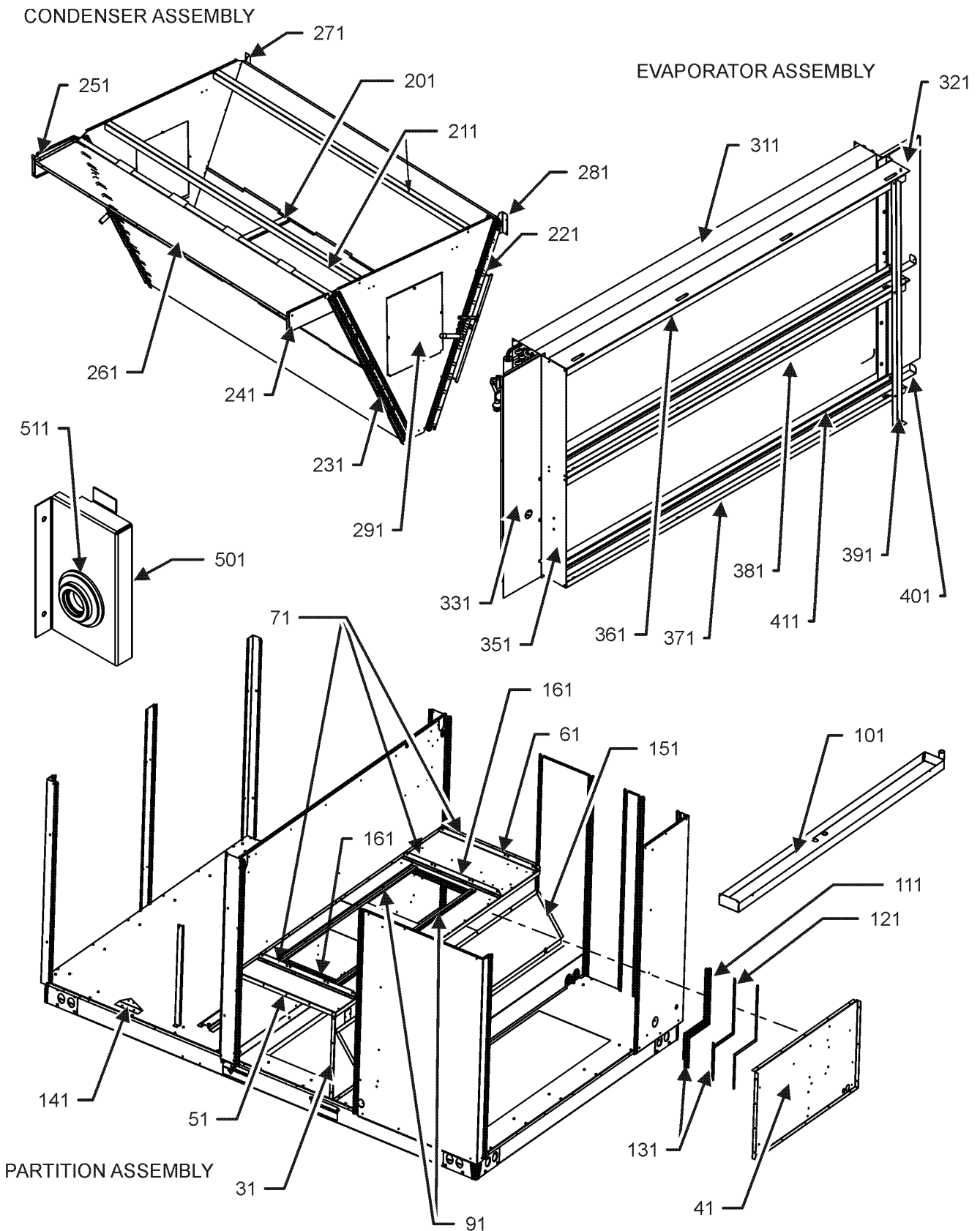
Image 1:

11	0121L01038SB	PNT, TOP-FAN, CONTROL SIDE
21	0121L01039SB	PNT, TOP-FAN, CENTER
31	0121L01040SB	PNT, TOP-FAN, EVAP SIDE
41	0152G00003	FAN GRILLE (QTY 3)
51	0161R00003P	CONDUIT (QTY 3)
61	0161L00000	VENTURI RING 22" (QTY 3)
71	10625733	FAN BLADE 22" ALUM CCW (QTY 3)
81	0163M00006P	ACORN NUT 5/16 HEX BLACK (QTY 12)
91	0163M00005P	WASHER BLACK (.50 OD .218ID) (QTY 12)
101	0163M00004	SCREW #10X3/4", BLACK (QTY 2)
131	0131M00907	MOTOR, HP, 1/3, OD (M4, M5, M6)
131	0131M00908	MOTOR, HP, 1/3, OD, LAK (M7, M8, M9)
131	0131M00906	MOTOR, HP, 1/3, SP, 1, PL, 6 (M1, M2, M3)
211	0121L00693SB	TOP, CONTROL SIDE
221	0121L00694SB	TOP, EVAP SIDE

Expanded Model Nomenclature

M1 - DBG1803SAA
M2 - DBG1803VAA
M3 - DBG1803VH00001SAA
M4 - DBG1804SAA
M5 - DBG1804VAA
M6 - DBG1804VH00001SAA
M7 - DBG1807SAA
M8 - DBG1807VAA
M9 - DBG1807VH00001SAA

Evaporator, Condenser and Partition Assy



Evaporator, Condenser and Partition Assy

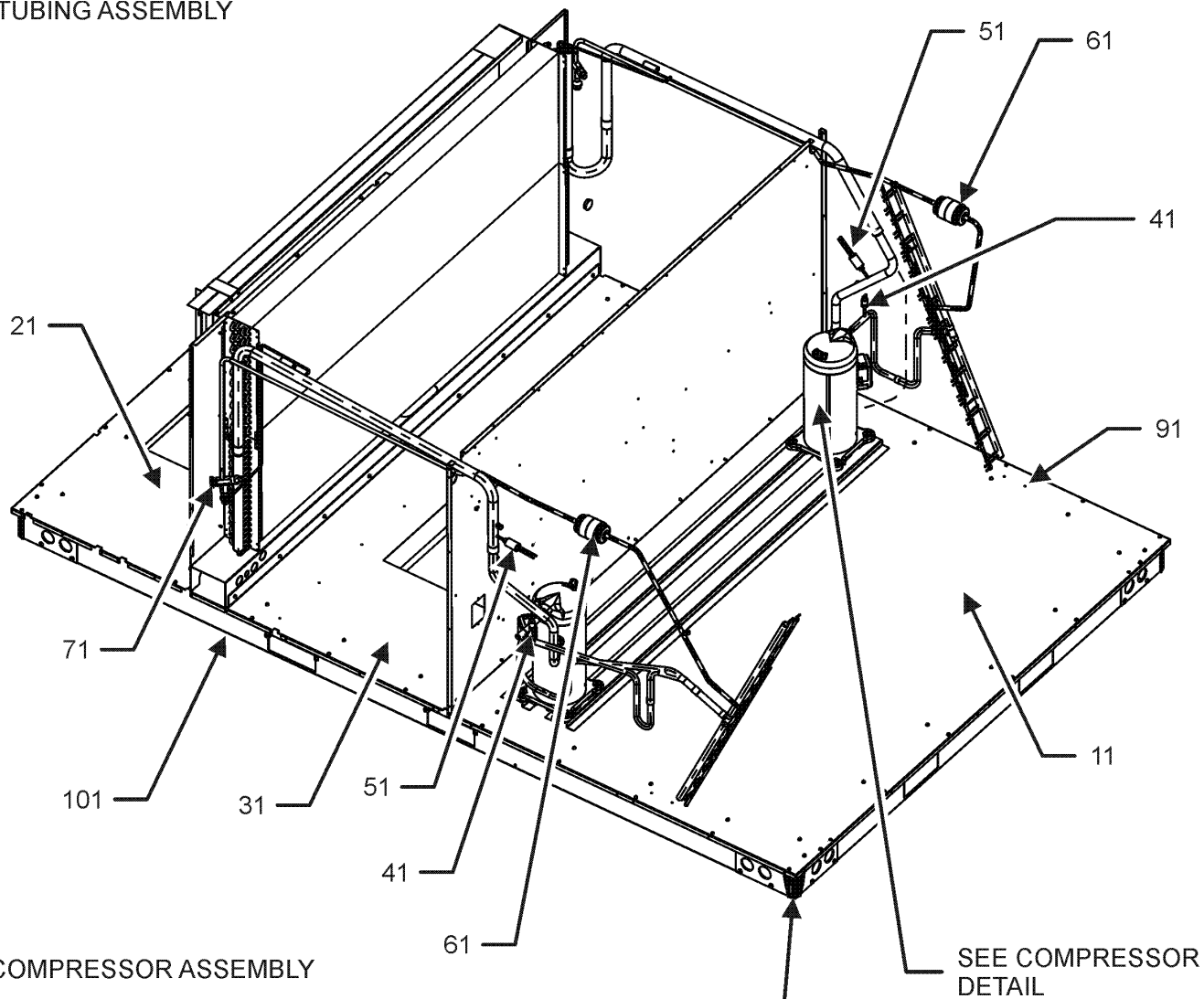
Ref. Part No:	Ref. Part No:	Description:	Description:
Image 1:			
31	0121L01163	DECK, SIDE DUCT END	
41	0121L01162	DECK, SIDE HEAT END	
51	0121L00652	BLOWER DECK, EVAP SIDE	
61	0121L01060	DECK-BLOWER, MOTOR END	
71	0121L01431	MOTOR MOUNT ANGLE (QTY 3)	
91	0121L00478	BLOWER DECK RAIL (QTY 2)	
101	0270L00612DG	DRAIN PAN	
111	0121L00551	HEAT EXCHANGER ANGLE, RH SIDE	
121	0121L00552	HEAT EXCHANGER ANGLE, LH SIDE	
131	0121L00553	LOWER HEAT EXCHANGER ANGLE (QTY 2)	
141	0121L00913	BRACKET-COND/BASEPAN (QTY 2)	
151	0121L01158	SHIELD, BLOWOFF	
161	0121L00481	BLOWER RAIL (QTY 2)	
201	0121L00901	BRACE-COND COILS (QTY 2)	
211	0121L01037	ANGLE, TOP BRACE (QTY 2)	
221	0201L00123	CONDENSER COIL ASSY, C1	
231	0201L00124	CONDENSER COIL ASSY C2	
241	0121L01154	BRACKET, CONDENSER END C1	
251	0121L01156	BRACKET, CONDENSER END C2	
261	0121L00572	CONDENSER BLOCKOFF, INSIDE TOP	
271	0121L01155	BRACKET, COND/POST C1	
281	0121L01153	BRACKET, COND/POST C2	
291	0121L00910	COVER-COIL CLEANING (QTY 2)	
311	0202L00047	EVAPORATOR COIL ASSY (QTY 2)	
321	0121L00698	EVAPORATOR BLOCKOFF PANEL	
331	0121L00848	PANEL-EVAPORATOR, SMOKE DET	
351	0121L00933	ANGLE-FILTER, LEFT VERTICAL	
361	0121L01180	TOP ANGLE FILTER	
371	0121L01179	BOTTOM FILTER RACK	
381	0270L00658	CENTER FILTER RACK	
391	0121L00632	FILTER SUPPORT ANGLE	
401	0121L00640	FILTER PULL (QTY 2)	
411	0121L00703	BOTTOM BLOCKOFF, FILTER RACK	
501	0121L00697	GAS VALVE PIPE BRACKET	
511	B1910013	GAS LINE GROMMET	
NS	0160L00137	FILTER, 20 X 25 X 2, STANDARD (QTY 6)	
NS	0121L00321	SMOKE DETECTOR COVER	

Expanded Model Nomenclature

M1 - DBG1803SAA
M2 - DBG1803VAA
M3 - DBG1803VH00001SAA
M4 - DBG1804SAA
M5 - DBG1804VAA
M6 - DBG1804VH00001SAA
M7 - DBG1807SAA
M8 - DBG1807VAA
M9 - DBG1807VH00001SAA

Tubing and Compressor Assembly

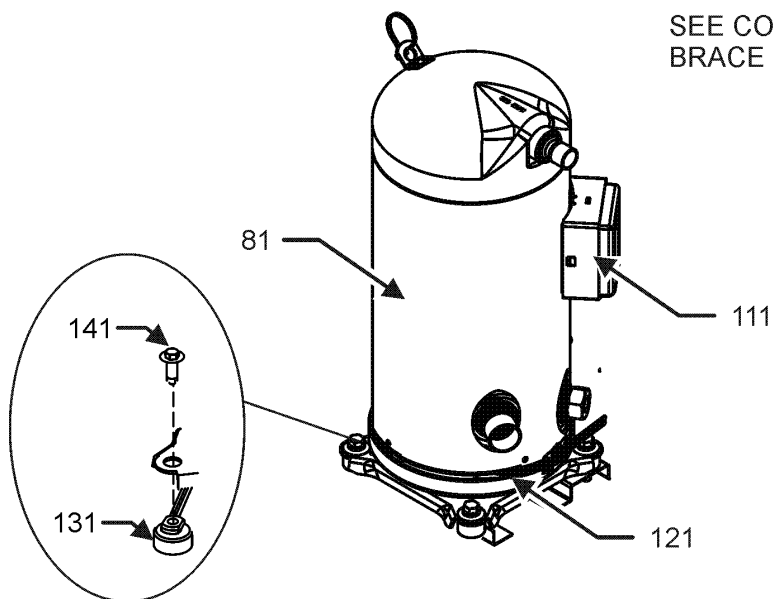
TUBING ASSEMBLY



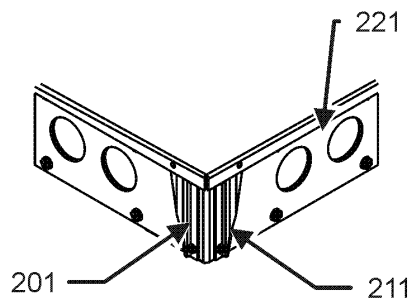
COMPRESSOR ASSEMBLY

SEE CORNER BRACE DETAIL

SEE COMPRESSOR DETAIL



COMPRESSOR DETAIL



CORNER BRACE DETAIL

Tubing and Compressor Assembly

Ref. Part No:	Part No:	Description:	Ref. Part No:	Part No:	Description:
---------------	----------	--------------	---------------	----------	--------------

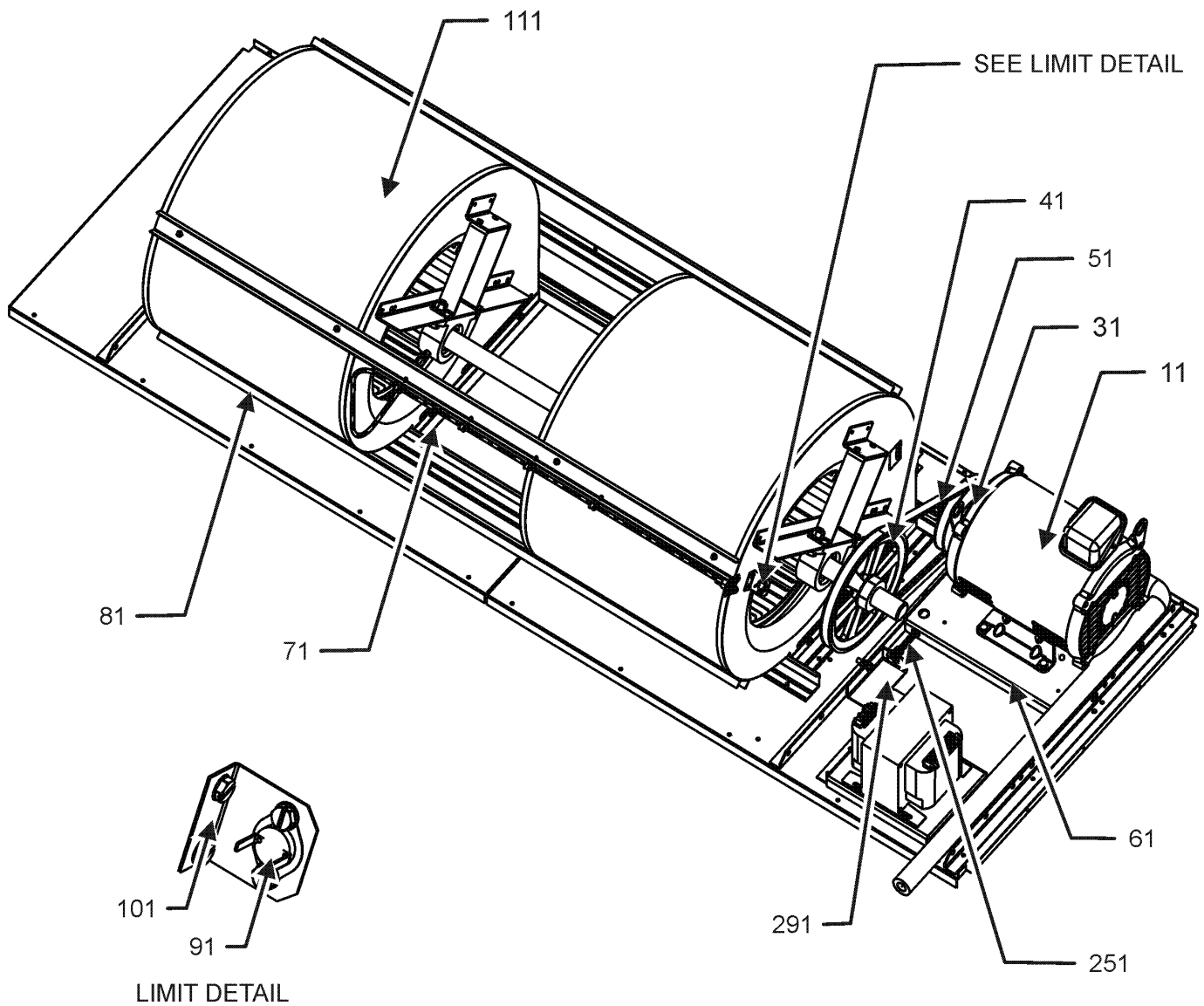
Image 1:

11	0121L00902	BASEPAN-OUTDOOR
21	0121L00947	BASEPAN-RETURN
31	0121L00948	BASEPAN-SUPPLY
41	0130M00074	HIGH PRESSURE SWITCH
51	0130M00087	LOW PRESSURE SWITCH
61	0151M00012	BI-FLOW FILTER DRIER
71	0151L00011	VALVE, TXV R-410A (QTY 8)
81	ZP83KCET5250	COMP, 83000, 200/230/60/3 (M1, M2, M3)
81	ZP83KCETFD130	COMP, 83000, 460/60/3 (M4, M5, M6)
81	ZP83KCETFE130	COMP, 83000, 575/60/3 (M7, M8, M9)
91	0121L00720	SIDE RAIL
101	0121L00719	CONTROL SIDE BASE RAIL
111	0159L00020	COMPRESSOR SCROLL HARNESS (M1, M2, M3)
111	0159L00021	COMPRESSOR SCROLL HARNESS (M1, M2, M3)
111	0159L00071	Harness, compressor (M4, M5, M6, M7, M8, M9)
111	0159L00070	Harness, compressor 460V (M4, M5, M6, M7, M8, M9)
121	0130L00019	CRANK CASE HEATER, 70W, 575V (M7, M8, M9)
121	0130L00017	CRANK CASE HEATER-70W 240V (M1, M2, M3)
121	0130L00018	CRANK CASE HEATER-70W, 480V (M4, M5, M6)
131	0164M00018	COMPRESSOR GROMMET (QTY 8)
141	B1393740	COMPRESSOR BOLT & SLEEVE (QTY 8)
201	0121L00616	RAIL BRACE ANGLE, RIGHT (QTY 4)
211	0121L00617	RAIL BRACE ANGLE, LEFT (QTY 4)
221	0121L00723	BASE RAIL CORNER BRACE (QTY 4)
NS	0121L00722	BASE RAIL, ACCESSORY END
NS	0121L00721	BASE RAIL, CONDENSER END (QTY 2)
NS	0163M00175	CAP WITH O-RING (QTY 4)
NS	0121L00625	COMPRESSOR RAIL BRACKET (QTY 4)
NS	0141L00029	FORK BOARD (QTY 2)
NS	0121L00724	FORK BOARD BRACKET (QTY 4)
NS	0121L00605	FORK BOARD PLATE

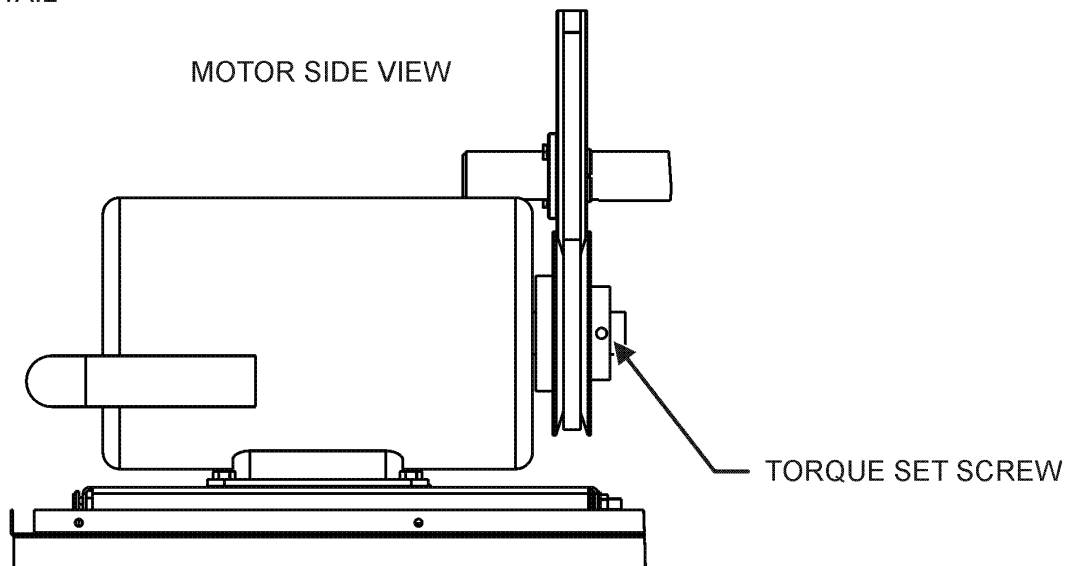
Expanded Model Nomenclature

- M1 - DBG1803SAA
- M2 - DBG1803VAA
- M3 - DBG1803VH00001SAA
- M4 - DBG1804SAA
- M5 - DBG1804VAA
- M6 - DBG1804VH00001SAA
- M7 - DBG1807SAA
- M8 - DBG1807VAA
- M9 - DBG1807VH00001SAA

Blower Assembly



MOTOR SIDE VIEW



Blower Assembly

Ref. Part No:	Part No:	Description:	Ref. Part No:	Part No:	Description:
---------------	----------	--------------	---------------	----------	--------------

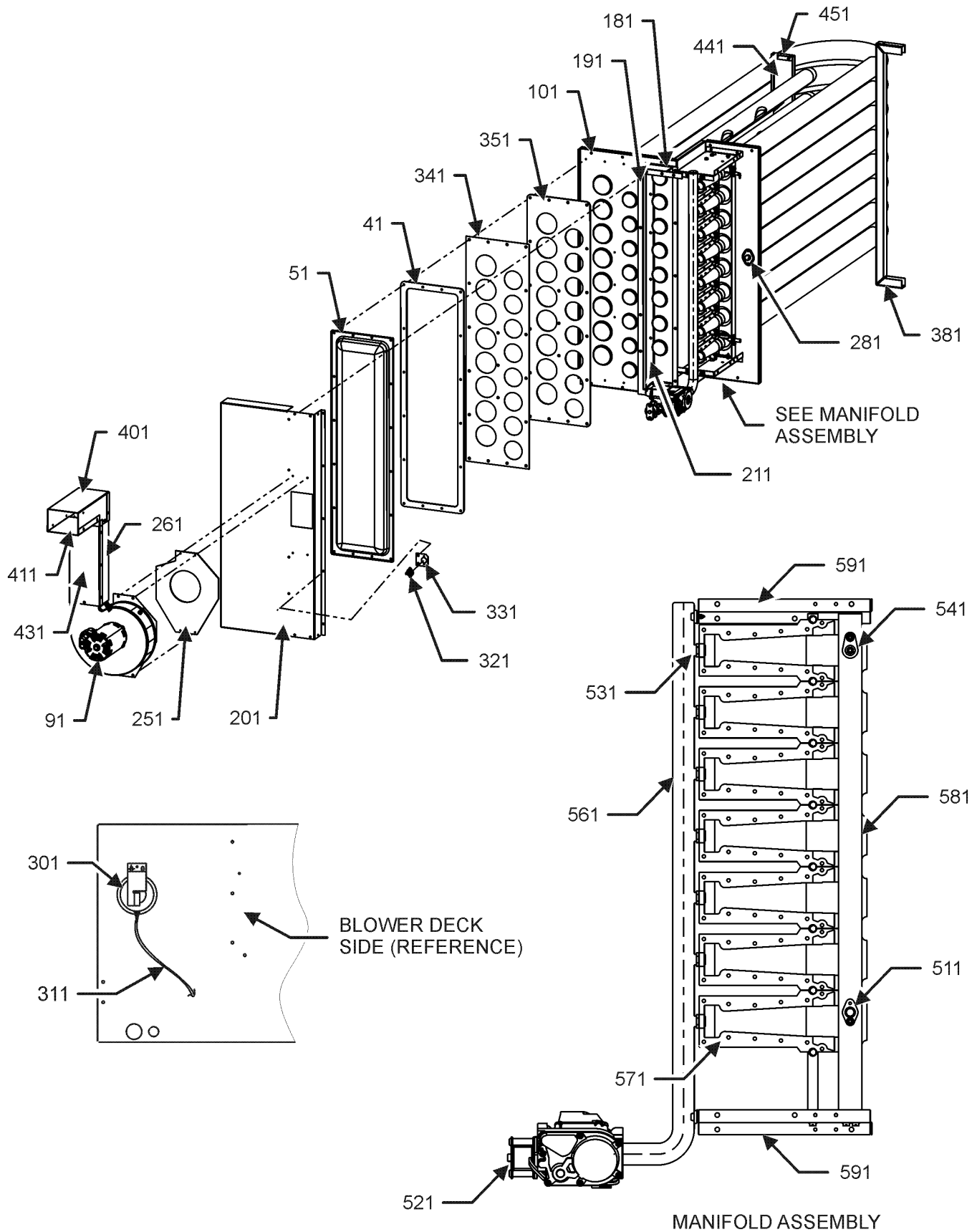
Image 1:

11	0131L00025	MOTOR, 5 HP BELT DRIVE 230V (M2, M3)
11	0131L00031	MOTOR, 5 HP BELT DRIVE 460 V (M5, M6)
11	0131L00028	MOTOR, 5 HP BELT DRIVE 575 V (M8, M9)
11	0131L00117	MOTOR, 7.5 H.P. (M1)
11	0131L00118	MOTOR, 7.5 H.P. (M4)
11	0131L00119	MOTOR, 7.5 H.P. (M7)
31	0163L00052	SHEAVE-VARIABLE PITCH
41	0163L00141	SHEAVE, FIXED BK110H (M2, M3, M5, M6, M8, M9)
41	0163L00140	SHEAVE, FIXED BK90H (M1, M4, M7)
51	0164L00006	FAN BELT, NOTCHED (M1, M4, M7)
51	0164L00013	FAN BELT-NOTCHED (M2, M3, M5, M6, M8, M9)
61	0121L01430	MOTOR BASE
71	0121L00482	BLOWER SIDE ANGLE (QTY 4)
81	0121L00654	BLOWER RAIL (QTY 2)
91	0130M00064	LIMIT
101	0121L00594	SECONDARY LIMIT BRACKET
111	0271L00026	150-12R BD 1.18 TWIN BLOWER
251	0163M00351	BOLT, 3/8-16-6
291	0121L01429	BRACKET, DRIVE SCREW
NS	0163M00352	3/8-16 JAM NUT
NS	0163M00084	HEX LOCKNUT, NYLON INSERT
NS	0163M00085	WASHER (QTY 4)
NS	B1392923	WASHER / FLAT (QTY 3)

Expanded Model Nomenclature

- | |
|------------------------|
| M1 - DBG1803SAA |
| M2 - DBG1803VAA |
| M3 - DBG1803VH00001SAA |
| M4 - DBG1804SAA |
| M5 - DBG1804VAA |
| M6 - DBG1804VH00001SAA |
| M7 - DBG1807SAA |
| M8 - DBG1807VAA |
| M9 - DBG1807VH00001SAA |

Heat Exchanger Assembly



Heat Exchanger Assembly

Ref. Part No:	Part No:	Description:	Ref. Part No:	Part No:	Description:
---------------	----------	--------------	---------------	----------	--------------

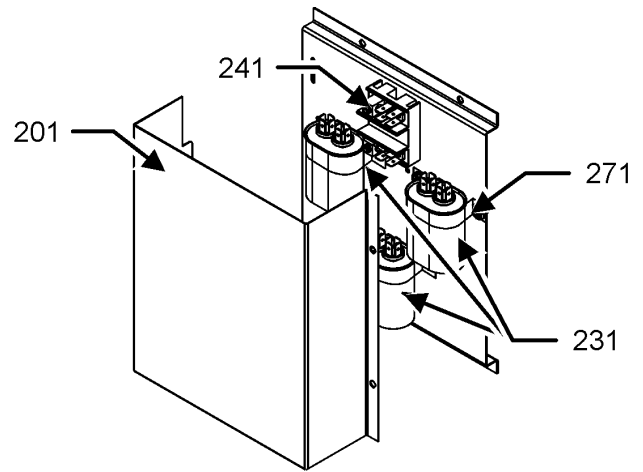
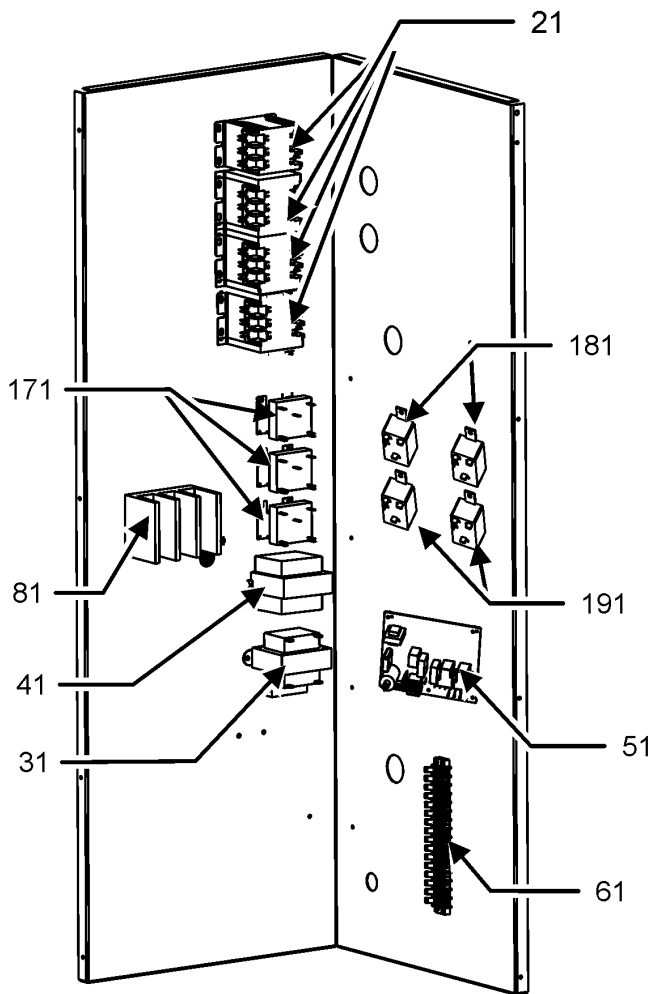
Image 1:

41	0154L00025	GASKET-COVER REAR 8
51	0121L00545	COVER-REAR 8 TUBE
91	0131L00014	MOTOR-ID VENT
101	0270L00236	PARTITION TUBE ASSY 7B
181	0154L00026	INNER COLLECTOR BOX GASKET
191	0154L00027	OUTER COLLECTOR BOX GASKET
201	0121L00707	COVER-COLLECTOR BOX 7
211	0121L00546	CHANNEL-COLLECTOR BOX 8
251	0154L00029	GASKET-COMBUSTION BLOWER
261	0121L00668	FLUE WRAPPER, BACK
281	20162904	PRIMARY LIMIT-TEMPERATURE CONTROL
301	11112501	PRESSURE SWITCH
311	A3468601	PRESSURE SWITCH HOSE
321	10123529	MANUAL RESET LIMIT
331	0121L00053	FLAME ROLLOUT BRACKET
341	0121L00548	PLATE-TUBE PANEL 8
351	0154L00028	GASKET-TUBE PANEL 8
381	0121L00930	SUPPORT-HEAT TUBES 2.25
401	0121L02100	FLUE WRAPPER EXT
411	0121L00671	FLUE COVER EXT
431	0121L00669	FLUE COVER, FRONT
441	0121L00808	SUPPORT-HEAT TUBES 2.25
451	0121L00823	BRACKET-TUBE SUPPORT (QTY 2)
511	20261709	IGNITOR
521	0151M00015	VALVE, GAS (HW) VR83
531	0163L00014	ORIFICE (QTY 7)
541	0130F00010	FLAME SENSOR
561	0163L00051	MANIFOLD-GAS, 7 BURNER
571	0163L00000	BECKETT BURNER (QTY 7)
581	0121L00656	BRACKET-7 BURNERS
591	0121G00268	BRACKET-BURNER TOP/BOT (QTY 2)
NS	0163L00040	FLUE SCREEN

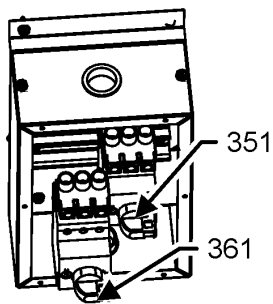
Expanded Model Nomenclature

- M1 - DBG1803SAA
- M2 - DBG1803VAA
- M3 - DBG1803VH00001SAA
- M4 - DBG1804SAA
- M5 - DBG1804VAA
- M6 - DBG1804VH00001SAA
- M7 - DBG1807SAA
- M8 - DBG1807VAA
- M9 - DBG1807VH00001SAA

Control Box Assembly



CAPACITOR ASSEMBLY



CIRCUIT BREAKER ASSEMBLY

Control Box Assembly

Ref. Part

No: No:

Description:

Ref. Part

No: No:

Description:

Image 1:

21	CONT3P030024V	CONTACTOR 30 AMP, 3P, 24V (M4, M5, M6, M7, M8, M9)
21	CONT3P040024V	CONTACTOR 40 AMP, 3P, 24V (M1, M2, M3)
21	CONT3P050024V	CONTACTOR 50 AMP, 3P, 24V (M1, M2, M3)
31	0130M00597	TRANS, 150VA, 575V TO 230V (M7, M8, M9)
31	0130L00205	TRANSFORMER (M1, M2, M3)
31	0130L00206	TRANSFORMER (M4, M5, M6)
41	0130M00596	TRANS, 150VA, 480V TO 230V (M4, M5, M6)
41	0130L00207	TRANSFORMER (M7, M8, M9)
51	PCBAG123	IGNITION BOARD, DSI INTEGRATED
61	0130M00038	TERMINAL BOARD
81	0130M00042	POWER BLOCK
171	0130M00025	24V RELAY (QTY 3)
181	0130M00242	RELAY, 24V (QTY 2)
191	10135604	RELAY (QTY 2)
201	0121L00586	CAPACITOR COVER
231	CAP100000370LA	CAP, 10 MFD/370V/OVAL (M1, M2, M3, M4, M5, M6)
231	CAP050000440LA	CAPACITOR (M7, M8, M9)
241	B1368250	TERMINAL BLOCK (HIGH VOLTAGE)
271	20520901	CAPACITOR STRAP (QTY 3)
351	0130L00082	ROTARY MANUAL MOTOR PROTECTOR (M5, M6, M8, M9)
351	0130L00083	ROTARY MANUAL MOTOR PROTECTOR (M4)
351	0130L00084	ROTARY MANUAL MOTOR PROTECTOR (M2, M3, M7)
351	0130L00086	ROTARY MANUAL MOTOR PROTECTOR (M1)
361	0130L00083	ROTARY MANUAL MOTOR PROTECTOR (M7, M8, M9)
361	0130L00084	ROTARY MANUAL MOTOR PROTECTOR (M4, M5, M6)
361	0130L00085	ROTARY MANUAL MOTOR PROTECTOR (M1, M2, M3)
NS	0259L00185	BLOWER RELAY HARNESS
NS	0259L00186	BLOWER RELAY HARNESS
NS	0259L00190	CIRCUIT BREAKER HARNESS
NS	0259L00118	CONDENSER FAN HARNESS, LONG
NS	0259L00117	CONDENSER FAN HARNESS, MEDIUM
NS	0259L00116	CONDENSER FAN HARNESS, SHORT
NS	0259L00183	CRANK CASE HEATER WIRE HARNESS
NS	0159L00052	HARNESS JUMPER LONG
NS	0259L00134	HARNESS, 12 PIN GAS
NS	0159L00051	HARNESS, JUMPER SHORT
NS	0259L00181	HARNESS-BELT DRIVE 2 SP MOTOR
NS	0259L00187	ISO RELAY HARNESS
NS	0259L00188	TERMINAL BOARD HARNESS
NS	0259L00171	TRANSFORMER HARNESS
NS	0259L00189	TRANSFORMER HARNESS
NS	0259L00169	WIRE HARNESS ASSY
NS	0259L00175	WIRE HARNESS ASSY
NS	0259L00193	WIRE HARNESS, ECONOMIZER

Expanded Model Nomenclature

M1 - DBG1803SAA
M2 - DBG1803VAA
M3 - DBG1803VH00001SAA
M4 - DBG1804SAA
M5 - DBG1804VAA
M6 - DBG1804VH00001SAA
M7 - DBG1807SAA
M8 - DBG1807VAA
M9 - DBG1807VH00001SAA