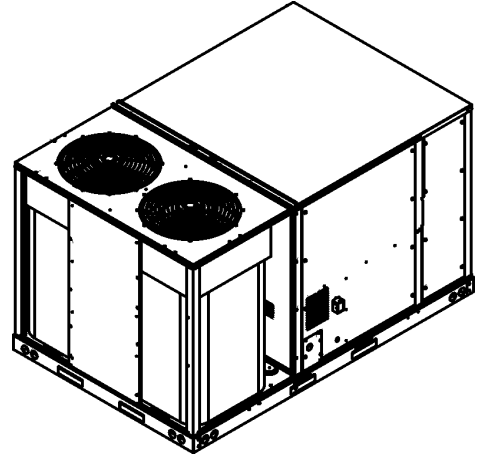

Light Commercial DBG 12.5 Ton Package Gas Unit

DBG1503VH00001SAA
DBG1504VH00001SAA
DBG1507VH00001SAA



This manual is to be used by qualified technicians only.

Important Information

Index

| | |
|------------------------------|--------|
| Functional Parts List | 3 |
| Illustration and Parts | 4 - 17 |

Views shown are for parts illustrations only, not servicing procedures.

Text Codes:

AR - As Required

NA - Not Available

NS - Not Shown

00000000 - See Note

QTY - Quantity Example (QTY 3) (If Quantity not shown, Quantity = 1)

M - Model Example (M1) (If M Code not shown, then part is used on all Models)

Expanded Model Nomenclature:

| |
|--------------|
| Example |
| M1 - Model#1 |
| M2 - Model#2 |
| M3 - Model#3 |

Daikin Company, L.P. is not responsible for personal injury or property damage resulting from improper service. Review all service information before beginning repairs.

Warranty service must be performed by an authorized technician, using authorized factory parts. If service is required after the warranty expires, Daikin Company, L.P. also recommends contacting an authorized technician and using authorized factory parts.

Daikin Company, L.P. reserves the right to discontinue, or change at any time, specifications or designs without notice or without incurring obligations.

For assistance within the U.S.A. contact:

Equipment Support
Daikin North America, LLC
19001 Kermier Road
Waller, Texas 77484
855-770-5678-Telephone
713-863-2382-Facsimile

For assistance outside the U.S.A. contact:

International Division
Daikin North America, LLC
19001 Kermier Road
Waller, Texas 77484
713-861-2500-Telephone
713-863-2382-Facsimile

Functional Parts

Part

No: Description:

| | |
|----------------|-------------------------------------|
| 0130M00249 | AUXILLAY SWITCH (QTY 2) |
| 0163L00006 | BURNER BECKETT |
| CAP100000370LA | CAP, 10 MFD/370V/OVAL (M1, M2) |
| CAP050000440LA | CAPACITOR (M3) |
| ZP61KCETFE130 | COMP, 61,500, 575/60/3 (M3) |
| ZP61KCETF5130 | Comp, 61500,200/230/60/3 (M1) |
| ZP61KCETFD130 | COMP, 61500,460/60/3 (M2) |
| CONT2P025024V | CONT 2 POLE 25 AMP 24 VAC |
| CONT3P030024V | CONT, 3 POLE 30 AMP 24VAC (QTY 4) |
| 0130L00240 | CRANK CASE HEATER-70W 240V (M1) |
| 0130L00241 | CRANK CASE HEATER-70W 480V (M2) |
| 0130L00242 | CRANK CASE HEATER-70W 575V (M3) |
| 0130M00178 | DPDT RELAY 24VAC (QTY 2) |
| 0150M00065 | FAN BLADE, 22' (QTY 2) |
| 0130F00010 | FLAME SENSOR |
| 0151L00000 | GAS VALVE MANIFOLD 36H |
| 0130M00074 | HIGH PRESSURE SWITCH (QTY 2) |
| 0130L00251 | IGNITOR |
| 20162904 | LIMIT, PRIMARY |
| 0130M00663 | LIMIT, PRIMARY |
| 10123529 | LIMIT-RESET MAN-GREEN |
| 0130M00087 | LOW PRESSURE SWITCH (QTY 2) |
| 0131L00070 | MOTOR, 3PH, 3H.P. (M1) |
| 0131L00072 | MOTOR, 3PH, 3HP (M3) |
| 0131L00071 | Motor, 3PH, 3HP (M2) |
| 0131M00925 | Nidec Motor, 1/2 HP (M1) |
| 0131M00926 | Nidec Motor, 1/2 HP (M2) |
| 0131M00930 | Nidec Motor, 1/2 HP (M3) |
| PCBAG123 | PCB, IGNITION, DSI, INTEG |
| 11112501 | SWITCH-PRESSURE |
| B1370772 | TIME DEALY ICM 180SEC DELA |
| 0130M00598 | TRANSFMR 75VA 575V TO 24V (M3) |
| 0130M00596 | TRANSFMR, 150VA, 480V TO 23 (M2) |
| 0130M00597 | TRANSFMR, 150VA, 575V TO 230V (M3) |
| 0130M00594 | TRANSFORMER (M1) |
| 0130M00595 | TRANSFORMER, 75VA, 480V TO 24V (M2) |
| 0130M00597 | TRANSFORMER, 75VA, 575V TO 24V (M3) |
| 0131L00120 | VENT MOTOR |

SPECIAL PARTS

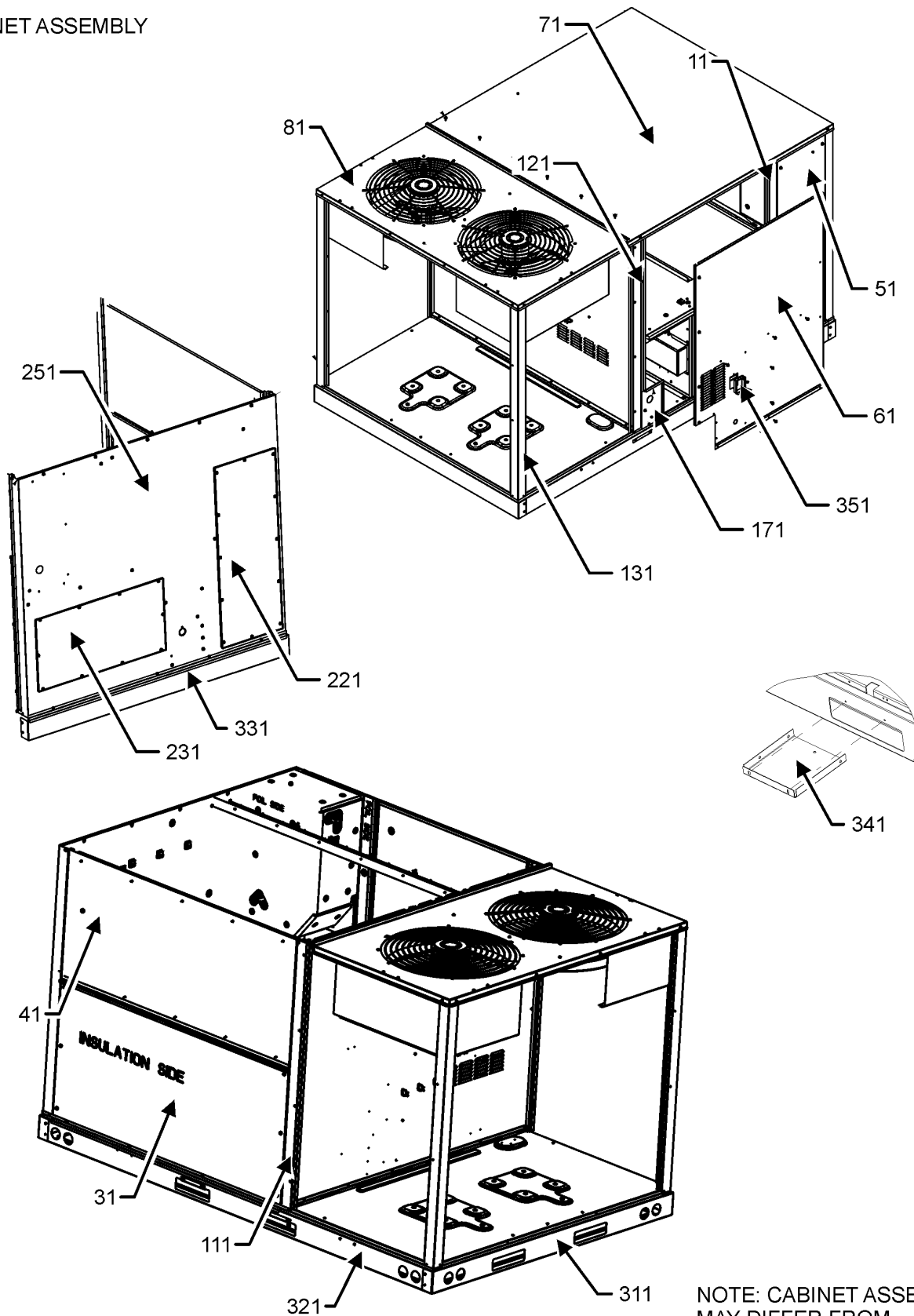
| | |
|----------------|----------------------|
| RP-FIOPMC* | ACCESSORY RP MANUAL |
| RP-EHS(D/B)MC* | HEATER KIT RP MANUAL |
| RP-EHX(D/B)MC* | HEATER KIT RP MANUAL |

Expanded Model Nomenclature

| |
|------------------------|
| M1 - DBG1503VH00001SAA |
| M2 - DBG1504VH00001SAA |
| M3 - DBG1507VH00001SAA |

CABINET ASSEMBLY

CABINET ASSEMBLY



NOTE: CABINET ASSEMBLY
MAY DIFFER FROM
WHAT IS SHOWN

CABINET ASSEMBLY

| Ref. Part No: No: | Description: | Ref. Part No: No: | Description: |
|----------------------|--------------|----------------------|--------------|
|----------------------|--------------|----------------------|--------------|

Image 1:

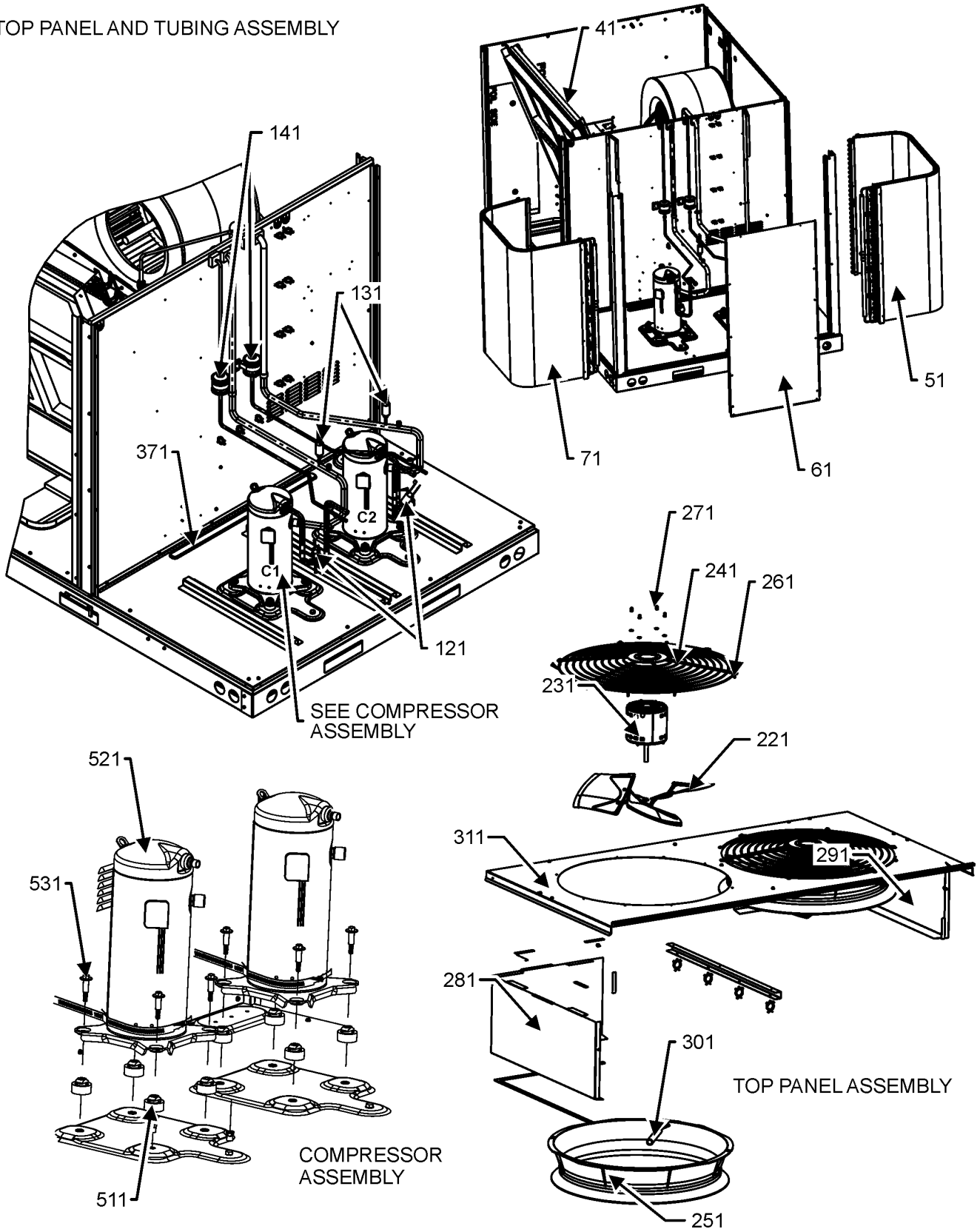
| | | | |
|-----|--------------|----------------------------|-------------------------------------|
| 11 | 0121L04041SB | PAINTE | PAINTED SIDE POST |
| 31 | 0121L04312SB | PAINTE | PAINTED, ECONOMIZER PANEL |
| 41 | 0121L03188SB | PAINTE | PAINTED FILTER PANEL 7.5 TON |
| 51 | 0121L02952SB | PAINTE | PAINTED CONTROL PANEL |
| 61 | 0121L03822SB | PAINTE | PAINTED BLOWER PANEL |
| 71 | 0121L02428SB | PAINTE | PAINTED, INDOOR TOP PANEL |
| 81 | 0121L04210SB | PAINTE | PAINTED, PANEL, OUTDOOR TOP |
| 111 | 0121L03187SB | PAINTE | PAINTED, SIDE POST |
| 121 | 0121L03469SB | PAINTE | PAINTED, SIDE POST |
| 131 | 0121L03902SB | PAINTE | PAINTED, PANEL, CORNER POST (QTY 2) |
| 221 | 0121L03508SB | PAINTE | PAINTED COVER DUCT RETURN |
| 231 | 0121L02921SB | PAINTE | PAINTED COVER DUCT SUPPLY |
| 251 | 0121L04176SB | PAINTE | PAINTED, PANEL, DUCT |
| 311 | 0121L04127 | BASE RAIL (QTY 2) | |
| 321 | 0121L01910 | END RAIL | |
| 331 | 0121L01920 | END RAIL | |
| 341 | 0121L03727 | BRACKET-FORK BOARD (QTY 4) | |
| 351 | 0121L03481SB | PAINTE | PAINTED BRKT FLUE COLLAR |
| NS | 0141L00084 | BOARD FORK (QTY 2) | |

Expanded Model Nomenclature

| |
|------------------------|
| M1 - DBG1503VH00001SAA |
| M2 - DBG1504VH00001SAA |
| M3 - DBG1507VH00001SAA |

TOP PANEL AND TUBING ASSEMBLY

TOP PANEL AND TUBING ASSEMBLY



NOTE: TOP PANEL AND TUBING ASSEMBLY MAY DIFFER FROM WHAT IS SHOWN

TOP PANEL AND TUBING ASSEMBLY

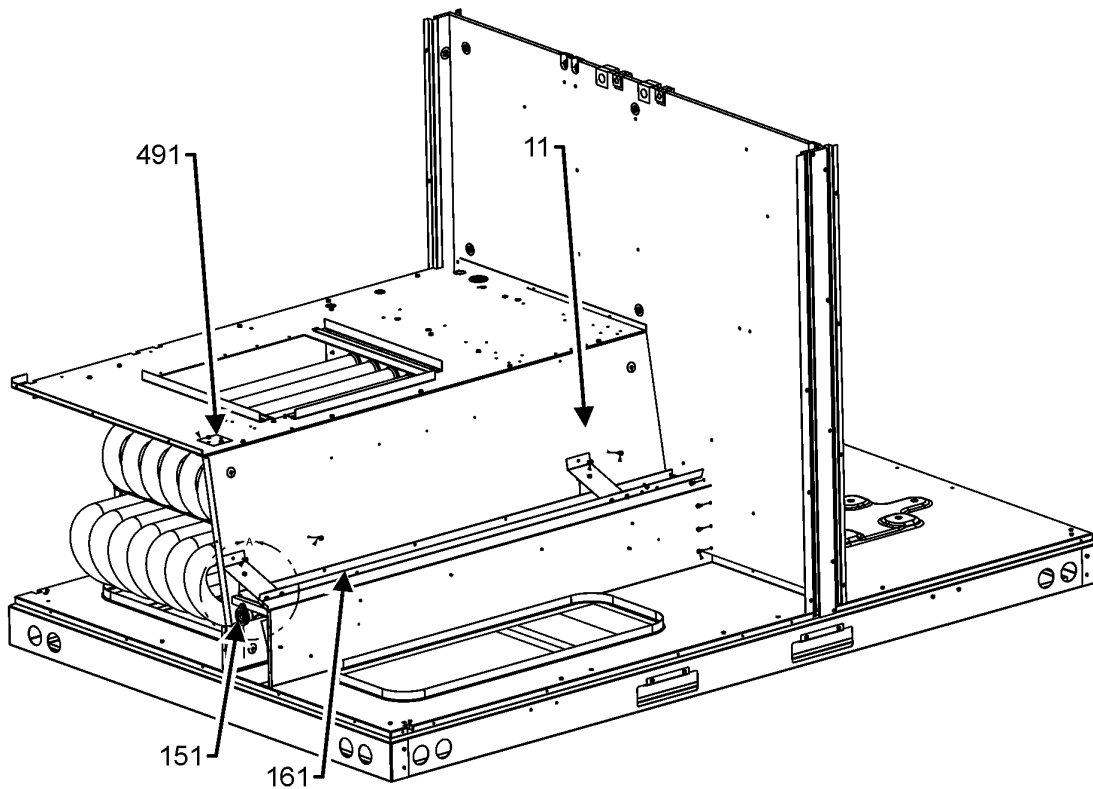
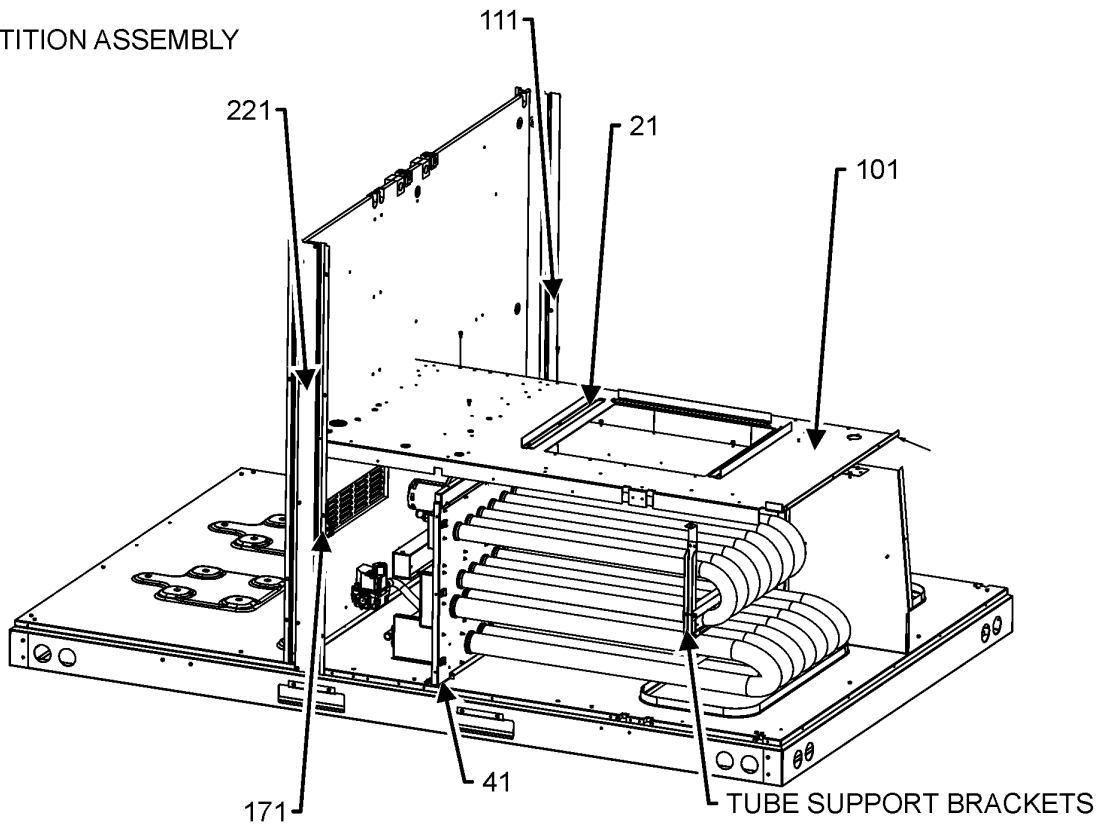
| Ref. Part No: No: | Description: | Ref. Part No: No: | Description: |
|-------------------|---------------|-------------------|-----------------------------------|
| Image 1: | | | |
| 41 | 0202L00408 | | ASSY., EVAP COIL |
| 51 | 0201L00673 | | ASSY CONDENSOR COIL |
| 61 | 0121L04184SB | | PAINTED, COVER, COND COIL |
| 71 | 0201L00674 | | ASSY CONDENSOR COIL |
| 121 | 0130M00074 | | HIGH PRESSURE SWITCH |
| 131 | 0130M00087 | | LOW PRESSURE SWITCH |
| 141 | 0151M00012 | | FILTER/DRIER-BI-FLOW (QTY 2) |
| 221 | 0150M00065 | | FAN BLADE, 22' (QTY 2) |
| 231 | 0131M00925 | | Nidec Motor, 1/2 HP (M1) |
| 231 | 0131M00926 | | Nidec Motor, 1/2 HP (M2) |
| 231 | 0131M00930 | | Nidec Motor, 1/2 HP (M3) |
| 241 | 0152G00000 | | FAN GRILLE, RAISED (QTY 2) |
| 251 | 0161R00048 | | MOLDED RING VENTURI 22 (QTY 2) |
| 261 | 0163M00004 | | SCREW #10X3/4 BLK (QTY 16) |
| 271 | 0163M00006P | | NUT, ACORN 5/16 HEX BLACK (QTY 8) |
| 281 | 0121L03797 | | COIL BLOCKOFF |
| 291 | 0121L03798 | | COIL BLOCKOFF |
| 301 | 0161R00003P | | CONDUIT (QTY 2) |
| 311 | 0121L04210SB | | PAINTED, PANEL, OUTDOOR TOP |
| 371 | 0121L04115 | | CHANNEL, BASEPAN |
| 511 | B1339533 | | GROMMET, COMPRESSOR (QTY 8) |
| 521 | ZP61KCETFE130 | | COMP, 61,500, 575/60/3 (M3) |
| 521 | ZP61KCETF5130 | | Comp, 61500,200/230/60/3 (M1) |
| 521 | ZP61KCETFD130 | | COMP, 61500,460/60/3 (M2) |
| 531 | B1393740 | | COMP BOLT & SLEEVE (QTY 8) |
| NS | 0160L00137 | | AIR FILTER (QTY 4) |
| NS | 0130L00240 | | CRANK CASE HEATER-70W 240V (M1) |
| NS | 0130L00241 | | CRANK CASE HEATER-70W 480V (M2) |
| NS | 0130L00242 | | CRANK CASE HEATER-70W 575V (M3) |
| NS | 0159L00066 | | Harness, comp scroll (M2, M3) |
| NS | 0159L00067 | | Harness, comp scroll (M2, M3) |
| NS | 0159L00068 | | Harness, comp scroll (M1) |
| NS | 0159L00069 | | Harness, comp scroll (M1) |
| NS | M0272803 | | WASHER LOCK (QTY 4) |
| NS | 0163M00005P | | WASHER, BLACK .50OD.218ID (QTY 8) |

Expanded Model Nomenclature

| |
|------------------------|
| M1 - DBG1503VH00001SAA |
| M2 - DBG1504VH00001SAA |
| M3 - DBG1507VH00001SAA |

PARTITION ASSEMBLY

PARTITION ASSEMBLY



NOTE: PARTITION ASSEMBLY MAY DIFFER FROM WHAT IS SHOWN

PARTITION ASSEMBLY

| Ref. Part No: | No: | Description: | Ref. Part No: | No: | Description: |
|---------------|-----|--------------|---------------|-----|--------------|
|---------------|-----|--------------|---------------|-----|--------------|

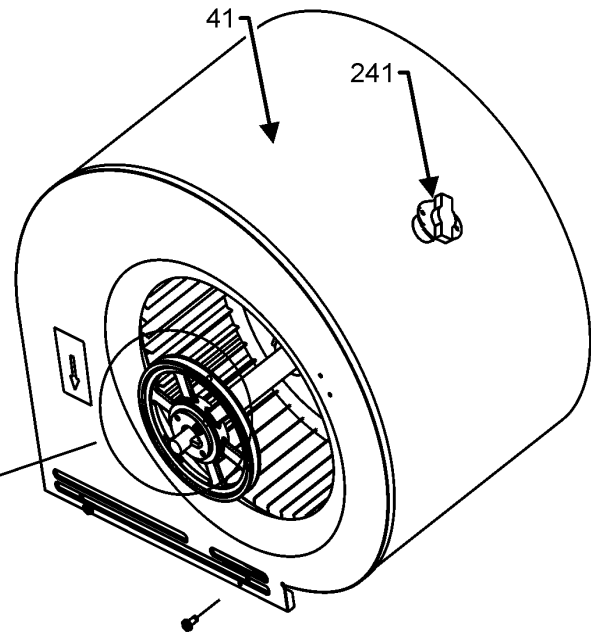
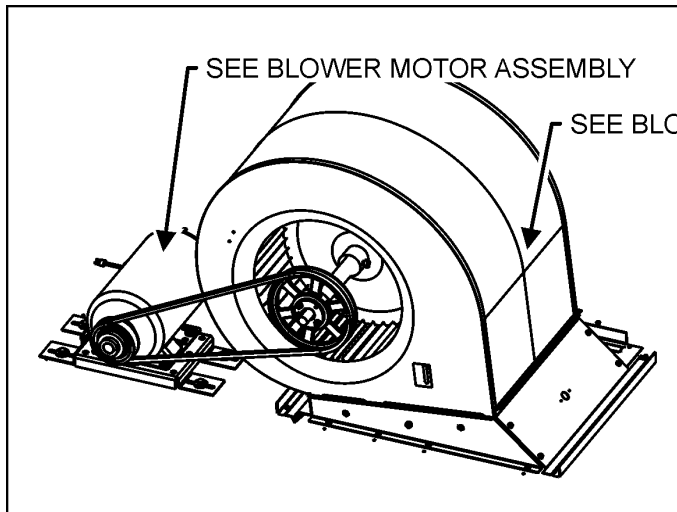
Image 1:

| | | |
|-----|--------------|----------------------------|
| 11 | 0121L04084 | BLOWER DECK, BOTTOM |
| 21 | 0121I03084 | BLOWER SLIDE PLATE (QTY 3) |
| 41 | 0121L02337 | HEAT EXCHANGER RAIL |
| 41 | 0121L03676 | HEAT EXCHANGER RAIL |
| 101 | 0121L04139 | BLOWER DECK |
| 111 | 0121L03187SB | PAINTED SIDE POST |
| 151 | 0154L00143 | GASKET-EPDM |
| 161 | 0161L00002 | DRAIN PAN EVAP 7TO12 |
| 171 | 11112501 | SWITCH-PRESSURE |
| 221 | 0121L03469SB | PAINTED SIDE POST |
| 491 | 0121L00321 | COVER SMOKE DETECTOR |
| NS | 0121L02903 | BRACKET, TUBE SUPPORT |
| NS | 0121L02904 | BRACKET, TUBE SUPPORT |
| NS | 0121L04024 | BRACKET, TUBE SUPPORT |
| NS | 0121L02929 | BRACKET,MOUNT SUPPORT TUBE |
| NS | 0154L00157 | GASKET |
| NS | 0161L00012 | PLUG DRAIN PAN |

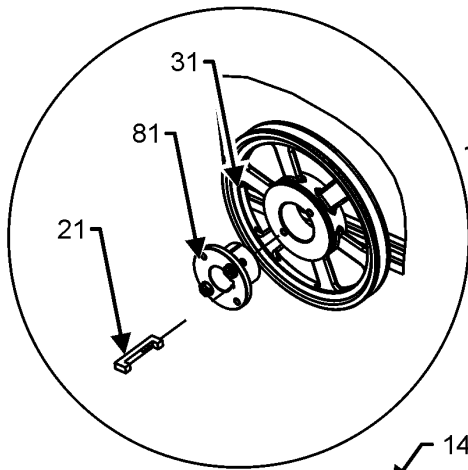
Expanded Model Nomenclature

| |
|------------------------|
| M1 - DBG1503VH00001SAA |
| M2 - DBG1504VH00001SAA |
| M3 - DBG1507VH00001SAA |

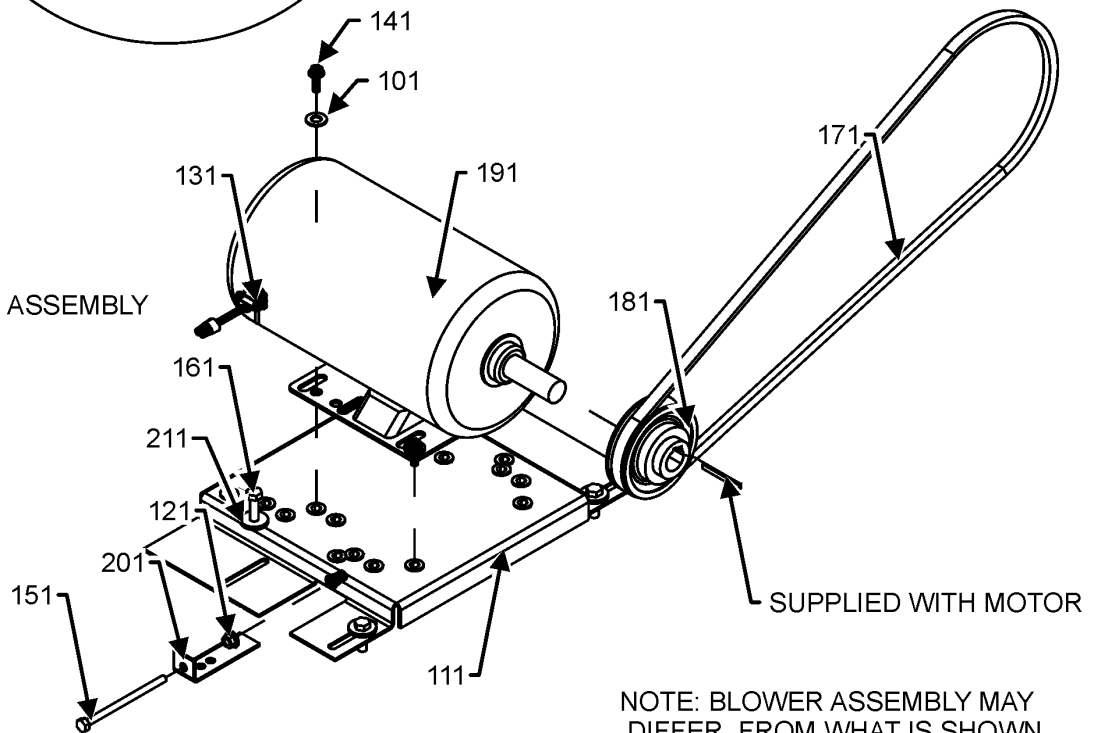
BLOWER ASSEMBLY



BLOWER HOUSING ASSEMBLY



BLOWER MOTOR ASSEMBLY



NOTE: BLOWER ASSEMBLY MAY DIFFER FROM WHAT IS SHOWN

BLOWER ASSEMBLY

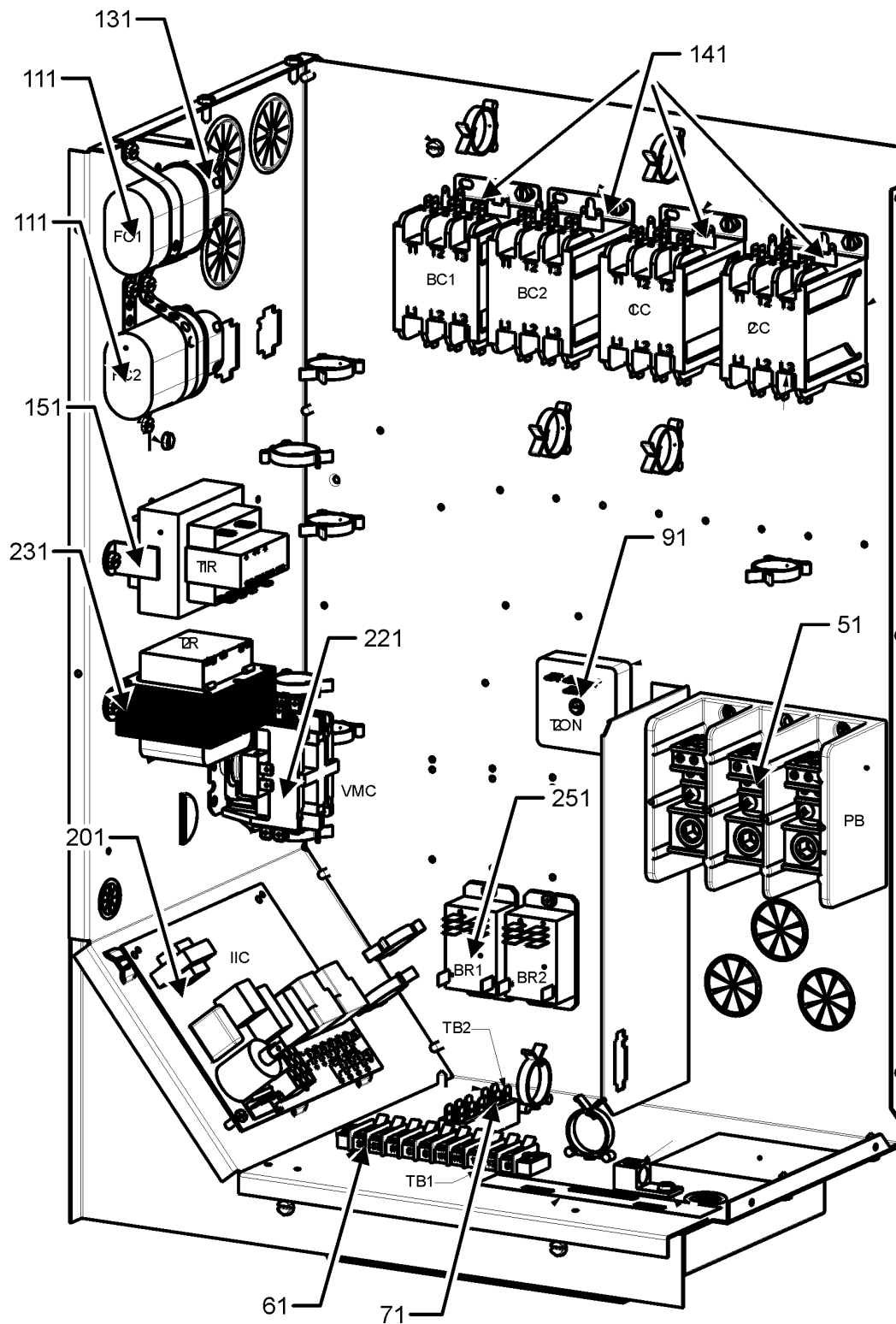
| Ref. Part No: | No: | Description: | Ref. Part No: | No: | Description: |
|-----------------|------------|-------------------------------|---------------|-----|--------------|
| Image 1: | | | | | |
| 21 | 0163M00407 | MACHINE KEY SPECIAL | | | |
| 31 | 0163L00157 | SHEAVE, FIXED AK79H | | | |
| 41 | 04-01526 | BLOWER HOUSING | | | |
| 81 | 0163L00131 | BUSHING 1" | | | |
| 101 | B1392923 | WAHSER FLAT (QTY 4) | | | |
| 111 | 0121L03930 | MOTOR BASE | | | |
| 121 | B1393023 | NUT LOCK .25-20 | | | |
| 131 | B1393726 | ELECT CONNECTING BUSHING | | | |
| 141 | B1393738 | BOLT 1/4-20X3/4 (QTY 4) | | | |
| 151 | 0163M00045 | BOLT 1/4-20X4 | | | |
| 161 | B1446707 | SCREW 5/16-18X1" (QTY 4) | | | |
| 171 | 0164L00000 | FAN BELT, NOTCHED AX51 | | | |
| 181 | 0163L00066 | VP SHEAVE 1VP44 X 1-1/8 | | | |
| 191 | 0131L00070 | MOTOR, 3PH, 3H.P. (M1) | | | |
| 191 | 0131L00071 | Motor, 3PH, 3HP (M2) | | | |
| 191 | 0131L00072 | MOTOR, 3PH, 3HP (M3) | | | |
| 201 | 3225000F | ANGLE BELT TIGHTENER | | | |
| 211 | B1392918 | WASHER FLAT 1/4IDX1OD (QTY 4) | | | |
| 241 | 20162904 | LIMIT, PRIMARY | | | |
| NS | 04-02196 | BEARING&FRAME ASSY | | | |
| NS | 04-11526 | BLOWER SHAFT | | | |
| NS | 03-78497 | BLOWER WHEEL | | | |

Expanded Model Nomenclature

| |
|------------------------|
| M1 - DBG1503VH00001SAA |
| M2 - DBG1504VH00001SAA |
| M3 - DBG1507VH00001SAA |

CONTROL BOX ASSEMBLY

CONTROL BOX ASSEMBLY



NOTE: CONTROL BOX ASSEMBLY MAY DIFFER FROM WHAT IS SHOWN

CONTROL BOX ASSEMBLY

| Ref. Part No: | No: | Description: | Ref. Part No: | No: | Description: |
|---------------|-----|--------------|---------------|-----|--------------|
|---------------|-----|--------------|---------------|-----|--------------|

Image 1:

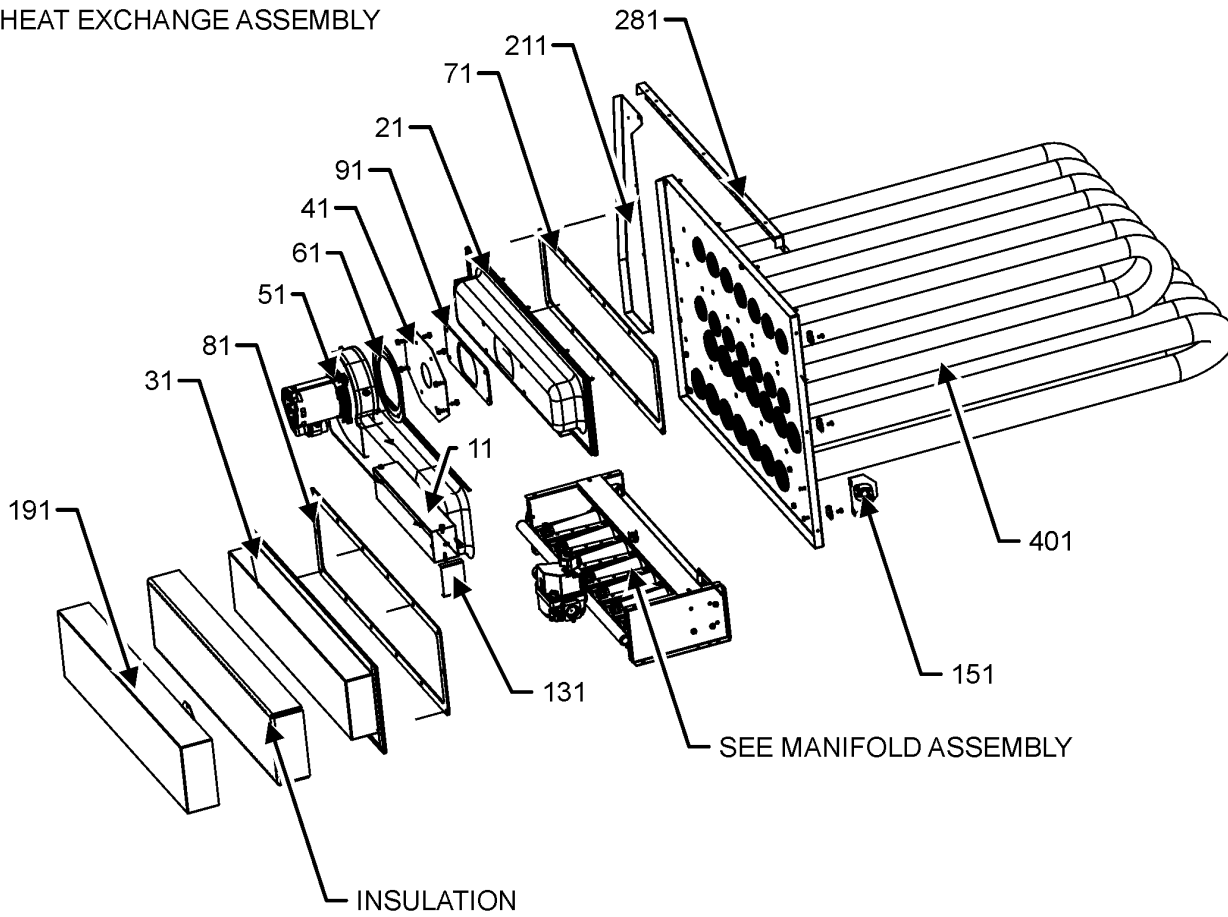
| | | |
|-----|----------------|-------------------------------------|
| 51 | 0130M00042 | BLOCK POWER |
| 61 | 0130M00240 | TERMINAL BOARD |
| 71 | 802007090 | TERM BOARD |
| 91 | B1370772 | TIME DEALY ICM 180SEC DELA |
| 111 | CAP100000370LA | CAP, 10 MFD/370V/OVAL (M1, M2) |
| 111 | CAP050000440LA | CAPACITOR (M3) |
| 131 | B821700 | BOOT CAPACITOR (QTY 2) |
| 141 | CONT3P030024V | CONT, 3 POLE 30 AMP 24VAC (QTY 4) |
| 151 | 0130M00598 | TRANSFMR 75VA 575V TO 24V (M3) |
| 151 | 0130M00594 | TRANSFORMER (M1) |
| 151 | 0130M00595 | TRANSFORMER, 75VA, 480V TO 24V (M2) |
| 151 | 0130M00597 | TRANSFORMER, 75VA, 575V TO 24V (M3) |
| 201 | PCBAG123 | PCB, IGNITION, DSI, INTEG |
| 221 | CONT2P025024V | CONT 2 POLE 25 AMP 24 VAC |
| 231 | 0130M00596 | TRANSFMR, 150VA, 480V TO 23 (M2) |
| 231 | 0130M00597 | TRANSFMR, 150VA, 575V TO 230V (M3) |
| 251 | 0130M00178 | DPDT RELAY 24VAC (QTY 2) |
| NS | 0130M00249 | AUXILLAY SWITCH (QTY 2) |
| NS | 20520901 | STRAP-CAPACITOR (QTY 7) |

Expanded Model Nomenclature

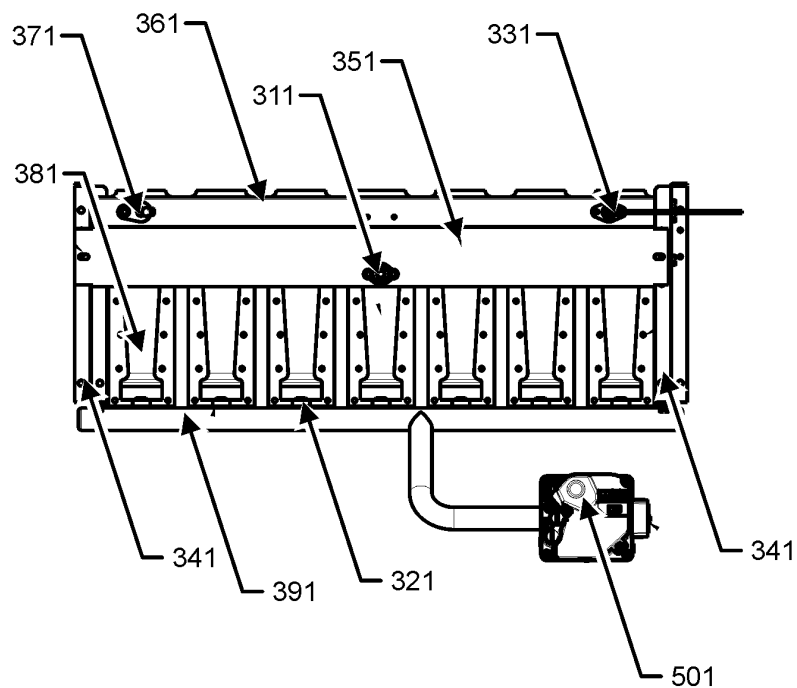
| |
|------------------------|
| M1 - DBG1503VH00001SAA |
| M2 - DBG1504VH00001SAA |
| M3 - DBG1507VH00001SAA |

HEAT EXCHANGE ASSEMBLY

HEAT EXCHANGE ASSEMBLY



MANIFOLD ASSEMBLY



HEAT EXCHANGE ASSY MAY DIFFER FROM WHAT IS SHOWN

HEAT EXCHANGE ASSEMBLY

| Ref. Part No: | No: | Description: | Ref. Part No: | No: | Description: |
|-----------------|------------|--------------------------------|---------------|-----|--------------|
| Image 1: | | | | | |
| 11 | 0121L03623 | FLUE HT EXCH (QTY 2) | | | |
| 21 | 0121L02892 | BOX, COLLECTOR UPPER | | | |
| 31 | 0121L02893 | BOX, COLLECTOR LOWER | | | |
| 41 | 0121L01706 | PLATE ORIFICE 2.000" | | | |
| 51 | 0131L00120 | VENT MOTOR | | | |
| 61 | 0154L00141 | GASKET | | | |
| 71 | 0154L00039 | GASKET | | | |
| 81 | 0154L00038 | GASKET | | | |
| 91 | 0154L00040 | GASKET | | | |
| 131 | 0163L00006 | SCREEN FLUE | | | |
| 151 | 0130M00663 | LIMIT, PRIMARY | | | |
| 191 | 0121L02660 | COVER INSUL BOX COLL LOWER | | | |
| 211 | 0121L03220 | HEAT EXCHANGER BLOCKOFF | | | |
| 281 | 0121L03221 | SUPPORT BLOCKOFF HT EXCH | | | |
| 311 | 10123529 | LIMIT-RESET MAN-GREEN | | | |
| 321 | 0163L00021 | ORIFICE (QTY 7) | | | |
| 331 | 0130L00251 | IGNITOR | | | |
| 341 | 0121L02998 | BRACKET SUPPORT BURNER (QTY 2) | | | |
| 351 | 0121L03023 | BRACKET ROLLOUT FLAME BR 7 | | | |
| 361 | 0121L02690 | BRACKET BURNER 7 | | | |
| 371 | 0130F00010 | FLAME SENSOR | | | |
| 381 | 0163L00006 | BURNER BECKETT | | | |
| 391 | 0163L00144 | MANIFOLD | | | |
| 401 | 0270L01355 | ASSY PANEL PARTITION | | | |
| 501 | 0151L00000 | GAS VALVE MANIFOLD 36H | | | |
| NS | 0121L02859 | BRACKET, LIMIT PRIMARY | | | |
| NS | 0259L01055 | WIRE HARNESS ASSY | | | |

Expanded Model Nomenclature

| |
|------------------------|
| M1 - DBG1503VH00001SAA |
| M2 - DBG1504VH00001SAA |
| M3 - DBG1507VH00001SAA |

ACCESSORY PARTS LIST

NOTE: NOT ALL OPTIONS AVAILABLE FOR ALL PRODUCTS

FOR ACCESSORY PARTS SEE THE FOLLOWING PART MANUAL

RP-FIOPMC*

RP-EHS[D/B]MC*

RP-EHX[D/B]MC*

ACCESSORY LIST

| Ref. Part No: No: | Description: | Ref. Part No: No: | Description: |
|----------------------|--------------|----------------------|--------------|
|----------------------|--------------|----------------------|--------------|

Image 1:

| | | |
|----|----------------|----------------------|
| NS | RP-FIOPMC* | ACCESSORY RP MANUAL |
| NS | RP-EHS(D/B)MC* | HEATER KIT RP MANUAL |
| NS | RP-EHX(D/B)MC* | HEATER KIT RP MANUAL |

Expanded Model Nomenclature

- M1 - DBG1503VH00001SAA
- M2 - DBG1504VH00001SAA
- M3 - DBG1507VH00001SAA