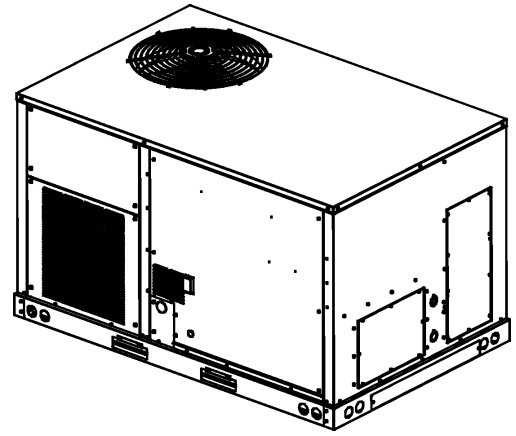


Commercial 3 Ton (DBG) High Static Belt Drive Package Gas Unit

DBG0363CH00001FAA
DBG0363CL00001FAA
DBG0363CM00001FAA
DBG0364CH00001FAA
DBG0364CL00001FAA
DBG0364CM00001FAA
DBG0367CH00001FAA



This manual is to be used by qualified technicians only.

Important Information

Index

Functional Parts List	3
Illustration and Parts	4 - 17

Views shown are for parts illustrations only, not servicing procedures

Text Codes:

AR - As Required

NA - Not Available

NS - Not Shown

00000000 - See Note

QTY - Quantity Example (QTY 3) (If Quantity not shown, Quantity = 1)

M - Model Example (M1) (If M Code not shown, then part is used on all Models)

Expanded Model Nomenclature:

Example M1 - Model#1 M2 - Model#2 M3 - Model#3

Daikin Company, L.P. is not responsible for personal injury or property damage resulting from improper service. Review all service information before beginning repairs.

Warranty service must be performed by an authorized technician, using authorized factory parts. If service is required after the warranty expires, Daikin Company, L.P. also recommends contacting an authorized technician and using authorized factory parts.

Daikin Company, L.P. reserves the right to discontinue, or change at any time, specifications or designs without notice or without incurring obligations.

For assistance within the U.S.A. contact:

Equipment Support
Daikin North America, LLC
19001 Kermier Road
Waller, Texas 77484
855-770-5678-Telephone
713-863-2382-Facsimile

For assistance outside the U.S.A. contact:

International Division
Daikin North America, LLC
19001 Kermier Road
Waller, Texas 77484
713-861-2500-Telephone
713-863-2382-Facsimile

Functional Parts

Part

No: Description:

0163F00017	BECKETT BURNER (QTY 5)
10625733	BLADE-FAN 22" ALUM CCW
B1368056	BLOWER WHEEL
CAP050000370LA	CAP, 5 MFD/370V/OVAL (M1, M2, M3)
CAP040000370VA	CAPACITOR (M4, M5, M6)
CAP030000440LA	CAPACITOR (M7)
ZP31K5ETFE130	COMP, 31100,575/60/3 (M7)
ZP31K5ETF5130	COMP, 31200,200/230/60/3 (M1, M2, M3)
ZP31K5ETFD130	COMP,31200,460/60/3 (M4, M5, M6)
CONT2P025024V	CONT 2 POLE 25 AMP 24 VAC
CONT3P025024V	CONT 3 POLE 25 AMP 24 VAC
CONT3P025024V	CONT 3 POLE 25 AMP 24 VAC
0130F00010	FLAME SENSOR
0151F00000P	GAS VALVE - WHITE-RODGERS 2-STAGE
0130M00280	HIGH PRESSURE SWITCH
20261709	IGNITOR
0130M00662	LIMIT, PRIMARY (M3, M6)
0130M00660	LIMIT, PRIMARY (M1, M2, M4, M5, M7)
20162904	LIMIT-BROWN
10123531	LIMIT-RESET MAN (M3, M6)
0130M00087	LOW PRESSURE SWITCH
10123532	MANUAL RESET LIMIT 350°F (M1, M2, M4, M5, M7)
0131M00963	MOTOR 1/6H.P., 1SP, 8PL (M7)
0131M00964	MOTOR 1/6H.P., 1SP, 8PL (M1, M2, M3)
0131M00962	MOTOR 1/6H.P., 1SP, 8PL (M4, M5, M6)
0131L00003	MOTOR-1 HP BELT DRIVE (M1, M2, M3, M4, M5, M6)
0131L00004	MOTOR-1.5 HP BELT DRIVE 575 (M7)
PCBAG123	PCB IGNITION DSI INTEG
11112501	SWITCH-PRESSURE
0130M00598	TRANSFMR 75VA 575V TO 24V (M7)
0130M00596	TRANSFMR, 150VA, 480V TO 23 (M4, M5, M6)
0130M00595	TRANSFORMER, 75VA, 480V TO 24V (M4, M5, M6)
B1141654	TRANSFORMER,208-240,75VA,RESET (M1, M2, M3)

SPECIAL PARTS

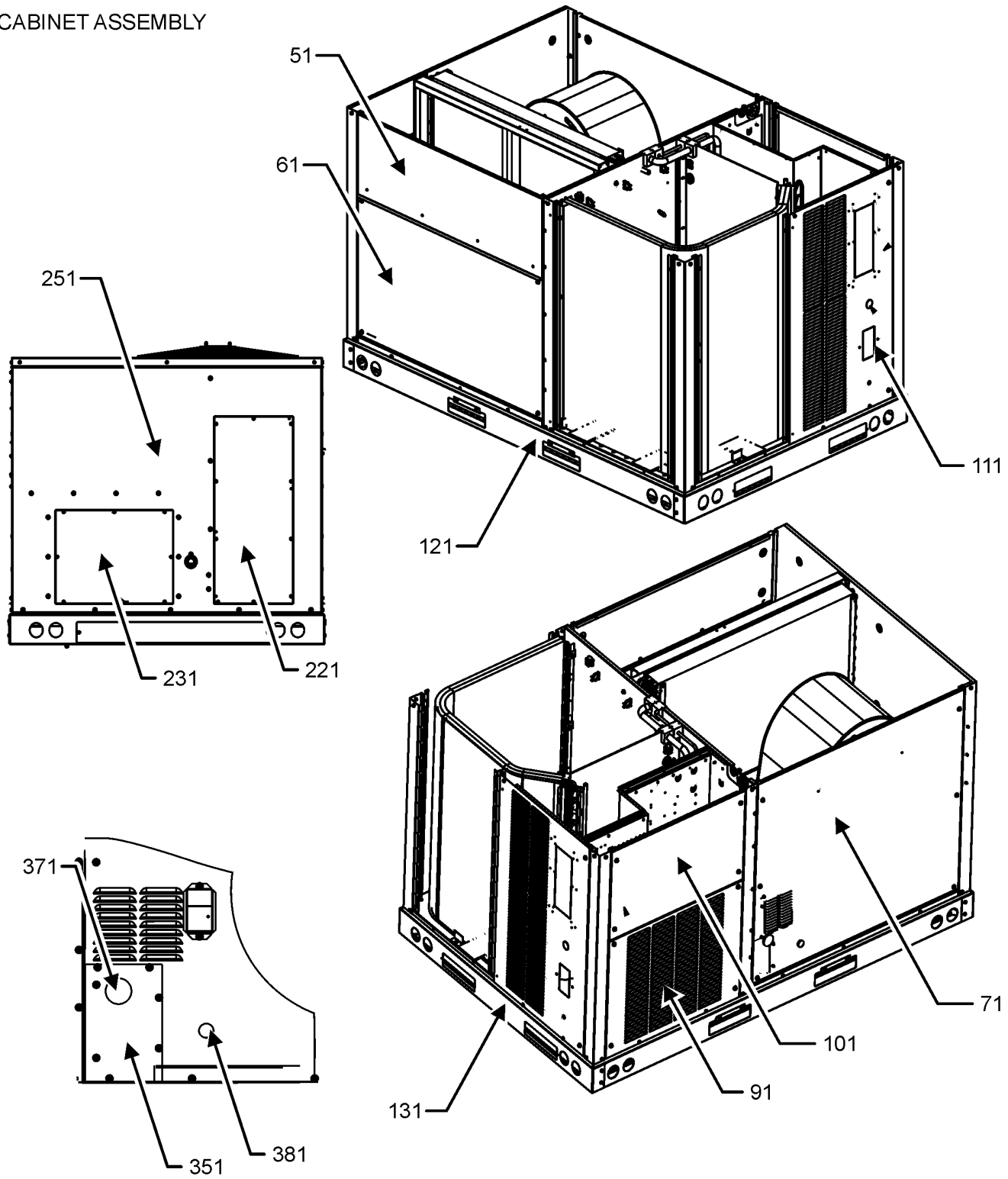
RP-FIOPSC* ACCESSORY RP MANUAL

Expanded Model Nomenclature

M1 - DBG0363CH00001FAA
M2 - DBG0363CL00001FAA
M3 - DBG0363CM00001FAA
M4 - DBG0364CH00001FAA
M5 - DBG0364CL00001FAA
M6 - DBG0364CM00001FAA
M7 - DBG0367CH00001FAA

CABINET ASSEMBLY

CABINET ASSEMBLY



BURNER DOOR DETAIL

NOTE: CABINET ASSEMBLY MAY DIFFER FROM WHAT IS SHOWN

CABINET ASSEMBLY

Ref. Part No:	No:	Description:	Ref. Part No:	No:	Description:
---------------	-----	--------------	---------------	-----	--------------

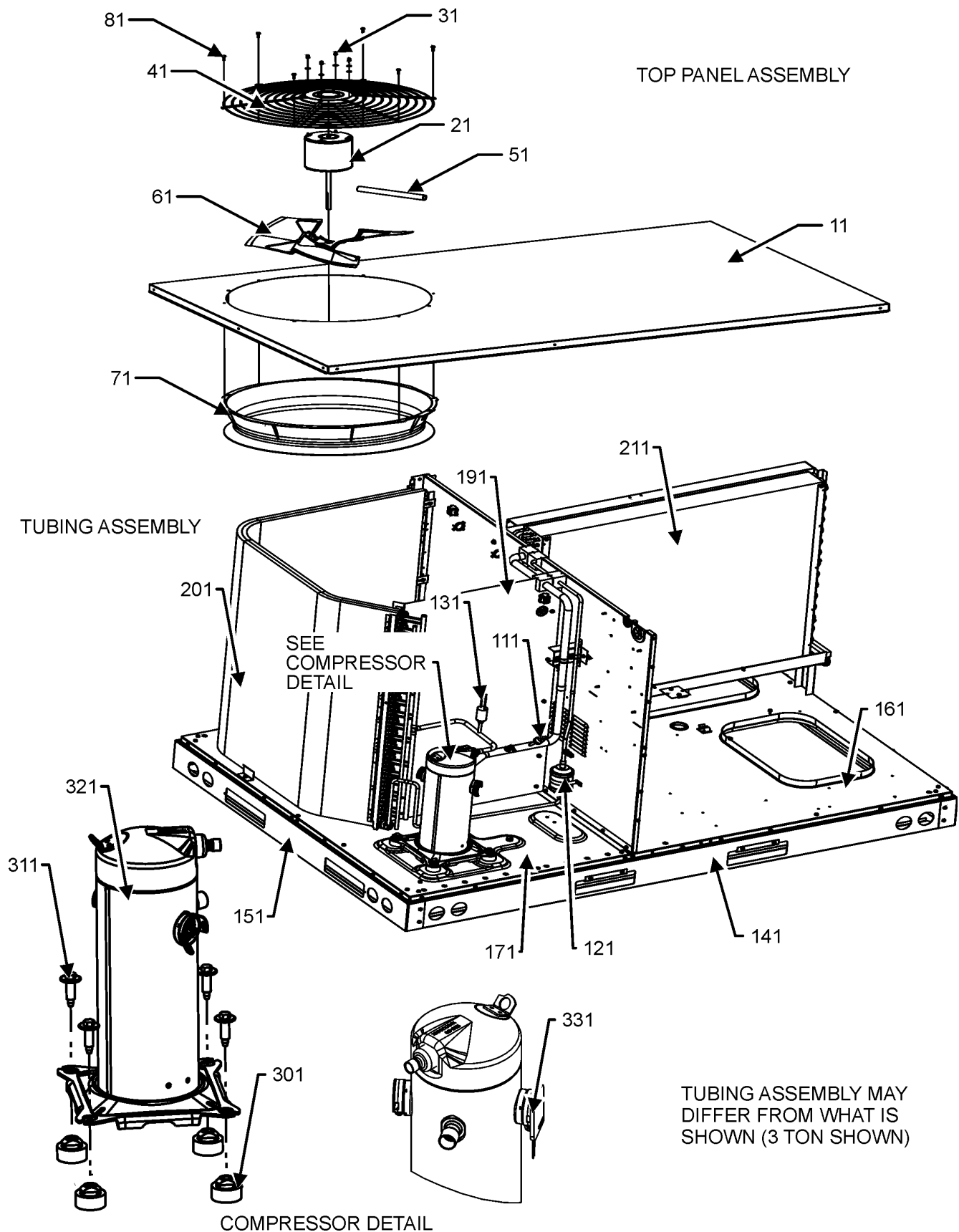
Image 1:

51	0121L01734SB	PAINTED FILTER PANEL
61	0121L01651SB	PAINTED ECONOMIZER PANEL
71	0121L03626SB	PAINTED PANEL GAS BLOWER
91	0121L02263SB	PAINTED COMPRESSOR PANEL
101	0121L02262SB	PAINTED CONTROL BOX PANEL
111	0121L03642SB	COMPRESSOR BACK PANEL
121	0121L01620	SIDE RAIL (QTY 2)
131	0121L01621	END RAIL (QTY 2)
221	0121L02910SB	PAINTED COVER-DUCT RETURN
231	0121L02911SB	PAINTED COVER-DUCT SUPPLY
251	0121L02996SB	PAINTED BACK PANEL
351	0121L03443SB	PAINTED, GAS INLET PANEL
371	B1910010	GROMMET, GAS LINE
381	B1392139	VIEW PORT BUSHING, CLEAR 1.0
NS	0121L03892	HEAT EXCHANGER FLASHING
NS	0121L03288SB	PAINTED, COLLAR, FLUE

Expanded Model Nomenclature

M1 - DBG0363CH00001FAA
M2 - DBG0363CL00001FAA
M3 - DBG0363CM00001FAA
M4 - DBG0364CH00001FAA
M5 - DBG0364CL00001FAA
M6 - DBG0364CM00001FAA
M7 - DBG0367CH00001FAA

TOP PANEL AND TUBING ASSEMBLY



TOP PANEL AND TUBING ASSEMBLY

Ref. Part No: No:	Description:	Ref. Part No: No:	Description:
-------------------	--------------	-------------------	--------------

Image 1:

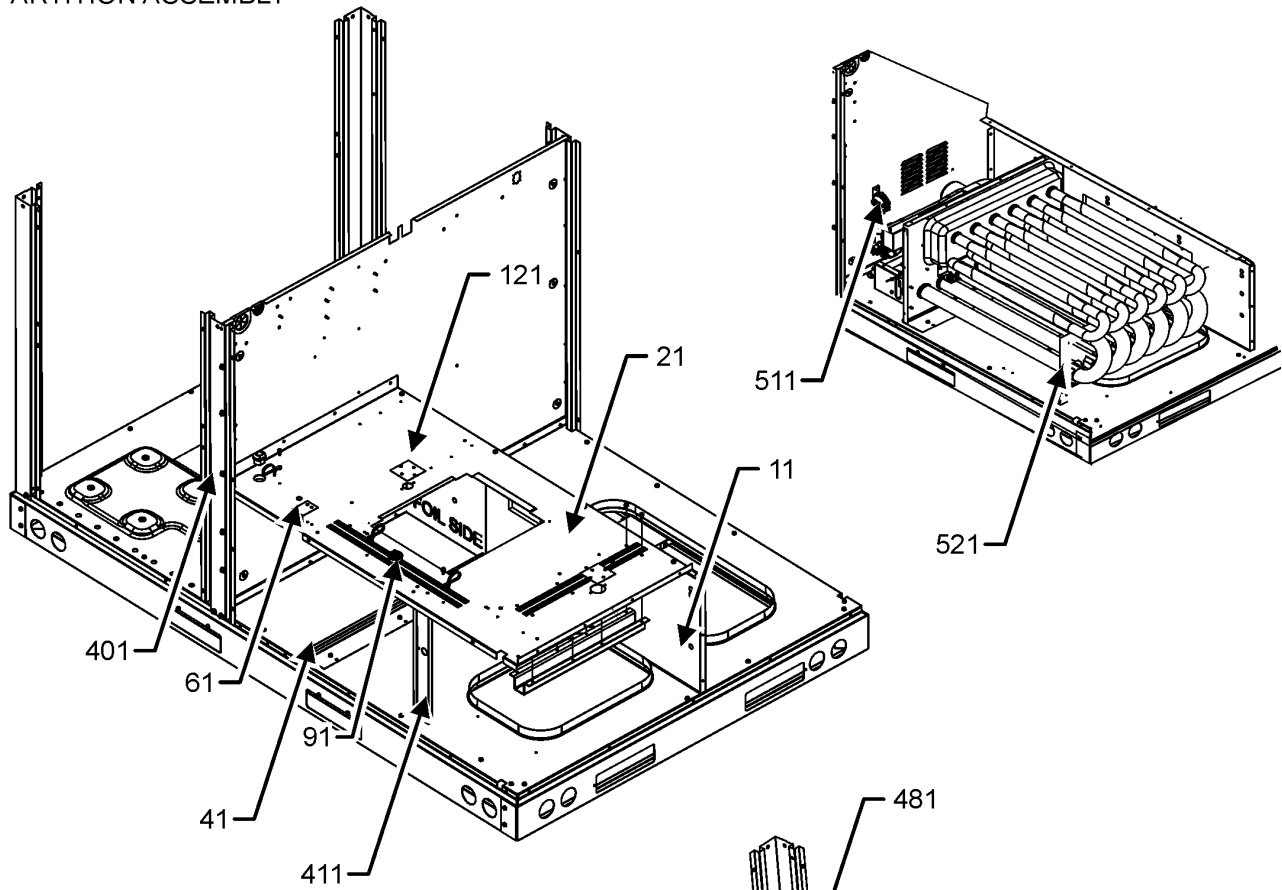
11	0121L01626SB	PAINTED, TOP PANEL
21	0131M00962	MOTOR 1/6H.P., 1SP, 8PL (M4, M5, M6)
21	0131M00963	MOTOR 1/6H.P., 1SP, 8PL (M7)
21	0131M00964	MOTOR 1/6H.P., 1SP, 8PL (M1, M2, M3)
31	0163M00006P	ACORN NUT 5/16 HEX BLACK (QTY 4)
41	0152G00000	FAN GRILLE, RAISED
51	0161R00003P	CONDUIT
61	10625733	BLADE-FAN 22" ALUM CCW
71	0161L00000	RING VENTURI 22
81	0163M00004	SCREW #10X3/4", BLACK (QTY 2)
111	0130M00087	LOW PRESSURE SWITCH
121	20485201	FILTER/DRIER-BI-FLOW
131	0130M00280	HIGH PRESSURE SWITCH
141	0121L01620	SMALL SIDE RAIL (QTY 2)
151	0121L01621	SMALL END RAIL (QTY 2)
161	0121L01623	INDOOR BASEPAN
171	0121L03855	OUTDOOR BASEPAN
191	0121L02003	OD COIL BLOCKOFF
201	0201L00331	OD COIL ASSY
211	0202L00342	ASSY.,EVAP COIL TUBING
301	B1339533	COMPRESSOR GROMMET (QTY 4)
311	B1393740	COMP BOLT & SLEEVE (QTY 4)
321	ZP31K5ETFE130	COMP, 31100,575/60/3 (M7)
321	ZP31K5ETF5130	COMP, 31200,200/230/60/3 (M1, M2, M3)
321	ZP31K5ETFD130	COMP,31200,460/60/3 (M4, M5, M6)
331	0159L00065	HARNESS, COMP SCROLL
NS	0141L00003X	BOARD-FORK (QTY 2)
NS	0121L03727	BRACKET-FORK BOARD (QTY 4)
NS	0163M00005P	WASHER, BLACK (.50 OD .218ID) (QTY 4)

Expanded Model Nomenclature

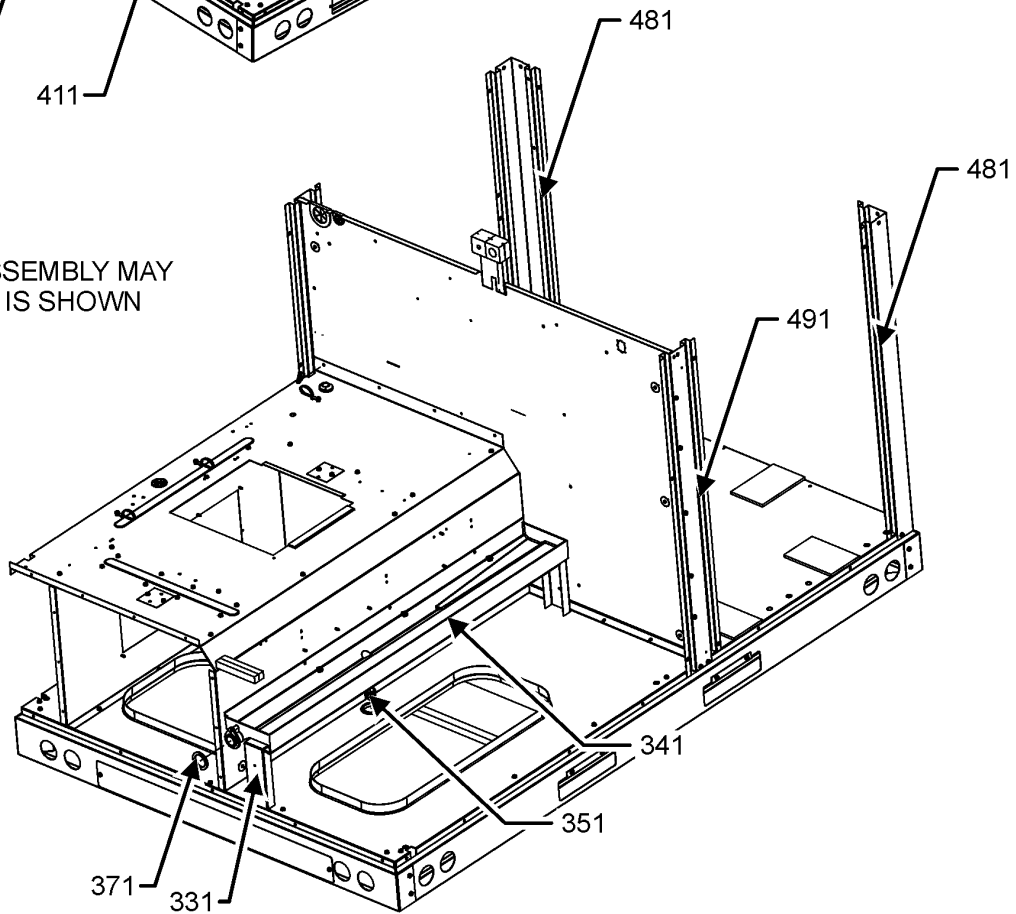
M1 - DBG0363CH00001FAA
M2 - DBG0363CL00001FAA
M3 - DBG0363CM00001FAA
M4 - DBG0364CH00001FAA
M5 - DBG0364CL00001FAA
M6 - DBG0364CM00001FAA
M7 - DBG0367CH00001FAA

PARTITION ASSEMBLY

PARTITION ASSEMBLY



NOTE: PARTITION ASSEMBLY MAY DIFFER FROM WHAT IS SHOWN



PARTITION ASSEMBLY

Ref. Part No: No:	Description:	Ref. Part No: No:	Description:
-------------------	--------------	-------------------	--------------

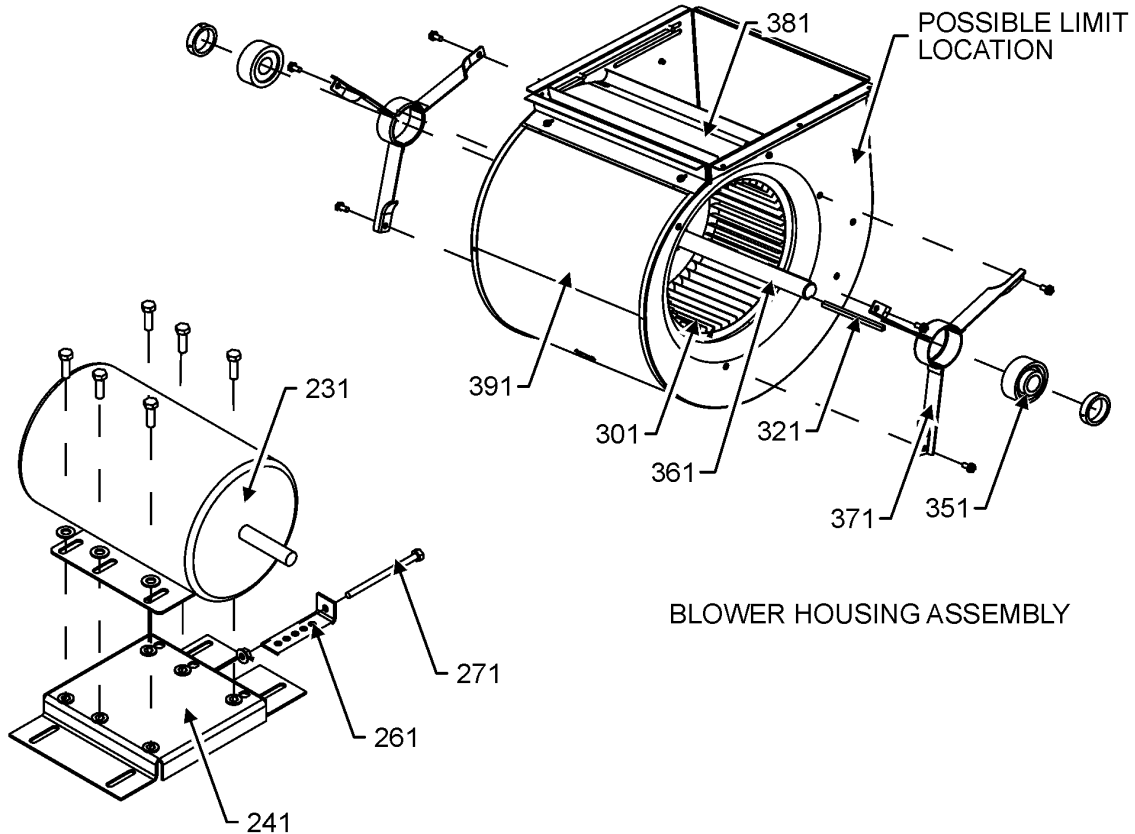
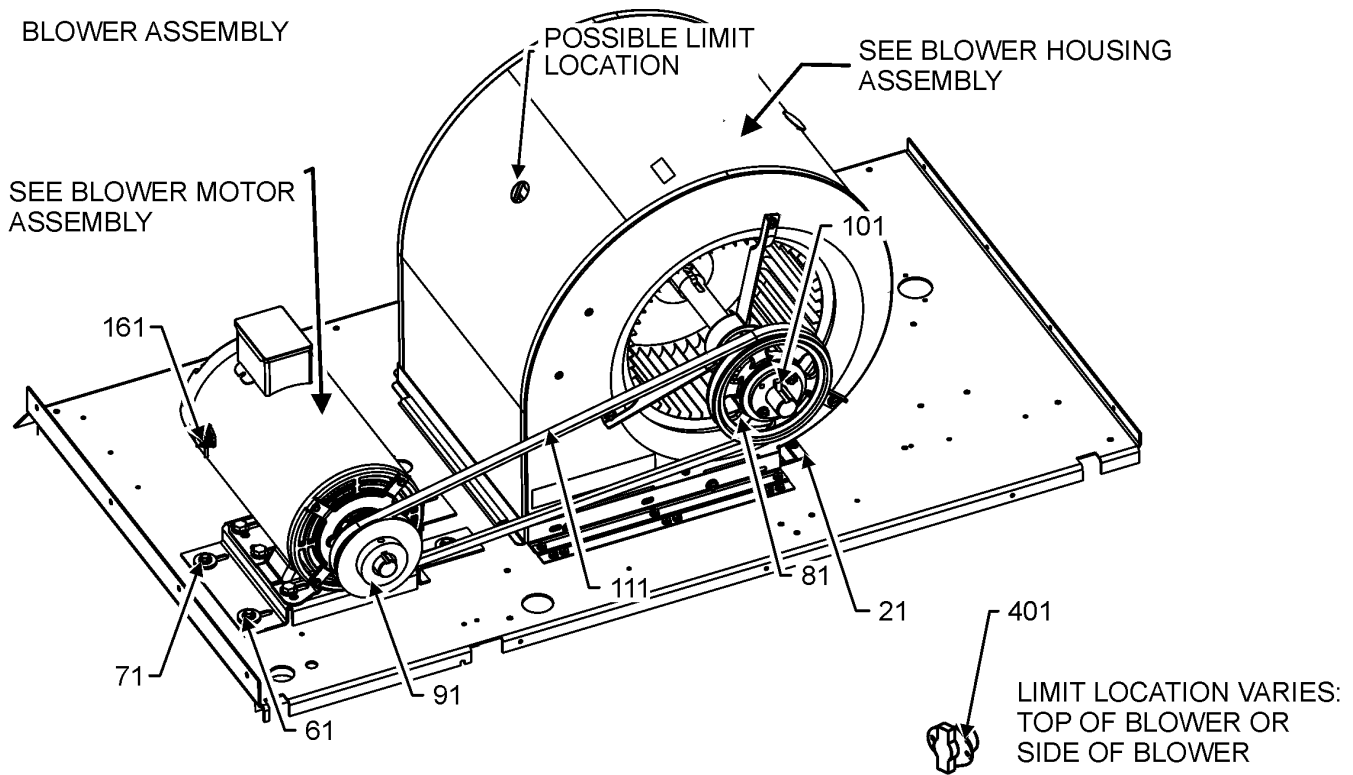
Image 1:

11	0121L02584	BLOWER DECK SIDE
21	0121L03869	BLOWER DECK
41	0121L00266	CHANNEL-HEAT PANEL (QTY 2)
61	0121L01709	BLOWER DECK PLATE
91	B1392147	UNIVERSIAL BUSHING WITH SLICE (QTY 2)
121	0121L00321	COVER-SMOKE DETECTOR (QTY 2)
331	0121L02985	DRAINPAN SUPPORT
341	0161L00007	DRAIN PAN, EVAPORATOR 3-5 TON
351	0163L00071	PLUG, DRAIN
371	0154L00180	GASKET, DRAIN PAN
401	0121L03442SB	PAINTED SIDE POST
411	0121L00300	POST-DECK SUPPORT
481	0121L01728SB	PAINTED CORNER POST (QTY 2)
491	0121L03442SB	PAINTED, SIDE POST
511	11112501	SWITCH-PRESSURE
521	0121L03320	BRACKET, TUBE SUPPORT
NS	0160L00137	AIR FILTER 20X25X2 (QTY 2)
NS	0121L00293	ANGLE-HEAT EXCHANGER BACK (QTY 2)
NS	0121L03125	BRACKET, TUBE (QTY 6)
NS	0121L02935	BRACKET, TUBE SUPPORT
NS	A4568804	GROMMET-D
NS	0164G00005	GROMMET-HORSESHOW 1.675
NS	0121L03127	HORIZONTAL SUPPORT (QTY 2)
NS	0121L01954	OD COIL BLOCKOFF ANGLE
NS	0121L03008	SIDE SUPPORT (QTY 2)

Expanded Model Nomenclature

- | |
|------------------------|
| M1 - DBG0363CH00001FAA |
| M2 - DBG0363CL00001FAA |
| M3 - DBG0363CM00001FAA |
| M4 - DBG0364CH00001FAA |
| M5 - DBG0364CL00001FAA |
| M6 - DBG0364CM00001FAA |
| M7 - DBG0367CH00001FAA |

BLOWER ASSEMBLY



BLOWER MOTOR ASSEMBLY

BLOWER ASSEMBLY

Ref. Part No:	No:	Description:	Ref. Part No:	No:	Description:
Image 1:					
21	0121L00297	ANGLE-BLOWER SLIDE			
61	B1393738	BOLT, 1/4-20X3/4 (QTY 5)			
71	B1392918	WASHER, FLAT 1/4IDX1OD (QTY 4)			
81	0163L00135	SHEAVE, FIXED AK66H			
91	0163L00061	VARIABLE PITCH SHEAVE1VM50X5/8			
101	0163M00407	MACHINE KEY, SPECIAL			
111	0164L00002	FAN BELT NOTCH HED, AX53			
161	B1393726	ELECT CONNECTING BUSHING			
231	0131L00003	MOTOR-1 HP BELT DRIVE (M1, M2, M3, M4, M5, M6)			
231	0131L00004	MOTOR-1.5 HP BELT DRIVE 575 (M7)			
241	0121L03915	MOTOR BASE			
261	3225000F	ANGLE, BELT TIGHTENER			
271	0163M00045	BOLT 1/4-20X4			
301	B1368056	BLOWER WHEEL			
321	B1398603	STEEL KEY 4.5"			
351	0163L00247	BEARING BALL, MOUNTED (QTY 2)			
361	0163L00005	SHAFT-BLOWER BELT DRIVE			
371	B3201300	MOUNTING BRACKET BEARING (QTY 2)			
381	1864703	BLOWER CUT-OFF ASM,5TON,MORRIS			
391	2539302F	BLWR SHL ASSM 11X10 1X10			
401	20162904	LIMIT-BROWN			
NS	0121L03918	ANGLE-BLOWER MOUNT			
NS	0121L02974	BLOWER SLIDE PLAE			
NS	0121L00050	BRACET-BLOWRE MTG			
NS	0163L00131	BUSHING 1"			
NS	B1446707	SCREW 5/16-18X1 (QTY 4)			
NS	B1392923	WASHER/FLAT (QTY 4)			

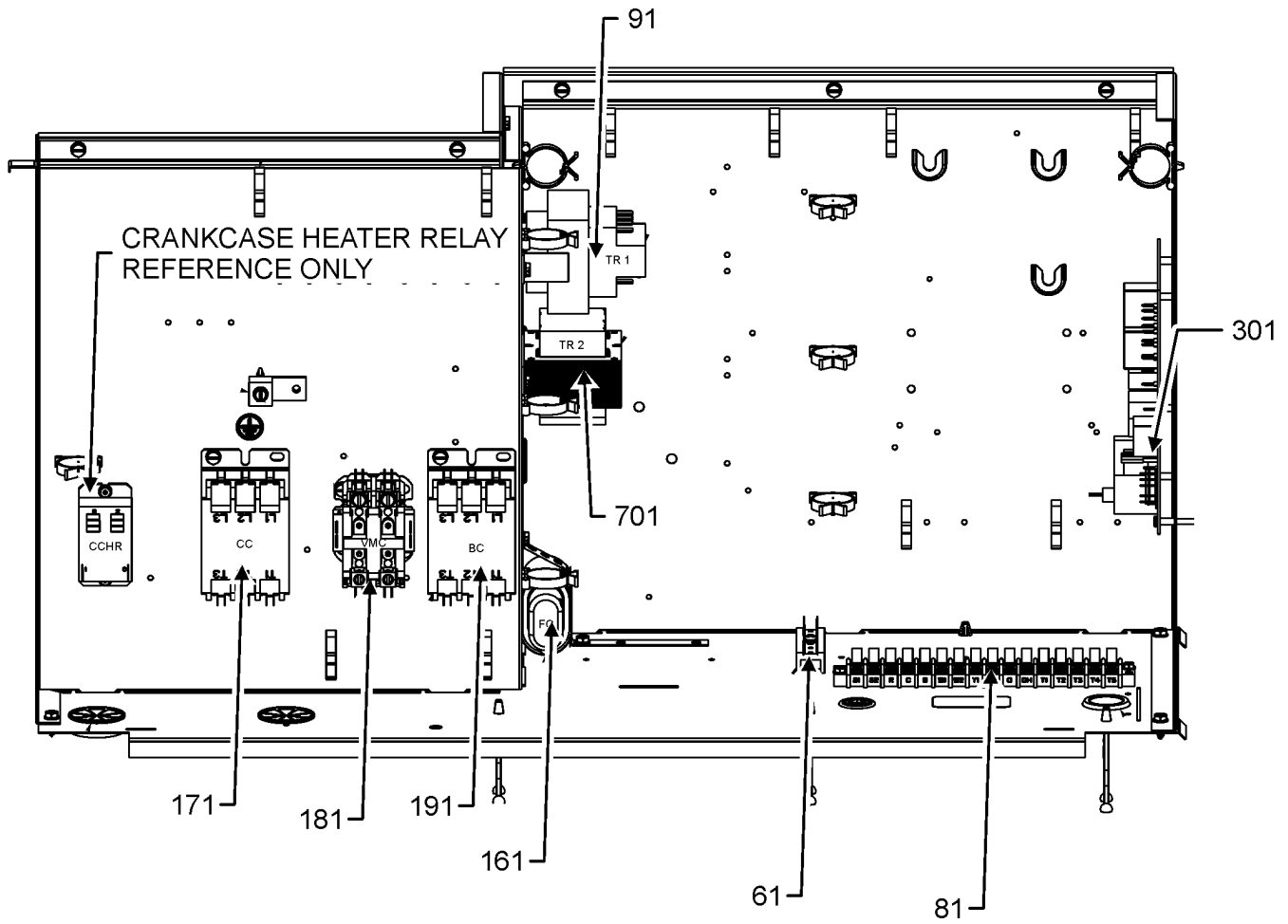
Expanded Model Nomenclature

M1 - DBG0363CH00001FAA
M2 - DBG0363CL00001FAA
M3 - DBG0363CM00001FAA
M4 - DBG0364CH00001FAA
M5 - DBG0364CL00001FAA
M6 - DBG0364CM00001FAA
M7 - DBG0367CH00001FAA

CONTROL BOX ASSEMBLY

CONTROL BOX ASSEMBLY

3 PHASE



CONTROL BOX ASSEMBLY

Ref. Part No:	Part No:	Description:	Ref. Part No:	Part No:	Description:
---------------	----------	--------------	---------------	----------	--------------

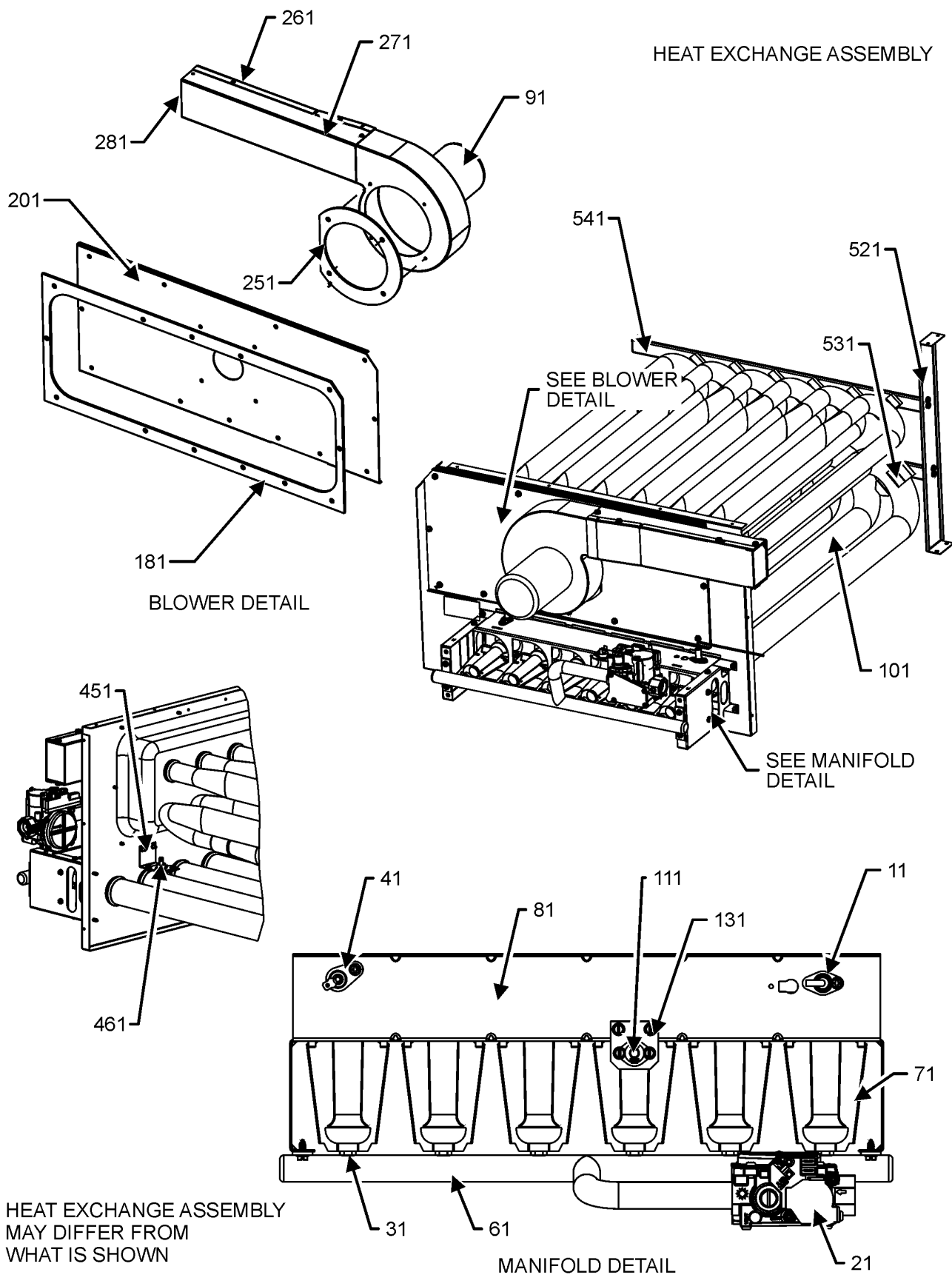
Image 1:

61	802007090	TERM BOARD			
81	0130M00038	TERMINAL BOARD			
91	0130M00598	TRANSFMR 75VA 575V TO 24V (M7)			
91	0130M00595	TRANSFORMER, 75VA, 480V TO 24V (M4, M5, M6)			
91	B1141654	TRANSFORMER,208-240,75VA,RESET (M1, M2,			
161	CAP050000370LA	CAP, 5 MFD/370V/OVAL (M1, M2, M3)			
161	CAP030000440LA	CAPACITOR (M7)			
161	CAP040000370VA	CAPACITOR (M4, M5, M6)			
171	CONT3P025024V	CONT 3 POLE 25 AMP 24 VAC			
181	CONT2P025024V	CONT 2 POLE 25 AMP 24 VAC			
191	CONT3P025024V	CONT 3 POLE 25 AMP 24 VAC			
301	PCBAG123	PCB IGNITION DSI INTEG			
701	0130M00596	TRANSFMR, 150 VA, 480V TO 23 (M4, M5, M6)			
NS	B821700	BOOT, CAPACITOR			
NS	20520901	STRAP-CAPACITOR			
NS	0259L00533	WIRE HARNESS			
NS	0259L00624	WIRE HARNESS			
NS	0259L00625	WIRE HARNESS			
NS	0259L00628	WIRE HARNESS			
NS	0259L00860	WIRE HARNESS			
NS	0259L01391	WIRE HARNESS			
NS	0259L01392	WIRE HARNESS			

Expanded Model Nomenclature

M1 - DBG0363CH00001FAA
M2 - DBG0363CL00001FAA
M3 - DBG0363CM00001FAA
M4 - DBG0364CH00001FAA
M5 - DBG0364CL00001FAA
M6 - DBG0364CM00001FAA
M7 - DBG0367CH00001FAA

HEAT EXCHANGE ASSEMBLY



HEAT EXCHANGE ASSEMBLY

Ref. Part No:	Part No:	Description:	Ref. Part No:	Part No:	Description:
---------------	----------	--------------	---------------	----------	--------------

Image 1:

11	20261709	IGNITOR
21	0151F00000P	GAS VALVE - WHITE-RODGERS 2-STAGE
31	0163F00018	ORIFICE, #43 DRILL, Green (M1, M3, M4, M6, M7)
31	10716005	ORIFICE, #45 DRILL (M2, M5)
41	0130F00010	FLAME SENSOR
61	0163L00143	MANIFOLD, GAS 3 BURNER (M3, M6)
61	0163L00027	MANIFOLD-GAS 2 BURNER (M2, M5)
61	0163L00029	MANIFOLD-GAS, 5 BURNER (M1, M4, M7)
71	0163F00017	BECKETT BURNER (QTY 5)
81	0121L01360	BRACKET, BURNER 2 (M2, M5)
81	0121L01362	BRACKET, BURNER 5 (M1, M4, M7)
81	0121L02668	BURNER BRACKET-3 (M3, M6)
91	0131M00121	BLOWER-ID COMBUSTION
101	0270L01364	ASSY, PANEL, PARTITION/TUBE, 2 (M2, M5)
101	0270L01363	ASSY, PANEL, PARTITION/TUBE, 3 (M3, M6)
101	0270L01361	ASSY, PANEL, PARTITION/TUBE, 5 (M1, M4, M7)
111	10123531	LIMIT-RESET MAN (M3, M6)
111	10123532	MANUAL RESET LIMIT 350°F (M1, M2, M4, M5, M7)
131	0121L00053	BRACKET-FLAME ROLLOUT
181	0154L00018	GASKET-ID BLOWER PLATE 2,4 (M2, M3, M5, M6)
181	0154L00017	GASKET-ID BLOWER PLATE 6 (M1, M4, M7)
201	0121L03548	PLATE, ID BLOWER (M3, M6)
201	0121L03549	PLATE, ID BLOWER (M1, M4, M7)
201	0121L03362	PLATE, ID BLOWER (M2, M5)
251	0154L00020	GASKET-ID BLOWER
261	0121L00277	FLUE-CHANNEL
271	0121L00278	FLUE-SIDE COVER
281	0163L00072	SCREEN-FLUE
451	0121L03670	BRACKET, PRIMARY LIMIT
461	0130M00660	LIMIT, PRIMARY (M1, M2, M4, M5, M7)
461	0130M00662	LIMIT, PRIMARY (M3, M6)
521	0121L03320	BRACKET, TUBE SUPPORT
531	0121L03125	BRACKET, TUBE (QTY 6)
541	0121L02935	BRACKET, SUPPORT, TUBE
NS	0121F00469	ORIFICE BRACKET-BURNER 2 (M2, M5)
NS	0121F00468	ORIFICE BRACKET-BURNER 3 (M3, M6)
NS	0121F00466	ORIFICE BRACKET-BURNER 5 (M1, M4, M7)

Expanded Model Nomenclature

M1 - DBG0363CH00001FAA
M2 - DBG0363CL00001FAA
M3 - DBG0363CM00001FAA
M4 - DBG0364CH00001FAA
M5 - DBG0364CL00001FAA
M6 - DBG0364CM00001FAA
M7 - DBG0367CH00001FAA

ACCESSORY PARTS LIST

NOTE: NOT ALL OPTIONS AVAILABLE FOR ALL PRODUCTS

FOR ACCESSORY PARTS SEE THE FOLLOWING PART MANUAL

RP-FIOPSC

Ref. Part

No: No:

Description:

Ref. Part

No: No:

Description:

Image 1:

NS RP-FIOPSC ACCESSORY RP MANUAL

Expanded Model Nomenclature

M1 - DBG0363CH00001FAA
M2 - DBG0363CL00001FAA
M3 - DBG0363CM00001FAA
M4 - DBG0364CH00001FAA
M5 - DBG0364CL00001FAA
M6 - DBG0364CM00001FAA
M7 - DBG0367CH00001FAA