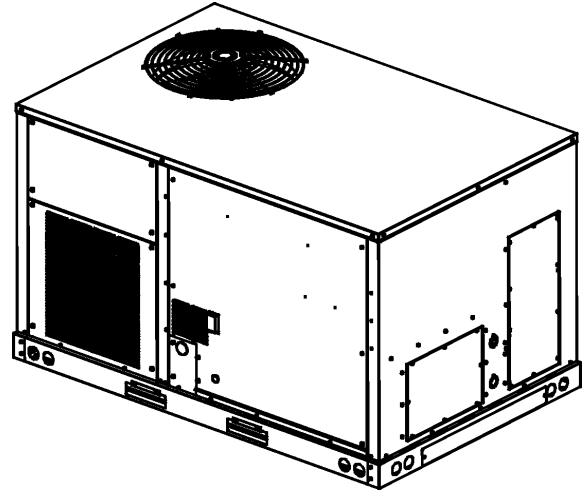


## Commercial 3 Ton (DBG) Package Gas Unit

DBG0361DH00001SAA  
DBG0361DL00001SAA  
DBG0363DH00001SAA  
DBG0363DL00001SAA



This manual is to be used by qualified technicians only.

# Important Information

---

## Index

Functional Parts List .....	3
Illustration and Parts .....	4 - 17

*Views shown are for parts illustrations only, not servicing procedures*

### Text Codes:

AR - As Required

NA - Not Available

NS - Not Shown

00000000 - See Note

QTY - Quantity Example (QTY 3) (If Quantity not shown, Quantity = 1)

M - Model Example (M1) (If M Code not shown, then part is used on all Models)

### Expanded Model Nomenclature:

Example M1 - Model#1 M2 - Model#2 M3 - Model#3
---

Daikin Company, L.P. is not responsible for personal injury or property damage resulting from improper service. Review all service information before beginning repairs.

Warranty service must be performed by an authorized technician, using authorized factory parts. If service is required after the warranty expires, Daikin Company, L.P. also recommends contacting an authorized technician and using authorized factory parts.

Daikin Company, L.P. reserves the right to discontinue, or change at any time, specifications or designs without notice or without incurring obligations.

For assistance within the U.S.A. contact:

Equipment Support  
Daikin North America, LLC  
19001 Kermier Road  
Waller, Texas 77484  
855-770-5678-Telephone  
713-863-2382-Facsimile

For assistance outside the U.S.A. contact:

International Division  
Daikin North America, LLC  
19001 Kermier Road  
Waller, Texas 77484  
713-861-2500-Telephone  
713-863-2382-Facsimile

# Functional Parts

## Part

## No: Description:

---

0163F00017	BECKETT BURNER (QTY 5)
10625733	BLADE-FAN 22" ALUM CCW
CAP050000370LA	CAP 5 MFD/370V/OVAL (M3, M4)
CAP050450370RS	CAP, 5/45 MFD/370V/DUAL RD (M1, M2)
ZP31K5ETF5130	COMP, 31200,200/230/60/3 (M3, M4)
ZP31K5EPFV130	COMP,31100,208/230/60/1 (M1, M2)
CONT2P025024V	CONT, 2 POLE, 25 AMP, 24 VAC (QTY 2)
CONT2P040024V	CONT, 2 POLE, 40 AMP, 24 VAC (M1, M2)
CONT3P030024V	CONT, 3 POLE, 30 AMP, 24 VAC (M3, M4)
0130F00010	FLAME SENSOR
0151F00000P	GAS VALVE - WHITE-RODGERS 2-STAGE
0130M00280	HIGH PRESSURE SWITCH
20261709	IGNITOR
0130F00123	LIMIT, RESET MAN (M2, M4)
20162904	LIMIT-BROWN
0130F00067	LIMIT-RED
0130M00087	LOW PRESSURE SWITCH
10123532	MANUAL RESET LIMIT 350°F (M1, M3)
0131M00880	MOTOR 1/6 HP, 1SP, 8PL
PCBAG123	PCB, IGNITION, DSI, INTEG
0131L00223	PROGRAM MOTOR (M1, M3)
0131L00169	PROGRAM, MOTOR (M2, M4)
11112501	SWITCH-PRESSURE
0130M00038	TERMINAL BOARD
B1141654	TRANSFORMER 208-240 75VA RESET

### SPECIAL PARTS

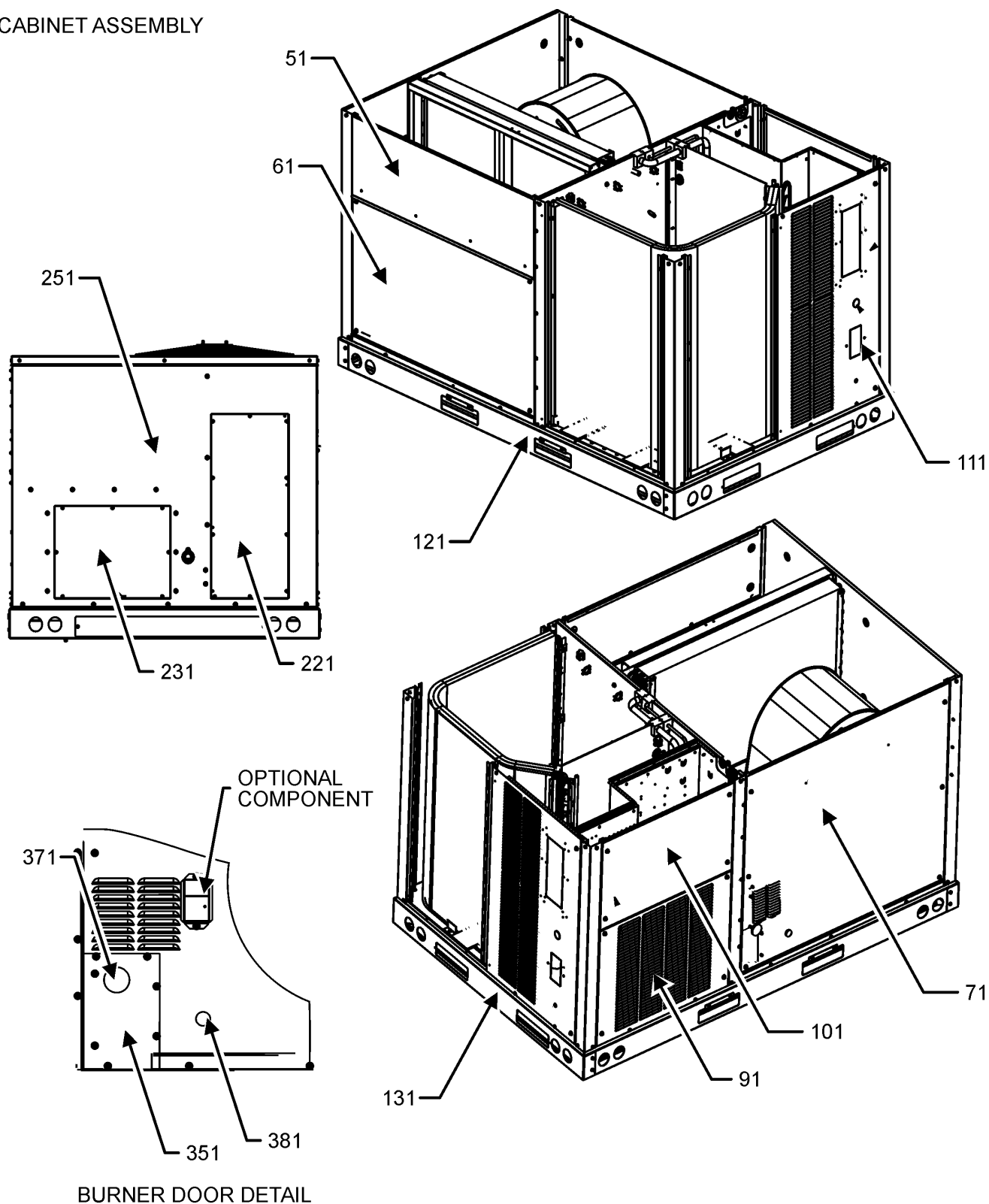
RP-FIOPSC\* ACCESSORY PART MANUAL

### Expanded Model Nomenclature

M1 - DBG0361DH00001SAA
M2 - DBG0361DL00001SAA
M3 - DBG0363DH00001SAA
M4 - DBG0363DL00001SAA

# CABINET ASSEMBLY

CABINET ASSEMBLY



NOTE: CABINET ASSEMBLY MAY DIFFER FROM WHAT IS SHOWN

# CABINET ASSEMBLY

Ref. Part No:	No:	Description:	Ref. Part No:	No:	Description:
---------------	-----	--------------	---------------	-----	--------------

---

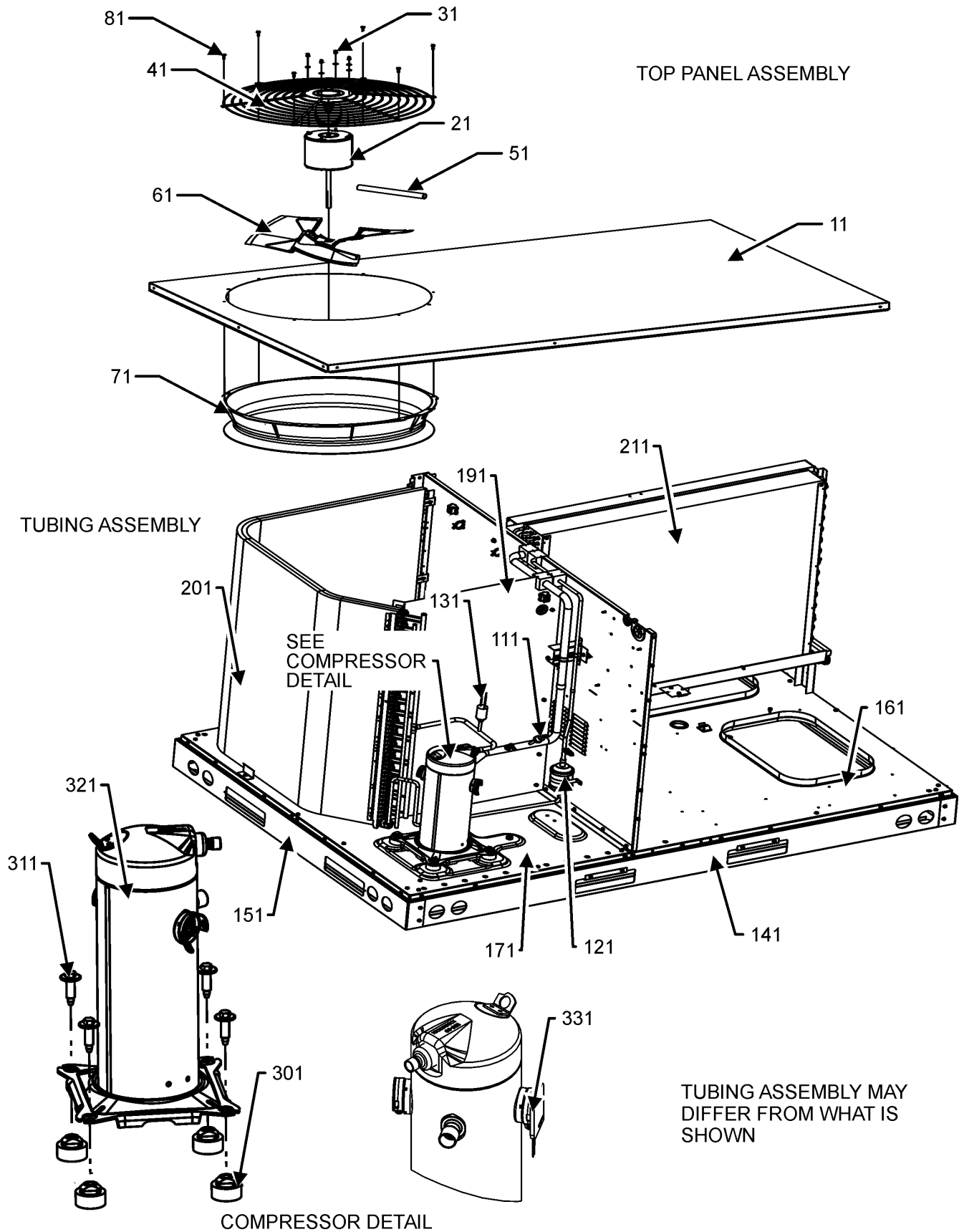
**Image 1:**

51	0121L01734SB	PAINTED FILTER PANEL
61	0121L01651SB	PAINTED ECONOMIZER PANEL
71	0121L03626SB	PAINTED PANEL GAS BLOWER
91	0121L02263SB	PAINTED COMPRESSOR PANEL
101	0121L02262SB	PAINTED CONTROL BOX PANEL
111	0121L03642SB	COMPRESSOR BACK PANEL
121	0121L01620	SIDE RAIL (QTY 2)
131	0121L01621	END RAIL (QTY 2)
221	0121L02910SB	PAINTED COVER-DUCT RETURN
231	0121L02911SB	PAINTED COVER-DUCT SUPPLY
251	0121L02996SB	PAINTED BACK PANEL
351	0121L03443SB	PAINTED, GAS INLET PANEL
371	B1910010	GROMMET, GAS LINE
381	B1392139	VIEW PORT BUSHING, CLEAR 1.0
NS	0121L03322	HEAT EXCHNAGER FLASHING

**Expanded Model Nomenclature**

M1 - DBG0361DH00001SAA
M2 - DBG0361DL00001SAA
M3 - DBG0363DH00001SAA
M4 - DBG0363DL00001SAA

# TOP PANEL & TUBING ASSEMBLY



# TOP PANEL & TUBING ASSEMBLY

Ref. Part No: No:	Description:	Ref. Part No: No:	Description:
-------------------	--------------	-------------------	--------------

**Image 1:**

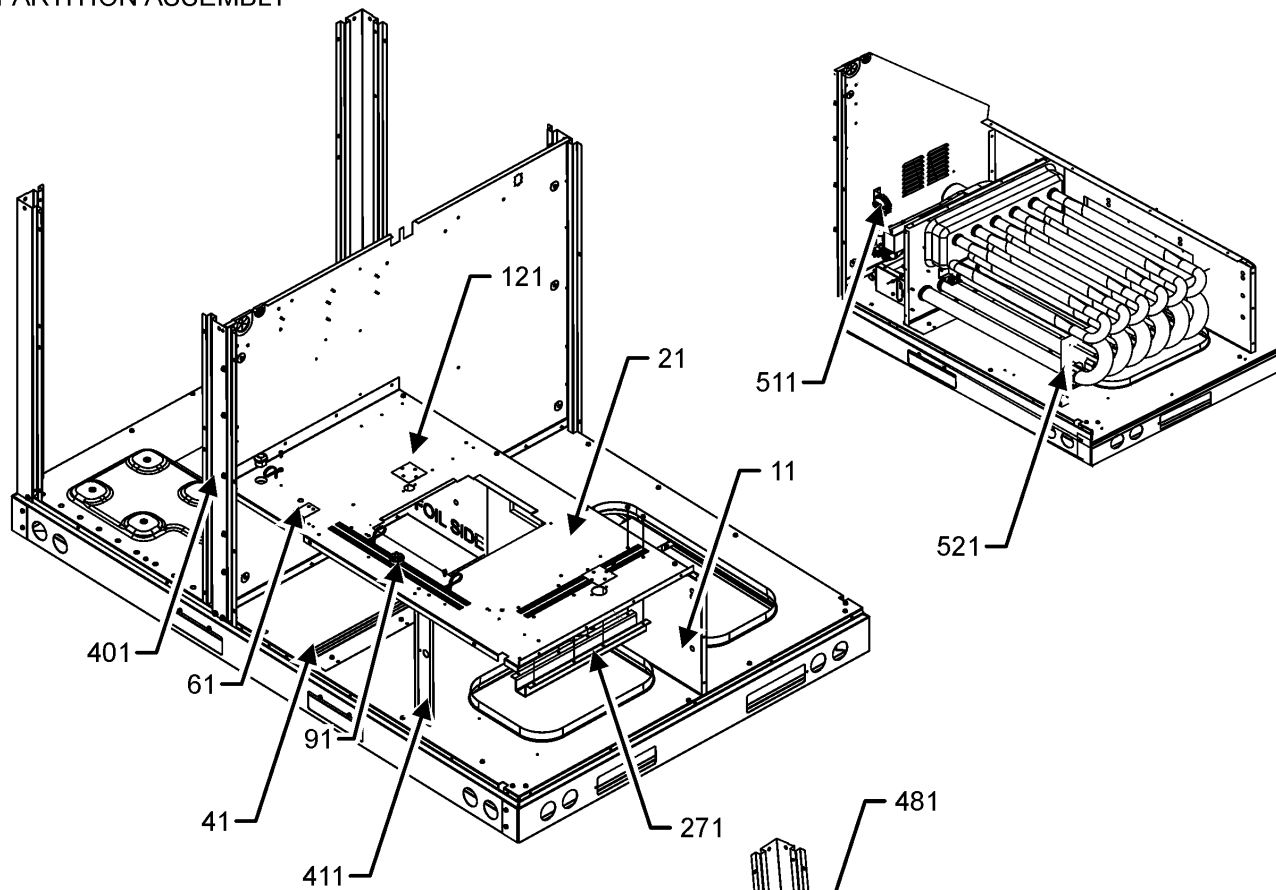
11	0121L01626SB	PAINTED, TOP PANEL
21	0131M00880	MOTOR 1/6 HP, 1SP, 8PL
31	0163M00006P	ACORN NUT 5/16 HEX BLACK (QTY 4)
41	0152G00000	FAN GRILLE, RAISED
51	0161R00003P	CONDUIT
61	10625733	BLADE-FAN 22" ALUM CCW
71	0161L00000	RING VENTURI 22
81	0163M00004	SCREW #10X3/4", BLACK (QTY 2)
111	0130M00087	LOW PRESSURE SWITCH
121	20485201	FILTER/DRIER-BI-FLOW
131	0130M00280	HIGH PRESSURE SWITCH
141	0121L01620	SMALL SIDE RAIL (QTY 2)
151	0121L01621	SMALL END RAIL (QTY 2)
161	0121L01623	INDOOR BASEPAN
171	0121L01622	OUTDOOR BASEPAN
191	0121L02003	OD COIL BLOCKOFF
201	0201L00331	OD COIL ASSY
211	0202L00342	EVAP COIL ASSY
301	B1339533	COMPRESSOR GROMMET (QTY 4)
311	0163L00183	COMP. BOLT & SLEEVE (QTY 4)
321	ZP31K5ETF5130	COMP, 31200,200/230/60/3 (M3, M4)
321	ZP31K5EPFV130	COMP,31100,208/230/60/1 (M1, M2)
331	0159L00065	HARNESS, COMP SCROLL (M3, M4)
331	0159L00027	HARNESS-COMP SCROLL (M1, M2)
NS	0141L00003X	BOARD-FORK (QTY 2)
NS	0121L03516	PNL, BRACKET, FORK BOARD (QTY 4)
NS	0163M00005P	WASHER, BLACK (.50 OD .218ID) (QTY 4)

**Expanded Model Nomenclature**

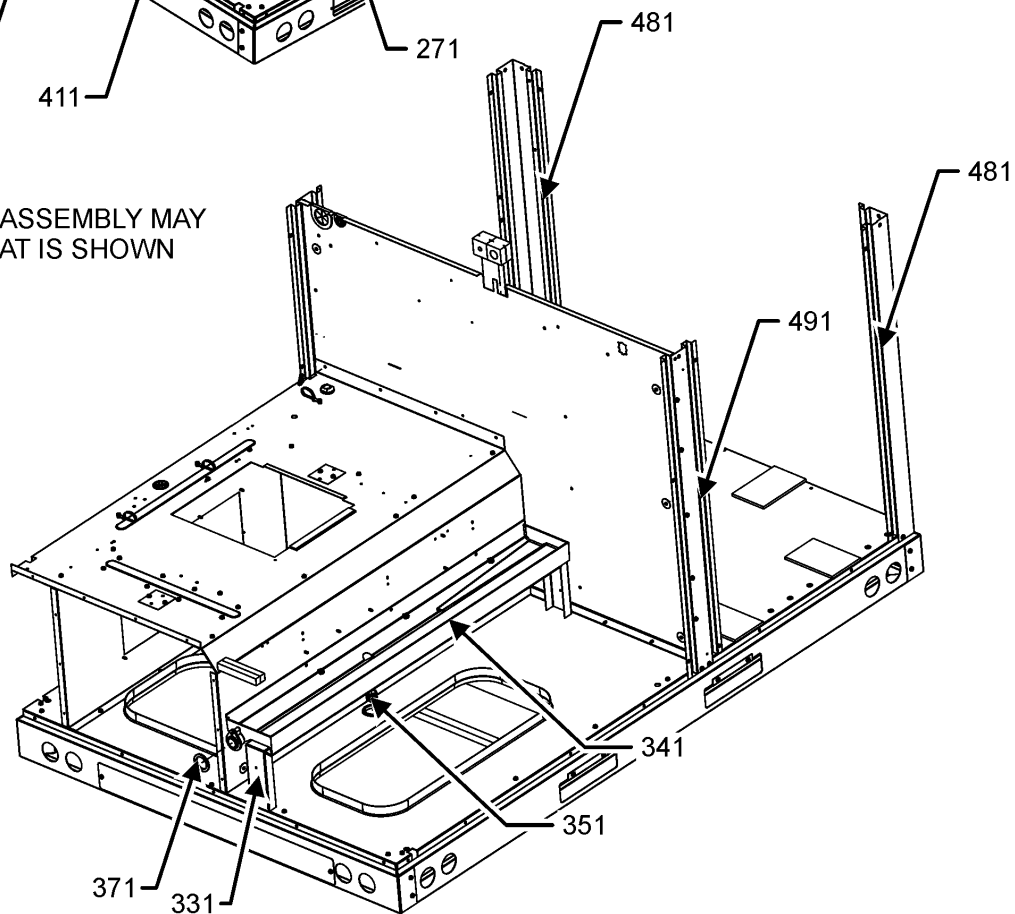
M1 - DBG0361DH00001SAA
M2 - DBG0361DL00001SAA
M3 - DBG0363DH00001SAA
M4 - DBG0363DL00001SAA

# PARTITION ASSEMBLY

## PARTITION ASSEMBLY



NOTE: PARTITION ASSEMBLY MAY DIFFER FROM WHAT IS SHOWN



# PARTITION ASSEMBLY

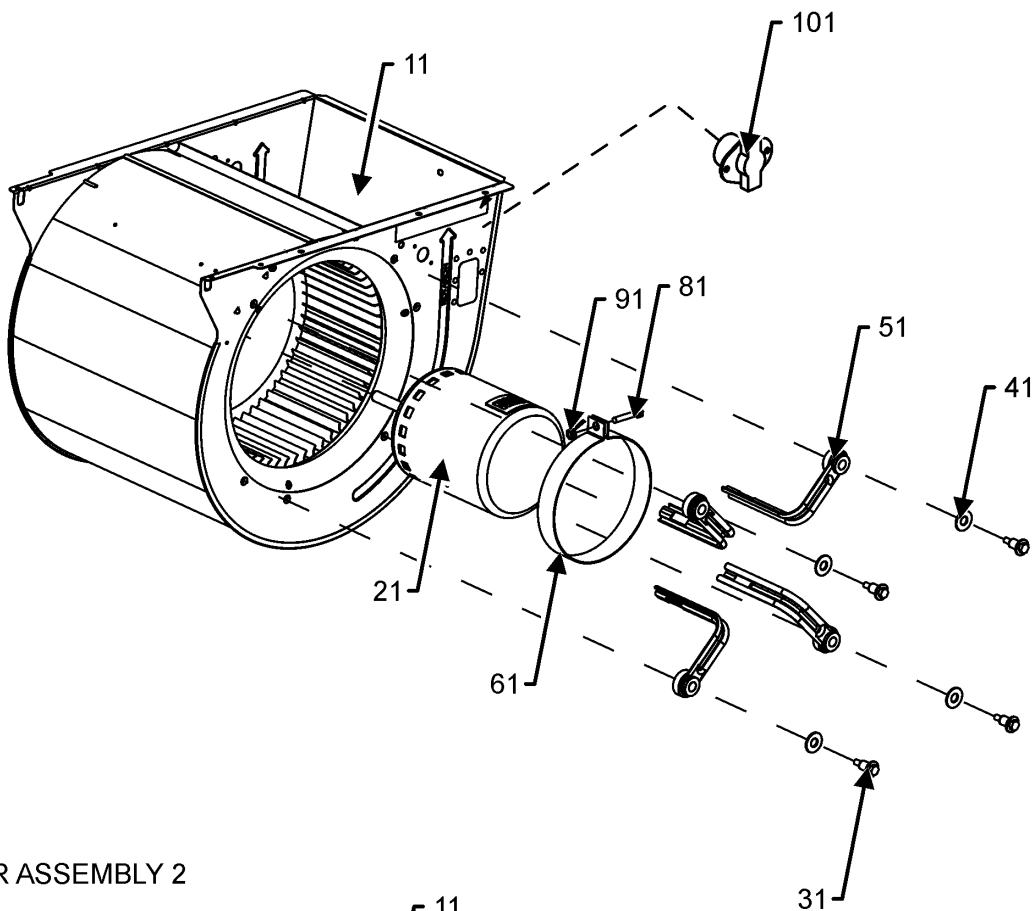
Ref. Part No:	No:	Description:	Ref. Part No:	No:	Description:
<b>Image 1:</b>					
11	0121L02584	BLOWER DECK SIDE			
21	0121L03316	BLOWER DECK PANEL			
41	0121L00266	CHANNEL-HEAT PANEL (QTY 2)			
61	0121L01709	BLOWER DECK PLATE			
91	B1392147	UNIVERSIAL BUSHING WITH SLICE (QTY 2)			
121	0121L00321	COVER-SMOKE DETECTOR (QTY 2)			
271	0121L02633	BLOWER DECK U-BRACKET			
331	0121L02985	DRAINPAN SUPPORT			
341	0161L00007	DRAIN PAN, EVAPORATOR 3-5 TON			
351	0163L00071	PLUG, DRAIN			
371	0154L00180	GASKET, DRAIN PAN			
401	0121L03442SB	PAINTED SIDE POST			
411	0121L00300	POST-DECK SUPPORT			
481	0121L01728SB	PAINTED CORNER POST (QTY 2)			
491	0121L02697SB	PAINTED SIDE POST (M1, M2)			
491	0121L03054SB	PANITED SIDE POST (M3, M4)			
511	11112501	SWITCH-PRESSURE			
521	0121L03320	BRACKET, TUBE SUPPORT			
NS	0160L00137	AIR FILTER 20X25X2 (QTY 2)			
NS	0121L00293	ANGLE-HEAT EXCHANGER BACK (QTY 2)			
NS	0121L03125	BRACKET, TUBE (QTY 6)			
NS	0121L02935	BRACKET, TUBE SUPPORT			
NS	A4568804	GROMMET-D			
NS	0164G00005	GROMMET-HORSESHOW 1.675			
NS	0121L03127	HORIZONTAL SUPPORT (QTY 2)			
NS	0121L01954	OD COIL BLOCKOFF ANGLE			
NS	0121L03008	SIDE SUPPORT (QTY 2)			

## Expanded Model Nomenclature

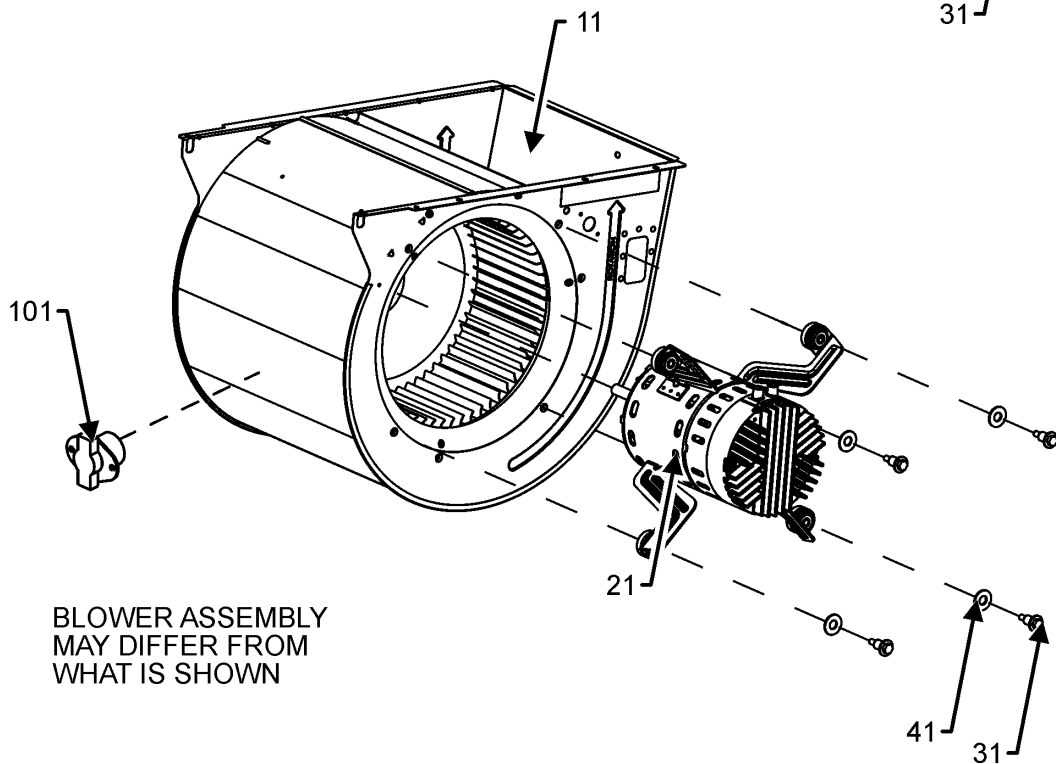
M1 - DBG0361DH00001SAA
M2 - DBG0361DL00001SAA
M3 - DBG0363DH00001SAA
M4 - DBG0363DL00001SAA

# BLOWER ASSEMBLY

## BLOWER ASSEMBLY 1



## BLOWER ASSEMBLY 2



BLOWER ASSEMBLY  
MAY DIFFER FROM  
WHAT IS SHOWN

# BLOWER ASSEMBLY

Ref. Part No:	No:	Description:	Ref. Part No:	No:	Description:
---------------	-----	--------------	---------------	-----	--------------

---

**Image 1:**

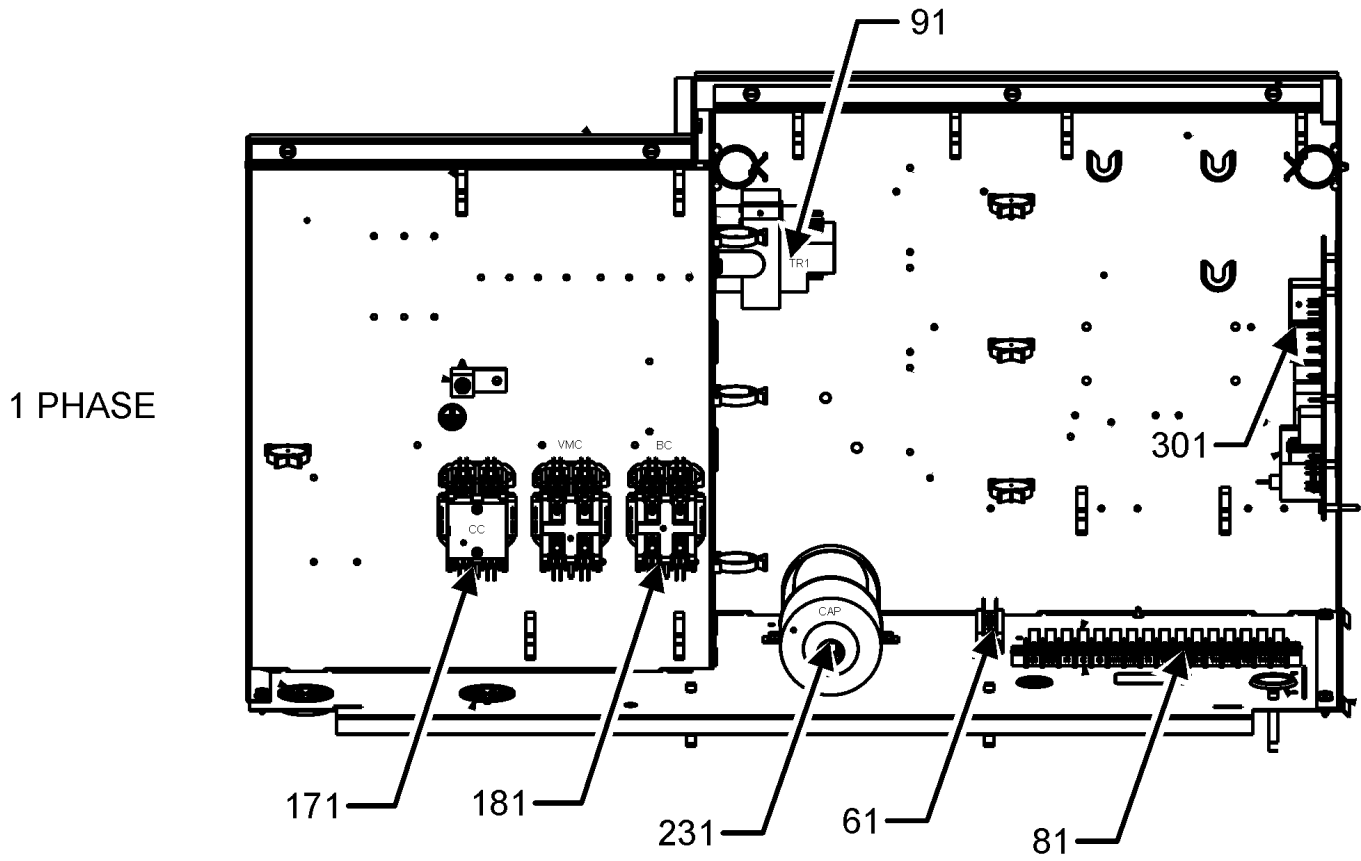
11	027100054	ASSY, BLOWER HOUSING
21	0131L00223	PROGRAM MOTOR (M1, M3)
21	0131L00169	PROGRAM, MOTOR (M2, M4)
31	M0250565	SCREW-TC 1.25" (QTY 4)
41	B1392918	WASHER, FLAT 1/4 ID X 1 OD (QTY 4)
51	0163A00008	MOTOR MOUNTING ARM (QTY 4)
61	10441601	BAND-MTR MOUNT
81	M0267144	SCREW-MACH
91	M0282015	NUT-KEPS
101	20162904	LIMIT-BROWN

**Expanded Model Nomenclature**

M1 - DBG0361DH00001SAA
M2 - DBG0361DL00001SAA
M3 - DBG0363DH00001SAA
M4 - DBG0363DL00001SAA

# CONTROL BOX ASSEMBLY

## CONTROL BOX ASSEMBLY



# CONTROL BOX ASSEMBLY

Ref. Part No:	No:	Description:	Ref. Part No:	No:	Description:
---------------	-----	--------------	---------------	-----	--------------

---

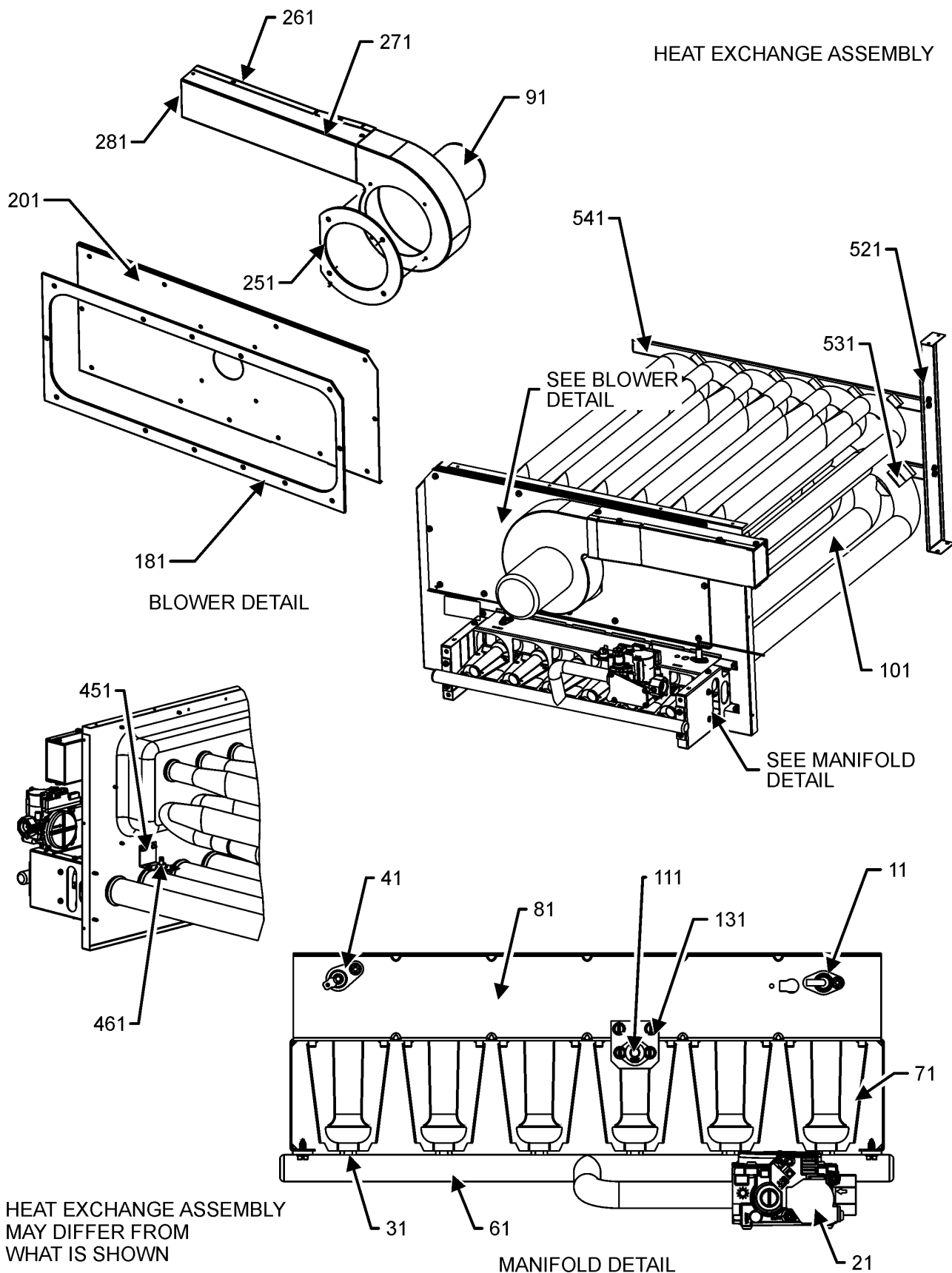
## Image 1:

61	802007090	TERM BOARD
81	0130M00038	TERMINAL BOARD
91	B1141654	TRANSFORMER 208-240 75VA RESET
171	CONT2P040024V	CONT, 2 POLE, 40 AMP, 24 VAC (M1, M2)
171	CONT3P030024V	CONT, 3 POLE, 30 AMP, 24 VAC (M3, M4)
181	CONT2P025024V	CONT, 2 POLE, 25 AMP, 24 VAC (QTY 2)
231	CAP050000370LA	CAP 5 MFD/370V/OVAL (M3, M4)
231	CAP050450370RS	CAP, 5/45 MFD/370V/DUAL RD (M1, M2)
301	PCBAG123	PCB, IGNITION, DSI, INTEG
NS	B821700	BOOT, CAPACITOR (M3, M4)
NS	0164M00079	BOOT-CAPACITOR, ROUND (M1, M2)
NS	0130M00507	MOTOR POWER HARNESS
NS	20520901	STRAP-CAPACITOR
NS	0259L00533	WIRE HARNESS ASSY
NS	0259L00628	WIRE HARNESS ASSY
NS	0259L00860	WIRE HARNESS ASSY
NS	0130M00506	X-13 LOW VOLTAGE WIRE HARNESS

## Expanded Model Nomenclature

M1 - DBG0361DH00001SAA
M2 - DBG0361DL00001SAA
M3 - DBG0363DH00001SAA
M4 - DBG0363DL00001SAA

# HEAT EXCHANGE ASSEMBLY



# HEAT EXCHANGE ASSEMBLY

Ref. Part No:	Part No:	Description:	Ref. Part No:	Part No:	Description:
---------------	----------	--------------	---------------	----------	--------------

**Image 1:**

11	20261709	IGNITOR			
21	0151F00000P	GAS VALVE - WHITE-RODGERS 2-STAGE			
31	0163F00018	ORIFICE (M2, M4)			
31	10716005	ORIFICE, #45 DRILL (M1, M3)			
41	0130F00010	FLAME SENSOR			
61	0163L00027	MANIFOLD-GAS 2 BURNER (M2, M4)			
61	0163L00029	MANIFOLD-GAS, 5 BURNER (M1, M3)			
71	0163F00017	BECKETT BURNER (QTY 5)			
81	0121L01360	BRACKET, BURNER 2 (M2, M4)			
81	0121L01362	BRACKET, BURNER 5 (M1, M3)			
91	0131M00121	BLOWER-ID COMBUSTION			
101	0270L01364	ASSY, PANEL, PARTITION/TUBE, 2 (M2, M4)			
101	0270L01361	ASSY, PANEL, PARTITION/TUBE, 5 (M1, M3)			
111	0130F00123	LIMIT, RESET MAN (M2, M4)			
111	10123532	MANUAL RESET LIMIT 350°F (M1, M3)			
131	0121L00053	BRACKET-FLAME ROLLOUT			
181	0154L00018	GASKET-ID BLOWER PLATE 2,4 (M2, M4)			
181	0154L00017	GASKET-ID BLOWER PLATE 6 (M1, M3)			
201	0121L03663	PLATE, ID BLOWER (M1, M3)			
201	0121L03362	PLATE, ID BLOWER (M2, M4)			
251	0154L00020	GASKET-ID BLOWER			
261	0121L00277	FLUE-CHANNEL			
271	0121L00278	FLUE-SIDE COVER			
281	0163L00072	SCREEN-FLUE			
451	0121L02858	BRACKET, LIMIT PRIMARY			
461	0130F00067	LIMIT-RED			
521	0121L03320	BRACKET, TUBE SUPPORT			
531	0121L03125	BRACKET, TUBE (QTY 6)			
541	0121L02935	BRACKET, SUPPORT, TUBE			

**Expanded Model Nomenclature**

M1 - DBG0361DH00001SAA
M2 - DBG0361DL00001SAA
M3 - DBG0363DH00001SAA
M4 - DBG0363DL00001SAA

# ACCESSORY PARTS LIST

NOTE: NOT ALL OPTIONS AVAILABLE FOR ALL PRODUCTS

FOR ACCESSORY PARTS SEE THE FOLLOWING PART MANUAL

## RP-FIOPSC

**Ref. Part**

**No: No:**

**Description:**

**Ref. Part**

**No: No:**

**Description:**

---

**Image 1:**

NS RP-FIOPSC\* ACCESSORY PART MANUAL

**Expanded Model Nomenclature**

M1 - DBG0361DH00001SAA

M2 - DBG0361DL00001SAA

M3 - DBG0363DH00001SAA

M4 - DBG0363DL00001SAA