

## Commercial 25 Ton DDC Control 2-Speed Package Cooling Units

DBC3003VDDCAA  
DBC3004VDDCAA  
DBC3007VDDCAA



This manual is to be used by qualified technicians only.

# Important Information

---

## Index

Functional Parts List .....	3
Illustration and Parts .....	4 - 19

*Views shown are for parts illustrations only, not servicing procedures*

### Text Codes:

AR - As Required

NA - Not Available

NS - Not Shown

00000000 - See Note

QTY - Quantity Example (QTY 3) (If Quantity not shown, Quantity = 1)

M - Model Example (M1) (If M Code not shown, then part is used on all Models)

### Expanded Model Nomenclature:

Example M1 - Model#1 M2 - Model#2 M3 - Model#3
---

Daikin Company, L.P. is not responsible for personal injury or property damage resulting from improper service. Review all service information before beginning repairs.

Warranty service must be performed by an authorized technician, using authorized factory parts. If service is required after the warranty expires, Daikin Company, L.P. also recommends contacting an authorized technician and using authorized factory parts.

Daikin Company, L.P. reserves the right to discontinue, or change at any time, specifications or designs without notice or without incurring obligations.

For assistance within the U.S.A. contact:

Equipment Support  
Daikin North America, LLC  
19001 Kermier Road  
Waller, Texas 77484  
855-770-5678-Telephone  
713-863-2382-Facsimile

For assistance outside the U.S.A. contact:

International Division  
Daikin North America, LLC  
19001 Kermier Road  
Waller, Texas 77484  
713-861-2500-Telephone  
713-863-2382-Facsimile

# Functional Parts

## Part

## No: Description:

---

0130M00249	AUXILLARY SWITCH (QTY 2)
ZP137KCETFD155	Comp, 135,000, 460/60/3 (M2)
ZP137KCETFE155	Comp, 136,000, 575/60/3 (M3)
ZP137KCETF5250	COMP, 137,000, 200/230/60/3 (M1)
CONT3P030024V	CONT 3 POLE 30 AMP 24 VAC (QTY 4)
CONT3P050024V	CONT, 3 POLE, 50 AMP, 24 VAC (M1)
0130L00020	CRANK CASE HEATER, 90W, 240V (M1)
0130L00021	CRANK CASE HEATER, 90W, 480V (M2)
0130L00022	CRANK CASE HEATER, 90W, 575V (M3)
0130M00579	DDC CONTROLLER 39IO
0130L00228	DUCT TEMP SENSOR
0164L00013	FAN BELT-NOTCHED
0130L00102	FUSE J CLASS (QTY 3)
0130L00101	FUSE J CLASS (QTY 3)
0130M00074	HIGH PRESSURE SWITCH (QTY 2)
0130M00087	LOW PRESSURE SWITCH (QTY 2)
0131L00032	MOTOR, 7.5 HP BELT DRIVE 230V (M1)
0131L00033	MOTOR, 7.5 HP BELT DRIVE 460V (M2)
0131L00034	MOTOR, 7.5 HP BELT DRIVE 575V (M3)
0130L00227	OUTDOOR AIR TEMP SENSOR
0130L00252	PROGRAM APP CONTROLLER DDC
10135604	RELAY
0130M00264	RELAY THERMISTOR
0130M00263	RELAY THERMISTOR (QTY 2)
0130L00226	SPACE TEMPERATURE SENSOR
0130M00598	TRANSFMR, 75VA, 575V TO 24V (M3)
0130L00205	TRANSFORMER (M1)
0130L00206	TRANSFORMER (M2)
0130L00207	TRANSFORMER (M3)
0130M00594	TRANSFORMER (M1)
0130M00595	TRANSFORMER, 75VA, 480V TO 24V (M2)
0210L00470	TXV WELDMENT (QTY 2)

### SPECIAL PARTS

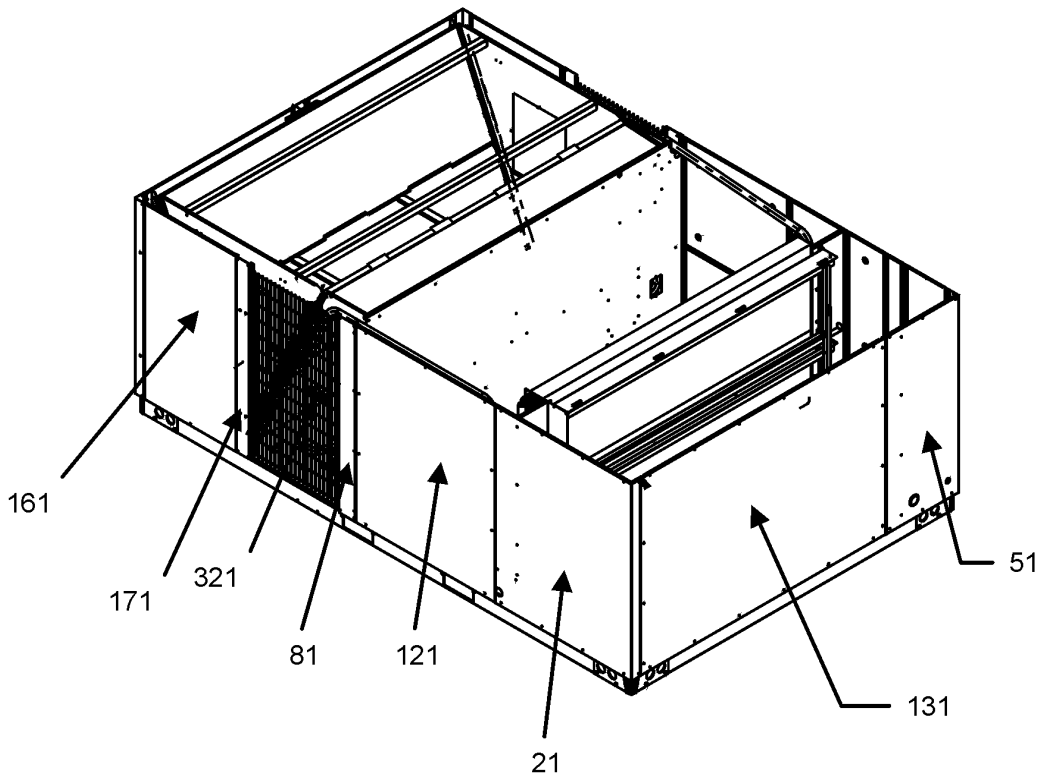
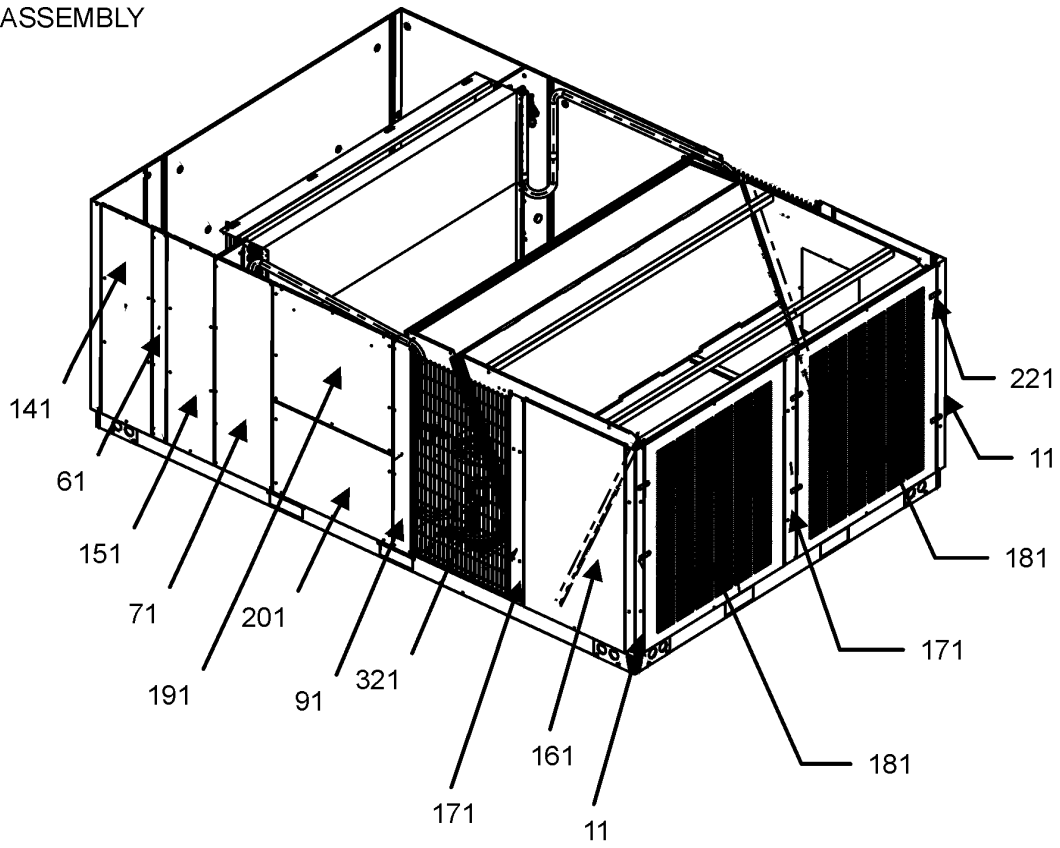
RP-FIOPLC*	ACCESSORY PART MANUAL
BDG-ILINQA	DAIKIN ILINQ BACNET DES GUIDE
QSG-ILINQA	DAIKIN ILINQ QUICK START GUIDE
UM-ILINQA	DAIKIN ILINQ USER MANUAL
RP-EHSBLC*	HEATER KIT MANUAL
RP-EHSDLC*	HEATER KIT MANUAL
RP-EHXBLC*	HEATER KIT MANUAL
RP-EHXDLC*	HEATER KIT MANUAL

### Expanded Model Nomenclature

M1 - DBC3003VDDCAA
M2 - DBC3004VDDCAA
M3 - DBC3007VDDCAA

# Cabinet Assembly

## CABINET ASSEMBLY



# Cabinet Assembly

Ref. Part No:	No:	Description:	Ref. Part No:	No:	Description:
---------------	-----	--------------	---------------	-----	--------------

---

**Image 1:**

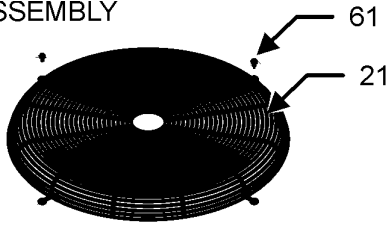
11	0121L01143SB	CORNER POST (QTY 2)
21	0121L00681SB	EVAPORATOR PANEL
51	0121L00679SB	CONTROL CORNER PANEL
61	0121L02048SB	POST-CONTROL /FILTER
71	0121L00710SB	BLOWER DOOR POST
81	0121L00903SB	PARTITION POST, EVAP SIDE
91	0121L00906SB	PARTITION POST, (COOL) HT
121	0121L00685SB	BLOWER DOOR, EVAP SIDE
131	0121L00688SB	ACCESSORY PANEL
141	0121L00687SB	CONTROL DOOR
151	0121L00686SB	FILTER DOOR
161	0121L00907SB	CONDENSER SIDE PANEL (QTY 2)
171	0121L01144SB	CONDENSER PANEL POST (QTY 3)
181	0121L01174SB	LOUVER PANEL (QTY 2)
191	0121L00713SB	BLOWER DOOR , GAS
201	0121L00708SB	ELECTRIC HEAT DOOR
221	0121L00476SB	DOOR TURNBUCKLE (QTY 16)
321	0152L00000	GRILLE-CONDENSER (QTY 2)
NS	0164G00004	GROMMET-HORSESHOE 1.75 (QTY 2)
NS	M0204317	SCREW-MACH (QTY 16)

**Expanded Model Nomenclature**

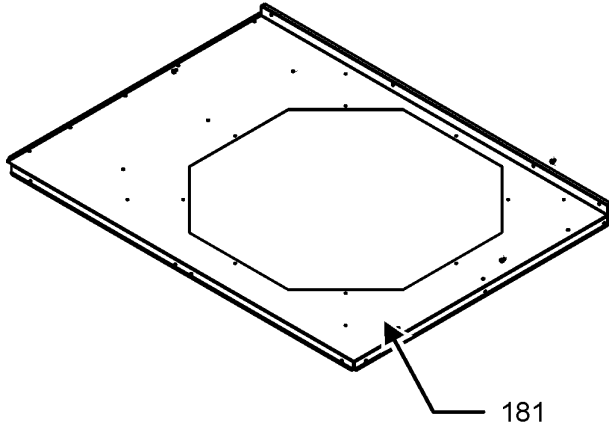
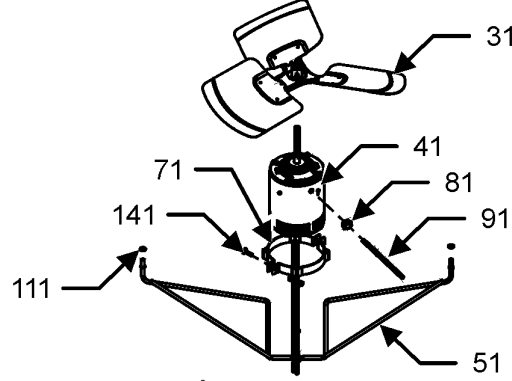
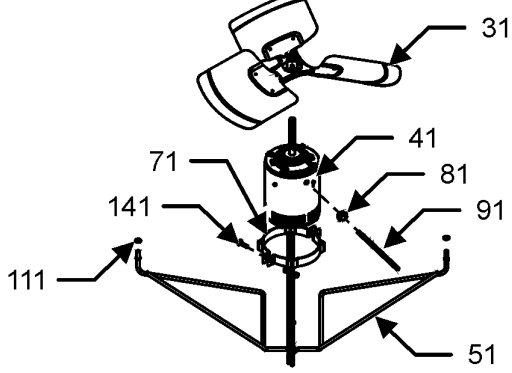
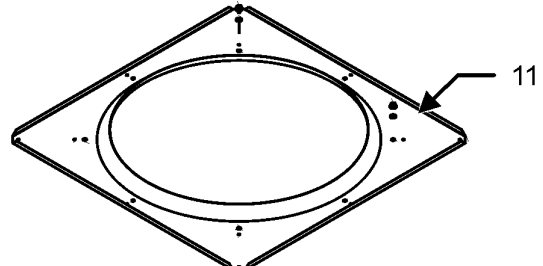
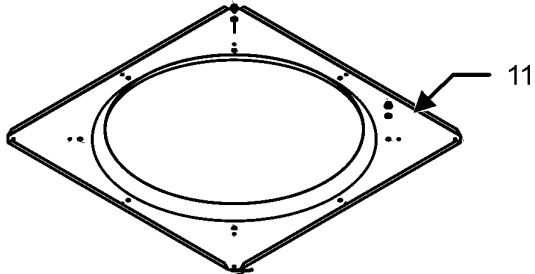
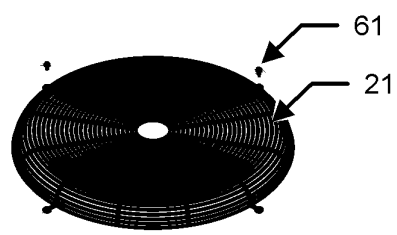
M1 - DBC3003VDDCAA
M2 - DBC3004VDDCAA
M3 - DBC3007VDDCAA

# Top Panel Assembly

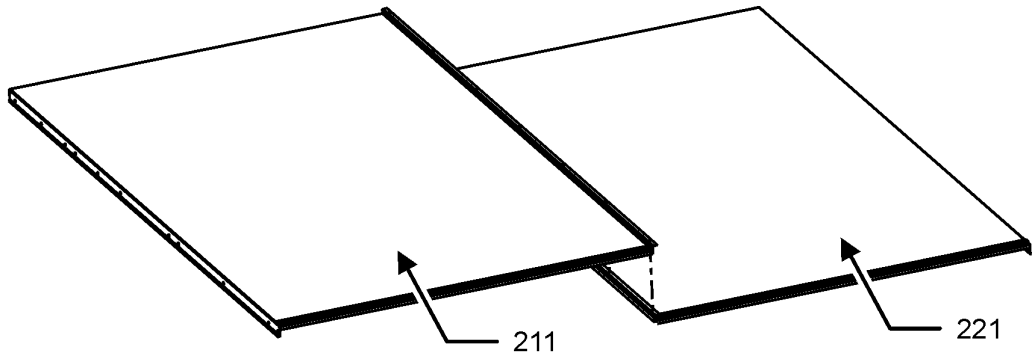
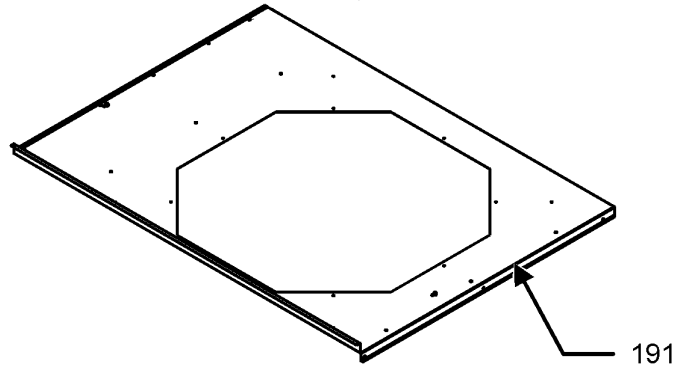
TOP PANEL ASSEMBLY



OUTDOOR ASSEMBLY



INDOOR ASSEMBLY



# Top Panel Assembly

Ref. Part No: No:	Description:	Ref. Part No: No:	Description:
-------------------	--------------	-------------------	--------------

---

## Image 1:

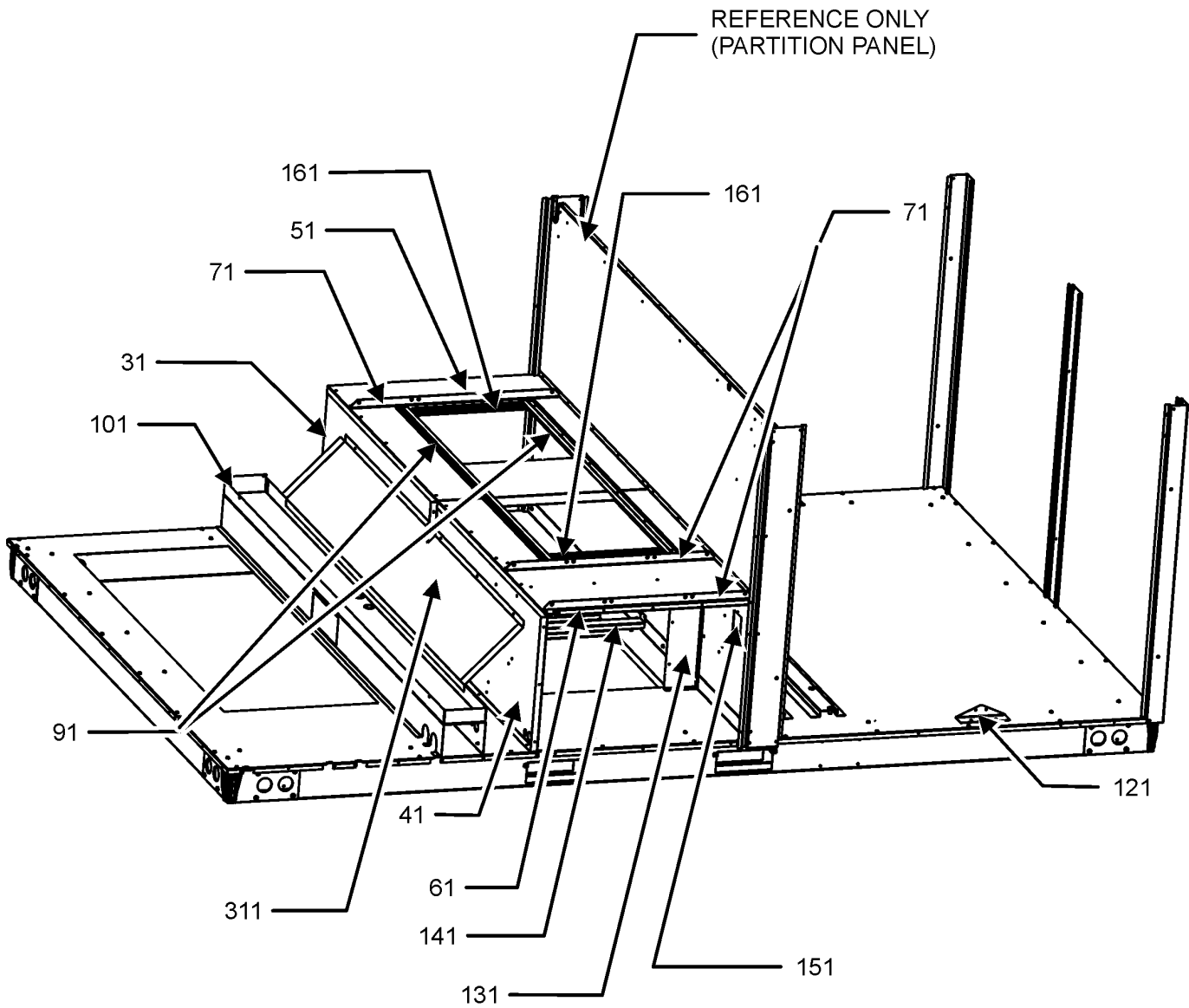
11	0121L01151SB	FAN PANEL 30" (QTY 2)
21	0152L00003	FAN GRILLE (QTY 2)
31	0150M00044	FAN BLADE (QTY 2)
41	0131M00697	MOTOR, COND (M1, M2)
41	0131M00721	MOTOR, COND 575 V (M3)
51	0163L00080	MOTOR MOUNT (QTY 2)
61	0163M00097	WASHERED SCREW (QTY 8)
71	0163L00082	MOTOR CLAMP BAND (QTY 2)
81	B1393726	ELECT. CONNECTING BUSHING (QTY 2)
91	0259L00219	POWER HARNESS, CM PIGTAIL (QTY 2)
111	B1392912	FLAT WASHER 3/8 ID X 7/8 OD (QTY 16)
141	0163M00275	CARRIAGE BOLT (QTY 4)
181	0121L01081SB	TOP, FAN C1
191	0121L01094SB	TOP, FAN C2
211	0121L00693SB	TOP ASSY, CONTROL SIDE
221	0121L00694SB	TOP ASSY, EVAP SIDE

## Expanded Model Nomenclature

M1 - DBC3003VDDCAA
M2 - DBC3004VDDCAA
M3 - DBC3007VDDCAA

# Partition Assembly

## PARTITION ASSEMBLY



PARTITION ASSEMBLY MAY DIFFER FROM WHAT IS SHOWN

# Partition Assembly

Ref. Part No:	No:	Description:	Ref. Part No:	No:	Description:
---------------	-----	--------------	---------------	-----	--------------

---

**Image 1:**

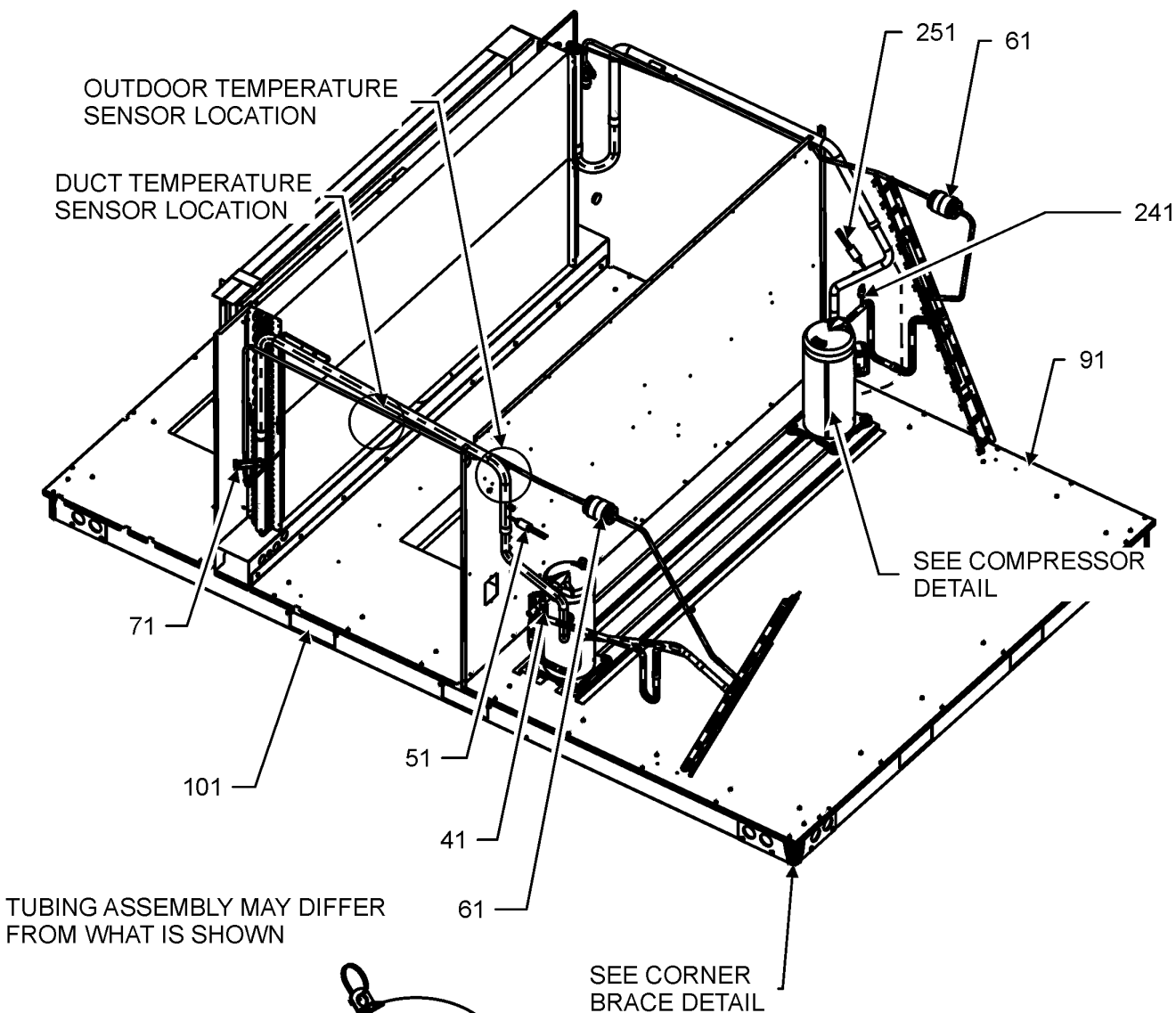
31	0121L01163	DECK SIDE, DUCT END
41	0121L01162	DECK SIDE, HT END
51	0121L01160	DECK, BLOWER EVAP SIDE
61	0121L01061	DECK-BLOWER, MOTOR END
71	0121L01431	ANGLE, MOTOR MOUNT (QTY 3)
91	0121L00478	BLOWER DECK RAIL (QTY 2)
101	0270L00612DG	DRAIN PAN, WELDMENT, PAINTED
121	0121L00913	BRACKET-COND/BASEPAN (QTY 2)
131	0121L00591	ELECTRIC HEAT MOUNTING PLATE
141	0121L00592	ELECTRIC HEAT SUPPORT
151	0121L00593	FLUE HOLE COVER
161	0121L00481	BLOWER RAIL (QTY 2)
311	0121L01158	SHIELD-BLOWOFF

**Expanded Model Nomenclature**

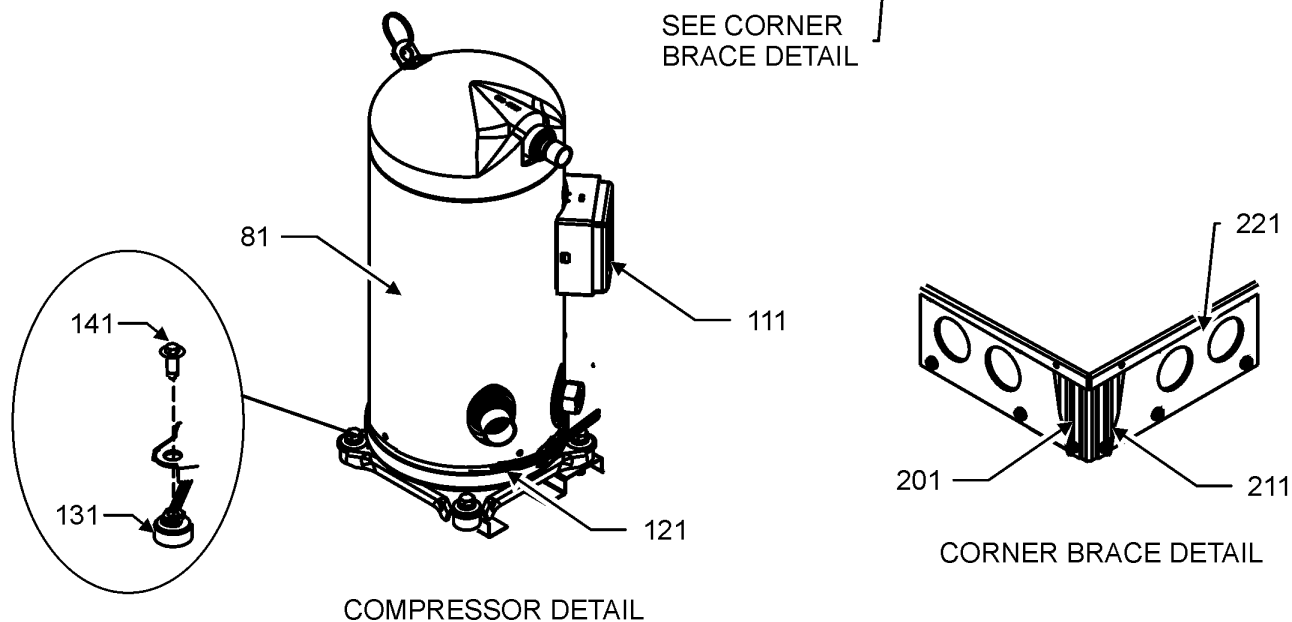
M1 - DBC3003VDDCAA
M2 - DBC3004VDDCAA
M3 - DBC3007VDDCAA

# Compressor and Tubing Assembly

## TUBING ASSEMBLY



TUBING ASSEMBLY MAY DIFFER  
FROM WHAT IS SHOWN



# Compressor and Tubing Assembly

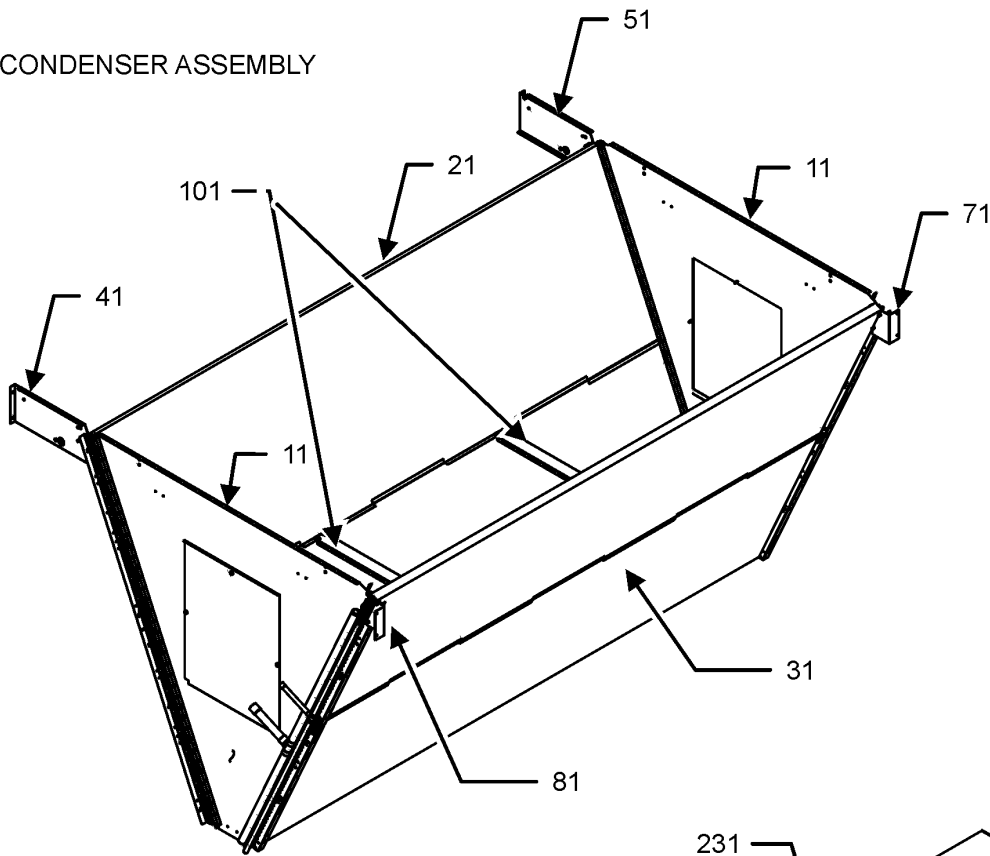
Ref. Part No:	No:	Description:	Ref. Part No:	No:	Description:
<b>Image 1:</b>					
41	0130M00074	HIGH PRESSURE SWITCH			
51	0130M00087	LOW PRESSURE SWITCH			
61	0162L00025	FILTER DRIER (QTY 2)			
71	0210L00470	TXV WELDMENT (QTY 2)			
81	ZP137KCETFD155	Comp, 135,000, 460/60/3 (M2)			
81	ZP137KCETFE155	Comp, 136,000, 575/60/3 (M3)			
81	ZP137KCETF5250	COMP, 137,000, 200/230/60/3 (M1)			
91	0121L00720	SIDE RAIL			
101	0121L00719	CONTROL SIDE BASE RAIL			
111	0159L00063	HARNESS, COMP SCROLL (M2, M3)			
111	0159L00064	HARNESS, COMP SCROLL (M2, M3)			
111	0159L00061	HARNESS-COMPRESSOR (M1)			
111	0159L00062	HARNESS-COMPRESSOR (M1)			
121	0130L00020	CRANK CASE HEATER, 90W, 240V (M1)			
121	0130L00021	CRANK CASE HEATER, 90W, 480V (M2)			
121	0130L00022	CRANK CASE HEATER, 90W, 575V (M3)			
131	0164M00018	COMPRESSOR GROMMET (QTY 8)			
141	B1393740	COMPRESSOR BOLT & SLEEVE (QTY 8)			
201	0121L00616	RAIL BRACE ANGLE, RIGHT (QTY 4)			
211	0121L00617	RAIL BRACE ANGLE, LEFT (QTY 4)			
221	0121L00723	BASE RAIL CORNER BRACE (QTY 4)			
241	0130M00074	HIGH PRESSURE SWITCH			
251	0130M00087	LOW PRESSURE SWITCH			
NS	0121L00722	BASE RAIL, ACCESSORY END			
NS	0121L00721	BASE RAIL, CONDENSER END (QTY 2)			
NS	0163M00175	CAP WITH O-RING (QTY 6)			
NS	0121L00625	COMPRESSOR RAIL BRACKET (QTY 4)			
NS	0130L00228	DUCT TEMP SENSOR			
NS	0141L00029	FORK BOARD (QTY 2)			
NS	0121L00724	FORK BOARD BRACKET (QTY 4)			
NS	0121L00605	FORK BOARD PLATE			
NS	0130L00227	OUTDOOR AIR TEMP SENSOR			

## Expanded Model Nomenclature

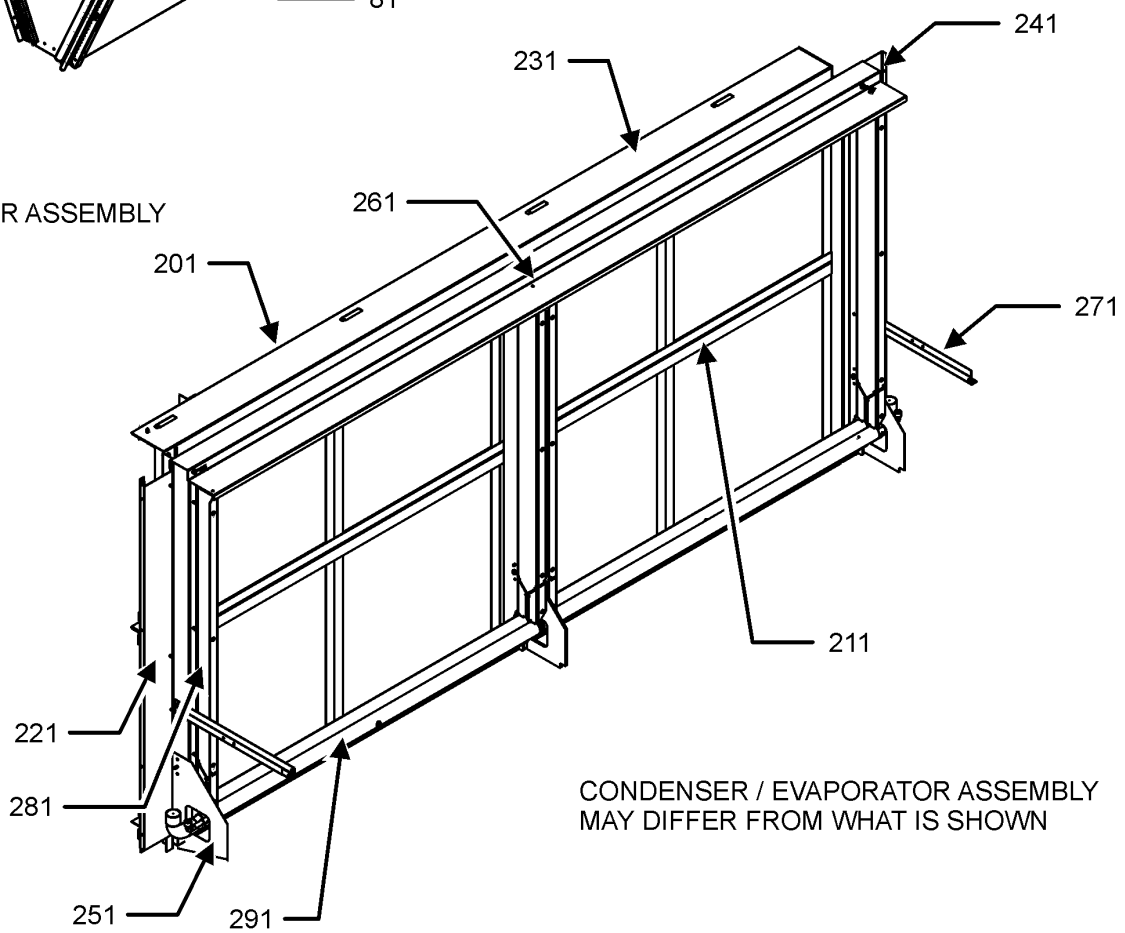
M1 - DBC3003VDDCAA
M2 - DBC3004VDDCAA
M3 - DBC3007VDDCAA

# Condenser and Evaporator Assembly

CONDENSER ASSEMBLY



EVAPORATOR ASSEMBLY



CONDENSER / EVAPORATOR ASSEMBLY  
MAY DIFFER FROM WHAT IS SHOWN

# Condenser and Evapuator Assembly

Ref. Part No:	Ref. Part No:	Description:	Description:
---------------	---------------	--------------	--------------

**Image 1:**

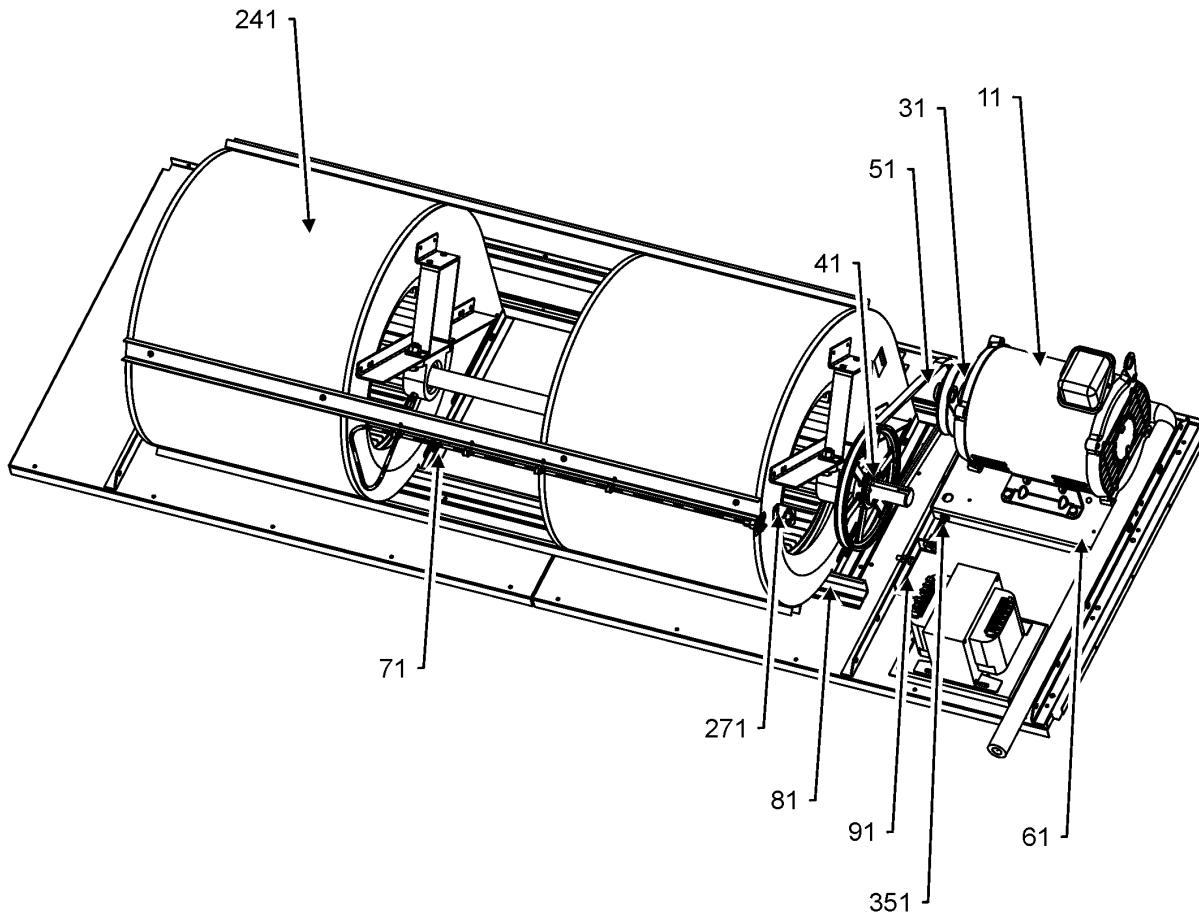
11	0121L00854	END COVER-CONDENSER (QTY 2)
21	0201L00151	CONDENSER COIL ASSY C1
31	0201L00152	CONDENSER COIL ASSY C2
41	0121L01154	BRACKET-CONDENSER END
51	0121L01156	BRACKET-CONDENSER END
71	0121L01153	BRACKET-COND/POST
81	0121L01155	BRACKET-COND/POST
101	0121L00901	COND COILS BRACE (QTY 2)
201	0202L00102	EVAP COIL ASSY C1
211	0270L00614	CENTER FILTER RACK
221	0121L01086	EVAP BLOCKOFF, RIGHT
231	0202L00103	EVAP COIL ASSY C2
241	0121L01085	EVAP BLOCKOFF, LEFT
251	0121L01133	END SUPPORT PLATE (QTY 2)
261	0121L01188	TOP FILTER RACK
271	0121L02259	SUPPORT BRACKET, EVAP-RH (QTY 2)
281	0121L01184	ANGLE, FILTER RACK
291	0121L01187	BOTTOM FILTER RACK
NS	0160L00136	Air Filter 20x20x2 (QTY 8)
NS	0121L01178	ANGLED FILTER SLIDER (QTY 4)
NS	0121L01139	BOTTOM BLOCKOFF, FILTER RACK
NS	0121L01137	FILTER PULL (QTY 2)
NS	0121L01089	MIDDLE EVAP BLOCKOFF, LEFT
NS	0121L01088	MIDDLE EVAP BLOCKOFF, RIGHT
NS	0121L04205	SUPPORT ANGLE-FILTER

**Expanded Model Nomenclature**

M1 - DBC3003VDDCAA
M2 - DBC3004VDDCAA
M3 - DBC3007VDDCAA

# Blower Assembly

BLOWER ASSEMBLY



BLOWER ASSEMBLY MAY DIFFER FROM WHAT IS SHOWN

# Blower Assembly

Ref. Part No:	No:	Description:	Ref. Part No:	No:	Description:
---------------	-----	--------------	---------------	-----	--------------

---

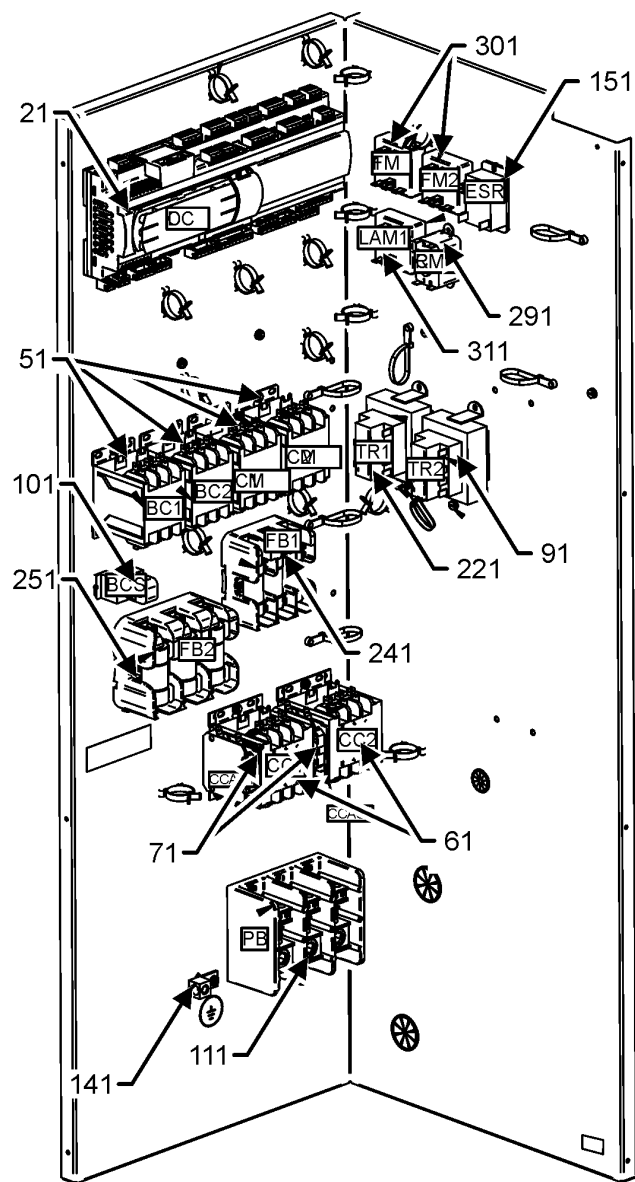
## Image 1:

11	0131L00032	MOTOR, 7.5 HP BELT DRIVE 230V (M1)
11	0131L00033	MOTOR, 7.5 HP BELT DRIVE 460V (M2)
11	0131L00034	MOTOR, 7.5 HP BELT DRIVE 575V (M3)
31	0163L00052	SHEAVE-VARIABLE PITCH
41	0163L00141	SHEAVE, FIXED BK110H
51	0164L00013	FAN BELT-NOTCHED
61	0121L01430	BASE, MOTOR
71	0121L00482	BLOWER SIDE ANGLE (QTY 4)
81	0121L00479	RAIL-BLOWER (QTY 2)
91	0121L01429	BRACKET, DRIVE SCREW
241	04-01542	BLOWER HOUSING
271	0121L00053	BRACKET FLAME ROLLOUT
351	0163M00351	BOLT, 3/8-16-6
NS	0163M00352	3/8-16 JAM NUT
NS	04-02197	BEARING&FRAME ASSY
NS	04-11552	BLOWER SHAFT
NS	04-78499	BLOWER WHEEL
NS	0163M00084	HEX LOCKNUT, NYLON INSERT
NS	0163M00085	WASHER (QTY 4)
NS	B1392923	WASHER, FLAT (QTY 3)

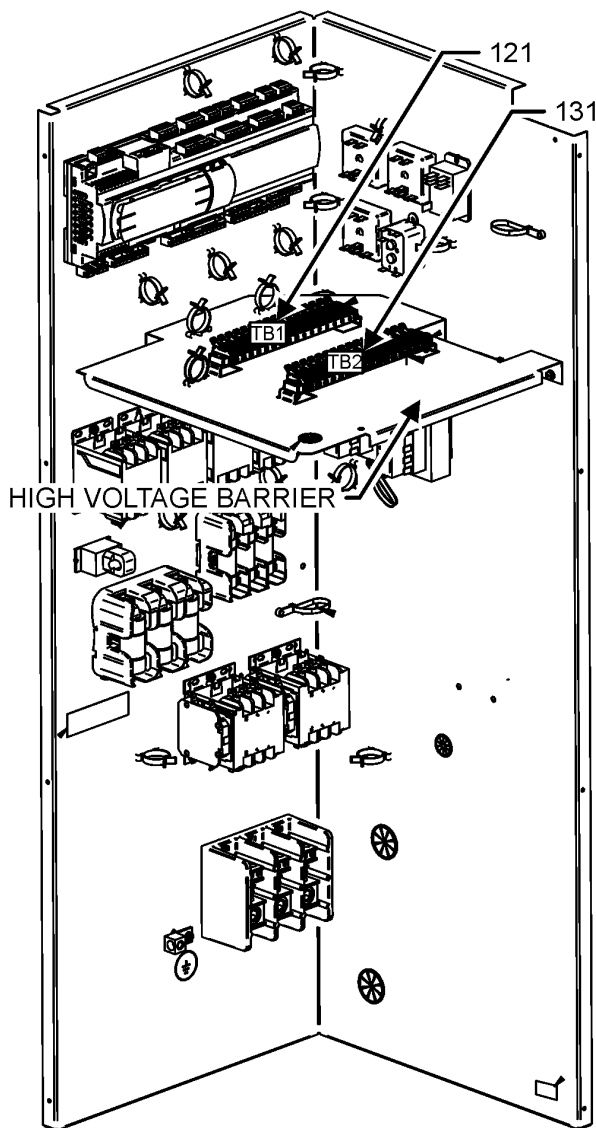
## Expanded Model Nomenclature

M1 - DBC3003VDDCAA
M2 - DBC3004VDDCAA
M3 - DBC3007VDDCAA

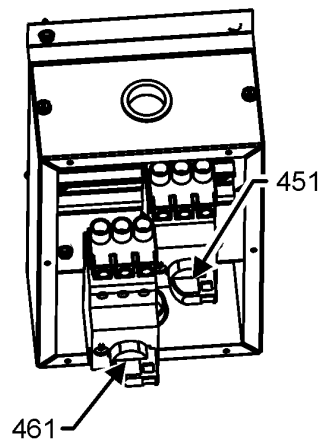
# Control Assembly



# CONTROL BOX ASSEMBLY



# CIRCUIT BREAKER ASSEMBLY



CONTROL BOX ASSEMBLY MAY DIFFER FROM WHAT IS SHOWN

# Control Assembly

Ref. Part No:	Part No:	Description:	Ref. Part No:	Part No:	Description:
---------------	----------	--------------	---------------	----------	--------------

**Image 1:**

21	0130M00579	DDC CONTROLLER 39IO
51	CONT3P030024V	CONT 3 POLE 30 AMP 24 VAC (QTY 4)
61	CONT3P030024V	CONT 3 POLE 30 AMP 24 VAC (M2, M3)
61	CONT3P050024V	CONT, 3 POLE, 50 AMP, 24 VAC (M1)
71	0130M00249	AUXILLARY SWITCH (QTY 2)
91	0130M00598	TRANSFMR, 75VA, 575V TO 24V (M3)
91	0130M00594	TRANSFORMER (M1)
91	0130M00595	TRANSFORMER, 75VA, 480V TO 24V (M2)
101	0259L00368	CURRENT SWITCH WITH TERMS
111	0130M00042	BLOCK, POWER
121	0130M00414	TERMINAL BOARD
131	0130M00415	TERMINAL BOARD
141	0130L00005	GOUND LUG
151	0130M00178	DPDT RELAY 24 VAC
221	0130L00205	TRANSFORMER (M1)
221	0130L00206	TRANSFORMER (M2)
221	0130L00207	TRANSFORMER (M3)
241	0130M00246	FUSE BLOCK
251	0130M00247	FUSE BLOCK
291	10135604	RELAY
301	0130M00263	RELAY THERMISTOR (QTY 2)
311	0130M00264	RELAY THERMISTOR
451	0130L00083	ROTARY MANUAL MOTOR PROTECTOR (M2, M3)
451	0130L00085	ROTARY MANUAL MOTOR PROTECTOR (M1)
461	0130L00084	ROTARY MANUAL MOTOR PROTECTOR (M2, M3)
461	0130L00086	ROTARY MANUAL MOTOR PROTECTOR (M1)
NS	0121L01012	CIRCUIT BREAKER BOX
NS	0121L01011	CIRCUIT BREAKER BOX BRACKET
NS	0121L01013	CIRCUIT BREAKER BOX COVER
NS	0259L00190	CIRCUIT BREAKER HARNESS
NS	BDG-ILINQA	DAIKIN ILINQ BACNET DES GUIDE
NS	QSG-ILINQA	DAIKIN ILINQ QUICK START GUIDE
NS	UM-ILINQA	DAIKIN ILINQ U SER MANUAL
NS	0130L00101	FUSE J CLASS (QTY 3)
NS	0130L00102	FUSE J CLASS (QTY 3)
NS	0259L00181	HARNESS-BELT DRIVE 2 SP MOTOR
NS	0130L00252	PROGRAM APP CONTROLLER DDC
NS	0130L00226	SPACE TEMPER ATURE SENSOR

**Expanded Model Nomenclature**

M1 - DBC3003VDDCAA
M2 - DBC3004VDDCAA
M3 - DBC3007VDDCAA

# ACCESSORY PARTS LIST

NOTE: NOT ALL OPTIONS AVAILABLE FOR ALL PRODUCTS

FOR ACCESSORY PARTS SEE THE FOLLOWING PART MANUAL

**RP-FIOPLC\***

**RP-EHS[D/B]LC\***

**RP-EHX[D/B]LC\***

# Accessory Parts List

Ref. Part No:	Ref. Part No:	Description:	Description:
---------------	---------------	--------------	--------------

---

**Image 1:**

NS	RP-FIOPLC*	ACCESSORY PART MANUAL
NS	RP-EHSBLC*	HEATER KIT MANUAL
NS	RP-EHSDLC*	HEATER KIT MANUAL
NS	RP-EHXBLC*	HEATER KIT MANUAL
NS	RP-EHXDLC*	HEATER KIT MANUAL

**Expanded Model Nomenclature**

M1 - DBC3003VDDCAA
M2 - DBC3004VDDCAA
M3 - DBC3007VDDCAA