

Commercial 25 Ton 2-Speed Package Cooling Units

DBC3003SAA
DBC3003VAA
DBC3004SAA
DBC3004VAA
DBC3007SAA
DBC3007VAA



This manual is to be used by qualified technicians only.

Important Information

Index

Functional Parts List	3
Illustration and Parts	4 - 17

Views shown are for parts illustrations only, not servicing procedures

Text Codes:

AR - As Required

NA - Not Available

NS - Not Shown

00000000 - See Note

QTY - Quantity Example (QTY 3) (If Quantity not shown, Quantity = 1)

M - Model Example (M1) (If M Code not shown, then part is used on all Models)

Expanded Model Nomenclature:

Example M1 - Model#1 M2 - Model#2 M3 - Model#3

Daikin Company, L.P. is not responsible for personal injury or property damage resulting from improper service. Review all service information before beginning repairs.

Warranty service must be performed by an authorized technician, using authorized factory parts. If service is required after the warranty expires, Daikin Company, L.P. also recommends contacting an authorized technician and using authorized factory parts.

Daikin Company, L.P. reserves the right to discontinue, or change at any time, specifications or designs without notice or without incurring obligations.

For assistance within the U.S.A. contact:

Equipment Support
Daikin North America, LLC
19001 Kermier Road
Waller, Texas 77484
855-770-5678-Telephone
713-863-2382-Facsimile

For assistance outside the U.S.A. contact:

International Division
Daikin North America, LLC
19001 Kermier Road
Waller, Texas 77484
713-861-2500-Telephone
713-863-2382-Facsimile

Functional Parts

Part

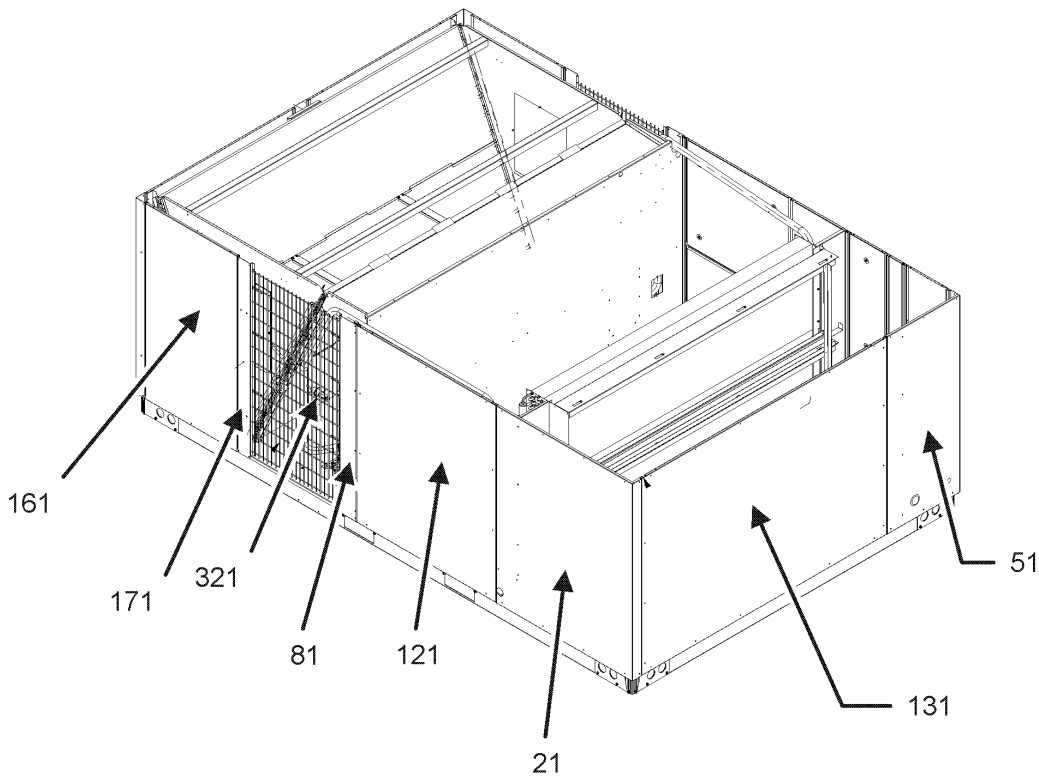
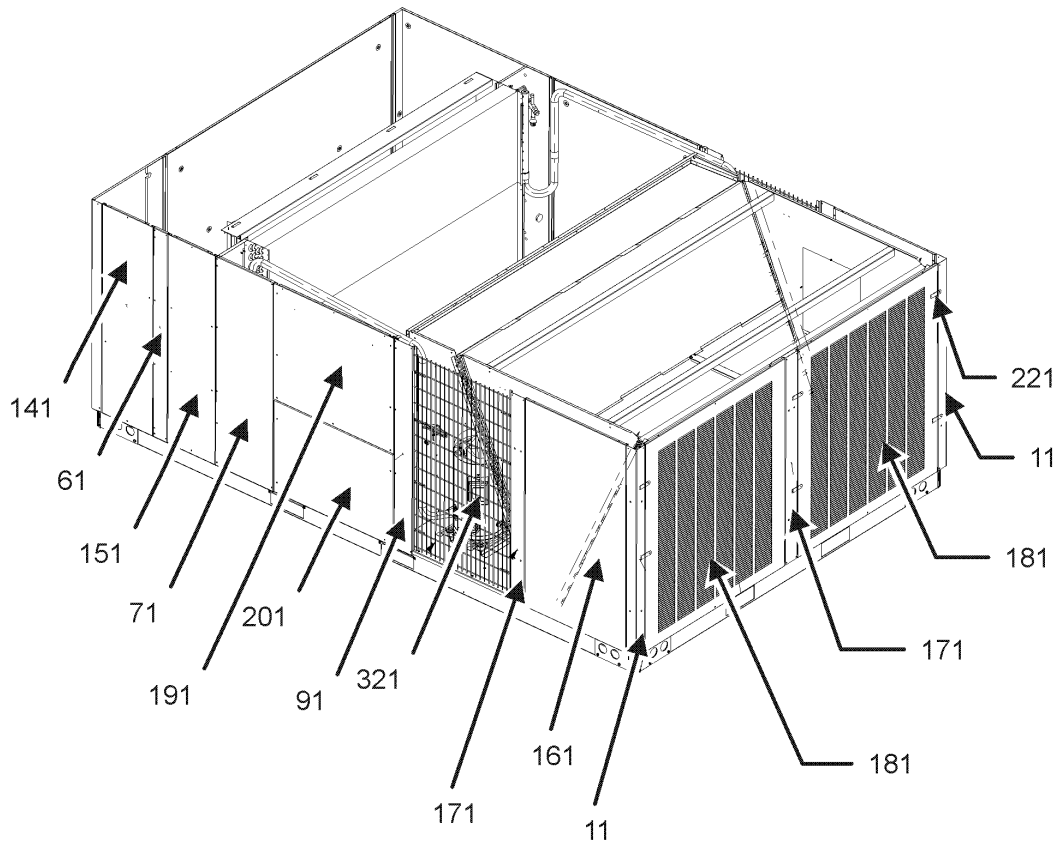
No: Description:

0271L00027	150-12R BD 1.18 TWIN BLOWER
0130M00249	AUXILLARY SWITCH (QTY 2)
ZP137KCETFE155	COMP, 136,000, 575/60/3 (M5, M6)
ZP137KCETF5250	COMP, 137000, 200/230/60/3 (M1, M2)
ZP137KCETFD155	COMPRESSOR 135,000, 460/60/3 (M3, M4)
CONT3P030024V	CONT, 3 POLE, 30 AMP, 24 VAC (QTY 4)
0130L00020	CRANK CASE HEATER, 90W, 240V (M1, M2)
0130L00021	CRANK CASE HEATER, 90W, 480V (M3, M4)
0130L00022	CRANK CASE HEATER, 90W, 575V (M5, M6)
0164L00008	FAN BELT, NOTCHED (M1, M3, M5)
0164L00013	FAN BELT-NOTCHED (M2, M4, M6)
0130M00074	HIGH PRESSURE SWITCH (QTY 2)
0130M00087	LOW PRESSURE SWITCH (QTY 2)
0131L00032	MOTOR, 7.5 HP BELT DRIVE 230V (M1, M2)
0131L00033	MOTOR, 7.5 HP BELT DRIVE 460V (M3, M4)
0131L00034	MOTOR, 7.5 HP BELT DRIVE 575V (M5, M6)
PCBFM103	PCB, TIME DELAY, EBTDR
0130M00042	POWER BLOCK
10135604	RELAY (QTY 3)
0130M00242	RELAY, 24V (QTY 2)
0130M00263	RELAY, THERMISTOR (QTY 2)
0130M00264	RELAY, THERMISTOR
802007090	TERMINAL BOARD
0130L00207	TRANSFORMER (M5, M6)
0130L00205	TRANSFORMER (M1, M2)
0130L00206	TRANSFORMER (M3, M4)

Expanded Model Nomenclature

M1 - DBC3003SAA
M2 - DBC3003VAA
M3 - DBC3004SAA
M4 - DBC3004VAA
M5 - DBC3007SAA
M6 - DBC3007VAA

Cabinet Assembly



Cabinet Assembly

Ref. Part No:	No:	Description:	Ref. Part No:	No:	Description:
---------------	-----	--------------	---------------	-----	--------------

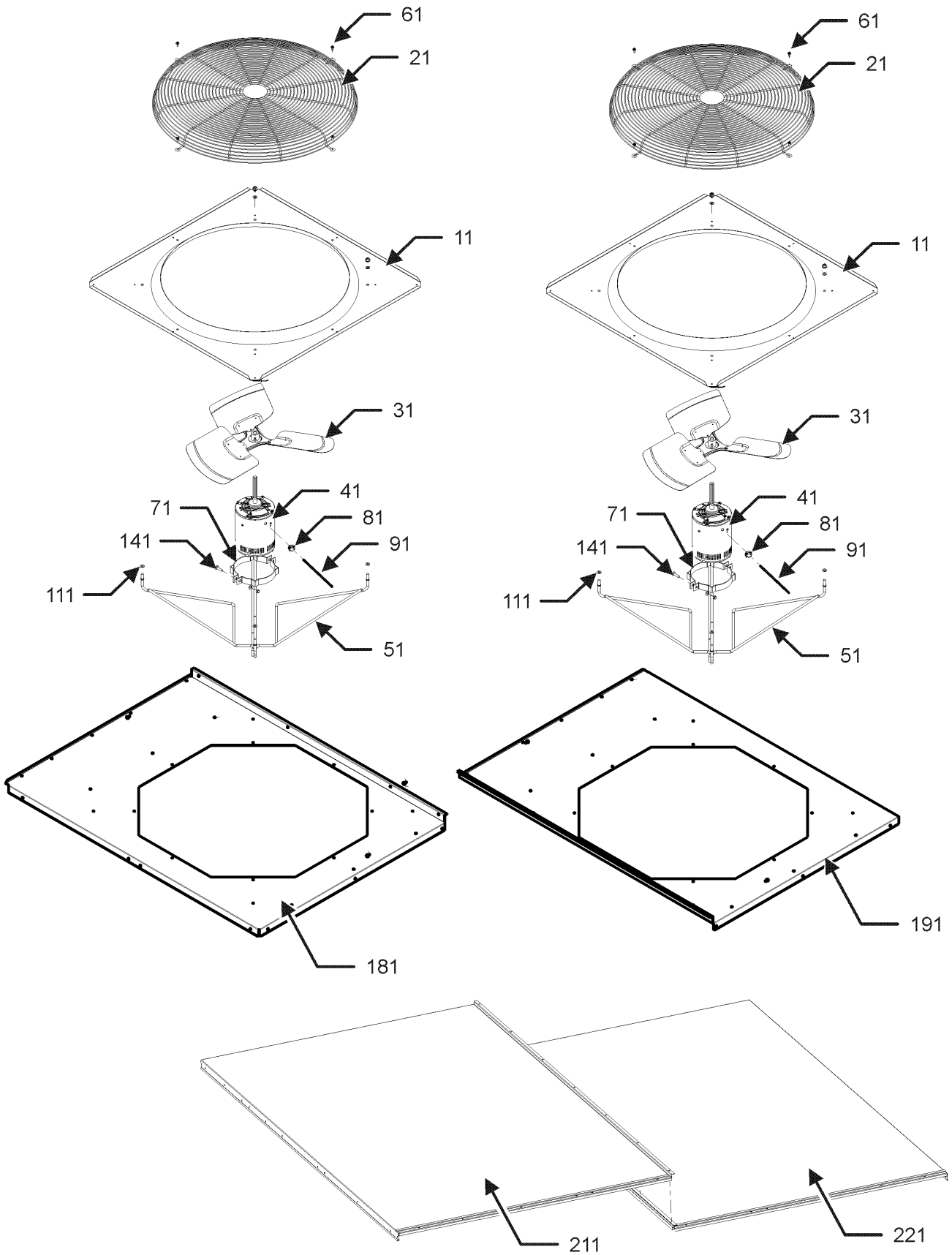
Image 1:

11	0121L01143SB	CORNER POST (QTY 2)
21	0121L00681SB	EVAPORATOR PANEL
51	0121L00679SB	CONTROL CORNER PANEL
61	0121L02048SB	POST-CONTROL /FILTER
71	0121L00710SB	BLOWER DOOR POST
81	0121L00903SB	PARTITION POST, EVAP SIDE
91	0121L00906SB	PARTITION POST, (COOL) HT
121	0121L00685SB	BLOWER DOOR, EVAP SIDE
131	0121L00688SB	ACCESSORY PANEL
141	0121L00687SB	CONTROL DOOR
151	0121L00686SB	FILTER DOOR
161	0121L00907SB	CONDENSER SIDE PANEL (QTY 2)
171	0121L01144SB	CONDENSER PANEL POST (QTY 3)
181	0121L01174SB	LOUVER PANEL (QTY 2)
191	0121L00713SB	BLOWER DOOR , GAS
201	0121L00708SB	ELECTRIC HEAT DOOR
221	0121L00476SB	DOOR TURNBUCKLE (QTY 16)
321	0152L00000	GRILLE-CONDENSER (QTY 2)
NS	0163M00306	HINGE (QTY 2)
NS	M0204317	SCREW-MACH (QTY 16)

Expanded Model Nomenclature

- | |
|-----------------|
| M1 - DBC3003SAA |
| M2 - DBC3003VAA |
| M3 - DBC3004SAA |
| M4 - DBC3004VAA |
| M5 - DBC3007SAA |
| M6 - DBC3007VAA |

Top Panel Assembly



Top Panel Assembly

Ref. Part No:	No:	Description:	Ref. Part No:	No:	Description:
---------------	-----	--------------	---------------	-----	--------------

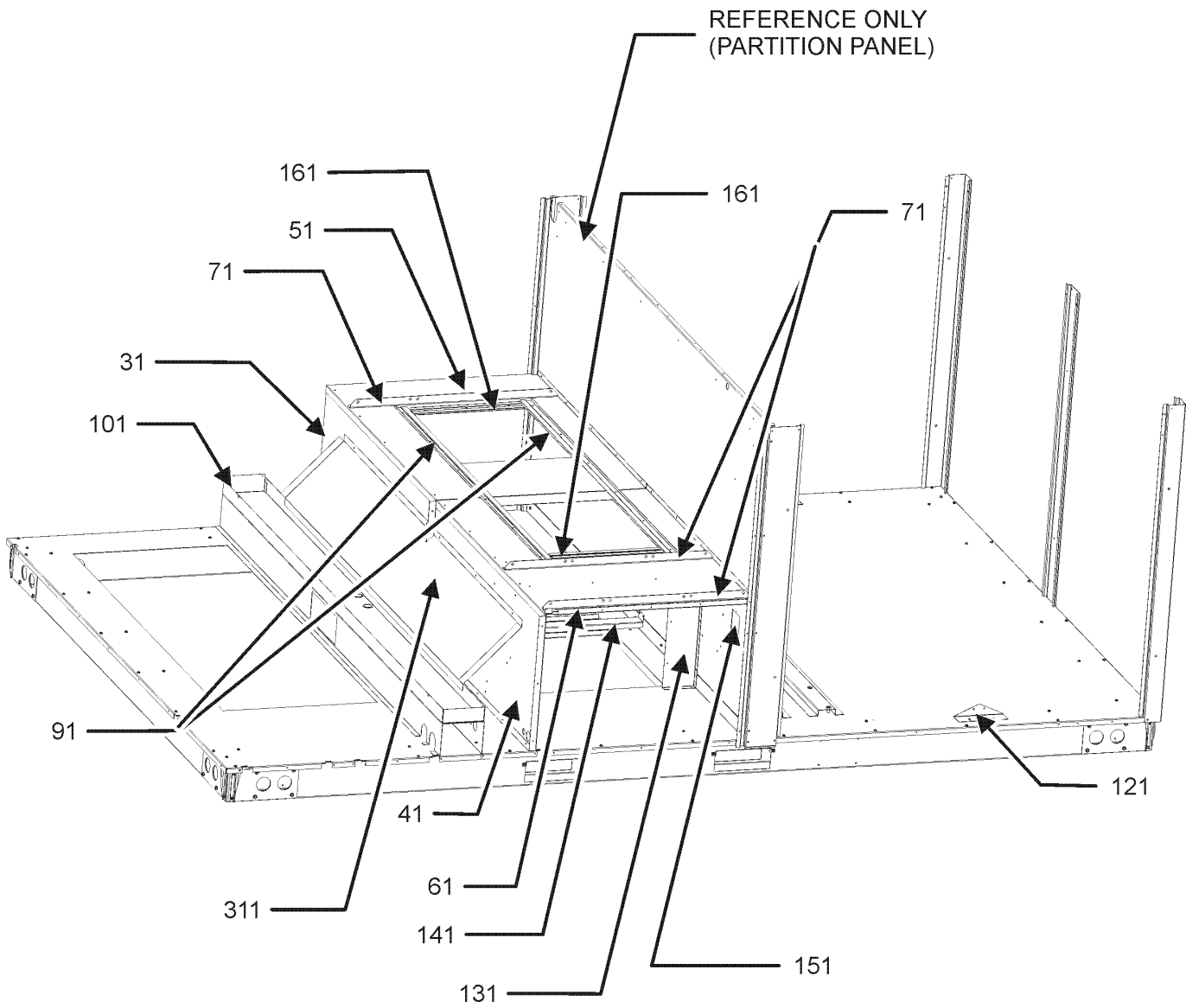
Image 1:

11	0121L01151SB	FAN PANEL 30" (QTY 2)
21	0152L00003	FAN GRILLE (QTY 2)
31	0150M00044	FAN BLADE (QTY 2)
41	0131M00697	MOTOR, COND (M1, M2, M3, M4)
41	0131M00721	MOTOR, COND 575 V (M5, M6)
51	0163L00080	MOTOR MOUNT (QTY 2)
61	0163M00097	WASHERED SCREW (QTY 8)
71	0163L00082	MOTOR CLAMP BAND (QTY 2)
81	B1393726	ELECT. CONNECTING BUSHING (QTY 2)
91	0259L00219	POWER HARNESS, CM PIGTAIL (QTY 2)
111	B1392912	FLAT WASHER 3/8 ID X 7/8 OD (QTY 16)
141	0163M00275	CARRIAGE BOLT (QTY 4)
181	0121L01081SB	TOP, FAN C1
191	0121L01094SB	TOP, FAN C2
211	0121L00693SB	TOP ASSY, CONTROL SIDE
221	0121L00694SB	TOP ASSY, EVAP SIDE

Expanded Model Nomenclature

M1 - DBC3003SAA
M2 - DBC3003VAA
M3 - DBC3004SAA
M4 - DBC3004VAA
M5 - DBC3007SAA
M6 - DBC3007VAA

Partition Assembly



Partition Assembly

Ref. Part No:	No:	Description:	Ref. Part No:	No:	Description:
---------------	-----	--------------	---------------	-----	--------------

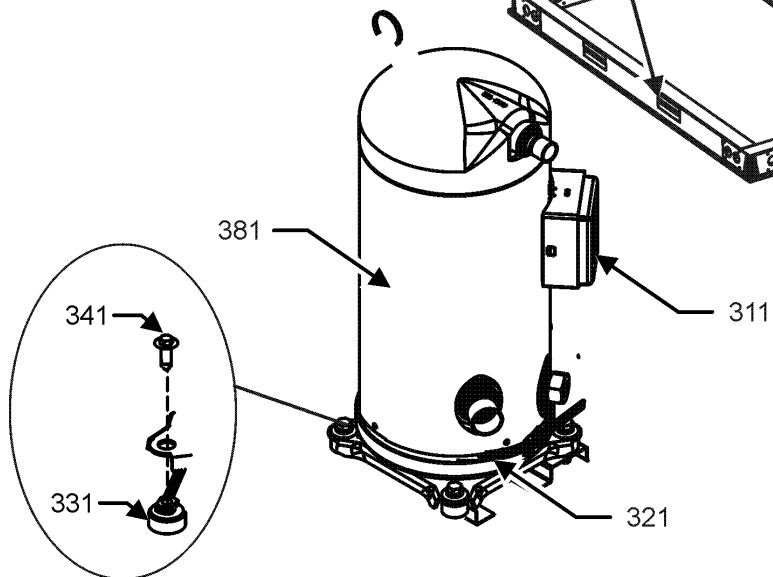
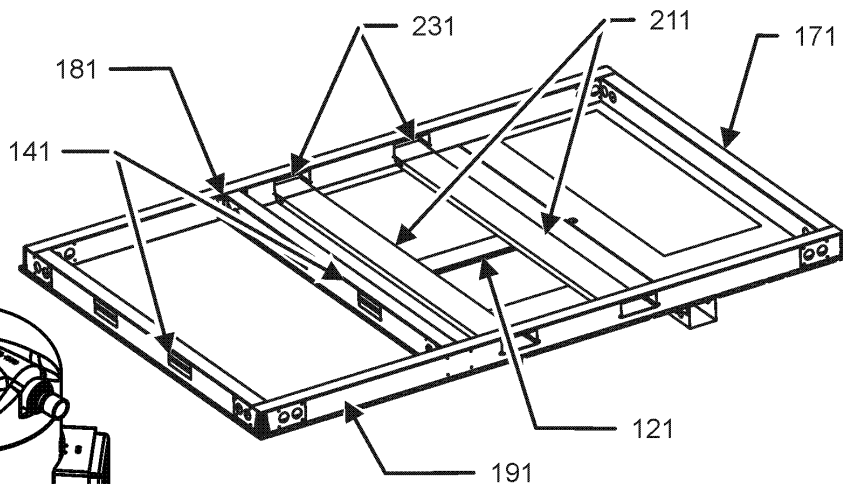
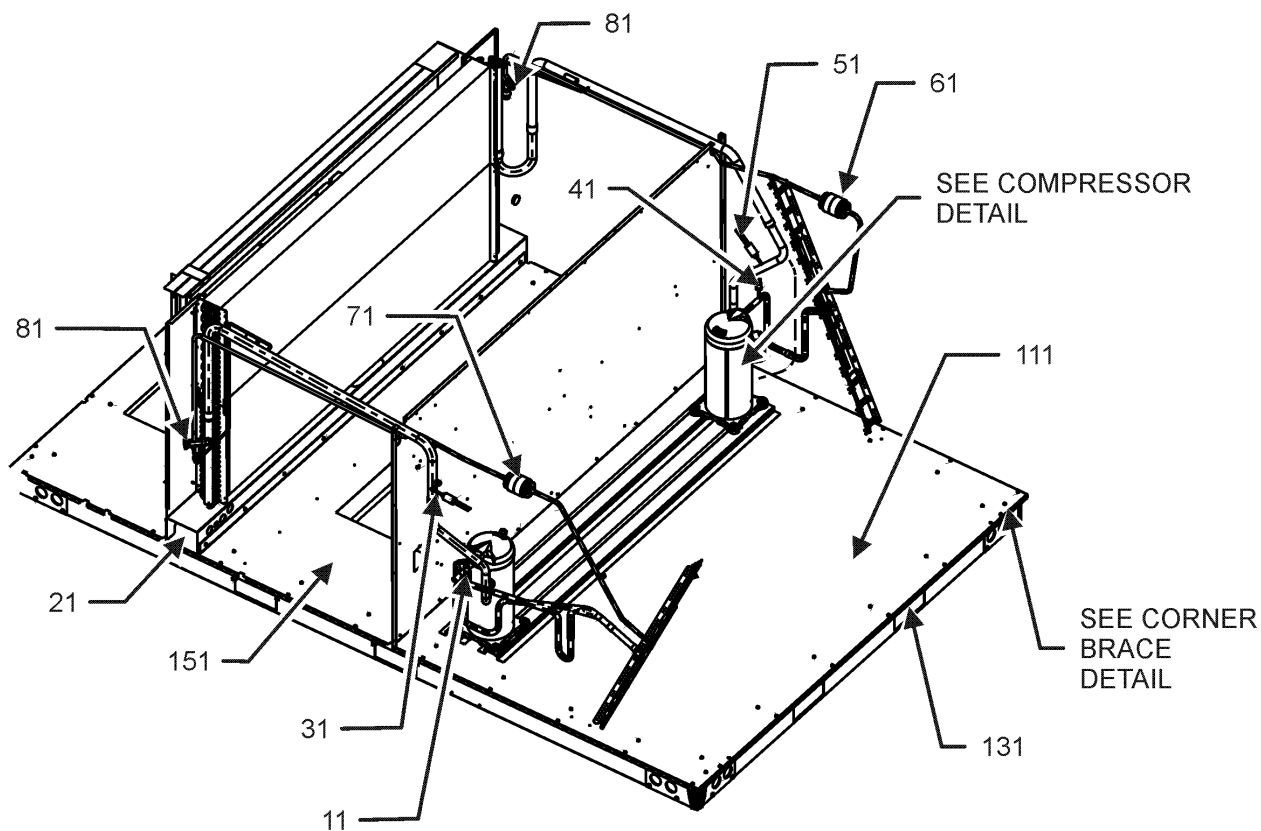
Image 1:

31	0121L01163	DECK SIDE, DUCT END
41	0121L01162	DECK SIDE, HT END
51	0121L01160	BLOWER DECK, EVAP SIDE
61	0121L01161	BLOWER DECK, MOTOR SIDE (M2, M4, M6)
71	0121L01431	ANGLE, MOTOR MOUNT (QTY 3)
91	0121L00478	BLOWER DECK RAIL (QTY 2)
101	0270L00612DG	DRAIN PAN, WELDMENT, PAINTED
121	0121L00913	BRACKET-COND/BASEPAN (QTY 2)
131	0121L00591	ELECTRIC HEAT MOUNTING PLATE
141	0121L00592	ELECTRIC HEAT SUPPORT
151	0121L00593	FLUE HOLE COVER
161	0121L00481	BLOWER RAIL (QTY 2)
311	0121L01158	SHIELD-BLOWOFF

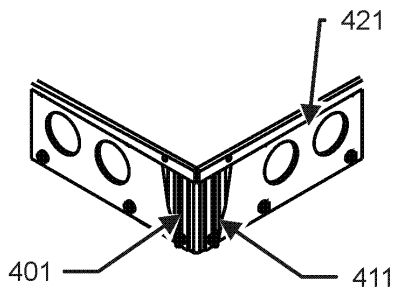
Expanded Model Nomenclature

M1 - DBC3003SAA
M2 - DBC3003VAA
M3 - DBC3004SAA
M4 - DBC3004VAA
M5 - DBC3007SAA
M6 - DBC3007VAA

Compressor and Tubing Assembly



COMPRESSOR DETAIL



CORNER BRACE DETAIL

Compressor and Tubing Assembly

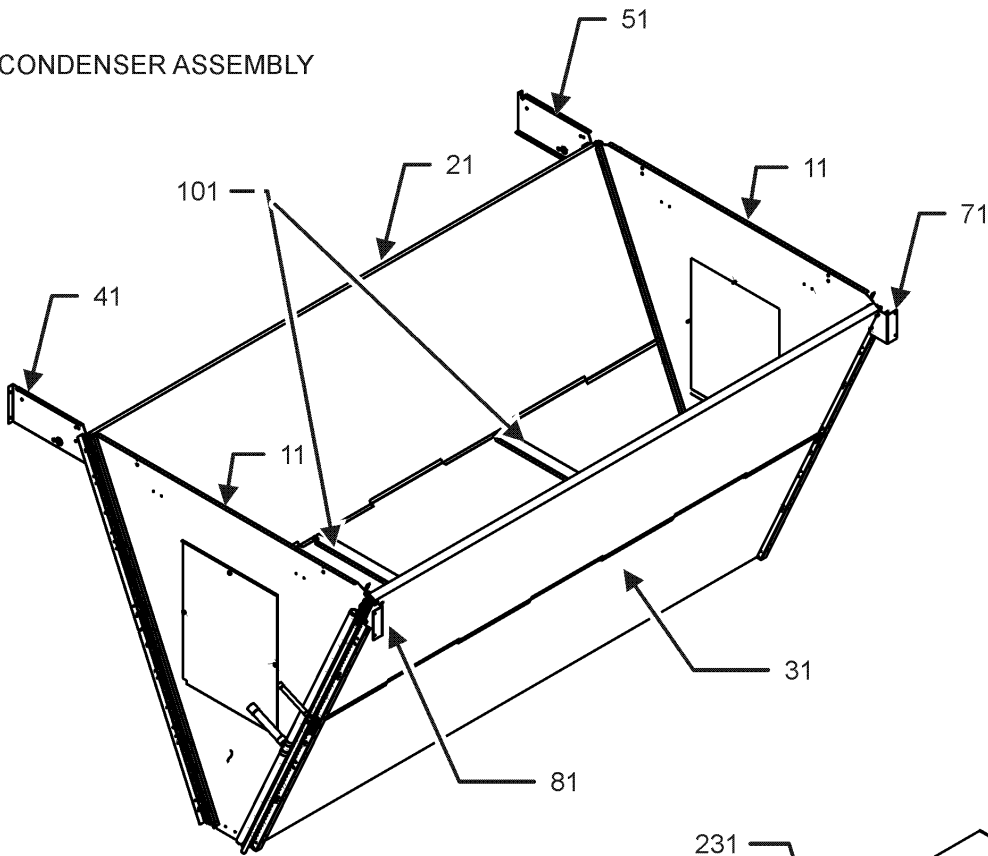
Ref. Part No:	Ref. Part No:	Description:	Description:
Image 1:			
11	0130M00074	HIGH PRESSURE SWITCH	
21	0270L00189	BASEPAN WELDMENT, RETURN SIDE	
31	0130M00087	LOW PRESSURE SWITCH	
41	0130M00074	HIGH PRESSURE SWITCH	
51	0130M00087	LOW PRESSURE SWITCH	
61	0162L00025	FILTER DRIER	
71	0162L00025	FILTER DRIER	
81	0210L00470	TXV WELDMENT (QTY 2)	
111	0270L00336	BASEPAN WELD, OUTDOOR	
121	0121L00605	FORK BOARD PLATE	
131	0121L00720	SIDE RAIL	
141	0121L00721	BASE RAIL, CONDENSER END (QTY 2)	
151	0121L00948	BASE PAN-SUPPLY	
171	0121L00722	BASE RAIL, ACCESSORY END	
181	0121L00625	COMPRESSOR RAIL BRACKET (QTY 4)	
191	0121L00719	CONTROL SIDE BASE RAIL	
211	0141L00029	FORK BOARD (QTY 2)	
231	0121L00724	FORK BOARD BRACKET (QTY 4)	
311	0159L00061	COMPRESSOR SCROLL HARNESS (M1, M2)	
311	0159L00062	COMPRESSOR SCROLL HARNESS (M1, M2)	
311	0159L00063	COMPRESSOR SCROLL HARNESS (M3, M4, M5, M6)	
311	0159L00064	COMPRESSOR SCROLL HARNESS (M3, M4, M5, M6)	
321	0130L00020	CRANK CASE HEATER, 90W, 240V (M1, M2)	
321	0130L00021	CRANK CASE HEATER, 90W, 480V (M3, M4)	
321	0130L00022	CRANK CASE HEATER, 90W, 575V (M5, M6)	
331	0164M00018	COMPRESSOR GROMMET (QTY 8)	
341	B1393740	COMPRESSOR BOLT & SLEEVE (QTY 8)	
381	ZP137KCETFE155	COMP, 136,000, 575/60/3 (M5, M6)	
381	ZP137KCETF5250	COMP, 137000, 200/230/60/3 (M1, M2)	
381	ZP137KCETFD155	COMPRESSOR 135,000, 460/60/3 (M3, M4)	
401	0121L00616	RAIL BRACE ANGLE, RIGHT (QTY 4)	
411	0121L00617	RAIL BRACE ANGLE, LEFT (QTY 4)	
421	0121L00723	BASE RAIL CORNER BRACE (QTY 4)	
NS	0163M00175	CAP WITH O-RING (QTY 6)	
NS	0121L00321	SMOKE DETECTOR COVER	

Expanded Model Nomenclature

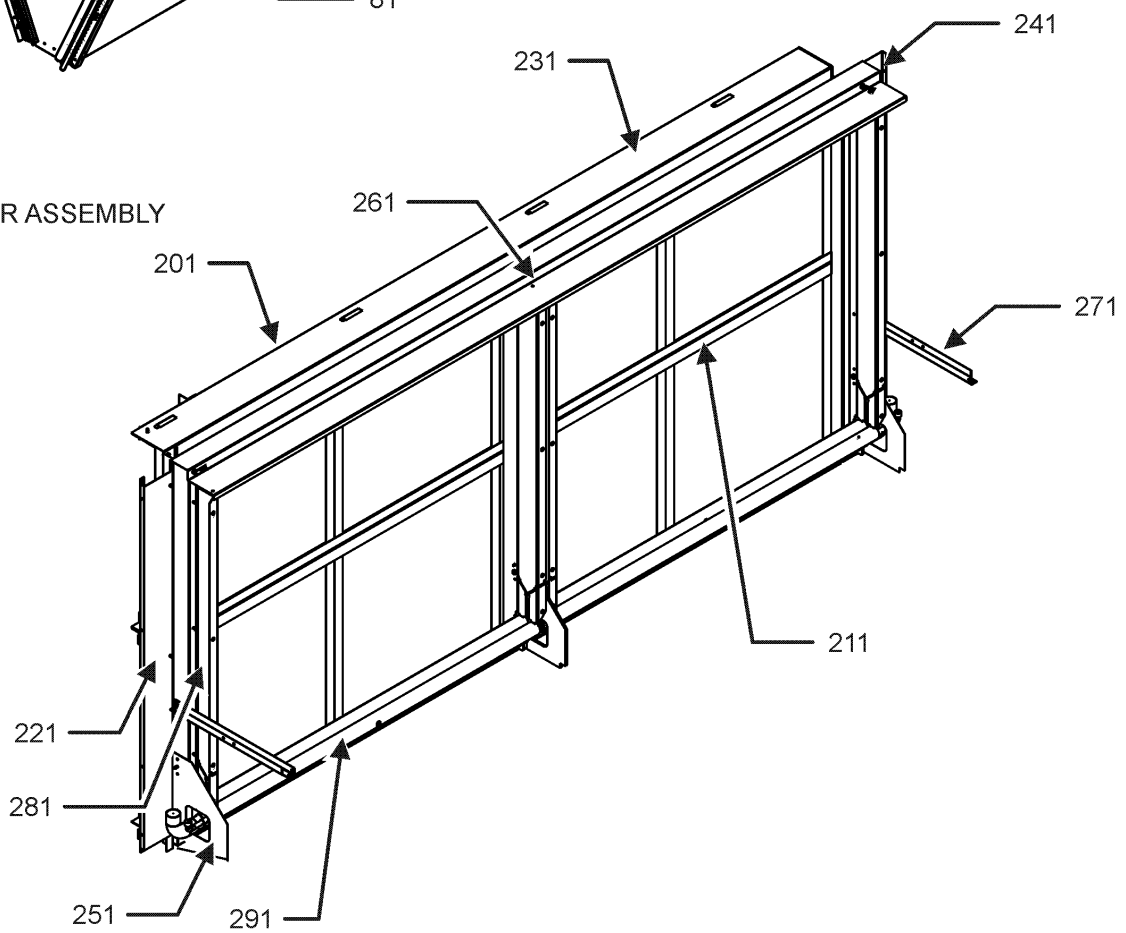
- | |
|-----------------|
| M1 - DBC3003SAA |
| M2 - DBC3003VAA |
| M3 - DBC3004SAA |
| M4 - DBC3004VAA |
| M5 - DBC3007SAA |
| M6 - DBC3007VAA |

Condenser and Evaporator Assembly

CONDENSER ASSEMBLY



EVAPORATOR ASSEMBLY



Condenser and Evaproator Assembly

Ref. Part No: No:	Description:	Ref. Part No: No:	Description:
-------------------	--------------	-------------------	--------------

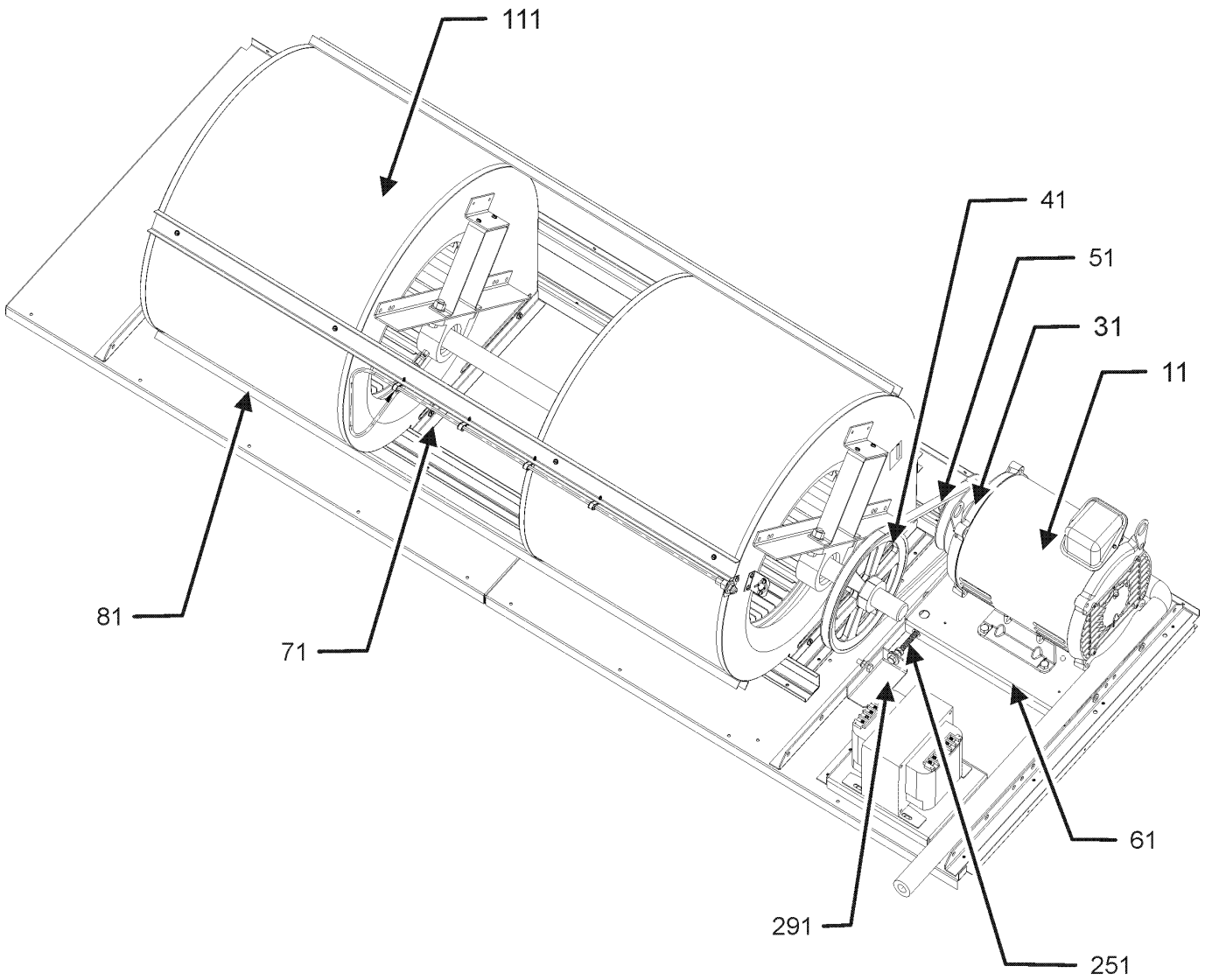
Image 1:

11	0121L00854	END COVER-CONDENSER (QTY 2)
21	0201L00151	CONDENSER COIL ASSY C1
31	0201L00152	CONDENSER COIL ASSY C2
41	0121L01154	BRACKET-CONDENSER END
51	0121L01156	BRACKET-CONDENSER END
71	0121L01153	BRACKET-COND/POST
81	0121L01155	BRACKET-COND/POST
101	0121L00901	COND COILS BRACE (QTY 2)
201	0202L00102	EVAP COIL ASSY C1
211	0270L00614	CENTER FILTER RACK
221	0121L01086	EVAP BLOCKOFF, RIGHT
231	0202L00103	EVAP COIL ASSY C2
241	0121L01085	EVAP BLOCKOFF, LEFT
251	0121L01133	END SUPPORT PLATE (QTY 2)
261	0121L01188	TOP FILTER RACK
271	0121L02259	SUPPORT BRACKET, EVAP-RH (QTY 2)
281	0121L01184	ANGLE, FILTER RACK
291	0121L01187	BOTTOM FILTER RACK
NS	0160L00136	Air Filter 20x20x2 (QTY 8)
NS	0121L01178	ANGLED FILTER SLIDER (QTY 4)
NS	0121L01139	BOTTOM BLOCKOFF, FILTER RACK
NS	0121L01137	FILTER PULL (QTY 2)
NS	0121L00632	FILTER SUPPORT ANGLE
NS	0121L01089	MIDDLE EVAP BLOCKOFF, LEFT
NS	0121L01088	MIDDLE EVAP BLOCKOFF, RIGHT

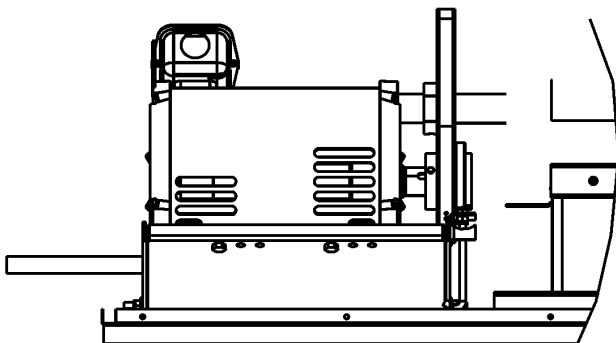
Expanded Model Nomenclature

M1 - DBC3003SAA
M2 - DBC3003VAA
M3 - DBC3004SAA
M4 - DBC3004VAA
M5 - DBC3007SAA
M6 - DBC3007VAA

Blower Assembly



MOTOR SIDE VIEW



Blower Assembly

Ref. Part No:	No:	Description:	Ref. Part No:	No:	Description:
---------------	-----	--------------	---------------	-----	--------------

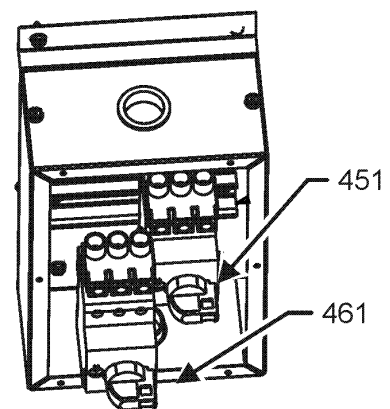
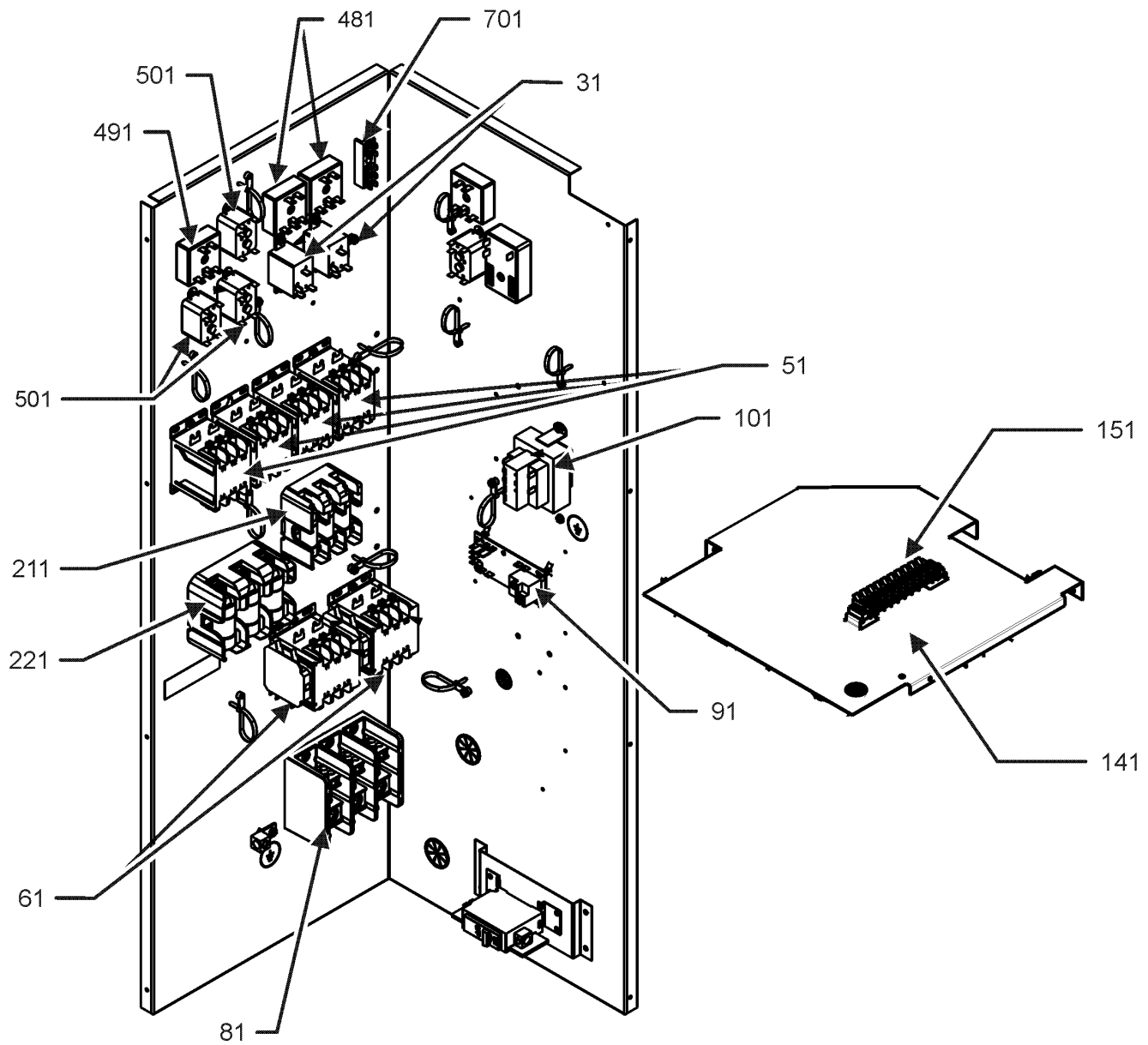
Image 1:

11	0131L00032	MOTOR, 7.5 HP BELT DRIVE 230V (M1, M2)
11	0131L00033	MOTOR, 7.5 HP BELT DRIVE 460V (M3, M4)
11	0131L00034	MOTOR, 7.5 HP BELT DRIVE 575V (M5, M6)
31	0163L00052	SHEAVE-VARIABLE PITCH
41	0163L00141	SHEAVE, FIXED BK110H (M2, M4, M6)
41	0163L00151	SHEAVE, FIXED BK85H (M1, M3, M5)
51	0164L00008	FAN BELT, NOTCHED (M1, M3, M5)
51	0164L00013	FAN BELT-NOTCHED (M2, M4, M6)
61	0121L01430	BASE, MOTOR
71	0121L00482	BLOWER SIDE ANGLE (QTY 4)
81	0121L00479	BLOWER RAIL (QTY 2)
111	0271L00027	150-12R BD 1.18 TWIN BLOWER
251	0163M00351	BOLT, 3/8-16-6
291	0121L01429	BRACKET, DRIVE SCREW
NS	0163M00352	3/8-16 JAM NUT
NS	0163M00084	HEX LOCKNUT, NYLON INSERT
NS	0163M00085	WASHER (QTY 4)
NS	B1392923	WASHER, FLAT (QTY 3)

Expanded Model Nomenclature

M1 - DBC3003SAA
M2 - DBC3003VAA
M3 - DBC3004SAA
M4 - DBC3004VAA
M5 - DBC3007SAA
M6 - DBC3007VAA

Control Assembly



Control Assembly

Ref. Part No:	Ref. Part No:	Description:	Description:
Image 1:		Expanded Model Nomenclature	
31	0130M00242	RELAY, 24V (QTY 2)	M1 - DBC3003SAA
51	CONT3P030024V	CONT, 3 POLE, 30 AMP, 24 VAC (QTY 4)	M2 - DBC3003VAA
61	0130M00249	AUXILLARY SWITCH (QTY 2)	M3 - DBC3004SAA
81	0130M00042	POWER BLOCK	M4 - DBC3004VAA
91	PCBFM103	PCB, TIME DELAY, EBTDR	M5 - DBC3007SAA
101	0130L00205	TRANSFORMER (M1, M2)	M6 - DBC3007VAA
101	0130L00206	TRANSFORMER (M3, M4)	
101	0130L00207	TRANSFORMER (M5, M6)	
141	0121L01281	HIGH VOLTAGE BARRIER	
151	0130M00240	TERMINAL BOARD	
211	0130M00246	FUSE BLOCK	
221	0130M00247	FUSE BLOCK	
451	0130L00083	ROTARY MANUAL MOTOR PROTECTOR (M3, M4, M5, M6)	
451	0130L00085	ROTARY MANUAL MOTOR PROTECTOR (M1, M2)	
461	0130L00084	ROTARY MANUAL MOTOR PROTECTOR (M3, M4, M5, M6)	
461	0130L00086	ROTARY MANUAL MOTOR PROTECTOR (M1, M2)	
481	0130M00263	RELAY, THERMISTOR (QTY 2)	
491	0130M00264	RELAY, THERMISTOR	
501	10135604	RELAY (QTY 3)	
701	802007090	TERMINAL BOARD	
NS	0121L01012	CIRCUIT BREAKER BOX	
NS	0121L01011	CIRCUIT BREAKER BOX BRACKET	
NS	0121L01013	CIRCUIT BREAKER BOX COVER	
NS	0259L00190	CIRCUIT BREAKER HARNESS	
NS	0259L00190	CIRCUIT BREAKER HARNESS	
NS	0130L00101	FUSE, J CLASS (QTY 3)	
NS	0130L00102	FUSE, J CLASS (QTY 3)	
NS	0259L00252	HARN, BC_BR_CCR, 2 SPD EM	
NS	0259L00278	HARN, CH/LPS/HPS, C1	
NS	0259L00279	HARN, CH/LPS/HPS, C2	
NS	0259L00284	HARN, CNTL, COOL	
NS	0259L00235	HARN, IGN, SUB-ASSY 5	
NS	0259L00219	HARN, PWR, CM PIGTAIL (QTY 4)	
NS	0259L00218	HARN, PWR, CM, C1	
NS	0259L00217	HARN, PWR, CM, C2	
NS	0259L00288	HARN, PWR, EM INTERCONN	
NS	0259L00222	HARN, PWR, FB TO EM_CM, 1 SPD	
NS	0259L00210	HARN, PWR, PB TO CC1 (M1, M2)	
NS	0259L00221	HARN, PWR, PB TO CC1 (M3, M4, M5, M6)	
NS	0259L00211	HARN, PWR, PB TO CC2 (M1, M2)	
NS	0259L00220	HARN, PWR, PB TO CC2 (M3, M4, M5, M6)	
NS	0259L00199	HARN, PWR, PB TO FB	
NS	0259L00285	HARN,CNTL,COOL,SUBASSY 1, HT P	
NS	0259L00238	HARN,CNTL,COOL,SUBASSY 2,ECON	
NS	0259L00247	HARNESS, CC_CMC	
NS	0259L00253	HARNESS, FREEZE STATS ASSY	
NS	0259L00181	HARNESS-BELT DRIVE 2 SP MOTOR	
NS	0259L00181	HARNESS-BELT DRIVE 2 SP MOTOR	