

Commercial 20 Ton DDC Control 2-Speed Package Cooling Units

DBC2403VDDCAA
DBC2404VDDCAA
DBC2407VDDCAA



This manual is to be used by qualified technicians only.

Important Information

Index

Functional Parts List	3
Illustration and Parts	4 - 17

Views shown are for parts illustrations only, not servicing procedures

Text Codes:

AR - As Required

NA - Not Available

NS - Not Shown

00000000 - See Note

QTY - Quantity Example (QTY 3) (If Quantity not shown, Quantity = 1)

M - Model Example (M1) (If M Code not shown, then part is used on all Models)

Expanded Model Nomenclature:

Example M1 - Model#1 M2 - Model#2 M3 - Model#3

Daikin Company, L.P. is not responsible for personal injury or property damage resulting from improper service. Review all service information before beginning repairs.

Warranty service must be performed by an authorized technician, using authorized factory parts. If service is required after the warranty expires, Daikin Company, L.P. also recommends contacting an authorized technician and using authorized factory parts.

Daikin Company, L.P. reserves the right to discontinue, or change at any time, specifications or designs without notice or without incurring obligations.

For assistance within the U.S.A. contact:

Equipment Support
Daikin North America, LLC
19001 Kermier Road
Waller, Texas 77484
855-770-5678-Telephone
713-863-2382-Facsimile

For assistance outside the U.S.A. contact:

International Division
Daikin North America, LLC
19001 Kermier Road
Waller, Texas 77484
713-861-2500-Telephone
713-863-2382-Facsimile

Functional Parts

Part

No: Description:

0130M00249	AUXILLARY SWITCH (QTY 2)
CAP100000370LA	CAPACITOR 10/370V (M1)
CAP050000440LA	CAPACITOR 5/440V (M2, M3)
ZP122KCETFD155	COMP, 124000, 460/60/3 (M2)
ZP122KCETFE155	COMP, 124000, 575/60/3 (M3)
ZP122KCETF5250	COMP, 124000, 200/230/60/3 (M1)
CONT3P030024V	CONT 3 POLE 30 AMP 24 VAC (QTY 2)
CONT3P030024V	CONT 3 POLE 30 AMP 24 VAC (QTY 4)
CONT3P030024V	CONT 3 POLE 30 AMP 24 VAC (QTY 2)
0130L00019	CRANK CASE HEATER, 70W, 575V (M3)
0130L00017	CRANK CASE HEATER-70W 240V (M1)
0130L00018	CRANK CASE HEATER-70W, 480V (M2)
0130M00579	DDC CONTROLLER 39IO
0130M00178	DPDT RELAY 24VAC
0130L00228	DUCT TEMP SENSOR
0164L00013	FAN BELT-NOTCHED
10625733	FAN BLADE 22" ALUM C CW (QTY 3)
0130M00074	HIGH PRESSURE SWITCH (QTY 2)
0130M00087	LOW PRESSURE SWITCH (QTY 2)
0131L00025	MOTOR, 5 HP BELT DRIVE 230V (M1)
0131L00031	MOTOR, 5 HP BELT DRIVE 460 V (M2)
0131L00028	MOTOR, 5 HP BELT DRIVE 575 V (M3)
0131M00907	MOTOR, HP, 1/3, OD (M2)
0131M00908	MOTOR, HP, 1/3, OD, LAK (M3)
0131M00906	MOTOR, HP, 1/3, SP, 1, PL, 6 (M1)
0130L00227	OUTDOOR AIR TEMP SENSOR
0130L00252	PROGRAM, APP, CONTROLLER, DDC
0130L00226	SPACE TEMPERATURE SENSOR
0130M00598	TRANSFMR, 75VA, 575V TO 24V (M3)
0130M00594	TRANSFORMER (M1)
0130L00205	TRANSFORMER (M1)
0130L00206	TRANSFORMER (M2)
0130L00207	TRANSFORMER (M3)
0130M00595	TRANSFORMER, 75VA, 480V TO 24V (M2)
0151L00011	VALVE, TXV R-410A

SPECIAL PARTS

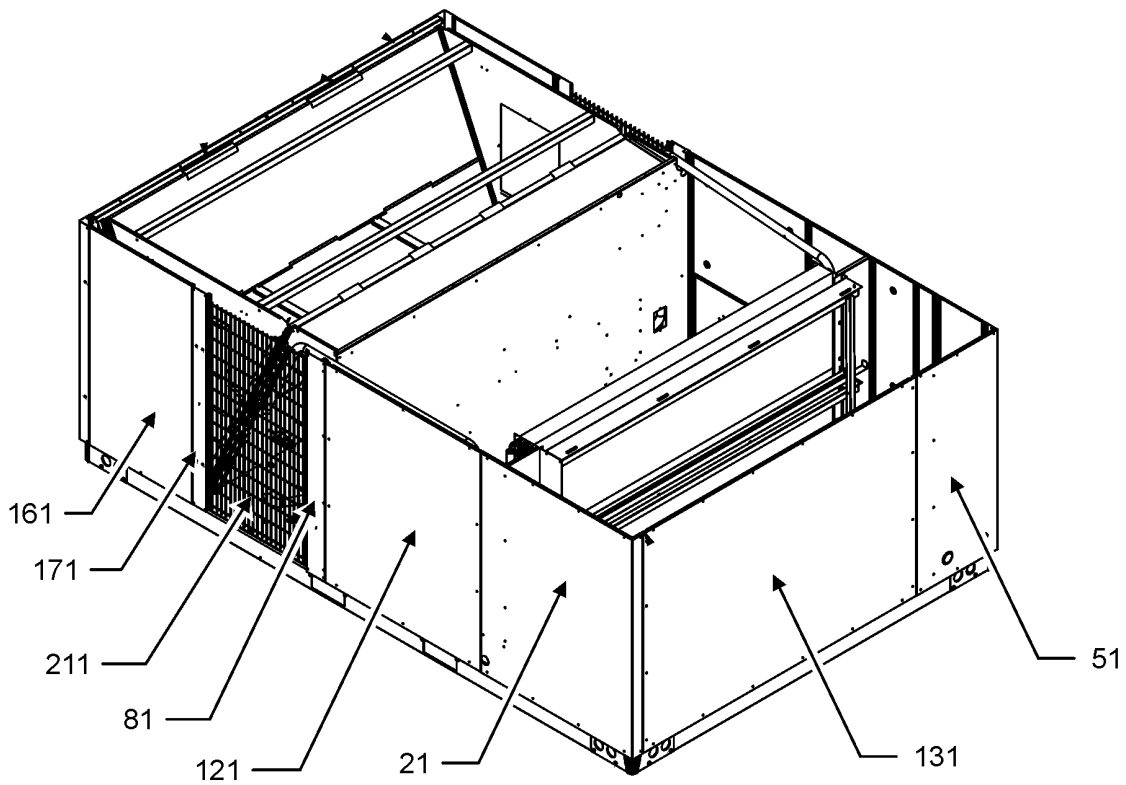
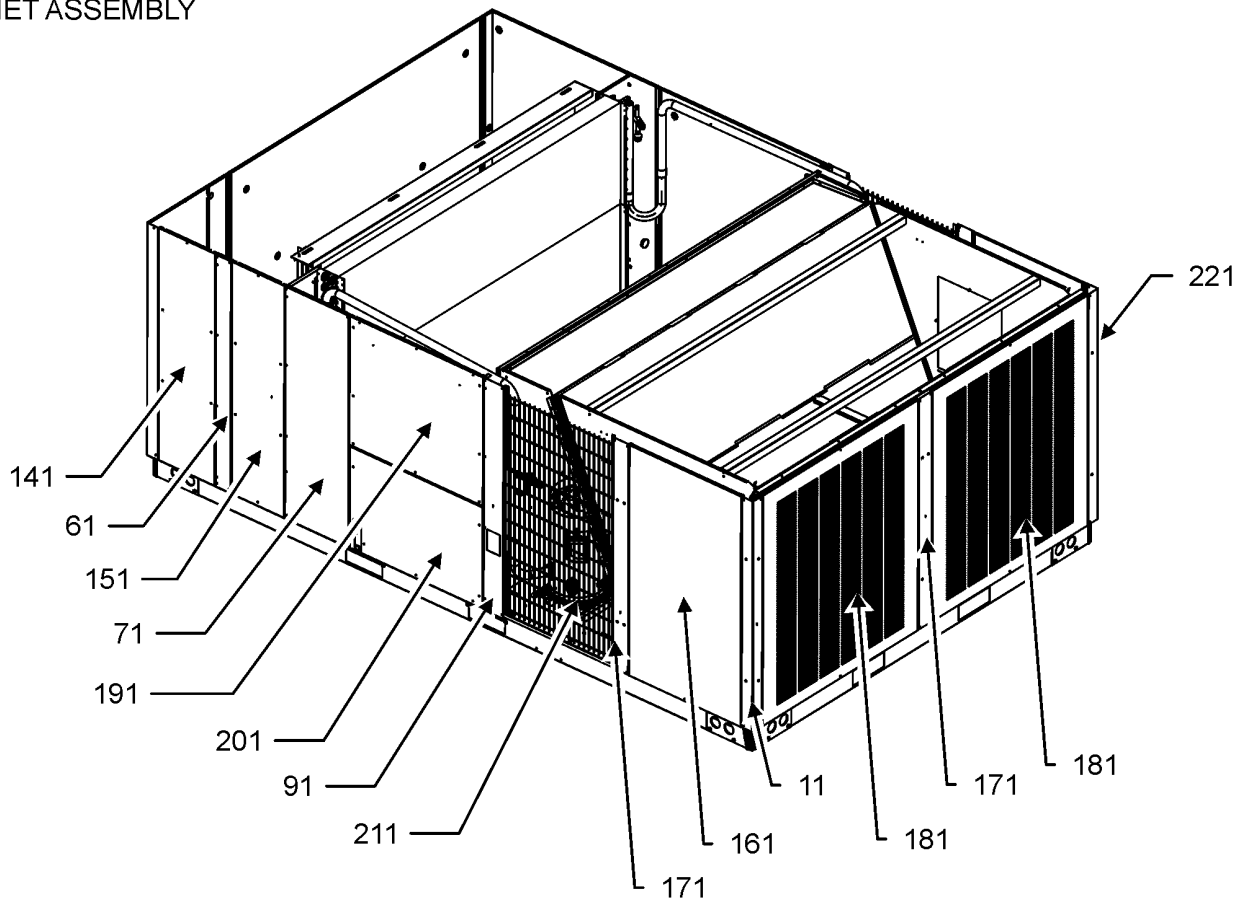
RP-FIOPLC*	ACCESSORY PART MANUAL
BDG-ILINQA	DAIKIN ILINQ BACNET DES GUIDE
QSG-ILINQA	DAIKIN ILINQ QUICK START GUIDE
UM-ILINQA	DAIKIN ILINQ USER MANUAL
RP-EHSBLC*	HEATER KIT MANUAL
RP-EHXDLC*	HEATER KIT MANUAL
RP-EHSDLC*	HEATER KIT MANUAL
RP-EHXBLC*	HEATER KIT MANUAL

Expanded Model Nomenclature

M1 - DBC2403VDDCAA
M2 - DBC2404VDDCAA
M3 - DBC2407VDDCAA

Cabinet Assembly

CABINET ASSEMBLY



Cabinet Assembly

Ref. Part No:	No:	Description:	Ref. Part No:	No:	Description:
---------------	-----	--------------	---------------	-----	--------------

Image 1:

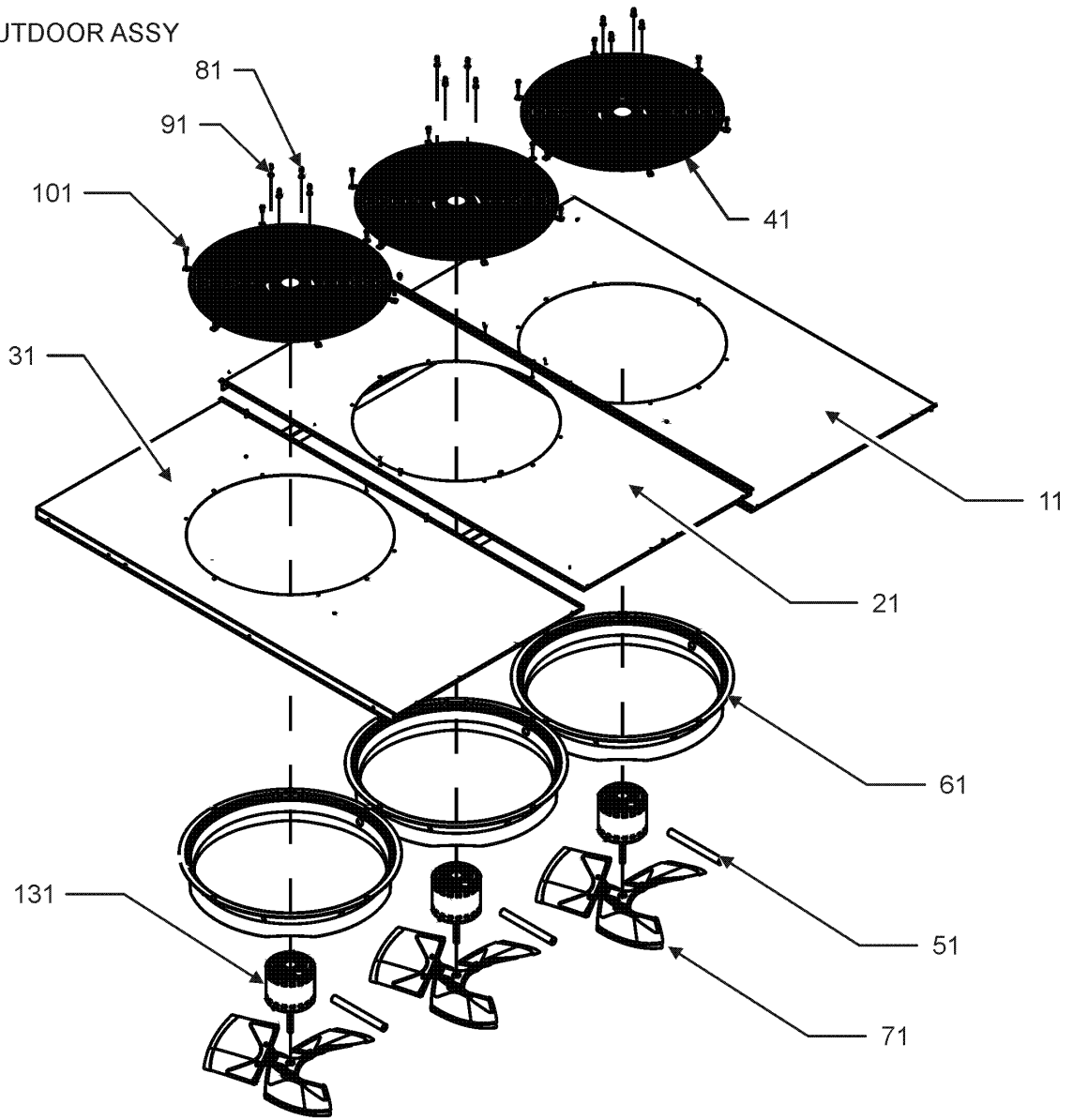
11	0121L01143SB	CORNER POST (QTY 2)			
21	0121L00681SB	EVAP PANEL			
51	0121L00679SB	CONTROL CORNER PANEL			
61	0121L02048SB	CONTROL/FILTER POST			
71	0121L00710SB	BLOWER DOOR POST			
81	0121L00903SB	POST-PARTITION, EVAP SIDE			
91	0121L00906SB	POST-PARTITION, (COOL) HT			
121	0121L00685SB	BLOWER DOOR, EVAP SIDE			
131	0121L00688SB	ACCESSORY PANEL			
141	0121L00687SB	PNT, DOOR-CONTROL			
151	0121L00686SB	FILTER DOOR			
161	0121L00907SB	PANEL-CONDENSER SIDE (QTY 2)			
171	0121L01144SB	POST, COND PANEL (QTY 3)			
181	0121L01174SB	PANEL-LOUVER, END (QTY 2)			
191	0121L00713SB	BLOWER DOOR GAS			
201	0121L00708SB	DOOR-ELECTRIC HEAT			
211	0152L00000	GRILLE-CONDENSER (QTY 2)			
221	0121L00476SB	PNT, TURNBUCKLE, DOOR (QTY 16)			
NS	M0204317	SCREW-MACH (QTY 16)			

Expanded Model Nomenclature

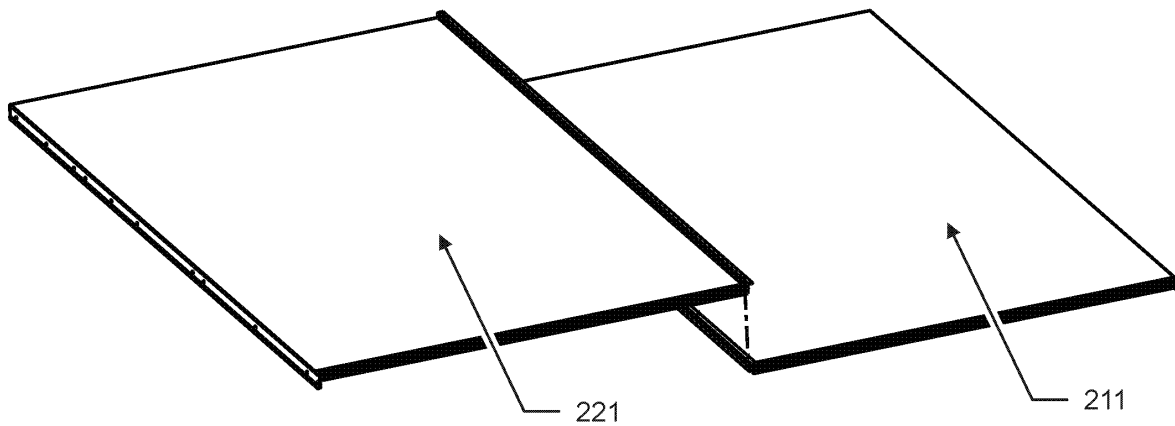
M1 - DBC2403VDDCAA
M2 - DBC2404VDDCAA
M3 - DBC2407VDDCAA

Top Panel Indoor/Outdoor Assembly

TOP PANEL OUTDOOR ASSY



TOP PANEL INDOOR ASSY



Top Panel Indoor/Outdoor Assembly

Ref. Part No:	Ref. Part No:	Description:	Description:
---------------	---------------	--------------	--------------

Image 1:

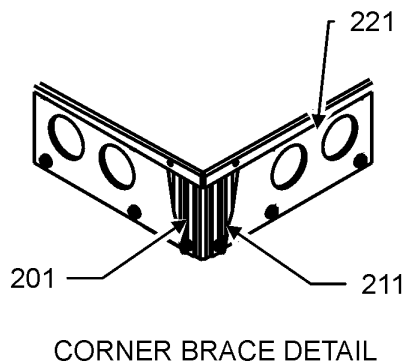
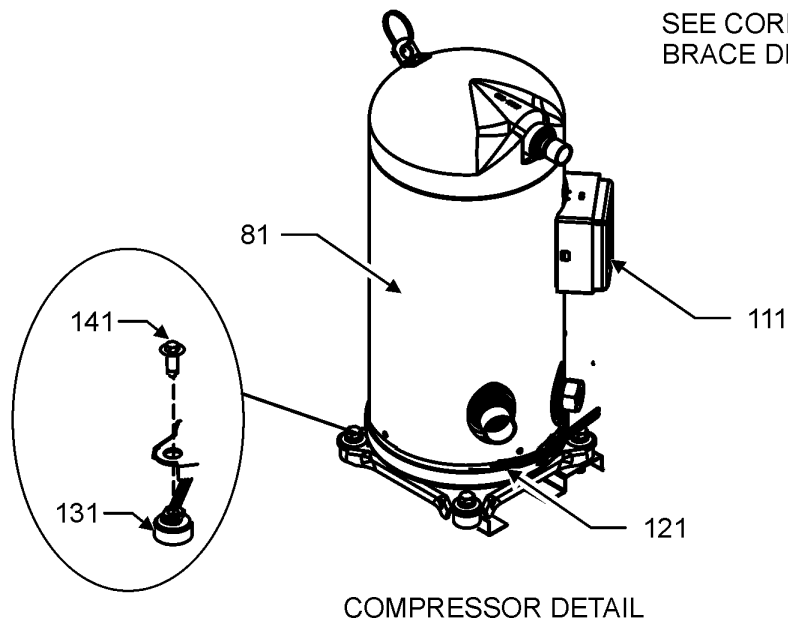
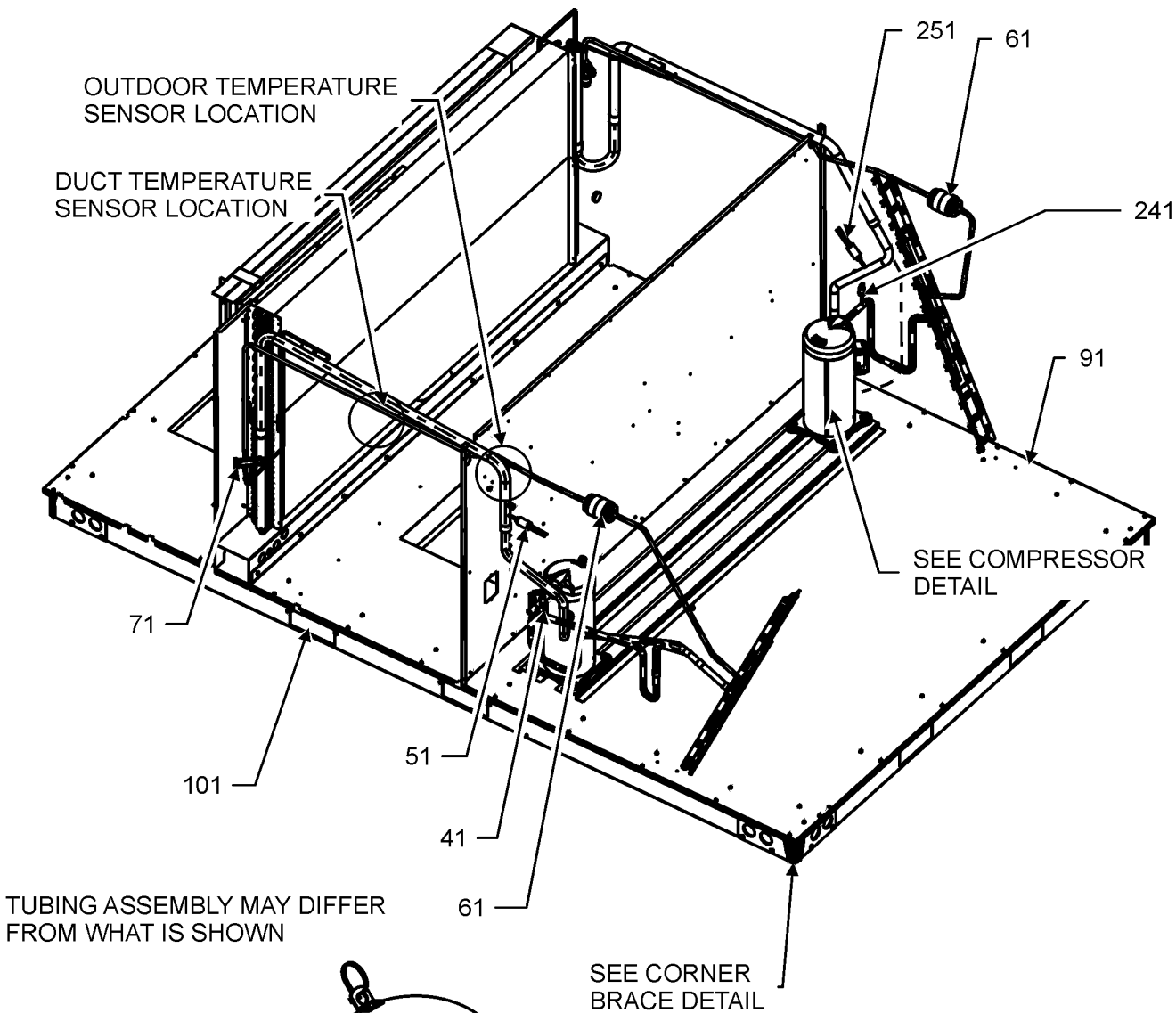
11	0121L01038SB	PNT, TOP-FAN, CONTROL SIDE
21	0121L01039SB	PNT, TOP-FAN, CENTER
31	0121L01040SB	PNT, TOP-FAN, EVAP SIDE
41	0152G00003	FAN GRILLE (QTY 3)
51	0161R00003P	CONDUIT (QTY 3)
61	0161L00000	VENTURI RING 22" (QTY 3)
71	10625733	FAN BLADE 22" ALUM CCW (QTY 3)
81	0163M00006P	ACORN NUT 5/16 HEX BLACK (QTY 12)
91	0163M00005P	WASHER BLACK (.50 OD .218ID) (QTY 12)
101	0163M00004	SCREW #10X3/4", BLACK (QTY 24)
131	0131M00907	MOTOR, HP, 1/3, OD (M2)
131	0131M00908	MOTOR, HP, 1/3, OD, LAK (M3)
131	0131M00906	MOTOR, HP, 1/3, SP, 1, PL, 6 (M1)
211	0121L00693SB	TOP, CONTROL SIDE
221	0121L00694SB	TOP, EVAP SIDE
NS	0163M00004	SCREW #10X3/4", BLACK (QTY 24)
NS	0163M00005P	WASHER BLACK (.50 OD .218ID) (QTY 12)
NS	M0272803	WASHER-LOCK (QTY 3)

Expanded Model Nomenclature

M1 - DBC2403VDDCAA
M2 - DBC2404VDDCAA
M3 - DBC2407VDDCAA

Tubing Assembly

TUBING ASSEMBLY



Tubing Assembly

Ref. Part No: No:	Description:	Ref. Part No: No:	Description:
-------------------	--------------	-------------------	--------------

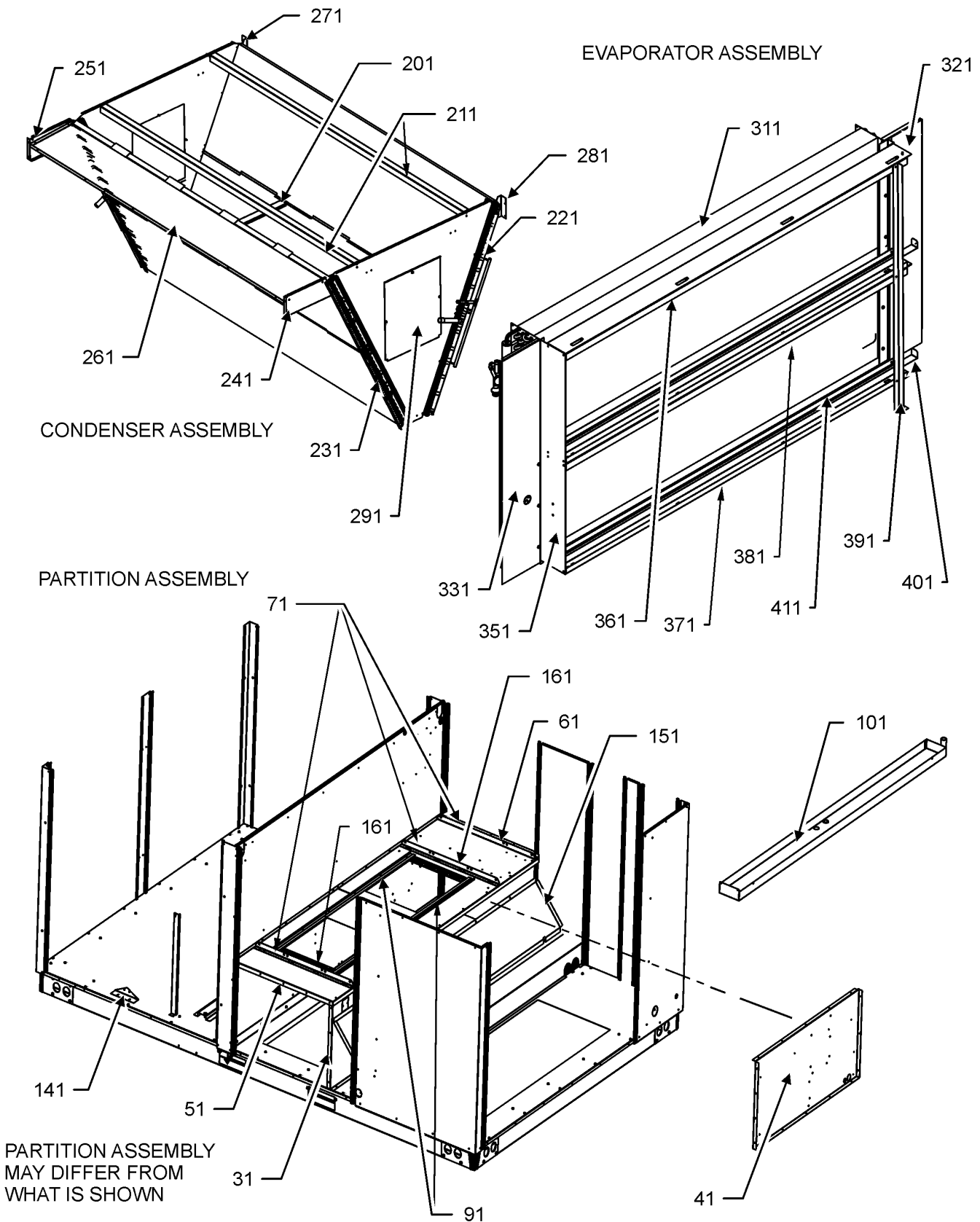
Image 1:

41	0130M00074	HIGH PRESSURE SWITCH
51	0130M00087	LOW PRESSURE SWITCH
61	0151M00012	BI-FLOW FILTER DRIER
71	0151L00011	VALVE, TXV R-410A
81	ZP122KCETFD155	COMP, 124000, 460/60/3 (M2)
81	ZP122KCETFE155	COMP, 124000, 575/60/3 (M3)
81	ZP122KCETF5250	COMP,124000, 200/230/60/3 (M1)
91	0121L00720	SIDE RAIL
101	0121L00719	CONTROL SIDE BASE RAIL
111	0159L00072	Harness, comp scroll (M2, M3)
111	0159L00073	Harness, comp scroll (M2, M3)
111	0159L00048	HARNES-COMPRESSOR (M1)
111	0159L00049	HARNES-COMPRESSOR (M1)
121	0130L00019	CRANK CASE HEATER, 70W, 575V (M3)
121	0130L00017	CRANK CASE HEATER-70W 240V (M1)
121	0130L00018	CRANK CASE HEATER-70W, 480V (M2)
131	0164M00018	COMPRESSOR GROMMET (QTY 8)
141	B1393740	COMPRESSOR BOLT & SLEEVE (QTY 8)
201	0121L00616	RAIL BRACE ANGLE, RIGHT (QTY 4)
211	0121L00617	RAIL BRACE ANGLE, LEFT (QTY 4)
221	0121L00723	BASE RAIL CORNER BRACE (QTY 4)
241	0130M00074	HIGH PRESSURE SWITCH
251	0130M00087	LOW PRESSURE SWITCH
NS	0121L00722	BASE RAIL, ACCESSORY END
NS	0121L00721	BASE RAIL, CONDENSER END (QTY 2)
NS	0163M00175	CAP WITH O-RING (QTY 4)
NS	0121L00625	COMPRESSOR RAIL BRACKET (QTY 4)
NS	0130L00228	DUCT TEMP SENSOR
NS	0141L00029	FORK BOARD (QTY 2)
NS	0121L00724	FORK BOARD BRACKET (QTY 4)
NS	0121L00605	FORK BOARD PLATE
NS	0130L00227	OUTDOOR AIR TEMP SENSOR

Expanded Model Nomenclature

M1 - DBC2403VDDCAA
M2 - DBC2404VDDCAA
M3 - DBC2407VDDCAA

Condenser, Evaporator and Partition Assy



Condenser, Evaporator and Partition Assy

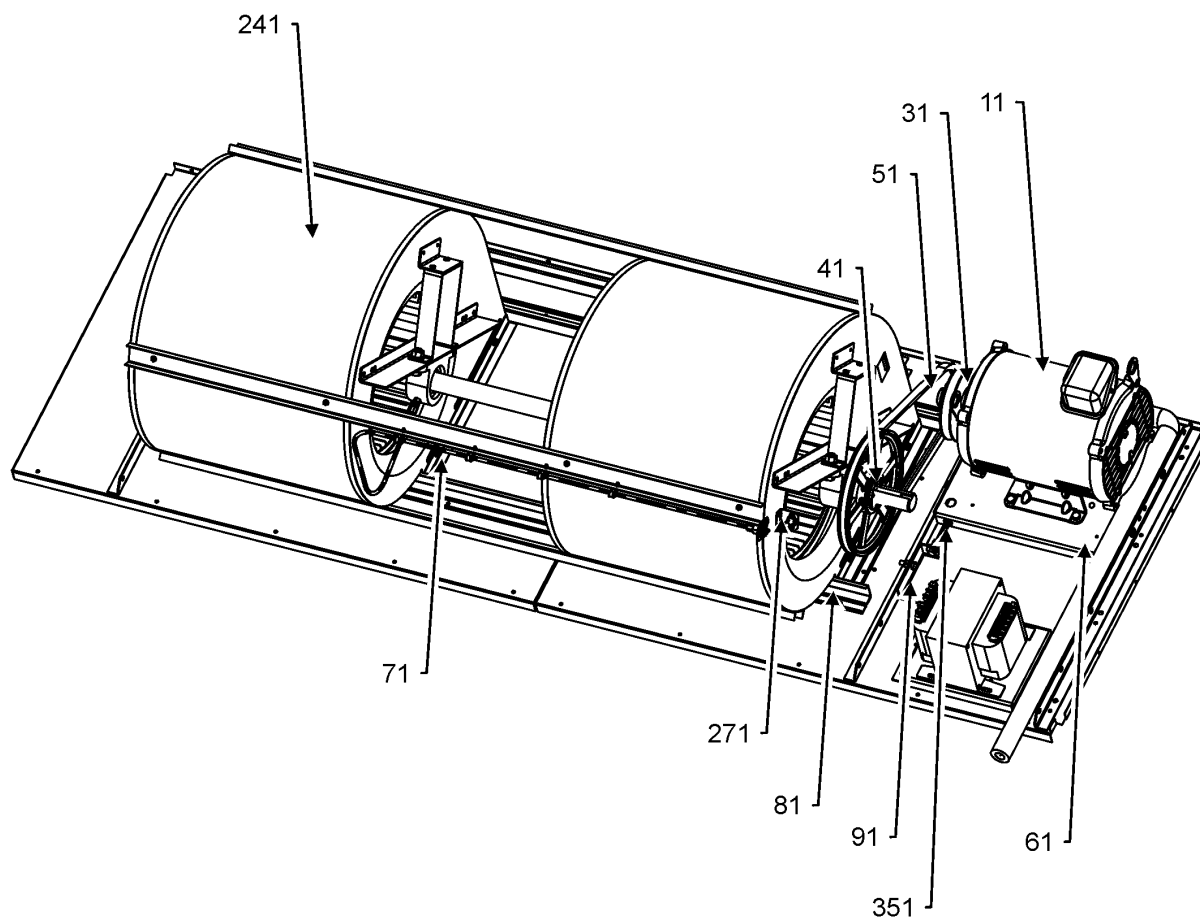
Ref. Part No: No:	Description:	Ref. Part No: No:	Description:
Image 1:			
31	0121L01163		DECK, SIDE DUCT END
41	0121L01162		DECK, SIDE HEAT END
51	0121L01160		DECK, BLOWER EVAP SIDE
61	0121L01061		DECK-BLOWER, MOTOR END
71	0121L01431		MOTOR MOUNT ANGLE (QTY 3)
91	0121L00478		BLOWER DECK RAIL (QTY 2)
101	0270L00612DG		DRAIN PAN
141	0121L00913		BRACKET-COND/BASEPAN (QTY 2)
151	0121L01158		SHIELD, BLOWOFF
161	0121L00481		BLOWER RAIL (QTY 2)
201	0121L00901		BRACE-COND COILS (QTY 2)
211	0121L01037		ANGLE, TOP BRACE (QTY 2)
221	0201L00151		CONDENSER COIL ASSY C1
231	0201L00152		CONDENSER COIL ASSY C2
241	0121L01154		BRACKET, CONDENSER END C1
251	0121L01156		BRACKET, CONDENSER END C2
261	0121L00572		CONDENSER BLOCKOFF, INSIDE TOP
271	0121L01155		BRACKET, COND/POST C1
281	0121L01153		BRACKET, COND/POST C2
291	0121L00910		COVER-COIL CLEANING (QTY 2)
311	0202L00047		EVAPORATOR COIL ASSY
321	0121L00698		EVAPORATOR BLOCKOFF PANEL
331	0121L00848		PANEL-EVAPORATOR, SMOKE DET
351	0121L00933		ANGLE-FILTER, LEFT VERTICAL
361	0121L01180		TOP ANGLE FILTER
371	0121L01179		BOTTOM FILTER RACK
381	0270L00658		CENTER FILTER RACK
391	0121L04205		SUPPORT ANGLE-FILTER
401	0121L00640		FILTER PULL (QTY 2)
411	0121L00703		BOTTOM BLOCKOFF, FILTER RACK
NS	0160L00137		FILTER, 20 X 25 X 2, STANDARD (QTY 6)
NS	0164G00004		GROMMET HORSESHOE 1.75 (QTY 2)
NS	0121L00321		SMOKE DETECTOR COVER

Expanded Model Nomenclature

M1 - DBC2403VDDCAA
M2 - DBC2404VDDCAA
M3 - DBC2407VDDCAA

Blower Motor Assembly

BLOWER ASSEMBLY



BLOWER ASSEMBLY MAY DIFFER FROM WHAT IS SHOWN

Blower Motor Assembly

Ref. Part No:	No:	Description:	Ref. Part No:	No:	Description:
---------------	-----	--------------	---------------	-----	--------------

Image 1:

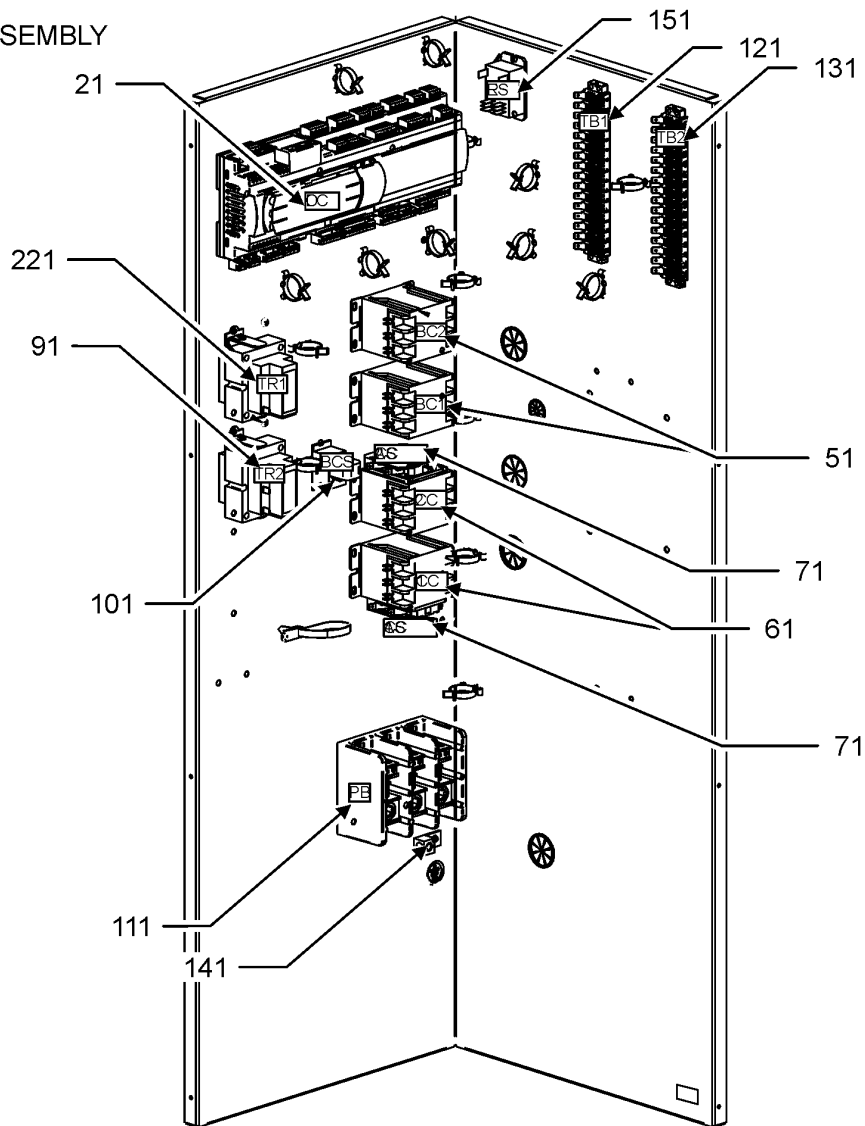
11	0131L00025	MOTOR, 5 HP BELT DRIVE 230V (M1)
11	0131L00031	MOTOR, 5 HP BELT DRIVE 460 V (M2)
11	0131L00028	MOTOR, 5 HP BELT DRIVE 575 V (M3)
31	0163L00052	SHEAVE-VARIABLE PITCH
41	0163L00139	SHEAVE, FIXED BK100H
51	0164L00013	FAN BELT-NOTCHED
61	0121L01430	BASE, MOTOR
71	0121L00482	BLOWER SIDE ANGLE (QTY 4)
81	0121L00479	RAIL-BLOWER (QTY 2)
91	0121L01429	BRACKET, DRIVE SCREW
241	04-01542	BLOWER HOUSING
271	0121L00053	BRACKET FLAME ROLLOUT
351	0163M00351	BOLT, 3/8-16-6
NS	04-02197	BEARING&FRAME ASSY
NS	04-11552	BLOWER SHAFT
NS	04-78499	BLOWER WHEEL

Expanded Model Nomenclature

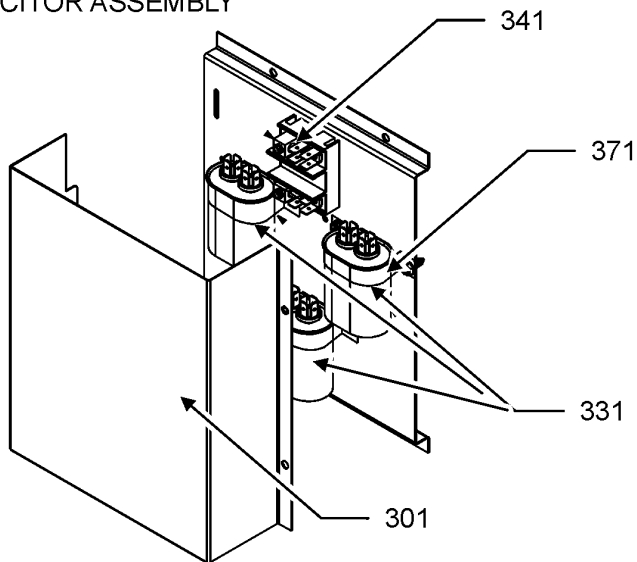
M1 - DBC2403VDDCAA
M2 - DBC2404VDDCAA
M3 - DBC2407VDDCAA

Control Panel Assembly

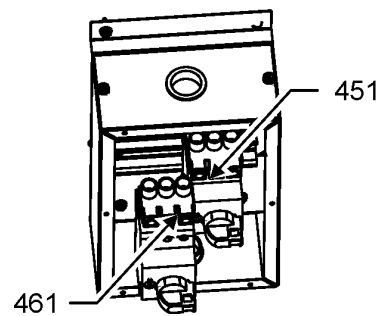
CONTROL PANEL ASSEMBLY



CAPACITOR ASSEMBLY



CIRCUIT BREAKER ASSEMBLY



Control Panel Assembly

Ref. Part No:	Part No:	Description:	Ref. Part No:	Part No:	Description:
---------------	----------	--------------	---------------	----------	--------------

Image 1:

21	0130M00579	DDC CONTROLLER 39IO			
51	CONT3P030024V	CONT 3 POLE 30 AMP 24 VAC (QTY 2)			
61	CONT3P030024V	CONT 3 POLE 30 AMP 24 VAC (QTY 2)			
71	0130M00249	AUXILLARY SWITCH (QTY 2)			
91	0130M00598	TRANSFMR, 75VA, 575V TO 24V (M3)			
91	0130M00594	TRANSFORMER (M1)			
91	0130M00595	TRANSFORMER, 75VA, 480V TO 24V (M2)			
101	0259L00368	CURRENT SWITCH WITH TERMS			
111	0130M00042	POWER BLOCK			
121	0130M00414	TERMINAL BOARD			
131	0130M00415	TERMINAL BOARD			
141	0130L00005	GROUND LUG			
151	0130M00178	DPDT RELAY 24 VAC			
221	0130L00205	TRANSFORMER (M1)			
221	0130L00206	TRANSFORMER (M2)			
221	0130L00207	TRANSFORMER (M3)			
301	0121L03808	COVER, CAPACITOR			
331	CAP100000370LA	CAPACITOR 10/370V (M1)			
331	CAP050000440LA	CAPACITOR 5/440V (M2, M3)			
341	B1368250	TERMINAL BLOCK (HIGH VOLTAGE)			
371	20520901	CAPACITOR STRAP (QTY 3)			
451	0130L00082	ROTARY MANUAL MOTOR PROTECTOR (M2, M3)			
451	0130L00084	ROTARY MANUAL MOTOR PROTECTOR (M1)			
461	0130L00082	ROTARY MANUAL MOTOR PROTECTOR (M2)			
461	0130L00083	ROTARY MANUAL MOTOR PROTECTOR (M3)			
461	0130L00085	ROTARY MANUAL MOTOR PROTECTOR (M1)			
NS	B821700	BOOT, CAPACITOR			
NS	BDG-ILINQA	DAIKIN ILINQ BACNET DES GUIDE			
NS	QSG-ILINQA	DAIKIN ILINQ QUICK START GUIDE			
NS	UM-ILINQA	DAIKIN ILINQ U SER MANUAL			
NS	0130L00252	PROGRAM, APP, CONTROLLER, DDC			
NS	0130L00226	SPACE TEMPERATUR E SENSOR			

Expanded Model Nomenclature

M1 - DBC2403VDDCAA
M2 - DBC2404VDDCAA
M3 - DBC2407VDDCAA

ACCESSORY PARTS LIST

NOTE: NOT ALL OPTIONS AVAILABLE FOR ALL PRODUCTS

FOR ACCESSORY PARTS SEE THE FOLLOWING PART MANUAL

RP-FIOPLC*

RP-EHS[D/B]LC*

RP-EHX[D/B]LC*

ACCESSORY PARTS LIST

Ref. Part No:	No:	Description:	Ref. Part No:	No:	Description:
---------------	-----	--------------	---------------	-----	--------------

Image 1:

NS	RP-FIOPLC*	ACCESSORY PART MANUAL
NS	RP-EHSBLC*	HEATER KIT MANUAL
NS	RP-EHSDLC*	HEATER KIT MANUAL
NS	RP-EHXBLC*	HEATER KIT MANUAL
NS	RP-EHXDLC*	HEATER KIT MANUAL

Expanded Model Nomenclature

M1 - DBC2403VDDCAA
M2 - DBC2404VDDCAA
M3 - DBC2407VDDCAA