

Commercial 20 Ton 2-Speed Package Cooling Unit

DBC2403SAA
DBC2403VAA
DBC2404SAA
DBC2404VAA
DBC2407SAA
DBC2407VAA



This manual is to be used by qualified technicians only.

Important Information

Index

Functional Parts List	3
Illustration and Parts	4 - 17

Views shown are for parts illustrations only, not servicing procedures

Text Codes:

AR - As Required

NA - Not Available

NS - Not Shown

00000000 - See Note

QTY - Quantity Example (QTY 3) (If Quantity not shown, Quantity = 1)

M - Model Example (M1) (If M Code not shown, then part is used on all Models)

Expanded Model Nomenclature:

Example M1 - Model#1 M2 - Model#2 M3 - Model#3

Daikin Company, L.P. is not responsible for personal injury or property damage resulting from improper service. Review all service information before beginning repairs.

Warranty service must be performed by an authorized technician, using authorized factory parts. If service is required after the warranty expires, Daikin Company, L.P. also recommends contacting an authorized technician and using authorized factory parts.

Daikin Company, L.P. reserves the right to discontinue, or change at any time, specifications or designs without notice or without incurring obligations.

For assistance within the U.S.A. contact:

Equipment Support
Daikin North America, LLC
19001 Kermier Road
Waller, Texas 77484
855-770-5678-Telephone
713-863-2382-Facsimile

For assistance outside the U.S.A. contact:

International Division
Daikin North America, LLC
19001 Kermier Road
Waller, Texas 77484
713-861-2500-Telephone
713-863-2382-Facsimile

Functional Parts

Part

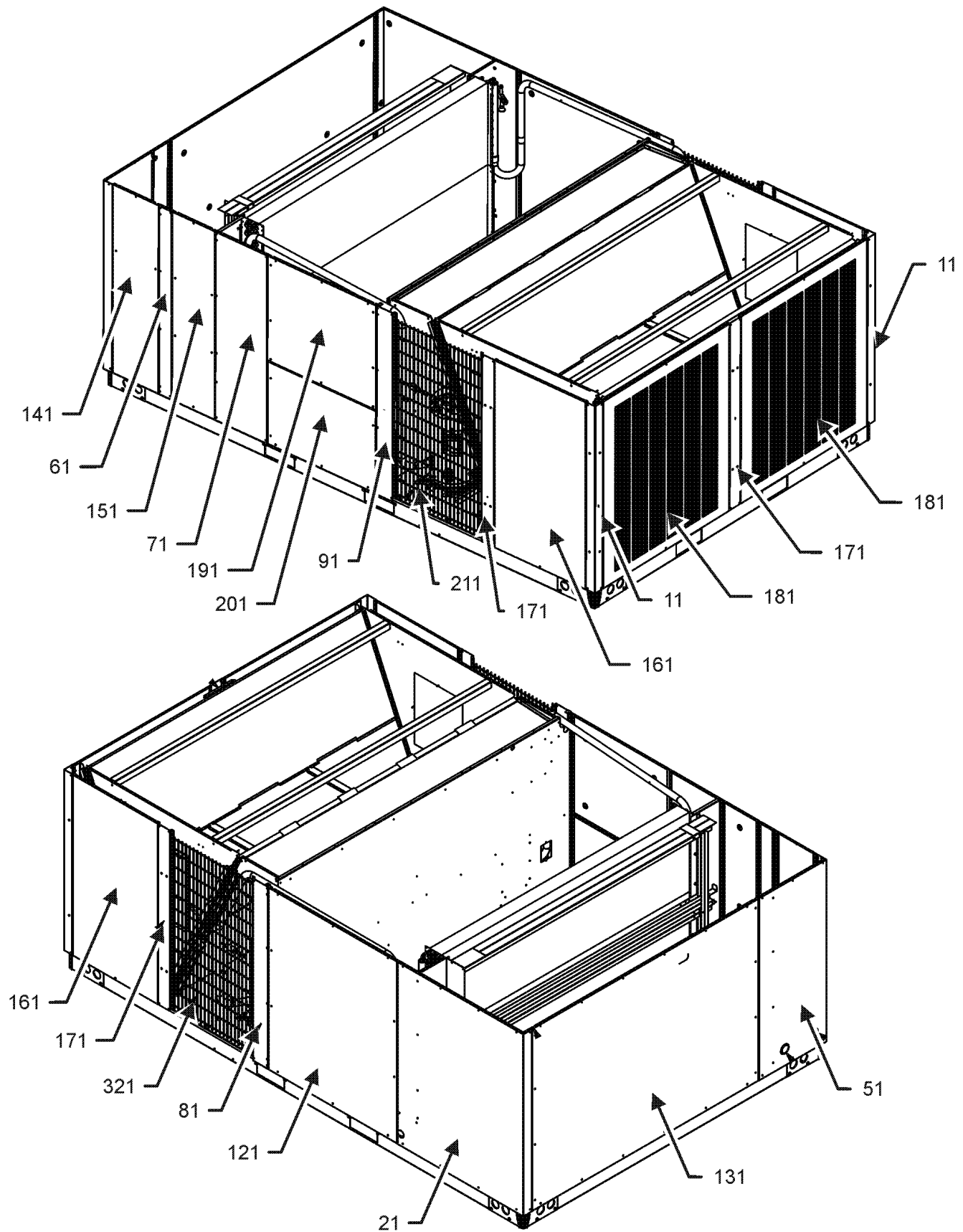
No: Description:

0271L00027	150-12R BD 1.18 TWIN BLOWER
0130M00242	24V RELAY (QTY 2)
0130M00025	24V RELAY (QTY 2)
CAP100000370LA	CAPACITOR 10/370V (M1, M2, M3, M4)
ZP122KCETFD155	COMP, 124000, 460/60/3 (M3, M4)
ZP122KCETFE155	COMP, 124000, 575/60/3 (M5, M6)
ZP122KCETF5250	COMP, 124000, 200/230/60/3 (M1, M2)
CONT3P030024V	CONTACTOR 30 AMP, 3P, 24V (QTY 2)
0130L00019	CRANK CASE HEATER, 70W, 575V (M5, M6)
0130L00017	CRANK CASE HEATER-70W 240V (M1, M2)
0130L00018	CRANK CASE HEATER-70W, 480V (M3, M4)
0130M00074	CUT-OUT SWITCH, HIGH PRESSURE (QTY 2)
0130M00087	CUT-OUT SWITCH, LOW PRESSURE (QTY 2)
0164L00006	FAN BELT, NOTCHED (M1, M3, M5)
0164L00013	FAN BELT-NOTCHED (M2, M4, M6)
10625733	FAN BLADE 22" ALUM CCW (QTY 3)
0131L00025	MOTOR, 5 HP BELT DRIVE 230V (M2)
0131L00031	MOTOR, 5 HP BELT DRIVE 460 V (M4)
0131L00028	MOTOR, 5 HP BELT DRIVE 575 V (M6)
0131L00119	MOTOR, 7.5 H.P. (M5)
0131L00118	MOTOR, 7.5 H.P. (M3)
0131L00117	MOTOR, 7.5 H.P. (M1)
0131M00906	MOTOR, HP, 1/3, SP, 1, PL, 6 (M1, M2)
PCBFM103	PCB, TIME DELAY, EBTDR
10135604	RELAY (QTY 2)
0130M00038	TERMINAL BOARD
0130L00205	TRANSFORMER (M1, M2)
0130L00206	TRANSFORMER (M3, M4)
0130L00207	TRANSFORMER (M5, M6)

Expanded Model Nomenclature

M1 - DBC2403SAA
M2 - DBC2403VAA
M3 - DBC2404SAA
M4 - DBC2404VAA
M5 - DBC2407SAA
M6 - DBC2407VAA

Cabinet Assembly



Cabinet Assembly

Ref. Part No:	No:	Description:	Ref. Part No:	No:	Description:
---------------	-----	--------------	---------------	-----	--------------

Image 1:

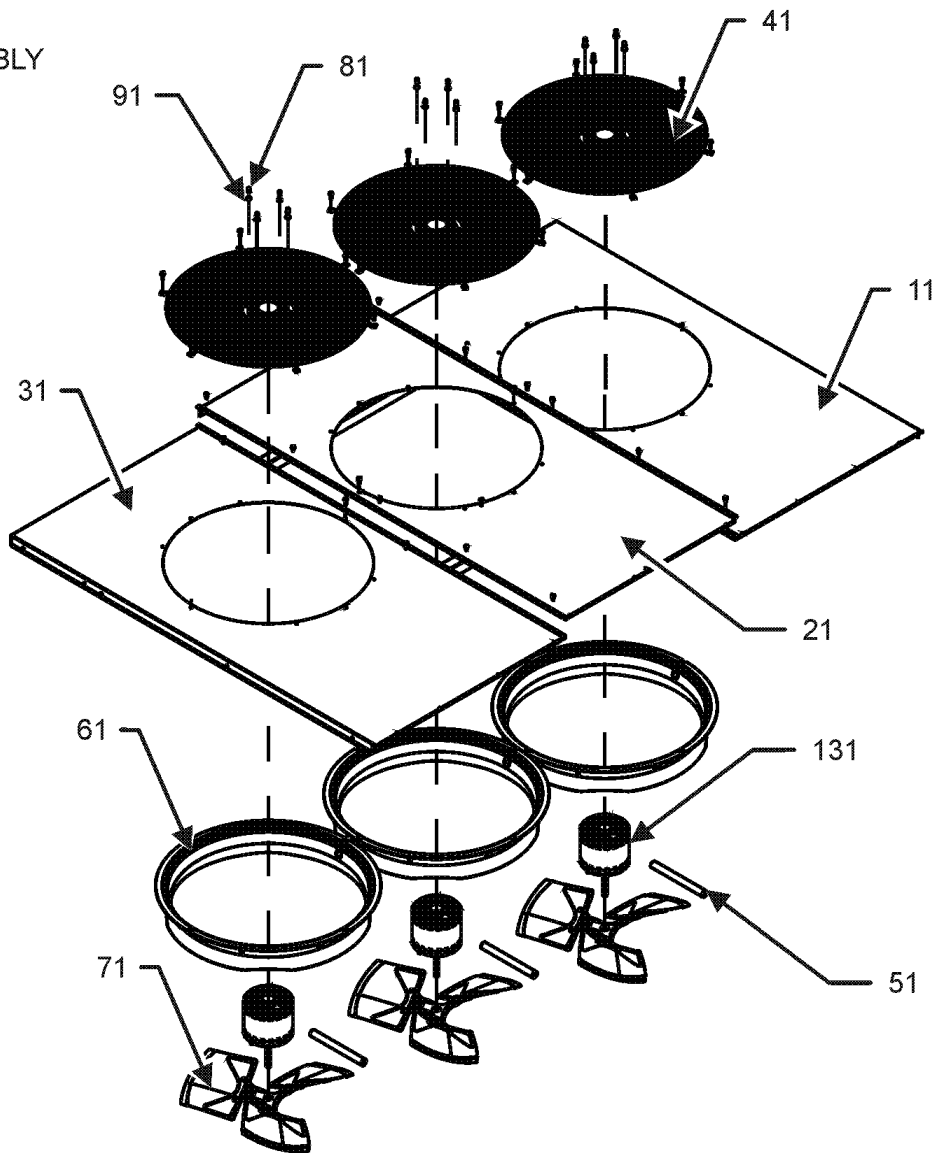
11	0121L01143SB	POST, CORNER (QTY 2)
21	0121L00681SB	PAINTED EVAP PANEL
51	0121L00679SB	CONTROL CORNER PANEL
61	0121L02048SB	PNT, POST-CONTROL /FILTER
71	0121L00710SB	POST/BLOWER DOOR
81	0121L00903SB	POST PARTITION-EVAP SIDE
91	0121L00906SB	POST-PARTITION, (COOL) HT
121	0121L00685SB	BLOWER DOOR-EVAP SIDE
131	0121L00688SB	ACCESSORY PANEL
141	0121L00687SB	CONTROL DOOR
151	0121L00686SB	FILTER DOOR
161	0121L00907SB	PANEL-COND SIDE (QTY 2)
171	0121L01144SB	POST, COND PANEL (QTY 3)
181	0121L01174SB	PANEL, LOUVER END PNT (QTY 2)
191	0121L00713SB	BLOWER DOOR-GAS SIDE
201	0121L00708SB	DOOR-ELECTRIC HEAT
211	0152L00000	GRILLE-CONDENSER (QTY 2)
NS	M0204317	SCREW-MACHINE (QTY 16)
NS	0121L00476SB	TURNBUCKLE DOOR (QTY 16)

Expanded Model Nomenclature

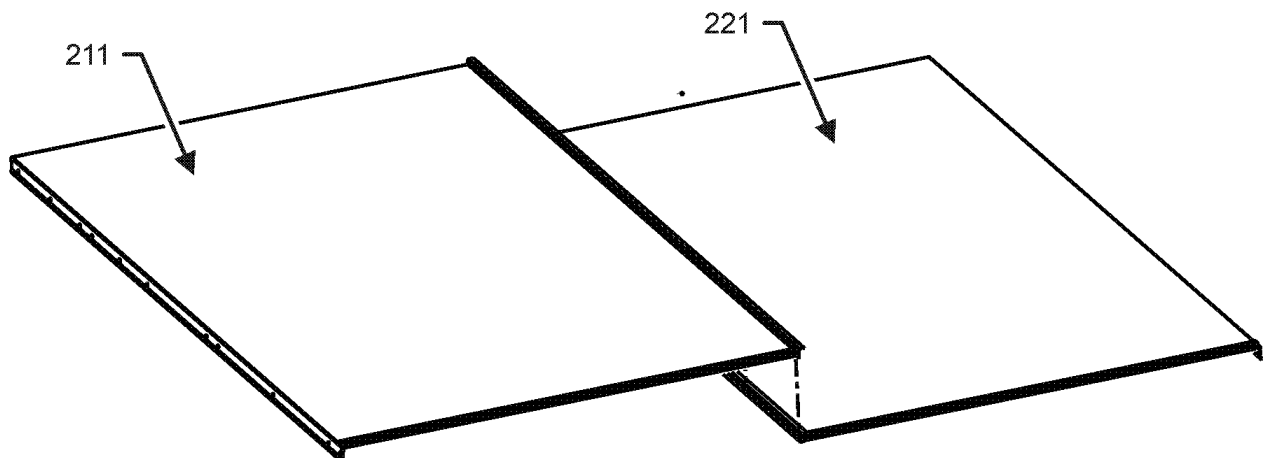
- | |
|-----------------|
| M1 - DBC2403SAA |
| M2 - DBC2403VAA |
| M3 - DBC2404SAA |
| M4 - DBC2404VAA |
| M5 - DBC2407SAA |
| M6 - DBC2407VAA |

Top Panel Assembly

TOP PANEL OUTDOOR ASSEMBLY



TOP PANEL INDOOR ASSEMBLY



Top Panel Assembly

Ref. Part No:	No:	Description:	Ref. Part No:	No:	Description:
---------------	-----	--------------	---------------	-----	--------------

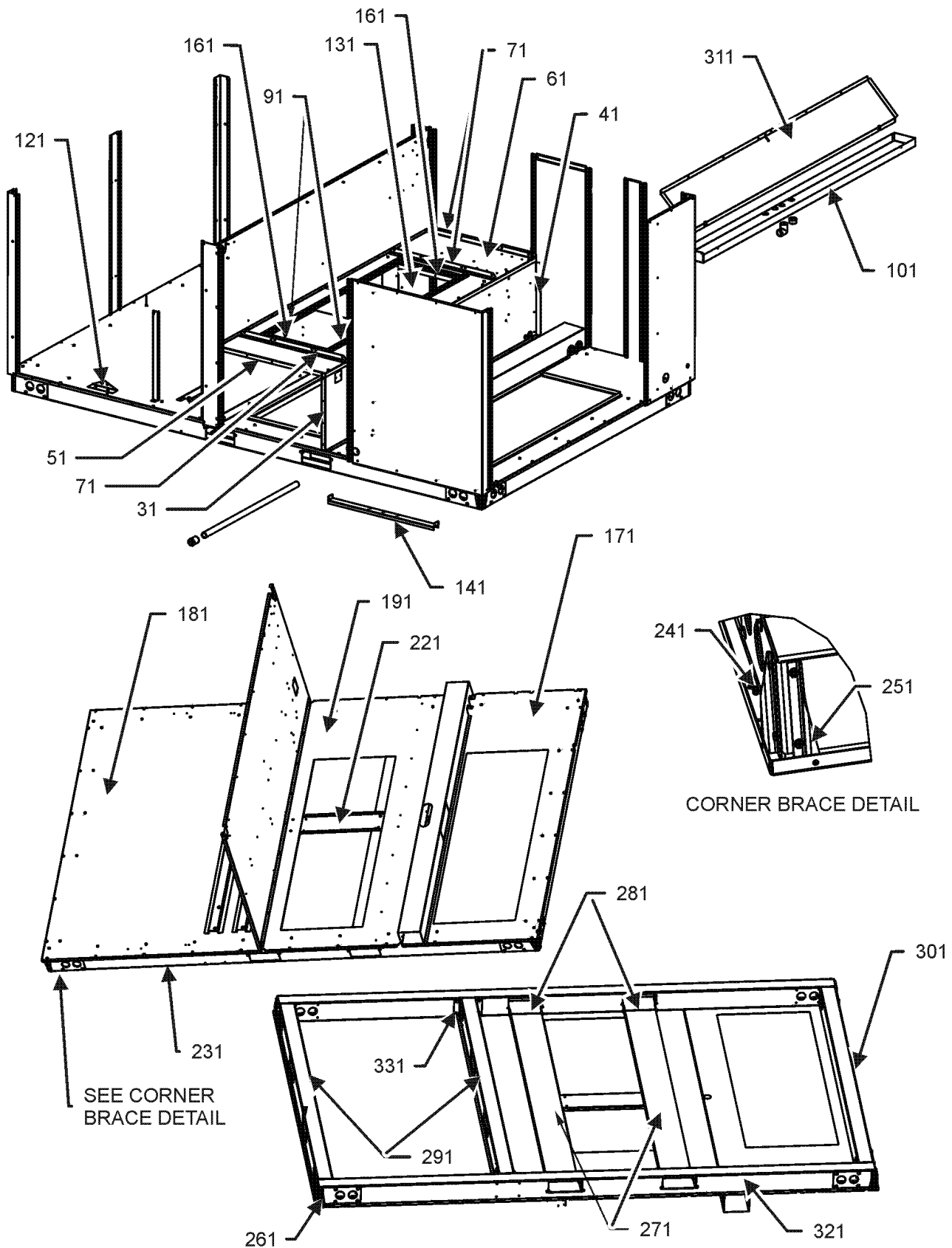
Image 1:

11	0121L01038SB	TOP-FAN,CONTROL SIDE
21	0121L01039SB	TOP-FAN, CENTER
31	0121L01040SB	TOP-FAN, EVAP SIDE
41	0152G00003	FAN GRILLE (QTY 3)
51	0161R00003P	CONDUIT (QTY 3)
61	0161L00000	VENTURI RING 22" (QTY 3)
71	10625733	FAN BLADE 22" ALUM CCW (QTY 3)
81	0163M00006P	ACORN NUT 5/16 HEX BLACK (QTY 12)
91	0163M00005P	WASHER, BLACK (.50 OD .218ID) (QTY 12)
131	0131M00907	MOTOR, HP, 1/3, OD (M3, M4)
131	0131M00908	MOTOR, HP, 1/3, OD, LAK (M5, M6)
131	0131M00906	MOTOR, HP, 1/3, SP, 1, PL, 6 (M1, M2)
211	0121L00693SB	TOP-CONTROL SIDE
221	0121L00694SB	TOP PANEL ASSY
NS	0163M00004	SCREW #10X3/4", BLACK (QTY 2)
NS	0163M00005P	WASHER BLACK (.50 OD .218ID) (QTY 12)

Expanded Model Nomenclature

M1 - DBC2403SAA
M2 - DBC2403VAA
M3 - DBC2404SAA
M4 - DBC2404VAA
M5 - DBC2407SAA
M6 - DBC2407VAA

Partition Assembly



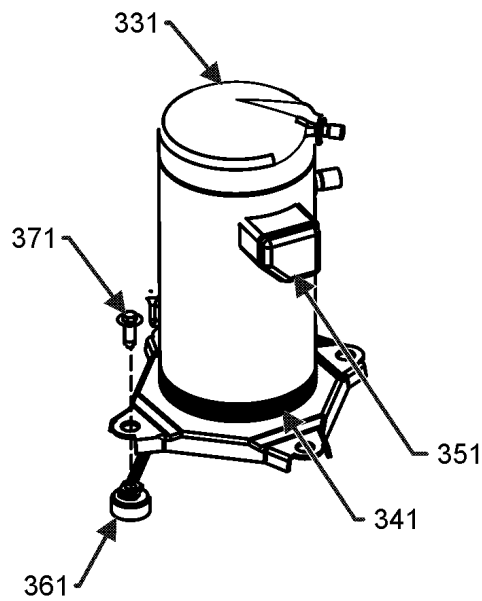
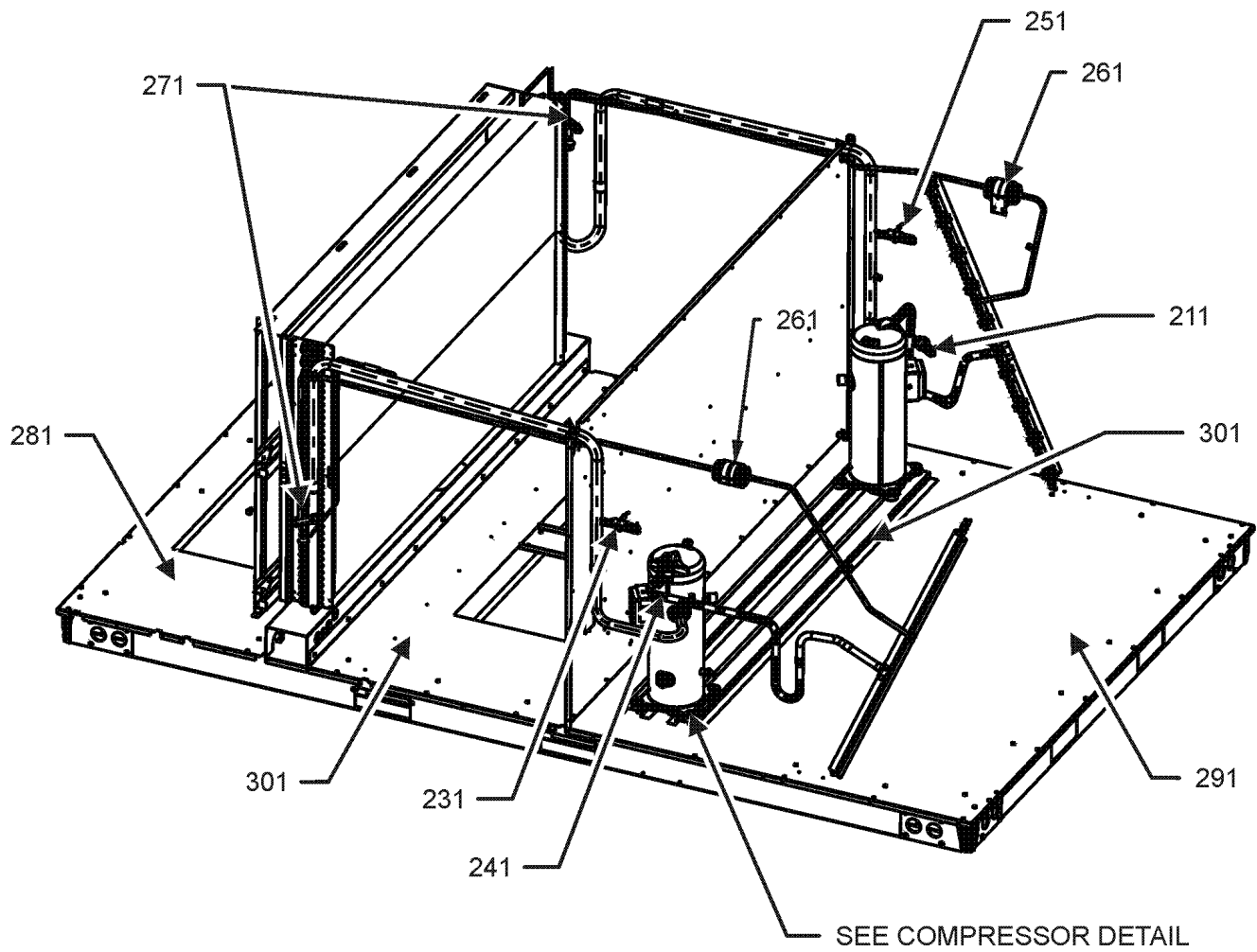
Partition Assembly

Ref. Part No:	Part No:	Description:	Ref. Part No:	Part No:	Description:
Image 1:					
31	0121L01163	DECK, SIDE DUCT END			
41	0121L01162	DECK, SIDE HEAT END			
51	0121L01160	BLOWER DECK, EVAP SIDE			
61	0121L01161	BLOWER DECK, MOTOR SIDE (M2, M4, M6)			
61	0121L01061	DECK-BLOWER, MOTOR END (M1, M3, M5)			
71	0121L01431	ANGLE, MOTOR MOUNT (QTY 3)			
91	0121L00478	BLOWER DECK RAIL (QTY 2)			
101	0121L01130	DRAIN PAN, EVAPORATOR			
121	0121L00913	BRACKET-COND/BASEPAN (QTY 2)			
131	0121L00591	ELECTRIC HEAT MOUNTING PLATE			
141	0121L00592	ELECTRIC HEAT SUPPORT			
161	0121L00481	BLOWER RAIL (QTY 2)			
171	0121L00947	BASEPAN, RETURN SIDE			
181	0121L00902	BASEPAN, OUTDOOR			
191	0121L00948	BASE PAN-SUPPLY			
221	0121L00605	FORK BOARD PLATE			
231	0121L00720	SIDE RAIL			
241	0121L00616	RAIL BRACE ANGLE, RIGHT (QTY 4)			
251	0121L00617	RAIL BRACE ANGLE, LEFT (QTY 4)			
261	0121L00723	BASE RAIL CORNER BRACE (QTY 4)			
271	0141L00029	FORK BOARD (QTY 2)			
281	0121L00724	FORK BOARD BRACKET (QTY 4)			
291	0121L00721	BASE RAIL, CONDENSER END (QTY 2)			
301	0121L00722	BASE RAIL, ACCESSORY END			
311	0121L01158	SHIELD, BLOWOFF			
321	0121L00719	CONTROL SIDE BASE RAIL			
331	0121L00625	COMPRESSOR RAIL BRACKET (QTY 4)			
NS	0121L00593	FLUE HOLE COVER			
NS	0164G00004	GROMMET-HORSESHOE 1.75 (QTY 2)			
NS	0121L00321	SMOKE DETECTOR COVER			

Expanded Model Nomenclature

M1 - DBC2403SAA
M2 - DBC2403VAA
M3 - DBC2404SAA
M4 - DBC2404VAA
M5 - DBC2407SAA
M6 - DBC2407VAA

Basepan / Compressor / Tubing Assembly



COMPRESSOR DETAIL

TUBING ASSEMBLY MAY DIFFER FROM WHAT IS SHOWN

FOR HOT GAS REHEAT TUBING ASSEMBLY SEE ACCESSORY PAGES

Basepan / Compressor / Tubing Assembly

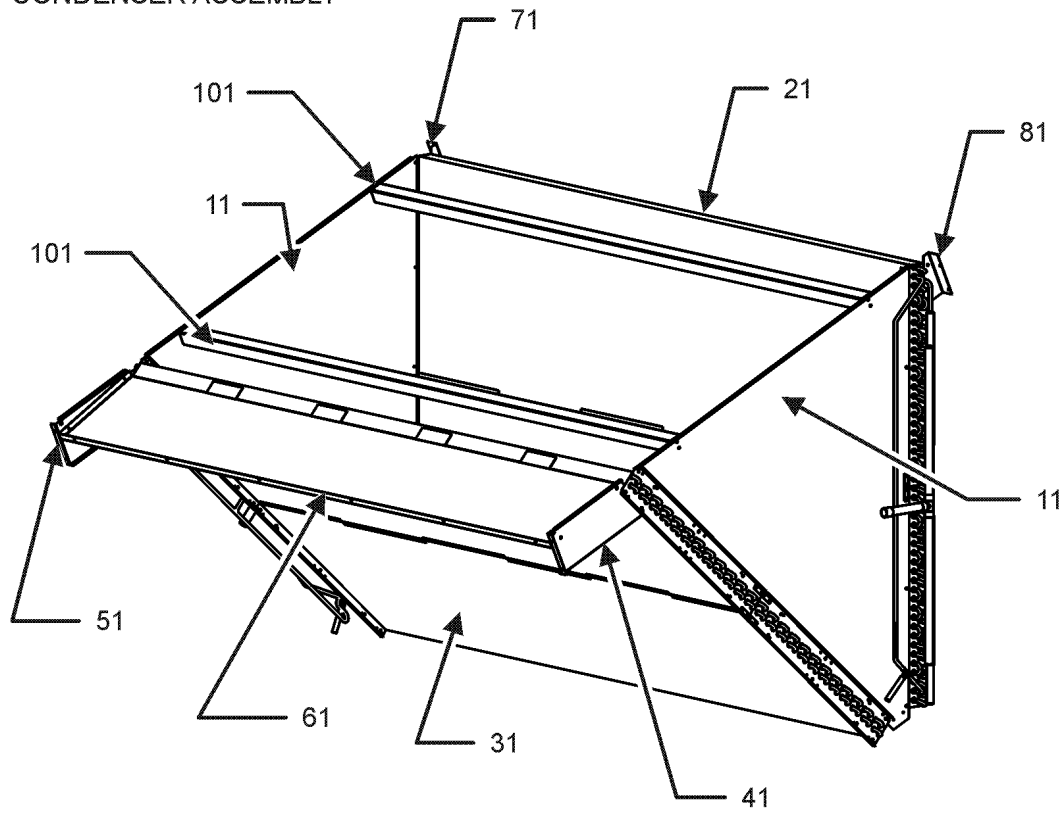
Ref. Part No:	Ref. Part No:	Description:	Description:
Image 1:			
211	0130M00074	CUT-OUT SWITCH, HIGH PRESSURE	
231	0130M00087	CUT-OUT SWITCH, LOW PRESSURE	
241	0130M00074	CUT-OUT SWITCH, HIGH PRESSURE	
251	0130M00087	CUT-OUT SWITCH, LOW PRESSURE	
261	0151M00012	BI-FLOW FILTER DRIER	
271	0151L00011	VALVE, TXV R-410A (QTY 8)	
281	0270L00189	BASEPAN WELDMENT, RETURN SIDE	
291	0270L00336	BASEPAN WELD, OUTDOOR	
301	0121L00948	BASE PAN-SUPPLY	
321	0121L00647	MTG RAIL-COMPRESSOR (QTY 2)	
331	ZP122KCETFD155	COMP, 124000, 460/60/3 (M3, M4)	
331	ZP122KCETFE155	COMP, 124000, 575/60/3 (M5, M6)	
331	ZP122KCETF5250	COMP,124000, 200/230/60/3 (M1, M2)	
341	0130L00019	CRANK CASE HEATER, 70W, 575V (M5, M6)	
341	0130L00017	CRANK CASE HEATER-70W 240V (M1, M2)	
341	0130L00018	CRANK CASE HEATER-70W, 480V (M3, M4)	
351	0159L00072	Harness, comp scroll (M3, M4, M5, M6)	
351	0159L00073	Harness, comp scroll (M3, M4, M5, M6)	
351	0159L00048	HARNESS-COMPRESSOR (M1, M2)	
351	0159L00049	HARNESS-COMPRESSOR (M1, M2)	
361	0164M00018	COMPRESSOR GROMMET (QTY 8)	
371	B1393740	COMPRESSOR BOLT & SLEEVE (QTY 8)	
NS	0163M00175	CAP WITH O-RING (QTY 4)	

Expanded Model Nomenclature

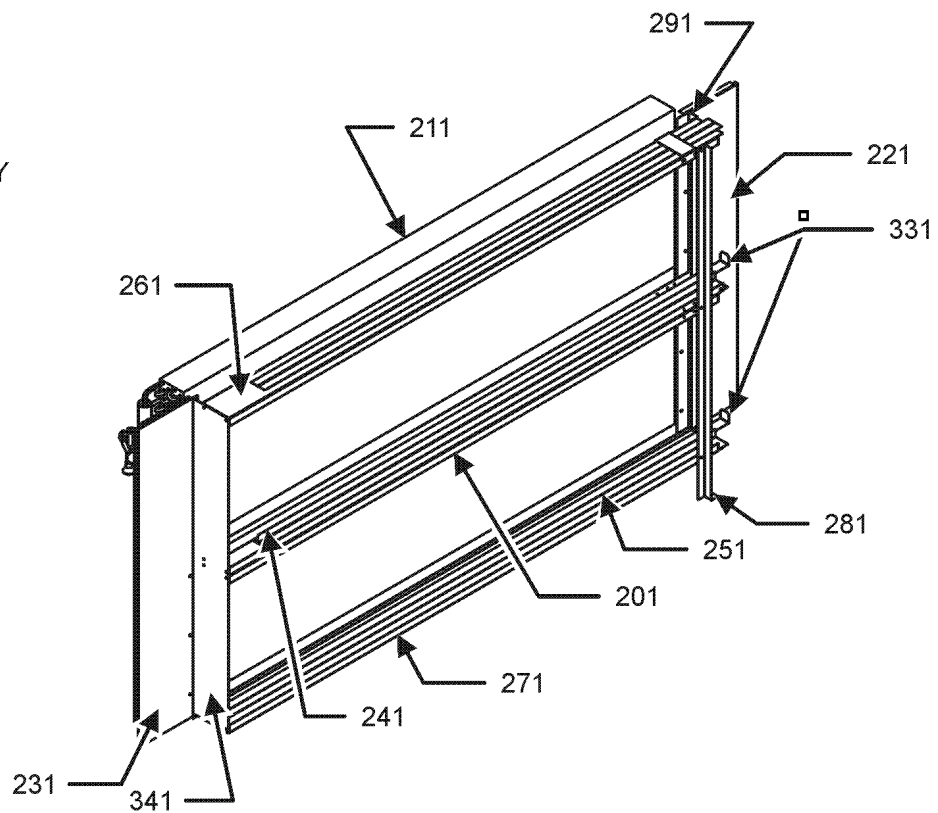
- | |
|-----------------|
| M1 - DBC2403SAA |
| M2 - DBC2403VAA |
| M3 - DBC2404SAA |
| M4 - DBC2404VAA |
| M5 - DBC2407SAA |
| M6 - DBC2407VAA |

Condenser and Evaporator Assembly

CONDENSER ASSEMBLY



EVAPORATOR ASSEMBLY



Condenser and Evaporator Assembly

Ref. Part No:	Part No:	Description:	Ref. Part No:	Part No:	Description:
---------------	----------	--------------	---------------	----------	--------------

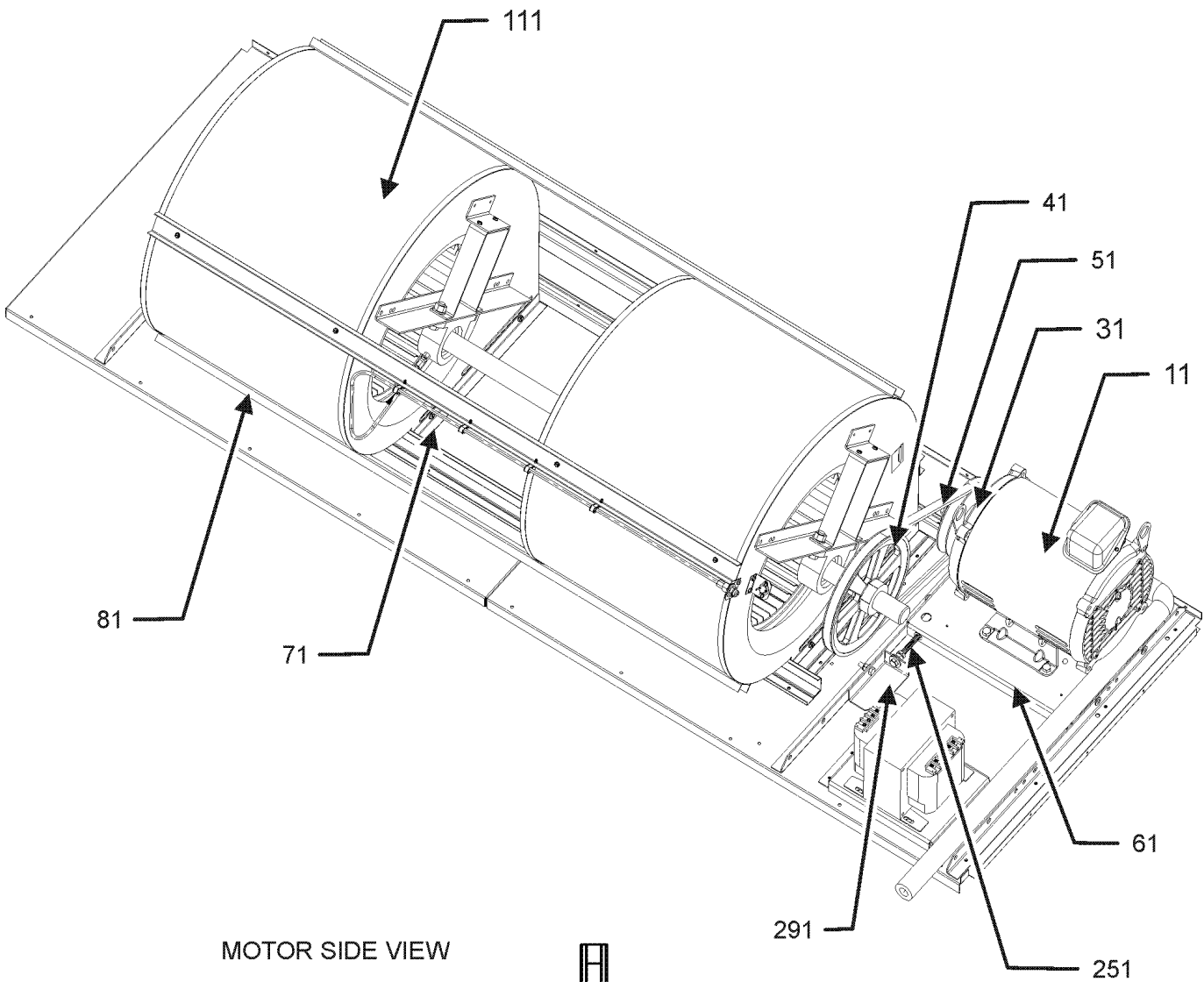
Image 1:

11	0121L00854	END COVER-CONDENSER (QTY 2)
21	0201L00151	CONDENSER COIL ASSY C1
31	0201L00152	CONDENSER COIL ASSY C2
41	0121L01154	BRACKET, CONDENSER END C1
51	0121L01156	BRACKET, CONDENSER END C2
61	0121L00572	CONDENSER BLOCKOFF, INSIDE TOP
71	0121L01153	BRACKET, COND/POST C2
81	0121L01155	BRACKET, COND/POST C1
101	0121L01037	ANGLE, TOP BRACE (QTY 2)
201	0270L00658	CENTER FILTER RACK
211	0202L00047	EVAPORATOR COIL ASSY (QTY 2)
221	0121L00698	EVAPORATOR BLOCKOFF PANEL
231	0121L00848	PANEL-EVAPORATOR, SMOKE DET
241	0121L01178	ANGELED FILTER SLIDER (QTY 4)
251	0121L00703	BLOCKOFF - BOTTOM
261	0121L01180	TOP FILTER RACK
271	0121L01179	BOTTOM FILTER RACK
281	0121L00632	FILTER SUPPORT ANGLE
291	0121L01508	RIGHT SIDE BLOCKOFF, FILTER RACK
331	0121L00640	FILTER PULL (QTY 2)
341	0121L00933	ANGLE-FILTER, LEFT VERTICAL
NS	0160L00137	Air Filter 20x25x2 (QTY 6)
NS	0121L00703	BOTTOM BLOCKOFF, FILTER RACK

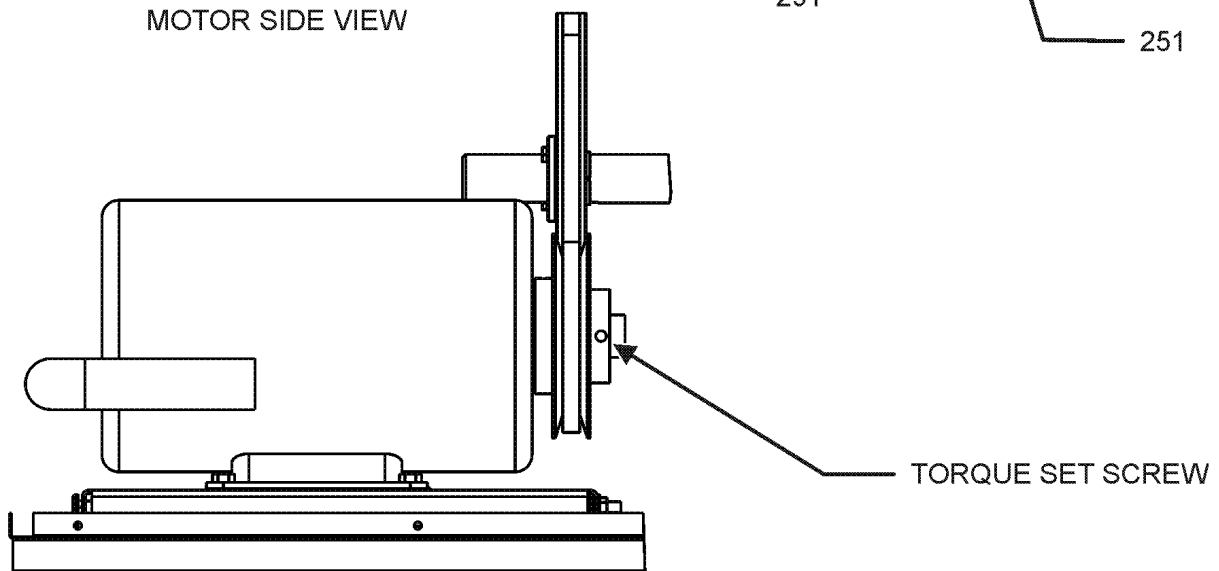
Expanded Model Nomenclature

M1 - DBC2403SAA
M2 - DBC2403VAA
M3 - DBC2404SAA
M4 - DBC2404VAA
M5 - DBC2407SAA
M6 - DBC2407VAA

Blower Assembly



MOTOR SIDE VIEW



Blower Assembly

Ref. Part No:	No:	Description:	Ref. Part No:	No:	Description:
---------------	-----	--------------	---------------	-----	--------------

Image 1:

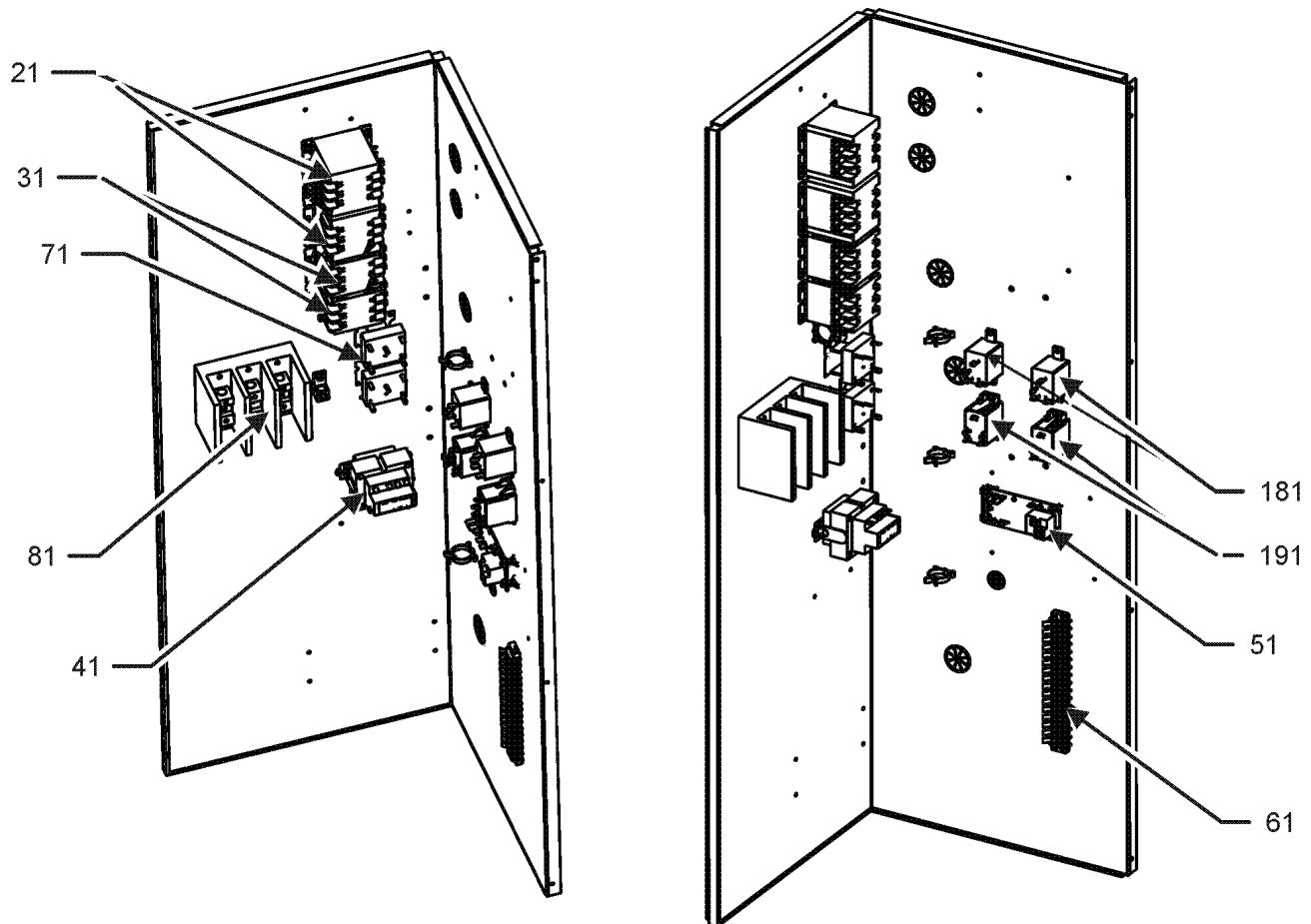
11	0131L00025	MOTOR, 5 HP BELT DRIVE 230V (M2)
11	0131L00031	MOTOR, 5 HP BELT DRIVE 460 V (M4)
11	0131L00028	MOTOR, 5 HP BELT DRIVE 575 V (M6)
11	0131L00117	MOTOR, 7.5 H.P. (M1)
11	0131L00118	MOTOR, 7.5 H.P. (M3)
11	0131L00119	MOTOR, 7.5 H.P. (M5)
31	0163L00052	SHEAVE-VARIABLE PITCH
41	0163L00139	SHEAVE, FIXED BK100H (M2, M4, M6)
41	0163L00151	SHEAVE, FIXED BK85H (M1, M3, M5)
51	0164L00006	FAN BELT, NOTCHED (M1, M3, M5)
51	0164L00013	FAN BELT-NOTCHED (M2, M4, M6)
61	0121L01430	MOTOR BASE
71	0121L00482	BLOWER SIDE ANGLE (QTY 4)
81	0121L00479	BLOWER RAIL (QTY 2)
111	0271L00027	150-12R BD 1.18 TWIN BLOWER
251	0163M00351	BOLT, 3/8-16-6
291	0121L01429	BRACKET, DRIVE SCREW
NS	0163M00352	3/8-16 JAM NUT
NS	0163M00084	HEX LOCKNUT, NYLON INSERT
NS	0163M00085	WASHER (QTY 4)
NS	B1392923	WASHER / FLAT (QTY 3)

Expanded Model Nomenclature

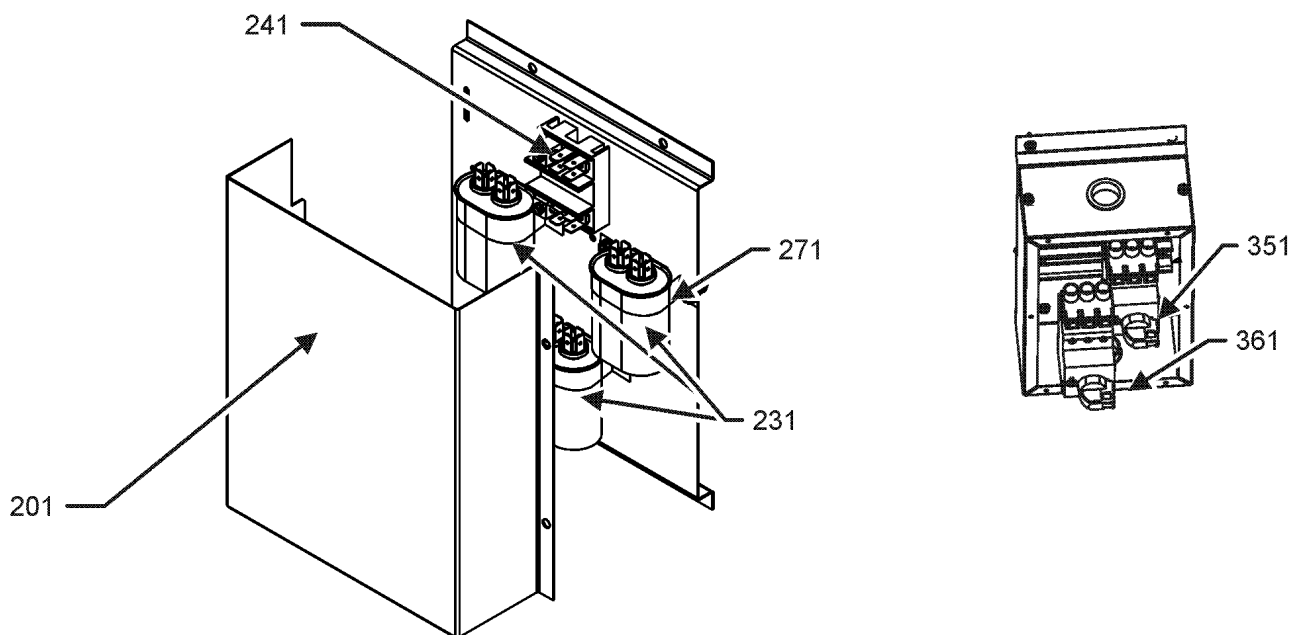
M1 - DBC2403SAA
M2 - DBC2403VAA
M3 - DBC2404SAA
M4 - DBC2404VAA
M5 - DBC2407SAA
M6 - DBC2407VAA

Control Panel Assembly

CONTROL PANEL ASSEMBLY



CAPACITOR ASSEMBLY



Control Panel Assembly

Ref. Part No:	Part No:	Description:	Ref. Part No:	Part No:	Description:
---------------	----------	--------------	---------------	----------	--------------

Image 1:

21	CONT3P030024V	CONT, 3 POLE, 30 AMP, 24 VAC (QTY 2)
31	CONT3P030024V	CONT, 3 POLE, 30 AMP, 24 VAC (QTY 2)
41	0130L00205	TRANSFORMER (M1, M2)
41	0130L00206	TRANSFORMER (M3, M4)
41	0130L00207	TRANSFORMER (M5, M6)
51	PCBFM103	PCB, TIME DELAY, EBTDR
61	0130M00038	TERMINAL BOARD
81	0130M00042	BLOCK, DISTRIB. 7.5-25 TON
171	0130M00025	24V RELAY (QTY 2)
181	0130M00242	24V RELAY (QTY 2)
191	10135604	RELAY (QTY 2)
201	0121L00586	CAPACITOR COVER
231	CAP100000370LA	CAPACITOR 10/370V (M1, M2, M3, M4)
241	B1368250	TERMINAL BLOCK (HIGH VOLTAGE)
271	20520901	CAPACITOR STRAP (QTY 3)
351	0130L00082	ROTARY MANUAL MOTOR PROTECTOR (M4, M6)
351	0130L00084	ROTARY MANUAL MOTOR PROTECTOR (M3, M5)
351	0130L00085	ROTARY MANUAL MOTOR PROTECTOR (M1, M2)
361	0130L00083	ROTARY MANUAL MOTOR PROTECTOR (M3, M5, M6)
361	0130L00084	ROTARY MANUAL MOTOR PROTECTOR (M2, M4)
361	0130L00086	ROTARY MANUAL MOTOR PROTECTOR (M1)
NS	0259L00185	BLOWER RELAY HARNESS
NS	0259L00186	BLOWER RELAY HARNESS
NS	0259L00190	CIRCUIT BREAKER HARNESS
NS	0259L00118	CONDENSER FAN HARNESS, LONG
NS	0259L00117	CONDENSER FAN HARNESS, MEDIUM
NS	0259L00116	CONDENSER FAN HARNESS, SHORT
NS	0259L00183	CRANK CASE HEATER WIRE HARNESS
NS	0159L00052	HARNESS JUMPER LONG
NS	0259L00164	HARNESS, ECONOMIZER AC
NS	0259L00107	HARNESS, E-HEAT
NS	0159L00051	HARNESS, JUMPER SHORT
NS	0259L00181	HARNESS-BELT DRIVE 2 SP MOTOR
NS	0259L00187	ISO RELAY HARNESS
NS	0259L00170	TERMINAL BOARD HARNESS
NS	0259L00171	TRANSFORMER HARNESS
NS	0259L00184	TRANSFORMER HARNESS
NS	0259L00169	WIRE HARNESS ASSY
NS	0259L00175	WIRE HARNESS ASSY
NS	0259L00176	WIRE HARNESS ASSY

Expanded Model Nomenclature

- | |
|-----------------|
| M1 - DBC2403SAA |
| M2 - DBC2403VAA |
| M3 - DBC2404SAA |
| M4 - DBC2404VAA |
| M5 - DBC2407SAA |
| M6 - DBC2407VAA |