

Commercial 15 Ton DDC Control 2-Speed Package Cooling Units

DBC1803VDDCAA
DBC1804VDDCAA
DBC1807VDDCAA



This manual is to be used by qualified technicians only.

Important Information

Index

| | |
|------------------------------|--------|
| Functional Parts List | 3 |
| Illustration and Parts | 4 - 17 |

Views shown are for parts illustrations only, not servicing procedures

Text Codes:

AR - As Required

NA - Not Available

NS - Not Shown

00000000 - See Note

QTY - Quantity Example (QTY 3) (If Quantity not shown, Quantity = 1)

M - Model Example (M1) (If M Code not shown, then part is used on all Models)

Expanded Model Nomenclature:

| |
|---|
| Example M1 - Model#1 M2 - Model#2 M3 - Model#3 |
|---|

Daikin Company, L.P. is not responsible for personal injury or property damage resulting from improper service. Review all service information before beginning repairs.

Warranty service must be performed by an authorized technician, using authorized factory parts. If service is required after the warranty expires, Daikin Company, L.P. also recommends contacting an authorized technician and using authorized factory parts.

Daikin Company, L.P. reserves the right to discontinue, or change at any time, specifications or designs without notice or without incurring obligations.

For assistance within the U.S.A. contact:

Equipment Support
Daikin North America, LLC
19001 Kermier Road
Waller, Texas 77484
855-770-5678-Telephone
713-863-2382-Facsimile

For assistance outside the U.S.A. contact:

International Division
Daikin North America, LLC
19001 Kermier Road
Waller, Texas 77484
713-861-2500-Telephone
713-863-2382-Facsimile

Functional Parts

Part No: **Description:**

Expanded Model Nomenclature

| | |
|----------------|---------------------------------------|
| 0130M00249 | AUXILLARY SWITCH (QTY 2) |
| CAP100000370LA | CAPACITOR 10/370V (M1) |
| CAP050000440LA | CAPACITOR 5/440V (M2, M3) |
| ZP83KCETF5250 | COMPRESSOR 83000, 200/230/60/3 (M1) |
| ZP83KCETFD130 | COMPRESSOR 83000, 460/60/3 (M2) |
| ZP83KCETFE130 | COMPRESSOR 83000, 575/60/3 (M3) |
| CONT3P030024V | CONT 3 POLE 30 AMP 24 VAC (M2, M3) |
| CONT3P030024V | CONT, 3 POLE, 30 AMP, 24 VAC (M2, M3) |
| CONT3P030024V | CONT, 3 POLE, 30 AMP, 24 VAC (M2, M3) |
| CONT3P040024V | CONT, 3 POLE, 40 AMP, 24 VAC (M1) |
| CONT3P040024V | CONT, 3 POLE, 40 AMP, 24 VAC (M1) |
| CONT3P040024V | CONT, 3 POLE, 40 AMP, 24 VAC (M1) |
| 0130L00019 | CRANK CASE HEATER, 70W, 575V (M3) |
| 0130L00017 | CRANK CASE HEATER-70W 240V (M1) |
| 0130L00018 | CRANK CASE HEATER-70W, 480V (M2) |
| 0130M00579 | DDC CONTROLLER 39IO |
| 0130M00178 | DPDT RELAY 24VAC |
| 0130L00228 | DUCT TEMP SENSOR |
| 0164L00004 | FAN BELT-NOTCHED |
| 10625733 | FAN BLADE 22" ALUM C CW (QTY 3) |
| 0130M00074 | HIGH PRESSURE SWITCH (QTY 2) |
| 0130M00087 | LOW PRESSURE SWITCH (QTY 2) |
| 0131L00024 | MOTOR, 3 HP BELT DRIVE 230V (M1) |
| 0131L00030 | MOTOR, 3 HP BELT DRIVE 460 V (M2) |
| 0131L00027 | MOTOR, 3 HP BELT DRIVE 575 V (M3) |
| 0131M00907 | MOTOR, HP, 1/3, OD (M2) |
| 0131M00908 | MOTOR, HP, 1/3, OD, LAK (M3) |
| 0131M00906 | MOTOR, HP, 1/3, SP, 1, PL, 6 (M1) |
| 0130L00227 | OUTDOOR AIR TEMP SENSOR |
| 0130L00252 | PROGRAM, APP, CONTROLLER, DDC |
| 0130L00226 | SPACE TEMPERATURE SENSOR |
| 0130M00598 | TRANSFMR, 75VA, 575V TO 24V (M3) |
| 0130L00206 | TRANSFORMER (M2) |
| 0130L00207 | TRANSFORMER (M3) |
| 0130L00205 | TRANSFORMER (M1) |
| 0130M00594 | TRANSFORMER (M1) |
| 0130M00595 | TRANSFORMER, 75VA, 480V TO 24V (M2) |
| 0151L00011 | VALVE, TXV R-410A |

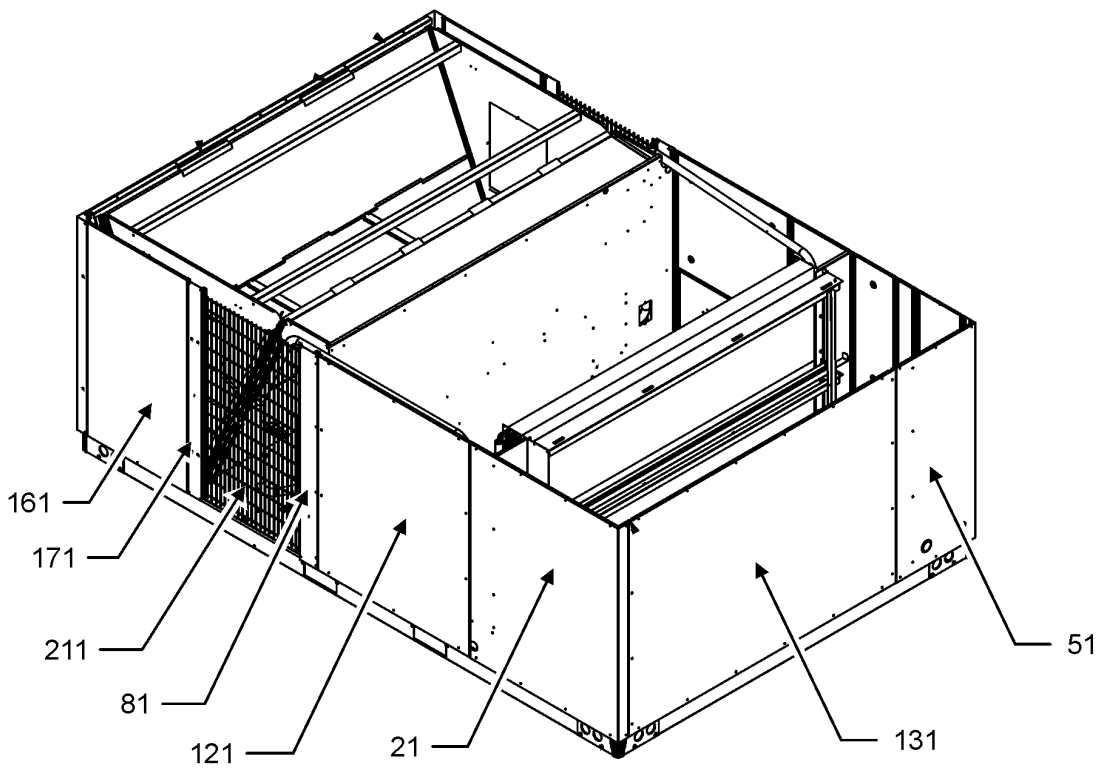
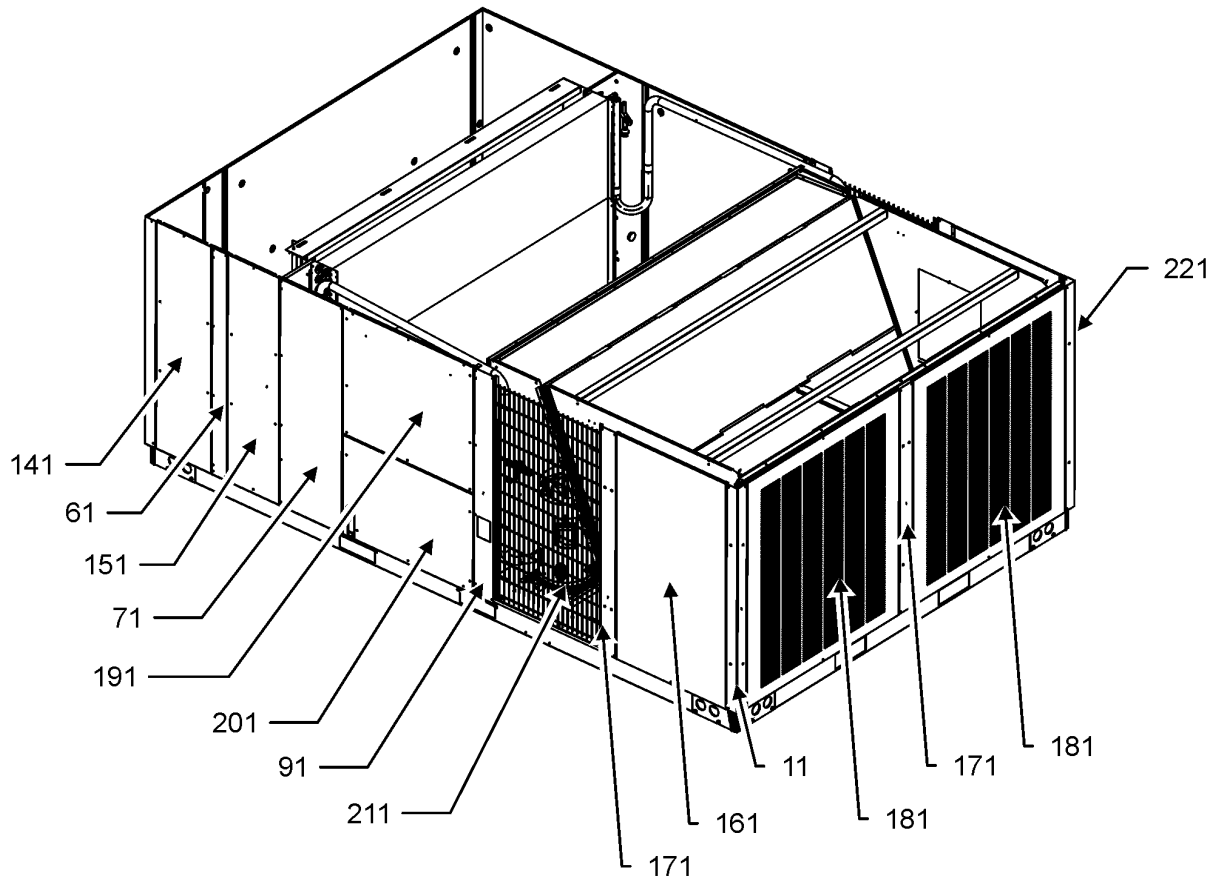
| |
|--------------------|
| M1 - DBC1803VDDCAA |
| M2 - DBC1804VDDCAA |
| M3 - DBC1807VDDCAA |

SPECIAL PARTS

| | |
|-------------|--------------------------------|
| RP-FIOPLC* | ACCESSORY PART MANUAL |
| BDG-ILINQA | DAIKIN ILINQ BACNET DES GUIDE |
| QSG-ILINQA | DAIKIN ILINQ QUICK START GUIDE |
| UM-ILINQA | DAIKIN ILINQ USER MANUAL |
| RP-EHSDLC* | HEATER KIT MANUAL |
| RP-EHXDLCL* | HEATER KIT MANUAL |
| RP-EHXBLC* | HEATER KIT MANUAL |
| RP-EHSBLC* | HEATER KIT MANUAL |

Cabinet Assembly

CABINET ASSEMBLY



Cabinet Assembly

| Ref. Part No: | No: | Description: | Ref. Part No: | No: | Description: |
|---------------|-----|--------------|---------------|-----|--------------|
|---------------|-----|--------------|---------------|-----|--------------|

Image 1:

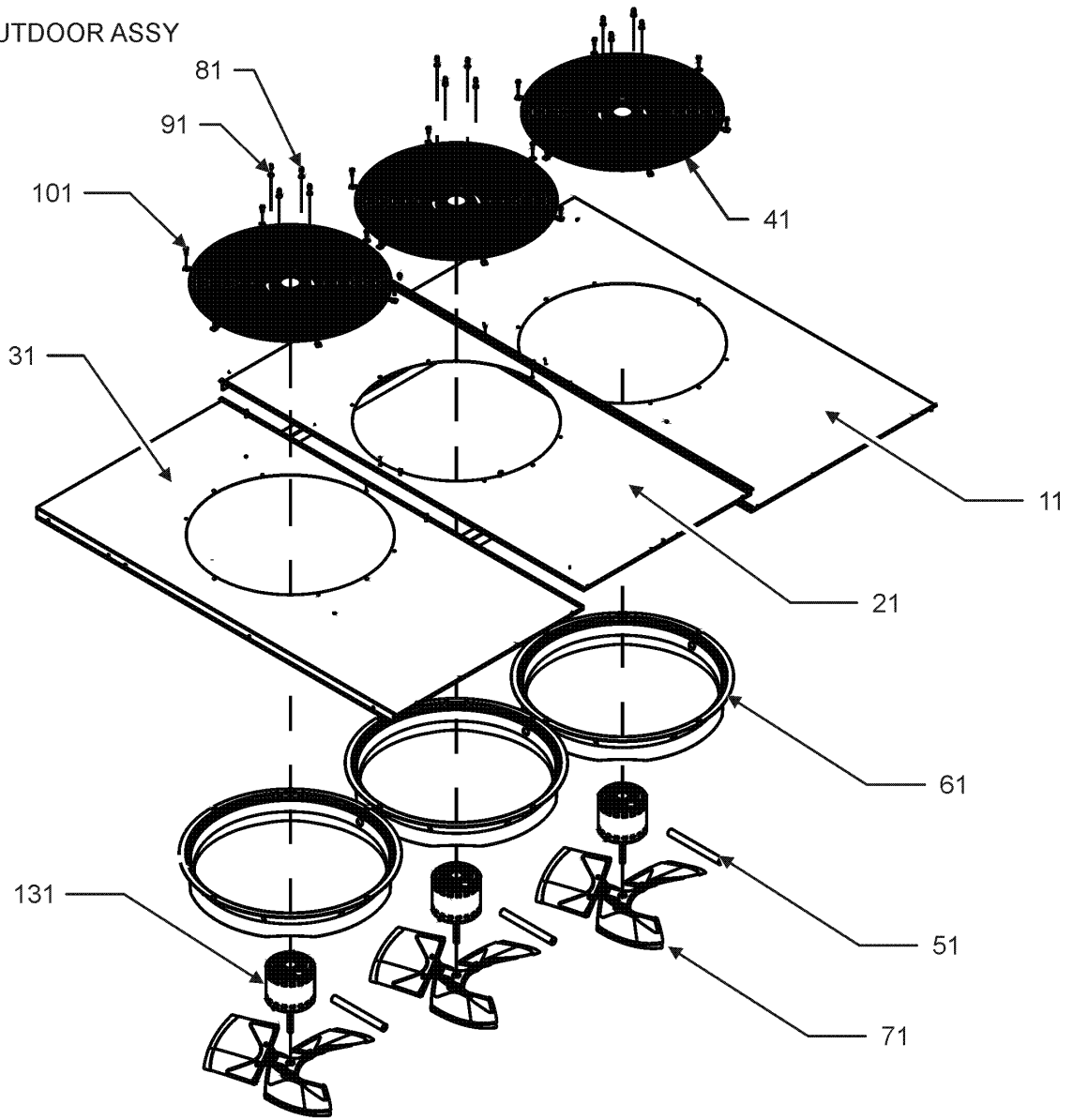
| | | |
|-----|--------------|--------------------------------|
| 11 | 0121L01143SB | CORNER POST (QTY 2) |
| 21 | 0121L00681SB | EVAP PANEL |
| 51 | 0121L00679SB | CONTROL CORNER PANEL |
| 61 | 0121L02048SB | CONTROL/FILTER POST |
| 71 | 0121L00710SB | BLOWER DOOR POST |
| 81 | 0121L00903SB | POST-PARTITION, EVAP SIDE |
| 91 | 0121L00906SB | POST-PARTITION, (COOL) HT |
| 121 | 0121L00685SB | BLOWER DOOR, EVAP SIDE |
| 131 | 0121L00688SB | ACCESSORY PANEL |
| 141 | 0121L00687SB | PNT, DOOR-CONTROL |
| 151 | 0121L00686SB | FILTER DOOR |
| 161 | 0121L00907SB | PANEL-CONDENSER SIDE (QTY 2) |
| 171 | 0121L01144SB | POST, COND PANEL (QTY 3) |
| 181 | 0121L01174SB | PANEL-LOUVER, END (QTY 2) |
| 191 | 0121L00713SB | BLOWER DOOR GAS |
| 201 | 0121L00708SB | DOOR-ELECTRIC HEAT |
| 211 | 0152L00000 | GRILLE-CONDENSER (QTY 2) |
| 221 | 0121L00476SB | PNT, TURNBUCKLE, DOOR (QTY 16) |
| NS | M0204317 | SCREW-MACH (QTY 16) |

Expanded Model Nomenclature

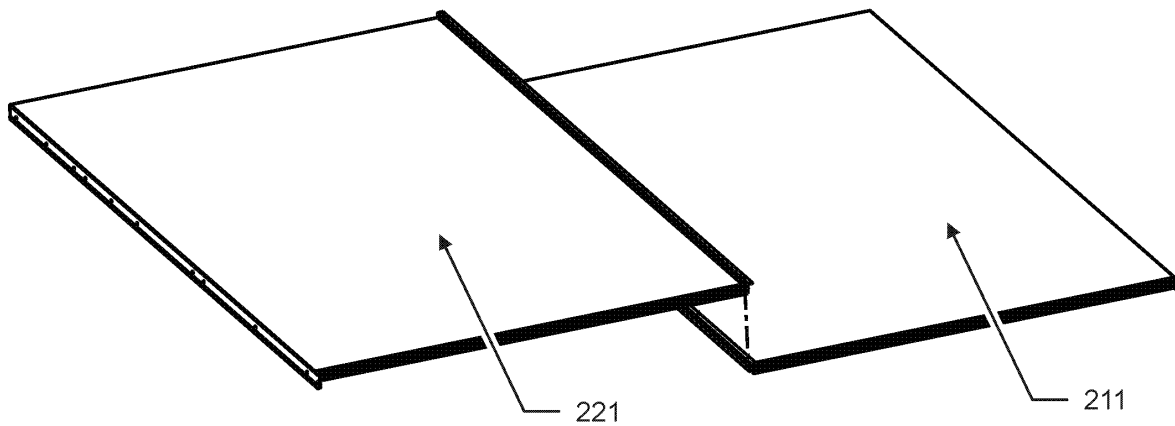
| |
|--------------------|
| M1 - DBC1803VDDCAA |
| M2 - DBC1804VDDCAA |
| M3 - DBC1807VDDCAA |

Top Panel Indoor/Outdoor Assembly

TOP PANEL OUTDOOR ASSY



TOP PANEL INDOOR ASSY



Top Panel Indoor/Outdoor Assembly

| Ref. Part No: | No: | Description: | Ref. Part No: | No: | Description: |
|---------------|-----|--------------|---------------|-----|--------------|
|---------------|-----|--------------|---------------|-----|--------------|

Image 1:

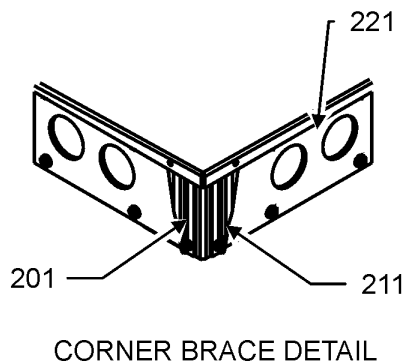
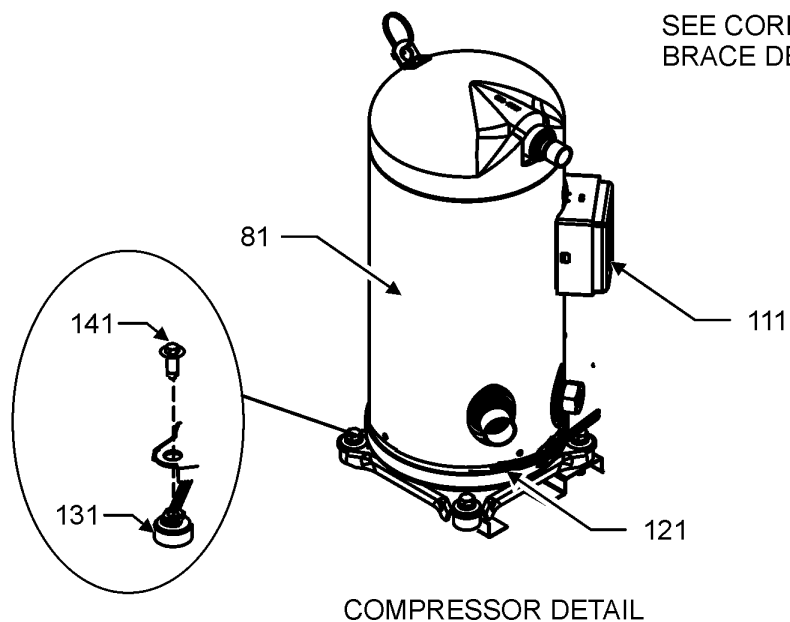
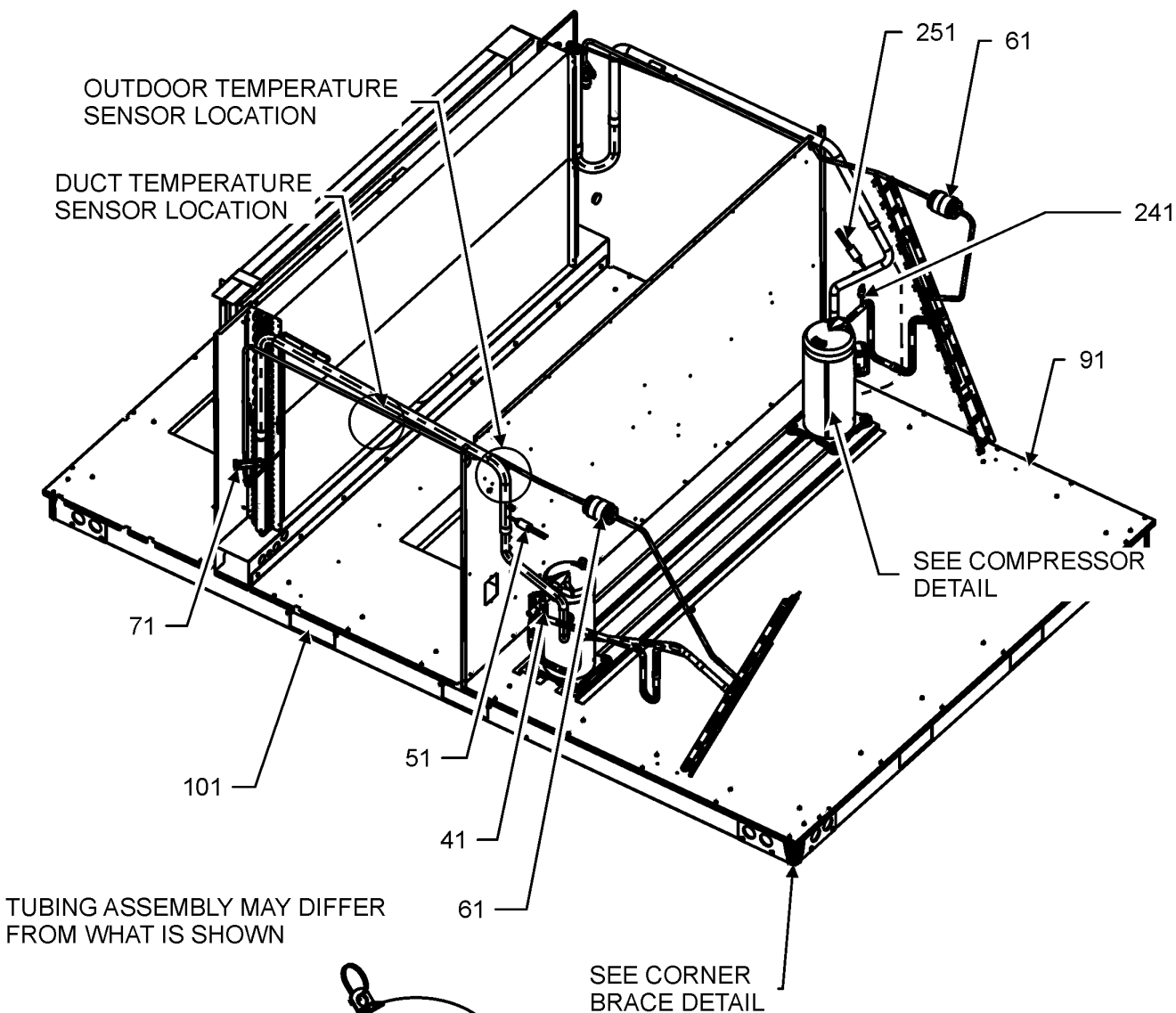
| | | |
|-----|--------------|---------------------------------------|
| 11 | 0121L01038SB | PNT, TOP-FAN, CONTROL SIDE |
| 21 | 0121L01039SB | PNT, TOP-FAN, CENTER |
| 31 | 0121L01040SB | PNT, TOP-FAN, EVAP SIDE |
| 41 | 0152G00003 | FAN GRILLE (QTY 3) |
| 51 | 0161R00003P | CONDUIT (QTY 3) |
| 61 | 0161L00000 | VENTURI RING 22" (QTY 3) |
| 71 | 10625733 | FAN BLADE 22" ALUM CCW (QTY 3) |
| 81 | 0163M00006P | ACORN NUT 5/16 HEX BLACK (QTY 12) |
| 91 | 0163M00005P | WASHER BLACK (.50 OD .218ID) (QTY 12) |
| 101 | 0163M00004 | SCREW #10X3/4", BLACK (QTY 24) |
| 131 | 0131M00907 | MOTOR, HP, 1/3, OD (M2) |
| 131 | 0131M00908 | MOTOR, HP, 1/3, OD, LAK (M3) |
| 131 | 0131M00906 | MOTOR, HP, 1/3, SP, 1, PL, 6 (M1) |
| 211 | 0121L00693SB | TOP, CONTROL SIDE |
| 221 | 0121L00694SB | TOP, EVAP SIDE |
| NS | 0163M00004 | SCREW #10X3/4", BLACK (QTY 24) |
| NS | 0163M00005P | WASHER BLACK (.50 OD .218ID) (QTY 12) |
| NS | M0272803 | WASHER-LOCK (QTY 3) |

Expanded Model Nomenclature

| |
|--------------------|
| M1 - DBC1803VDDCAA |
| M2 - DBC1804VDDCAA |
| M3 - DBC1807VDDCAA |

Tubing Assembly

TUBING ASSEMBLY



Tubing Assembly

| Ref. Part No: | Part No: | Description: | Ref. Part No: | Part No: | Description: |
|---------------|----------|--------------|---------------|----------|--------------|
|---------------|----------|--------------|---------------|----------|--------------|

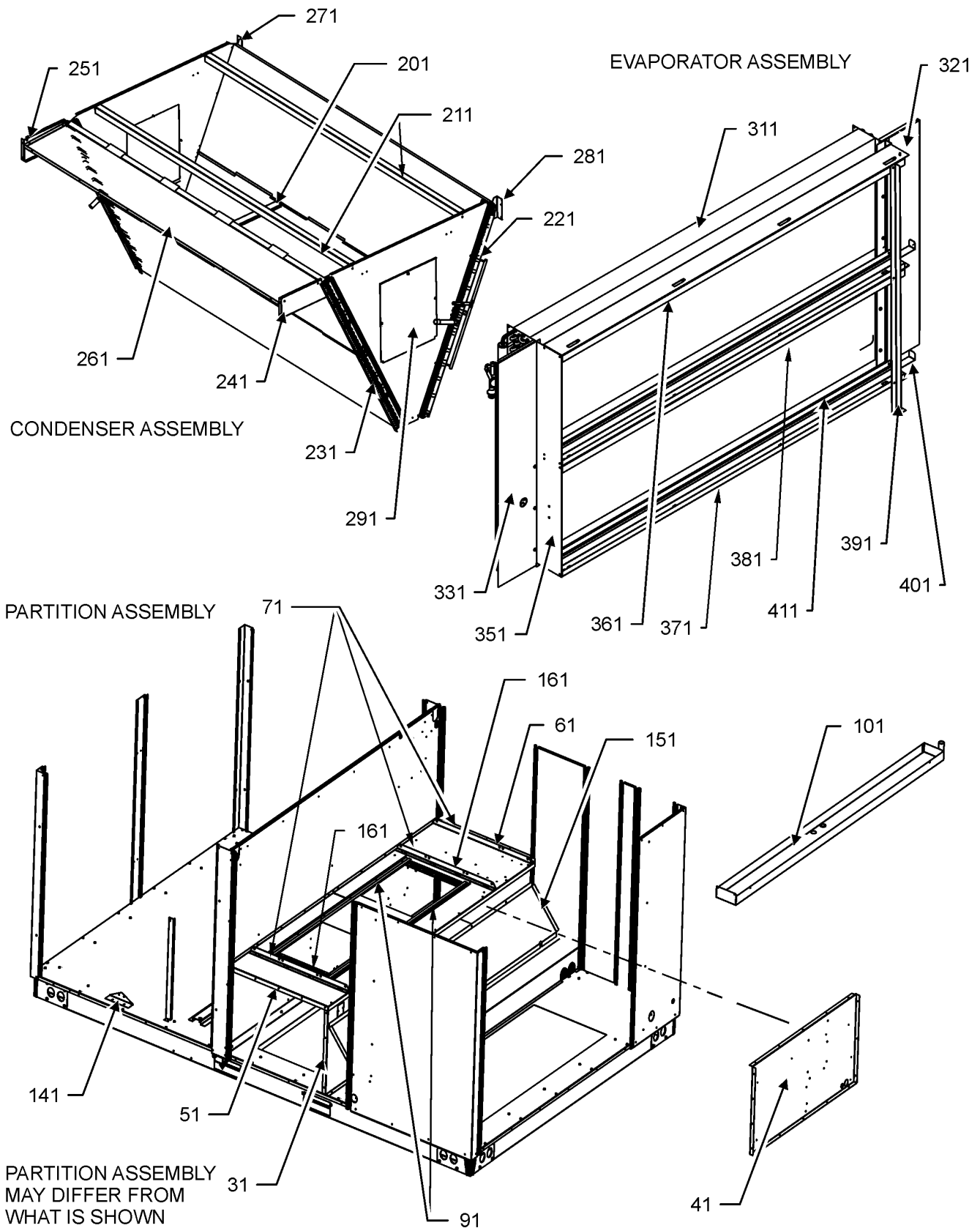
Image 1:

| | | |
|-----|---------------|--|
| 41 | 0130M00074 | HIGH PRESSURE SWITCH |
| 51 | 0130M00087 | LOW PRESSURE SWITCH |
| 61 | 0151M00012 | BI-FLOW FILTER DRIER |
| 71 | 0151L00011 | VALVE, TXV R-410A |
| 81 | ZP83KCETF5250 | COMPRESSOR 83000, 200/230/60/3 (M1) |
| 81 | ZP83KCETFD130 | COMPRESSOR 83000, 460/60/3 (M2) |
| 81 | ZP83KCETFE130 | COMPRESSOR 83000, 575/60/3 (M3) |
| 91 | 0121L00720 | SIDE RAIL |
| 101 | 0121L00719 | CONTROL SIDE BASE RAIL |
| 111 | 0159L00020 | COMPRESSOR SCROLL HARNESS (M1) |
| 111 | 0159L00021 | COMPRESSOR SCROLL HARNESS (M1) |
| 111 | 0159L00071 | Harness, comp scroll (M2, M3) |
| 111 | 0159L00070 | Harness, compmcompressor 460V (M2, M3) |
| 121 | 0130L00019 | CRANK CASE HEATER, 70W, 575V (M3) |
| 121 | 0130L00017 | CRANK CASE HEATER-70W 240V (M1) |
| 121 | 0130L00018 | CRANK CASE HEATER-70W, 480V (M2) |
| 131 | 0164M00018 | COMPRESSOR GROMMET (QTY 8) |
| 141 | B1393740 | COMPRESSOR BOLT & SLEEVE (QTY 8) |
| 201 | 0121L00616 | RAIL BRACE ANGLE, RIGHT (QTY 4) |
| 211 | 0121L00617 | RAIL BRACE ANGLE, LEFT (QTY 4) |
| 221 | 0121L00723 | BASE RAIL CORNER BRACE (QTY 4) |
| 241 | 0130M00074 | HIGH PRESSURE SWITCH |
| 251 | 0130M00087 | LOW PRESSURE SWITCH |
| NS | 0121L00722 | BASE RAIL, ACCESSORY END |
| NS | 0121L00721 | BASE RAIL, CONDENSER END (QTY 2) |
| NS | 0163M00175 | CAP WITH O-RING (QTY 4) |
| NS | 0121L00625 | COMPRESSOR RAIL BRACKET (QTY 4) |
| NS | 0130L00228 | DUCT TEMP SENSOR |
| NS | 0141L00029 | FORK BOARD (QTY 2) |
| NS | 0121L00724 | FORK BOARD BRACKET (QTY 4) |
| NS | 0121L00605 | FORK BOARD PLATE |
| NS | 0130L00227 | OUTDOOR AIR TEMP SENSOR |

Expanded Model Nomenclature

| |
|--------------------|
| M1 - DBC1803VDDCAA |
| M2 - DBC1804VDDCAA |
| M3 - DBC1807VDDCAA |

Condenser, Evaporator and Partition Assy



Condenser, Evaporator and Partition Assy

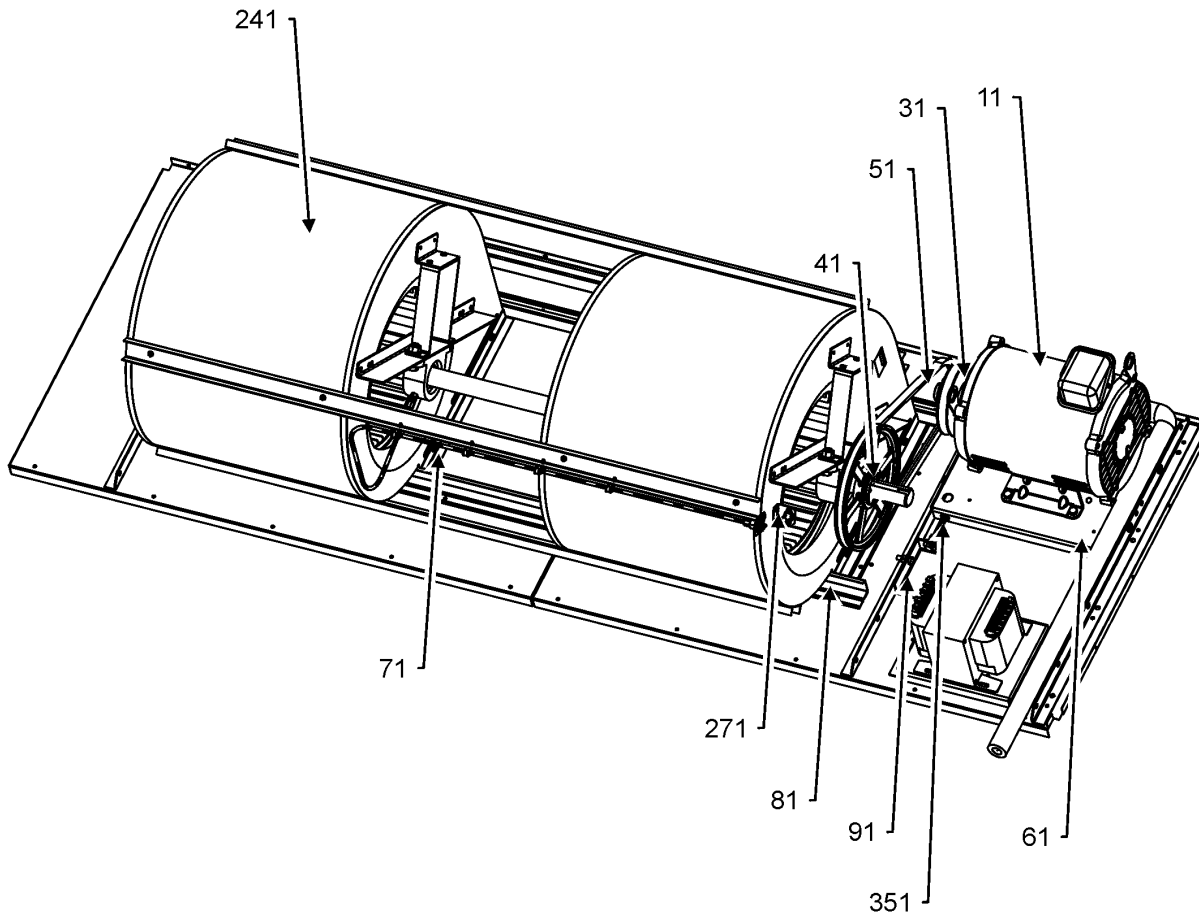
| Ref. Part No: | Part No: | Description: | Ref. Part No: | Part No: | Description: |
|-----------------|--------------|---------------------------------------|---------------|----------|--------------|
| Image 1: | | | | | |
| 31 | 0121L01163 | DECK, SIDE DUCT END | | | |
| 41 | 0121L01162 | DECK, SIDE HEAT END | | | |
| 51 | 0121L00652 | BLOWER DECK, EVAP SIDE | | | |
| 61 | 0121L01060 | DECK-BLOWER, MOTOR END | | | |
| 71 | 0121L01431 | MOTOR MOUNT ANGLE (QTY 3) | | | |
| 91 | 0121L00478 | BLOWER DECK RAIL (QTY 2) | | | |
| 101 | 0270L00612DG | DRAIN PAN | | | |
| 141 | 0121L00913 | BRACKET-COND/BASEPAN (QTY 2) | | | |
| 151 | 0121L01158 | SHIELD, BLOWOFF | | | |
| 161 | 0121L00481 | BLOWER RAIL (QTY 2) | | | |
| 201 | 0121L00901 | BRACE-COND COILS (QTY 2) | | | |
| 211 | 0121L01037 | ANGLE, TOP BRACE (QTY 2) | | | |
| 221 | 0201L00123 | CONDENSER COIL ASSY, C1 | | | |
| 231 | 0201L00124 | CONDENSER COIL ASSY C2 | | | |
| 241 | 0121L01154 | BRACKET, CONDENSER END C1 | | | |
| 251 | 0121L01156 | BRACKET, CONDENSER END C2 | | | |
| 261 | 0121L00572 | CONDENSER BLOCKOFF, INSIDE TOP | | | |
| 271 | 0121L01155 | BRACKET, COND/POST C1 | | | |
| 281 | 0121L01153 | BRACKET, COND/POST C2 | | | |
| 291 | 0121L00910 | COVER-COIL CLEANING (QTY 2) | | | |
| 311 | 0202L00047 | EVAPORATOR COIL ASSY | | | |
| 321 | 0121L00698 | EVAPORATOR BLOCKOFF PANEL | | | |
| 331 | 0121L00848 | PANEL-EVAPORATOR, SMOKE DET | | | |
| 351 | 0121L00933 | ANGLE-FILTER, LEFT VERTICAL | | | |
| 361 | 0121L01180 | TOP ANGLE FILTER | | | |
| 371 | 0121L01179 | BOTTOM FILTER RACK | | | |
| 381 | 0270L00658 | CENTER FILTER RACK | | | |
| 391 | 0121L04205 | SUPPORT ANGLE-FILTER | | | |
| 401 | 0121L00640 | FILTER PULL (QTY 2) | | | |
| 411 | 0121L00703 | BOTTOM BLOCKOFF, FILTER RACK | | | |
| NS | 0160L00137 | FILTER, 20 X 25 X 2, STANDARD (QTY 6) | | | |
| NS | 0164G00004 | GROMMET HORSESHOW 1.75 (QTY 2) | | | |
| NS | 0121L00321 | SMOKE DETECTOR COVER | | | |

Expanded Model Nomenclature

| |
|--------------------|
| M1 - DBC1803VDDCAA |
| M2 - DBC1804VDDCAA |
| M3 - DBC1807VDDCAA |

Blower Motor Assembly

BLOWER ASSEMBLY



BLOWER ASSEMBLY MAY DIFFER FROM WHAT IS SHOWN

Blower Motor Assembly

| Ref. Part No: | No: | Description: | Ref. Part No: | No: | Description: |
|---------------|-----|--------------|---------------|-----|--------------|
|---------------|-----|--------------|---------------|-----|--------------|

Image 1:

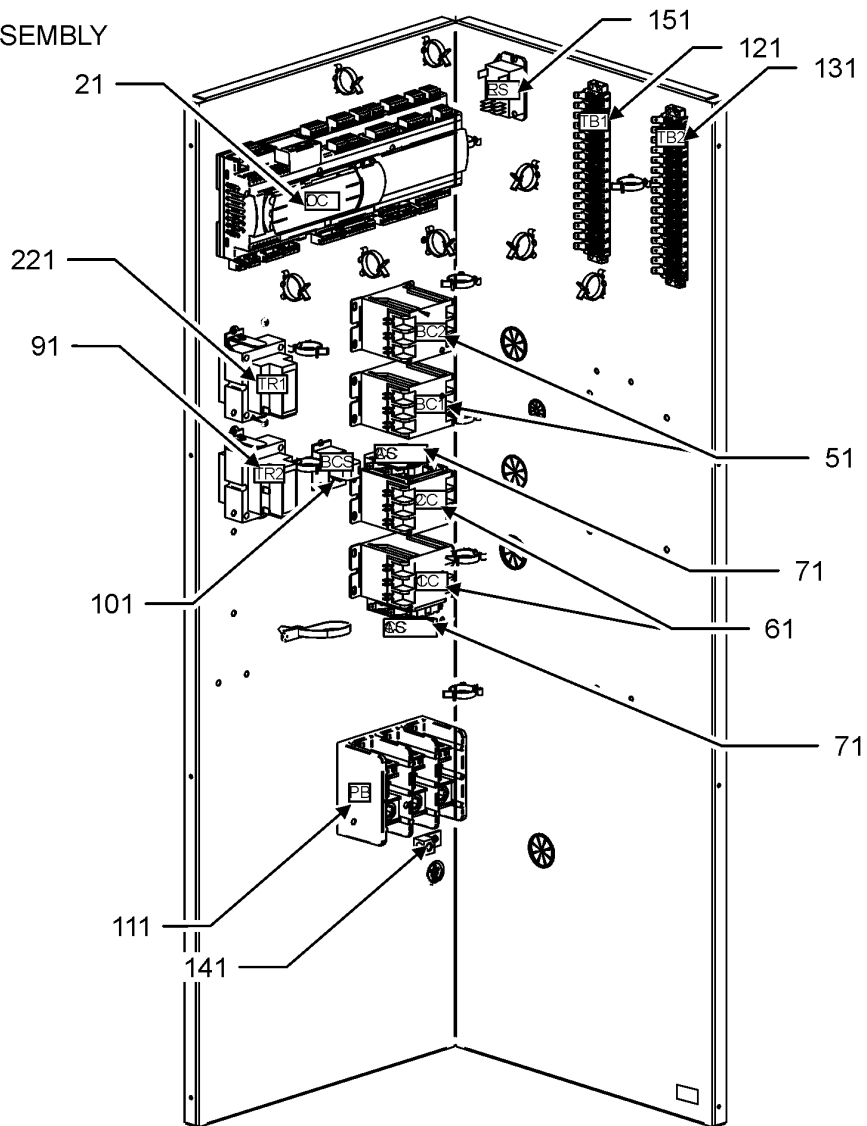
| | | |
|-----|------------|-----------------------------------|
| 11 | 0131L00024 | MOTOR, 3 HP BELT DRIVE 230V (M1) |
| 11 | 0131L00030 | MOTOR, 3 HP BELT DRIVE 460 V (M2) |
| 11 | 0131L00027 | MOTOR, 3 HP BELT DRIVE 575 V (M3) |
| 31 | 0163L00035 | VARIABLE PITCH SHEAVE |
| 41 | 0163L00139 | SHEAVE, FIXED BK100H |
| 51 | 0164L00004 | FAN BELT-NOTCHED |
| 61 | 0121L01430 | BASE, MOTOR |
| 71 | 0121L00482 | BLOWER SIDE ANGLE (QTY 4) |
| 81 | 0121L00654 | BLOWER RAIL (QTY 2) |
| 91 | 0121L01429 | BRACKET, DRIVE SCREW |
| 241 | 04-01543 | BLOWER HOUSING |
| 271 | 0121L00053 | BRACKET FLAME ROLLOUT |
| 351 | 0163M00351 | BOLT, 3/8-16-6 |
| NS | 04-02198 | BEARING&FRAME ASSY |
| NS | 04-11555 | BLOWER SHAFT |
| NS | 03-77419 | BLOWER WHEEL |

Expanded Model Nomenclature

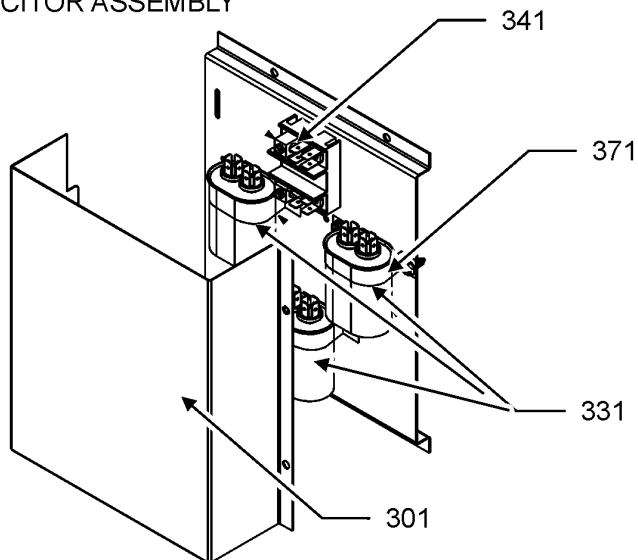
| |
|--------------------|
| M1 - DBC1803VDDCAA |
| M2 - DBC1804VDDCAA |
| M3 - DBC1807VDDCAA |

Control Panel Assembly

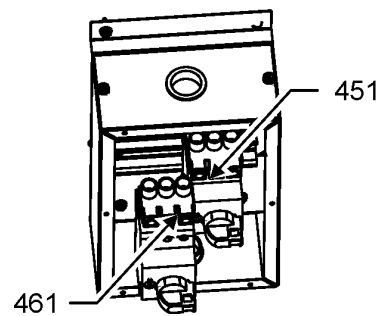
CONTROL PANEL ASSEMBLY



CAPACITOR ASSEMBLY



CIRCUIT BREAKER ASSEMBLY



Control Panel Assembly

| Ref. Part No: | Ref. Part No: | Description: | Description: |
|---------------|---------------|--------------|--------------|
|---------------|---------------|--------------|--------------|

Image 1:

| | | |
|-----|----------------|--|
| 21 | 0130M00579 | DDC CONTROLLER 39IO |
| 51 | CONT3P030024V | CONT, 3 POLE, 30 AMP, 24 VAC (M2, M3) |
| 51 | CONT3P040024V | CONT, 3 POLE, 40 AMP, 24 VAC (M1) |
| 61 | CONT3P030024V | CONT, 3 POLE, 30 AMP, 24 VAC (M2, M3) |
| 61 | CONT3P040024V | CONT, 3 POLE, 40 AMP, 24 VAC (M1) |
| 71 | 0130M00249 | AUXILLARY SWITCH (QTY 2) |
| 91 | 0130M00598 | TRANSFMR, 75VA, 575V TO 24V (M3) |
| 91 | 0130M00594 | TRANSFORMER (M1) |
| 91 | 0130M00595 | TRANSFORMER, 75VA, 480V TO 24V (M2) |
| 101 | 0259L00368 | CURRENT SWITCH WITH TERMS |
| 111 | 0130M00042 | POWER BLOCK |
| 121 | 0130M00414 | TERMINAL BOARD |
| 131 | 0130M00415 | TERMINAL BOARD |
| 141 | 0130L00005 | GROUND LUG |
| 151 | 0130M00178 | DPDT RELAY 24VAC |
| 221 | 0130L00205 | TRANSFORMER (M1) |
| 221 | 0130L00206 | TRANSFORMER (M2) |
| 221 | 0130L00207 | TRANSFORMER (M3) |
| 301 | 0121L03808 | COVER, CAPACITOR |
| 331 | CAP100000370LA | CAPACITOR 10/370V (M1) |
| 331 | CAP050000440LA | CAPACITOR 5/440V (M2, M3) |
| 341 | B1368250 | TERMINAL BLOCK (HIGH VOLTAGE) |
| 371 | 20520901 | CAPACITOR STRAP (QTY 3) |
| 451 | 0130L00070 | ROTARY MANUAL MOTOR PROTECTOR (M2) |
| 451 | 0130L00082 | ROTARY MANUAL MOTOR PROTECTOR (M3) |
| 451 | 0130L00084 | ROTARY MANUAL MOTOR PROTECTOR (M1) |
| 461 | 0130L00082 | ROTARY MANUAL MOTOR PROTECTOR (M3) |
| 461 | 0130L00083 | ROTARY MANUAL MOTOR PROTECTOR (M1, M2) |
| NS | B821700 | BOOT, CAPACITOR |
| NS | BDG-ILINQA | DAIKIN ILINQ BACNET DES GUIDE |
| NS | QSG-ILINQA | DAIKIN ILINQ QUICK START GUIDE |
| NS | UM-ILINQA | DAIKIN ILINQ USER MANUAL |
| NS | 0130L00252 | PROGRAM, APP, CONTROLLER, DDC |
| NS | 0130L00226 | SPACE TEMPERATURE SENSOR |

Expanded Model Nomenclature

| |
|--------------------|
| M1 - DBC1803VDDCAA |
| M2 - DBC1804VDDCAA |
| M3 - DBC1807VDDCAA |

ACCESSORY PARTS LIST

NOTE: NOT ALL OPTIONS AVAILABLE FOR ALL PRODUCTS

FOR ACCESSORY PARTS SEE THE FOLLOWING PART MANUAL

RP-FIOPLC*

RP-EHS[D/B]LC*

RP-EHX[D/B]LC*

ACCESSORY PARTS LIST

| Ref. Part No: | No: | Description: | Ref. Part No: | No: | Description: |
|---------------|-----|--------------|---------------|-----|--------------|
|---------------|-----|--------------|---------------|-----|--------------|

Image 1:

| | | |
|----|------------|-----------------------|
| NS | RP-FIOPLC* | ACCESSORY PART MANUAL |
| NS | RP-EHSBLC* | HEATER KIT MANUAL |
| NS | RP-EHSDLC* | HEATER KIT MANUAL |
| NS | RP-EHXBLC* | HEATER KIT MANUAL |
| NS | RP-EHXDLC* | HEATER KIT MANUAL |

Expanded Model Nomenclature

- | |
|--------------------|
| M1 - DBC1803VDDCAA |
| M2 - DBC1804VDDCAA |
| M3 - DBC1807VDDCAA |