

Commercial 15 Ton 2-Speed Package Cooling Units

DBC1803SAA
DBC1803VAA
DBC1804SAA
DBC1804VAA
DBC1807SAA
DBC1807VAA



This manual is to be used by qualified technicians only.

Important Information

Index

Functional Parts List	3
Illustration and Parts	4 - 15

Views shown are for parts illustrations only, not servicing procedures

Text Codes:

AR - As Required

NA - Not Available

NS - Not Shown

00000000 - See Note

QTY - Quantity Example (QTY 3) (If Quantity not shown, Quantity = 1)

M - Model Example (M1) (If M Code not shown, then part is used on all Models)

Expanded Model Nomenclature:

Example M1 - Model#1 M2 - Model#2 M3 - Model#3

Daikin Company, L.P. is not responsible for personal injury or property damage resulting from improper service. Review all service information before beginning repairs.

Warranty service must be performed by an authorized technician, using authorized factory parts. If service is required after the warranty expires, Daikin Company, L.P. also recommends contacting an authorized technician and using authorized factory parts.

Daikin Company, L.P. reserves the right to discontinue, or change at any time, specifications or designs without notice or without incurring obligations.

For assistance within the U.S.A. contact:

Equipment Support
Daikin North America, LLC
19001 Kermier Road
Waller, Texas 77484
855-770-5678-Telephone
713-863-2382-Facsimile

For assistance outside the U.S.A. contact:

International Division
Daikin North America, LLC
19001 Kermier Road
Waller, Texas 77484
713-861-2500-Telephone
713-863-2382-Facsimile

Functional Parts

Part

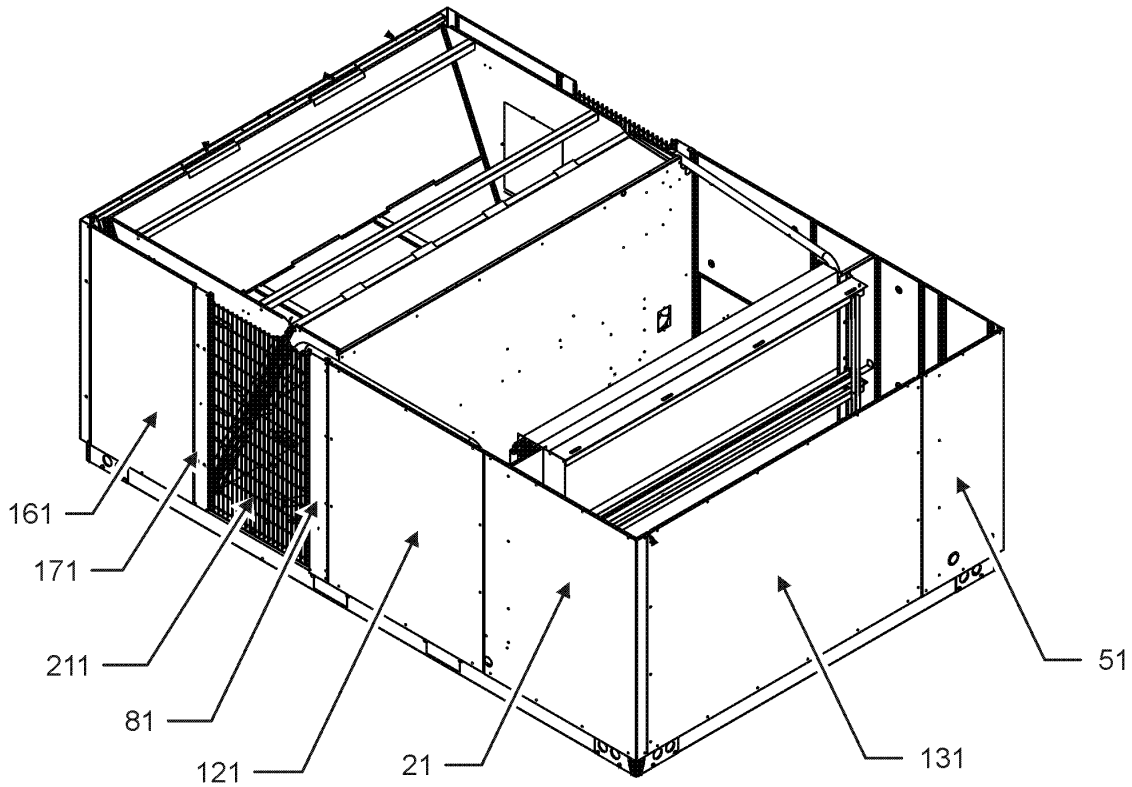
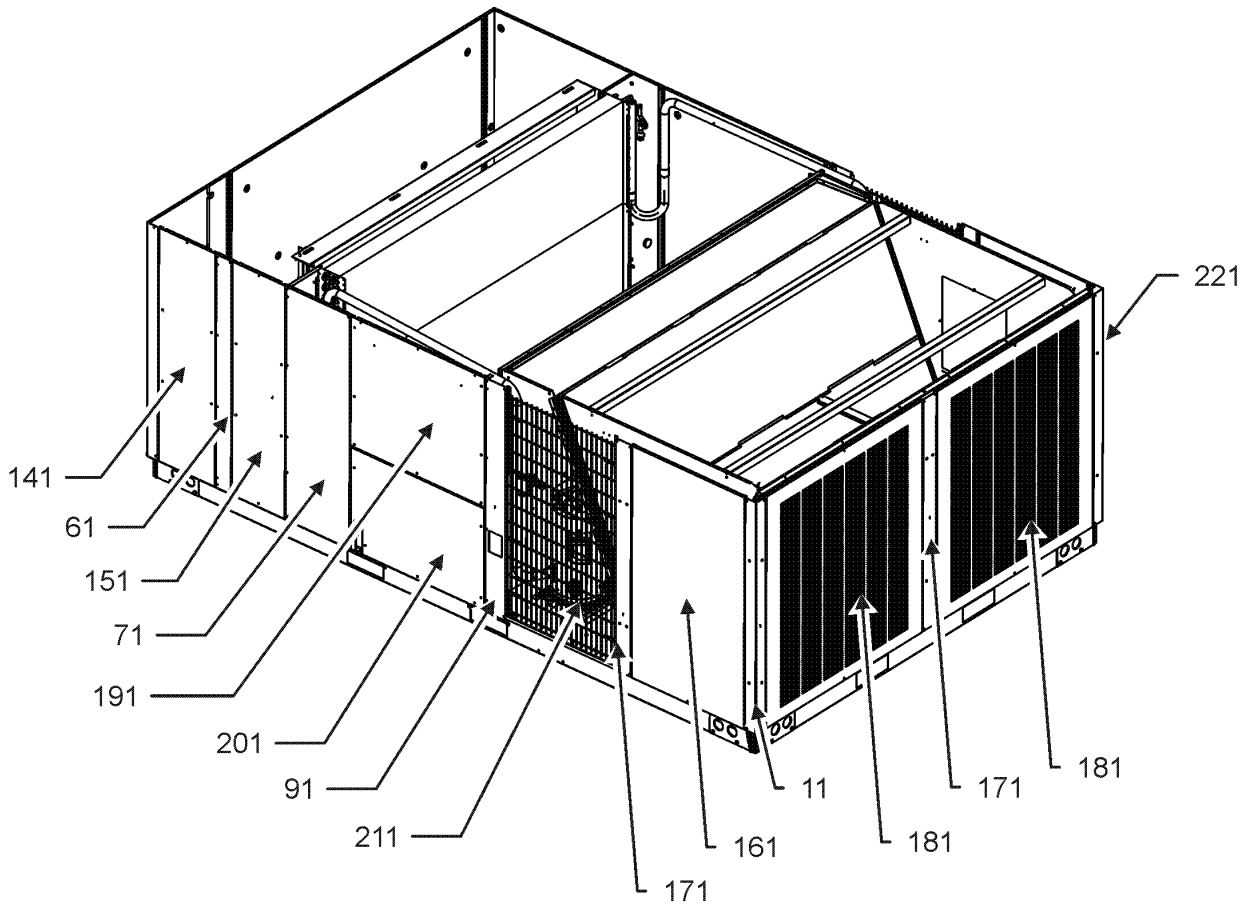
No: Description:

0271L00026	150-12R BD 1.18 TWIN BLOWER
0130M00242	24V RELAY (QTY 2)
0130M00025	24V RELAY (QTY 2)
CAP100000370LA	CAPACITOR 10/370V (M1, M2, M3, M4)
CAP050000440LA	CAPACITOR 5/440V (M5, M6)
ZP83KCETF5250	COMPRESSOR 83000, 200/230/60/3 (M1, M2)
ZP83KCETFD130	COMPRESSOR 83000, 460/60/3 (M3, M4)
ZP83KCETFE130	COMPRESSOR 83000, 575/60/3 (M5, M6)
0161R00003P	CONDUIT (QTY 3)
CONT3P030024V	CONTACTOR 30 AMP, 3P, 24V (M3, M4, M5, M6)
CONT3P040024V	CONTACTOR 40 AMP, 3P, 24V (M1, M2)
0130L00019	CRANK CASE HEATER, 70W, 575V (M5, M6)
0130L00017	CRANK CASE HEATER-70W 240V (M1, M2)
0130L00018	CRANK CASE HEATER-70W, 480V (M3, M4)
0164L00006	FAN BELT, NOTCHED (M1, M3, M5)
0164L00004	FAN BELT-NOTCHED (M2, M4, M6)
10625733	FAN BLADE 22" ALUM CCW (QTY 3)
0130M00074	HIGH PRESSURE SWITCH (QTY 2)
0130M00087	LOW PRESSURE SWITCH (QTY 2)
0131L00024	MOTOR, 3 HP BELT DRIVE 230V (M2)
0131L00030	MOTOR, 3 HP BELT DRIVE 460 V (M4)
0131L00027	MOTOR, 3 HP BELT DRIVE 575 V (M6)
0131L00118	MOTOR, 7.5 H.P. (M3)
0131L00119	MOTOR, 7.5 H.P. (M5)
0131L00117	MOTOR, 7.5 H.P. (M1)
0131M00907	MOTOR, HP, 1/3, OD (M3, M4)
0131M00908	MOTOR, HP, 1/3, OD, LAK (M5, M6)
0131M00906	MOTOR, HP, 1/3, SP, 1, PL, 6 (M1, M2)
PCBFM103	PCB, TIME DELAY, EBTDR
10135604	RELAY (QTY 2)
0130M00038	TERMINAL BOARD
0130L00205	TRANSFORMER (M1, M2)
0130L00206	TRANSFORMER (M3, M4)
0130L00207	TRANSFORMER (M5, M6)
0151L00011	VALVE, TXV R-410A (QTY 8)

Expanded Model Nomenclature

M1 - DBC1803SAA
M2 - DBC1803VAA
M3 - DBC1804SAA
M4 - DBC1804VAA
M5 - DBC1807SAA
M6 - DBC1807VAA

Cabinet Assembly



Cabinet Assembly

Ref. Part No:	Ref. Part No:	Description:	Description:
---------------	---------------	--------------	--------------

Image 1:

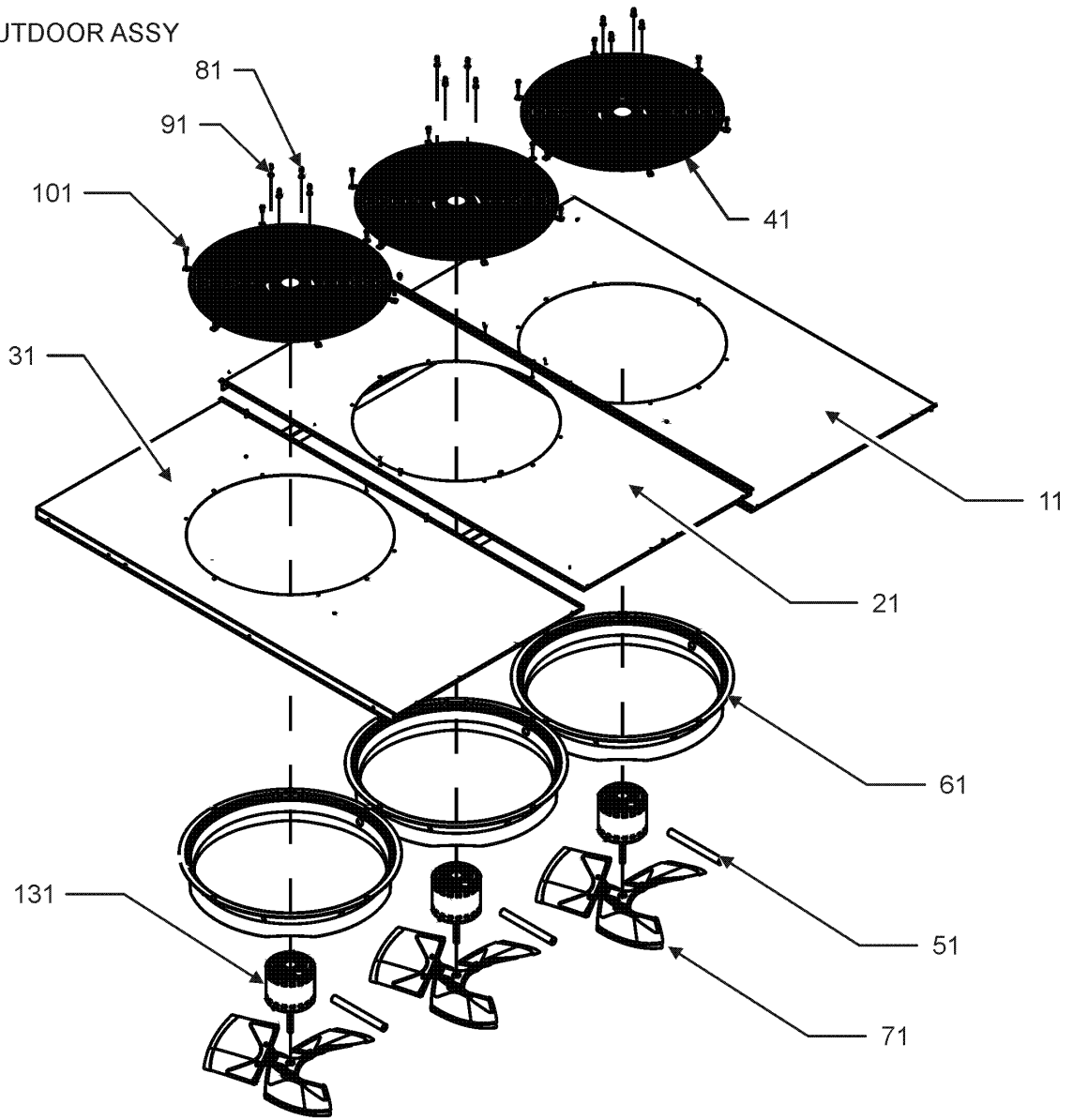
11	0121L01143SB	CORNER POST (QTY 2)
21	0121L00681SB	EVAP PANEL
51	0121L00679SB	CONTROL CORNER PANEL
61	0121L02048SB	CONTROL/FILTER POST
71	0121L00710SB	BLOWER DOOR POST
81	0121L00903SB	POST-PARTITION, EVAP SIDE
91	0121L00906SB	POST-PARTITION, (COOL) HT
121	0121L00685SB	BLOWER DOOR, EVAP SIDE
131	0121L00688SB	ACCESSORY PANEL
141	0121L00687SB	PNT, DOOR-CONTROL
151	0121L00686SB	FILTER DOOR
161	0121L00907SB	PANEL-CONDENSER SIDE (QTY 2)
171	0121L01144SB	POST, COND PANEL (QTY 3)
181	0121L01174SB	PANEL-LOUVER, END (QTY 2)
191	0121L00713SB	BLOWER DOOR GAS
201	0121L00708SB	DOOR-ELECTRIC HEAT
211	0152L00000	GRILLE-CONDENSER (QTY 2)
221	0121L00476SB	PNT, TURNBUCKLE, DOOR (QTY 16)
NS	M0204317	SCREW-MACH (QTY 16)

Expanded Model Nomenclature

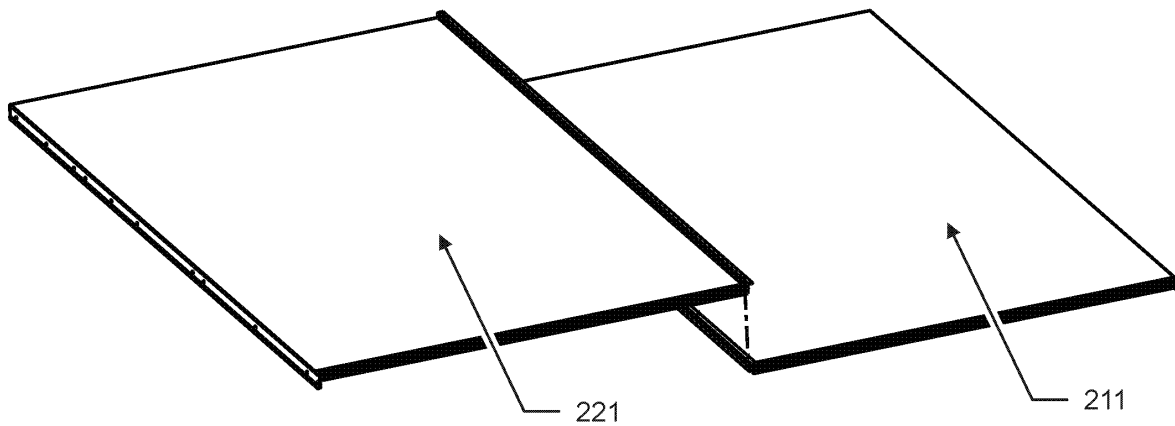
- | |
|-----------------|
| M1 - DBC1803SAA |
| M2 - DBC1803VAA |
| M3 - DBC1804SAA |
| M4 - DBC1804VAA |
| M5 - DBC1807SAA |
| M6 - DBC1807VAA |

Top Panel Indoor/Outdoor Assembly

TOP PANEL OUTDOOR ASSY



TOP PANEL INDOOR ASSY



Top Panel Indoor/Outdoor Assembly

Ref. Part No:	No:	Description:	Ref. Part No:	No:	Description:
---------------	-----	--------------	---------------	-----	--------------

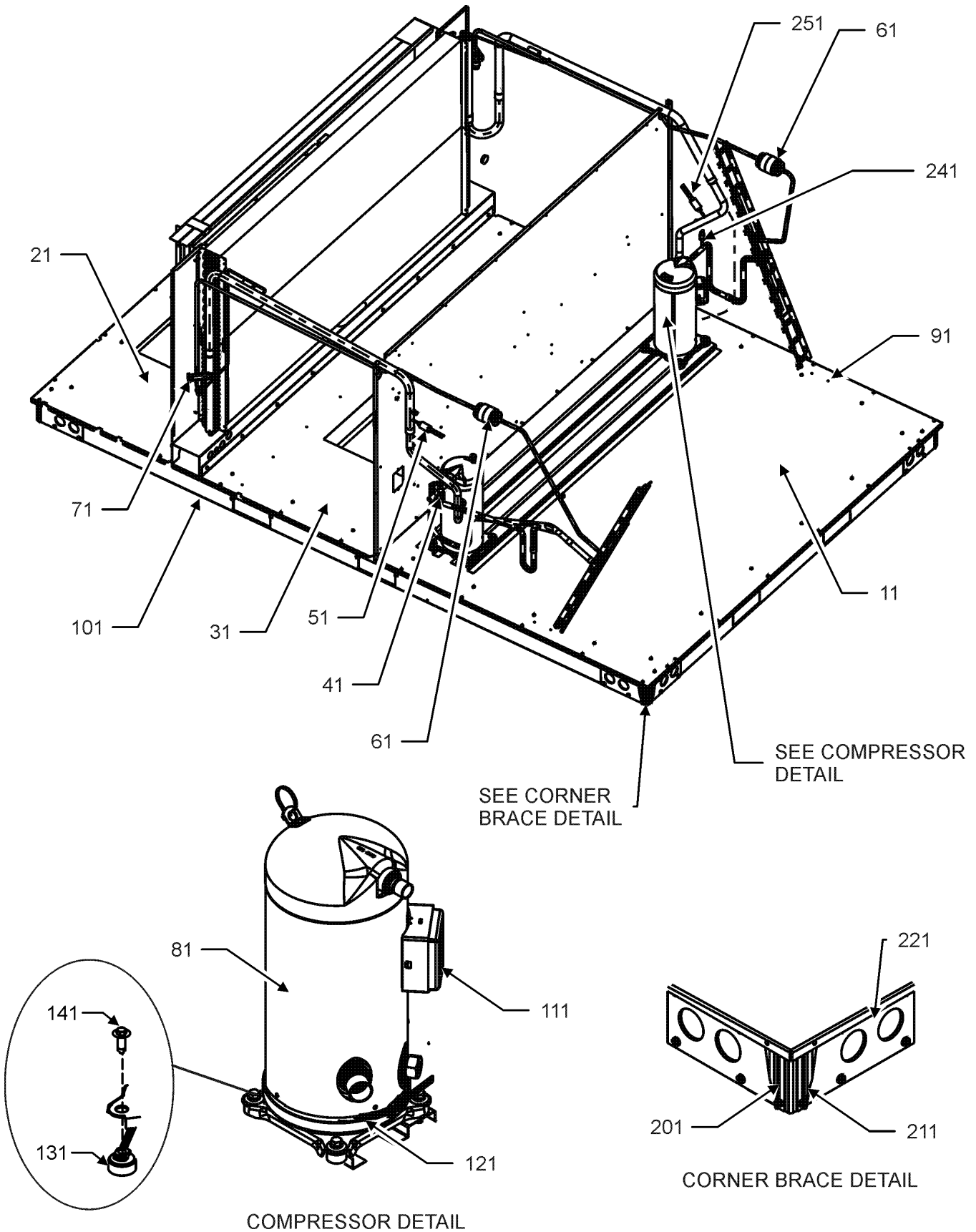
Image 1:

11	0121L01038SB	PNT, TOP-FAN, CONTROL SIDE
21	0121L01039SB	PNT, TOP-FAN, CENTER
31	0121L01040SB	PNT, TOP-FAN, EVAP SIDE
41	0152G00003	FAN GRILLE (QTY 3)
51	0161R00003P	CONDUIT (QTY 3)
61	0161L00000	VENTURI RING 22" (QTY 3)
71	10625733	FAN BLADE 22" ALUM CCW (QTY 3)
81	0163M00006P	ACORN NUT 5/16 HEX BLACK (QTY 12)
91	0163M00005P	WASHER BLACK (.50 OD .218ID) (QTY 12)
101	0163M00004	SCREW #10X3/4", BLACK (QTY 24)
131	0161R00003P	CONDUIT (QTY 3)
131	0131M00907	MOTOR, HP, 1/3, OD (M3, M4)
131	0131M00908	MOTOR, HP, 1/3, OD, LAK (M5, M6)
131	0131M00906	MOTOR, HP, 1/3, SP, 1, PL, 6 (M1, M2)
211	0121L00693SB	TOP, CONTROL SIDE
221	0121L00694SB	TOP, EVAP SIDE
NS	M0272803	WASHER-LOCK (QTY 3)

Expanded Model Nomenclature

M1 - DBC1803SAA
M2 - DBC1803VAA
M3 - DBC1804SAA
M4 - DBC1804VAA
M5 - DBC1807SAA
M6 - DBC1807VAA

Tubing Assembly



Tubing Assembly

Ref. Part No:	Part No:	Description:	Ref. Part No:	Part No:	Description:
---------------	----------	--------------	---------------	----------	--------------

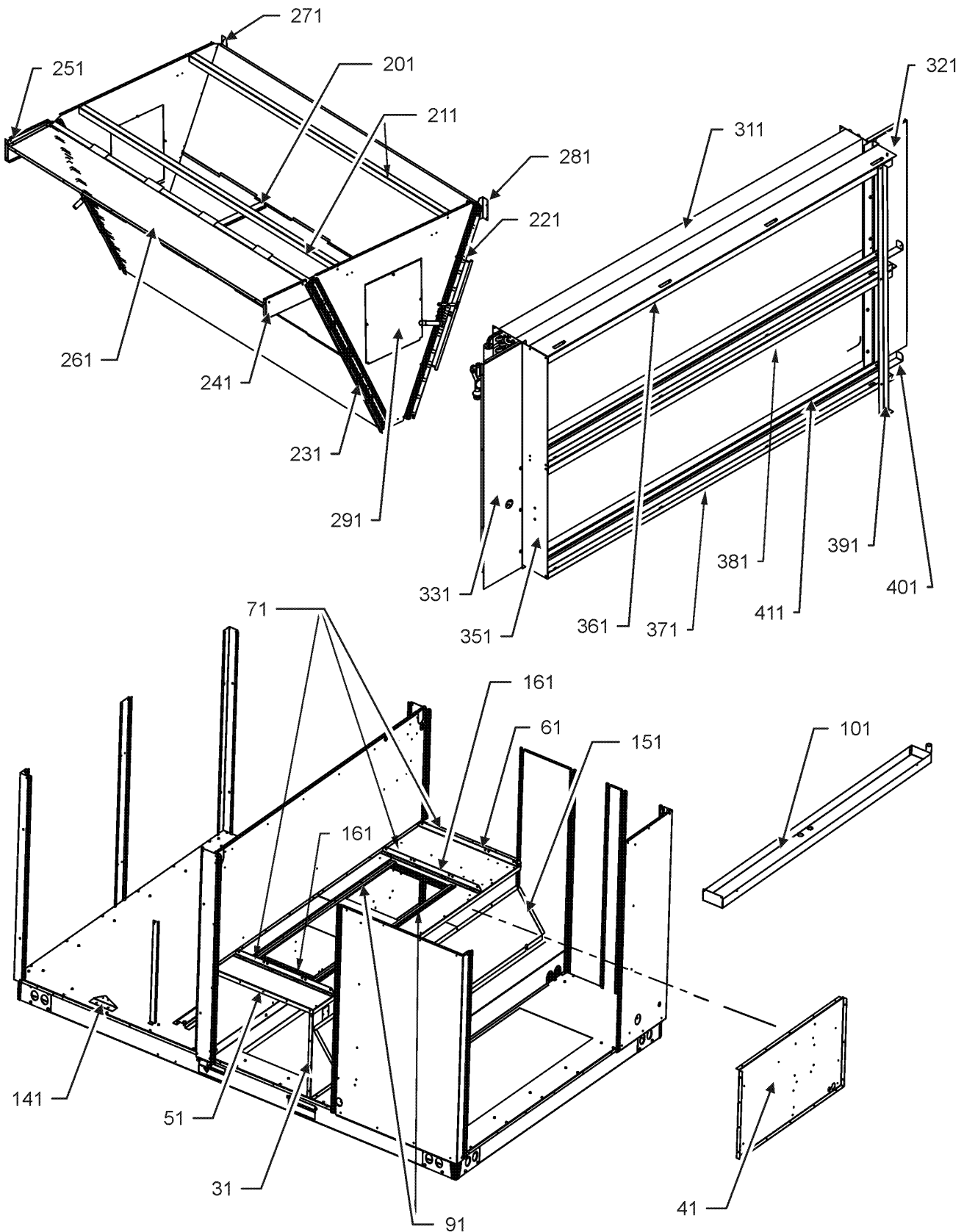
Image 1:

11	0121L00902	BASEPAN-OUTDOOR
21	0121L00947	BASEPAN-RETURN
31	0121L00948	BASEPAN-SUPPLY
41	0130M00074	HIGH PRESSURE SWITCH
51	0130M00087	LOW PRESSURE SWITCH
61	0151M00012	BI-FLOW FILTER DRIER
71	0151L00011	VALVE, TXV R-410A (QTY 8)
81	ZP83KCET5250	COMPRESSOR 83000, 200/230/60/3 (M1, M2)
81	ZP83KCETFD130	COMPRESSOR 83000, 460/60/3 (M3, M4)
81	ZP83KCETFE130	COMPRESSOR 83000, 575/60/3 (M5, M6)
91	0121L00720	SIDE RAIL
101	0121L00719	CONTROL SIDE BASE RAIL
111	0159L00020	COMPRESSOR SCROLL HARNESS (M1, M2)
111	0159L00021	COMPRESSOR SCROLL HARNESS (M1, M2)
111	0159L00071	Harness, compressor (M3, M4, M5, M6)
111	0159L00070	Harness, compressor 460V (M3, M4, M5, M6)
121	0130L00019	CRANK CASE HEATER, 70W, 575V (M5, M6)
121	0130L00017	CRANK CASE HEATER-70W 240V (M1, M2)
121	0130L00018	CRANK CASE HEATER-70W, 480V (M3, M4)
131	0164M00018	COMPRESSOR GROMMET (QTY 8)
141	B1393740	COMPRESSOR BOLT & SLEEVE (QTY 8)
201	0121L00616	RAIL BRACE ANGLE, RIGHT (QTY 4)
211	0121L00617	RAIL BRACE ANGLE, LEFT (QTY 4)
221	0121L00723	BASE RAIL CORNER BRACE (QTY 4)
241	0130M00074	HIGH PRESSURE SWITCH
251	0130M00087	LOW PRESSURE SWITCH
NS	0121L00722	BASE RAIL, ACCESSORY END
NS	0121L00721	BASE RAIL, CONDENSER END (QTY 2)
NS	0163M00175	CAP WITH O-RING (QTY 4)
NS	0121L00625	COMPRESSOR RAIL BRACKET (QTY 4)
NS	0141L00029	FORK BOARD (QTY 2)
NS	0121L00724	FORK BOARD BRACKET (QTY 4)
NS	0121L00605	FORK BOARD PLATE

Expanded Model Nomenclature

M1 - DBC1803SAA
M2 - DBC1803VAA
M3 - DBC1804SAA
M4 - DBC1804VAA
M5 - DBC1807SAA
M6 - DBC1807VAA

Condenser, Evaporator and Partition Assy



Condenser, Evaporator and Partition Assy

Ref. Part No: No:	Description:	Ref. Part No: No:	Description:
-------------------	--------------	-------------------	--------------

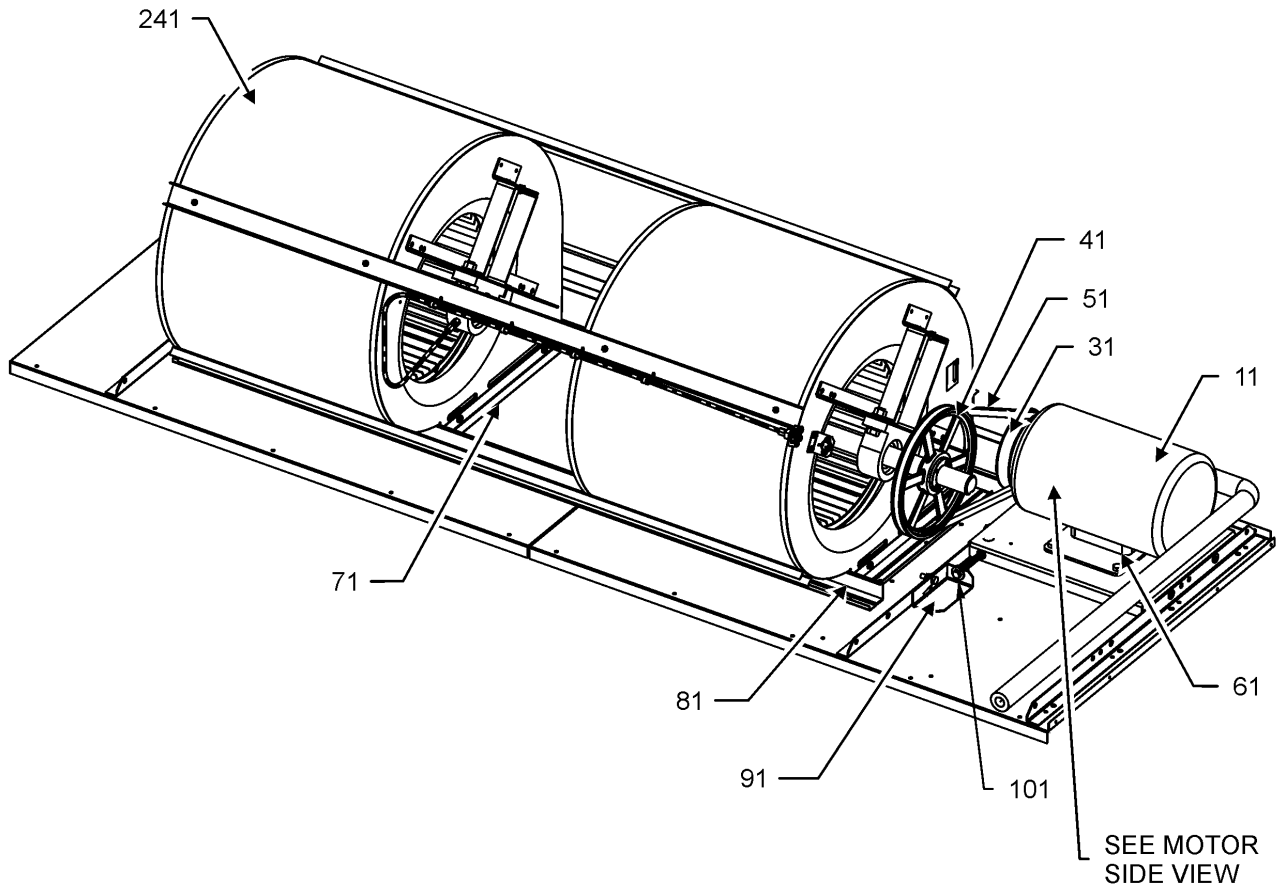
Image 1:

31	0121L01163	DECK, SIDE DUCT END
41	0121L01162	DECK, SIDE HEAT END
51	0121L00652	BLOWER DECK, EVAP SIDE
61	0121L00653	BLOWER DECK, MOTOR SIDE (M2, M4, M6)
61	0121L01060	DECK-BLOWER, MOTOR END (M1, M3, M5)
71	0121L01431	MOTOR MOUNT ANGLE (QTY 3)
91	0121L00478	BLOWER DECK RAIL (QTY 2)
101	0270L00612DG	DRAIN PAN
141	0121L00913	BRACKET-COND/BASEPAN (QTY 2)
151	0121L01158	SHIELD, BLOWOFF
161	0121L00481	BLOWER RAIL (QTY 2)
201	0121L00901	BRACE-COND COILS (QTY 2)
211	0121L01037	ANGLE, TOP BRACE (QTY 2)
221	0201L00123	CONDENSER COIL ASSY, C1
231	0201L00124	CONDENSER COIL ASSY C2
241	0121L01154	BRACKET, CONDENSER END C1
251	0121L01156	BRACKET, CONDENSER END C2
261	0121L00572	CONDENSER BLOCKOFF, INSIDE TOP
271	0121L01155	BRACKET, COND/POST C1
281	0121L01153	BRACKET, COND/POST C2
291	0121L00910	COVER-COIL CLEANING (QTY 2)
311	0202L00047	EVAPORATOR COIL ASSY (QTY 2)
321	0121L00698	EVAPORATOR BLOCKOFF PANEL
331	0121L00848	PANEL-EVAPORATOR, SMOKE DET
351	0121L00933	ANGLE-FILTER, LEFT VERTICAL
361	0121L01180	TOP ANGLE FILTER
371	0121L01179	BOTTOM FILTER RACK
381	0270L00658	CENTER FILTER RACK
391	0121L00632	FILTER SUPPORT ANGLE
401	0121L00640	FILTER PULL (QTY 2)
411	0121L00703	BOTTOM BLOCKOFF, FILTER RACK
NS	0160L00137	FILTER, 20 X 25 X 2, STANDARD (QTY 6)
NS	0121L00321	SMOKE DETECTOR COVER

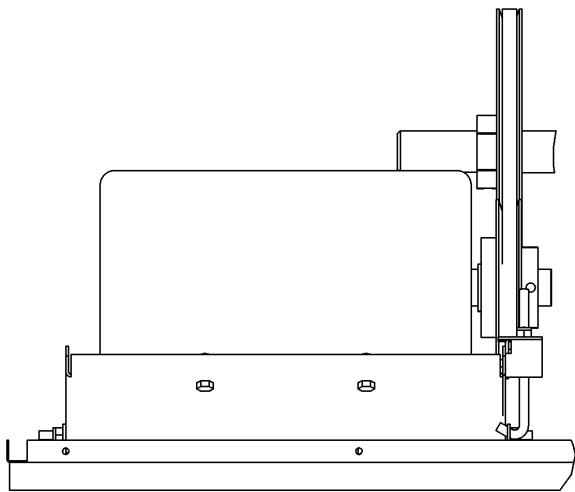
Expanded Model Nomenclature

- | |
|-----------------|
| M1 - DBC1803SAA |
| M2 - DBC1803VAA |
| M3 - DBC1804SAA |
| M4 - DBC1804VAA |
| M5 - DBC1807SAA |
| M6 - DBC1807VAA |

Blower Motor Assembly



MOTOR SIDE VIEW



Blower Motor Assembly

Ref. Part No:	No:	Description:	Ref. Part No:	No:	Description:
---------------	-----	--------------	---------------	-----	--------------

Image 1:

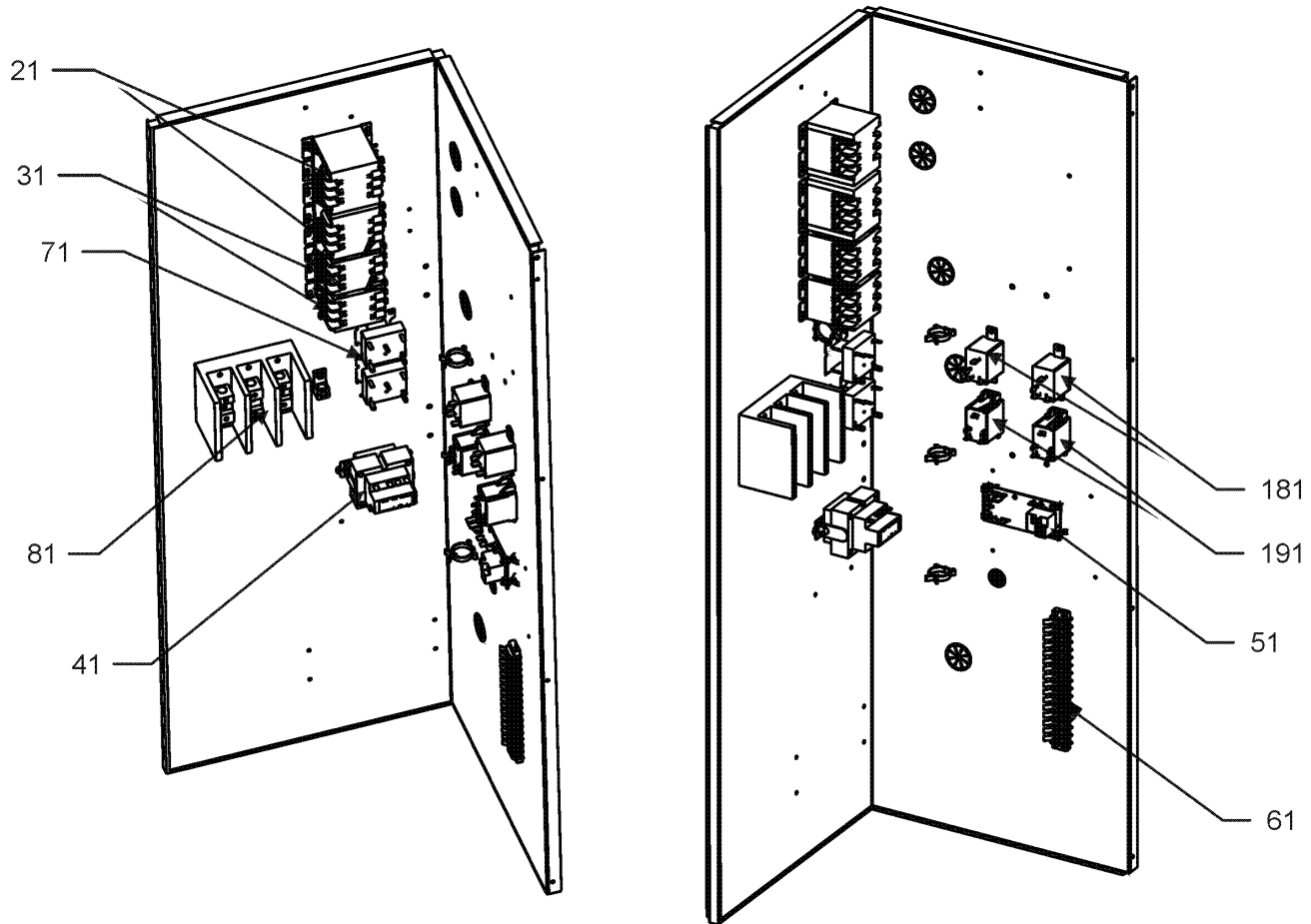
11	0131L00024	MOTOR, 3 HP BELT DRIVE 230V (M2)
11	0131L00030	MOTOR, 3 HP BELT DRIVE 460 V (M4)
11	0131L00027	MOTOR, 3 HP BELT DRIVE 575 V (M6)
11	0131L00117	MOTOR, 7.5 H.P. (M1)
11	0131L00118	MOTOR, 7.5 H.P. (M3)
11	0131L00119	MOTOR, 7.5 H.P. (M5)
31	0163L00035	VARIABLE PITCH SHEAVE (M2, M4, M6)
41	0163L00139	SHEAVE, FIXED BK100H (M2, M4, M6)
41	0163L00140	SHEAVE, FIXED BK90H (M1, M3, M5)
51	0164L00006	FAN BELT, NOTCHED (M1, M3, M5)
51	0164L00004	FAN BELT-NOTCHED (M2, M4, M6)
61	0121L01430	BASE, MOTOR
71	0121L00482	BLOWER SIDE ANGLE (QTY 4)
81	0121L00654	BLOWER RAIL (QTY 2)
91	0121L01429	BRACKET, DRIVE SCREW
101	0163M00351	BOLT, 3/8-16-6
241	0271L00026	150-12R BD 1.18 TWIN BLOWER

Expanded Model Nomenclature

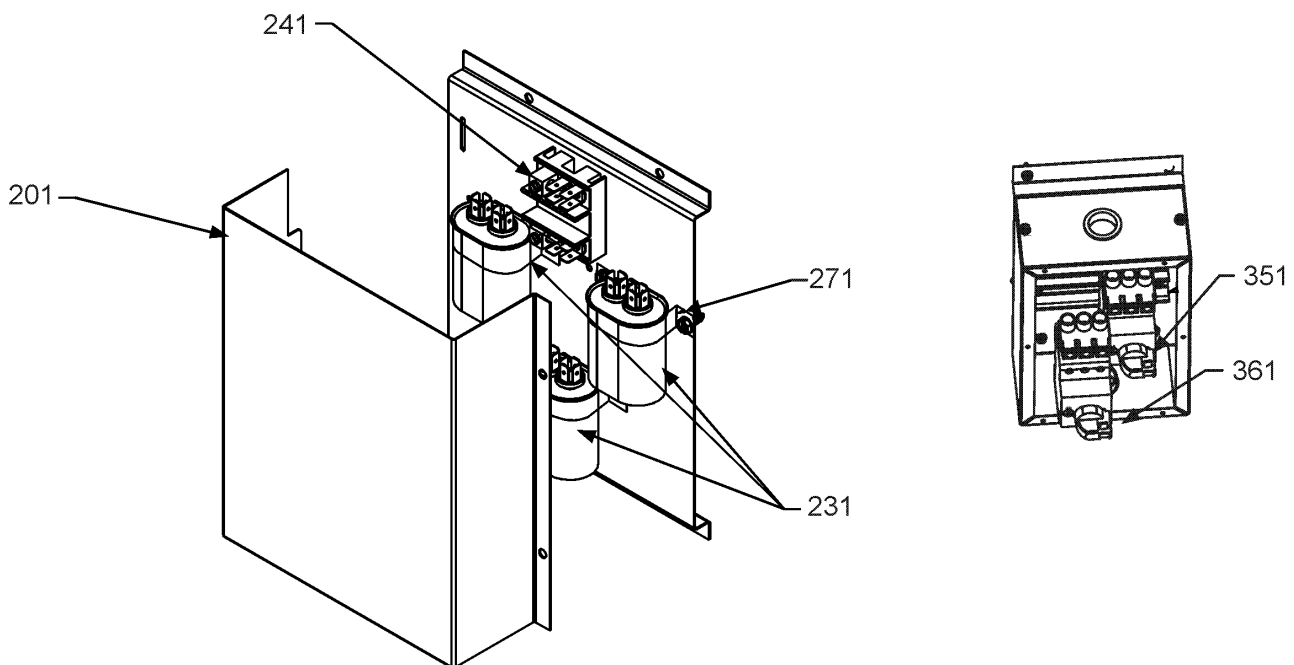
- | |
|-----------------|
| M1 - DBC1803SAA |
| M2 - DBC1803VAA |
| M3 - DBC1804SAA |
| M4 - DBC1804VAA |
| M5 - DBC1807SAA |
| M6 - DBC1807VAA |

Control Panel Assembly

CONTROL PANEL ASSEMBLY



CAPACITOR ASSEMBLY



Control Panel Assembly

Ref. Part No:	Part No:	Description:	Ref. Part No:	Part No:	Description:
---------------	----------	--------------	---------------	----------	--------------

Image 1:

21	CONT3P030024V	CONT, 3 POLE, 30 AMP, 24 VAC (M3, M4, M5, M6)
21	CONT3P040024V	CONTACTOR 40 AMP, 3P, 24V (M1, M2)
31	CONT3P030024V	CONT, 3 POLE, 30 AMP, 24 VAC (M3, M4, M5, M6)
31	CONT3P040024V	CONTACTOR 40 AMP, 3P, 24V (M1, M2)
41	0130L00205	TRANSFORMER (M1, M2)
41	0130L00206	TRANSFORMER (M3, M4)
41	0130L00207	TRANSFORMER (M5, M6)
51	PCBFM103	PCB, TIME DELAY, EBTDR
61	0130M00038	TERMINAL BOARD
81	0130M00042	BLOCK, DISTRIB. 7.5-25 TON
171	0130M00025	24V RELAY (QTY 2)
181	0130M00242	24V RELAY (QTY 2)
191	10135604	RELAY (QTY 2)
201	0121L00586	CAPACITOR COVER
231	CAP100000370LA	CAPACITOR 10/370V (M1, M2, M3, M4)
231	CAP050000440LA	CAPACITOR 5/440V (M5, M6)
241	B1368250	TERMINAL BLOCK (HIGH VOLTAGE)
271	20520901	CAPACITOR STRAP (QTY 3)
351	0130L00070	ROTARY MANUAL MOTOR PROTECTOR (M4)
351	0130L00082	ROTARY MANUAL MOTOR PROTECTOR (M6)
351	0130L00084	ROTARY MANUAL MOTOR PROTECTOR (M2, M3, M5)
361	0130L00082	ROTARY MANUAL MOTOR PROTECTOR (M6)
361	0130L00083	ROTARY MANUAL MOTOR PROTECTOR (M4)
NS	0259L00185	BLOWER RELAY HARNESS
NS	0259L00186	BLOWER RELAY HARNESS
NS	0259L00190	CIRCUIT BREAKER HARNESS
NS	0259L00118	CONDENSER FAN HARNESS, LONG
NS	0259L00117	CONDENSER FAN HARNESS, MEDIUM
NS	0259L00116	CONDENSER FAN HARNESS, SHORT
NS	0259L00183	CRANK CASE HEATER WIRE HARNESS
NS	0159L00052	HARNESS JUMPER LONG
NS	0259L00164	HARNESS, ECONOMIZER AC
NS	0259L00107	HARNESS, E-HEAT
NS	0159L00051	HARNESS, JUMPER SHORT
NS	0259L00181	HARNESS-BELT DRIVE 2 SP MOTOR
NS	0259L00187	ISO RELAY HARNESS
NS	0259L00170	TERMINAL BOARD HARNESS
NS	0259L00171	TRANSFORMER HARNESS
NS	0259L00184	TRANSFORMER HARNESS
NS	0259L00169	WIRE HARNESS ASSY
NS	0259L00175	WIRE HARNESS ASSY
NS	0259L00176	WIRE HARNESS ASSY

Expanded Model Nomenclature

M1 - DBC1803SAA
M2 - DBC1803VAA
M3 - DBC1804SAA
M4 - DBC1804VAA
M5 - DBC1807SAA
M6 - DBC1807VAA