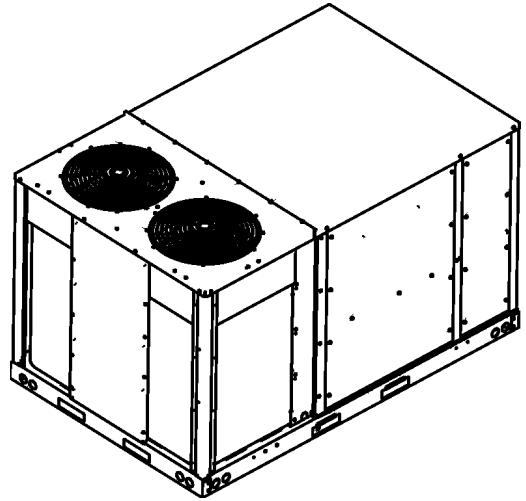


DBC 10 Ton Package Cooling Unit

DBC1203V000001SAA
DBC1204V000001SAA
DBC1207V000001SAA



This manual is to be used by qualified technicians only.

Important Information

Index

Functional Parts List	3
Illustration and Parts	4 - 15

Views shown are for parts illustrations only, not servicing procedures

Text Codes:

AR - As Required

NA - Not Available

NS - Not Shown

00000000 - See Note

QTY - Quantity Example (QTY 3) (If Quantity not shown, Quantity = 1)

M - Model Example (M1) (If M Code not shown, then part is used on all Models)

Expanded Model Nomenclature:

Example M1 - Model#1 M2 - Model#2 M3 - Model#3

Daikin Company, L.P. is not responsible for personal injury or property damage resulting from improper service. Review all service information before beginning repairs.

Warranty service must be performed by an authorized technician, using authorized factory parts. If service is required after the warranty expires, Daikin Company, L.P. also recommends contacting an authorized technician and using authorized factory parts.

Daikin Company, L.P. reserves the right to discontinue, or change at any time, specifications or designs without notice or without incurring obligations.

For assistance within the U.S.A. contact:

Equipment Support
Daikin North America, LLC
19001 Kermier Road
Waller, Texas 77484
855-770-5678-Telephone
713-863-2382-Facsimile

For assistance outside the U.S.A. contact:

International Division
Daikin North America, LLC
19001 Kermier Road
Waller, Texas 77484
713-861-2500-Telephone
713-863-2382-Facsimile

Functional Parts

Part

No: Description:

10625733	BLADE-FAN 22" ALUM CCW (QTY 2)
CAP100000370LA	CAP, 10 MFD/370V/OVAL (M1, M2)
CAP050000440LA	CAPACITOR (M3)
ZP51K5ETFE130	COMP, 5100, 575/60/3 (M3)
ZP51K5ETF5130	COMP,51000,208/230/60/3 (M1)
ZP51K5ETFD130	COMP,51000,460/60/3 (M2)
CONT3P030024V	CONT, 3 POLE 30 AMP 24VAC (QTY 4)
0130M00178	DPDT RELAY 24VAC (QTY 2)
0130M00074	HIGH PRESSURE SWITCH
0130M00087	LOW PRESSURE SWITCH
0131L00041	MOTOR 2 HP BELT DRIVE 208-230V (M1)
0131L00043	MOTOR 2HP BELT DRIVE 460V (M2)
0131L00042	MOTOR 2HP BELT DRIVE 575V (M3)
0131M00907	MOTOR, HP, 1/3, OD (M2)
0131M00908	MOTOR, HP, 1/3, OD, LAK (M3)
0131M00906	MOTOR, HP, 1/3, SP, 1, PL, 6 (M1)
PCBFM103	PCB TIME DELAY EBTDR
B1370772	TIME DEALY ICM 180SEC DELA (QTY 2)
0130M00598	TRANSFMR, 75VA, 575V TO 24V (M3)
0130M00594	TRANSFORMER (M1)
0130M00595	TRANSFORMER, 75VA, 480V TO 24V (M2)

SPECIAL PARTS

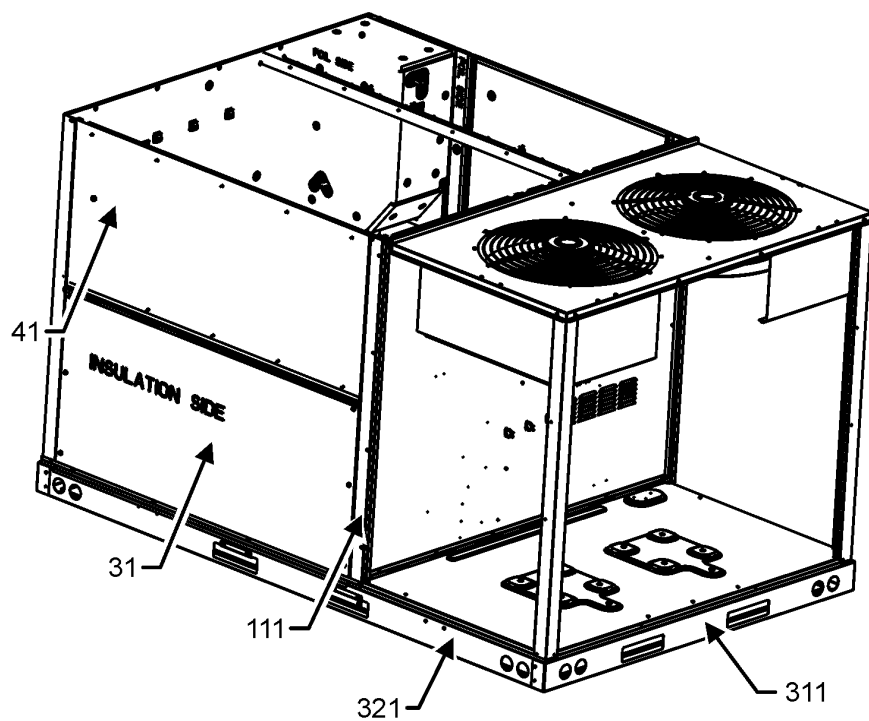
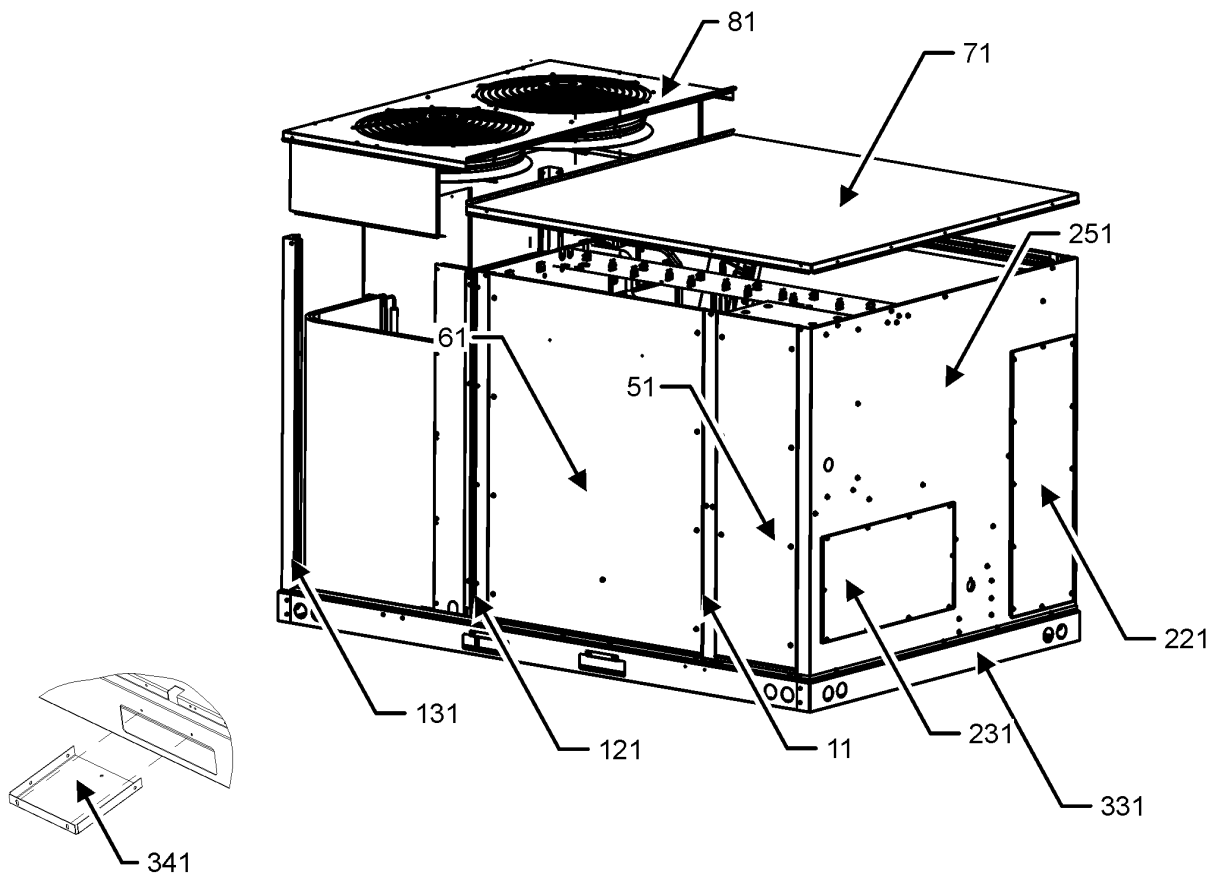
RP-FIOPMC*	ACCESSORY RP MANUAL
RP-EHX(D/B)MC*	HEATER KIT RP MANUAL
RP-EHS(D/B)MC*	HEATER KIT RP MANUAL

Expanded Model Nomenclature

M1 - DBC1203V000001SAA
M2 - DBC1204V000001SAA
M3 - DBC1207V000001SAA

CABINET ASSEMBLY

CABINET ASSEMBLY



NOTE: CABINET ASSEMBLY
MAY DIFFER FROM
WHAT IS SHOWN

CABINET ASSEMBLY

Ref. Part No:	No:	Description:	Ref. Part No:	No:	Description:
---------------	-----	--------------	---------------	-----	--------------

Image 1:

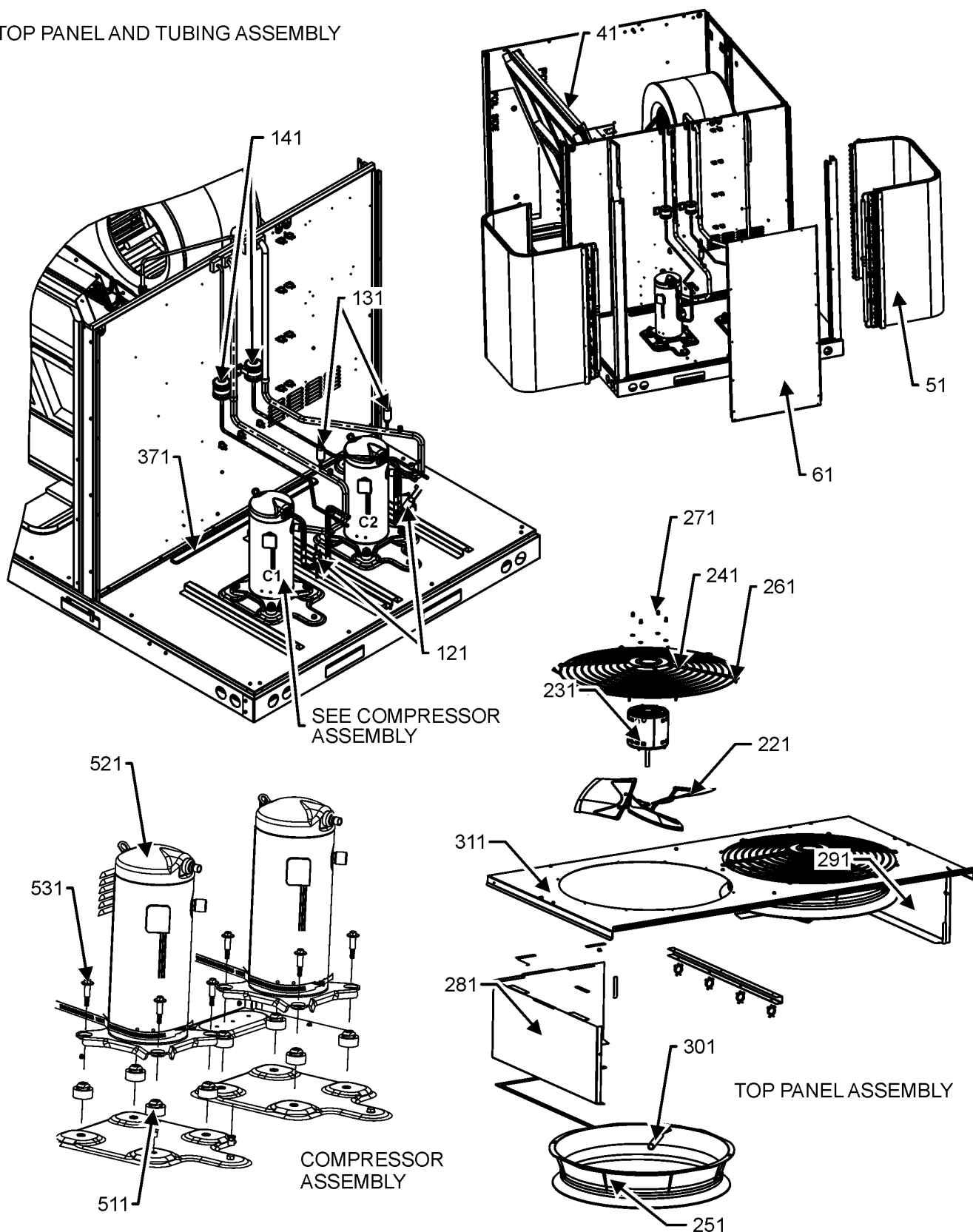
11	0121L04041SB	PAINTED, PANEL, SIDE POST
31	0121L04022SB	PAINTED, ECONOMIZER PANEL
41	0121L03188SB	PAINTED FILTER PANEL 7.5 TON
51	0121L02952SB	PAINTED CONTROL PANEL
61	0121L03821SB	PAINTED BLOWER PANEL
71	0121L02428SB	PAINTED, INDOOR TOP PANEL
81	0121L03573SB	PAINTED, OUTDOOR TOP PANEL
111	0121L03187SB	PAINTED, SIDE POST
121	0121L03469SB	PAINTED, SIDE POST
131	0121L03902SB	PAINTED, PANEL, CORNER POST (QTY 2)
221	0121L03508SB	PAINTED COVER DUCT RETURN
231	0121L02921SB	PAINTED COVER DUCT SUPPLY
251	0121L04047SB	PAINTED, PANEL, DUCT
311	0121L03857	BASE RAIL (QTY 2)
321	0121L01910	END RAIL
331	0121L01920	END RAIL
341	0121L03727	BRACKET-FORK BOARD (QTY 4)
NS	0141L00084	BOARD FORK (QTY 2)

Expanded Model Nomenclature

M1 - DBC1203V000001SAA
M2 - DBC1204V000001SAA
M3 - DBC1207V000001SAA

TOP PANEL AND TUBING ASSEMBLY

TOP PANEL AND TUBING ASSEMBLY



TOP PANEL AND TUBING ASSEMBLY

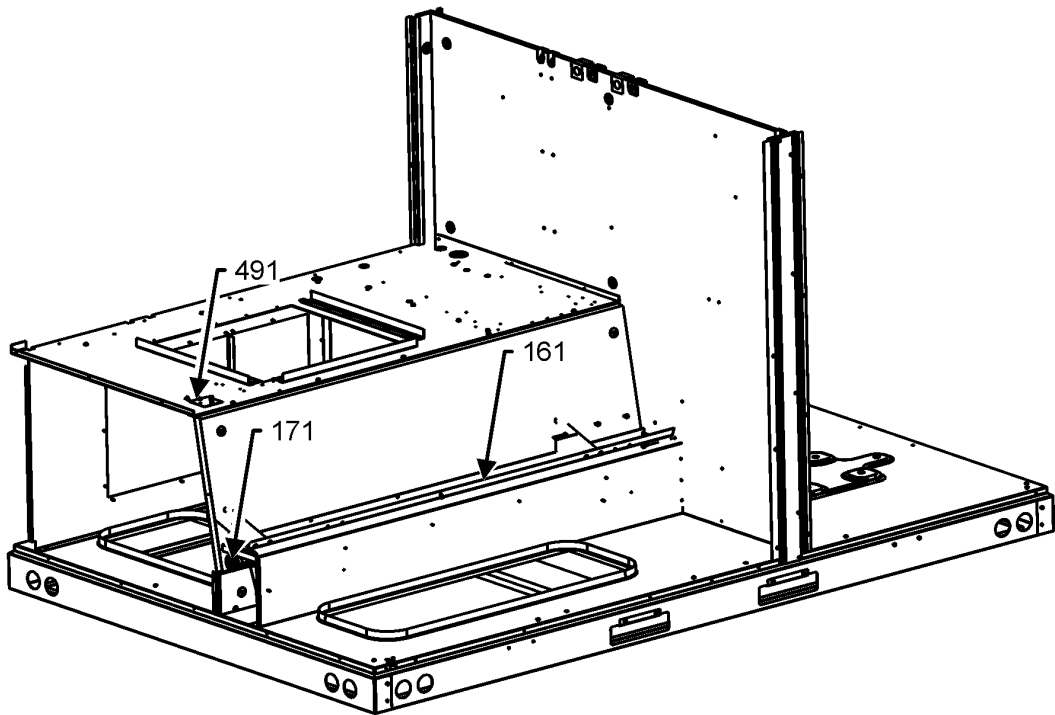
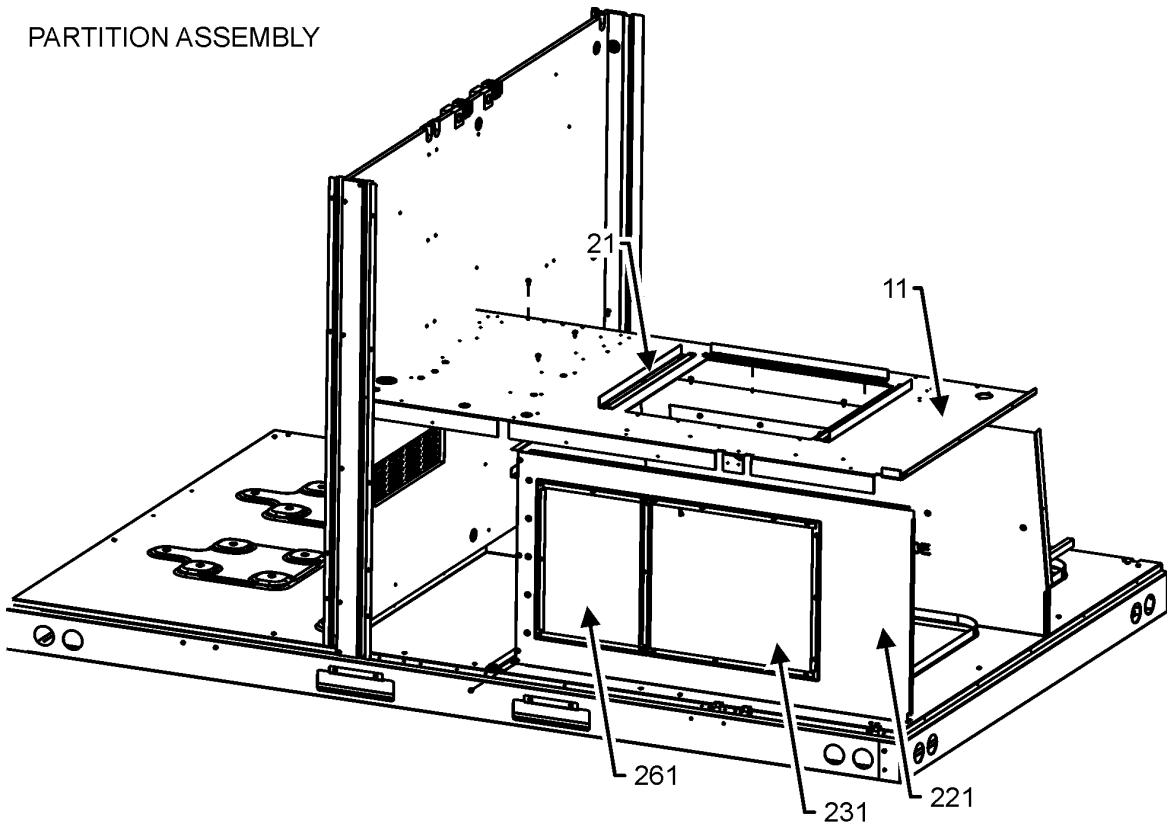
Ref. Part No: No:	Description:	Ref. Part No: No:	Description:
Image 1:			
41	0202L00407		ASSY, EVAP COIL
51	0201L00604		ASSY CONDENSOR COIL (QTY 2)
61	0121L03813SB		PAINTED COND COIL COVER
121	0130M00074		HIGH PRESSURE SWITCH
131	0130M00087		LOW PRESSURE SWITCH
141	20485201		FILTER/DRIER-BI-FLOW (QTY 2)
221	10625733		BLADE-FAN 22" ALUM CCW (QTY 2)
231	0131M00907		MOTOR, HP, 1/3, OD (M2)
231	0131M00908		MOTOR, HP, 1/3, OD, LAK (M3)
231	0131M00906		MOTOR, HP, 1/3, SP, 1, PL, 6 (M1)
241	0152G00000		FAN GRILLE, RAISED (QTY 2)
251	0161R00048		MOLDED RING VENTURI 22 (QTY 2)
261	0163M00004		SCREW #10X3/4 BLK (QTY 16)
271	0163M00006P		NUT, ACORN 5/16 HEX BLACK (QTY 8)
281	0121L03819SB		PAINTED, COIL BLOCKOFF
291	0121L03820SB		PAINTED, COIL BLOCKOFF
301	0161G00016		CONDUIT PVC (QTY 2)
311	0121L03573SB		PAINTED, OUTDOOR TOP PANEL
371	0121L03171		L CHANNEL
511	B1339533		GROMMET, COMPRESSOR (QTY 8)
521	ZP51K5ETFE130		COMP, 5100, 575/60/3 (M3)
521	ZP51K5ETF5130		COMP,51000,208/230/60/3 (M1)
521	ZP51K5ETFD130		COMP,51000,460/60/3 (M2)
531	B1393740		COMP BOLT & SLEEVE (QTY 8)
NS	0160L00136		AIR FILTER (QTY 4)
NS	0159L00066		HARNESS, COMPR SCROLL
NS	0159L00067		HARNESS, COMPR SCROLL
NS	0121L03764SB		PAINTED BLOCKOFF
NS	0121L03763SB		PAINTED, BLOCKOFF
NS	M0272803		WASHER LOCK (QTY 4)
NS	0163M00005P		WASHER, BLACK .50OD.218ID (QTY 8)

Expanded Model Nomenclature

- | |
|------------------------|
| M1 - DBC1203V000001SAA |
| M2 - DBC1204V000001SAA |
| M3 - DBC1207V000001SAA |

PARTITION ASSEMBLY

PARTITION ASSEMBLY



NOTE: PARTITION ASSEMBLY MAY DIFFER FROM WHAT IS SHOWN

PARTITION ASSEMBLY

Ref. Part No:	No:	Description:	Ref. Part No:	No:	Description:
---------------	-----	--------------	---------------	-----	--------------

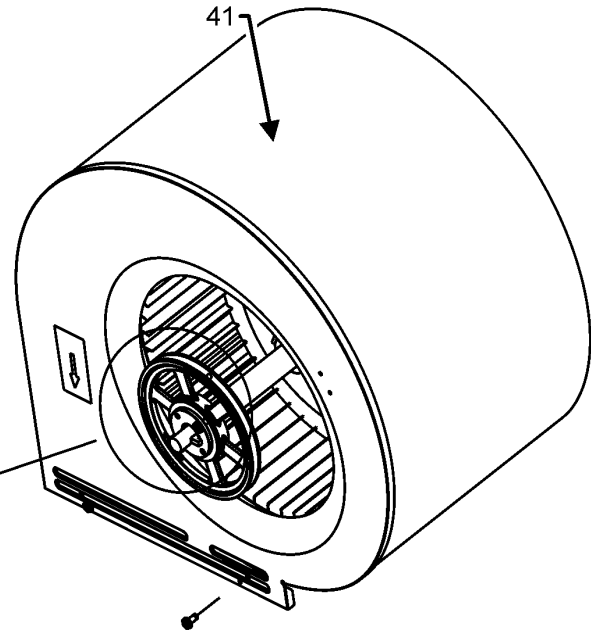
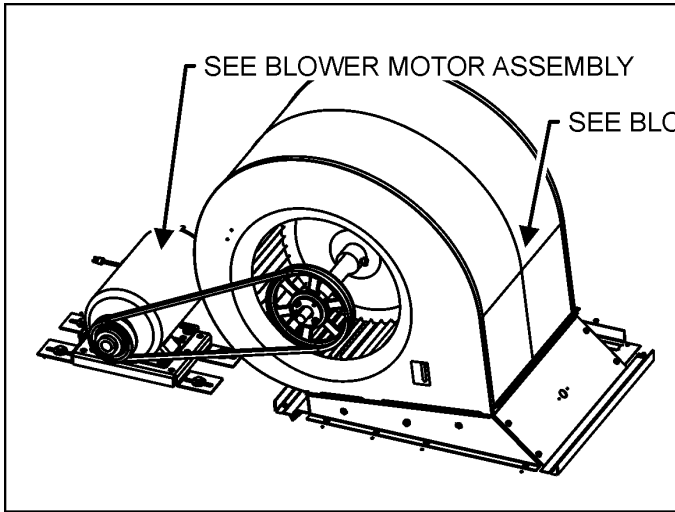
Image 1:

11	0121L03917	BLOWER DECK			
21	0121I03084	BLOWER SLIDE PLATE (QTY 3)			
161	0161L00002	DRAIN PAN EVAP 7TO12			
171	0154L00009	GASKET DRAIN PAN			
221	0121L03465	PANEL FRONT EHK			
231	0121L03965	PNL, COVER EHK			
261	0121L03458	PANEL EHK BLOCK OFF			
491	0121L00321	COVER SMOKE DETECTOR			
NS	0121L03786	PLATE COIL BASE (QTY 2)			
NS	0121L03277	PLATE DRAIN PAN SUPPORT (QTY 2)			
NS	0161L00012	PLUG DRAIN PAN			

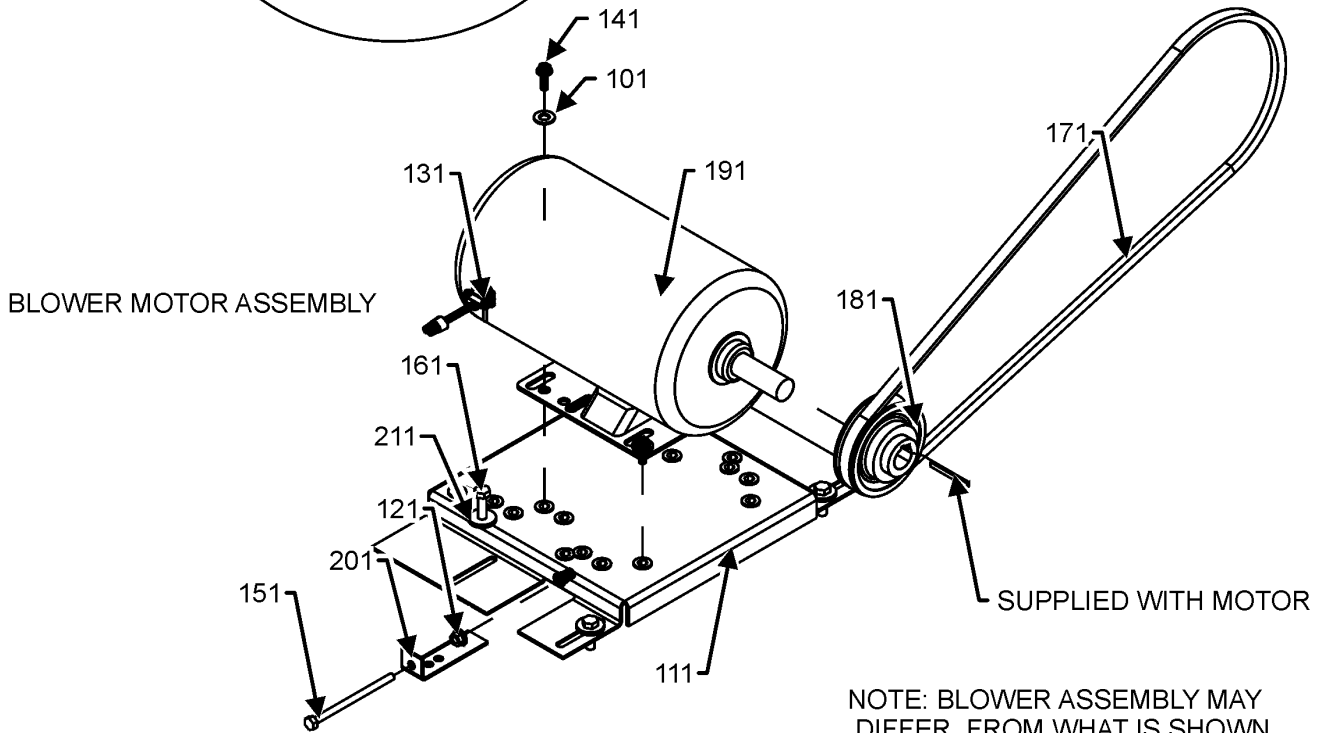
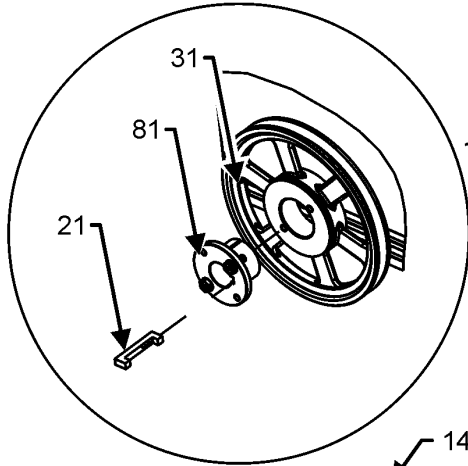
Expanded Model Nomenclature

M1 - DBC1203V000001SAA
M2 - DBC1204V000001SAA
M3 - DBC1207V000001SAA

BLOWER ASSEMBLY



BLOWER HOUSING ASSEMBLY



BLOWER ASSEMBLY

Ref. Part No:	No:	Description:	Ref. Part No:	No:	Description:
---------------	-----	--------------	---------------	-----	--------------

Image 1:

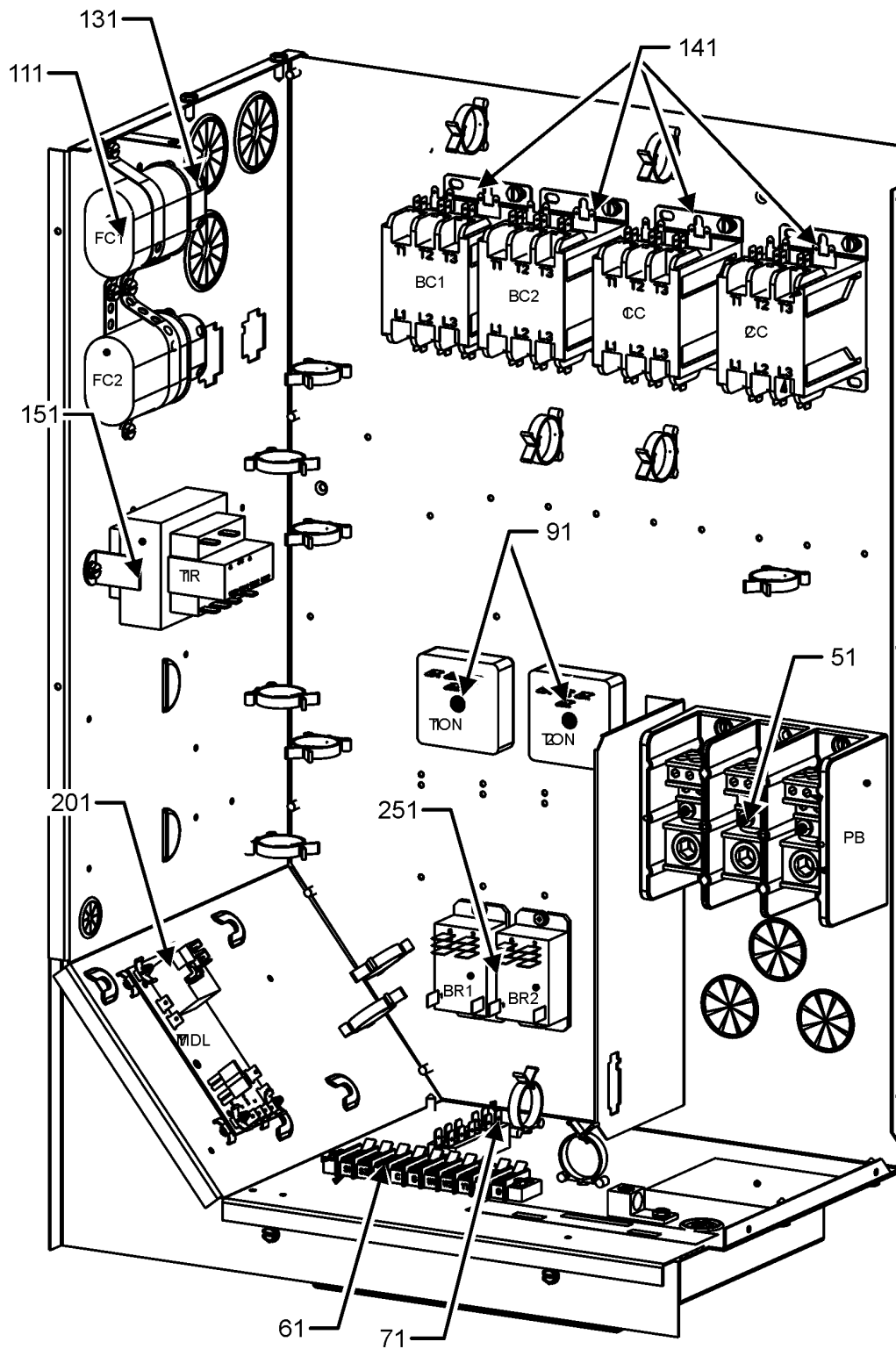
21	0163M00407	MACHINE KEY SPECIAL
31	0163L00134	SHEAVE, FIXED AK74H
41	0271L00007	BLOWER ASSY 15X15
81	0163L00131	BUSHING 1"
101	B1392923	WASHER FLAT (QTY 4)
111	0121L03930	MOTOR BASE
121	B1393023	NUT LOCK .25-20
131	B1393726	ELECT CONNECTING BUSHING
141	B1393738	BOLT 1/4-20X3/4 (QTY 4)
151	0163M00045	BOLT 1/4-20X4
161	B1446707	SCREW 5/16-18X1" (QTY 4)
171	0164L00017	FAN BELT, NOTCHED AX50 (M2, M3)
171	0164L00000	FAN BELT, NOTCHED AX51 (M1)
181	0163L00012	VARIABLE PITCH SHEAVE1VL40X7/8
191	0131L00041	MOTOR 2 HP BELT DRIVE 208-230V (M1)
191	0131L00043	MOTOR 2HP BELT DRIVE 460V (M2)
191	0131L00042	MOTOR 2HP BELT DRIVE 575V (M3)
201	3225000F	ANGLE BELT TIGHTENER
211	B1392918	WASHER FLAT 1/4IDX1OD (QTY 4)

Expanded Model Nomenclature

M1 - DBC1203V000001SAA
M2 - DBC1204V000001SAA
M3 - DBC1207V000001SAA

CONTROL BOX ASSEMBLY

CONTROL BOX ASSEMBLY



NOTE: CONTROL BOX ASSEMBLY MAY DIFFER FROM WHAT IS SHOWN

CONTROL BOX ASSEMBLY

Ref. Part No:	No:	Description:	Ref. Part No:	No:	Description:
---------------	-----	--------------	---------------	-----	--------------

Image 1:

51	0130M00042	BLOCK POWER
61	0130M00240	TERMINAL BOARD
71	802007090	TERM BOARD
91	B1370772	TIME DEALY ICM 180SEC DELA (QTY 2)
111	CAP100000370LA	CAP, 10 MFD/370V/OVAL (M1, M2)
111	CAP050000440LA	CAPACITOR (M3)
131	B821700	BOOT CAPACITOR (QTY 2)
141	CONT3P030024V	CONT, 3 POLE 30 AMP 24VAC (QTY 4)
151	0130M00598	TRANSFMR, 75VA, 575V TO 24V (M3)
151	0130M00594	TRANSFORMER (M1)
151	0130M00595	TRANSFORMER, 75VA, 480V TO 24V (M2)
201	PCBFM103	PCB TIME DELAY EBTDR
251	0130M00178	DPDT RELAY 24 VAC (QTY 2)
NS	20520901	STRAP CAPACITOR (QTY 2)

Expanded Model Nomenclature

M1 - DBC1203V000001SAA
M2 - DBC1204V000001SAA
M3 - DBC1207V000001SAA

ACCESSORY PARTS LIST

NOTE: NOT ALL OPTIONS AVAILABLE FOR ALL PRODUCTS

FOR ACCESSORY PARTS SEE THE FOLLOWING PART MANUAL

RP-FIOPMC

Ref. Part No:	Part No:	Description:	Ref. Part No:	Part No:	Description:
---------------	----------	--------------	---------------	----------	--------------

Image 1:

NS RP-FIOPMC* ACCESSORY RP MANUAL
 NS RP-EHS(D/B)MC* HEATER KIT RP MANUAL
 NS RP-EHX(D/B)MC* HEATER KIT RP MANUAL

Expanded Model Nomenclature

M1 - DBC1203V000001SAA
M2 - DBC1204V000001SAA
M3 - DBC1207V000001SAA