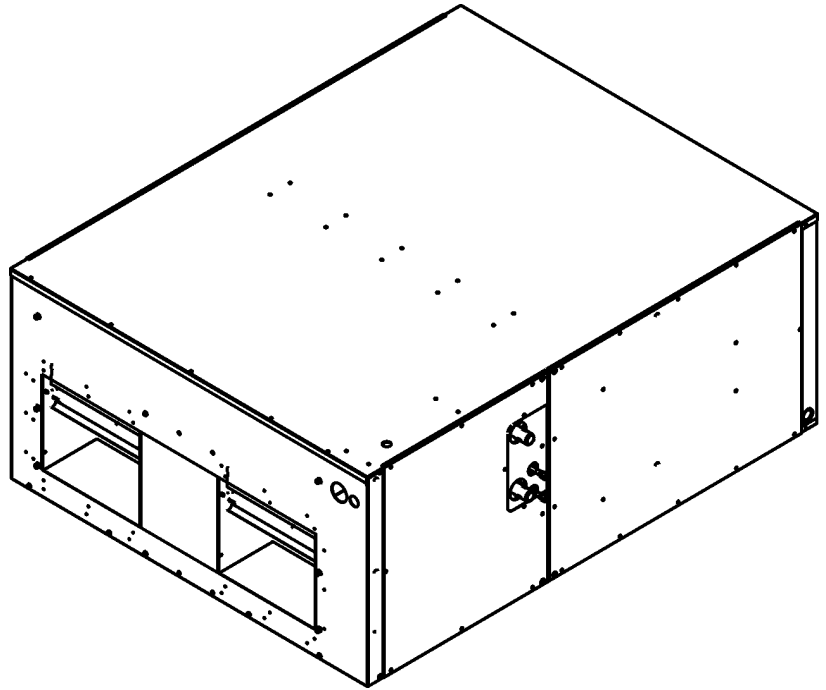


## DAR090/120 Commercial Air Handler

DAR0904AA  
DAR0904AB  
DAR0904AC  
DAR1204AA  
DAR1204AB  
DAR1204AC



This manual is to be used by qualified technicians only.

This manual replaces RP-D4016A.

© 2013 - 2014, 2018 **DAIKIN COMPANY, L.P.** ♦ 5151 San Felipe St., Suite 500 ♦ Houston, TX 77056

# Important Information

---

## Index

|                              |        |
|------------------------------|--------|
| Functional Parts List .....  | 3      |
| Illustration and Parts ..... | 4 - 11 |

*Views shown are for parts illustrations only, not servicing procedures.*

### Text Codes:

AR - As Required

NA - Not Available

NS - Not Shown

00000000 - See Note

QTY - Quantity Example (QTY 3) (If Quantity not shown, Quantity = 1)

M - Model Example (M1) (If M Code not shown, then part is used on all Models)

### Expanded Model Nomenclature:

|              |
|--------------|
| Example      |
| M1 - Model#1 |
| M2 - Model#2 |
| M3 - Model#3 |

Daikin Company, L.P. is not responsible for personal injury or property damage resulting from improper service. Review all service information before beginning repairs.

Warranty service must be performed by an authorized technician, using authorized factory parts. If service is required after the warranty expires, Daikin Company, L.P. also recommends contacting an authorized technician and using authorized factory parts.

Daikin Company, L.P. reserves the right to discontinue, or change at any time, specifications or designs without notice or without incurring obligations.

For assistance within the U.S.A. contact:

Equipment Support  
Daikin North America, LLC  
19001 Kermier Road  
Waller, Texas 77484  
855-770-5678-Telephone  
713-863-2382-Facsimile

For assistance outside the U.S.A. contact:

International Division  
Daikin North America, LLC  
19001 Kermier Road  
Waller, Texas 77484  
713-861-2500-Telephone  
713-863-2382-Facsimile

# Functional Parts

## Part

## No: Description:

---

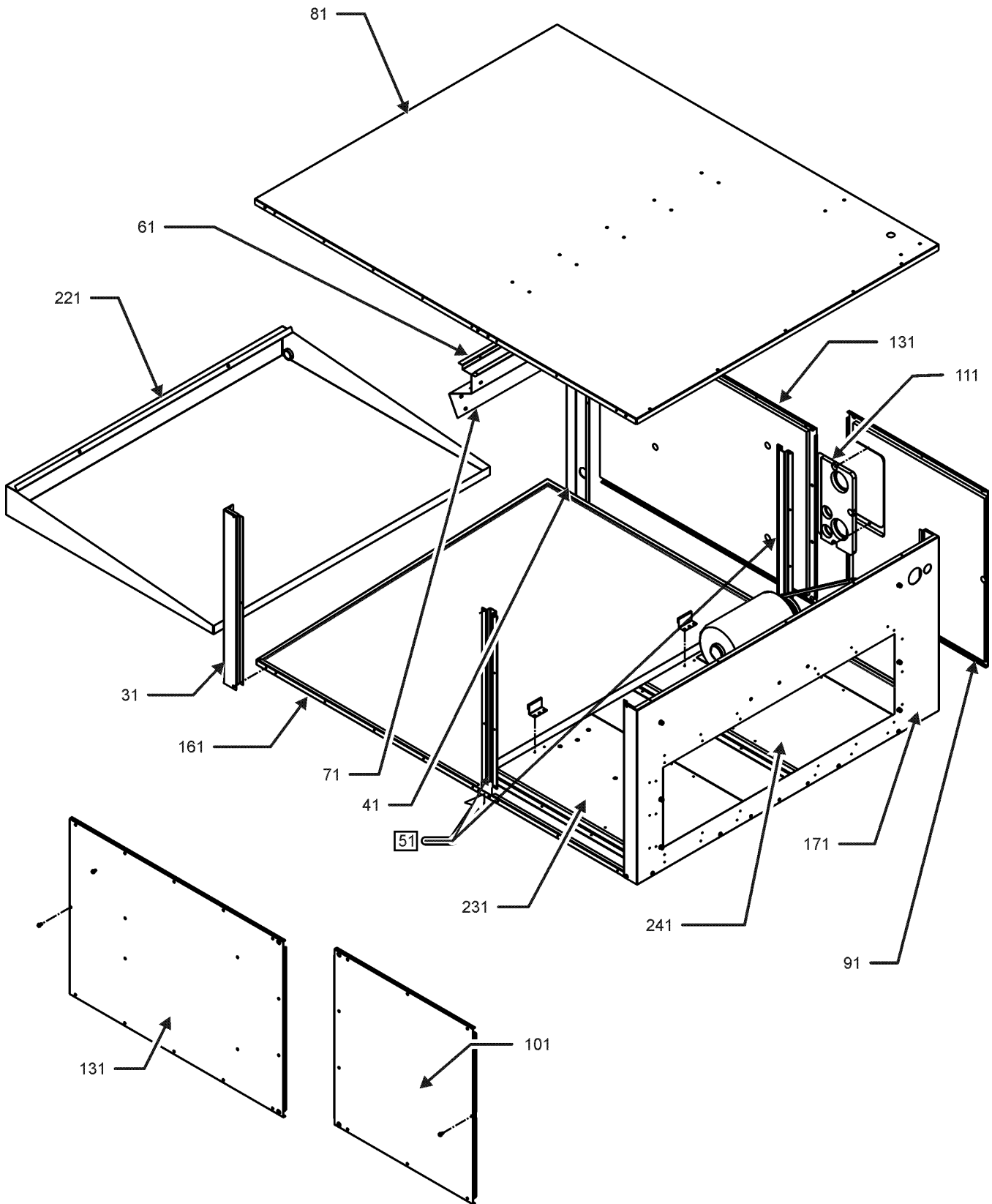
|               |                                      |
|---------------|--------------------------------------|
| B1368056      | BELT DRIVE BLOWER WHEEL (QTY 2)      |
| B3240002      | BELT DRIVE MOTOR 1.5 HP (M1, M2, M3) |
| B3240006      | BELT DRIVE MOTOR 2 HP (M4, M5, M6)   |
| CONT3P025024V | CONTACTOR 25 AMP, 3P, 24V            |
| B2110011      | FAN BELT AX41 (M4, M5, M6)           |
| B2110005      | NOTCHED FAN BELT (M1, M2, M3)        |
| B1256551      | SEQUENCER 5 KW                       |
| 0130M00144    | TRANSFORMER                          |

### Expanded Model Nomenclature

|                |
|----------------|
| M1 - DAR0904AA |
| M2 - DAR0904AB |
| M3 - DAR0904AC |
| M4 - DAR1204AA |
| M5 - DAR1204AB |
| M6 - DAR1204AC |

# Cabinet Assembly

## CABINET ASSEMBLY



# Cabinet Assembly

| <b>Ref. Part<br/>No: No:</b> | <b>Description:</b> | <b>Ref. Part<br/>No: No:</b> | <b>Description:</b> |
|------------------------------|---------------------|------------------------------|---------------------|
|------------------------------|---------------------|------------------------------|---------------------|

---

**Image 1:**

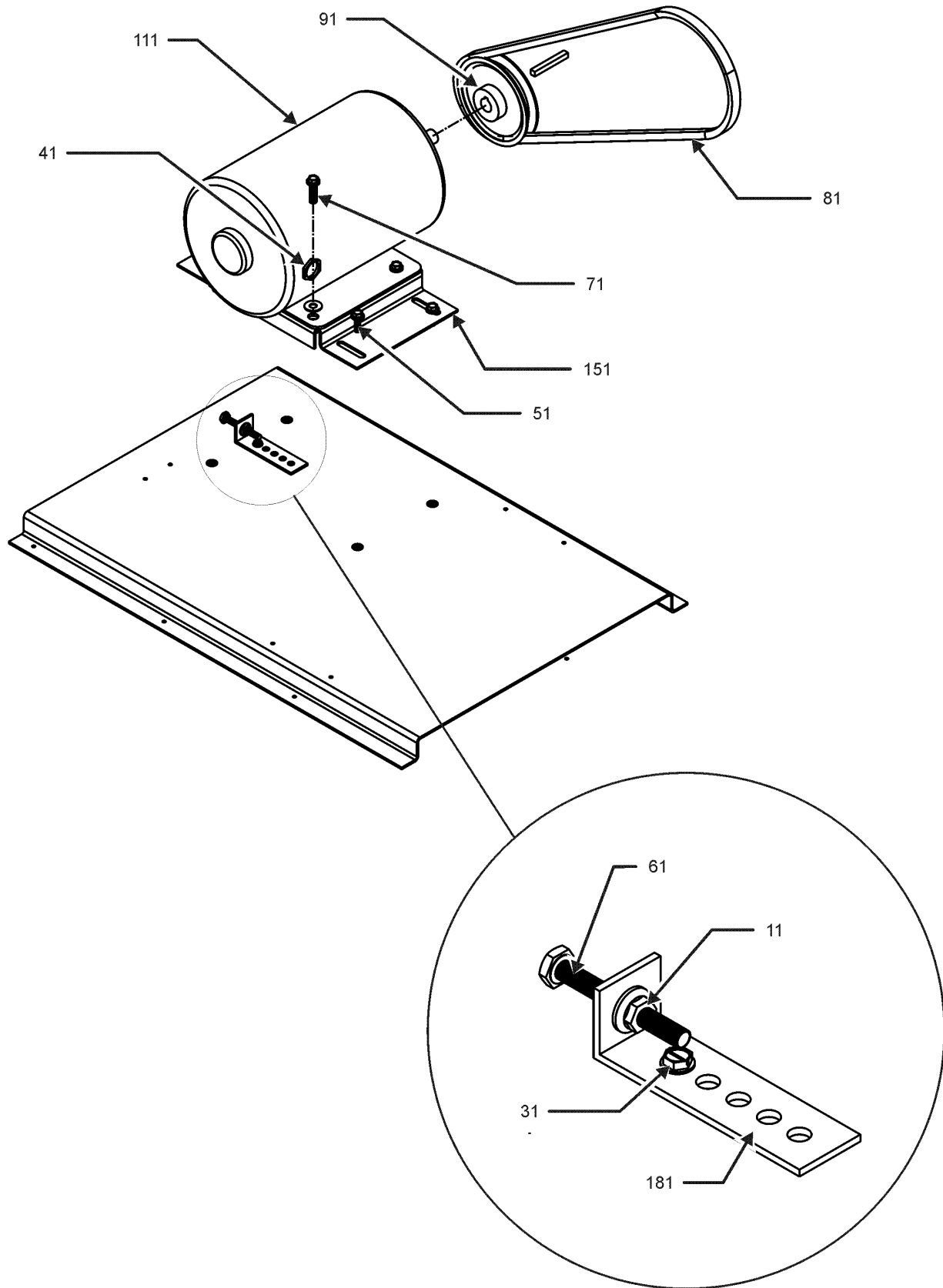
|     |            |                                       |
|-----|------------|---------------------------------------|
| 31  | 2122002F   | REAR CORNER PANEL                     |
| 41  | 2122003F   | FRONT CORNER PANEL                    |
| 51  | 2122011F   | SUPPORT BRACKET (QTY 2)               |
| 61  | 2155716F   | CHANNEL                               |
| 71  | 0121A00503 | COIL BLOCK-OFF TOP (10 TON) (M5, M6)  |
| 71  | 2179523F   | COIL BLOCK-OFF TOP (10 TON) (M4)      |
| 71  | 0121A00502 | COIL BLOCK-OFF TOP (7.5 TON) (M2, M3) |
| 71  | 2179526F   | COIL BLOCK-OFF TOP (7.5 TON) (M1)     |
| 81  | 2190001F   | RIGHT SIDE PANEL INSUL. ASM.          |
| 91  | 2190004F   | UPPER ACCESS PANEL INSUL. ASM.        |
| 101 | 2190005F   | REAR PANEL INSUL. ASM.                |
| 111 | 2190006F   | BLOCK-OFF PANEL INSUL. ASM.           |
| 131 | 2190003F   | LOWER ACCESS PANEL (QTY 2)            |
| 161 | 2190000F   | LEFT SIDE PANEL INSUL. ASM            |
| 171 | 2190002F   | TOP PANEL INSUL. ASM                  |
| 221 | 2102000Fs  | DRAIN PAN ASSEMBLY                    |
| 231 | 2124001F   | SUPPORT PLATE                         |
| 241 | 2162504F   | SUPPORT PLATE ASM.                    |

**Expanded Model Nomenclature**

|                |
|----------------|
| M1 - DAR0904AA |
| M2 - DAR0904AB |
| M3 - DAR0904AC |
| M4 - DAR1204AA |
| M5 - DAR1204AB |
| M6 - DAR1204AC |

# Belt Drive Assembly

## BELT DRIVE MOTOR



# Belt Drive Assembly

| Ref. Part No: | No: | Description: | Ref. Part No: | No: | Description: |
|---------------|-----|--------------|---------------|-----|--------------|
|---------------|-----|--------------|---------------|-----|--------------|

---

**Image 1:**

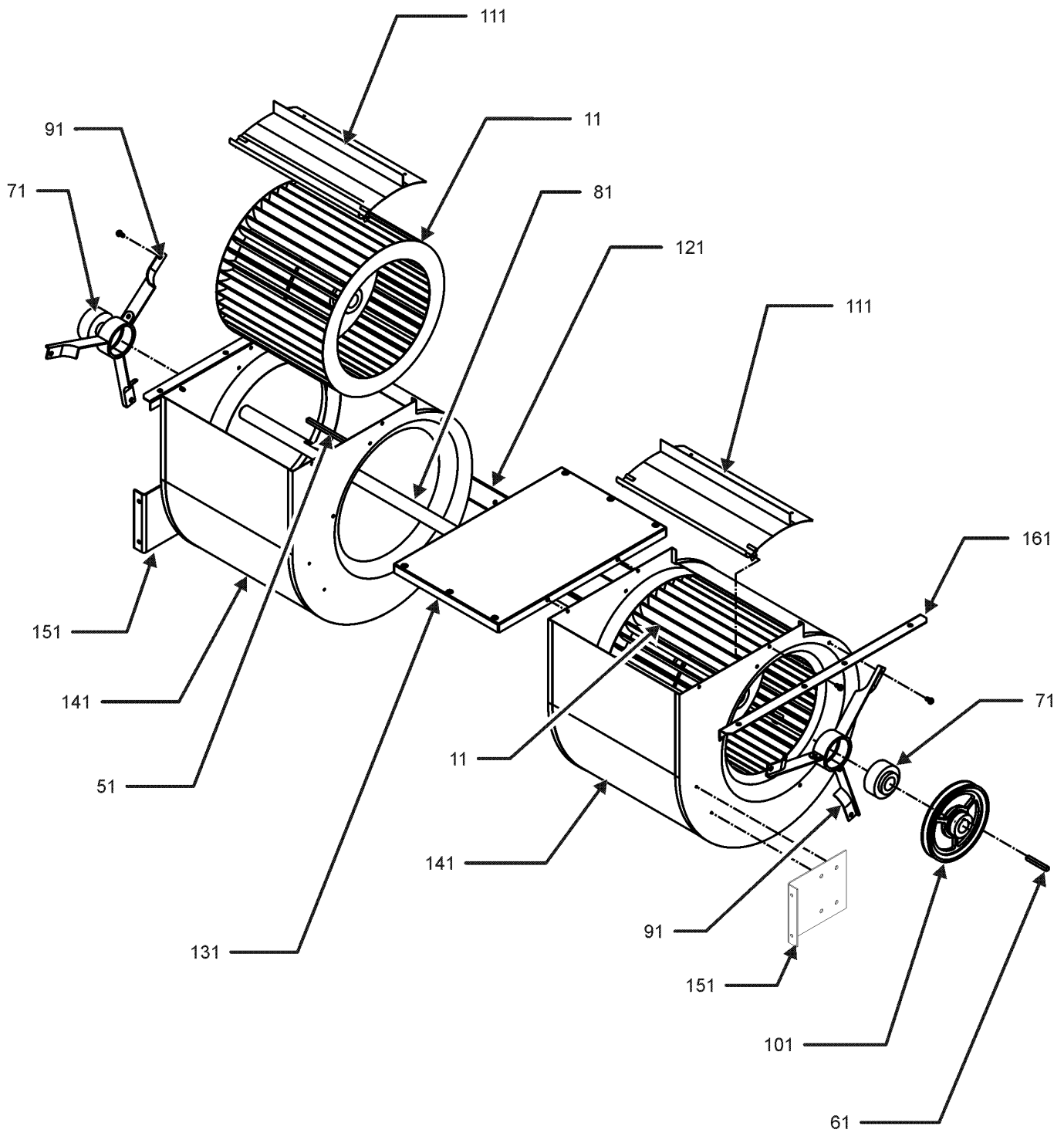
|     |          |   |
|-----|----------|---|
| 11  | B1393023 | NUT / LOCK .25-20                               |
| 31  | B1393576 | SCREW / TTH .25 X 0.5 (QTY 13)                  |
| 41  | B1393726 | ELECT. CONNECTING BUSHING                       |
| 51  | B1393738 | BOLT 1/4-20 X 3/4" (QTY 4)                      |
| 61  | B1393739 | BOLT, 1/4-20 X 2                                |
| 71  | B1446707 | SCREW 5/16-18 X 1" (QTY 4)                      |
| 81  | B2110011 | FAN BELT AX41 (M4, M5, M6)                      |
| 81  | B2110005 | NOTCHED FAN BELT (M1, M2, M3)                   |
| 91  | B2120014 | VARIABLE PITCH SHEAVE 1VL44 X 7/8" (M4, M5, M6) |
| 91  | B2120000 | VARIABLE PITCH SHEAVE 3.15" (M1, M2, M3)        |
| 111 | B3240002 | BELT DRIVE MOTOR 1.5 HP (M1, M2, M3)            |
| 111 | B3240006 | BELT DRIVE MOTOR 2 HP (M4, M5, M6)              |
| 151 | 2162505F | MOTOR BASE                                      |
| 181 | 3225000F | BELT TIGHTENER ANGLE                            |

**Expanded Model Nomenclature**

|                |
|----------------|
| M1 - DAR0904AA |
| M2 - DAR0904AB |
| M3 - DAR0904AC |
| M4 - DAR1204AA |
| M5 - DAR1204AB |
| M6 - DAR1204AC |

# Blower Assembly

## BLOWER ASSEMBLY



# Blower Assembly

| <b>Ref. Part<br/>No: No:</b> | <b>Description:</b> | <b>Ref. Part<br/>No: No:</b> | <b>Description:</b>                 |
|------------------------------|---------------------|------------------------------|-------------------------------------|
| <i>Image 1:</i>              |                     |                              |                                     |
| 11                           | B1368056            |                              | BELT DRIVE BLOWER WHEEL (QTY 2)     |
| 51                           | B1398603            |                              | STEEL KEY (000158812) 4.5" (QTY 2)  |
| 61                           | B1398604            |                              | STEEL KEY (000158812) 2.0"          |
| 71                           | B1399500            |                              | BALL BEARING 1.00" (QTY 2)          |
| 81                           | B3200202            |                              | BLOWER SHAFT, 1"                    |
| 91                           | B3201300            |                              | MOUNTING BRACKET BEARING (QTY 2)    |
| 101                          | 0163L00138          |                              | SHEAVE, FIXED AK61H (M1, M2, M3)    |
| 101                          | 0163L00135          |                              | SHEAVE, FIXED AK66H (M4, M5, M6)    |
| 111                          | 1864703F            |                              | BLOWER CUT-OFF (QTY 2)              |
| 121                          | 2122012F            |                              | BLOWER SUPPORT ANGLE                |
| 131                          | 2190007F            |                              | BLOWER PLATE / INSULATION ASSEMBLY  |
| 141                          | 2539302F            |                              | BLOWER HOUSING 11 X 10 (QTY 2)      |
| 151                          | 2124004F            |                              | BLOWER SUPPORT (QTY 2)              |
| 161                          | 2155715F            |                              | SCROLL ANGLE (QTY 2)                |
| NS                           | B1392021            |                              | PLASTIC PLUG, 1" (2713-BLK) (QTY 4) |

## Expanded Model Nomenclature

|                |
|----------------|
| M1 - DAR0904AA |
| M2 - DAR0904AB |
| M3 - DAR0904AC |
| M4 - DAR1204AA |
| M5 - DAR1204AB |
| M6 - DAR1204AC |



# Coil Assembly and Control Box Assembly

| Ref. Part No: No: | Description: | Ref. Part No: No: | Description: |
|-------------------|--------------|-------------------|--------------|
|-------------------|--------------|-------------------|--------------|

**Image 1:**

|     |            |   |
|-----|------------|---|
| 31  | 2145000F   | FILTER SUPPORT TOP & BOTTOM (QTY 2)         |
| 41  | 2145001F   | FILTER SUPPORT                              |
| 51  | 0121A00499 | COIL BLOCK-OFF RETURN SIDE (M2, M3, M5, M6) |
| 51  | 2179524F   | COIL BLOCK-OFF RETURN SIDE (M1, M4)         |
| 61  | 2179525F   | COIL BLOCK-OFF HAIRPIN SIDE                 |
| 71  | 0121A00500 | COIL BRACE (M2, M3, M5, M6)                 |
| 71  | 2179522F   | COIL BRACE (M1, M4)                         |
| 81  | 0202A00215 | COIL / MANIFOLD ASSY (M2, M3)               |
| 81  | 0202A00168 | COIL/MANIFOLD ASSY (M1)                     |
| 81  | 0202A00171 | COIL/MANIFOLD ASSY (M4)                     |
| 81  | 0202A00229 | COIL/MANIFOLD ASSY (M5, M6)                 |
| 91  | 0151R00107 | EXPANSION VALVE, NXT (M4, M5, M6)           |
| 91  | 0151R00105 | VALVE, NXT R-410A (M1, M2, M3)              |
| 101 | B3232207   | DISTRIBUTOR (M4, M5, M6)                    |
| 101 | B3232208   | DISTRIBUTOR (M1, M2, M3)                    |
| NS  | 0160L00174 | AIR FILTER 16 X 20 X 2 (QTY 4)              |
| NS  | 0160L00136 | Air Filter 20x20x2 (M4, M5, M6)             |
| NS  | 0163M00175 | CAP W/O-RING                                |

**Image 2:**

|    |               |                                  |
|----|---------------|----------------------------------|
| 22 | 0130M00144    | TRANSFORMER                      |
| 32 | B1256551      | SEQUENCER 5 KW                   |
| 72 | CONT3P025024V | CONTACTOR 25 AMP, 3P, 24V        |
| NS | 2168400F      | FEMALE PLUG ASM, AR              |
| NS | B1392104      | UNIVERSAL BUSHING UB 875 (QTY 2) |

**Expanded Model Nomenclature**

|                |
|----------------|
| M1 - DAR0904AA |
| M2 - DAR0904AB |
| M3 - DAR0904AC |
| M4 - DAR1204AA |
| M5 - DAR1204AB |
| M6 - DAR1204AC |