

***MXS**NMVJU Outdoor Heat Pump Units**

2MXS18NMVJU

3MXS24NMVJU

4MXS36NMVJU



This manual is to be used by qualified technicians only.

© 2015 **DAIKIN MANUFACTURING COMPANY, L.P.** ◇ 5151 San Felipe St., Suite 500 ◇ Houston, TX 77056

Important Information

Index

Functional Parts List	3
Illustration and Parts	4 - 9

Views shown are for parts illustrations only, not servicing procedures

Text Codes:

AR - As Required

NA - Not Available

NS - Not Shown

00000000 - See Note

QTY - Quantity Example (QTY 3) (If Quantity not shown, Quantity = 1)

M - Model Example (M1) (If M Code not shown, then part is used on all Models)

Expanded Model Nomenclature:

Example M1 - Model#1 M2 - Model#2 M3 - Model#3

Daikin Company, L.P. is not responsible for personal injury or property damage resulting from improper service. Review all service information before beginning repairs.

Warranty service must be performed by an authorized technician, using authorized factory parts. If service is required after the warranty expires, Daikin Company, L.P. also recommends contacting an authorized technician and using authorized factory parts.

Daikin Company, L.P. reserves the right to discontinue, or change at any time, specifications or designs without notice or without incurring obligations.

For assistance within the U.S.A. contact:

Consumer Affairs Department

Daikin North America, LLC

7401 Security Way

Houston, Texas 77040

855-770-5678-Telephone

713-863-2382-Facsimile

For assistance outside the U.S.A. contact:

International Division

Daikin North America, LLC

7401 Security Way

Houston, Texas 77040

713-861-2500-Telephone

713-863-2382-Facsimile

Functional Parts

Part

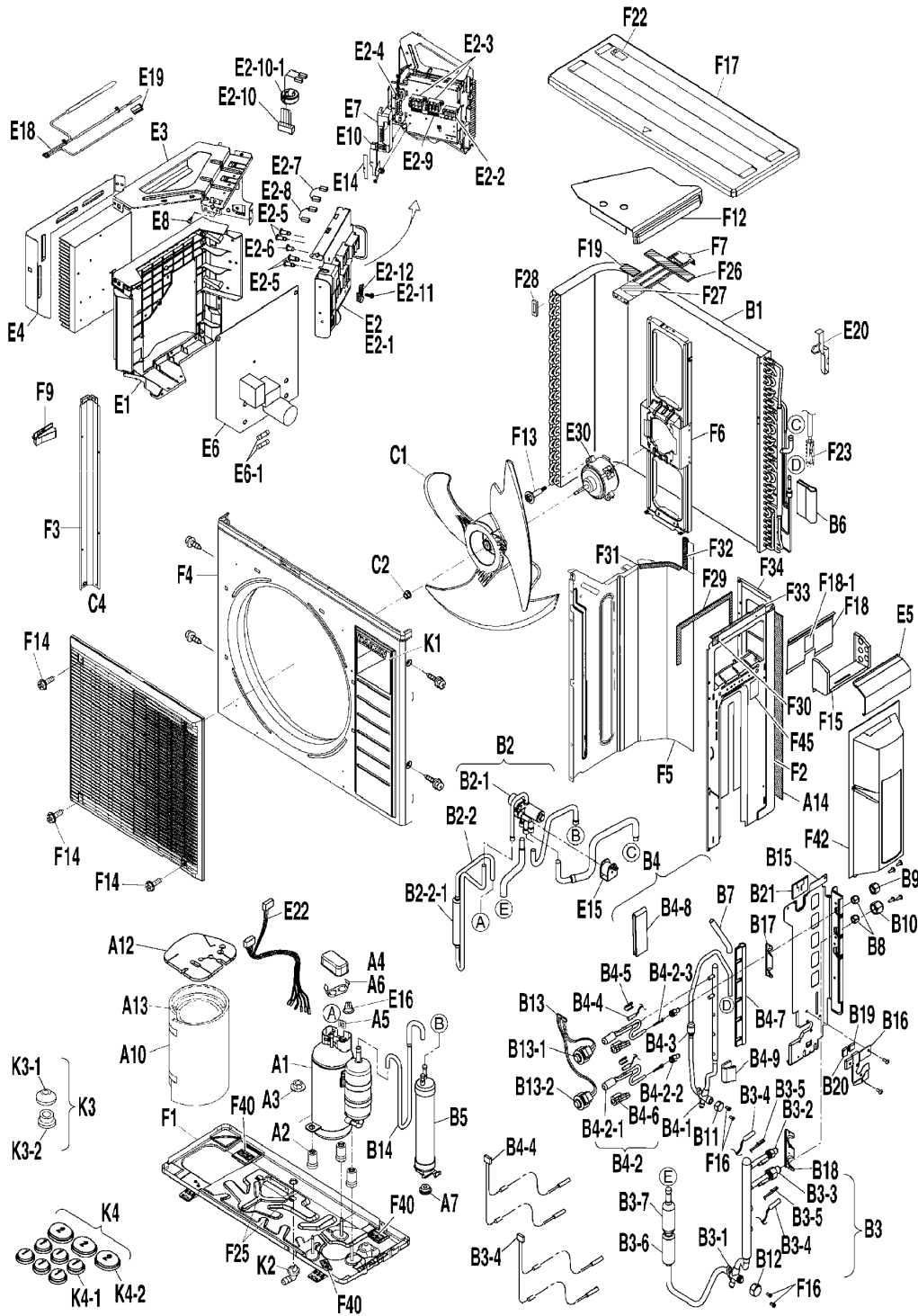
No: Description:

6024942	DC FAN MOTOR (M3)
6022761	FAN BLADE
6024031	FAN MOTOR (M1, M2)
153875J	FUSE (QTY 2)
622418J	OVERLOAD PROTECTOR
6025165	PRINTED CIRCUIT ASSY.
6025209	PRINTED CIRCUIT ASSY. (MAIN) (M3)
6025198	PRINTED CIRCUIT ASSY. (MAIN) (M2)
6025170	PRINTED CIRCUIT ASSY. (MAIN) (M1)
6024032	STOP VALVE (M1, M2)
1684920	TERMINAL BLOCK (QTY 2)
1684913	TERMINAL BLOCK

Expanded Model Nomenclature

M1 - 2MXS18NMVJU
M2 - 3MXS24NMVJU
M3 - 4MXS36NMVJU

2MXS18NMVJU



Picture Key	
Ref #	Picture #
1	A1
2	A2
3	A3
4	A4
5	A5
6	A6
7	A7
8	A10
9	A12
10	A13
11	A14
12	B1
13	B2
14	B2-1
15	B2-2
16	B2-2-1
17	B3
18	B3-1
19	B3-2
20	B3-3
21	B3-4
22	B3-5
23	B3-6
24	B3-7
25	B4
26	B4-1
27	B4-2
28	B4-2-1
29	B4-2-2
30	B4-2-3
31	B4-3
32	B4-4
33	B4-5
34	B4-6
35	B4-7
36	B4-8
37	B4-9
38	B5
39	B6
40	B7
41	B8
42	B9
43	B10
44	B11
45	B12
46	B13
47	B13-1
48	B13-2
49	B14
50	B15
51	B16
52	B17
53	B18
54	B19
55	B20
56	B21
57	C1
58	C2
59	C4
60	E1
61	E2
62	E2-1
63	E2-2
64	E2-3
65	E2-4
66	E2-5
67	E2-6
68	E2-7
69	E2-8
70	E2-9
71	E2-10
72	E2-10-1
73	E2-11
74	E2-12
75	E3
76	E4
77	E5
78	E6
79	E6-1
80	E7
81	E8
82	E10
83	E14
84	E15
85	E16
86	E18
87	E19
88	E20
89	E22
90	E30
91	F1
92	F2
93	F3
94	F4
95	F5
96	F6
97	F7
98	F9
99	F12
100	F13
101	F14
102	F15
103	F16
104	F17
105	F18
106	F18-1
107	F19
108	F22
109	F23
110	F25
111	F26
112	F27
113	F28
114	F29
115	F30
116	F31
117	F32
118	F33
119	F34
120	F35
121	F42
122	F45
123	K1
124	K2
125	K3
126	K3-1
127	K3-2
128	K4
129	K4-1
130	K4-2

Picture Key	
Ref #	Picture #
66	E2-5
67	E2-6
68	E2-7
69	E2-8
70	E2-9
71	E2-10
72	E2-10-1
73	E2-11
74	E2-12
75	E3
76	E4
77	E5
78	E6
79	E6-1
80	E7
81	E8
82	E10
83	E14
84	E15
85	E16
86	E18
87	E19
88	E20
89	E22
90	E30
91	F1
92	F2
93	F3
94	F4
95	F5
96	F6
97	F7
98	F9
99	F12
100	F13
101	F14
102	F15
103	F16
104	F17
105	F18
106	F18-1
107	F19
108	F22
109	F23
110	F25
111	F26
112	F27
113	F28
114	F29
115	F30
116	F31
117	F32
118	F33
119	F34
120	F35
121	F42
122	F45
123	K1
124	K2
125	K3
126	K3-1
127	K3-2
128	K4
129	K4-1
130	K4-2

Ref. Part No: No:	Description:	Ref. Part No: No:	Description:
Image 1:		Image 1:	
1	6024936 COMPRESSOR ASSY. (M1)	60	2255767 EL. COMPO. MOUNTING PLATE (M1)
2	128989J RUBBER GROMMET (M1)	61	6025163 MOUNTING PLATE (TERMINAL BLOCK) (M1)
3	135859J FLANGE NUT (M1)	62	6025164 MOUNTING PLATE (TERMINAL STRIP 1) (M1)
4	1727788 TERMINAL COVER (M1)	63	1684913 TERMINAL BLOCK (M1)
5	040139J RUBBER BUSH/ LEAD WIRE (M1)	64	1684920 TERMINAL BLOCK (M1)
6	380620J RETAINER/ OVERLOAD PROTECTOR (M1)	65	6025165 PRINTED CIRCUIT ASSY. (M1)
7	390215J SPRING HOLDER (2) (M1)	66	2255806 SPACER (PCB) (M1)
8	6025146 SOUND INSULATION (OUTER BODY) (M1)	67	2255813 SPACER (PCB) (M1)
9	6025147 SOUND INSULATION (TOP) ASSY. (M1)	68	1708523 WIRE HARNESS (TERMINAL BLOCK) (M1)
10	2255433 SOUND INSULATION (M1)	69	1708530 WIRE HARNESS (TERMINAL BLOCK) (M1)
11	6025148 SOUND INSULATION (RIGHT SIDE) (M1)	70	6025166 INDICATION LABEL (TERMINAL) (M1)
12	6025149 EVAPORATOR ASSY. (M1)	71	6025167 WIRE HARNESS ASSY. (M1)
13	6025150 FOUR WAY VALVE ASSY. (M1)	72	6025168 FERRITE CORE (M1)
14	4009504 BODY/ FOUR WAY VALVE (M1)	73	113783J TAPPING SCREW (M1)
15	6025151 DISCHARGE PIPE ASSY. (M1)	74	1786749 WASHER (FOR EARTH) (M1)
16	1618396 MUFFLER (M1)	75	2255820 MOUNTING PLATE (TERMINAL STRIP 2) (M1)
17	6025152 HEADER ASSY. (GAS) (M1)	76	2255844 RADIATION SHIELD PLATE (M1)
18	6025153 GAS STOP VALVE ASSY. (M1)	77	6025169 TERMINAL BLOCK COVER ASSY. (M1)
19	257587J UNION JOINT (M1)	78	6025170 PRINTED CIRCUIT ASSY. (MAIN) (M1)
20	252012J UNION JOINT (M1)	79	153875J FUSE (M1)
21	6024014 THERMISTOR ASSY. (GAS) (M1)	80	6025171 COVER ASSY. (SERVICE PCB) (M1)
22	380120J FITTING SPRING/ THERMISTOR (M1)	81	136116J DOUBLE WASHER MACHINE SCREW (M1)
23	4006136 MUFFLER (M1)	82	6025172 SWITCH COVER ASSY. (M1)
24	6025154 MUFFLER (M1)	83	6025173 INDICATION LABEL (SERVICE PCB) (M1)
25	6025155 HEADER ASSY. (LIQUID) (M1)	84	6025174 FOUR WAY VALVE COIL ASSY. (M1)
26	6024032 STOP VALVE (M1)	85	622418J OVERLOAD PROTECTOR (M1)
27	6025156 BODY/ ELECTRONIC EXP. VALVE ASSY. (M1)	86	6024012 THERMISTOR ASSY. (M1)
28	1749168 BODY/ ELECTRONIC EXP. VALVE (M1)	87	1728781 FIXTURE/ THERMISTOR (M1)
29	060321J UNION JOINT (M1)	88	128511J FIXTURE/ THERMISTOR (M1)
30	131823J STRAINER (FOR REF.) (M1)	89	6025175 WIRE HARNESS (COMP.) (M1)
31	4014271 MUFFLER (M1)	90	6024031 FAN MOTOR (M1)
32	6024017 THERMISTOR ASSY. (M1)	91	6025176 BOTTOM FRAME ASSY. (M1)
33	130389J FIXTURE/ THERMISTOR (M1)	92	6025177 SIDE PLATE (RIGHT) (M1)
34	6025157 PUTTY (M1)	93	6022758 SIDE PLATE (LEFT) (M1)
35	6025158 PUTTY (M1)	94	6022706 FRONT PLATE (M1)
36	6025159 PUTTY (LIQUID HEADER) (M1)	95	6024003 DISTANCE PLATE (M1)
37	6025160 PUTTY (M1)	96	6022871 MOTOR BASE (M1)
38	6024022 GAS LIQUID SEPARATOR ASSY. (M1)	97	6022759 MOTOR BASE (M1)
39	2255729 PUTTY (PLATE FINNED COIL OUTLET) (M1)	98	6022835 HANDLE (M1)
40	2255736 THERMAL INSULATION TUBE (M1)	99	6025178 DRIP PROOF COVER ASSY. (M1)
41	1723546 FLARE NUT (M1)	100	121650J TRUSS HEAD TAPPING SCREW (M1)
42	119848J FLARE NUT (M1)	101	109224J HEX. HEAD TAPPING SCREW (M1)
43	119849J FLARE NUT (M1)	102	6025179 CONDUIT MOUNTING PLATE ASSY. (M1)
44	2158703 CAP/ STOP VALVE (M1)	103	048017J PAN HEAD TAPPING SCREW (M1)
45	2159232 CAP/ STOP VALVE (M1)	104	6022834 TOP PLATE (M1)
46	6024025 COIL/ ELECTRONIC EXP. VALVE ASSY. (M1)	105	6025180 DRIP PROOF PLATE (TERMINAL BLOCK) (M1)
47	2254043 COIL/ ELECTRONIC EXP. VALVE (M1)	106	NA CAUTION LABEL (ELECTRIC SHOCK) (M1)
48	2254050 COIL/ ELECTRONIC EXP. VALVE (M1)	107	6002549 SEALING MATERIAL (M1)
49	6025161 SUCTION PIPE ASSY. (M1)	108	4011522 LABEL (M1)
50	6025162 STOP VALVE MOUNTING PLATE (1) (M1)	109	380120J FITTING SPRING/ THERMISTOR (M1)
51	2255527 STOP VALVE MOUNTING PLATE (2) (M1)	110	7900085 CUSHION RUBBER (BOTTOM FRAME) (M1)
52	2255541 SINGLE UNION FIXTURE (LIQUID) (M1)	111	7900084 CUSHION MATERIAL (FAN MOTOR STAND) (M1)
53	2255589 SINGLE UNION FIXTURE (GAS) (M1)	112	2256032 CUSHION MATERIAL (CR FORM RUBBER) (M1)
54	2255642 SEALING MATERIAL (M1)	113	7900083 SEALING MATERIAL (M1)
55	2255628 SEALING MATERIAL (M1)	114	6025181 SEALING MATERIAL (M1)
56	2255635 CUSHION RUBBER (M1)	115	2256056 SEALING MATERIAL (M1)
57	6022761 FAN BLADE (M1)	116	2256063 SEALING MATERIAL (M1)
58	847003J LOCK NUT/ FAN (M1)	117	2256070 SEALING MATERIAL (M1)
59	6024941 DISCHARGE GRILLE ASSY. (M1)	118	2256087 SEALING MATERIAL (M1)

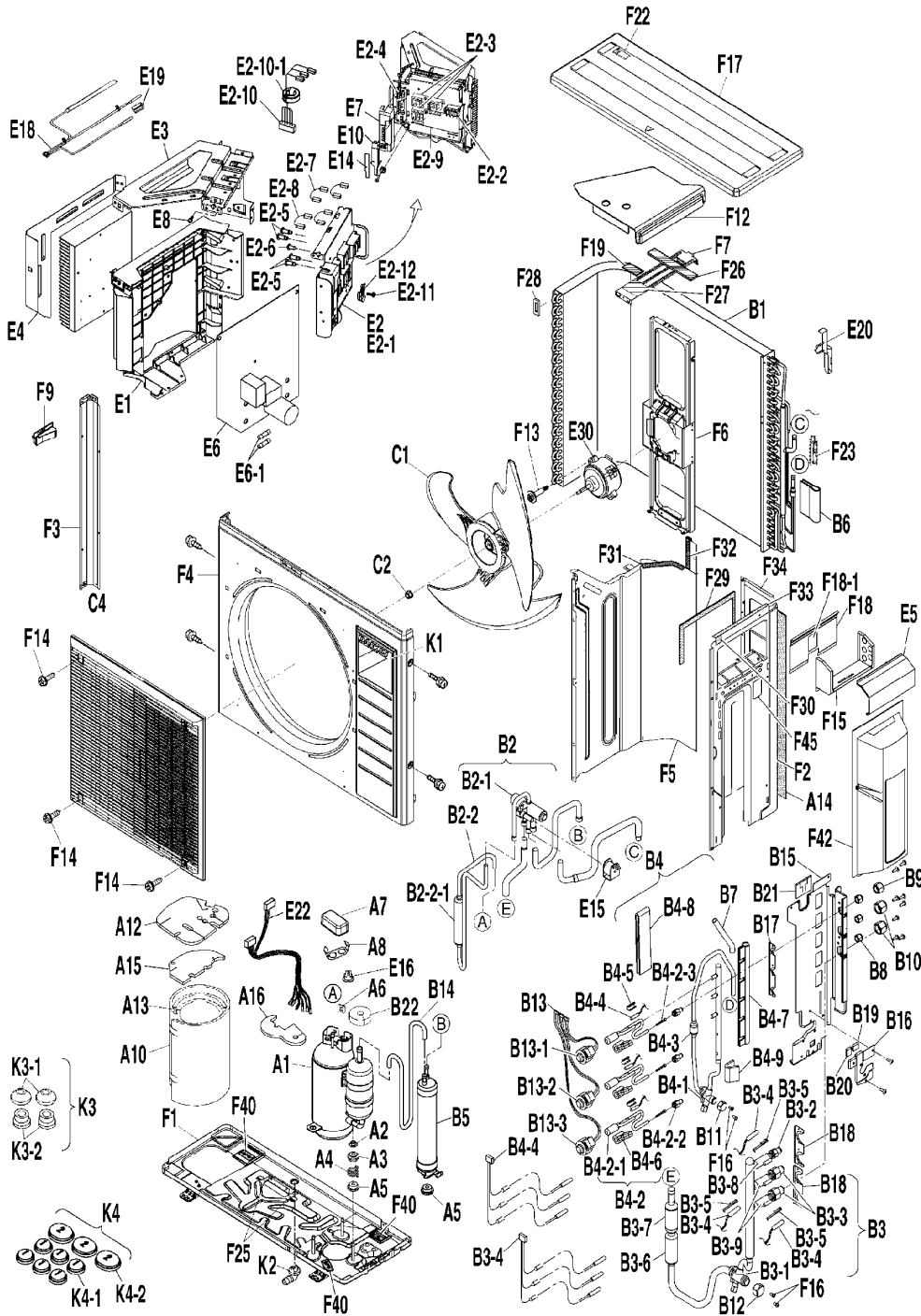
Ref. Part No:	Part No:	Description:	Ref. Part No:	Part No:	Description:
---------------	----------	--------------	---------------	----------	--------------

Image 1:

119	2256094	SEALING MATERIAL (M1)
120	2256102	PUTTY (BOTTOM FRAME) (M1)
121	6024004	COVER/ STOP VALVE (M1)
122	NA	CAUTION LABEL (BURN) (M1)
123	NA	BRAND NAME LABEL (M1)
124	135886J	DRAIN JOINT (M1)
125	1885716	REDUCER ASSY. (M1)
126	257712J	GASKET/ REDUCING JOINT (M1)
127	257709J	GASKET/ REDUCING JOINT (M1)
128	NA	ACCESSORY SET (M1)
129	NA	CAP 1 (DRAIN) (M1)
130	NA	CAP 2 (DRAIN) (M1)

Expanded Model Nomenclature

M1 - 2MXS18NMVJU
M2 - 3MXS24NMVJU
M3 - 4MXS36NMVJU



Picture Key		Picture Key	
Ref #	Picture #	Ref #	Picture #
1	A1	70	E2-2
2	A2	71	E2-3
3	A3	72	E2-4
4	A4	73	E2-5
5	A5	74	E2-6
6	A6	75	E2-7
7	A7	76	E2-8
8	A8	77	E2-9
9	A10	78	E2-10
10	A12	79	E2-10-1
11	A13	80	E2-11
12	A14	81	E2-12
13	A15	82	E3
14	A16	83	E4
15	B1	84	E5
16	B2	85	E6
17	B2-1	86	E6-1
18	B2-2	87	E7
19	B2-2-1	88	E8
20	B3	89	E10
21	B3-1	90	E14
22	B3-2	91	E15
23	B3-3	92	E16
24	B3-4	93	E18
25	B3-5	94	E19
26	B3-6	95	E20
27	B3-7	96	E22
28	B3-8	97	E30
29	B3-9	98	F1
30	B4	99	F2
31	B4-1	100	F3
32	B4-2	101	F4
33	B4-2-1	102	F5
34	B4-2-2	103	F6
35	B4-2-3	104	F7
36	B4-3	105	F9
37	B4-4	106	F12
38	B4-5	107	F13
39	B4-6	108	F14
40	B4-7	109	F15
41	B4-8	110	F18
42	B4-9	111	F18-1
43	B5	112	F19
44	B6	113	F22
45	B7	114	F23
46	B8	115	F25
47	B9	116	F26
48	B10	117	F27
49	B11	118	F28
50	B12	119	F29
51	B13	120	F30
52	B13-1	121	F31
53	B13-2	122	F32
54	B13-3	123	F33
55	B14	124	F34
56	B15	125	F40
57	B16	126	F42
58	B17	127	F45
59	B18	128	F46
60	B19	129	F47
61	B20	130	K1
62	B21	131	K2
63	B22	132	K3
64	C1	133	K3-1
65	C2	134	K3-2
66	C4	135	K4
67	E1	136	K4-1
68	E2	137	K4-2
69	E2-1		

Ref. Part No: No:	Description:	Ref. Part No: No:	Description:
<i>Image 1:</i>		<i>Image 1:</i>	
1	6025182 COMPRESSOR ASSY. (M2)	60	2255642 SEALING MATERIAL (M2)
2	135859J FLANGE NUT (M2)	61	2255628 SEALING MATERIAL (M2)
3	096039J SPRING HOLDER (1) (M2)	62	2255635 CUSHION RUBBER (M2)
4	390208J MOUNTING SPRING (M2)	63	112853J SOUNDPROOF PUTTY (M2)
5	390215J SPRING HOLDER (2) (M2)	64	6022761 FAN BLADE (M2)
6	040139J RUBBER BUSH/ LEAD WIRE (M2)	65	847003J LOCK NUT/ FAN (M2)
7	1727788 TERMINAL COVER (M2)	66	6024941 DISCHARGE GRILLE ASSY. (M2)
8	380620J RETAINER/ OVER-LOAD PROTECTOR (M2)	67	2255767 EL. COMPO. MOUNTING PLATE (M2)
9	6025146 SOUND INSULATION (OUTER BODY) (M2)	68	6025195 MOUNTING PLATE (TERMINAL BLOCK) (M2)
10	2255419 SOUND INSULATION (TOP) ASSY. (M2)	69	6025196 MOUNTING PLATE (TERMINAL STRIP 1) (M2)
11	2255433 SOUND INSULATION (M2)	70	1684913 TERMINAL BLOCK (M2)
12	6025148 SOUND INSULATION (RIGHT SIDE) (M2)	71	1684920 TERMINAL BLOCK (M2)
13	6025183 SOUND INSULATION (INNER TOP) (M2)	72	6025165 PRINTED CIRCUIT ASSY. (M2)
14	6025184 SOUND INSULATION (MIDDLE TOP) (M2)	73	2255806 SPACER (PCB) (M2)
15	6025149 EVAPORATOR ASSY. (M2)	74	2255813 SPACER (PCB) (M2)
16	6025185 FOUR WAY VALVE ASSY. (M2)	75	1708523 WIRE HARNESS (TERMINAL BLOCK) (M2)
17	4009504 BODY/ FOUR WAY VALVE (M2)	76	1708530 WIRE HARNESS (TERMINAL BLOCK) (M2)
18	6025186 DISCHARGE PIPE ASSY. (M2)	77	NA INDICATION LABEL (TERMINAL) (M2)
19	1618396 MUFFLER (M2)	78	6025197 WIRE HARNESS ASSY. (M2)
20	6025187 HEADER ASSY. (GAS) (M2)	79	6025168 FERRITE CORE (M2)
21	6025188 GAS STOP VALVE ASSY. (M2)	80	113783J TAPPING SCREW (M2)
22	257587J UNION JOINT (M2)	81	1786749 WASHER (FOR EARTH) (M2)
23	252012J UNION JOINT (M2)	82	2255820 MOUNTING PLATE (TERMINAL STRIP 2) (M2)
24	6024015 THERMISTOR ASSY. (M2)	83	2255844 RADIATION SHIELD PLATE (M2)
25	380120J FITTING SPRING/ THERMISTOR (M2)	84	6025169 TERMINAL BLOCK COVER ASSY. (M2)
26	2255471 MUFFLER (M2)	85	6025198 PRINTED CIRCUIT ASSY. (MAIN) (M2)
27	2255488 MUFFLER (M2)	86	153875J FUSE (M2)
28	6025189 MUFFLER (M2)	87	6025171 COVER ASSY. (SERVICE PCB) (M2)
29	6025190 MUFFLER (M2)	88	136116J DOUBLE WASHER MACHINE SCREW (M2)
30	6025191 HEADER ASSY. (LIQUID) (M2)	89	6025172 SWITCH COVER ASSY. (M2)
31	6024032 STOP VALVE (M2)	90	6025173 INDICATION LABEL (SERVICE PCB) (M2)
32	6025156 BODY/ ELECTRONIC EXP. VALVE ASSY. (M2)	91	6025174 FOUR WAY VALVE COIL ASSY. (M2)
33	1749168 BODY/ ELECTRONIC EXP. VALVE (M2)	92	622418J OVERLOAD PROTECTOR (M2)
34	060321J UNION JOINT (M2)	93	6024012 THERMISTOR ASSY. (M2)
35	131823J STRAINER (FOR REF.) (M2)	94	2255750 FIXTURE/ THERMISTOR (M2)
36	4014271 MUFFLER (M2)	95	128511J FIXTURE/ THERMISTOR (M2)
37	6024018 THERMISTOR ASSY. (M2)	96	6025175 WIRE HARNESS (COMP.) (M2)
38	130389J FIXTURE/ THERMISTOR (M2)	97	6024031 FAN MOTOR (M2)
39	6025157 PUTTY (M2)	98	2255899 BOTTOM FRAME ASSY. (M2)
40	6025158 PUTTY (M2)	99	6025177 SIDE PLATE (RIGHT) (M2)
41	6025192 PUTTY (LIQUID HEADER) (M2)	100	6022758 SIDE PLATE (LEFT) (M2)
42	6025160 PUTTY (M2)	101	6022706 FRONT PLATE (M2)
43	6024022 GAS LIQUID SEPARATOR ASSY. (M2)	102	6024003 DISTANCE PLATE (M2)
44	2255729 PUTTY (PLATE FINNED COIL OUTLET) (M2)	103	6022871 MOTOR BASE (M2)
45	2255736 THERMAL INSULATION TUBE (M2)	104	6022759 MOTOR BASE (M2)
46	1723546 FLARE NUT (M2)	105	6022835 HANDLE (M2)
47	119848J FLARE NUT (M2)	106	6025178 DRIP PROOF COVER ASSY. (M2)
48	119849J FLARE NUT (M2)	107	121650J TRUSS HEAD TAPPING SCREW (M2)
49	2158703 CAP/ STOP VALVE (M2)	108	109224J HEX. HEAD TAPPING SCREW (M2)
50	2159232 CAP/ STOP VALVE (M2)	109	6025179 CONDUIT MOUNTING PLATE ASSY. (M2)
51	6024026 COIL/ ELECTRONIC EXP. VALVE ASSY. (M2)	110	048017J PAN HEAD TAPPING SCREW (M2)
52	2254043 COIL/ ELECTRONIC EXP. VALVE (M2)	111	6022834 TOP PLATE (M2)
53	2254050 COIL/ ELECTRONIC EXP. VALVE (M2)	112	6025180 DRIP PROOF PLATE (TERMINAL BLOCK) (M2)
54	2254067 COIL/ ELECTRONIC EXP. VALVE (M2)	113	NA CAUTION LABEL (ELECTRIC SHOCK) (M2)
55	6025193 SUCTION PIPE ASSY. (M2)	114	6002549 SEALING MATERIAL (M2)
56	6025194 STOP VALVE MOUNTING PLATE (1) (M2)	115	4011522 LABEL (M2)
57	2255527 STOP VALVE MOUNTING PLATE (2) (M2)	116	380120J FITTING SPRING/ THERMISTOR (M2)
58	2255565 SINGLE UNION FIXTURE (LIQUID) (M2)	117	7900085 CUSHION RUBBER (BOTTOM FRAME) (M2)
59	2255589 SINGLE UNION FIXTURE (GAS) (M2)	118	7900084 CUSHION MATERIAL (FAN MOTOR STAND) (M2)

Ref. Part No: No:	Description:	Ref. Part No: No:	Description:
-------------------	--------------	-------------------	--------------

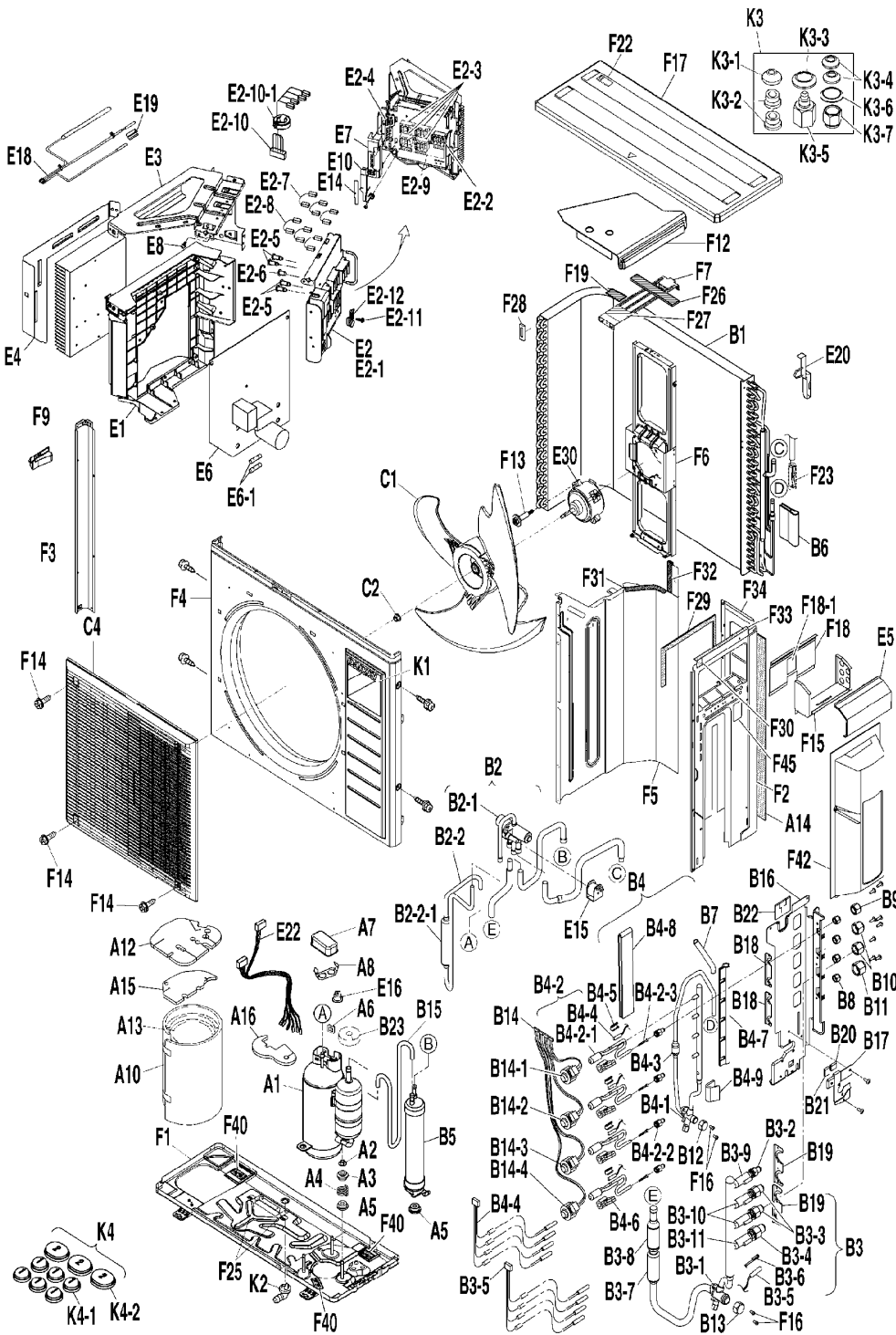
Image 1:

119	2256032	CUSHION MATERIAL (CR FORM RUBBER) (M2)
120	7900083	SEALING MATERIAL (M2)
121	6025181	SEALING MATERIAL (M2)
122	2256056	SEALING MATERIAL (M2)
123	2256063	SEALING MATERIAL (M2)
124	2256070	SEALING MATERIAL (M2)
125	2256087	SEALING MATERIAL (M2)
126	2256094	SEALING MATERIAL (M2)
127	2256102	PUTTY (BOTTOM FRAME) (M2)
128	6024004	COVER/ STOP VALVE (M2)
129	NA	CAUTION LABEL (BURN) (M2)
130	NA	BRAND NAME LABEL (M2)
131	135886J	DRAIN JOINT (M2)
132	6025199	REDUCER ASSY. (M2)
133	257712J	GASKET/ REDUCING JOINT (M2)
134	257709J	GASKET/ REDUCING JOINT (M2)
135	NA	ACCESSORY SET (M2)
136	NA	CAP 1 (DRAIN) (M2)
137	NA	CAP 2 (DRAIN) (M2)

Expanded Model Nomenclature

M1 - 2MXS18NMVJU
M2 - 3MXS24NMVJU
M3 - 4MXS36NMVJU

4MXS36NMVJU



Picture Key		Picture Key	
Ref #	Picture #	Ref #	Picture #
1	A1	74	E2-2
2	A2	75	E2-3
3	A3	76	E2-4
4	A4	77	E2-5
5	A5	78	E2-6
6	A6	79	E2-7
7	A7	80	E2-8
8	A8	81	E2-9
9	A10	82	E2-10
10	A12	83	E2-10-1
11	A13	84	E2-11
12	A14	85	E2-12
13	A15	86	E3
14	A16	87	E4
15	B1	88	E5
16	B2	89	E6
17	B2-1	90	E6-1
18	B2-2	91	E7
19	B2-2-1	92	E8
20	B3	93	E10
21	B3-1	94	E14
22	B3-2	95	E15
23	B3-3	96	E16
24	B3-4	97	E18
25	B3-5	98	E19
26	B3-6	99	E20
27	B3-7	100	E22
28	B3-8	101	E30
29	B3-9	102	F1
30	B3-10	103	F2
31	B3-11	104	F3
32	B4	105	F4
33	B4-1	106	F5
34	B4-2	107	F6
35	B4-2-1	108	F7
36	B4-2-2	109	F9
37	B4-2-3	110	F12
38	B4-3	111	F13
39	B4-4	112	F14
40	B4-5	113	F15
41	B4-6	114	F16
42	B4-7	115	F17
43	B4-8	116	F18
44	B4-9	117	F18-1
45	B5	118	F19
46	B6	119	F22
47	B7	120	F23
48	B8	121	F25
49	B9	122	F26
50	B10	123	F27
51	B11	124	F28
52	B12	125	F29
53	B13	126	F30
54	B14	127	F31
55	B14-1	128	F32
56	B14-2	129	F33
57	B14-3	130	F34
58	B14-4	131	F35
59	B15	132	F36
60	B16	133	F37
61	B17	134	F38
62	B18	135	F39
63	B19	136	F40
64	B20	137	F41
65	B21	138	F42
66	B22	139	F43
67	B23	140	F44
68	C1	141	F45
69	C2	142	F46
70	C4	143	F47
71	E1	144	F48
72	E2	145	F49
73	E2-1	146	F50

Ref. Part No: No:	Description:	Ref. Part No: No:	Description:
Image 1:		Image 1:	
1	6025182 COMPRESSOR ASSY. (M3)	60	6025204 STOP VALVE MOUNTING PLATE (1) (M3)
2	135859J FLANGE NUT (M3)	61	2255527 STOP VALVE MOUNTING PLATE (2) (M3)
3	096039J SPRING HOLDER (1) (M3)	62	2255541 SINGLE UNION FIXTURE (LIQUID) (M3)
4	390208J MOUNTING SPRING (M3)	63	2255589 SINGLE UNION FIXTURE (GAS) (M3)
5	390215J SPRING HOLDER (2) (M3)	64	2255642 SEALING MATERIAL (M3)
6	040139J RUBBER BUSH/ LEAD WIRE (M3)	65	2255628 SEALING MATERIAL (M3)
7	1727788 TERMINAL COVER (M3)	66	2255635 CUSHION RUBBER (M3)
8	380620J RETAINER/ OVER-LOAD PROTECTOR (M3)	67	112853J SOUNDPROOF PUTTY (M3)
9	6025146 SOUND INSULATION (OUTER BODY) (M3)	68	6022761 FAN BLADE (M3)
10	2255419 SOUND INSULATION (TOP) ASSY. (M3)	69	847003J LOCK NUT/ FAN (M3)
11	2255433 SOUND INSULATION (M3)	70	6024941 DISCHARGE GRILLE ASSY. (M3)
12	6025148 SOUND INSULATION (RIGHT SIDE) (M3)	71	2255767 EL. COMPO. MOUNTING PLATE (M3)
13	6025183 SOUND INSULATION (INNER TOP) (M3)	72	6025205 MOUNTING PLATE (TERMINAL BLOCK) (M3)
14	6025184 SOUND INSULATION (MIDDLE TOP) (M3)	73	6025206 MOUNTING PLATE (TERMINAL STRIP 1) (M3)
15	6025149 EVAPORATOR ASSY. (M3)	74	1684913 TERMINAL BLOCK (M3)
16	6025185 FOUR WAY VALVE ASSY. (M3)	75	1684920 TERMINAL BLOCK (M3)
17	4009504 BODY/ FOUR WAY VALVE (M3)	76	6025165 PRINTED CIRCUIT ASSY. (M3)
18	6025186 DISCHARGE PIPE ASSY. (M3)	77	2255806 SPACER (PCB) (M3)
19	1618396 MUFFLER (M3)	78	2255813 SPACER (PCB) (M3)
20	6025200 HEADER ASSY. (GAS) (M3)	79	1708523 WIRE HARNESS (TERMINAL BLOCK) (M3)
21	6025188 GAS STOP VALVE ASSY. (M3)	80	1708530 WIRE HARNESS (TERMINAL BLOCK) (M3)
22	257587J UNION JOINT (M3)	81	6025207 INDICATION LABEL (TERMINAL) (M3)
23	252012J UNION JOINT (M3)	82	6025208 WIRE HARNESS ASSY. (M3)
24	257588J UNION JOINT (M3)	83	6025168 FERRITE CORE (M3)
25	6024016 THERMISTOR ASSY. (GAS) (M3)	84	113783J TAPPING SCREW (M3)
26	380120J FITTING SPRING/ THERMISTOR (M3)	85	1786749 WASHER (FOR EARTH) (M3)
27	2255471 MUFFLER (M3)	86	2255820 MOUNTING PLATE (TERMINAL STRIP 2) (M3)
28	2255488 MUFFLER (M3)	87	2255844 RADIATION SHIELD PLATE (M3)
29	6025189 MUFFLER (M3)	88	6025169 TERMINAL BLOCK COVER ASSY. (M3)
30	6025190 MUFFLER (M3)	89	6025209 PRINTED CIRCUIT ASSY. (MAIN) (M3)
31	6025201 MUFFLER (M3)	90	153875J FUSE (M3)
32	6025202 HEADER ASSY. (LIQUID) (M3)	91	6025171 COVER ASSY. (SERVICE PCB) (M3)
33	6024032 STOP VALVE (M3)	92	136116J DOUBLE WASHER MACHINE SCREW (M3)
34	6025156 BODY/ ELECTRONIC EXP. VALVE ASSY. (M3)	93	6025172 SWITCH COVER ASSY. (M3)
35	1749168 BODY/ ELECTRONIC EXP. VALVE (M3)	94	6025173 INDICATION LABEL (SERVICE PCB) (M3)
36	060321J UNION JOINT (M3)	95	6025174 FOUR WAY VALVE COIL ASSY. (M3)
37	131823J STRAINER (FOR REF.) (M3)	96	622418J OVERLOAD PROTECTOR (M3)
38	4014271 MUFFLER (M3)	97	6024012 THERMISTOR ASSY. (M3)
39	6024019 THERMISTOR ASSY. (M3)	98	2255750 FIXTURE/ THERMISTOR (M3)
40	130389J FIXTURE/ THERMISTOR (M3)	99	128511J FIXTURE/ THERMISTOR (M3)
41	6025157 PUTTY (M3)	100	6025175 WIRE HARNESS (COMP.) (M3)
42	6025158 PUTTY (M3)	101	6024942 DC FAN MOTOR (M3)
43	6025203 PUTTY (LIQUID HEADER) (M3)	102	2255899 BOTTOM FRAME ASSY. (M3)
44	6025160 PUTTY (M3)	103	6025177 SIDE PLATE (RIGHT) (M3)
45	6024022 GAS LIQUID SEPARATOR ASSY. (M3)	104	6022758 SIDE PLATE (LEFT) (M3)
46	2255729 PUTTY (PLATE FINNED COIL OUTLET) (M3)	105	6022706 FRONT PLATE (M3)
47	2255736 THERMAL INSULATION TUBE (M3)	106	6024003 DISTANCE PLATE (M3)
48	1723546 FLARE NUT (M3)	107	6022871 MOTOR BASE (M3)
49	119848J FLARE NUT (M3)	108	6022759 MOTOR BASE (M3)
50	119849J FLARE NUT (M3)	109	6022835 HANDLE (M3)
51	119850J FLARE NUT (M3)	110	6025178 DRIP PROOF COVER ASSY. (M3)
52	2158703 CAP/ STOP VALVE (M3)	111	140380J WASHER FACED HEAD TAPPING SCREW (M3)
53	2159232 CAP/ STOP VALVE (M3)	112	109224J HEX. HEAD TAPPING SCREW (M3)
54	6024027 COIL/ ELECTRONIC EXP. VALVE ASSY. (M3)	113	6025179 CONDUIT MOUNTING PLATE ASSY. (M3)
55	2254043 COIL/ ELECTRONIC EXP. VALVE (M3)	114	048017J PAN HEAD TAPPING SCREW (M3)
56	2254050 COIL/ ELECTRONIC EXP. VALVE (M3)	115	6022834 TOP PLATE (M3)
57	2254067 COIL/ ELECTRONIC EXP. VALVE (M3)	116	6025180 DRIP PROOF PLATE (TERMINAL BLOCK) (M3)
58	2254074 COIL/ ELECTRONIC EXP. VALVE (M3)	117	NA CAUTION LABEL (ELECTRIC SHOCK) (M3)
59	6025193 SUCTION PIPE ASSY. (M3)	118	6002549 SEALING MATERIAL (M3)

Ref. Part No: No:	Description:	Ref. Part No: No:	Description:
Image 1:			
119	4011522		LABEL (M3)
120	380120J		FITTING SPRING/ THERMISTOR (M3)
121	7900085		CUSHION RUBBER (BOTTOM FRAME) (M3)
122	7900084		CUSHION MATERIAL (FAN MOTOR STAND) (M3)
123	2256032		CUSHION MATERIAL (CR FORM RUBBER) (M3)
124	7900083		SEALING MATERIAL (M3)
125	6025181		SEALING MATERIAL (M3)
126	2256056		SEALING MATERIAL (M3)
127	2256063		SEALING MATERIAL (M3)
128	2256070		SEALING MATERIAL (M3)
129	2256087		SEALING MATERIAL (M3)
130	2256094		SEALING MATERIAL (M3)
131	2256102		PUTTY (BOTTOM FRAME) (M3)
132	6024004		COVER/ STOP VALVE (M3)
133	NA		CAUTION LABEL (BURN) (M3)
134	NA		BRAND NAME LABEL (M3)
135	135886J		DRAIN JOINT (M3)
136	NA		REDUCER ASSY. (M3)
137	257553J		GASKET/ REDUCING JOINT (M3)
138	257712J		GASKET/ REDUCING JOINT (M3)
139	257555J		GASKET/ REDUCING JOINT (M3)
140	257709J		GASKET/ REDUCING JOINT (M3)
141	257503J		REDUCING JOINT (M3)
142	257511		FLARE GASKET (M3)
143	119848J		FLARE NUT (M3)
144	NA		ACCESSORY SET (M3)
145	NA		CAP 1 (DRAIN) (M3)
146	NA		CAP 2 (DRAIN) (M3)

Expanded Model Nomenclature

M1 - 2MXS18NMVJU
M2 - 3MXS24NMVJU
M3 - 4MXS36NMVJU