

*MX[L/S] Multi-Split Outdoor Unit

2MXL18WMVJU9
2MXS18WMVJU9
3MXL24WMVJU9
3MXS24WMVJU9
4MXL36WMVJU9
4MXS36WMVJU9
5MXS48WMVJU9



This manual is to be used by qualified technicians only.

Important Information

Index

Functional Parts List	3
Illustration and Parts	4 - 17

Views shown are for parts illustrations only, not servicing procedures.

Text Codes:

AR - As Required

NA - Not Available

NS - Not Shown

00000000 - See Note

QTY - Quantity Example (QTY 3) (If Quantity not shown, Quantity = 1)

M - Model Example (M1) (If M Code not shown, then part is used on all Models)

Expanded Model Nomenclature:

Example
M1 - Model#1
M2 - Model#2
M3 - Model#3

Daikin Comfort Technologies Manufacturing , L.P. is not responsible for personal injury or property damage resulting from improper service. Review all service information before beginning repairs.

Warranty service must be performed by an authorized technician, using authorized factory parts. If service is required after the warranty expires, Daikin Comfort Technologies Manufacturing , L.P. also recommends contacting an authorized technician and using authorized factory parts.

Daikin Comfort Technologies Manufacturing , L.P. reserves the right to discontinue, or change at any time, specifications or designs without notice or without incurring obligations.

For assistance within the U.S.A. contact:
Homeowner Support
Daikin Comfort Technologies Manufacturing , L.P.
19001 Kermier Road
Waller, Texas 77484
855-770-5678-Telephone
713-863-2382-Facsimile

For assistance outside the U.S.A. contact:
International Division
Daikin Comfort Technologies Manufacturing , L.P.
19001 Kermier Road
Waller, Texas 77484
713-861-2500-Telephone
713-863-2382-Facsimile

Functional Parts

Part

No: Description:

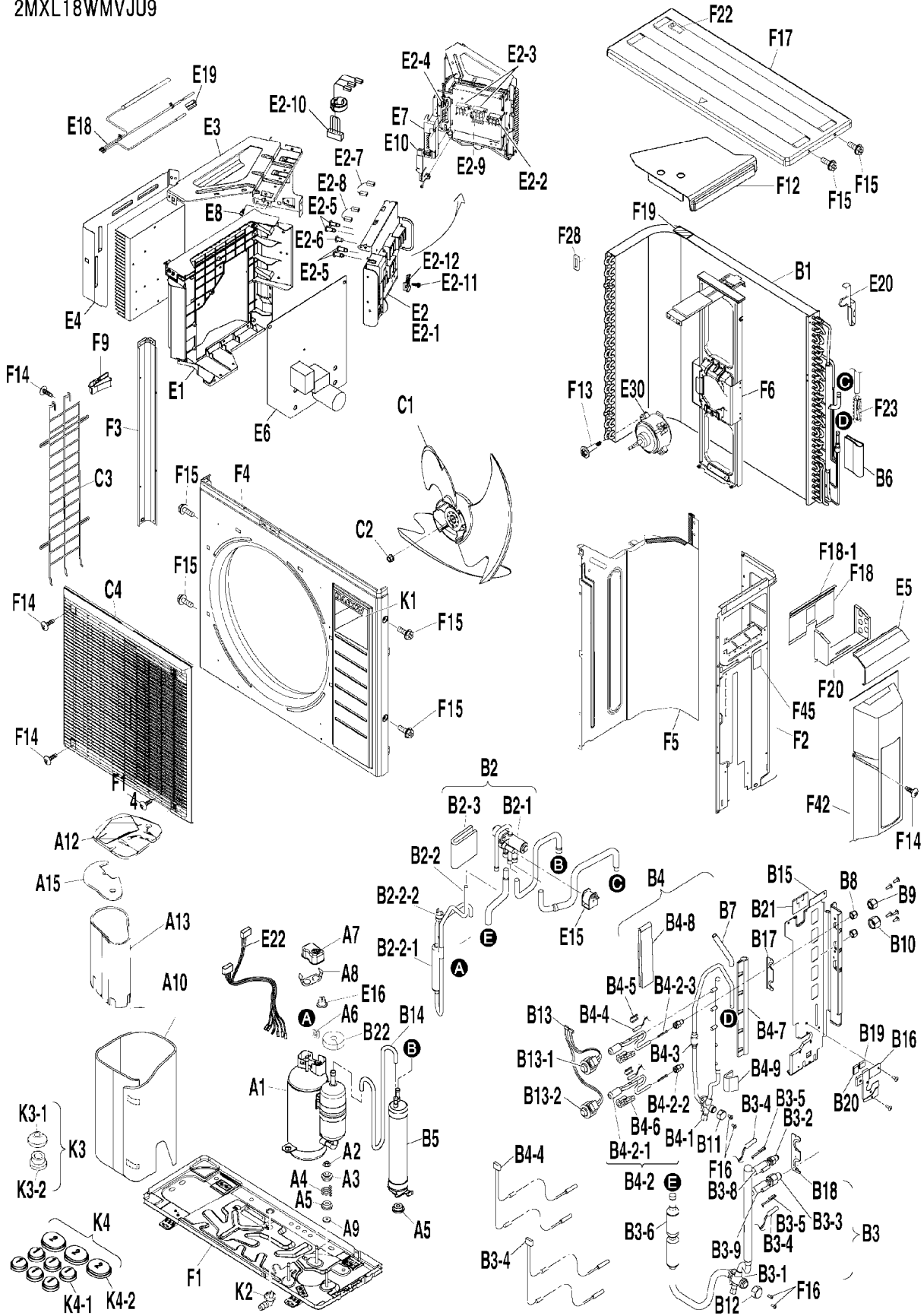
2433000	COMPRESSOR (M5, M7)
4025757	COMPRESSOR (M2)
4025758	COMPRESSOR (M1, M3, M4, M6)
2534983	HIGH PRESSURE SWITCH (M1, M2, M3, M4, M5, M6)
2547957	PRT CIR BD ASSY (M5)
2547454	PRT CIR BD ASSY (M1)
2547959	PRT CIR BD ASSY (M7)
2546814	PRT CIR BD ASSY (MAIN) (M6)
2547564	PRT CIR BD ASSY (MAIN) (M4)
2546803	PRT CIR BD ASSY (MAIN) (M3)
2546758	PRT CIR BD ASSY (MAIN) (M2)
6025165	PRT CIR BD ASSY (SERVICE)
6024017	THERMISTOR ASSY. (M1, M2)
6024018	THERMISTOR ASSY. (M3, M4)
6024012	THERMISTOR ASSY. (M1, M2, M3, M4, M6)
6024019	THERMISTOR ASSY. (M6)
2433396	THERMISTOR ASSY. (M5, M7)
6024016	THERMISTOR ASSY. (GAS) (M6)
6024015	THERMISTOR ASSY. (GAS) (M3, M4)
6024014	THERMISTOR ASSY. (GAS) (M1, M2)
2433776	THERMISTOR ASSY. (GAS) (M7)
2433170	THERMISTOR ASSY. (GAS) (M5)
2433745	THERMISTOR ASSY. (LIQ) (M7)
2433125	THERMISTOR ASSY. (LIQ) (M5)

Expanded Model Nomenclature

M1 - 2MXL18WMVJU9
M2 - 2MXS18WMVJU9
M3 - 3MXL24WMVJU9
M4 - 3MXS24WMVJU9
M5 - 4MXL36WVJU9
M6 - 4MXS36WMVJU9
M7 - 5MXS48WVJU9

2MXL18WMVJU9

2MXL18WMVJU9



Picture Key	
Ref #	Picture #
1	A1
2	A2
3	A3
4	A4
5	A5
6	A6
7	A7
8	A8
9	A9
10	A10
11	A12
12	A13
13	A15
14	B1
15	B2
16	B2-1
17	B2-2
18	B2-2-1
19	B2-2-2
20	B2-3
21	B3
22	B3-1
23	B3-2
24	B3-3
25	B3-4
26	B3-5
27	B3-6
28	B3-8
29	B3-9
30	B4
31	B4-1
32	B4-2
33	B4-2-1
34	B4-2-2
35	B4-2-3
36	B4-3
37	B4-4
38	B4-5
39	B4-6
40	B4-7
41	B4-8
42	B4-9
43	B5
44	B6
45	B7
46	B8
47	B9
48	B10
49	B11
50	B12
51	B13
52	B13-1
53	B13-2
54	B14
55	B15
56	B16
57	B17
58	B18
59	B19
60	B20
61	B21
62	B22
63	C1
64	C2
65	C3
66	C4
67	E1
68	E2
69	E2-1
70	E2-2
71	E2-3
72	E2-4
73	E2-5
74	E2-6
75	E2-7
76	E2-8
77	E2-9
78	E2-10
79	E2-11
80	E2-12
81	E3
82	E4
83	E5
84	E6
85	E7
86	E8
87	E9
88	E10
89	E11
90	E12
91	F1
92	F2
93	F3
94	F4
95	F5
96	F6
97	F7
98	F8
99	F9
100	F10
101	F11
102	F12
103	F13
104	F14
105	F15
106	F16
107	F17
108	F18
109	F18-1
110	F19
111	F20
112	F21
113	F22
114	F23
115	F24
116	F25
117	K1
118	K2
119	K3
120	K3-1
121	K3-2
122	K4
123	K4-1
124	K4-2

2MXL18WMVJU9

Ref. Part No:	Part No:	Description:	Ref. Part No:	Part No:	Description:
<i>Image 1:</i>			<i>Image 1:</i>		
1	4025758	COMPRESSOR (M1)	58	2255589	SINGLE UNION FIXTURE (GAS) (M1)
2	4010410	WASHER (NUT WITH WASHER) (M1)	59	2255642	SEALING MATERIAL (M1)
3	096039J	SPRING HOLDER (1) (M1)	60	2255628	SEALING MATERIAL (M1)
4	390208J	MOUNTING SPRING (M1)	61	2255635	CUSHION RUBBER (M1)
5	390215J	SPRING HOLDER (2) (M1)	62	112853J	VIBRATION ISOLATOR PUTTY (M1)
6	040139J	RUBBER BUSH/ LEAD WIRE (M1)	63	4016827	PROPELLER FAN ASSY. (M1)
7	2425597	TERMINAL COVER (M1)	64	847003J	LOCK NUT/ FAN (M1)
8	380620J	RT/OVL PROTECTOR (M1)	65	6025762	PROTECTION NET (LEFT SIDE) (M1)
9	2255402	PLAIN WASHER (COMP.) (M1)	66	6024941	DISCHARGE GRILLE ASSY. (M1)
10	6025146	SD INSUL (OUTER BODY) (M1)	67	2546555	EL.COMPO.MOUNTING PLATE (M1)
11	6025147	SD INSUL (TOP) ASSY. (M1)	68	2546556	MT PLT TERM STRIP (M1)
12	2255433	SD INSUL (M1)	69	2546557	MT PLT TERM STRIP (M1)
13	6025183	SD INSUL (INNER TOP) (M1)	70	2531225	TERMINAL STRIP (M1)
14	2499480	HEAT EXCHANGER ASSY. (M1)	71	2531224	TERMINAL STRIP (M1)
15	NA	FOUR WAY VALVE ASSY. (M1)	72	6025165	PRT CIR BD ASSY (SERVICE) (M1)
16	2455992	BODY/ FOUR WAY VALVE (M1)	73	1728464	SPACER (PCB) (M1)
17	NA	DISCHARGE PIPE ASSY. (M1)	74	2115472	SPACER (PCB) (M1)
18	161839J	MUFFLER (M1)	75	170852J	WIRE HARNESS (TERMINAL BLOCK) (M1)
19	2534983	HIGH PRESSURE SWITCH (M1)	76	1708530	WIRE HARNESS (TERMINAL BLOCK) (M1)
20	2535547	PUTTY (HEAT RESISTANT) (M1)	77	2546558	INDICATION LABEL (TERMINAL) (M1)
21	NA	HEADER ASSY. (GAS) (M1)	78	6025167	WIRE HARNESS ASSY. (M1)
22	6025188	GAS STOP VALVE ASSY. (M1)	79	113783J	TAPPING SCREW (M1)
23	257587J	UNION JOINT (M1)	80	1786749	WASHER (FOR EARTH) (M1)
24	252012J	UNION JOINT (M1)	81	2255820	MT PLT (TERMINAL STRIP 2) (M1)
25	6024014	THERMISTOR ASSY. (GAS) (M1)	82	2255844	RADIATION SHIELD PLATE (M1)
26	380120J	FITTING SPRING/ THERMISTOR (M1)	83	2546563	TERMINAL STRIP COVER ASSY. (M1)
27	2547486	MUFFLER (M1)	84	2547454	PRT CIR BD ASSY (M1)
28	6025189	MUFFLER (M1)	85	2546559	COVER ASSY (SERVICE PCB) (M1)
29	6025190	MUFFLER (M1)	86	NA	DOUBLE WASHER MACHINE SCREW (M1)
30	NA	HEADER ASSY. (LIQUID) (M1)	87	2546560	SWITCH COVER ASSY (M1)
31	6024032	STOP VALVE ASSY. (M1)	88	6024028	COIL/ FOUR WAY VALVE ASSY. (M1)
32	6025156	BD/ELEC EXP VAL ASSY (M1)	89	622418J	OVERLOAD PROTECTOR (M1)
33	2143516	BD/ELEC EXP. VALVE (M1)	90	6024012	THERMISTOR ASSY. (M1)
34	060321J	UNION JOINT (M1)	91	6005471	FIXTURE/ THERMISTOR (M1)
35	131823J	STRAINER (FOR REF.) (M1)	92	128511J	FIXTURE/ THERMISTOR (M1)
36	2255457	MUFFLER (M1)	93	2546561	WIRE HARNESS ASSY. (COMP.) (M1)
37	6024017	THERMISTOR ASSY. (M1)	94	6024942	FAN MOTOR (M1)
38	1303896	FIXTURE/ THERMISTOR (M1)	95	2504926	BOTTOM FRAME ASSY. (M1)
39	6025157	PUTTY (M1)	96	2505570	SIDE PLATE ASSY. (RIGHT) (M1)
40	6025158	PUTTY (M1)	97	2535570	LEFT SIDE PLATE (M1)
41	6025159	PUTTY (M1)	98	2546565	FRONT PLATE (M1)
42	139706J	PUTTY (M1)	99	2504957	PARTITION PLATE ASSY. (M1)
43	2505563	GAS LQ SEP ASSY. (M1)	100	2546562	FAN MOTOR STAND ASSY. (M1)
44	2255729	PUTTY (M1)	101	6022835	HANDLE (M1)
45	2255736	THERMAL INSULATION TUBE (M1)	102	6025178	DRIP PROOF COVER ASSY. (M1)
46	1723546	FLARE NUT (M1)	103	140380J	WASHER FACED HEAD TAPPING SCREW (M1)
47	119848J	FLARE NUT (M1)	104	008203J	TRUSS HEAD TAPPING SCREW (M1)
48	119849J	FLARE NUT (M1)	105	109224J	HEX HEAD TAPPING SCREW (M1)
49	2158703	VALVE CAP (M1)	106	048017J	PAN HEAD TAPPING SCREW (M1)
50	2159232	VALVE CAP (M1)	107	2534996	TOP PLATE (M1)
51	6024025	COIL/ELEC EXP. VALVE ASSY. (M1)	108	2547455	DRIP PROOF PLATE (M1)
52	2254043	COIL/ELEC EXP. VALVE (M1)	109	NA	CAUTION LABEL (ELECTRIC SHOCK) (M1)
53	2254050	COIL/ELEC EXP. VALVE (M1)	110	6026829	SEALING MATERIAL (HEAT EXCH. TOP) (M1)
54	NA	SUCTION PIPE ASSY. (M1)	111	2546564	CONDUIT MOUNTING PLATE ASSY. (M1)
55	6025162	STP VAL MT PLATE (1) (M1)	112	2546566	CAUTION LABEL (SUPERCARGO CAUTION) (M1)
56	2255527	STP VAL MT PLATE (2) (M1)	113	380120J	FITTING SPRING/ THERMISTOR (M1)
57	2255541	SINGLE UNION FIXTURE (LIQUID) (M1)	114	1708756	SEALING MATERIAL (M1)

2MXL18WMVJU9

**Ref. Part
No: No:**

Description:

**Ref. Part
No: No:**

Description:

Image 1:

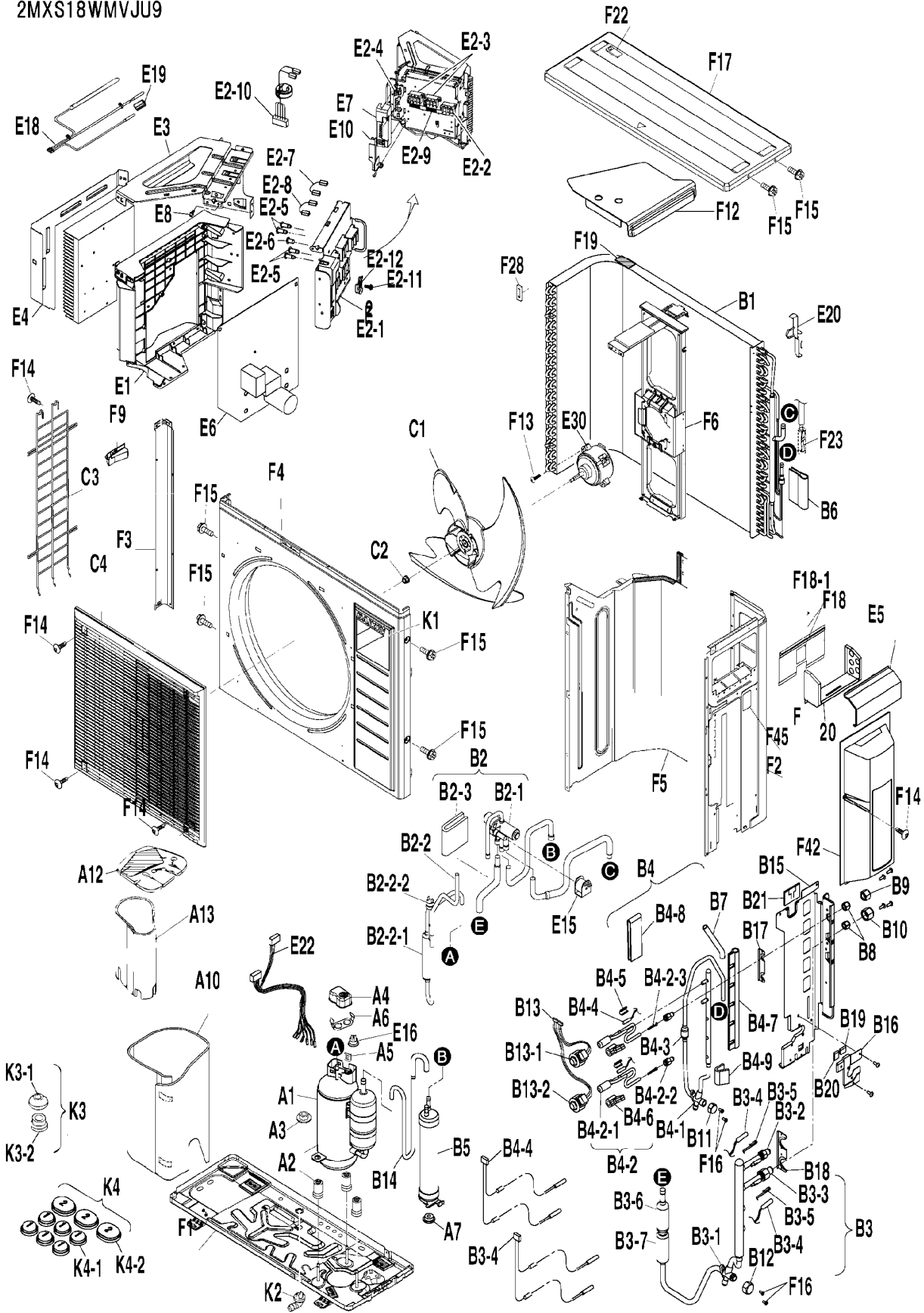
115	6024004	COVER/ STOP VALVE (M1)
116	NA	CAUTION LABEL (BURN) (M1)
117	6025256	BRAND NAME LABEL (M1)
118	058956J	DRAIN JOINT (M1)
119	NA	REDUCING JOINT ASSY. (M1)
120	257712J	GASKET/ REDUCING JOINT (M1)
121	257709J	GASKET/ REDUCING JOINT (M1)
122	NA	ACCESSORY SET (M1)
123	2253709	CAP 1 (DRAIN) (M1)
124	2253716	CAP 2 (DRAIN) (M1)

Expanded Model Nomenclature

M1 - 2MXL18WMVJU9
M2 - 2MXS18WMVJU9
M3 - 3MXL24WMVJU9
M4 - 3MXS24WMVJU9
M5 - 4MXL36WVJU9
M6 - 4MXS36WMVJU9
M7 - 5MXS48WVJU9

2MXS18WMVJU9

2MXS18WMVJU9



Picture Key	
Ref #	Picture #
1	A1
2	A2
3	A3
4	A4
5	A5
6	A6
7	A7
8	A10
9	A12
10	A13
11	B1
12	B2
13	B2-1
14	B2-2
15	B2-2-1
16	B2-2-2
17	B2-3
18	B3
19	B3-1
20	B3-2
21	B3-3
22	B3-4
23	B3-5
24	B3-6
25	B3-7
26	B4
27	B4-1
28	B4-2
29	B4-2-1
30	B4-2-2
31	B4-2-3
32	B4-3
33	B4-4
34	B4-5
35	B4-6
36	B4-7
37	B4-8
38	B4-9
39	B5
40	B6
41	B7
42	B8
43	B9
44	B10
45	B11
46	B12
47	B13
48	B13-1
49	B13-2
50	B14
51	B15
52	B16
53	B17
54	B18
55	B19
56	B20
57	B21
58	C1
59	C2
60	C3
61	C4
62	E1
63	E2
64	E2-1
65	E2-2
66	E2-3
67	E2-4
68	E2-5
69	E2-6
70	E2-7
71	E2-8
72	E2-9
73	E2-10
74	E2-11
75	E2-12
76	E3
77	E4
78	E5
79	E6
80	E7
81	E8
82	E9
83	E10
84	E11
85	E12
86	E13
87	E14
88	E15
89	E16
90	F1
91	F2
92	F3
93	F4
94	F5
95	F6
96	F7
97	F8
98	F9
99	F10
100	F11
101	F12
102	F13
103	F14
104	F15
105	F16
106	F17
107	F18
108	F18-1
109	F19
110	F20
111	F21
112	F22
113	F23
114	F24
115	F25
116	F26
117	F27
118	F28
119	F29

2MXS18WMVJU9

Ref. Part No: No:	Description:	Ref. Part No: No:	Description:
<i>Image 1:</i>		<i>Image 1:</i>	
1	4025757 COMPRESSOR (M2)	58	4016827 PROPELLER FAN ASSY. (M2)
2	128989J VIBRATION ABSORBER (M2)	59	847003J LOCK NUT/ FAN (M2)
3	4010410 WASHER (NUT WITH WASHER) (M2)	60	6025762 PROTECTION NET (LEFT SIDE) (M2)
4	2425597 TERMINAL COVER (M2)	61	6024941 DISCHARGE GRILLE ASSY. (M2)
5	040139J RUBBER BUSH/ LEAD WIRE (M2)	62	2546555 EL.COMPO.MOUNTING PLATE (M2)
6	380620J RT/OVL PROTECTOR (M2)	63	2546556 MT PLT TERM STRIP (M2)
7	390215J SPRING HOLDER (2) (M2)	64	2546557 MOUNTING PLATE (TERMINAL STRIP) (M2)
8	6025146 SD INSUL (OUTER BODY) (M2)	65	2531225 TERMINAL STRIP (M2)
9	6025147 SD INSUL (TOP) ASSY. (M2)	66	2531224 TERMINAL STRIP (M2)
10	2255433 SD INSUL (M2)	67	6025165 PRT CIR BD ASSY (SERVICE) (M2)
11	2499480 HEAT EXCHANGER ASSY. (M2)	68	2115472 SPACER (PCB) (M2)
12	NA FOUR WAY VALVE ASSY. (M2)	69	170852J WIRE HARNESS (TERMINAL BLOCK) (M2)
13	2455992 BODY/ FOUR WAY VALVE (M2)	70	1708530 WIRE HARNESS (TERMINAL BLOCK) (M2)
14	NA DISCHARGE PIPE ASSY. (M2)	71	2546558 INDICATION LABEL (TERMINAL) (M2)
15	161839J MUFFLER (M2)	72	6025167 WIRE HARNESS ASSY. (M2)
16	2534983 HIGH PRESSURE SWITCH (M2)	73	113783J TAPPING SCREW (M2)
17	2535547 PUTTY (HEAT RESISTANT) (M2)	74	1786749 WASHER (FOR EARTH) (M2)
18	NA HEADER ASSY. (GAS) (M2)	75	2255820 MOUNTING PLATE (TERMINAL STRIP 2) (M2)
19	6025153 GAS STOP VALVE ASSY. (M2)	76	2255844 RADIATION SHIELD PLATE (M2)
20	257587J UNION JOINT (M2)	77	1728464 SPACER (PCB) (M2)
21	252012J UNION JOINT (M2)	78	2546563 TERMINAL STRIP COVER ASSY. (M2)
22	6024014 THERMISTOR ASSY. (GAS) (M2)	79	2546758 PRT CIR BD ASSY (MAIN) (M2)
23	380120J FITTING SPRING/ THERMISTOR (M2)	80	2546559 COVER ASSY. (SERVICE PCB) (M2)
24	6025154 MUFFLER (M2)	81	NA DOUBLE WASHER MACHINE SCREW (M2)
25	2547565 MUFFLER (M2)	82	2546560 SWITCH COVER ASSY (M2)
26	NA HEADER ASSY. (LIQUID) (M2)	83	6024028 COIL/ FOUR WAY VALVE ASSY. (M2)
27	6024032 STOP VALVE ASSY. (M2)	84	622418J OVERLOAD PROTECTOR (M2)
28	6025156 BD/ELEC EXP VAL ASSY (M2)	85	6024012 THERMISTOR ASSY. (M2)
29	2143516 BD/ELEC EXP. VALVE (M2)	86	1728781 THERMISTOR FIXTURE (M2)
30	060321J UNION JOINT (M2)	87	128511J FIXTURE/ THERMISTOR (M2)
31	131823J STRAINER (FOR REF.) (M2)	88	2546561 WIRE HARNESS ASSY. (COMP.) (M2)
32	2255457 MUFFLER (M2)	89	6024031 FAN MOTOR (M2)
33	6024017 THERMISTOR ASSY. (M2)	90	2505587 BOTTOM FRAME ASSY. (M2)
34	1303896 FIXTURE/ THERMISTOR (M2)	91	2505570 SIDE PLATE ASSY. (RIGHT) (M2)
35	6025157 PUTTY (M2)	92	2535570 LEFT SIDE PLATE (M2)
36	6025158 PUTTY (M2)	93	2546565 FRONT PLATE (M2)
37	6025159 PUTTY (M2)	94	2504957 PARTITION PLATE ASSY. (M2)
38	139706J PUTTY (M2)	95	2546562 FAN MOTOR STAND ASSY. (M2)
39	2505563 GAS LQ SEP ASSY. (M2)	96	6022835 HANDLE (M2)
40	2255729 PUTTY (M2)	97	6025178 DRIP PROOF COVER ASSY. (M2)
41	2255736 THERMAL INSULATION TUBE (M2)	98	121650J TRUSS HEAD TAPPING SCREW (M2)
42	1723546 FLARE NUT (M2)	99	008203J TRUSS HEAD TAPPING SCREW (M2)
43	119848J FLARE NUT (M2)	100	109224J HEX HEAD TAPPING SCREW (M2)
44	119849J FLARE NUT (M2)	101	048017J PAN HEAD TAPPING SCREW (M2)
45	2158703 VALVE CAP (M2)	102	2534996 TOP PLATE (M2)
46	2159232 VALVE CAP (M2)	103	2547455 DRIP PROOF PLATE (M2)
47	6024025 COIL/ELEC EXP. VALVE ASSY. (M2)	104	NA CAUTION LABEL (ELECTRIC SHOCK) (M2)
48	2254043 COIL/ELEC EXP. VALVE (M2)	105	6026829 SEALING MATERIAL (HEAT EXCH. TOP) (M2)
49	2254050 COIL/ELEC EXP. VALVE (M2)	106	2546564 CONDUIT MOUNTING PLATE ASSY. (M2)
50	NA SUCTION PIPE ASSY. (M2)	107	2546566 CAUTION LABEL (SUPERCARGO CAUTION) (M2)
51	6025162 STP VAL MT PLATE (1) (M2)	108	380120J FITTING SPRING/ THERMISTOR (M2)
52	2255527 STP VAL MT PLATE (2) (M2)	109	1708756 SEALING MATERIAL (M2)
53	2255541 SINGLE UNION FIXTURE (LIQUID) (M2)	110	6024004 COVER/ STOP VALVE (M2)
54	2255589 SINGLE UNION FIXTURE (GAS) (M2)	111	NA CAUTION LABEL (BURN) (M2)
55	2255642 SEALING MATERIAL (M2)	112	6025256 BRAND NAME LABEL (M2)
56	2255628 SEALING MATERIAL (M2)	113	058956J DRAIN JOINT (M2)
57	2255635 CUSHION RUBBER (M2)	114	NA REDUCING JOINT ASSY. (M2)

2MXS18WMVJU9

Ref. Part

No: No:

Description:

Ref. Part

No: No:

Description:

Image 1:

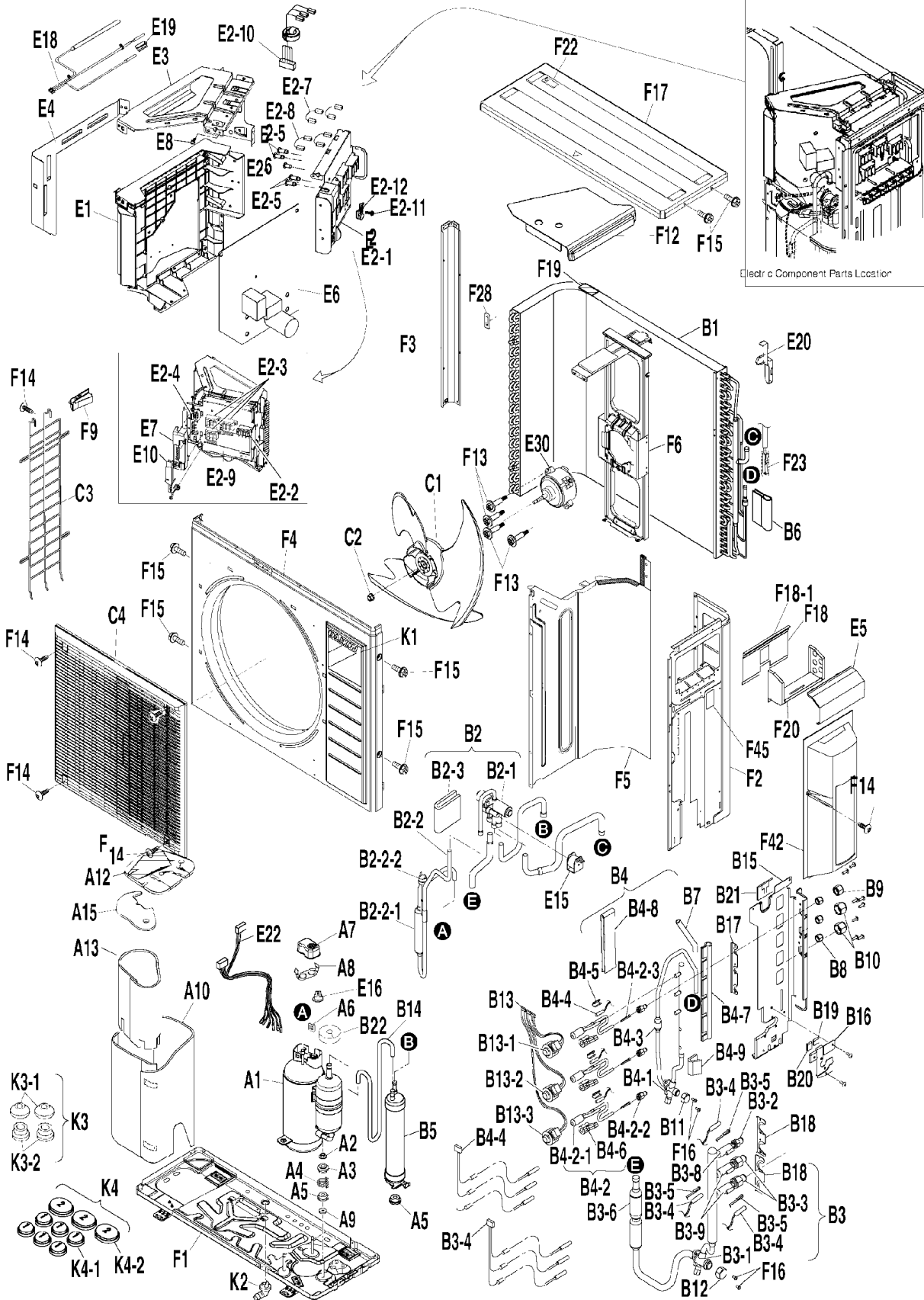
115	257712J	GASKET/ REDUCING JOINT (M2)
116	257709J	GASKET/ REDUCING JOINT (M2)
117	NA	ACCESSORY SET (M2)
118	2253709	CAP 1 (DRAIN) (M2)
119	2253716	CAP 2 (DRAIN) (M2)

Expanded Model Nomenclature

- M1 - 2MXL18WMVJU9
- M2 - 2MXS18WMVJU9
- M3 - 3MXL24WMVJU9
- M4 - 3MXS24WMVJU9
- M5 - 4MXL36WVJU9
- M6 - 4MXS36WMVJU9
- M7 - 5MXS48WVJU9

3MXL24WMVJU9

3MXL24WMVJU9



Picture Key	
Ref #	Picture #
1	A1
2	A2
3	A3
4	A4
5	A5
6	A6
7	A7
8	A8
9	A9
10	A10
11	A12
12	A13
13	A15
14	B1
15	B2
16	E2-1
17	B2-2
18	B2-2-1
19	B2-2-2
20	B2-3
21	B3
22	B3-1
23	B2-2
24	B3-3
25	B3-4
26	B3-5
27	B3-6
28	B3-8
29	B3-9
30	B4
31	B4-1
32	B4-2
33	B4-2-1
34	B4-2-2
35	B4-2-3
36	B4-3
37	B4-4
38	B4-5
39	B4-6
40	B4-7
41	B4-8
42	B4-9
43	B5
44	B6
45	B7
46	B8
47	B9
48	B10
49	B11
50	B12
51	B13
52	B13-1
53	B13-2
54	B13-3
55	B14
56	B15
57	B16
58	B17
59	B18
60	B19
61	B20
62	B21
63	B22
64	C1
65	C2
66	C3
67	C4
68	E1
69	E2
70	E2-1
71	E2-2
72	E2-3
73	E2-4
74	E2-5
75	E2-6
76	E2-7
77	E2-8
78	E2-9
79	E2-10
80	E2-11
81	E2-12
82	E3
83	E4
84	E5
85	E6
86	E7
87	E8
88	E9
89	E10
90	E11
91	E12
92	E15
93	E16
94	E18
95	E19
96	F1
97	F2
98	F3
99	F4
100	F5
101	F6
102	F7
103	F8
104	F9
105	F10
106	F11
107	F12
108	F13
109	F14
110	F15
111	F16
112	F17
113	F18
114	F19
115	F20
116	F21
117	F22
118	F23
119	F24
120	F25
121	F26
122	F27
123	F28
124	K1
125	K2
126	K3
127	K3-1
128	K3-2
129	K4
130	K4-1
131	K4-2

3MXL24WMVJU9

Ref. Part No:	Part No:	Description:	Ref. Part No:	Part No:	Description:
<i>Image 1:</i>			<i>Image 1:</i>		
1	4025758	COMPRESSOR (M3)	58	2255565	SINGLE UNION FIXTURE (LIQUID) (M3)
2	4010410	WASHER (NUT WITH WASHER) (M3)	59	2255589	SINGLE UNION FIXTURE (GAS) (M3)
3	096039J	SPRING HOLDER (1) (M3)	60	2255642	SEALING MATERIAL (M3)
4	390208J	MOUNTING SPRING (M3)	61	2255628	SEALING MATERIAL (M3)
5	390215J	SPRING HOLDER (2) (M3)	62	2255635	CUSHION RUBBER (M3)
6	040139J	RUBBER BUSH/ LEAD WIRE (M3)	63	112853J	VIBRATION ISOLATOR PUTTY (M3)
7	2425597	TERMINAL COVER (M3)	64	4016827	PROPELLER FAN ASSY. (M3)
8	380620J	RT/OVL PROTECTOR (M3)	65	847003J	LOCK NUT/ FAN (M3)
9	2255402	PLAIN WASHER (COMP.) (M3)	66	6025762	PROTECTION NET (LEFT SIDE) (M3)
10	6025146	SD INSUL (OUTER BODY) (M3)	67	6024941	DISCHARGE GRILLE ASSY. (M3)
11	6025147	SD INSUL (TOP) ASSY. (M3)	68	2546555	EL.COMPO.MOUNTING PLATE (M3)
12	2255433	SD INSUL (M3)	69	NA	MT PLT TERM STRIP (M3)
13	6025183	SD INSUL (INNER TOP) (M3)	70	2546683	MOUNTING PLATE (TERMINAL STRIP) (M3)
14	2499480	HEAT EXCHANGER ASSY. (M3)	71	2531225	TERMINAL STRIP (M3)
15	NA	FOUR WAY VALVE ASSY. (M3)	72	2531224	TERMINAL STRIP (M3)
16	2455992	BODY/ FOUR WAY VALVE (M3)	73	6025165	PRT CIR BD ASSY (SERVICE) (M3)
17	NA	DISCHARGE PIPE ASSY. (M3)	74	1728464	SPACER (PCB) (M3)
18	161839J	MUFFLER (M3)	75	2115472	SPACER (PCB) (M3)
19	2534983	HIGH PRESSURE SWITCH (M3)	76	170852J	WIRE HARNESS (TERMINAL BLOCK) (M3)
20	2535547	PUTTY (HEAT RESISTANT) (M3)	77	1708530	WIRE HARNESS (TERMINAL BLOCK) (M3)
21	NA	HEADER ASSY. (GAS) (M3)	78	NA	INDICATION LABEL (TERMINAL) (M3)
22	6025188	GAS STOP VALVE ASSY. (M3)	79	6025197	WIRE HARNESS ASSY. (M3)
23	257587J	UNION JOINT (M3)	80	113783J	TAPPING SCREW (M3)
24	252012J	UNION JOINT (M3)	81	1786749	WASHER (FOR EARTH) (M3)
25	6024015	THERMISTOR ASSY. (GAS) (M3)	82	2255820	MOUNTING PLATE (TERMINAL STRIP 2) (M3)
26	380120J	FITTING SPRING/ THERMISTOR (M3)	83	2255844	RADIATION SHIELD PLATE (M3)
27	2547486	MUFFLER (M3)	84	2546563	TERMINAL STRIP COVER ASSY. (M3)
28	6025189	MUFFLER (M3)	85	2546803	PRT CIR BD ASSY (MAIN) (M3)
29	6025190	MUFFLER (M3)	86	2546559	COVER ASSY. (SERVICE PCB) (M3)
30	NA	HEADER ASSY. (LIQUID) (M3)	87	NA	DOUBLE WASHER MACHINE SCREW (M3)
31	6024032	STOP VALVE ASSY. (M3)	88	2546560	SWITCH COVER ASSY (M3)
32	6025156	BD/ELEC EXP VAL ASSY (M3)	89	6024028	COIL/ FOUR WAY VALVE ASSY. (M3)
33	2143516	BD/ELEC EXP. VALVE (M3)	90	622418J	OVERLOAD PROTECTOR (M3)
34	060321J	UNION JOINT (M3)	91	6024012	THERMISTOR ASSY. (M3)
35	131823J	STRAINER (FOR REF.) (M3)	92	6005471	FIXTURE/ THERMISTOR (M3)
36	2255457	MUFFLER (M3)	93	128511J	FIXTURE/ THERMISTOR (M3)
37	6024018	THERMISTOR ASSY. (M3)	94	2546561	WIRE HARNESS ASSY. (COMP.) (M3)
38	1303896	FIXTURE/ THERMISTOR (M3)	95	6024942	FAN MOTOR (M3)
39	6025157	PUTTY (M3)	96	2504926	BOTTOM FRAME ASSY. (M3)
40	6025158	PUTTY (M3)	97	2505570	SIDE PLATE ASSY. (RIGHT) (M3)
41	6025192	PUTTY (M3)	98	2535570	LEFT SIDE PLATE (M3)
42	139706J	PUTTY (M3)	99	2546565	FRONT PLATE (M3)
43	2505563	GAS LQ SEP ASSY. (M3)	100	2504957	PARTITION PLATE ASSY. (M3)
44	2255729	PUTTY (M3)	101	2546562	FAN MOTOR STAND ASSY. (M3)
45	2255736	THERMAL INSULATION TUBE (M3)	102	6022835	HANDLE (M3)
46	1723546	FLARE NUT (M3)	103	6025178	DRIP PROOF COVER ASSY. (M3)
47	119848J	FLARE NUT (M3)	104	140380J	WASHER FACED HEAD TAPPING SCREW (M3)
48	119849J	FLARE NUT (M3)	105	008203J	TRUSS HEAD TAPPING SCREW (M3)
49	2158703	VALVE CAP (M3)	106	109224J	HEX HEAD TAPPING SCREW (M3)
50	2159232	VALVE CAP (M3)	107	048017J	PAN HEAD TAPPING SCREW (M3)
51	NA	COIL/ELEC EXP. VALVE ASSY. (M3)	108	2534996	TOP PLATE (M3)
52	2254043	COIL/ELEC EXP. VALVE (M3)	109	2547455	DRIP PROOF PLATE (M3)
53	2254050	COIL/ELEC EXP. VALVE (M3)	110	NA	CAUTION LABEL (ELECTRIC SHOCK) (M3)
54	2254067	COIL/ELEC EXP. VALVE (M3)	111	6026829	SEALING MATERIAL (HEAT EXCH. TOP) (M3)
55	NA	SUCTION PIPE ASSY. (M3)	112	2546564	CONDUIT MOUNTING PLATE ASSY. (M3)
56	6025194	STP VAL MT PLATE (1) (M3)	113	2546566	CAUTION LABEL (SUPERCARGO CAUTION) (M3)
57	2255527	STP VAL MT PLATE (2) (M3)	114	380120J	FITTING SPRING/ THERMISTOR (M3)

3MXL24WMVJU9

**Ref. Part
No: No:**

Description:

**Ref. Part
No: No:**

Description:

Image 1:

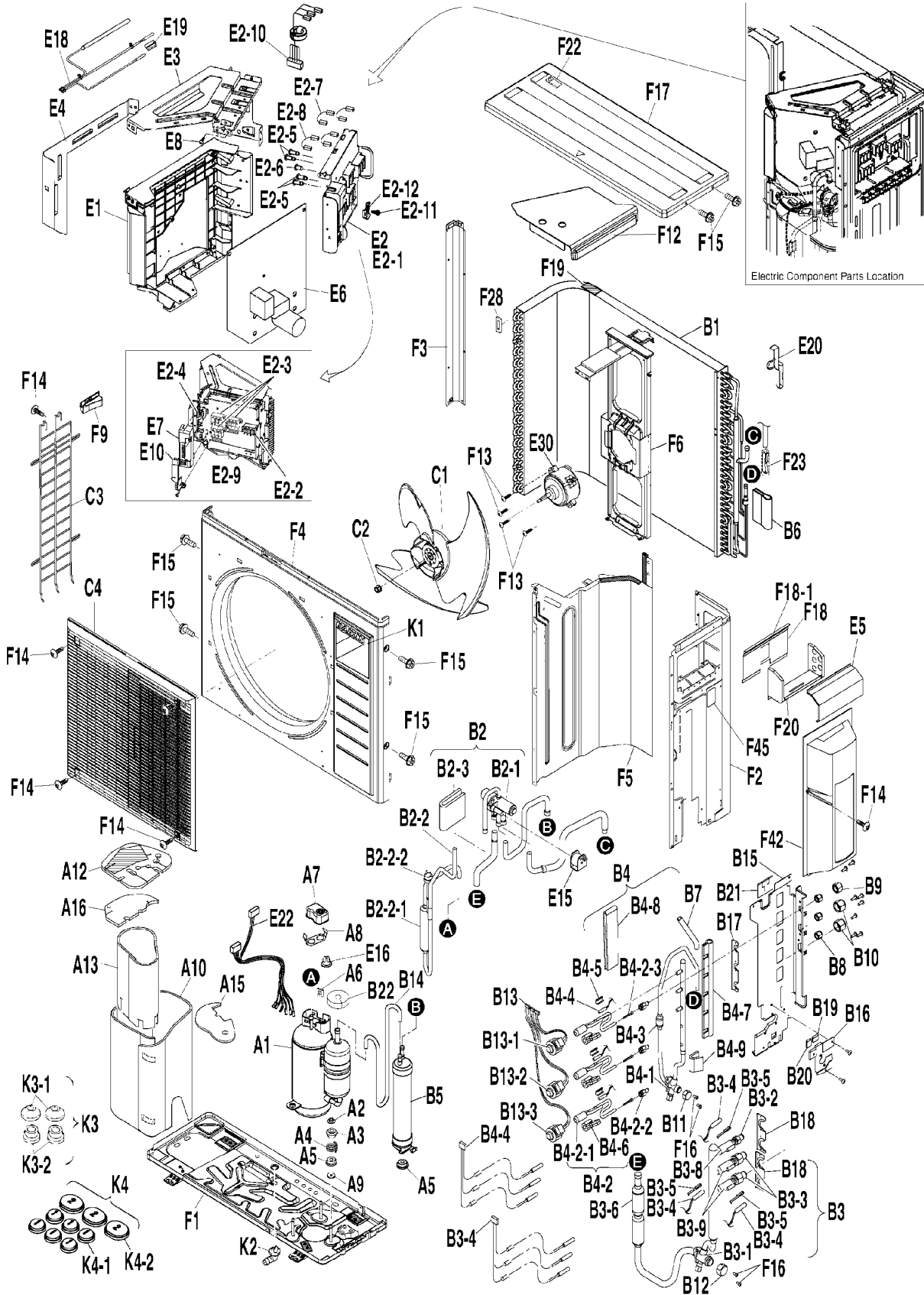
115	1708756	SEALING MATERIAL (M3)
116	6024004	COVER/ STOP VALVE (M3)
117	NA	CAUTION LABEL (BURN) (M3)
118	6025256	BRAND NAME LABEL (M3)
119	058956J	DRAIN JOINT (M3)
120	NA	REDUCER ASSY. (M3)
121	257712J	GASKET/ REDUCING JOINT (M3)
122	257709J	GASKET/ REDUCING JOINT (M3)
123	NA	ACCESSORY SET (M3)
124	2253709	CAP 1 (DRAIN) (M3)
125	2253716	CAP 2 (DRAIN) (M3)

Expanded Model Nomenclature

M1 - 2MXL18WMVJU9
M2 - 2MXS18WMVJU9
M3 - 3MXL24WMVJU9
M4 - 3MXS24WMVJU9
M5 - 4MXL36WVJU9
M6 - 4MXS36WMVJU9
M7 - 5MXS48WVJU9

3MXS24WMVJU9

3MXS24WMVJU9



Picture Key	
Ref #	Picture #
1	A1
2	A2
3	A3
4	A4
5	A5
6	A6
7	A7
8	A8
9	A9
10	A10
11	A11
12	A12
13	A13
14	A14
15	A15
16	A16
17	B1
18	B2
19	B2-1
20	B2-2
21	B2-3
22	B3
23	B3-1
24	B3-2
25	B3-3
26	B3-4
27	B3-5
28	B3-6
29	B3-8
30	B3-9
31	B4
32	B4-1
33	B4-2
34	B4-2-1
35	B4-2-2
36	B4-2-3
37	B4-3
38	B4-4
39	B4-5
40	B4-6
41	B4-7
42	B4-8
43	B4-9
44	B5
45	B6
46	B7
47	B8
48	B9
49	B10
50	B11
51	B12
52	B13
53	B13-1
54	B13-2
55	B13-3
56	B14
57	B15
58	B16
59	B17
60	B18
61	B19
62	B20
63	B21
64	B22
65	C1
66	C2
67	C3
68	C4
69	E1
70	E2
71	E2-1
72	E2-2
73	E2-3
74	E2-4
75	E2-5
76	E2-6
77	E2-7
78	E2-8
79	E2-9
80	E2-10
81	E2-11
82	E2-12
83	E3
84	E4
85	E5
86	E6
87	E7
88	E8
89	E9
90	E10
91	F1
92	F2
93	F3
94	F4
95	F5
96	F6
97	F7
98	F8
99	F9
100	F10
101	F11
102	F12
103	F13
104	F14
105	F15
106	F16
107	F17
108	F18
109	F19
110	F20
111	F21
112	F22
113	F23
114	F24
115	F25
116	F26
117	F27
118	F28
119	K1
120	K2
121	K3
122	K3-1
123	K3-2
124	K4
125	K4-1
126	K4-2

3MXS24WMVJU9

Ref. Part No:	Ref. Part No:	Description:	Description:		
Image 1:		Image 1:			
1	4025758	COMPRESSOR (M4)	58	2255527	STP VAL MT PLATE (2) (M4)
2	4010410	WASHER (NUT WITH WASHER) (M4)	59	2255565	SINGLE UNION FIXTURE (LIQUID) (M4)
3	096039J	SPRING HOLDER (1) (M4)	60	2255589	SINGLE UNION FIXTURE (GAS) (M4)
4	390208J	MOUNTING SPRING (M4)	61	2255642	SEALING MATERIAL (M4)
5	390215J	SPRING HOLDER (2) (M4)	62	2255628	SEALING MATERIAL (M4)
6	040139J	RUBBER BUSH/ LEAD WIRE (M4)	63	2255635	CUSHION RUBBER (M4)
7	2425597	TERMINAL COVER (M4)	64	112853J	VIBRATION ISOLATOR PUTTY (M4)
8	380620J	RT/OVL PROTECTOR (M4)	65	4016827	PROPELLER FAN ASSY. (M4)
9	2255402	PLAIN WASHER (COMP.) (M4)	66	847003J	LOCK NUT/ FAN (M4)
10	6025146	SD INSUL (OUTER BODY) (M4)	67	6025762	PROTECTION NET (LEFT SIDE) (M4)
11	6025147	SD INSUL (TOP) ASSY. (M4)	68	6024941	DISCHARGE GRILLE ASSY. (M4)
12	2255433	SD INSUL (M4)	69	2546555	EL.COMPO.MOUNTING PLATE (M4)
13	6025183	SD INSUL (INNER TOP) (M4)	70	NA	MT PLT TERM STRIP (M4)
14	2546684	SD INSUL (MIDDLE TOP) (M4)	71	2546683	MOUNTING PLATE (TERMINAL STRIP) (M4)
15	2499480	HEAT EXCHANGER ASSY. (M4)	72	2531225	TERMINAL STRIP (M4)
16	NA	FOUR WAY VALVE ASSY. (M4)	73	2531224	TERMINAL STRIP (M4)
17	2455992	BODY/ FOUR WAY VALVE (M4)	74	6025165	PRT CIR BD ASSY (SERVICE) (M4)
18	NA	DISCHARGE PIPE ASSY. (M4)	75	1728464	SPACER (PCB) (M4)
19	161839J	MUFFLER (M4)	76	2115472	SPACER (PCB) (M4)
20	2534983	HIGH PRESSURE SWITCH (M4)	77	170852J	WIRE HARNESS (TERMINAL BLOCK) (M4)
21	2535547	PUTTY (HEAT RESISTANT) (M4)	78	1708530	WIRE HARNESS (TERMINAL BLOCK) (M4)
22	NA	HEADER ASSY. (GAS) (M4)	79	NA	INDICATION LABEL (TERMINAL) (M4)
23	6025188	GAS STOP VALVE ASSY. (M4)	80	6025197	WIRE HARNESS ASSY. (M4)
24	257587J	UNION JOINT (M4)	81	113783J	TAPPING SCREW (M4)
25	252012J	UNION JOINT (M4)	82	1786749	WASHER (FOR EARTH) (M4)
26	6024015	THERMISTOR ASSY. (GAS) (M4)	83	2255820	MOUNTING PLATE (TERMINAL STRIP 2) (M4)
27	380120J	FITTING SPRING/ THERMISTOR (M4)	84	2255844	RADIATION SHIELD PLATE (M4)
28	2547486	MUFFLER (M4)	85	2546563	TERMINAL STRIP COVER ASSY. (M4)
29	6025189	MUFFLER (M4)	86	2547564	PRT CIR BD ASSY (MAIN) (M4)
30	6025190	MUFFLER (M4)	87	2546559	COVER ASSY. (SERVICE PCB) (M4)
31	NA	HEADER ASSY. (LIQUID) (M4)	88	NA	DOUBLE WASHER MACHINE SCREW (M4)
32	6024032	STOP VALVE ASSY. (M4)	89	2546560	SWITCH COVER ASSY (M4)
33	6025156	BD/ELEC EXP VAL ASSY (M4)	90	6024028	COIL/ FOUR WAY VALVE ASSY. (M4)
34	2143516	BD/ELEC EXP. VALVE (M4)	91	622418J	OVERLOAD PROTECTOR (M4)
35	060321J	UNION JOINT (M4)	92	6024012	THERMISTOR ASSY. (M4)
36	131823J	STRAINER (FOR REF.) (M4)	93	6005471	FIXTURE/ THERMISTOR (M4)
37	2255457	MUFFLER (M4)	94	128511J	FIXTURE/ THERMISTOR (M4)
38	6024018	THERMISTOR ASSY. (M4)	95	2546561	WIRE HARNESS ASSY. (COMP.) (M4)
39	1303896	FIXTURE/ THERMISTOR (M4)	96	6024031	FAN MOTOR (M4)
40	6025157	PUTTY (M4)	97	2505570	SIDE PLATE ASSY. (RIGHT) (M4)
41	6025158	PUTTY (M4)	98	2504926	BOTTOM FRAME ASSY. (M4)
42	6025192	PUTTY (M4)	99	2535570	LEFT SIDE PLATE (M4)
43	139706J	PUTTY (M4)	100	2546565	FRONT PLATE (M4)
44	2505563	GAS LQ SEP ASSY. (M4)	101	2504957	PARTITION PLATE ASSY. (M4)
45	2255729	PUTTY (M4)	102	2546562	FAN MOTOR STAND ASSY. (M4)
46	2255736	THERMAL INSULATION TUBE (M4)	103	6022835	HANDLE (M4)
47	1723546	FLARE NUT (M4)	104	6025178	DRIP PROOF COVER ASSY. (M4)
48	119848J	FLARE NUT (M4)	105	NA	TRUSS HEAD TAPPING SCREW (M4)
49	119849J	FLARE NUT (M4)	106	008203J	TRUSS HEAD TAPPING SCREW (M4)
50	2158703	VALVE CAP (M4)	107	109224J	HEX HEAD TAPPING SCREW (M4)
51	2159232	VALVE CAP (M4)	108	048017J	PAN HEAD TAPPING SCREW (M4)
52	NA	COIL/ELEC EXP. VALVE ASSY. (M4)	109	2534996	TOP PLATE (M4)
53	2254043	COIL/ELEC EXP. VALVE (M4)	110	2547455	DRIP PROOF PLATE (M4)
54	2254050	COIL/ELEC EXP. VALVE (M4)	111	NA	CAUTION LABEL (ELECTRIC SHOCK) (M4)
55	2254067	COIL/ELEC EXP. VALVE (M4)	112	6026829	SEALING MATERIAL (HEAT EXCH. TOP) (M4)
56	NA	SUCTION PIPE ASSY. (M4)	113	2546564	CONDUIT MOUNTING PLATE ASSY. (M4)
57	6025194	STP VAL MT PLATE (1) (M4)	114	2546566	CAUTION LABEL (SUPERCARGO CAUTION) (M4)

3MXS24WMVJU9

Ref. Part No:	Ref. Part No:	Description:	Description:
----------------------	----------------------	---------------------	---------------------

Image 1:

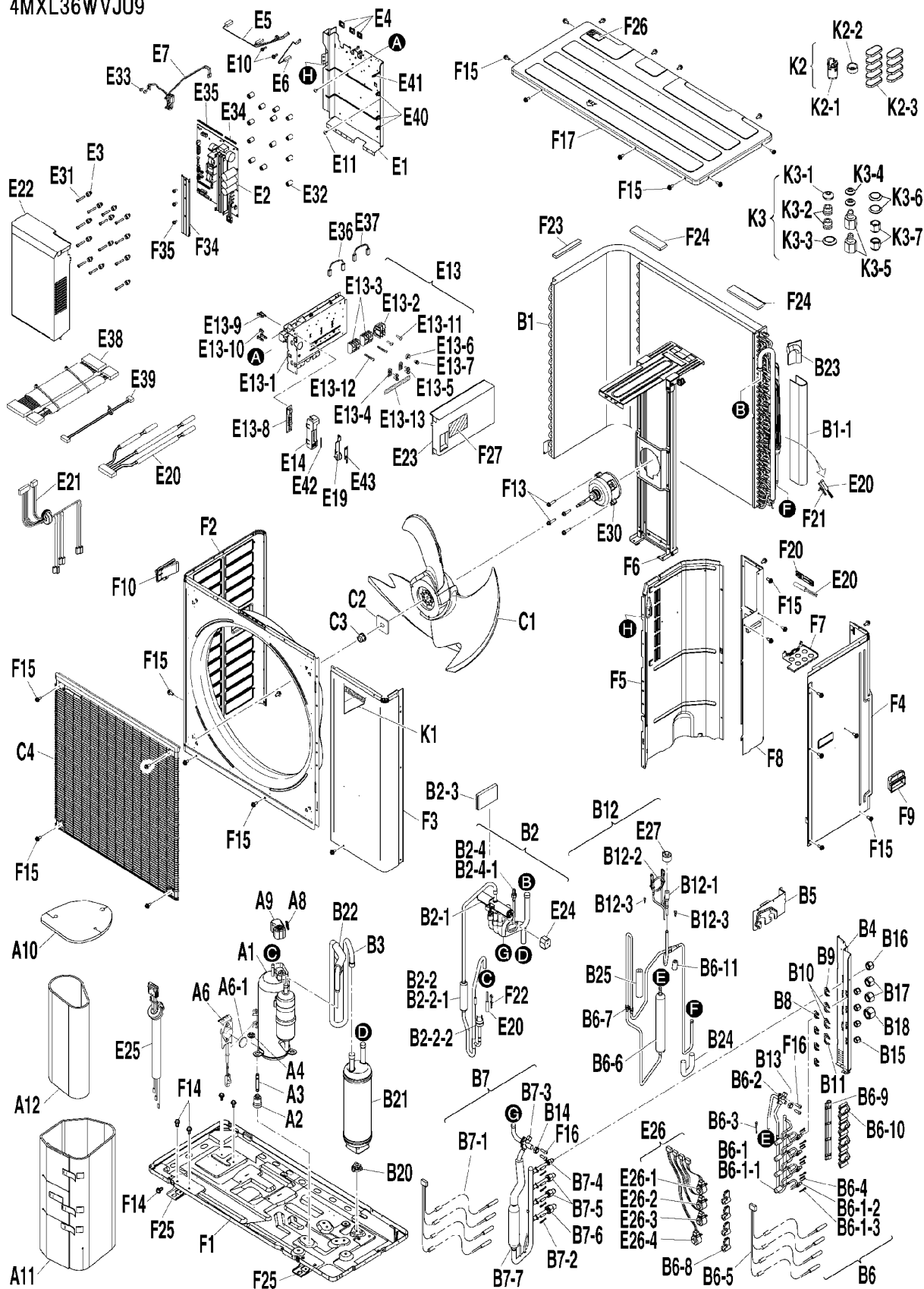
115	380120J	FITTING SPRING/ THERMISTOR (M4)
116	1708756	SEALING MATERIAL (M4)
117	6024004	COVER/ STOP VALVE (M4)
118	NA	CAUTION LABEL (BURN) (M4)
119	6025256	BRAND NAME LABEL (M4)
120	058956J	DRAIN JOINT (M4)
121	NA	REDUCER ASSY. (M4)
122	257712J	GASKET/ REDUCING JOINT (M4)
123	257709J	GASKET/ REDUCING JOINT (M4)
124	NA	ACCESSORY SET (M4)
125	2253709	CAP 1 (DRAIN) (M4)
126	2253716	CAP 2 (DRAIN) (M4)

Expanded Model Nomenclature

- M1 - 2MXL18WMVJU9
- M2 - 2MXS18WMVJU9
- M3 - 3MXL24WMVJU9
- M4 - 3MXS24WMVJU9
- M5 - 4MXL36WVJU9
- M6 - 4MXS36WMVJU9
- M7 - 5MXS48WVJU9

4MXL36WVJU9

4MXL36WVJU9



Picture Key	Ref #	Picture #
	2	A1
	3	A3
	4	A4
	5	A6
	6	A6-1
	7	A8
	8	A8
	9	A10
	10	A11
	11	A12
	12	B1
	13	B1-1
	14	B2
	15	B2-1
	16	B2-2
	17	B2-2-1
	18	B2-2-2
	19	B2-3
	20	B2-4
	21	B2-4-1
	22	B3
	23	B4
	24	B5
	25	B6
	26	B6-1
	27	B6-1-1
	28	B6-1-2
	29	B6-1-3
	30	B6-2
	31	B6-3
	32	B6-4
	33	B6-5
	34	B6-6
	35	B6-7
	36	B6-8
	37	B6-9
	38	B6-10
	39	B6-11
	40	B7
	41	B7-1
	42	B7-2
	43	B7-3
	44	B7-4
	45	B7-5
	46	B7-6
	47	B7-7
	48	B8
	49	B9
	50	B10
	51	B11
	52	B12
	53	B12-1
	54	B12-2
	55	B12-3
	56	B13
	57	B14
	58	B15
	59	B16
	60	B17
	61	B18
	62	B19
	63	B20
	64	B21
	65	B22
	66	B23
	67	B24
	68	B25
	69	C1
	70	C2
	71	C3
	72	E1
	73	E2
	74	E3
	75	E4
	76	E5
	77	E6
	78	E7
	79	E10
	80	E11
	81	E13
	82	E13-1
	83	E13-2
	84	E13-3
	85	E13-4
	86	E13-5
	87	E13-6
	88	E13-7
	89	E13-8
	90	E13-9
	91	E13-10
	92	E13-11
	93	E13-12
	94	E13-13
	95	E14
	96	E19
	97	E20
	98	E21
	99	E22
	100	E23
	101	E24
	102	E25
	103	E26-1
	104	E26-2
	105	E26-3
	106	E26-4
	107	E27
	108	E30
	109	E31
	110	E32
	111	E33
	112	E34
	113	E35
	114	E36
	115	E37
	116	E38
	117	E39
	118	E40
	119	E41
	120	E42
	121	E43
	122	F1
	123	F2
	124	F3
	125	F4
	126	F5
	127	F6
	128	F7
	129	F8
	130	F9
	131	F10
	132	F11
	133	F12
	134	F13
	135	F14
	136	F15
	137	F16
	138	F17
	139	F20
	140	F21
	141	F22
	142	F23
	143	F24
	144	F25
	145	F26
	146	F27
	147	F34
	148	F35
	149	F36
	150	F37
	151	F38
	152	F39
	153	F40
	154	F41
	155	F42
	156	F43
	157	F44
	158	F45
	159	F46
	160	F47

4MXL36WVJU9

Ref. Part No:	Ref. Part No:	Description:	Description:	
Image 1:		Image 1:		
1	2433000	COMPRESSOR (M5)	58 1723546	FLARE NUT (M5)
2	2274364	RUBBER VIBRATION ISOLATOR ASSY. (M5)	59 119848J	FLARE NUT (M5)
3	2119809	COMPRESSOR MOUNTING BOLT (M5)	60 119849J	FLARE NUT (M5)
4	4010410	WASHER (NUT WITH WASHER) (M5)	61 119850J	FLARE NUT (M5)
5	2433017	RETAINER ASSY. (M5)	62 161975J	CUSHION RUBBER (M5)
6	2428527	RADIATION SHEET (M5)	63 2433233	ACCUMULATOR ASSY. (M5)
7	040139J	RUBBER BUSH/ LEAD WIRE (M5)	64 2433240	PUTTY (SUCTION PIPE) (M5)
8	2425597	TERMINAL COVER (M5)	65 1630613	CUSHION MATERIAL (M5)
9	2433024	SD INSUL (TOP) (M5)	66 2433257	THERMAL INSULATION TUBE (M5)
10	2547494	SD INSUL (SLEEVE) (M5)	67 2433264	THERMAL INSULATION TUBE (M5)
11	2433048	SD INSUL (INSIDE SLEEVE) (M5)	68 2433271	PROPELLER FAN (M5)
12	2433055	HEAT EXCHANGER ASSY. (M5)	69 1249699	WASHER (M5)
13	NA	PUTTY (HEAT EXCHANGER) (M5)	70 847003J	LOCK NUT/ FAN (M5)
14	NA	FOUR WAY VALVE ASSY. (M5)	71 2433288	DISCHARGE GRILLE ASSY. (M5)
15	1858062	BODY/ FOUR WAY VALVE (M5)	72 2433295	EL. COMPO. MOUNTING PLATE (M5)
16	NA	DISCHARGE PIPE ASSY. (M5)	73 2547957	PRT CIR BD ASSY (M5)
17	2433079	MUFFLER (M5)	74 109994J	SUPPORTING BUSH (M5)
18	2534983	HIGH PRESSURE SWITCH (M5)	75 094708J	EDGE SADDLE (M5)
19	2540629	PUTTY (HEAT RESISTANT) (M5)	76 2433327	EARTH WIRE (M5)
20	NA	CONNECTION PIPE (4V-ACC) ASSY. (M5)	77 2433334	EARTH WIRE (M5)
21	1721122	FUSIBLE PLUG (M5)	78 2433341	WIRE HARNESS ASSY. (POWER) (M5)
22	NA	SUCTION PIPE (M5)	79 NA	GROUNDING TERMINAL (M5)
23	2433086	STP VAL MT PLATE (M5)	80 NA	TAPPING SCREW (M5)
24	2433093	STP VAL MT PLATE (UPPER) (M5)	81 2547377	MOUNTING PLATE (TERMINAL STRIP) (M5)
25	2433101	HEADER ASSY. (LIQUID) (M5)	82 2433365	MOUNTING PLATE (TERMINAL BLOCK) (M5)
26	2374738	ELECTRONIC EXP. VALVE ASSY. (M5)	83 2425751	TERMINAL BLOCK (M5)
27	4020081	BD/ELEC EXP. VALVE (M5)	84 2371498	TERMINAL BLOCK (M5)
28	060321J	UNION JOINT (M5)	85 1786749	WASHER (FOR EARTH) (M5)
29	131823J	STRAINER (FOR REF.) (M5)	86 NA	DOUBLE WASHER MACHINE SCREW (M5)
30	2433118	LIQUID STOP VALVE ASSY. (M5)	87 071124J	CUPPLING WASHER (M5)
31	008529J	STRAINER (FOR REF.) (M5)	88 106957J	PAN HEAD MACHINE SCREW (M5)
32	1303896	FIXTURE/ THERMISTOR (M5)	89 6025165	PRT CIR BD ASSY (SERVICE) (M5)
33	2433125	THERMISTOR ASSY. (LIQ) (M5)	90 1728464	SPACER (PCB) (M5)
34	2255666	LIQUID RECEIVER (M5)	91 2115472	SPACER (PCB) (M5)
35	2433132	PIPING FIXTURE (M5)	92 NA	TAPPING SCREW (M5)
36	4020237	PUTTY (M5)	93 NA	PAN HEAD MACHINE SCREW (M4) (M5)
37	NA	PUTTY (LIQUID HEADER) (M5)	94 2547378	INDICATION LABEL (TERMINAL) (M5)
38	4020240	PUTTY (EV) (M5)	95 6026826	COVER (M5)
39	2433149	THERMAL INSULATION TUBE (M5)	96 2433389	SWITCH COVER (M5)
40	2433156	HEADER ASSY. (GAS) (M5)	97 2433396	THERMISTOR ASSY. (M5)
41	2433170	THERMISTOR ASSY. (GAS) (M5)	98 2433404	WIRE HARNESS ASSY. (M5)
42	380120J	FITTING SPRING/ THERMISTOR (M5)	99 2433411	DRIP PROOF PLATE (FRONT) (M5)
43	2433163	GAS STOP VALVE ASSY. (SUB) (M5)	100 2433428	DRIP PROOF PLATE (RIGHT) (M5)
44	2433187	SINGLE UNION JOINT ASSY. (M5)	101 2433435	4-WAY VALVE COIL ASSY. (M5)
45	2433194	SINGLE UNION JOINT ASSY. (M5)	102 2433442	WIRE HARNESS (FOR COMP.) (M5)
46	2433202	SINGLE UNION JOINT ASSY. (M5)	103 2547381	COIL/ EL. EXPANSION VALVE ASSY. (M5)
47	2433219	MUFFLER (M5)	104 2433459	COIL/ EL. EXPANSION VALVE (M5)
48	2547383	RETAINER/ UNION JOINT (M5)	105 2433466	COIL/ EL. EXPANSION VALVE (M5)
49	2547384	RETAINER/ UNION JOINT (M5)	106 2433473	COIL/ EL. EXPANSION VALVE (M5)
50	2547385	RETAINER/ UNION JOINT (M5)	107 2433480	COIL/ EL. EXPANSION VALVE (M5)
51	084233J	RETAINER/ UNION JOINT (M5)	108 2433497	COIL/ EL. EXP. VALVE ASSY. (BYPASS) (M5)
52	2433226	ELECTRONIC EXP. VALVE ASSY. (M5)	109 2433505	DC FAN MOTOR ASSY. (M5)
53	4020081	BD/ELEC EXP. VALVE (M5)	110 NA	PAN HEAD MACHINE SCREW (M4) (M5)
54	NA	CAPILLARY TUBE (BYPASS) (M5)	111 2079110	INSULATING SUPPORT (M5)
55	111167J	STRAINER (M5)	112 NA	TAPPING SCREW (M5)
56	2158703	VALVE CAP (M5)	113 2433512	WIRING PROTECTION BUSH (EDGING) (M5)
57	2159232	VALVE CAP (M5)	114 2433529	WIRING PROTECTION BUSH (EDGING) (M5)

4MXL36WVJU9

Ref. Part No:	Part No:	Description:	Ref. Part No:	Part No:	Description:
---------------	----------	--------------	---------------	----------	--------------

Image 1:

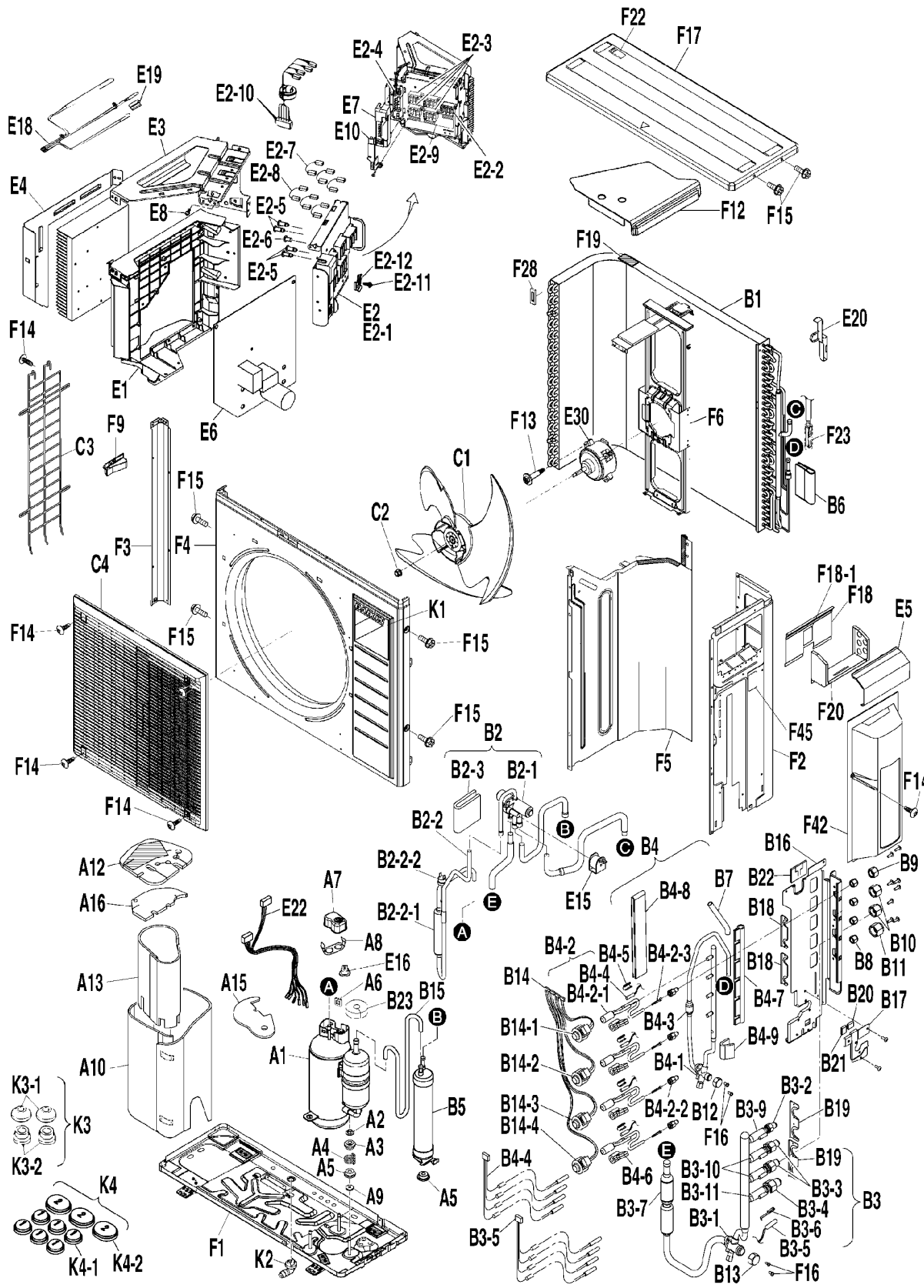
115	170852J	WIRE HARNESS (TERMINAL BLOCK) (M5)
116	1708530	WIRE HARNESS (TERMINAL BLOCK) (M5)
117	2433536	WIRE HARNESS ASSY. (SERVICE PCB) (M5)
118	2547379	WIRE HARNESS (PCB-OL CONNECTION) (M5)
119	027843J	WIRE CLIP (M5)
120	0980106	HARNESS LIFTER (M5)
121	2547380	INDICATION LABEL (SERVICE PCB) (M5)
122	NA	INDICATION LABEL (SWITCH COVER) (M5)
123	2433567	BOTTOM FRAME ASSY. (M5)
124	2433574	FRONT PLATE (1) (M5)
125	2433581	FRONT PLATE (2) (M5)
126	2433598	SIDE PLATE (RIGHT) (M5)
127	2433606	PARTITION PLATE ASSY. (M5)
128	2545355	FAN MOTOR STAND ASSY. (M5)
129	2433620	PARTITION PLATE ASSY. (2) (M5)
130	2433637	REAR PLATE ASSY. (M5)
131	092045J	HANDLE (M5)
132	2433644	HANDLE (LEFT) (M5)
133	2120405	HEX TAPPING SCREW (3) (M5)
134	131453J	TRUSS HEAD TAPPING SCREW (M5)
135	NA	HEX HEAD TAPPING SCREW (M5)
136	NA	PAN HEAD TAPPING SCREW (M5)
137	2433651	TOP PLATE ASSY. (M5)
138	157132J	THERMISTOR FIXING PLATE (M5)
139	380120J	FITTING SPRING/ THERMISTOR (M5)
140	042396J	FITTING SPRING/ THERMISTOR (M5)
141	2433668	CUSHION MATERIAL (HEAT EXCHANGER) (M5)
142	2433675	CUSHION MATERIAL (HEAT EXCHANGER 2) (M5)
143	2433682	INSTALLATION LEG (M5)
144	2546566	CAUTION LABEL (SUPERCARGO CAUTION) (M5)
145	NA	CAUTION LABEL (ELECTRIC SHOCK) (M5)
146	6024610	COVER/ JACKET (M5)
147	4016867	HEX BOLT (M5)
148	067891J	BRAND NAME LABEL (M5)
149	NA	ACCESSORY SET (DRAIN SOCKET) (M5)
150	2433699	DRAIN SOCKET (M5)
151	2433707	DRAIN JOINT (M5)
152	2433714	CAP (DRAIN) (M5)
153	NA	REDUCER ASSY. (M5)
154	257553J	GASKET/ REDUCING JOINT (M5)
155	257712J	GASKET/ REDUCING JOINT (M5)
156	257555J	GASKET/ REDUCING JOINT (M5)
157	257709J	GASKET/ REDUCING JOINT (M5)
158	257503J	REDUCING JOINT (M5)
159	257511	FLARE GASKET (M5)
160	119848J	FLARE NUT (M5)

Expanded Model Nomenclature

M1 - 2MXL18WMVJU9
M2 - 2MXS18WMVJU9
M3 - 3MXL24WMVJU9
M4 - 3MXS24WMVJU9
M5 - 4MXL36WVJU9
M6 - 4MXS36WMVJU9
M7 - 5MXS48WVJU9

4MXS36WMVJU9

4MXS36WMVJU9



Picture Key	
Ref #	Picture #
1	A1
2	A2
3	A3
4	A4
5	A5
6	A6
7	A7
8	A8
9	A9
10	A10
11	A11
12	A12
13	A13
14	A15
15	A16
16	B1
17	B2
18	B2-1
19	B2-2
20	B2-2-1
21	B2-2-2
22	B3
23	B3-1
24	B3-2
25	B3-3
26	B3-4
27	B3-5
28	B3-6
29	B3-7
30	B3-9
31	B3-10
32	B3-11
33	B4
34	B4-1
35	B4-2
36	B4-2-1
37	B4-2-2
38	B4-2-3
39	B4-3
40	B4-4
41	B4-5
42	B4-6
43	B4-7
44	B4-8
45	B4-9
46	B5
47	B6
48	B7
49	B8
50	B9
51	B10
52	B11
53	B12
54	B13
55	B14
56	B14-1
57	B14-2
58	B14-3
59	B14-4
60	B15
61	B16
62	B17
63	B18
64	B19
65	B20
66	B21
67	B22
68	B23
69	C1
70	C2
71	C3
72	C4
73	E1
74	E2
75	E2-1
76	E2-2
77	E2-3
78	E2-4
79	E2-5
80	E2-6
81	E2-7
82	E2-8
83	E2-9
84	E2-10
85	E2-11
86	E2-12
87	E3
88	E4
89	E5
90	E6
91	E7
92	E8
93	E9
94	E10
95	E11
96	E12
97	E13
98	E14
99	E15
100	E16
101	F1
102	F2
103	F3
104	F4
105	F5
106	F6
107	F7
108	F8
109	F9
110	F10
111	F11
112	F12
113	F13
114	F14
115	F15
116	F16
117	F17
118	F18
119	F19
120	F20
121	F21
122	F22
123	F23
124	F24
125	F25
126	F26
127	F27
128	F28
129	F29
130	F30
131	F31
132	F32
133	K1
134	K2
135	K3
136	K4

4MXS36WMVJU9

Ref. Part No:	Ref. Part No:	Description:	Description:		
Image 1:		Image 1:			
1	4025758	COMPRESSOR (M6)	58	2254067	COIL/ELEC EXP. VALVE (M6)
2	4010410	WASHER (NUT WITH WASHER) (M6)	59	2254074	COIL/ELEC EXP. VALVE (M6)
3	096039J	SPRING HOLDER (1) (M6)	60	NA	SUCTION PIPE ASSY. (M6)
4	390208J	MOUNTING SPRING (M6)	61	6025204	STP VAL MT PLATE (1) (M6)
5	390215J	SPRING HOLDER (2) (M6)	62	2255527	STP VAL MT PLATE (2) (M6)
6	040139J	RUBBER BUSH/ LEAD WIRE (M6)	63	2255541	SINGLE UNION FIXTURE (LIQUID) (M6)
7	2425597	TERMINAL COVER (M6)	64	2255589	SINGLE UNION FIXTURE (GAS) (M6)
8	380620J	RT/OVL PROTECTOR (M6)	65	2255642	SEALING MATERIAL (M6)
9	2255402	PLAIN WASHER (COMP.) (M6)	66	2255628	SEALING MATERIAL (M6)
10	6025146	SD INSUL (OUTER BODY) (M6)	67	2255635	CUSHION RUBBER (M6)
11	6025147	SD INSUL (TOP) ASSY. (M6)	68	112853J	VIBRATION ISOLATOR PUTTY (M6)
12	2255433	SD INSUL (M6)	69	4016827	PROPELLER FAN ASSY. (M6)
13	6025183	SD INSUL (INNER TOP) (M6)	70	847003J	LOCK NUT/ FAN (M6)
14	2546684	SD INSUL (MIDDLE TOP) (M6)	71	6025762	PROTECTION NET (LEFT SIDE) (M6)
15	2499480	HEAT EXCHANGER ASSY. (M6)	72	6024941	DISCHARGE GRILLE ASSY. (M6)
16	NA	FOUR WAY VALVE ASSY. (M6)	73	2546555	EL.COMPO.MOUNTING PLATE (M6)
17	2455992	BODY/ FOUR WAY VALVE (M6)	74	NA	MT PLT TERM STRIP (M6)
18	NA	DISCHARGE PIPE ASSY. (M6)	75	2546717	MOUNTING PLATE (TERMINAL STRIP (M6)
19	161839J	MUFFLER (M6)	76	2531225	TERMINAL STRIP (M6)
20	2534983	HIGH PRESSURE SWITCH (M6)	77	2531224	TERMINAL STRIP (M6)
21	2535547	PUTTY (HEAT RESISTANT) (M6)	78	6025165	PRT CIR BD ASSY (SERVICE) (M6)
22	NA	HEADER ASSY. (GAS) (M6)	79	1728464	SPACER (PCB) (M6)
23	6025188	GAS STOP VALVE ASSY. (M6)	80	2115472	SPACER (PCB) (M6)
24	257587J	UNION JOINT (M6)	81	170852J	WIRE HARNESS (TERMINAL BLOCK) (M6)
25	252012J	UNION JOINT (M6)	82	1708530	WIRE HARNESS (TERMINAL BLOCK) (M6)
26	257588J	UNION JOINT (M6)	83	2546718	INDICATION LABEL (TERMINAL) (M6)
27	6024016	THERMISTOR ASSY. (GAS) (M6)	84	2254098	WIRE HARNESS ASSY. (M6)
28	380120J	FITTING SPRING/ THERMISTOR (M6)	85	113783J	TAPPING SCREW (M6)
29	2547486	MUFFLER (M6)	86	1786749	WASHER (FOR EARTH) (M6)
30	6025189	MUFFLER (M6)	87	2255820	MOUNTING PLATE (TERMINAL STRIP 2) (M6)
31	6025190	MUFFLER (M6)	88	2255844	RADIATION SHIELD PLATE (M6)
32	6025201	MUFFLER (M6)	89	2546563	TERMINAL STRIP COVER ASSY. (M6)
33	NA	HEADER ASSY. (LIQUID) (M6)	90	2546814	PRT CIR BD ASSY (MAIN) (M6)
34	6024032	STOP VALVE ASSY. (M6)	91	2546559	COVER ASSY. (SERVICE PCB) (M6)
35	6025156	BD/ELEC EXP VAL ASSY (M6)	92	NA	DOUBLE WASHER MACHINE SCREW (M6)
36	2143516	BD/ELEC EXP. VALVE (M6)	93	2546560	SWITCH COVER ASSY (M6)
37	060321J	UNION JOINT (M6)	94	6024028	COIL/ FOUR WAY VALVE ASSY. (M6)
38	131823J	STRAINER (FOR REF.) (M6)	95	622418J	OVERLOAD PROTECTOR (M6)
39	2255457	MUFFLER (M6)	96	6024012	THERMISTOR ASSY. (M6)
40	6024019	THERMISTOR ASSY. (M6)	97	6005471	FIXTURE/ THERMISTOR (M6)
41	1303896	FIXTURE/ THERMISTOR (M6)	98	128511J	FIXTURE/ THERMISTOR (M6)
42	6025157	PUTTY (M6)	99	2546561	WIRE HARNESS ASSY. (COMP.) (M6)
43	6025158	PUTTY (M6)	100	6024942	FAN MOTOR (M6)
44	6025203	PUTTY (LIQUID HEADER) (M6)	101	2504926	BOTTOM FRAME ASSY. (M6)
45	139706J	PUTTY (M6)	102	2505570	SIDE PLATE ASSY. (RIGHT) (M6)
46	2505563	GAS LQ SEP ASSY. (M6)	103	2535570	LEFT SIDE PLATE (M6)
47	2255729	PUTTY (M6)	104	2546565	FRONT PLATE (M6)
48	2255736	THERMAL INSULATION TUBE (M6)	105	2504957	PARTITION PLATE ASSY. (M6)
49	1723546	FLARE NUT (M6)	106	2546562	FAN MOTOR STAND ASSY. (M6)
50	119848J	FLARE NUT (M6)	107	6022835	HANDLE (M6)
51	119849J	FLARE NUT (M6)	108	6025178	DRIP PROOF COVER ASSY. (M6)
52	119850J	FLARE NUT (M6)	109	140380J	WASHER FACED HEAD TAPPING SCREW (M6)
53	2158703	VALVE CAP (M6)	110	008203J	TRUSS HEAD TAPPING SCREW (M6)
54	2159232	VALVE CAP (M6)	111	109224J	HEX HEAD TAPPING SCREW (M6)
55	NA	COIL/ELEC EXP. VALVE ASSY. (M6)	112	048017J	PAN HEAD TAPPING SCREW (M6)
56	2254043	COIL/ELEC EXP. VALVE (M6)	113	2534996	TOP PLATE (M6)
57	2254050	COIL/ELEC EXP. VALVE (M6)	114	2547455	DRIP PROOF PLATE (M6)

4MXS36WMVJU9

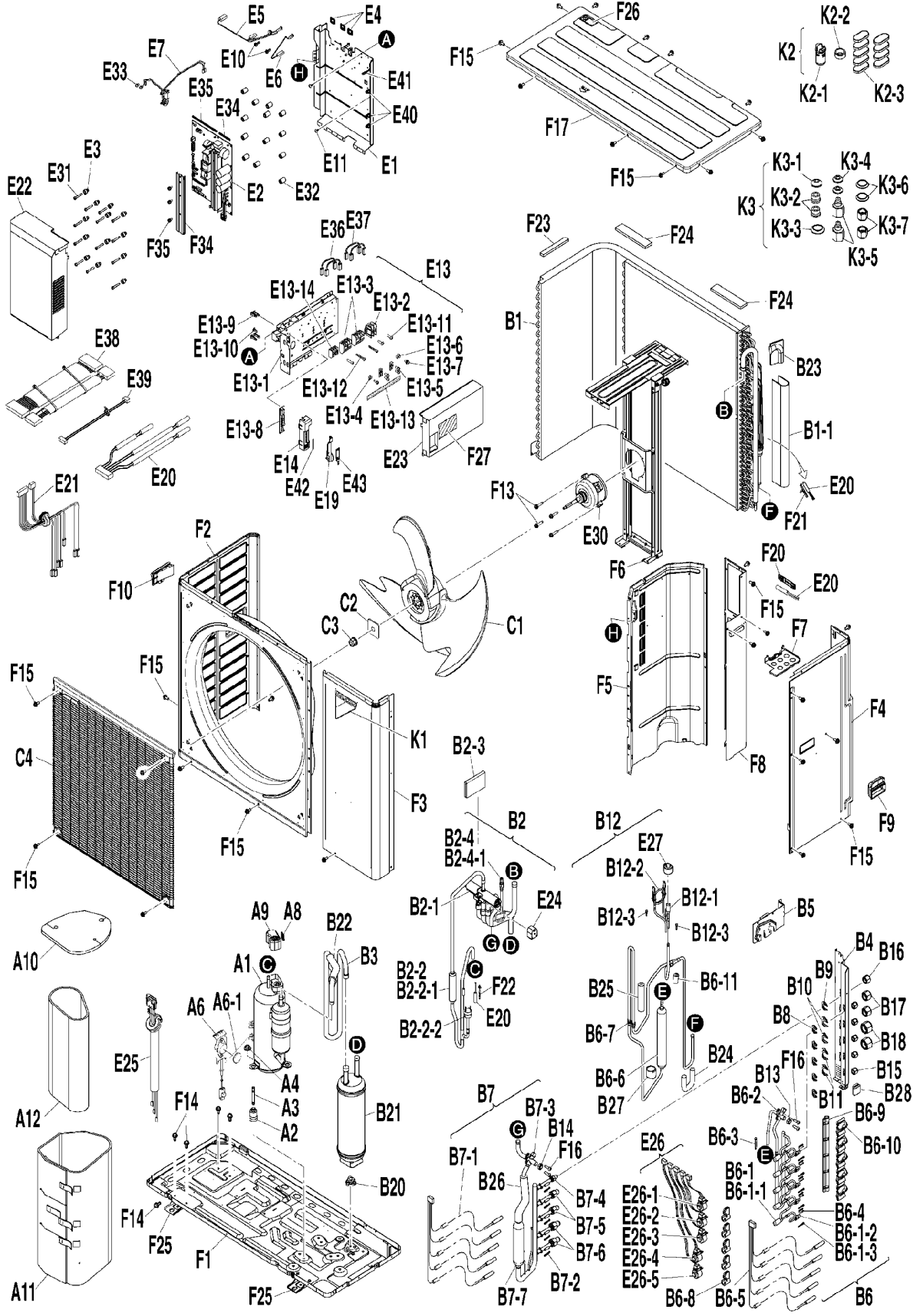
Ref. Part No:	No:	Description:	Ref. Part No:	No:	Description:
Image 1:					
115	NA	CAUTION LABEL (ELECTRIC SHOCK) (M6)			
116	6026829	SEALING MATERIAL (HEAT EXCH. TOP) (M6)			
117	2546564	CONDUIT MOUNTING PLATE ASSY. (M6)			
118	2546566	CAUTION LABEL (SUPERCARGO CAUTION) (M6)			
119	380120J	FITTING SPRING/ THERMISTOR (M6)			
120	1708756	SEALING MATERIAL (M6)			
121	6024004	COVER/ STOP VALVE (M6)			
122	NA	CAUTION LABEL (BURN) (M6)			
123	6025256	BRAND NAME LABEL (M6)			
124	058956J	DRAIN JOINT (M6)			
125	NA	REDUCER ASSY. (M6)			
126	257553J	GASKET/ REDUCING JOINT (M6)			
127	257712J	GASKET/ REDUCING JOINT (M6)			
128	257555J	GASKET/ REDUCING JOINT (M6)			
129	257709J	GASKET/ REDUCING JOINT (M6)			
130	257503J	REDUCING JOINT (M6)			
131	257511	FLARE GASKET (M6)			
132	119848J	FLARE NUT (M6)			
133	NA	ACCESSORY SET (M6)			
134	2253709	CAP 1 (DRAIN) (M6)			
135	2253716	CAP 2 (DRAIN) (M6)			

Expanded Model Nomenclature

- M1 - 2MXL18WMVJU9
- M2 - 2MXS18WMVJU9
- M3 - 3MXL24WMVJU9
- M4 - 3MXS24WMVJU9
- M5 - 4MXL36WVJU9
- M6 - 4MXS36WMVJU9
- M7 - 5MXS48WVJU9

5MXS48WVJU9

5MXS48WVJU9



Picture Key	
Ref #	Picture #
1	A1
2	A2
3	A3
4	A4
5	A6
6	A6-1
7	A8
8	A9
9	A10
10	A11
11	A12
12	B1
13	B1-1
14	B2
15	B2-1
16	B2-2
17	B2-2-1
18	B2-2-2
19	B2-3
20	B2-4
21	B2-4-1
22	B3
23	B4
24	B5
25	B6
26	B6-1
27	B6-1-1
28	B6-1-2
29	B6-1-3
30	B6-2
31	B6-3
32	B6-4
33	B6-5
34	B6-6
35	B6-7
36	B6-8
37	B6-9
38	B6-10
39	B6-11
40	B7
41	B7-1
42	B7-2
43	B7-3
44	B7-4
45	B7-5
46	B7-6
47	B7-7
48	B8
49	B9
50	B10
51	B11
52	B12
53	B12-1
54	B12-2
55	B12-3
56	B13
57	B14
58	B15
59	B16
60	B17
61	B18
62	B19
63	B20
64	B21
65	B22
66	B23
67	B24
68	B25
69	B26
70	B27
71	B28
72	C1
73	C2
74	C3
75	C4
76	E1
77	E2
78	E3
79	E4
80	E5
81	E6
82	E7
83	E8
84	E9
85	E10
86	E11
87	E12
88	E13
89	E13-1
90	E13-2
91	E13-3
92	E13-4
93	E13-5
94	E13-6
95	E13-7
96	E13-8
97	E13-9
98	E13-10
99	E13-11
100	E13-12
101	E13-13
102	E13-14
103	E14
104	E15
105	E16
106	E17
107	E18
108	E19
109	E20
110	E21
111	E22
112	E23
113	E24
114	E25
115	E26
116	E26-1
117	E26-2
118	E26-3
119	E26-4
120	E26-5
121	E27
122	E28
123	E29
124	E30
125	E31
126	E32
127	E33
128	E34
129	E35
130	E36
131	E37
132	E38
133	E39
134	F1
135	F2
136	F3
137	F4
138	F5
139	F6
140	F7
141	F8
142	F9
143	F10
144	F11
145	F12
146	F13
147	F14
148	F15
149	F16
150	F17
151	F18
152	F19
153	F20
154	F21
155	F22
156	F23
157	F24
158	F25
159	F26
160	F27
161	F28
162	F29
163	F30
164	F31
165	F32
166	F33
167	F34
168	F35
169	F36
170	K1
171	K2
172	K2-1
173	K2-2
174	K2-3
175	K3
176	K3-1
177	K3-2
178	K3-3
179	K3-4
180	K3-5
181	K3-6
182	K3-7

5MXS48WVJU9

Ref. Part No:	Part No:	Description:	Ref. Part No:	Part No:	Description:
<i>Image 1:</i>			<i>Image 1:</i>		
1	2433000	COMPRESSOR (M7)	58	1723546	FLARE NUT (M7)
2	2274364	RUBBER VIBRATION ISOLATOR ASSY. (M7)	59	119848J	FLARE NUT (M7)
3	2119809	COMPRESSOR MOUNTING BOLT (M7)	60	119849J	FLARE NUT (M7)
4	4010410	WASHER (NUT WITH WASHER) (M7)	61	119850J	FLARE NUT (M7)
5	2433017	RETAINER ASSY. (M7)	62	161975J	CUSHION RUBBER (M7)
6	2428527	RADIATION SHEET (M7)	63	2433233	ACCUMULATOR ASSY. (M7)
7	040139J	RUBBER BUSH/ LEAD WIRE (M7)	64	2433240	PUTTY (SUCTION PIPE) (M7)
8	2425597	TERMINAL COVER (M7)	65	1630613	CUSHION MATERIAL (M7)
9	2433024	SD INSUL (TOP) (M7)	66	2433257	THERMAL INSULATION TUBE (M7)
10	2547494	SD INSUL (SLEEVE) (M7)	67	2433264	THERMAL INSULATION TUBE (M7)
11	2433048	SD INSUL (INSIDE SLEEVE) (M7)	68	2547648	THERMAL INSULATION TUBE (M7)
12	2433055	HEAT EXCHANGER ASSY. (M7)	69	2547649	CUSHION MATERIAL (M7)
13	NA	PUTTY (HEAT EXCHANGER) (M7)	70	2547650	CUSHION MATERIAL (2) (M7)
14	NA	FOUR WAY VALVE ASSY. (M7)	71	2433271	PROPELLER FAN (M7)
15	1858062	BODY/ FOUR WAY VALVE (M7)	72	1249699	WASHER (M7)
16	2547382	DISCHARGE PIPE ASSY. (M7)	73	847003J	LOCK NUT/ FAN (M7)
17	2433079	MUFFLER (M7)	74	2433288	DISCHARGE GRILLE ASSY. (M7)
18	2534983	HIGH PRESSURE SWITCH (M7)	75	2433295	EL. COMPO. MOUNTING PLATE (M7)
19	2540629	PUTTY (HEAT RESISTANT) (M7)	76	2547959	PRT CIR BD ASSY (M7)
20	NA	CONNECTION PIPE (4V-ACC) ASSY. (M7)	77	109994J	SUPPORTING BUSH (M7)
21	1721122	FUSIBLE PLUG (M7)	78	094708J	EDGE SADDLE (M7)
22	NA	SUCTION PIPE (M7)	79	2433327	EARTH WIRE (M7)
23	2433721	STP VAL MT PLATE (M7)	80	2433334	EARTH WIRE (M7)
24	2433093	STP VAL MT PLATE (UPPER) (M7)	81	2433341	WIRE HARNESS ASSY. (POWER) (M7)
25	2433738	HEADER ASSY. (LIQUID) (M7)	82	NA	GROUNDING TERMINAL (M7)
26	2374738	ELECTRONIC EXP. VALVE ASSY. (M7)	83	NA	TAPPING SCREW (M7)
27	4020081	BD/ELEC EXP. VALVE (M7)	84	2547386	MOUNTING PLATE(TERMINAL STRIP) (M7)
28	060321J	UNION JOINT (M7)	85	2433365	MOUNTING PLATE (TERMINAL BLOCK) (M7)
29	131823J	STRAINER (FOR REF.) (M7)	86	2425751	TERMINAL BLOCK (M7)
30	2433118	LIQUID STOP VALVE ASSY. (M7)	87	2371498	TERMINAL BLOCK (M7)
31	008529J	STRAINER (FOR REF.) (M7)	88	1786749	WASHER (FOR EARTH) (M7)
32	1303896	FIXTURE/ THERMISTOR (M7)	89	NA	DOUBLE WASHER MACHINE SCREW (M7)
33	2433745	THERMISTOR ASSY. (LIQ) (M7)	90	071124J	CUPLING WASHER (M7)
34	2255666	LIQUID RECEIVER (M7)	91	106957J	PAN HEAD MACHINE SCREW (M7)
35	2433132	PIPING FIXTURE (M7)	92	6025165	PRT CIR BD ASSY (SERVICE) (M7)
36	4020237	PUTTY (M7)	93	1728464	SPACER (PCB) (M7)
37	2547647	PUTTY (LIQUID HEADER) (M7)	94	2115472	SPACER (PCB) (M7)
38	4020240	PUTTY (EV) (M7)	95	NA	TAPPING SCREW (M7)
39	2433149	THERMAL INSULATION TUBE (M7)	96	NA	PAN HEAD MACHINE SCREW (M4) (M7)
40	2433752	HEADER ASSY. (GAS) (M7)	97	2547387	INDICATION LABEL (TERMINAL) (M7)
41	2433776	THERMISTOR ASSY. (GAS) (M7)	98	4018105	TERMINAL BLOCK (M7)
42	380120J	FITTING SPRING/ THERMISTOR (M7)	99	6026826	COVER (M7)
43	2433163	GAS STOP VALVE ASSY. (SUB) (M7)	100	2433389	SWITCH COVER (M7)
44	2433187	SINGLE UNION JOINT ASSY. (M7)	101	2433396	THERMISTOR ASSY. (M7)
45	2433194	SINGLE UNION JOINT ASSY. (M7)	102	2433815	WIRE HARNESS ASSY. (M7)
46	2433202	SINGLE UNION JOINT ASSY. (M7)	103	2433411	DRIP PROOF PLATE (FRONT) (M7)
47	2433219	MUFFLER (M7)	104	2433428	DRIP PROOF PLATE (RIGHT) (M7)
48	2547383	RETAINER/ UNION JOINT (M7)	105	2433435	4-WAY VALVE COIL ASSY. (M7)
49	2547384	RETAINER/ UNION JOINT (M7)	106	2433442	WIRE HARNESS (FOR COMP.) (M7)
50	2547385	RETAINER/ UNION JOINT (M7)	107	4023592	EL. EXPANSION VALVE ASSY. (M7)
51	084233J	RETAINER/ UNION JOINT (M7)	108	2433459	COIL/ EL. EXPANSION VALVE (M7)
52	2433226	ELECTRONIC EXP. VALVE ASSY. (M7)	109	2433466	COIL/ EL. EXPANSION VALVE (M7)
53	4020081	BD/ELEC EXP. VALVE (M7)	110	2433473	COIL/ EL. EXPANSION VALVE (M7)
54	NA	CAPILLARY TUBE (BYPASS) (M7)	111	2433480	COIL/ EL. EXPANSION VALVE (M7)
55	111167J	STRAINER (M7)	112	2433822	COIL/ EL. EXPANSION VALVE (M7)
56	2158703	VALVE CAP (M7)	113	2433497	COIL/ EL. EXP. VALVE ASSY. (BYPASS) (M7)
57	2159232	VALVE CAP (M7)	114	2433505	DC FAN MOTOR ASSY. (M7)

5MXS48WVJU9

Ref. Part No:	Ref. Part No:	Description:	Description:
Image 1:		Expanded Model Nomenclature	
115	NA	PAN HEAD MACHINE SCREW (M4) (M7)	M1 - 2MXL18WMVJU9
116	2079110	INSULATING SUPPORT (M7)	M2 - 2MXS18WMVJU9
117	NA	TAPPING SCREW (M7)	M3 - 3MXL24WMVJU9
118	2433512	WIRING PROTECTION BUSH (EDGING) (M7)	M4 - 3MXS24WMVJU9
119	2433529	WIRING PROTECTION BUSH (EDGING) (M7)	M5 - 4MXL36WVJU9
120	170852J	WIRE HARNESS (TERMINAL BLOCK) (M7)	M6 - 4MXS36WMVJU9
121	1708530	WIRE HARNESS (TERMINAL BLOCK) (M7)	M7 - 5MXS48WVJU9
122	2433536	WIRE HARNESS ASSY. (SERVICE PCB) (M7)	
123	2547379	WIRE HARNESS (PCB-OL CONNECTION) (M7)	
124	027843J	WIRE CLIP (M7)	
125	0980106	HARNESS LIFTER (M7)	
126	2547380	INDICATION LABEL (SERVICE PCB) (M7)	
127	NA	INDICATION LABEL (SWITCH COVER) (M7)	
128	2433567	BOTTOM FRAME ASSY. (M7)	
129	2433574	FRONT PLATE (1) (M7)	
130	2433581	FRONT PLATE (2) (M7)	
131	2433598	SIDE PLATE (RIGHT) (M7)	
132	2433606	PARTITION PLATE ASSY. (M7)	
133	2545355	FAN MOTOR STAND ASSY. (M7)	
134	2433620	PARTITION PLATE ASSY. (2) (M7)	
135	2433637	REAR PLATE ASSY. (M7)	
136	092045J	HANDLE (M7)	
137	2433644	HANDLE (LEFT) (M7)	
138	2120405	HEX. TAPPING SCREW (3) (M7)	
139	131453J	TRUSS HEAD TAPPING SCREW (M7)	
140	NA	HEX HEAD TAPPING SCREW (M7)	
141	NA	PAN HEAD TAPPING SCREW (M7)	
142	2433651	TOP PLATE ASSY. (M7)	
143	157132J	THERMISTOR FIXING PLATE (M7)	
144	380120J	FITTING SPRING/ THERMISTOR (M7)	
145	042396J	FITTING SPRING/ THERMISTOR (M7)	
146	2433668	CUSHION MATERIAL (HEAT EXCHANGER) (M7)	
147	2433675	CUSHION MATERIAL (HEAT EXCHANGER 2) (M7)	
148	2433682	INSTALLATION LEG (M7)	
149	2546566	CAUTION LABEL (SUPERCARGO CAUTION) (M7)	
150	NA	CAUTION LABEL (ELECTRIC SHOCK) (M7)	
151	6024610	COVER/ JACKET (M7)	
152	4016867	HEX. BOLT (M7)	
153	067891J	BRAND NAME LABEL (M7)	
154	NA	ACCESSORY SET (DRAIN SOCKET) (M7)	
155	2433699	DRAIN SOCKET (M7)	
156	2433707	DRAIN JOINT (M7)	
157	2433714	CAP (DRAIN) (M7)	
158	NA	REDUCER ASSY. (M7)	
159	257553J	GASKET/ REDUCING JOINT (M7)	
160	257712J	GASKET/ REDUCING JOINT (M7)	
161	257555J	GASKET/ REDUCING JOINT (M7)	
162	257709J	GASKET/ REDUCING JOINT (M7)	
163	257503J	REDUCING JOINT (M7)	
164	257511	FLARE GASKET (M7)	
165	119848J	FLARE NUT (M7)	