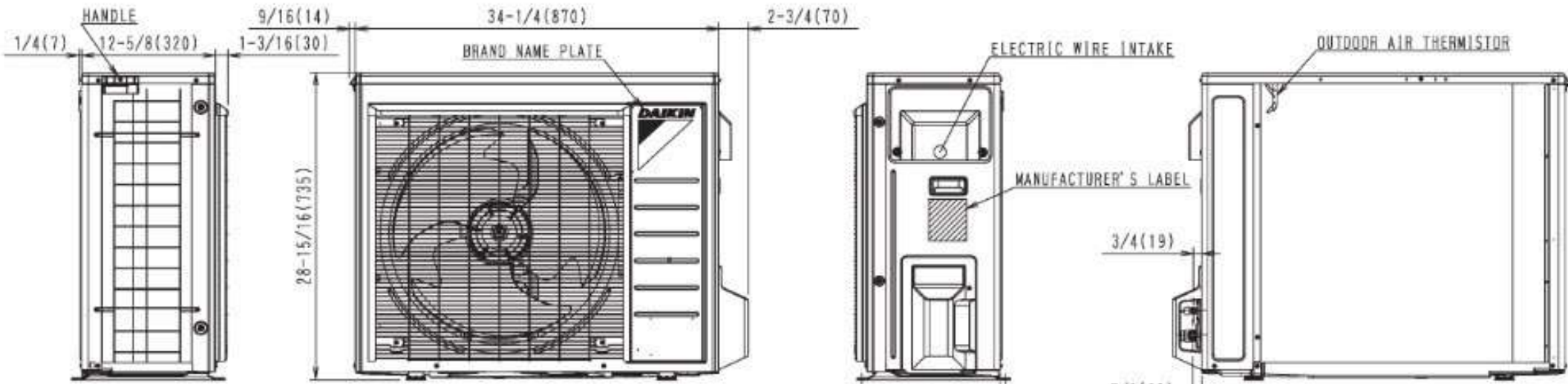
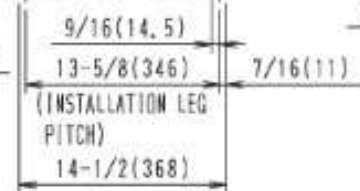
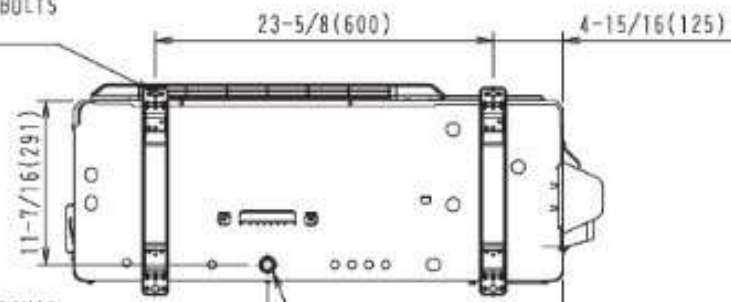


RXM18WVJU9



4-HOLES FOR FOUNDATION BOLTS (M8 OR M10)



MINIMUM SPACE FOR AIR PASSAGE

WALL HEIGHT ON AIR OUTLET SIDE = LESS THAN 47-1/4 (1200)

2-GROUND TERMINALS

LIQUID STOP VALVE (φ 1/4 (φ 6.4) CuT)
 GAS STOP VALVE (φ 1/2 (φ 12.7) CuT)

DRAIN OUTLET (I.D φ 5/8 (φ 15.9) HOSE FOR CONNECTION WITH DRAIN JOINT)

SERVICE PORT

