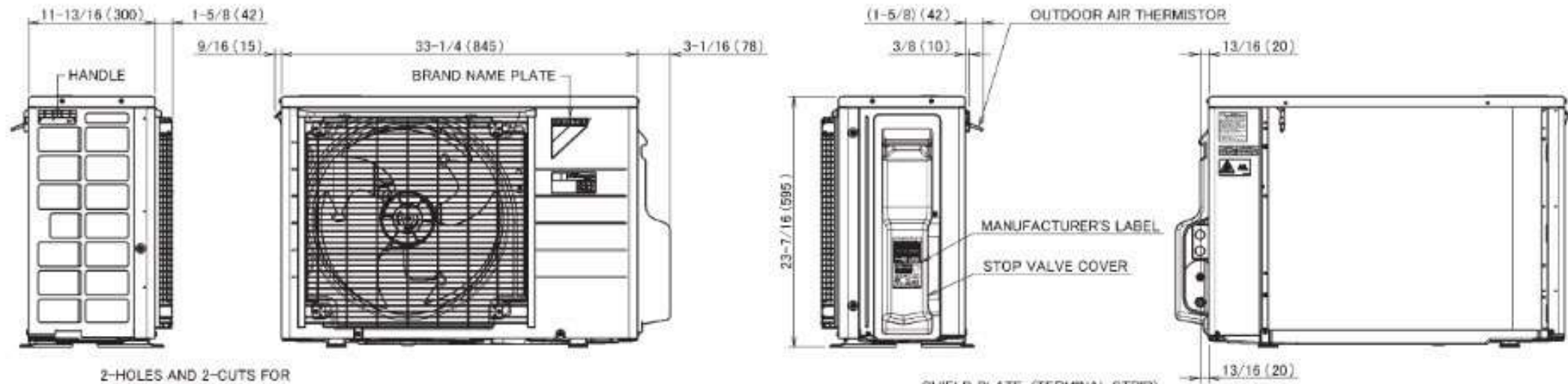
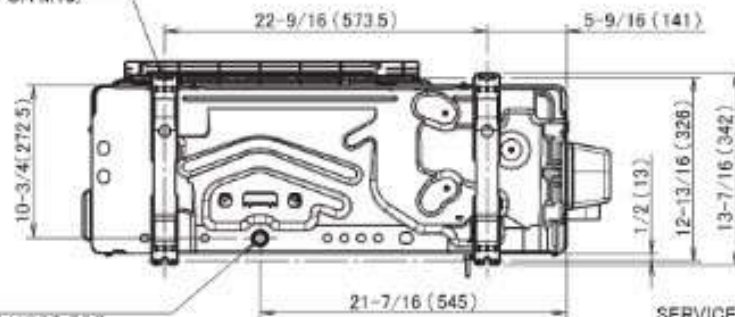


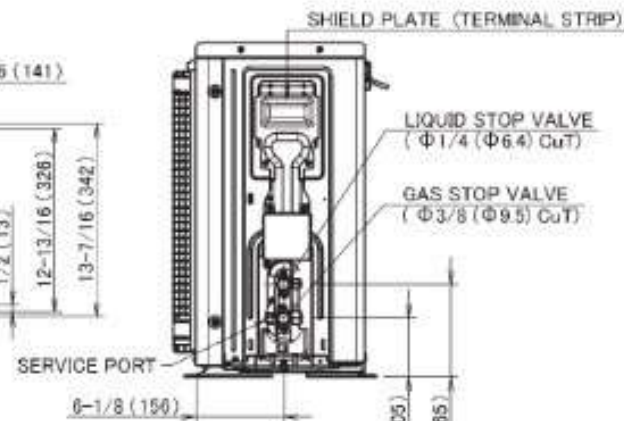
# RXM09/12WVJU9



2-HOLES AND 2-CUTS FOR FOUNDATION BOLTS  
5/16 OR 3/8 (M8 OR M10)

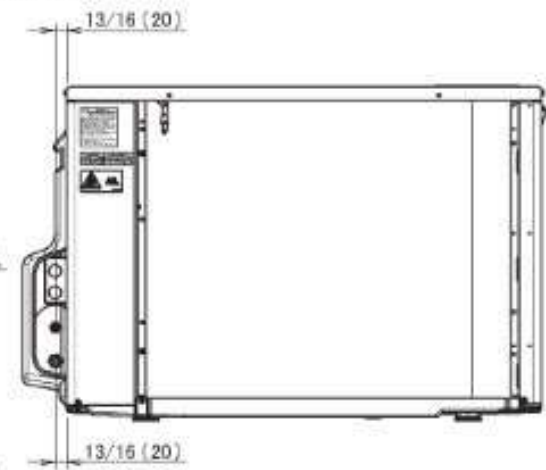


DRAIN OUTLET  
(I.D.  $\Phi$  5/8 ( $\Phi$  15.9)) HOSE FOR CONNECTION WITH DRAIN JOINT)



IN CASE OF REMOVING STOP VALVE COVER

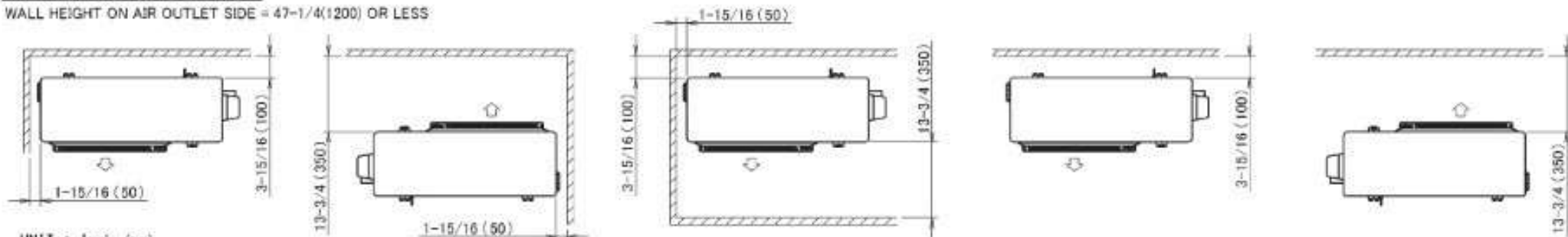
4-1/8 (105)  
6-1/2 (165)



IN CASE OF REMOVING STOP VALVE COVER AND SHIELD PLATE (TERMINAL STRIP)

## MINIMUM SPACE FOR AIR PASSAGE

WALL HEIGHT ON AIR OUTLET SIDE = 47-1/4 (1200) OR LESS



UNIT : Inch (mm)