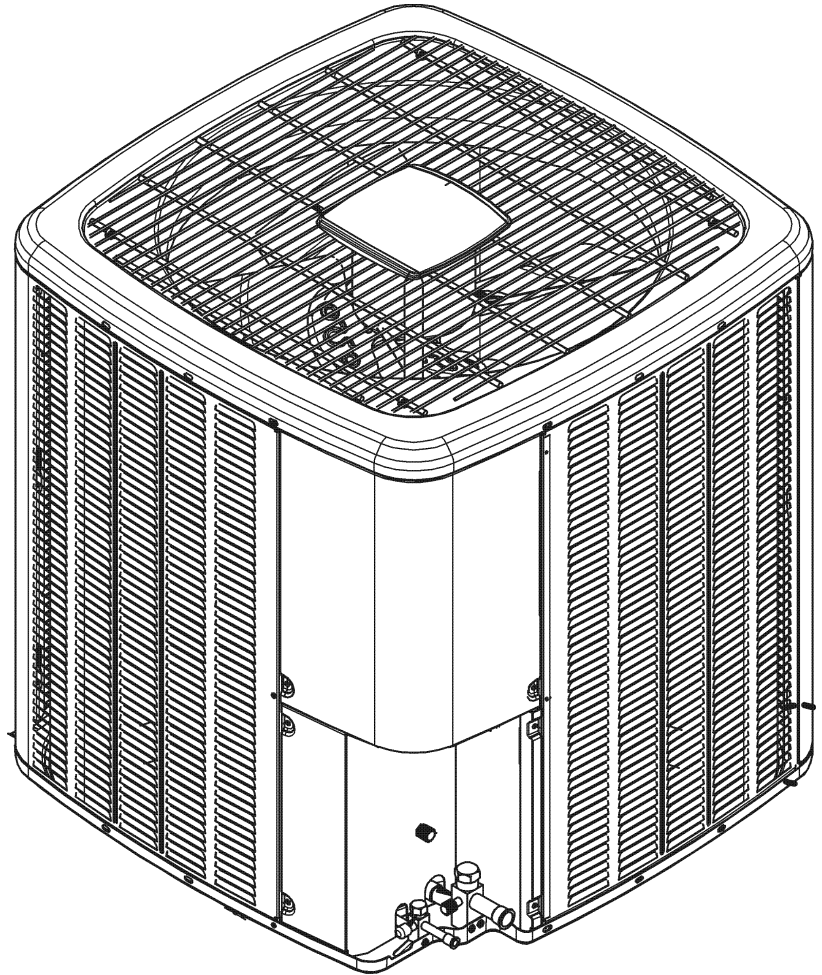


DZ14SA Remote Heat Pump

DZ14SA0181AA
DZ14SA0181AB
DZ14SA0181AC
DZ14SA0241AA
DZ14SA0241AB
DZ14SZ0241AC
DZ14SA0301AA
DZ14SA0301AB
DZ14SA0301AC
DZ14SA0361AA
DZ14SA0361AB
DZ14SA0361AC
DZ14SA0381AA
DZ14SA0381AB
DZ14SA0381AC
DZ14SA0421AA
DZ14SA0421AB
DZ14SA0421AC
DZ14SA0481AA
DZ14SA0481AC
DZ14SA0601AA
DZ14SA0601AB
DZ14SA0601AC



This manual is to be used by qualified technicians only.

This manual replaces RP-D4011B.

© 2013-2014 **DAIKIN MANUFACTURING COMPANY, L.P.** ♦ 5151 San Felipe St., Suite 500 ♦ Houston, TX 77056

Important Information

Index

Functional Parts List	3
Illustration and Parts	4 - 9

Views shown are for parts illustrations only, not servicing procedures

Rev C: Replacing SanHua Reversing Valves.

Text Codes:

AR - As Required

NA - Not Available

NS - Not Shown

00000000 - See Note

QTY - Quantity Example (QTY 3) (If Quantity not shown, Quantity = 1)

M - Model Example (M1) (If M Code not shown, then part is used on all Models)

Expanded Model Nomenclature:

Example M1 - Model#1 M2 - Model#2 M3 - Model#3

Daikin Manufacturing Company, L.P. is not responsible for personal injury or property damage resulting from improper service. Review all service information before beginning repairs.

Warranty service must be performed by an authorized technician, using authorized factory parts. If service is required after the warranty expires, Daikin Manufacturing Company, L.P. also recommends contacting an authorized technician and using authorized factory parts.

Daikin Manufacturing Company, L.P. reserves the right to discontinue, or change at any time, specifications or designs without notice or without incurring obligations.

For assistance within the U.S.A. contact:

Consumer Affairs Department
Daikin North America, LLC
7401 Security Way
Houston, Texas 77040
855-770-5678-Telephone
713-863-2382-Facsimile

For assistance outside the U.S.A. contact:

International Division
Daikin North America, LLC
7401 Security Way
Houston, Texas 77040
713-861-2500-Telephone
713-863-2382-Facsimile

Functional Parts

Part

No: **Description:**

B12825171	3/8" SERVICE VALVE
CAP050450440CT	CAP, 5/45 MFD/440V/DUAL RD (M10, M11, M12, M13, M14, M15, M16, M17, M18, M19, M20)
CAP050300440RS	CAPACITOR 5/30/370V (M1, M2, M3)
CAP050400440CT	CAPACITOR 5/40/440V/DUAL RD (M4, M5, M6, M7, M8, M9)
CAP050700440CT	CAPACITOR 5/70/440V/DUAL RD (M21, M22, M23)
ZP16K5EPFV130	COMP, 15500, 208/230/60/1 (M1, M2, M3)
ZP29K5EPFV130	COMP, 29000, 208/230/60/1 (M10, M11, M12, M13, M14, M15)
ZP21K5EPFV130	COMPRESSOR 21300, 208/230/60/1 (M4, M5, M6)
ZP25K5EPFV130	COMPRESSOR 25200, 208/230/60/1 (M7, M8, M9)
ZP34K5EPFV130	COMPRESSOR 34500, 208/230/60/1 (M16, M17, M18)
ZP39K5EPFV130	COMPRESSOR 39000, 208/230/60/1 (M19, M20)
ZP51K5EPFV130	COMPRESSOR 51000, 208/230/60/1 (M21, M22, M23)
0131M00061	COND MOTOR 1/4 HP, 1 SP, 8 PL (M10, M11, M12, M16, M17, M18, M19, M20, M21, M22, M23)
0131M00060	COND MOTOR 1/6 HP, 1 SP, 8 PL (M4, M5, M6, M7, M8, M9)
0131M00012P	COND MOTOR 1/6 HP, 1 SP, 8 PL (M13, M14, M15)
0131M00266	COND PSC MOTOR 1/8 HP 8 PL (M1, M2, M3)
CONT1P025024V	CONTACTOR 25 AMP, 1P, 24V (M1, M2, M3, M4, M5, M6, M7, M8, M9, M10, M11, M12, M13, M14, M15, M16, M17, M18)
CONT1P030024V	CONTACTOR 30 AMP, 1P, 24V (M19, M20, M21, M22, M23)
0130M00105	CONTROL, DEFROST
571006700	CoreSense Module
PCBDM133	DEFROST CONTROL BOARD
0130M00106	DISC THERMOSTAT(CRNKCS HTR SW)
10625737	FAN BLADE 22" ALUM CCW (M1, M2, M3)
0150M00008	FAN BLADE 22" TNT2203-25 (M4, M5, M6, M7, M8, M9)
10625738	FAN BLADE 26" ALUM CCW (M13, M14, M15, M16, M17, M18, M19, M20, M21, M22, M23)
B1086765	FAN BLADE TYPE 3 (M10, M11, M12)
0163R00006	HEATER, CRANKCASE 230V, 40W (M1, M2, M3, M4, M5, M6, M7, M8, M9, M10, M11, M12, M13, M14, M15)
0163R00007	HEATER, CRANKCASE 230V, 40W (M16, M17, M18, M19, M20, M21, M22, M23)
0130M00089	HIGH PRESSURE SWITCH (M13, M15)
0130R00003	HIGH PRESSURE SWITCH (M1, M2, M3, M4, M5, M6, M7, M8, M9, M10, M11, M12, M14, M16, M17, M18, M19, M20, M21, M22, M23)
0130M00088	LOW PRESSURE SWITCH
0151M00019	REVERSING VALVE (M7, M8, M10, M11)
0151M00021	REVERSING VALVE (M13, M14, M16, M17, M19, M21, M22)
0151R00068	REVERSING VALVE (M3, M6)
0151R00069	REVERSING VALVE (M9, M12)
0151R00071	REVERSING VALVE (M15, M18, M20, M23)
0151M00018	REVERSING VALVE (M1, M2, M4, M5)
B1225022	SOLENOID COIL

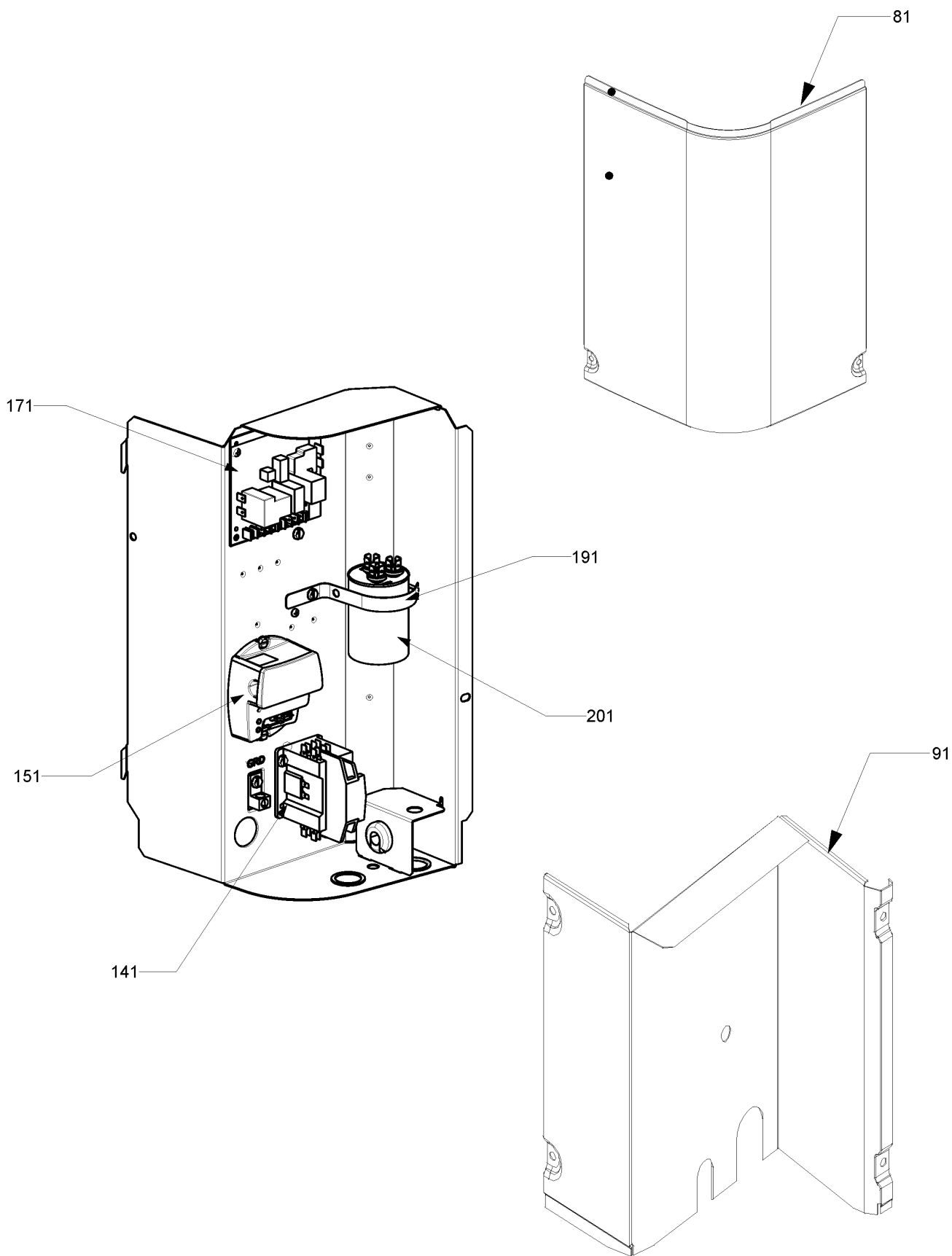
SPECIAL PARTS

0161R00038	GRILL CAP
0161R00036	NAMEPLATE, DAIKIN

Expanded Model Nomenclature

M1 - DZ14SA0181AA
M2 - DZ14SA0181AB
M3 - DZ14SA0181AC
M4 - DZ14SA0241AA
M5 - DZ14SA0241AB
M6 - DZ14SA0241AC
M7 - DZ14SA0301AA
M8 - DZ14SA0301AB
M9 - DZ14SA0301AC
M10 - DZ14SA0361AA
M11 - DZ14SA0361AB
M12 - DZ14SA0361AC
M13 - DZ14SA0381AA
M14 - DZ14SA0381AB
M15 - DZ14SA0381AC
M16 - DZ14SA0421AA
M17 - DZ14SA0421AB
M18 - DZ14SA0421AC
M19 - DZ14SA0481AA
M20 - DZ14SA0481AC
M21 - DZ14SA0601AA
M22 - DZ14SA0601AB
M23 - DZ14SA0601AC

Control Panel Assembly



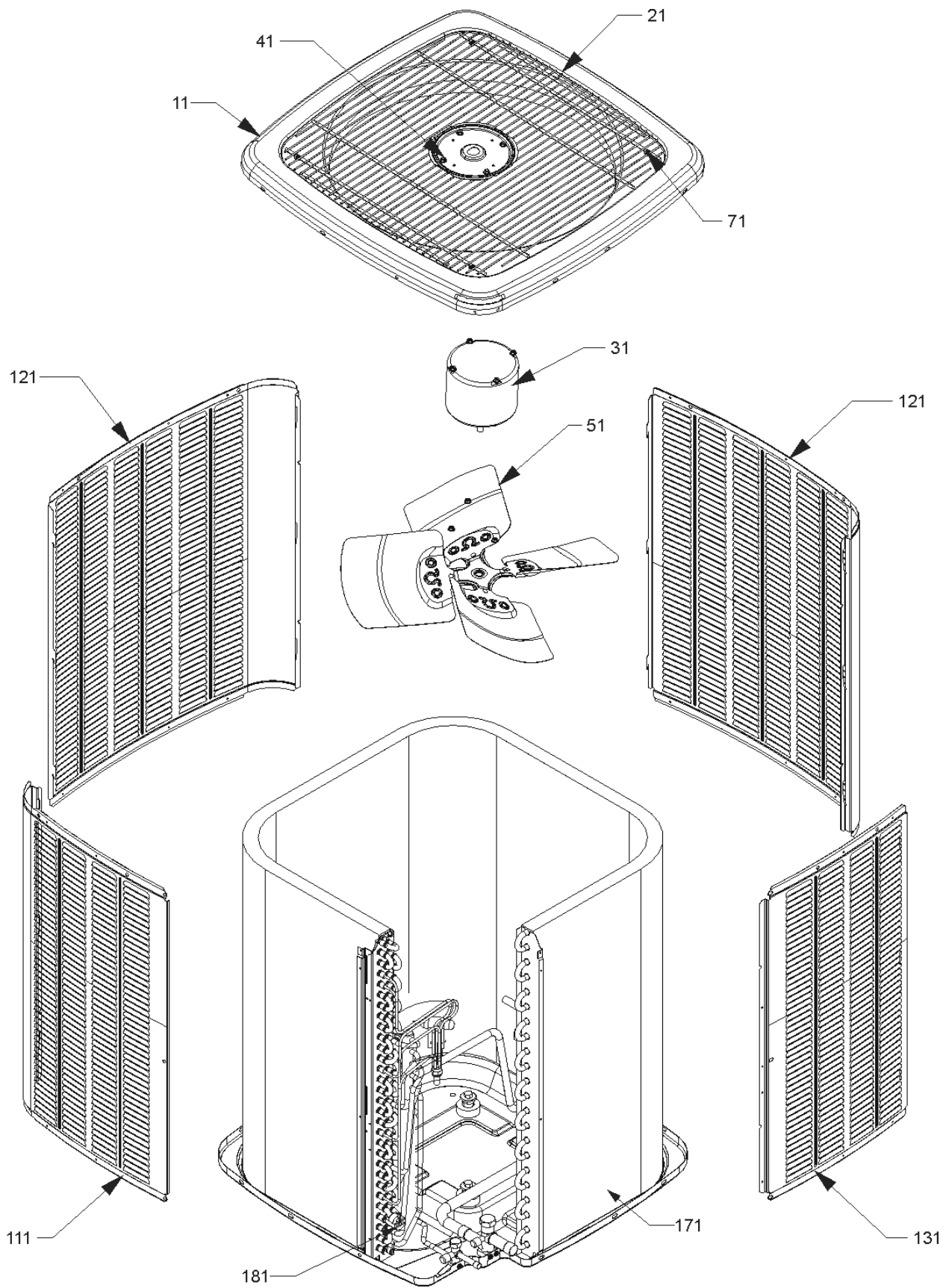
Control Panel Assembly

Ref. Part No:	No:	Description:	Ref. Part No:	No:	Description:
Image 1:					
81	0121R00053PNG	CONTROL COVER			
91	0121R00318	LOWER ACCESS PANEL (M4, M5, M6, M7, M8, M9, M10, M11, M12, M13, M14, M15, M16, M17, M18, M21, M22, M23)			
91	0121R00321	LOWER ACCESS PANEL (M1, M2, M3, M19, M20)			
141	CONT1P025024V	CONTACTOR 25 AMP, 1P, 24V (M1, M2, M3, M4, M5, M6, M7, M8, M9, M10, M11, M12, M13, M14, M15, M16, M17, M18)			
141	CONT1P030024V	CONTACTOR 30 AMP, 1P, 24V (M19, M20, M21, M22, M23)			
151	571006700	CoreSense Module			
171	PCBDM133	DEFROST CONTROL BOARD			
191	4400065	CAPACITOR STRAP			
201	CAP050450440CT	CAP, 5/45 MFD/440V/DUAL RD (M10, M11, M12, M13, M14, M15, M16, M17, M18, M19, M20)			
201	CAP050300440RS	CAPACITOR 5/30/370V (M1, M2, M3)			
201	CAP050400440CT	CAPACITOR 5/40/440V/DUAL RD (M4, M5, M6, M7, M8, M9)			
201	CAP050700440CT	CAPACITOR 5/70/440V/DUAL RD (M21, M22, M23)			
NS	0161R00038	GRILL CAP			
NS	0161R00036	NAMEPLATE, DAIKIN			

Expanded Model Nomenclature

M1 - DZ14SA0181AA
M2 - DZ14SA0181AB
M3 - DZ14SA0181AC
M4 - DZ14SA0241AA
M5 - DZ14SA0241AB
M6 - DZ14SA0241AC
M7 - DZ14SA0301AA
M8 - DZ14SA0301AB
M9 - DZ14SA0301AC
M10 - DZ14SA0361AA
M11 - DZ14SA0361AB
M12 - DZ14SA0361AC
M13 - DZ14SA0381AA
M14 - DZ14SA0381AB
M15 - DZ14SA0381AC
M16 - DZ14SA0421AA
M17 - DZ14SA0421AB
M18 - DZ14SA0421AC
M19 - DZ14SA0481AA
M20 - DZ14SA0481AC
M21 - DZ14SA0601AA
M22 - DZ14SA0601AB
M23 - DZ14SA0601AC

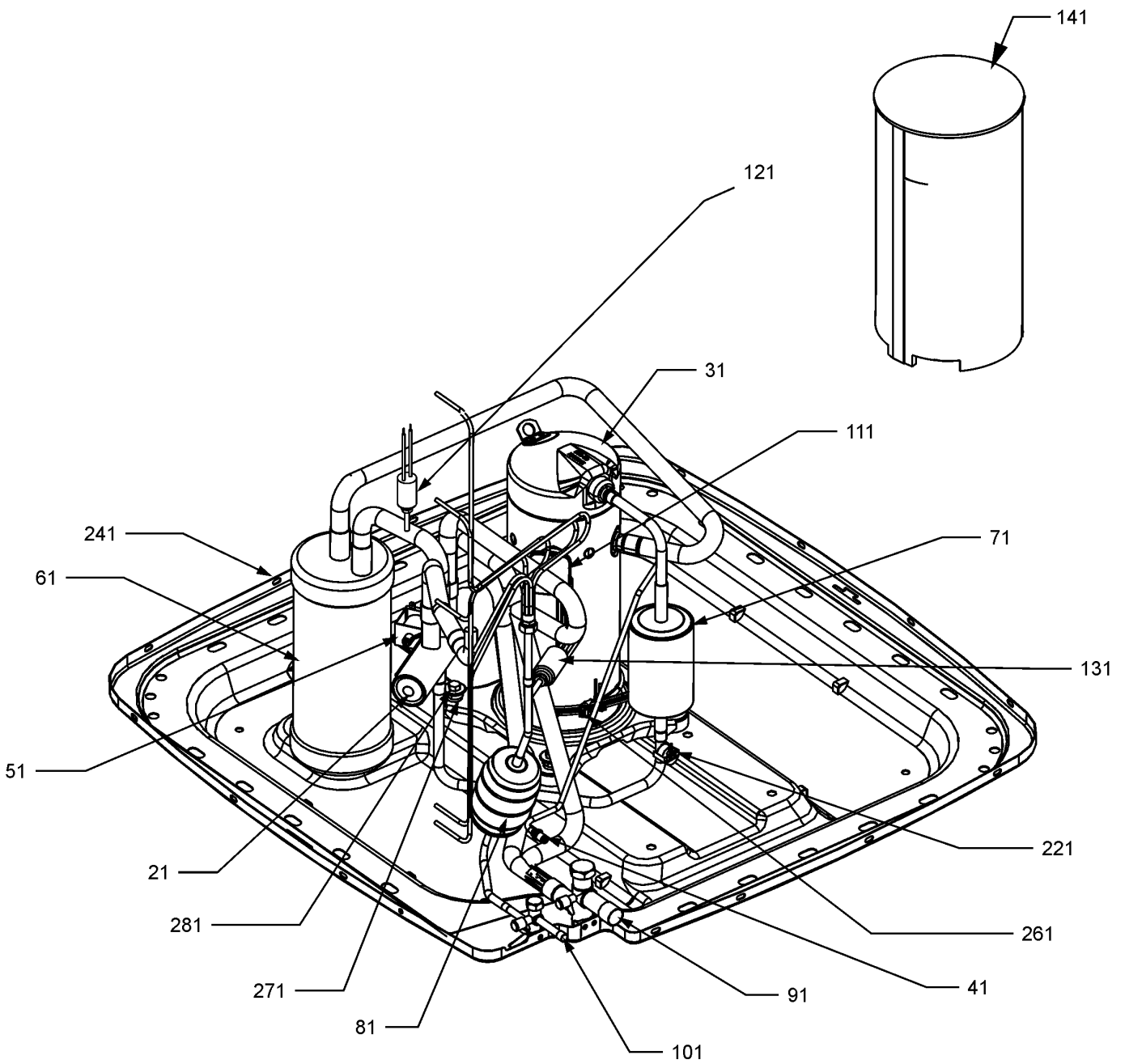
Top Panel / Coil Assembly



Top Panel / Coil Assembly

Ref. Part No: No:	Description:	Ref. Part No: No:	Description:
Image 1:		Expanded Model Nomenclature	
11	0121R00011PNG PANEL, VENTURI 29" PNT (M1, M2, M3, M4, M5, M6, M7, M8, M9, M10, M11, M12)	M1 - DZ14SA0181AA	
11	0121R00013PNG PANEL, VENTURI 35" PNT (M13, M14, M15, M16, M17, M18, M19, M20, M21, M22, M23)	M2 - DZ14SA0181AB	
21	0152R00011 GRILLE, WIRE 29" TOP (M1, M2, M3, M4, M5, M6, M7, M8, M9, M10, M11, M12)	M3 - DZ14SA0181AC	
21	0152R00014 GRILLE, WIRE 35" TOP (M13, M14, M15, M16, M17, M18, M19, M20, M21, M22, M23)	M4 - DZ14SA0241AA	
31	0131M00061 COND MOTOR 1/4 HP, 1 SP, 8 PL (M10, M11, M12, M16, M17, M18, M19, M20, M21, M22, M23)	M5 - DZ14SA0241AB	
31	0131M00012P COND MOTOR 1/6 HP, 1 SP, 8 PL (M13, M14, M15)	M6 - DZ14SA0241AC	
31	0131M00060 COND MOTOR 1/6 HP, 1 SP, 8 PL (M4, M5, M6, M7, M8, M9)	M7 - DZ14SA0301AA	
31	0131M00266 COND PSC MOTOR 1/8 HP 8 PL (M1, M2, M3)	M8 - DZ14SA0301AB	
41	M0280801 HEX NUT (QTY 4)	M9 - DZ14SA0301AC	
51	10625737 FAN BLADE 22" ALUM CCW (M1, M2, M3)	M10 - DZ14SA0361AA	
51	0150M00008 FAN BLADE 22" TNT2203-25 (M4, M5, M6, M7, M8, M9)	M11 - DZ14SA0361AB	
51	10625738 FAN BLADE 26" ALUM CCW (M13, M14, M15, M16, M17, M18, M19, M20, M21, M22, M23)	M12 - DZ14SA0361AC	
51	B1086765 FAN BLADE TYPE 3 (M10, M11, M12)	M13 - DZ14SA0381AA	
71	0163M00003P SCREW #10 X 1/2, A, SLOT, SR, BLACK (QTY 6)	M14 - DZ14SA0381AB	
111	4400457PNGB PANEL 1, BENT LOUVER PNT (M1, M2, M3)	M15 - DZ14SA0381AC	
111	4400458PNGB PANEL 1, BENT LOUVER PNT (M4, M5, M6, M7, M8, M9, M10, M11, M12)	M16 - DZ14SA0421AA	
111	4400463PNGB PANEL 1, BENT LOUVER PNT (M19, M20)	M17 - DZ14SA0421AB	
111	4400464PNGB PANEL 1, BENT LOUVER PNT (M13, M14, M15, M16, M17, M18, M21, M22, M23)	M18 - DZ14SA0421AC	
121	4400459PNGB PANEL 2,BENT LOUVER (M1, M2, M3)	M19 - DZ14SA0481AA	
121	4400460PNGB PANEL 2,BENT LOUVER (M4, M5, M6, M7, M8, M9, M10, M11, M12)	M20 - DZ14SA0481AC	
121	4400465PNGB PANEL 2,BENT LOUVER (M19, M20)	M21 - DZ14SA0601AA	
121	4400466PNGB PANEL 2,BENT LOUVER (M13, M14, M15, M16, M17, M18, M21, M22, M23)	M22 - DZ14SA0601AB	
131	4400461PNG PANEL 3,LOUVER (M1, M2, M3)	M23 - DZ14SA0601AC	
131	4400462PNG PANEL 3,LOUVER (M4, M5, M6, M7, M8, M9, M10, M11, M12)		
131	4400467PNG PANEL 3,LOUVER (M19, M20)		
131	4400468PNG PANEL 3,LOUVER (M13, M14, M15, M16, M17, M18, M21, M22, M23)		
171	0201R00060 TUBING ASSY, COND COIL (M19, M20)		
171	0201R00061 TUBING ASSY, COND COIL (M4, M5, M6)		
171	0201R00062 TUBING ASSY, COND COIL (M7, M8, M9)		
171	0201R00071 TUBING ASSY, COND COIL (M1, M2, M3)		
171	0201R00072 TUBING ASSY, COND COIL (M16, M17, M18)		
171	0201R00073 TUBING ASSY, COND COIL (M21, M22, M23)		
171	0201R00351 TUBING ASSY, COND COIL (M10, M11, M12)		
171	0201R00537 TUBING ASSY, COND COIL (M13, M14, M15)		
181	0130M00105 CONTROL, DEFROST		
NS	0161R00002P CONDUIT (M1, M2, M3, M4, M5, M6, M7, M8, M9, M10, M11, M12)		
NS	0161R00004P CONDUIT (M13, M14, M15, M16, M17, M18, M19, M20, M21, M22, M23)		

Compressor / Tubing Assembly



Compressor / Tubing Assembly

Ref. Part No: No:	Description:	Ref. Part No: No:	Description:
Image 1:		Expanded Model Nomenclature	
21	0151M00018	REVERSING VALVE (M1, M2, M4, M5)	M1 - DZ14SA0181AA
21	0151M00019	REVERSING VALVE (M7, M8, M10, M11)	M2 - DZ14SA0181AB
21	0151M00021	REVERSING VALVE (M13, M14, M16, M17, M19, M21, M22)	M3 - DZ14SA0181AC
21	0151R00068	REVERSING VALVE (M3, M6)	M4 - DZ14SA0241AA
21	0151R00069	REVERSING VALVE (M9, M12)	M5 - DZ14SA0241AB
21	0151R00071	REVERSING VALVE (M15, M18, M20, M23)	M6 - DZ14SA0241AC
31	ZP16K5EPFV130	COMP,15500,208/230/60/1 (M1, M2, M3)	M7 - DZ14SA0301AA
31	ZP29K5EPFV130	COMP,29000,208/230/60/1 (M10, M11, M12, M13, M14, M15)	M8 - DZ14SA0301AB
31	ZP21K5EPFV130	COMPRESSOR 21300, 208/230/60/1 (M4, M5, M6)	M9 - DZ14SA0301AC
31	ZP25K5EPFV130	COMPRESSOR 25200, 208/230/60/1 (M7, M8, M9)	M10 - DZ14SA0361AA
31	ZP34K5EPFV130	COMPRESSOR 34500, 208/230/60/1 (M16, M17, M18)	M11 - DZ14SA0361AB
31	ZP39K5EPFV130	COMPRESSOR 39000, 208/230/60/1 (M19, M20)	M12 - DZ14SA0361AC
31	ZP51K5EPFV130	COMPRESSOR 51000, 208/230/60/1 (M21, M22, M23)	M13 - DZ14SA0381AA
41	B1787000	VALVE CORE	M14 - DZ14SA0381AB
51	0130M00083	REVERSING VALVE HARNESS	M15 - DZ14SA0381AC
61	0151L00008	ACCUMULATOR (M10, M11, M12)	M16 - DZ14SA0421AA
61	0151L00009	ACCUMULATOR (M13, M14, M15)	M17 - DZ14SA0421AB
61	0151R00004P	ACCUMULATOR .750 (M1, M2, M3, M4, M5, M6, M7, M8, M9)	M18 - DZ14SA0421AC
61	B1226207	ACCUMULATOR .875 (M16, M17, M18, M19, M20, M21, M22, M23)	M19 - DZ14SA0481AA
71	0162R00007	MUFFLER 1/2 X 1/2	M20 - DZ14SA0481AC
81	20485201	BI-FLOW FILTER DRIER	M21 - DZ14SA0601AA
91	0151R00032	VALVE, BASE 3/4" OPEN LEFT (M10, M11, M12)	M22 - DZ14SA0601AB
91	0151R00033	VALVE, BASE 7/8" OPEN LEFT (M13, M14, M15)	M23 - DZ14SA0601AC
101	B12825171	3/8" SERVICE VALVE	
111	0159R00002P	COMPRESSOR SCROLL HARNESS (M10, M11, M12, M13, M14, M15, M16, M17, M18, M19, M20, M21, M22, M23)	
121	0130M00088	LOW PRESSURE SWITCH	
131	0130M00089	HIGH PRESSURE SWITCH (M13, M15)	
131	0130R00003	HIGH PRESSURE SWITCH (M1, M2, M3, M4, M5, M6, M7, M8, M9, M10, M11, M12, M14, M16, M17, M18, M19, M20, M21, M22, M23)	
141	B1488807	COMPRESSOR SOUND BLANKET (M16, M17, M18, M19, M20, M21, M22, M23)	
141	B1488810	COMPRESSOR SOUND BLANKET (M1, M2, M3, M4, M5, M6, M7, M8, M9, M10, M11, M12, M13, M14, M15)	
221	0130M00106	DISC THERMOSTAT(CRNKCS HTR SW)	
241	0121R00006PNG	BASE PAN 29" (M1, M2, M3, M4, M5, M6, M7, M8, M9, M10, M11, M12)	
241	0121R00007PNG	BASE PAN 35" (M13, M14, M15, M16, M17, M18, M19, M20, M21, M22, M23)	
261	0163R00006	HEATER, CRANKCASE 230V, 40W (M1, M2, M3, M4, M5, M6, M7, M8, M9, M10, M11, M12, M13, M14, M15)	
261	0163R00007	HEATER, CRANKCASE 230V, 40W (M16, M17, M18, M19, M20, M21, M22, M23)	
271	B1339533	COMPRESSOR GROMMET (QTY 4)	
281	M0221641	TF SHOULDER SCREW (QTY 4)	
NS	0163M00175	CAP WITH O-RING	
NS	0151R00005	COMPENSATOR 16 OZ (M13, M14, M15)	
NS	B1225022	SOLENOID COIL	