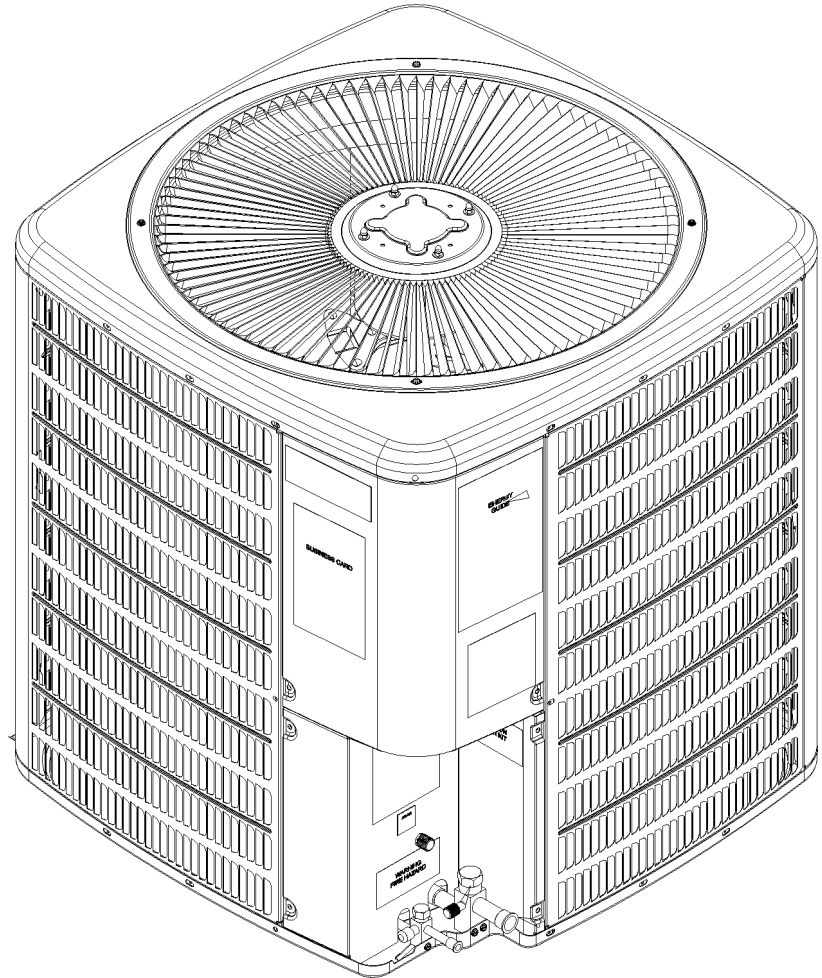


DZ13SA Remote 3-Phase Heat Pump

DZ13SA0363AC
DZ13SA0483AC
DZ13SA0484AC
DZ13SA0603AC
DZ13SA0603AD
DZ13SA0604AC
DZ13SA0604AD



This manual is to be used by qualified technicians only.

This manual replaces RP-D4311.

© 2016 - 2017 **DAIKIN MANUFACTURING COMPANY, L.P.** ♦ 5151 San Felipe St., Suite 500 ♦ Houston, TX 77056

Important Information

Index

Functional Parts List	3
Illustration and Parts	4 - 9

Views shown are for parts illustrations only, not servicing procedures

Text Codes:

AR - As Required

NA - Not Available

NS - Not Shown

00000000 - See Note

QTY - Quantity Example (QTY 3) (If Quantity not shown, Quantity = 1)

M - Model Example (M1) (If M Code not shown, then part is used on all Models)

Expanded Model Nomenclature:

Example M1 - Model#1 M2 - Model#2 M3 - Model#3

Daikin Manufacturing Company, L.P. is not responsible for personal injury or property damage resulting from improper service. Review all service information before beginning repairs.

Warranty service must be performed by an authorized technician, using authorized factory parts. If service is required after the warranty expires, Daikin Manufacturing Company, L.P. also recommends contacting an authorized technician and using authorized factory parts.

Daikin Manufacturing Company, L.P. reserves the right to discontinue, or change at any time, specifications or designs without notice or without incurring obligations.

For assistance within the U.S.A. contact:

Homeowner Support
Daikin North America, LLC
19001 Kermier Road
Waller, Texas 77484
855-770-5678-Telephone
713-863-2382-Facsimile

For assistance outside the U.S.A. contact:

International Division
Daikin North America, LLC
19001 Kermier Road
Waller, Texas 77484
713-861-2500-Telephone
713-863-2382-Facsimile

Functional Parts

Part

No: Description:

B1226207	ACCUMULATOR .875 (M2, M3, M4, M5, M6, M7)
0151R00079	BASE VALVE 3/4" (M1)
0151R00078	BASE VALVE 3/8"
0151R00080	BASE VALVE 7/8" (M2, M3, M4, M5, M6, M7)
CAP050000370LA	CAPACITOR 5/370V
ZP31K5ETF5130	COMPRESSOR 31200, 200/230/60/3 (M1)
ZP39K5ETF5130	COMPRESSOR 39000, 200/230/60/3 (M2)
ZP39K5ETFD130	COMPRESSOR 39000, 460/60/3 (M3)
ZP51K5ETF5130	COMPRESSOR 51000, 208/230/60/3 (M4, M5)
ZP51K5ETFD130	COMPRESSOR 51000, 460/60/3 (M6, M7)
0131M00061	COND MOTOR 1/4 HP, 1 SP, 8 PL (M4)
CONT3P025024V	CONTACTOR 25 AMP, 3P, 24V
0130M00105	CONTROL, DEFROST
0130R00056	CUT-OUT SWITCH, HIGH PRESSURE
0130R00001	CUT-OUT SWITCH, LOW PRESSURE
PCBDM101	DEFROST CONTROL BOARD
B1086750	FAN BLADE 22", 3 BLADE, 24° (M2)
10625738	FAN BLADE 26" ALUM CCW (M4, M5, M6, M7)
B1086765	FAN BLADE TYPE 3 (M3)
0150M00022	FAN BLADE, 22" (M1)
0163R00004	HEATER CRANKCASE, 460V, 40W (M3, M6, M7)
0163R00003	HEATER, CRANKCASE 230V 40W (M2, M4, M5)
0163R00002	HEATER, CRANKCASE 230V, 40W (M1)
0131M00022	MOTOR 1/4 HP, 8 PL, 460V (M6)
0131M00783	MOTOR, 1/4HP 8PL 460V (M3, M7)
0131M00813	MOTOR, 1/4HP, 1SP, 6PL (M1, M2)
0131M00807	MOTOR, 1/4HP, 1SP, 8PL, AL (M5)
0151M00020	REVERSING VALVE (M4, M5, M6, M7)
0151R00070	REVERSING VALVE (M2, M3)

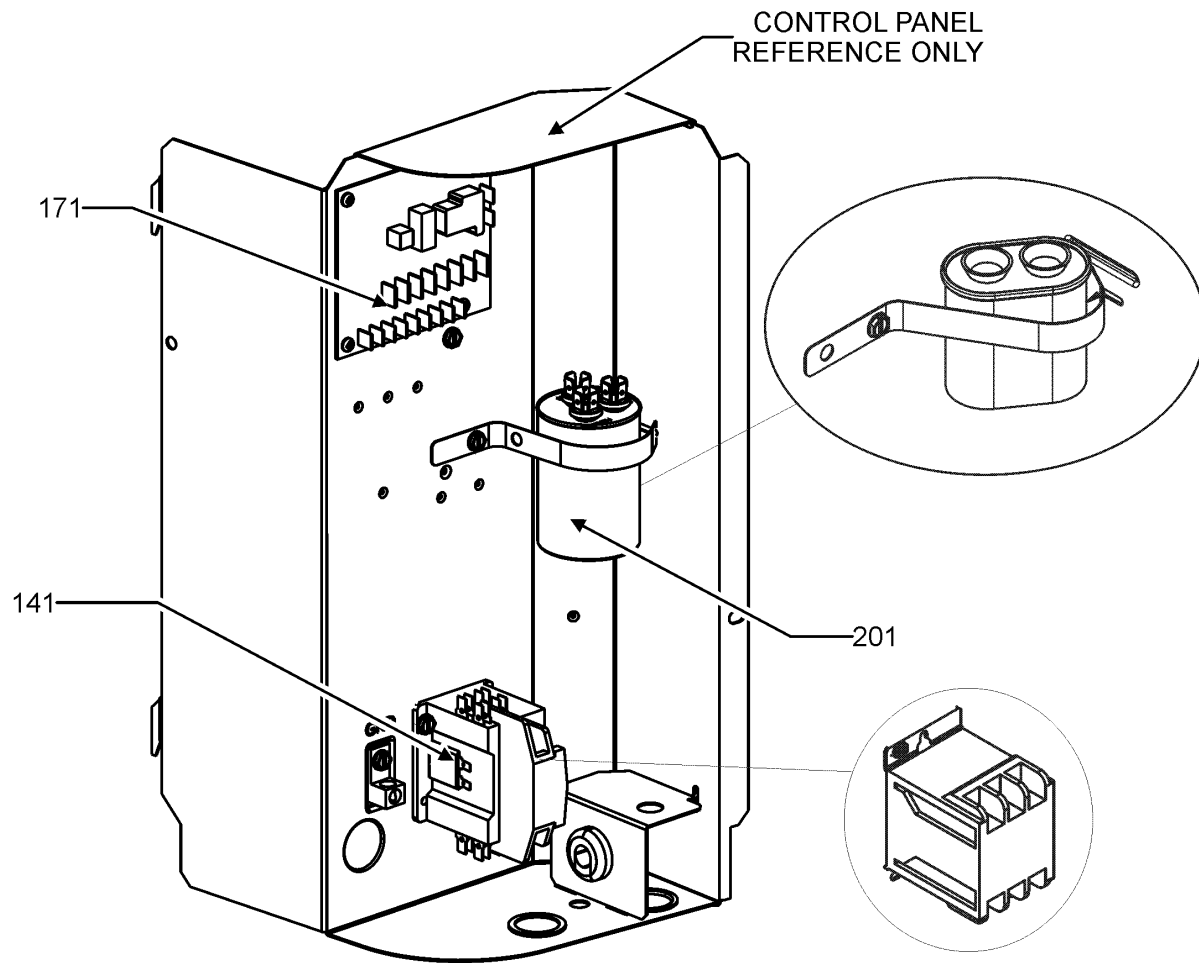
SPECIAL PARTS

0161R00036 NAMEPLATE, DAIKIN

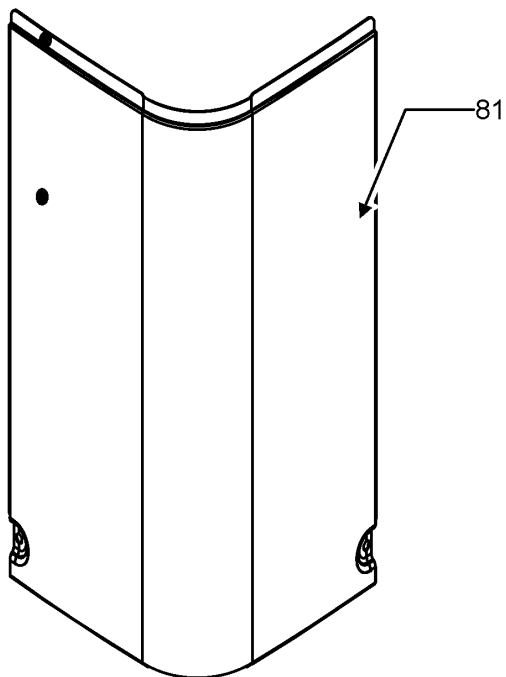
Expanded Model Nomenclature

M1 - DZ13SA0363AC
M2 - DZ13SA0483AC
M3 - DZ13SA0484AC
M4 - DZ13SA0603AC
M5 - DZ13SA0603AD
M6 - DZ13SA0604AC
M7 - DZ13SA0604AD

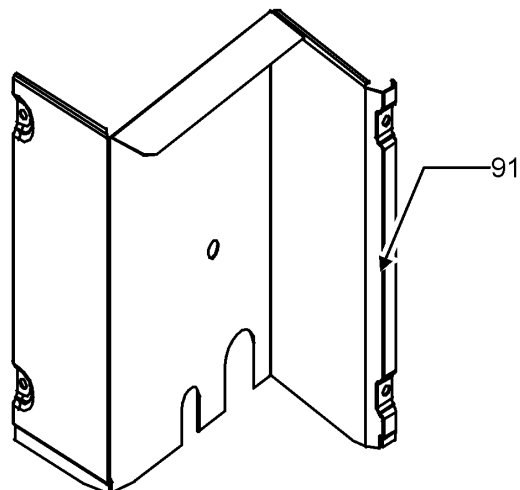
Control Cover and Control Box Assembly



COVER



ACCESS PANEL



Control Cover and Control Box Assembly

Ref. Part No:	No:	Description:	Ref. Part No:	No:	Description:
---------------	-----	--------------	---------------	-----	--------------

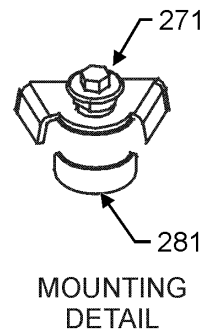
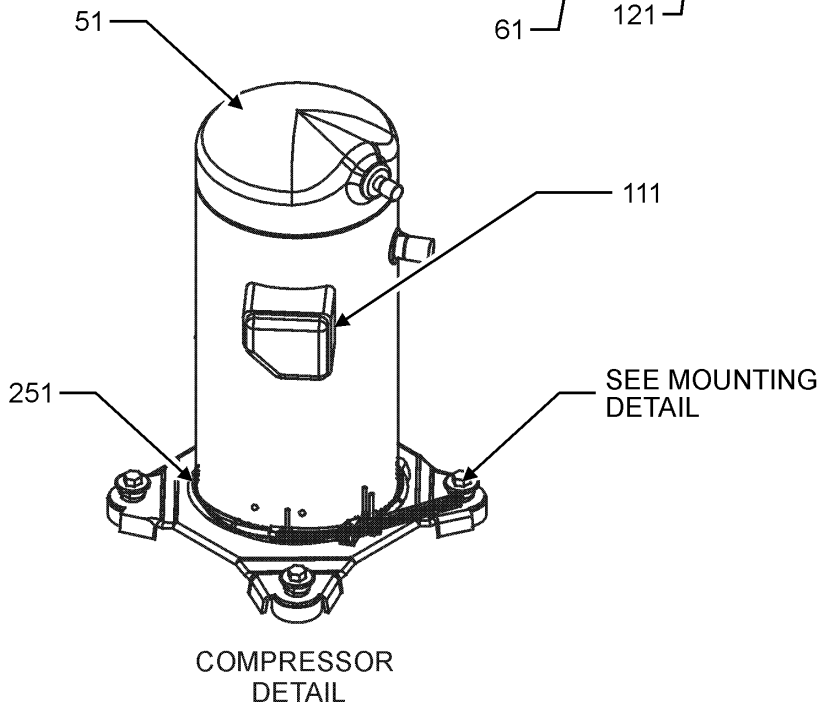
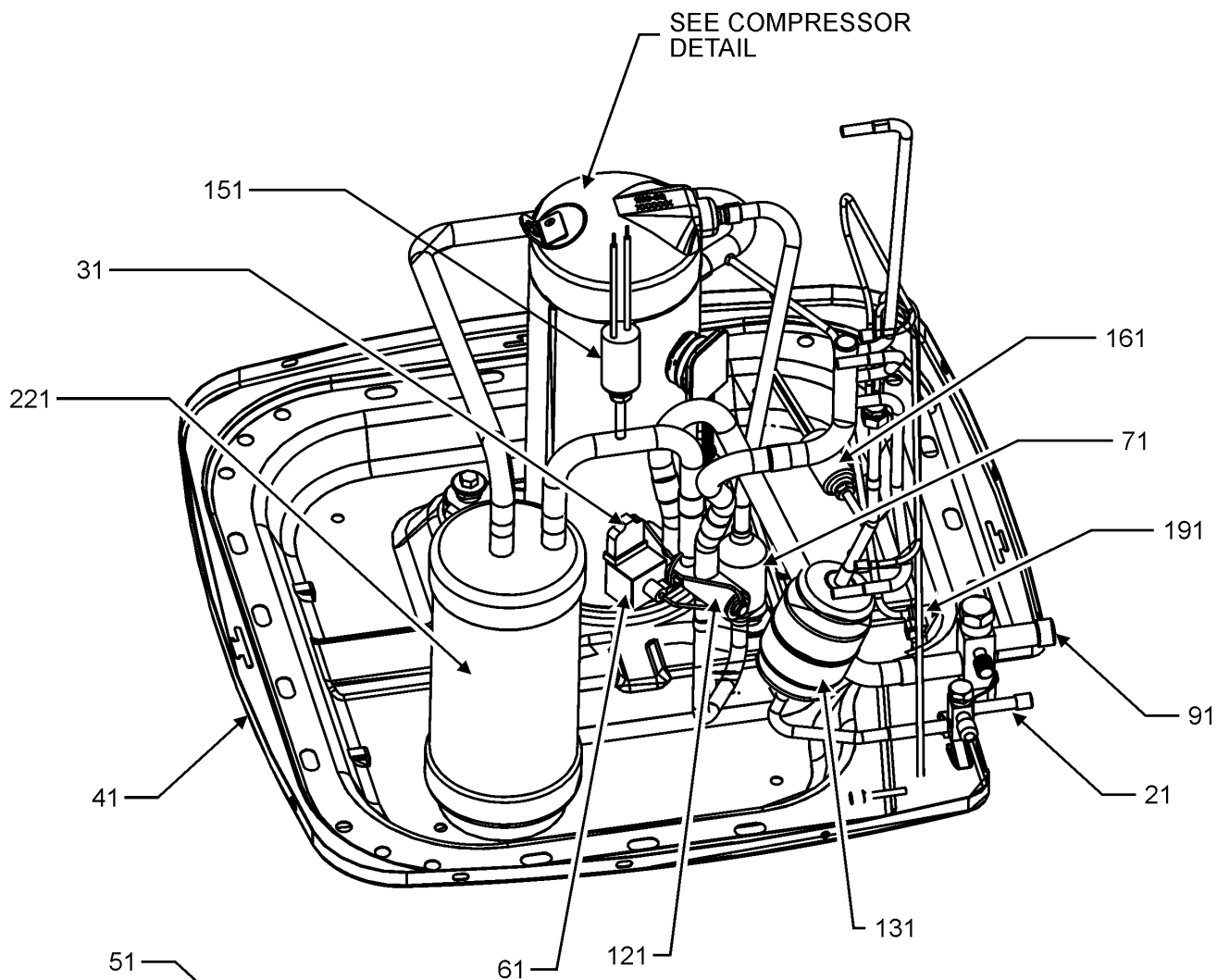
Image 1:

81	0121R00053PNG	CONTROL COVER, SMALL PNT
91	0121R00318PNG	PANEL, LOWER ACCESS PNT (M1)
91	0121R00321PNG	PANEL, LOWER ACCESS PNT (M2, M3, M4, M5, M6, M7)
141	CONT3P025024V	CONTACTOR 25 AMP, 3P, 24V
171	PCBDM101	DEFROST CONTROL BOARD
191	4400065	CAPACITOR STRAP
201	CAP050000370LA	CAPACITOR 5/370V
NS	0161R00036	NAMEPLATE, DAIKIN

Expanded Model Nomenclature

M1 - DZ13SA0363AC
M2 - DZ13SA0483AC
M3 - DZ13SA0484AC
M4 - DZ13SA0603AC
M5 - DZ13SA0603AD
M6 - DZ13SA0604AC
M7 - DZ13SA0604AD

Compressor and Tubing Assembly



Compressor and Tubing Assembly

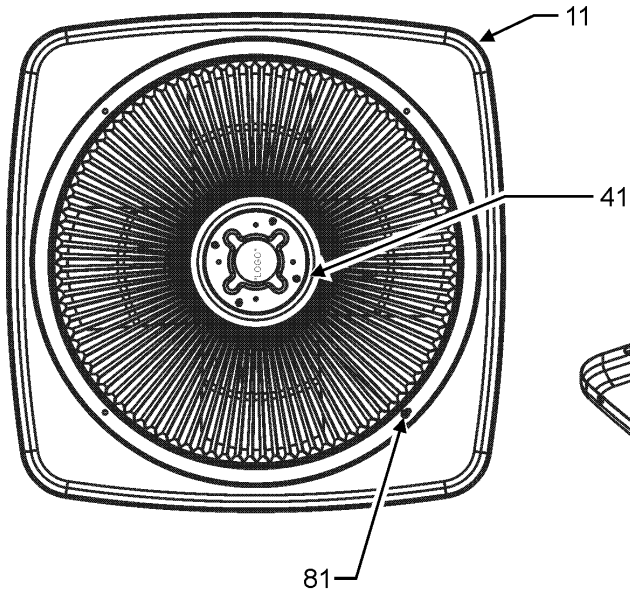
Ref. Part No:	Description:	Ref. Part No:	Description:
Image 1:			
21	0151R00078		BASE VALVE 3/8"
31	0130M00083		SOLENOID HARNESS W/1/4" TERM
41	0121R00006PNG		BASE PAN, 29" PNT (M1, M2, M3)
41	0121R00007PNG		BASE PAN, 35.5" PNT (M4, M5, M6, M7)
51	ZP31K5ETF5130		COMPRESSOR 31200, 200/230/60/3 (M1)
51	ZP39K5ETF5130		COMPRESSOR 39000, 200/230/60/3 (M2)
51	ZP39K5ETFD130		COMPRESSOR 39000, 460/60/3 (M3)
51	ZP51K5ETF5130		COMPRESSOR 51000, 208/230/60/3 (M4, M5)
51	ZP51K5ETFD130		COMPRESSOR 51000, 460/60/3 (M6, M7)
61	B1225022		SOLENOID COIL
71	B1219301		MUFFLER 1/2 X 1/2
91	0151R00079		BASE VALVE 3/4" (M1)
91	0151R00080		BASE VALVE 7/8" (M2, M3, M4, M5, M6, M7)
111	0159R00008		COMPRESSOR SCROLL HARNESS (M1, M2, M3)
111	0159R00009		COMPRESSOR SCROLL HARNESS (M4, M5, M6, M7)
121	0151M00020		REVERSING VALVE (M4, M5, M6, M7)
121	0151R00070		REVERSING VALVE (M2, M3)
131	20485201		BI-FLOW FILTER DRIER
151	0130R00001		CUT-OUT SWITCH, LOW PRESSURE
161	0130R00056		CUT-OUT SWITCH, HIGH PRESSURE
191	B1787000		VALVE CORE
221	B1226207		ACCUMULATOR .875 (M2, M3, M4, M5, M6, M7)
251	0163R00004		HEATER CRANKCASE, 460V, 40W (M3, M6, M7)
251	0163R00003		HEATER, CRANKCASE 230V 40W (M2, M4, M5)
251	0163R00002		HEATER, CRANKCASE 230V, 40W (M1)
271	M0221641		TF SHOULDER SCREW (QTY 4)
281	B1339533		COMPRESSOR GROMMET (QTY 4)
NS	0130M00083		REVERSING VALVE HARNESS

Expanded Model Nomenclature

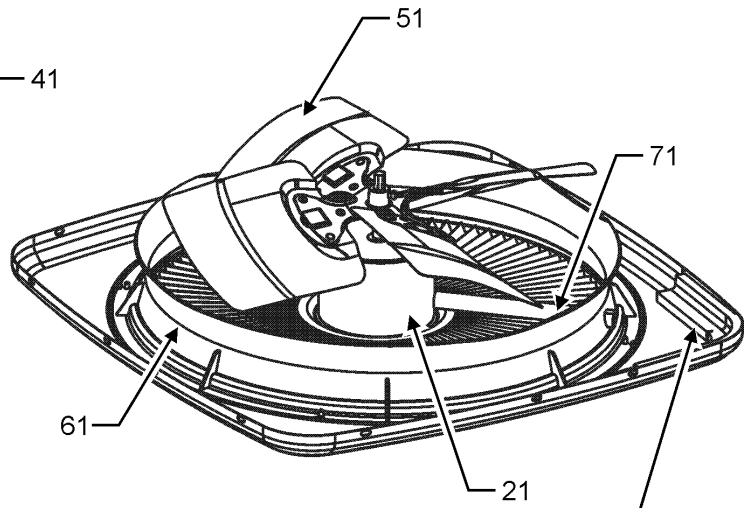
- M1 - DZ13SA0363AC
- M2 - DZ13SA0483AC
- M3 - DZ13SA0484AC
- M4 - DZ13SA0603AC
- M5 - DZ13SA0603AD
- M6 - DZ13SA0604AC
- M7 - DZ13SA0604AD

Cabinet Top and Side Panel Assembly

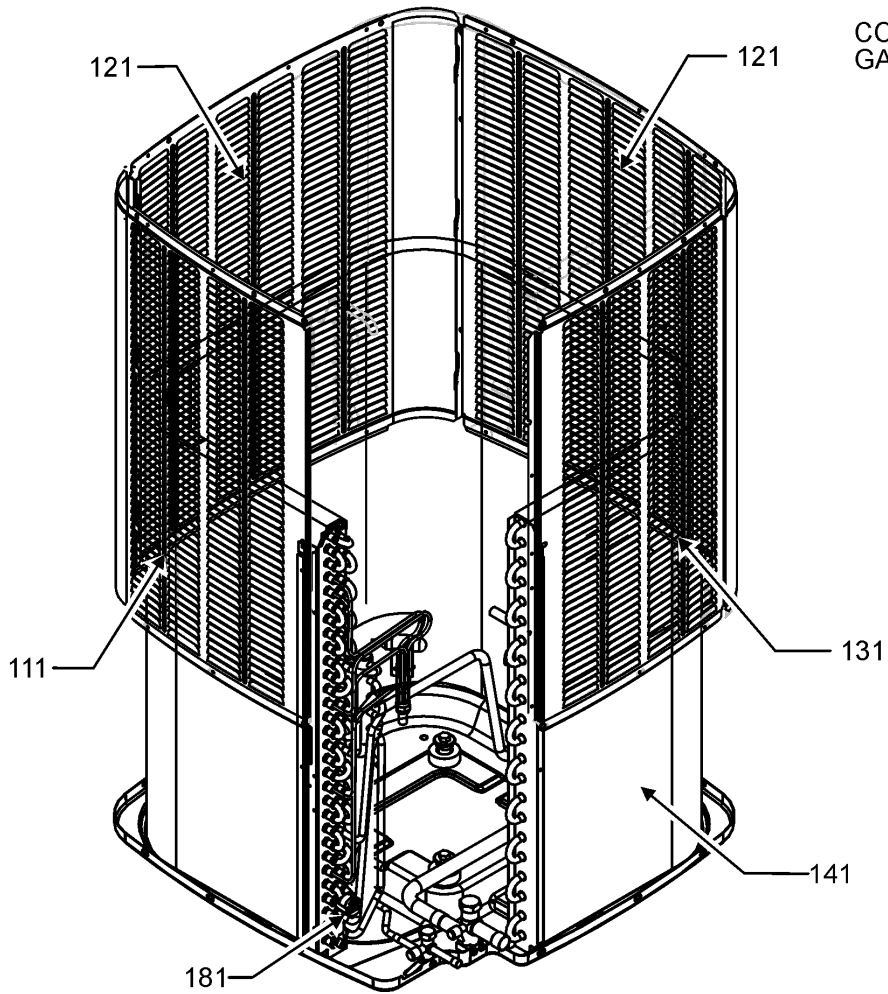
TOP VIEW



BOTTOM VIEW



CONTROL PANEL GASKET LOCATION



Cabinet Top and Side Panel Assembly

Ref. Part No: No:	Description:	Ref. Part No: No:	Description:
-------------------	--------------	-------------------	--------------

Image 1:

11	0121R00010PNG	TOP PANEL 29" (M1, M2, M3)
11	0121R00269PNG	Top Panel, 35" Pnt (M4, M5, M6, M7)
21	0131M00061	COND MOTOR 1/4 HP, 1 SP, 8 PL (M4)
21	0131M00022	MOTOR 1/4 HP, 8 PL, 460V (M6)
21	0131M00783	MOTOR, 1/4HP 8PL 460V (M3, M7)
21	0131M00813	MOTOR, 1/4HP, 1SP, 6PL (M1, M2)
21	0131M00807	MOTOR, 1/4HP,1SP,8PL,AL (M5)
41	0163M00006P	ACORN NUT 5/16 HEX BLACK (QTY 4)
51	B1086750	FAN BLADE 22", 3 BLADE, 24° (M2)
51	10625738	FAN BLADE 26" ALUM CCW (M4, M5, M6, M7)
51	B1086765	FAN BLADE TYPE 3 (M3)
51	0150M00022	FAN BLADE, 22" (M1)
61	0161L00000	VENTURI RING 22" (M1, M2, M3)
61	0161R00007P	VENTURI RING 35" (M4, M5, M6, M7)
71	0161R00002P	CONDUIT (M1, M2, M3)
71	0161R00004P	CONDUIT (M4, M5, M6, M7)
81	0163M00004	SCREW #10X3/4", BLACK (QTY 4)
111	4400457PNGB	PANEL 1, BENT LOUVER (M2, M3)
111	4400458PNGB	PANEL 1, BENT LOUVER (M1)
111	4400463PNGB	PANEL 1, BENT LOUVER PNT (M4, M5, M6, M7)
121	4400465PNGB	Panel 2 bent (M4, M5, M6, M7)
121	4400459PNGB	PANEL 2, BENT LOUVER (M2, M3)
121	4400460PNGB	PANEL 2, BENT LOUVER 29_36 (M1)
131	4400461PNG	PANEL 3, LOUVER 29_32 HRZ (M2, M3)
131	4400462PNG	PANEL 3, LOUVER 29_36 HRZ (M1)
131	4400467PNG	PANEL 3,LOUVER 35_32 HRZ PNT (M4, M5, M6, M7)
141	0201R00547	COIL TUBING ASSY (M4, M5, M6, M7)
141	0201R00577	COIL TUBING ASSY (M2, M3)
141	0201R00151S	TUBING ASSY, COND COIL (M1)
181	0130M00105	CONTROL, DEFROST
NS	B1789868	FLOW CHECK PISTON KIT .068 (M1)
NS	B1789878	FLOW CHECK PISTON KIT .078 (M2, M3)
NS	B1789888	FLOW CHECK PISTON KIT .088 (M4, M5, M6, M7)
NS	0154R00006	GASKET, CONTROL PANEL
NS	0163M00005P	WASHER, BLACK (.50 OD .218ID) (QTY 4)

Expanded Model Nomenclature

M1 - DZ13SA0363AC
M2 - DZ13SA0483AC
M3 - DZ13SA0484AC
M4 - DZ13SA0603AC
M5 - DZ13SA0603AD
M6 - DZ13SA0604AC
M7 - DZ13SA0604AD