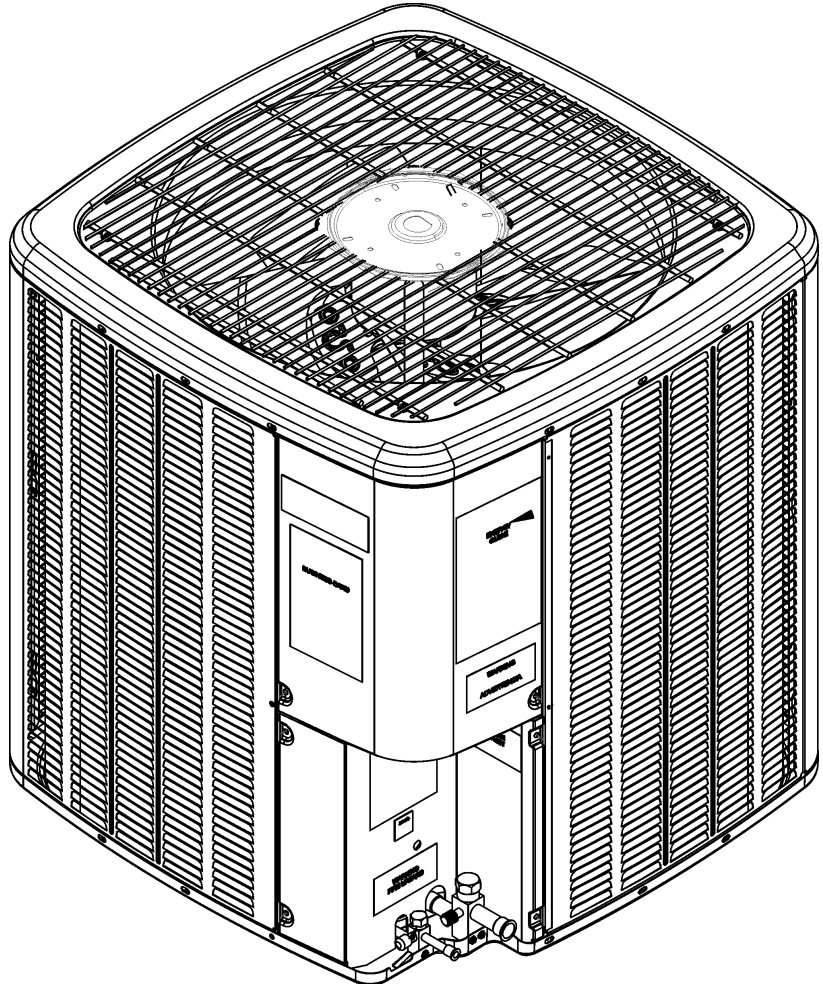


## DZ13SA Remote Heat Pump

DZ13SA0181AA  
DZ13SA0181AB  
DZ13SA0241AA  
DZ13SA0241AB  
DZ13SA0301AA  
DZ13SA0301AB  
DZ13SA0361AA  
DZ13SA0361AB  
DZ13SA0361AC  
DZ13SA0421AA  
DZ13SA0421AB  
DZ13SA0421AC  
DZ13SA0481AA  
DZ13SA0481AB  
DZ13SA0601AA



This manual is to be used by qualified technicians only.

This manual replaces RP-D4010C.

© 2014 - 2016 **DAIKIN MANUFACTURING COMPANY, L.P.** ♦ 5151 San Felipe St., Suite 500 ♦ Houston, TX 77056

# Important Information

---

## Index

Functional Parts List .....	3
Illustration and Parts .....	4 - 9

*Views shown are for parts illustrations only, not servicing procedures*

### Text Codes:

AR - As Required

NA - Not Available

NS - Not Shown

00000000 - See Note

QTY - Quantity Example (QTY 3) (If Quantity not shown, Quantity = 1)

M - Model Example (M1) (If M Code not shown, then part is used on all Models)

### Expanded Model Nomenclature:

Example M1 - Model#1 M2 - Model#2 M3 - Model#3
---

Daikin Manufacturing Company, L.P. is not responsible for personal injury or property damage resulting from improper service. Review all service information before beginning repairs.

Warranty service must be performed by an authorized technician, using authorized factory parts. If service is required after the warranty expires, Daikin Manufacturing Company, L.P. also recommends contacting an authorized technician and using authorized factory parts.

Daikin Manufacturing Company, L.P. reserves the right to discontinue, or change at any time, specifications or designs without notice or without incurring obligations.

For assistance within the U.S.A. contact:

Homeowner Support  
Daikin North America, LLC  
19001 Kermier Road  
Waller, Texas 77484  
855-770-5678-Telephone  
713-863-2382-Facsimile

For assistance outside the U.S.A. contact:

International Division  
Daikin North America, LLC  
19001 Kermier Road  
Waller, Texas 77484  
713-861-2500-Telephone  
713-863-2382-Facsimile

# Functional Parts

**Part No:**      **Description:**

0151R00078	BASE VALVE 3/8"
CAP050300440CS	CAP.5/30MFD/440V/DUAL RD (M1, M2)
CAP050400440CT	CAPACITOR 5/40/440V/DUAL RD (M3, M4, M5, M6)
CAP050450440CT	CAPACITOR 5/45/440V/DUAL RD (M7, M8, M9, M10, M11, M12, M13, M14)
CAP050700440CT	CAPACITOR 5/70/440V/DUAL RD (M15)
ZP16K5EPFV130	COMPRESSOR 15500, 208/230/60/1 (M1, M2)
ZP21K5EPFV130	COMPRESSOR 21300, 208/230/60/1 (M3, M4)
ZP25K5EPFV130	COMPRESSOR 25200, 208/230/60/1 (M5, M6)
ZP31K5EPFV130	COMPRESSOR 31100, 208/230/60/1 (M7, M8, M9)
ZP34K5EPFV130	COMPRESSOR 34500, 208/230/60/1 (M10, M11, M12)
ZP39K5EPFV130	COMPRESSOR 39000, 208/230/60/1 (M13, M14)
ZP51K5EPFV130	COMPRESSOR 51000, 208/230/60/1 (M15)
0131M00061	COND MOTOR 1/4 HP, 1 SP, 8 PL (M13, M14, M15)
0131M00060	COND MOTOR 1/6 HP, 1 SP, 8 PL (M7, M8, M10, M11)
0131M00266	COND MOTOR 1/8 HP, 8 PL, PSC (M1, M2, M3, M4, M5, M6)
0131M00753	COND MOTOR, 1/6HP, 1SP, 8PL, AL (M9, M12)
CONT1P025024V	CONTACTOR 25 AMP, 1P, 24V (M1, M2, M3, M4, M5, M6, M7, M8, M9, M10, M11, M12)
CONT1P030024V	CONTACTOR 30 AMP, 1P, 24V (M13, M14, M15)
0130M00105	CONTROL, DEFROST
571006700	CORE SENSE MODULE
0130R00003	CUT-OUT SWITCH, HIGH PRESSURE
0130M00088	CUT-OUT SWITCH, LOW PRESSURE
PCBDM133	DEFROST CONTROL BOARD
0130M00106	DISC THERMOSTAT(CRNKCS HTR SW)
0150M00018	FAN BLADE 20" (M1, M2, M3, M4)
0150M00012	FAN BLADE 20" CCW (M5, M6)
0150M00008	FAN BLADE 22" TNT2203-25 (M7, M8, M9, M10, M11, M12)
0150M00013	FAN BLADE 26" CCW (M15)
B1086765	FAN BLADE TYPE 3 (M13, M14)
0163R00006	HEATER, CRANKCASE 230V, 40W (M1, M2, M3, M4, M5, M6, M7, M8, M9)
0163R00007	HEATER, CRANKCASE 230V, 40W (M10, M11, M12, M13, M14, M15)
0151M00019	REVERSING VALVE (M7)
0151M00020	REVERSING VALVE (M10, M13, M15)
0151R00068	REVERSING VALVE (M2, M4, M6)
0151R00069	REVERSING VALVE (M8, M9)
0151R00070	REVERSING VALVE (M14)
0151R00071	REVERSING VALVE (M11, M12)
0151M00018	REVERSING VALVE (M1, M3, M5)
B1225022	SOLENOID COIL

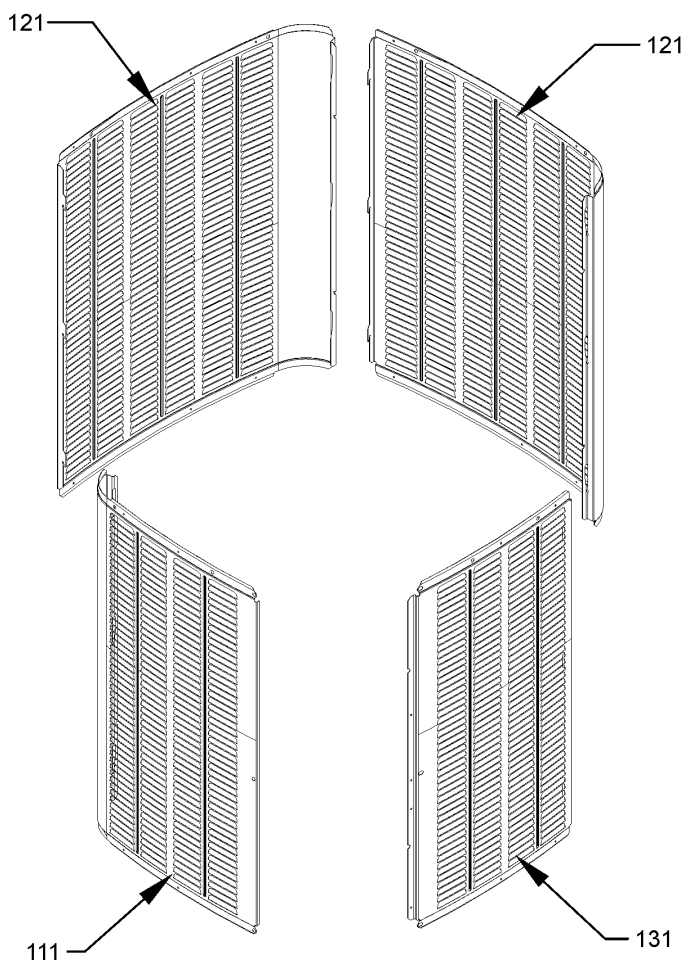
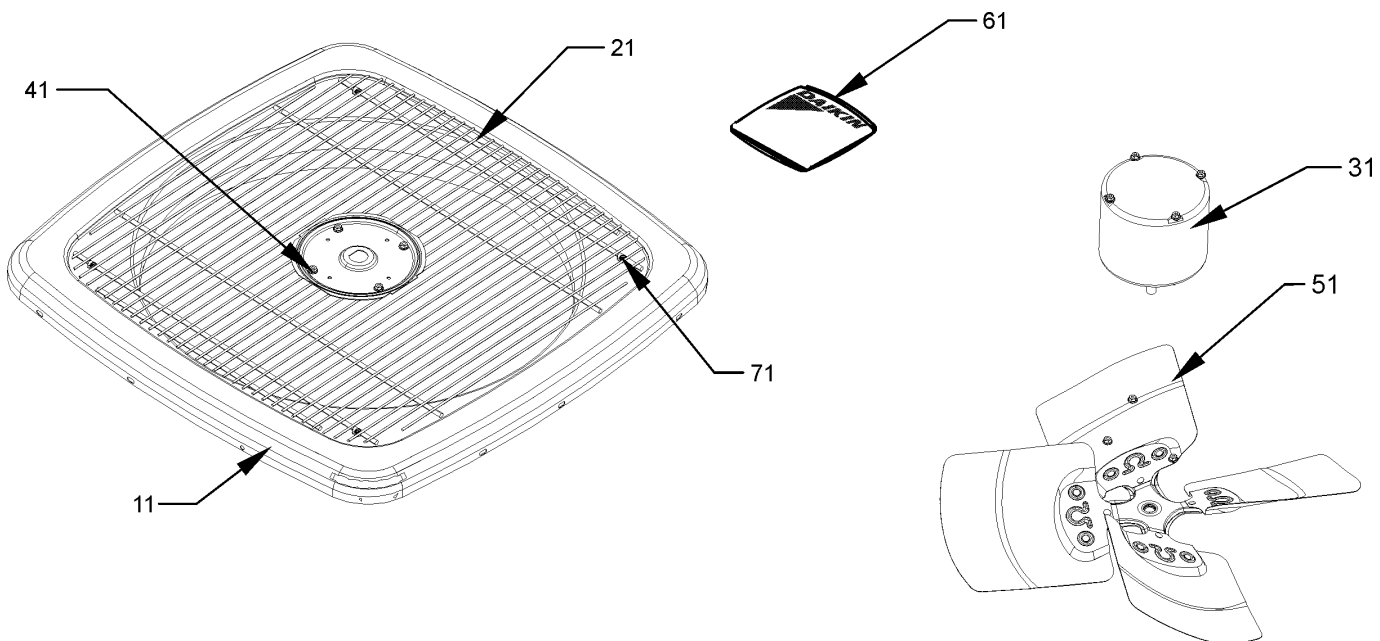
## Expanded Model Nomenclature

M1 - DZ13SA0181AA
M2 - DZ13SA0181AB
M3 - DZ13SA0241AA
M4 - DZ13SA0241AB
M5 - DZ13SA0301AA
M6 - DZ13SA0301AB
M7 - DZ13SA0361AA
M8 - DZ13SA0361AB
M9 - DZ13SA0361AC
M10 - DZ13SA0421AA
M11 - DZ13SA0421AB
M12 - DZ13SA0421AC
M13 - DZ13SA0481AA
M14 - DZ13SA0481AB
M15 - DZ13SA0601AA

## SPECIAL PARTS

0161R00038	GRILL CAP
0161R00036	NAMEPLATE, DAIKIN

# Cabinet Top / Side Panels



# Cabinet Top / Side Panels

Ref. Part No:	Description:	Ref. Part No:	Description:
<i>Image 1:</i>		<b>Expanded Model Nomenclature</b>	
11	0121R00009PNG VENTURI TOP PANEL 26" (M1, M2, M3, M4, M5, M6)	M1 -	DZ13SA0181AA
11	0121R00011PNG VENTURI TOP PANEL 29" (M7, M8, M9, M10, M11, M12, M13, M14)	M2 -	DZ13SA0181AB
11	0121R00013PNG VENTURI TOP PANEL 35" (M15)	M3 -	DZ13SA0241AA
21	0152R00010 GRILLE, WIRE 26" TOP (M1, M2, M3, M4, M5, M6)	M4 -	DZ13SA0241AB
21	0152R00011 GRILLE, WIRE 29" TOP (M7, M8, M9, M10, M11, M12, M13, M14)	M5 -	DZ13SA0301AA
21	0152R00014 GRILLE, WIRE 35" TOP (M15)	M6 -	DZ13SA0301AB
31	0131M00061 COND MOTOR 1/4 HP, 1 SP, 8 PL (M13, M14, M15)	M7 -	DZ13SA0361AA
31	0131M00060 COND MOTOR 1/6 HP, 1 SP, 8 PL (M7, M8, M10, M11)	M8 -	DZ13SA0361AB
31	0131M00266 COND MOTOR 1/8 HP, 8 PL, PSC (M1, M2, M3, M4, M5, M6)	M9 -	DZ13SA0361AC
31	0131M00753 COND MOTOR, 1/6HP, 1SP, 8PL, AL (M9, M12)	M10 -	DZ13SA0421AA
41	M0280801 HEX NUT (QTY 4)	M11 -	DZ13SA0421AB
51	0150M00018 FAN BLADE 20" (M1, M2, M3, M4)	M12 -	DZ13SA0421AC
51	0150M00012 FAN BLADE 20" CCW (M5, M6)	M13 -	DZ13SA0481AA
51	0150M00008 FAN BLADE 22" TNT2203-25 (M7, M8, M9, M10, M11, M12)	M14 -	DZ13SA0481AB
51	0150M00013 FAN BLADE 26" CCW (M15)	M15 -	DZ13SA0601AA
51	B1086765 FAN BLADE TYPE 3 (M13, M14)		
61	0161R00038 GRILL CAP		
71	0163M00003P SCREW #10 X 1/2, A, SLOT, SR, BLACK (QTY 6)		
111	4400457PNGB PANEL 1, BENT LOUVER (M13, M14)		
111	4400458PNGB PANEL 1, BENT LOUVER (M7, M8, M9, M10, M11, M12)		
111	4400402PNGB PANEL 1, BENT LOUVER PNT (M1, M2, M3, M4, M5, M6)		
111	4400463PNGB PANEL 1, BENT LOUVER PNT (M15)		
121	4400407PNGB PANEL 2, BENT LOUVER (M1, M2, M3, M4, M5, M6)		
121	4400459PNGB PANEL 2, BENT LOUVER (M13, M14)		
121	4400465PNGB PANEL 2, BENT LOUVER (M15)		
121	4400460PNGB PANEL 2, BENT LOUVER 29_36 (M7, M8, M9, M10, M11, M12)		
131	4400461PNG PANEL 3, LOUVER 29_32 HRZ (M13, M14)		
131	4400462PNG PANEL 3, LOUVER 29_36 HRZ (M7, M8, M9, M10, M11, M12)		
131	4400412PNG PANEL 3, LOUVER (M1, M2, M3, M4, M5, M6)		
131	4400467PNG PANEL 3, LOUVER (M15)		
NS	0161R00000P CONDUIT (M1, M2, M3, M4, M5, M6)		
NS	0161R00002P CONDUIT (M7, M8, M9, M10, M11, M12, M13, M14)		
NS	0161R00004P CONDUIT (M15)		
NS	0161R00036 NAMEPLATE, DAIKIN		

# Control Panel & Cover / Condenser

Image 1

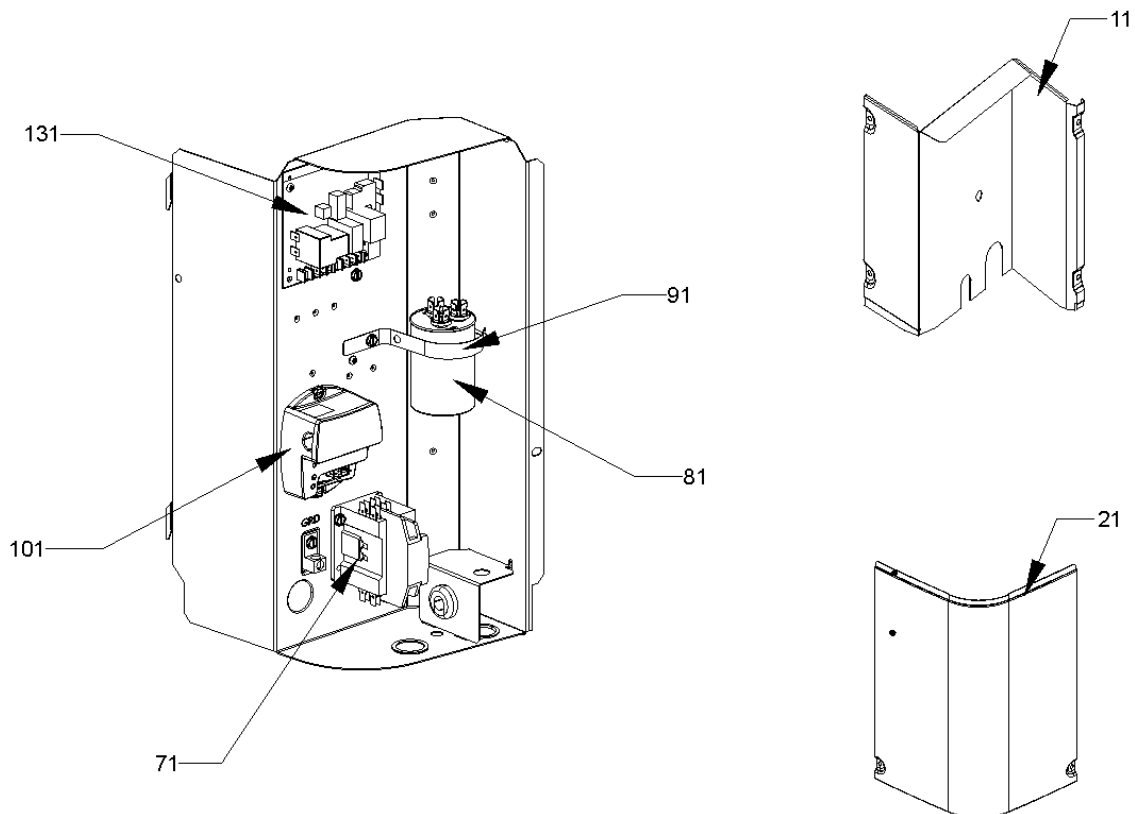
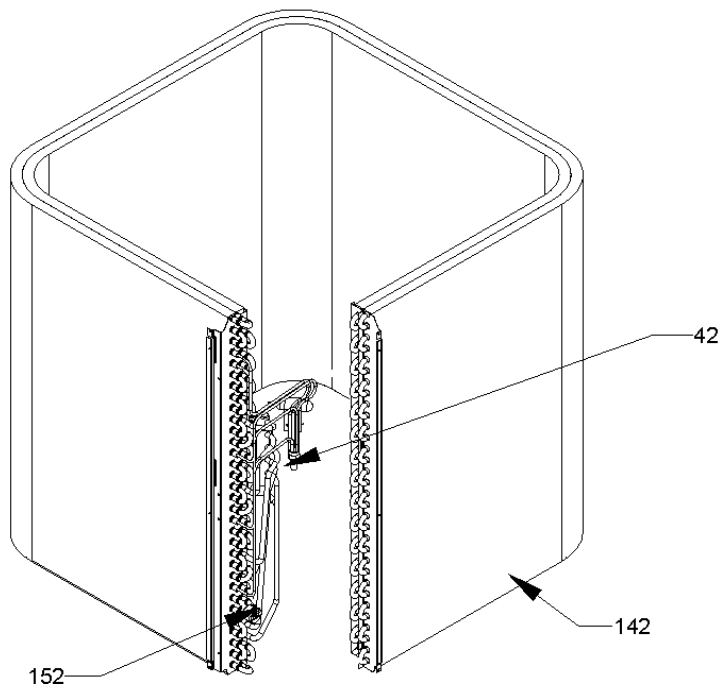


Image 2



# Control Panel & Cover / Condenser

Ref. Part No: No:	Description:	Ref. Part No: No:	Description:
-------------------	--------------	-------------------	--------------

**Image 1:**

11	0121R00318PNG	LOWER ACCESS PANEL (M7, M8, M9, M10, M11, M12)
11	0121R00321PNG	LOWER ACCESS PANEL (M13, M14, M15)
11	0121R00663PNG	LOWER ACCESS PANEL (M1, M2, M3, M4, M5, M6)
21	0121R00053PNG	CONTROL COVER
71	CONT1P025024V	CONTACTOR 25 AMP, 1P, 24V (M1, M2, M3, M4, M5, M6, M7, M8, M9, M10, M11, M12)
71	CONT1P030024V	CONTACTOR 30 AMP, 1P, 24V (M13, M14, M15)
81	CAP050300440CS	CAP.5/30MFD/440V/DUAL RD (M1, M2)
81	CAP050400440CT	CAPACITOR 5/40/440V/DUAL RD (M3, M4, M5, M6)
81	CAP050450440CT	CAPACITOR 5/45/440V/DUAL RD (M7, M8, M9, M10, M11, M12, M13, M14)
81	CAP050700440CT	CAPACITOR 5/70/440V/DUAL RD (M15)
91	4400065	CAPACITOR STRAP
101	571006700	CORE SENSE MODULE
131	PCBDM133	DEFROST CONTROL BOARD

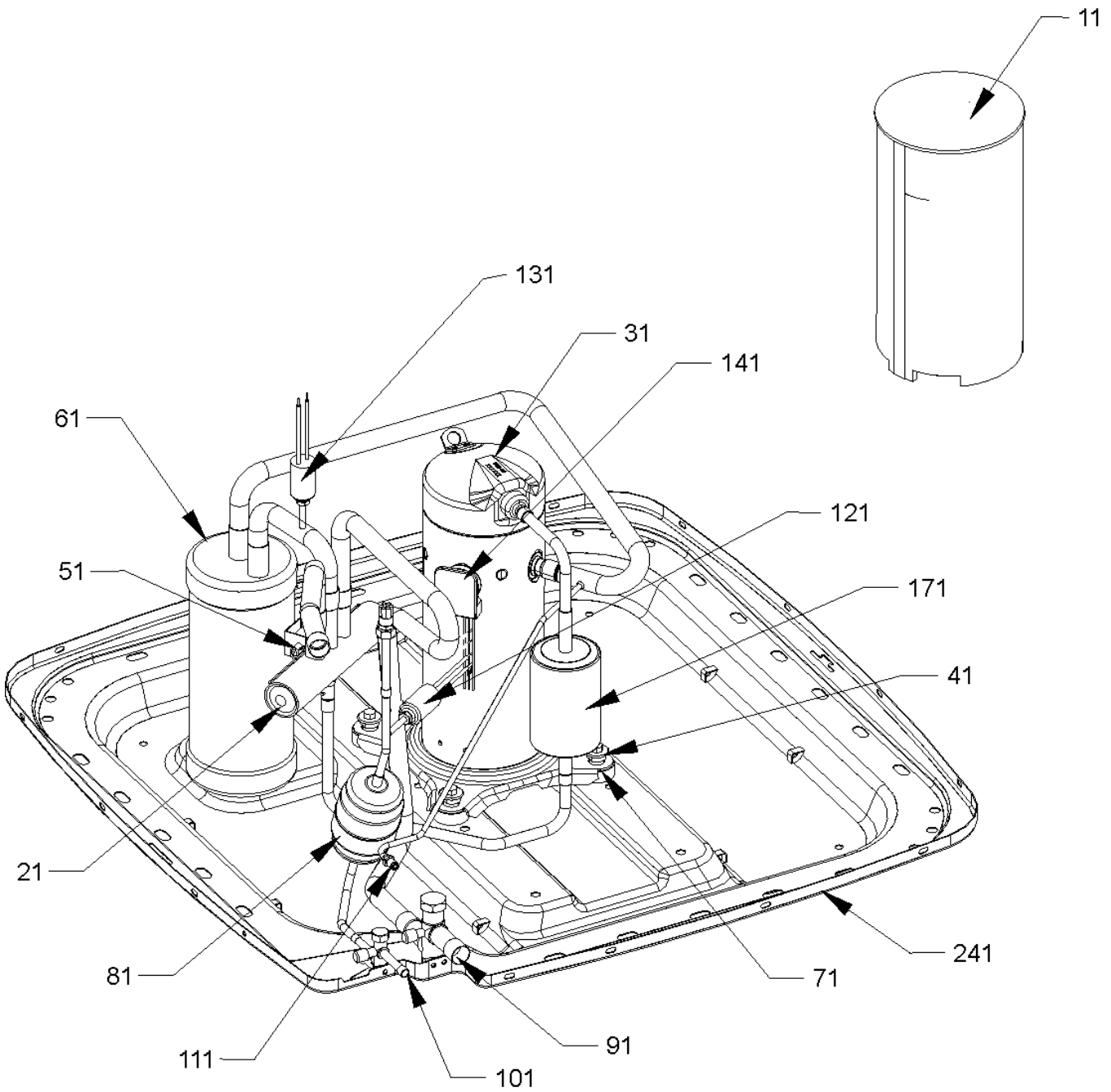
**Image 2:**

42	B1789872	FLOW CHECK PISTON KIT (M10, M11, M12)
42	B1789851	FLOW CHECK PISTON KIT .051 (M1, M2)
42	B1789857	FLOW CHECK PISTON KIT .057 (M3, M4)
42	B1789865	FLOW CHECK PISTON KIT .065 (M5, M6)
42	B1789868	FLOW CHECK PISTON KIT .068 (M7, M8, M9)
42	B1789878	FLOW CHECK PISTON KIT .078 (M13, M14)
42	B1789888	FLOW CHECK PISTON KIT .088 (M15)
142	0201R00150S	TUBING ASSY, COND COIL (M1, M2)
142	0201R00151S	TUBING ASSY, COND COIL (M7, M8, M9)
142	0201R00152S	TUBING ASSY, COND COIL (M10, M11, M12)
142	0201R00154S	TUBING ASSY, COND COIL (M13, M14)
142	0201R00155S	TUBING ASSY, COND COIL (M15)
142	0201R00324	TUBING ASSY, COND COIL (M3, M4)
142	0201R00325	TUBING ASSY, COND COIL (M5, M6)
152	0130M00105	CONTROL, DEFROST

**Expanded Model Nomenclature**

M1 - DZ13SA0181AA
M2 - DZ13SA0181AB
M3 - DZ13SA0241AA
M4 - DZ13SA0241AB
M5 - DZ13SA0301AA
M6 - DZ13SA0301AB
M7 - DZ13SA0361AA
M8 - DZ13SA0361AB
M9 - DZ13SA0361AC
M10 - DZ13SA0421AA
M11 - DZ13SA0421AB
M12 - DZ13SA0421AC
M13 - DZ13SA0481AA
M14 - DZ13SA0481AB
M15 - DZ13SA0601AA

# Basepan / Compressor / Tubing Assy



# Basepan / Compressor / Tubing Assy

Ref. Part No: No:	Description:	Ref. Part No: No:	Description:
<i>Image 1:</i>		<b>Expanded Model Nomenclature</b>	
11	B1488806	COMPRESSOR SOUND BLANKET (M15)	M1 - DZ13SA0181AA
11	B1488807	COMPRESSOR SOUND BLANKET (M10, M11, M12, M13, M14)	M2 - DZ13SA0181AB
11	B1488810	COMPRESSOR SOUND BLANKET (M1, M2, M3, M4, M5, M6, M7, M8, M9)	M3 - DZ13SA0241AA
21	0151M00018	REVERSING VALVE (M1, M3, M5)	M4 - DZ13SA0241AB
21	0151M00019	REVERSING VALVE (M7)	M5 - DZ13SA0301AA
21	0151M00020	REVERSING VALVE (M10, M13, M15)	M6 - DZ13SA0301AB
21	0151R00068	REVERSING VALVE (M2, M4, M6)	M7 - DZ13SA0361AA
21	0151R00069	REVERSING VALVE (M8, M9)	M8 - DZ13SA0361AB
21	0151R00070	REVERSING VALVE (M14)	M9 - DZ13SA0361AC
21	0151R00071	REVERSING VALVE (M11, M12)	M10 - DZ13SA0421AA
31	ZP16K5EPFV130	COMPRESSOR 15500, 208/230/60/1 (M1, M2)	M11 - DZ13SA0421AB
31	ZP21K5EPFV130	COMPRESSOR 21300, 208/230/60/1 (M3, M4)	M12 - DZ13SA0421AC
31	ZP25K5EPFV130	COMPRESSOR 25200, 208/230/60/1 (M5, M6)	M13 - DZ13SA0481AA
31	ZP31K5EPFV130	COMPRESSOR 31100, 208/230/60/1 (M7, M8, M9)	M14 - DZ13SA0481AB
31	ZP34K5EPFV130	COMPRESSOR 34500, 208/230/60/1 (M10, M11, M12)	M15 - DZ13SA0601AA
31	ZP39K5EPFV130	COMPRESSOR 39000, 208/230/60/1 (M13, M14)	
31	ZP51K5EPFV130	COMPRESSOR 51000, 208/230/60/1 (M15)	
41	M0221641	TF SHOULDER SCREW (QTY 4)	
51	B1225020	SOLENOID COIL CORD W/1/4" TERMINAL (M1, M3, M5, M7, M10)	
51	0130M00083	SOLENOID HARNESS W/1/4" TERM (M2, M4, M6, M8, M9, M11, M12, M13, M14, M15)	
61	B1226206	ACCUMULATOR (M1, M2, M3, M4, M5, M6)	
61	0151R00004P	ACCUMULATOR .750 (M7, M8, M9)	
61	B1226207	ACCUMULATOR .875 (M10, M11, M12, M13, M14, M15)	
71	B1339533	COMPRESSOR GROMMET (QTY 4)	
81	20485201	BI-FLOW FILTER DRIER	
91	0151R00079	BASE VALVE 3/4" (M1, M2, M3, M4, M5, M6, M7, M8, M9)	
91	0151R00080	BASE VALVE 7/8" (M10, M11, M12, M13, M14, M15)	
101	0151R00078	BASE VALVE 3/8"	
111	B1787000	VALVE CORE	
121	0130R00003	CUT-OUT SWITCH, HIGH PRESSURE	
131	0130M00088	CUT-OUT SWITCH, LOW PRESSURE	
141	0159R00000P	COMPRESSOR SCROLL HARNESS (M1, M2, M3, M4, M5, M6)	
141	0159R00001P	COMPRESSOR SCROLL HARNESS (M7, M8, M9, M10, M11, M12, M13, M14)	
141	0159R00002P	COMPRESSOR SCROLL HARNESS (M15)	
171	0162R00007	MUFFLER 1/2 X 1/2	
241	0121R00005PNG	BASE PAN 26" (M1, M2, M3, M4, M5, M6)	
241	0121R00006PNG	BASE PAN 29" (M7, M8, M9, M10, M11, M12, M13, M14)	
241	0121R00007PNG	BASE PAN 35" (M15)	
NS	0130M00106	DISC THERMOSTAT(CRNKCS HTR SW)	
NS	0163R00006	HEATER, CRANKCASE 230V, 40W (M1, M2, M3, M4, M5, M6, M7, M8, M9)	
NS	0163R00007	HEATER, CRANKCASE 230V, 40W (M10, M11, M12, M13, M14, M15)	
NS	B1225022	SOLENOID COIL	