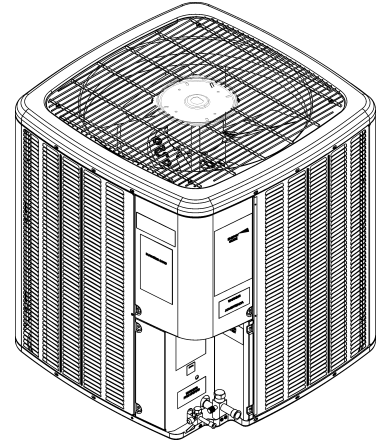


**DZ14SA Remote Heat Pump**

DX16SA0181AC  
DX16SA0241AE  
DX16SA0301AE  
DX16SA0311AC  
DX16SA0361AC  
DX16SA0371AC  
DX16SA0421AD  
DX16SA0481AE  
DX16SA0601AD  
DX16SA0611AD  
DZ14SA0181KE  
DZ14SA0181KF  
DZ14SA0241KD  
DZ14SA0241KE  
DZ14SA0301KD  
DZ14SA0301KE  
DZ14SA0361KD  
DZ14SA0361KE  
DZ14SA0381AD  
DZ14SA0421KD  
DZ14SA0421KE  
DZ14SA0421KF  
DZ14SA0481KC  
DZ14SA0481KD  
DZ14SA0481KE  
DZ14SA0491KD  
DZ14SA0491KE  
DZ14SA0491KF  
DZ14SA0601KC  
DZ14SA0601KD



This manual is to be used by qualified technicians only.

This manual replaces RP-D4320B.

# Important Information

---

## Index

Functional Parts List .....	3
Illustration and Parts .....	4 - 9

*Views shown are for parts illustrations only, not servicing procedures.*

### Text Codes:

AR - As Required

NA - Not Available

NS - Not Shown

00000000 - See Note

QTY - Quantity Example (QTY 3) (If Quantity not shown, Quantity = 1)

M - Model Example (M1) (If M Code not shown, then part is used on all Models)

### Expanded Model Nomenclature:

Example
M1 - Model#1
M2 - Model#2
M3 - Model#3

Daikin Comfort Technologies Manufacturing , L.P. is not responsible for personal injury or property damage resulting from improper service. Review all service information before beginning repairs.

Warranty service must be performed by an authorized technician, using authorized factory parts. If service is required after the warranty expires, Daikin Comfort Technologies Manufacturing , L.P. also recommends contacting an authorized technician and using authorized factory parts.

Daikin Comfort Technologies Manufacturing , L.P. reserves the right to discontinue, or change at any time, specifications or designs without notice or without incurring obligations.

For assistance within the U.S.A. contact:  
Homeowner Support  
Daikin Comfort Technologies Manufacturing , L.P.  
19001 Kermier Road  
Waller, Texas 77484  
855-770-5678-Telephone  
713-863-2382-Facsimile

For assistance outside the U.S.A. contact:  
International Division  
Daikin Comfort Technologies Manufacturing , L.P.  
19001 Kermier Road  
Waller, Texas 77484  
713-861-2500-Telephone  
713-863-2382-Facsimile

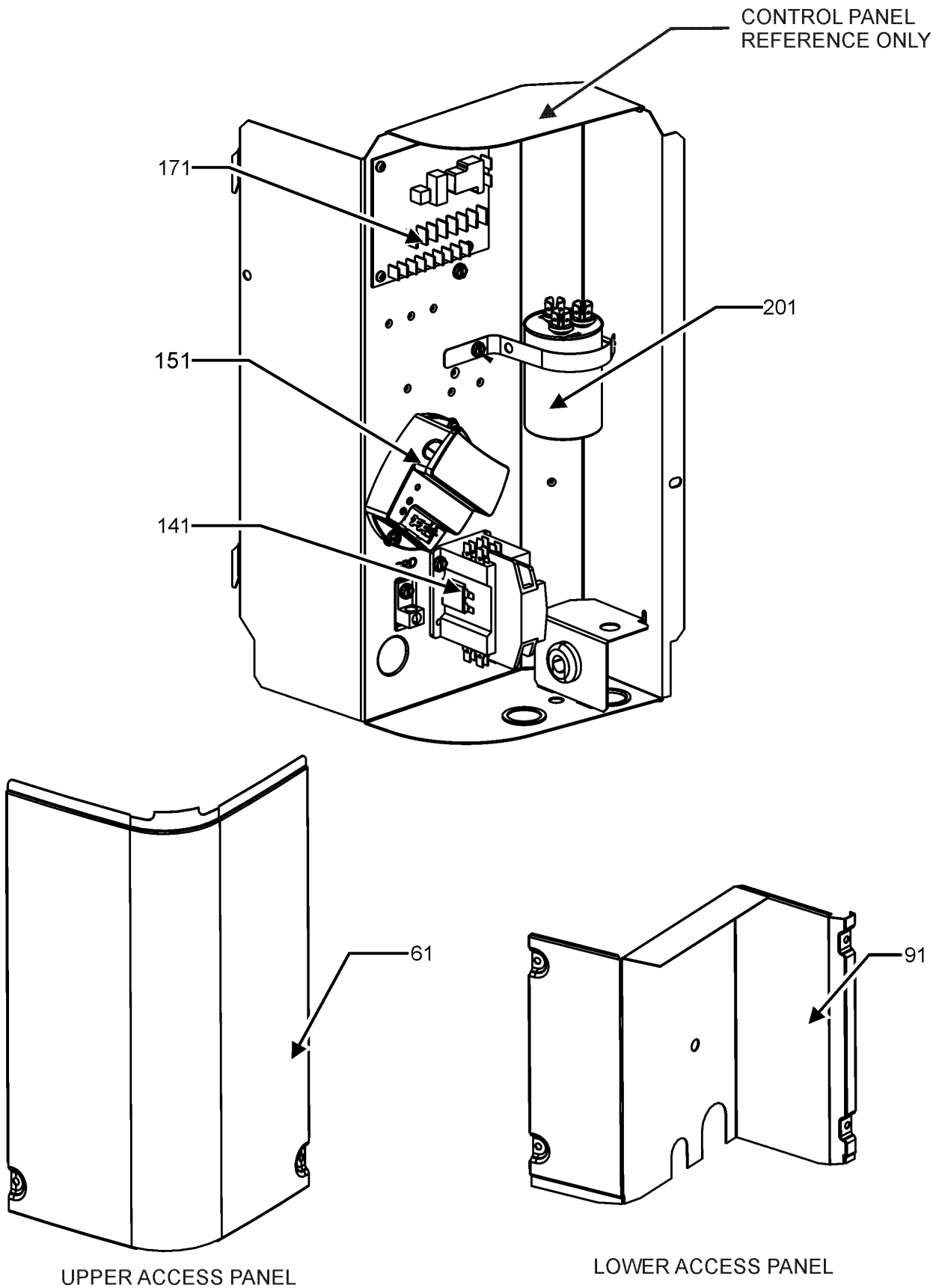
# Functional Parts

## Part

### No: Description:

Part No:	Description:	Part No:	Description:
0151R00187	BASE VALVE 3/8"	PCBDM133	PCB, DEFROST CONTROL (M11, M12, M13, M14, M15, M16, M17, M18, M19, M20, M21, M22, M23, M24, M25, M26, M27, M28, M29, M30)
CAP050350440CS	CAP, 5/35 MFD/440V/DUAL RD (M2, M13, M14, M15, M16)	0151R00069	REVERSING VALVE (M15, M16, M17, M18)
CAB050400440CT	CAP, 5/40 MFD/440V RD - BPRF (M3, M4)	0151R00071	REVERSING VALVE (M19, M20, M21, M22, M23, M24, M25, M26, M27, M28, M29, M30)
CAB050450440CT	CAP, 5/45 MFD/440V RD - BPRF (M5, M6, M7, M8, M17, M18, M19, M20, M21, M22, M23, M24, M25, M26, M27, M28)	0151R00068	REVERSING VALVE (M11, M12, M13, M14)
CAB050700440CT	CAP, 5/70 MFD/440V RD - BPRF (M9, M10, M29, M30)	B1225022	SOLENOID COIL
CAP050300440CS	CAP,5/30MFD/440V/DUAL RD (M1, M11, M12)	0130R00056	SW-CUTOFF HI PRESS (M1, M2, M3, M4, M5, M6, M7, M8, M9, M10)
ZP14K5EPFV130	COMP, 14650,208/230/60/1 (M1)	0130M00088	SW-CUTOFF LOW PRESS (M11, M12, M13, M14, M15, M16, M17, M18, M19, M20, M21, M22, M23, M24, M25, M26, M27, M28, M29, M30)
ZP14K6EPFV120	COMP, 20200, 208/230/60/1 (M11, M12)	0130M00347	SWITCH, LOW PRESSURE (M9)
ZP20K6EPFV120	COMP, 27200, 208/230/60/1 (M13, M14)		
ZP25K6EPFV120	COMP, 34200, 208/230/60/1 (M15, M16)		
ZP31K6EPFV120	COMP, 42500, 208/230/60/1 (M6, M17, M18)		
ZP34K6EPFV120	COMP, 46500, 208/230/60/1 (M20, M21, M22)		
ZP40K6EPFV120	COMP, 53700, 208/230/60/1 (M23, M24, M25)		
ZP20K5EPFV130	COMP,20000,208/230/60/1 (M2)		
ZP24K5EPFV130	COMP,24000,208/230/60/1 (M3, M4)		
ZP29K5EPFV130	COMP,29000,208/230/60/1 (M5, M19)		
ZP34K5EPFV130	COMP,34500,208/230/60/1 (M7)		
ZP36K5EPFV130	COMP,36200,208/230/60/1 (M8)		
ZP39K5EPFV130	COMP,39000,208/230/60/1 (M26, M27, M28)		
ZP44K5EPFV130	COMP,44400,280/230/60/1 (M9)		
ZP49K5EPFV130	COMP,49400,208/230/60/1 (M10)		
ZP51K5EPFV130	COMP,51000,208/230/60/1 (M29, M30)		
CONT1P030024V	CONT, 1 POLE, 30 AMP, 24 VAC		
0130M00250	CONTROL, DEFROST (M11, M12, M13, M14, M15, M16, M17, M18, M20, M21, M22, M23, M24, M25, M26, M27, M28, M29, M30)		
0130M00105	CONTROL, DEFROST (M19)		
571006600	CoreSense Module (M1, M2, M3, M4, M5, M6, M7, M8, M9, M10)		
571006700	CoreSense Module (M11, M12, M13, M14, M15, M16, M17, M18, M19, M20, M21, M22, M23, M24, M25, M26, M27, M28, M29, M30)		
0130M00106	DISC THERMOSTAT(CRNKCS HTR SW) (M11, M12, M13, M14, M15, M16, M17, M18, M19, M20, M21, M22, M23, M24, M25, M26, M27, M28, M29, M30)		
0131M00761	ECM MOTOR - PROGRAMMED (IGBT) (M9)		
0163R00003	HEATER, CRANKCASE 230V 40W (M9)		
0163R00006	HEATER, CRANKCASE 230V, 40W (M11, M12, M13, M14, M15, M16, M17, M18, M19)		
0163R00007	HEATER, CRANKCASE 230V, 40W (M20, M21, M22, M23, M24, M25, M26, M27, M28, M29, M30)		
0130R00003	HIGH PRESSURE SWITCH (M11, M12, M13, M14, M15, M16, M17, M18, M19, M20, M21, M22, M23, M24, M25, M26, M27, M28, M29, M30)		
0130M00082	LOW PRESSURE SWITCH (M1, M2, M3, M4, M5, M6, M7, M8, M10)		
0131M00807	MOTOR, 1/4HP, 1SP, 8PL, AL (M8, M10, M23, M24, M25, M29, M30)		
0131M00012P	MOTOR, 1/6HP, 1SP, 8PL (M19)		
0131M00753	MOTOR, 1/6HP, 1SP, 8PL, AL (M1, M2, M3, M4, M5, M6, M7, M11, M12, M13, M14, M15, M16, M17, M18)		
0131M00945	MOTOR, 1/6HP, 8PL (M22, M28)		
0131M00754	MOTOR, PSC, 1/6HP, 8PL (M20, M21, M26, M27)		
		<b>SPECIAL PARTS</b>	
		0161R00095	CAP, GRILL
		0161R00093	NAMEPLATE, DAIKIN
		<b>Expanded Model Nomenclature</b>	
		M1 - DX16SA0181AC	
		M2 - DX16SA0241AE	
		M3 - DX16SA0301AE	
		M4 - DX16SA0311AC	
		M5 - DX16SA0361AC	
		M6 - DX16SA0371AC	
		M7 - DX16SA0421AD	
		M8 - DX16SA0481AE	
		M9 - DX16SA0601AD	
		M10 - DX16SA0611AD	
		M11 - DZ14SA0181KE	
		M12 - DZ14SA0181KF	
		M13 - DZ14SA0241KD	
		M14 - DZ14SA0241KE	
		M15 - DZ14SA0301KD	
		M16 - DZ14SA0301KE	
		M17 - DZ14SA0361KD	
		M18 - DZ14SA0361KE	
		M19 - DZ14SA0381AD	
		M20 - DZ14SA0421KD	
		M21 - DZ14SA0421KE	
		M22 - DZ14SA0421KF	
		M23 - DZ14SA0481KC	
		M24 - DZ14SA0481KD	
		M25 - DZ14SA0481KE	
		M26 - DZ14SA0491KD	
		M27 - DZ14SA0491KE	
		M28 - DZ14SA0491KF	
		M29 - DZ14SA0601KC	
		M30 - DZ14SA0601KD	

# Control Panel Assembly



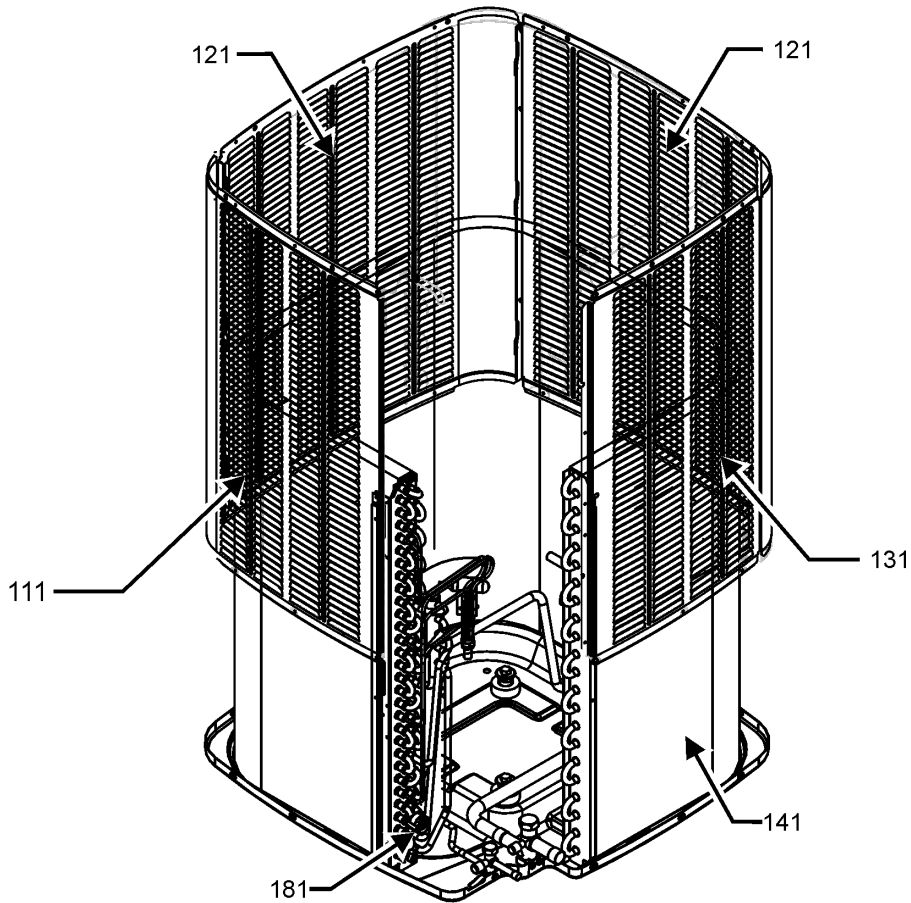
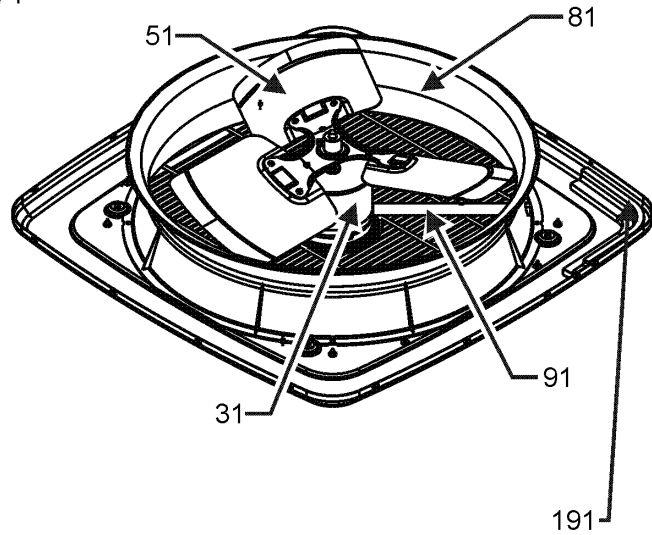
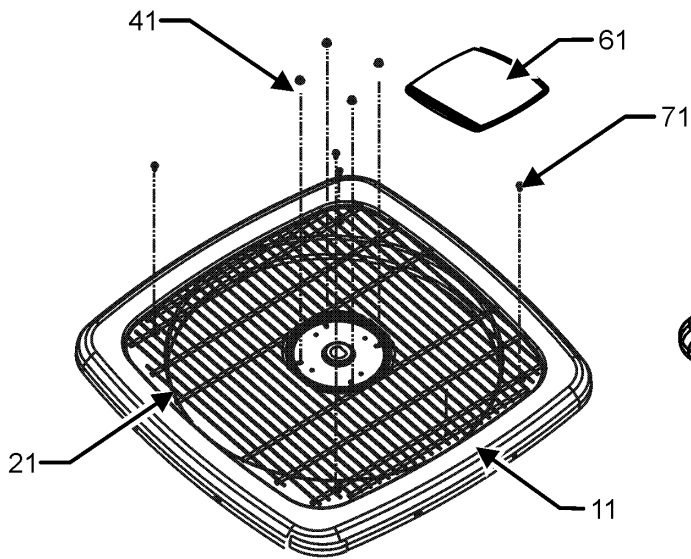
# Control Panel Assembly

Ref. Part No:	Ref. Part No:	Description:	Description:
<b>Image 1:</b>		<b>Expanded Model Nomenclature</b>	
81	0121R00937PNG	CONTROL COVER, SMALL PNT	M1 - DX16SA0181AC
91	0121R00907PNG	PNL, LWR ACCESS (M15, M16, M17, M18, M23, M24, M25)	M2 - DX16SA0241AE
91	0121R00909PNG	PNL, LWR ACCESS (M4, M5, M8, M10)	M3 - DX16SA0301AE
91	0121R00911PNG	PNL, LWR ACCESS (M9, M19)	M4 - DX16SA0311AC
91	0121R00912PNG	PNL, LWR ACCESS (M3, M6, M7)	M5 - DX16SA0361AC
91	0121R00916PNG	PNL, LWR ACCESS (M20, M21, M22)	M6 - DX16SA0371AC
91	0121R00917PNG	PNL, LWR ACCESS (M11, M12, M13, M14, M26, M27, M28, M29, M30)	M7 - DX16SA0421AD
91	0121R00919PNG	PNL, LWR ACCESS (M1, M2)	M8 - DX16SA0481AE
141	CONT1P030024V	CONT, 1 POLE, 30 AMP, 24 VAC	M9 - DX16SA0601AD
151	571006600	CoreSense Module (M1, M2, M3, M4, M5, M6, M7, M8, M9, M10)	M10 - DX16SA0611AD
151	571006700	CoreSense Module (M11, M12, M13, M14, M15, M16, M17, M18, M19, M20, M21, M22, M23, M24, M25, M26, M27, M28, M29, M30)	M11 - DZ14SA0181KE
171	PCBDM133	PCB, DEFROST CONTROL (M11, M12, M13, M14, M15, M16, M17, M18, M19, M20, M21, M22, M23, M24, M25, M26, M27, M28, M29, M30)	M12 - DZ14SA0181KF
201	CAP050350440CS	CAP, 5/35 MFD/440V/DUAL RD (M2, M13, M14, M15, M16)	M13 - DZ14SA0241KD
201	CAB050400440CT	CAP, 5/40 MFD/440V RD - BPRF (M3, M4)	M14 - DZ14SA0241KE
201	CAB050450440CT	CAP, 5/45 MFD/440V RD - BPRF (M5, M6, M7, M8, M17, M18, M19, M20, M21, M22, M23, M24, M25, M26, M27, M28)	M15 - DZ14SA0301KD
201	CAB050700440CT	CAP, 5/70 MFD/440V RD - BPRF (M9, M10, M29, M30)	M16 - DZ14SA0301KE
201	CAP050300440CS	CAP, 5/30MFD/440V/DUAL RD (M1, M11, M12)	M17 - DZ14SA0361KD
NS	4400065	CAPACITOR STRAP	M18 - DZ14SA0361KE
NS	0161R00093	NAMEPLATE, DAIKIN	M19 - DZ14SA0381AD
			M20 - DZ14SA0421KD
			M21 - DZ14SA0421KE
			M22 - DZ14SA0421KF
			M23 - DZ14SA0481KC
			M24 - DZ14SA0481KD
			M25 - DZ14SA0481KE
			M26 - DZ14SA0491KD
			M27 - DZ14SA0491KE
			M28 - DZ14SA0491KF
			M29 - DZ14SA0601KC
			M30 - DZ14SA0601KD

# Top and Louver Panel Assembly

TOP PANEL ASSEMBLY  
TOP VIEW

TOP PANEL ASSEMBLY  
BOTTOM VIEW



LOUVER PANEL ASSEMBLY

# Top and Louver Panel Assembly

Ref. Part No:	No:	Description:	Ref. Part No:	No:	Description:
<i>Image 1:</i>			<i>Image 1:</i>		
11	0121R00576PNG	TOP PANEL PAINTED, 29" (M4, M11, M12, M13, M14, M15, M16, M17, M18, M23, M24, M25)	121	0121R00204PNG	LOUVER, SIDE PANEL (M1, M2)
11	0121R00577PNG	TOP PANEL PAINTED, 35" (M20, M21, M22, M26, M27, M28, M29, M30)	121	0121R00205PNG	LOUVER, SIDE PANEL (M3)
11	0121R00011PNG	TOP PANEL, VENTURI 29" PNT (M1, M2, M3, M5)	121	0121R00206PNG	LOUVER, SIDE PANEL (M4, M5)
11	0121R00013PNG	TOP PANEL, VENTURI 35" PNT (M6, M7, M8, M9, M10, M19)	121	0121R00244PNG	LOUVER, SIDE PANEL, PNT (M8, M10)
21	0152R00015	GRILLE, WIRE 29" TOP (M1, M2, M3, M4, M5, M11, M12, M13, M14, M15, M16, M17, M18, M23, M24, M25)	121	0121R00925PNG	PANEL 2, LOUVER 29_34.64 PNT (M11, M12, M13, M14)
21	0152R00016	GRILLE, WIRE 35" TOP (M6, M7, M8, M9, M10, M19, M20, M21, M22, M26, M27, M28, M29, M30)	121	0121R00590PNG	PANEL 2, LOUVER 29_36.38 PNT (M15, M16, M17, M18, M23, M24, M25)
31	0131M00761	ECM MOTOR - PROGRAMMED (IGBT) (M9)	121	0121R00243PNG	PANEL 2, LOUVER 35, 5MM, PNT (M6, M7)
31	0131M00807	MOTOR, 1/4HP, 1SP, 8PL, AL (M8, M10, M23, M24, M25, M29, M30)	121	0121R00928PNG	PANEL 2, LOUVER 35_34.64 PNT (M26, M27, M28, M29, M30)
31	0131M00012P	MOTOR, 1/6HP, 1SP, 8PL (M19)	121	0121R00514PNG	PANEL 2, LOUVER 35_39.84 PNT (M20, M21, M22)
31	0131M00753	MOTOR, 1/6HP, 1SP, 8PL, AL (M1, M2, M3, M4, M5, M6, M7, M11, M12, M13, M14, M15, M16, M17, M19)	121	4400466PNG	PANEL 2, LOUVER 35_36 HRZ PNT (M9, M19)
31	0131M00945	MOTOR, 1/6HP, 8PL (M22, M28)	131	0121R00193PNG	LOUVER, SIDE PANEL (M1, M2)
31	0131M00754	MOTOR, PSC, 1/6HP, 8PL (M20, M21, M26, M27)	131	0121R00194PNG	LOUVER, SIDE PANEL (M3)
41	M0280801	HEX NUT (M1, M2, M3, M4, M5, M6, M7, M8, M10, M11, M12, M13, M14, M15, M16, M17, M18, M19, M20, M21, M22, M23, M24, M25, M26, M27, M28, M29, M30)	131	0121R00195PNG	LOUVER, SIDE PANEL (M4, M5)
51	0150M00010	BLADE-FAN 26" ALUM CCW (M9)	131	0121R00248PNG	LOUVER, SIDE PANEL, PNT (M8, M10)
51	0150M00008	FAN BLADE, 22" TNT2203-25 (M1, M2, M3, M4, M5, M11, M12, M13, M14, M15, M16, M17, M18)	131	0121R00926PNG	PANEL 3, LOUVER 29_34.64 PNT (M11, M12, M13, M14)
51	0150M00054	FAN BLADE, 26" (M20, M21, M26, M27)	131	0121R00591PNG	PANEL 3, LOUVER 29_36.38 PNT (M15, M16, M17, M18, M23, M24, M25)
51	0150M00066	FAN BLADE, 26" (M6, M7, M8, M10, M19, M22, M28, M29, M30)	131	0121R00247PNG	PANEL 3, LOUVER 35, 5MM, PNT (M6, M7)
51	B1086765	FAN BLADE, TYPE 3 (M23, M24, M25)	131	0121R00929PNG	PANEL 3, LOUVER 35_34.64 PNT (M26, M27, M28, M29, M30)
61	0161R00095	CAP, GRILL	141	0121R00603PNG	PANEL 3, LOUVER 35_39.84 PNT (M20, M21, M22)
71	0163M00003P	SCREW #10 X 1/2, A, SLOT, SR, BLACK (QTY 6)	141	4400468PNG	PANEL 3, LOUVER 35_36 HRZ PNT (M9, M19)
81	0161R00048	MOLDED RING-VENTURI 22 (M4, M11, M12, M13, M14, M15, M16, M17, M18, M23, M24, M25)	141	0201R00296	COIL TUBING ASSEMBLY (M1, M2)
81	0161R00049	MOLDED RING-VENTURI 26" (M20, M21, M22, M26, M27, M28, M29, M30)	141	0201R00236	COIL TUBING ASSY (M4, M5)
91	0161R00002P	CONDUIT (M1, M2, M3, M4, M5, M11, M12, M13, M14, M15, M16, M17, M18, M23, M24, M25)	141	0201R00311	COIL TUBING ASSY (M6, M7)
91	0161R00004P	CONDUIT (M6, M7, M8, M10, M19, M20, M21, M22, M26, M27, M28, M29, M30)	141	0201R00433	COIL TUBING ASSY (M8, M10)
111	0121R00200PNG	LOUVER, SIDE PANEL (M1, M2)	141	0201R00515	COIL TUBING ASSY (M20, M21, M22)
111	0121R00202PNG	LOUVER, SIDE PANEL (M3)	141	0201R00537	COIL TUBING ASSY (M19)
111	0121R00203PNG	LOUVER, SIDE PANEL (M4, M5)	141	0201R00567	COIL TUBING ASSY (M26, M27, M28, M29, M30)
111	0121R00240PNG	LOUVER, SIDE PANEL, PNT (M8, M10)	141	0201R00581	COIL TUBING ASSY (M23, M24, M25)
111	0121R00927PNG	PANEL 1, LOUVER 35_34.64 PNT (M26, M27, M28, M29, M30)	141	0201R00668	COIL TUBING ASSY (M11, M12)
111	0121R00924PNG	PANEL 1, LOUVER 29_34.64 PNT (M11, M12, M13, M14)	141	0201R00669	COIL TUBING ASSY (M13, M14)
111	0121R00589PNG	PANEL 1, LOUVER 29_36.38 PNT (M15, M16, M17, M18, M23, M24, M25)	141	0201R00670	COIL TUBING ASSY (M15, M16)
111	0121R00239PNG	PANEL 1, LOUVER 35, 5MM, PNT (M6, M7)	141	0201R00671	COIL TUBING ASSY (M17, M18)
111	0121R00601PNG	PANEL 1, LOUVER 35_39.84 PNT (M20, M21, M22)	141	0201R00750	COIL TUBING ASSY (M3)
111	4400464PNG	PANEL 1, LOUVER 35_36 HRZ PNT (M9, M19)	181	0130M00105	CONTROL, DEFROST (M19)
			181	0130M00250	CONTROL, DEFROST (M11, M12, M13, M14, M15, M16, M17, M18, M20, M21, M22, M23, M24, M25, M26, M27, M28, M29, M30)
			191	0154R00045	GASKET, CONTROL PANEL
			NS	B1789849	FLOW CHECK PISTON (M1)
			NS	B1789851	FLOW CHECK PISTON KIT (M11, M12)
			NS	B1789857	FLOW CHECK PISTON KIT (M2, M13, M14)
			NS	B1789865	FLOW CHECK PISTON KIT (M3, M4, M15, M16)
			NS	B1789872	FLOW CHECK PISTON KIT (M5, M6, M17, M18, M19)
			NS	B1789874	FLOW CHECK PISTON KIT (M7)
			NS	B1789878	FLOW CHECK PISTON KIT (M8, M20, M21, M22)
			NS	B1789880	FLOW CHECK PISTON KIT (M23, M24, M25, M26, M27, M28)
			NS	B1789886	FLOW CHECK PISTON KIT (M9)

# Top and Louver Panel Assembly

**Ref. Part**

**No: No:**

**Description:**

**Ref. Part**

**No: No:**

**Description:**

---

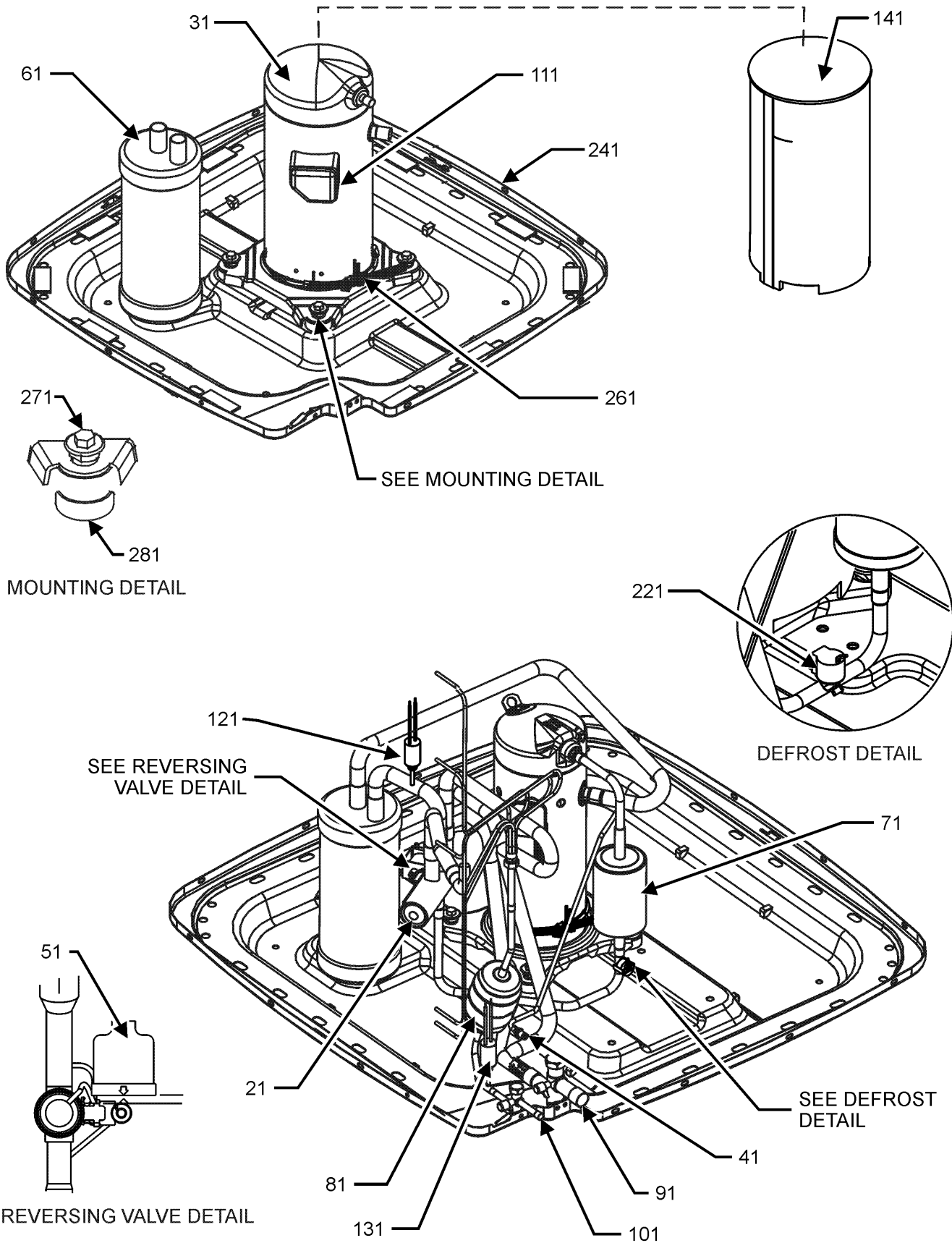
**Image 1:**

NS B1789888 FLOW CHECK PISTON KIT (M10, M29, M30)

**Expanded Model Nomenclature**

M1 - DX16SA0181AC
M2 - DX16SA0241AE
M3 - DX16SA0301AE
M4 - DX16SA0311AC
M5 - DX16SA0361AC
M6 - DX16SA0371AC
M7 - DX16SA0421AD
M8 - DX16SA0481AE
M9 - DX16SA0601AD
M10 - DX16SA0611AD
M11 - DZ14SA0181KE
M12 - DZ14SA0181KF
M13 - DZ14SA0241KD
M14 - DZ14SA0241KE
M15 - DZ14SA0301KD
M16 - DZ14SA0301KE
M17 - DZ14SA0361KD
M18 - DZ14SA0361KE
M19 - DZ14SA0381AD
M20 - DZ14SA0421KD
M21 - DZ14SA0421KE
M22 - DZ14SA0421KF
M23 - DZ14SA0481KC
M24 - DZ14SA0481KD
M25 - DZ14SA0481KE
M26 - DZ14SA0491KD
M27 - DZ14SA0491KE
M28 - DZ14SA0491KF
M29 - DZ14SA0601KC
M30 - DZ14SA0601KD

# Compressor and Tubing Assembly



# Compressor and Tubing Assembly

Ref. Part No:	No:	Description:	Ref. Part No:	No:	Description:
<i>Image 1:</i>			<i>Image 1:</i>		
21	0151R00068	REVERSING VALVE (M11, M12, M13, M14)	121	0130M00088	SW-CUTOFF LOW PRESS (M11, M12, M13, M14, M15, M16, M17, M18, M19, M20, M21, M22, M23, M24, M25, M26, M27, M28, M29, M30)
21	0151R00069	REVERSING VALVE (M15, M16, M17, M18)			
21	0151R00071	REVERSING VALVE (M19, M20, M21, M22, M23, M24, M25, M26, M27, M28, M29, M30)	121	0130M00347	SWITCH, LOW PRESSURE (M9)
31	ZP14K5EPFV130	COMP, 14650,208/230/60/1 (M1)	131	0130R00003	HIGH PRESSURE SWITCH (M11, M12, M13, M14, M15, M16, M17, M18, M19, M20, M21, M22, M23, M24, M25, M26, M27, M28, M29, M30)
31	ZP14K6EPFV120	COMP, 20200, 208/230/60/1 (M11, M12)			
31	ZP20K6EPFV120	COMP, 27200, 208/230/60/1 (M13, M14)			
31	ZP25K6EPFV120	COMP, 34200, 208/230/60/1 (M15, M16)	131	0130R00056	SW-CUTOFF HI PRESS (M1, M2, M3, M4, M5, M6, M7, M8, M9, M10)
31	ZP31K6EPFV120	COMP, 42500, 208/230/60/1 (M6, M17, M18)			
31	ZP34K6EPFV120	COMP, 46500, 208/230/60/1 (M20, M21, M22)	141	0160M00035	COMPRESSOR BLANKET (M1, M2, M3, M4, M5, M6, M11, M12, M13, M14, M15, M16, M17, M18, M19)
31	ZP40K6EPFV120	COMP, 53700, 208/230/60/1 (M23, M24, M25)			
31	ZP20K5EPFV130	COMP,20000,208/230/60/1 (M2)	141	0160M00039	COMPRESSOR BLANKET (M7, M8, M9, M10, M20, M21, M22, M23, M24, M25, M26, M27, M28, M29, M30)
31	ZP24K5EPFV130	COMP,24000,208/230/60/1 (M3, M4)			
31	ZP29K5EPFV130	COMP,29000,208/230/60/1 (M5, M19)			
31	ZP34K5EPFV130	COMP,34500,208/230/60/1 (M7)	221	0130M00106	DISC THERMOSTAT(CRNKCS HTR SW) (M11, M12, M13, M14, M15, M16, M17, M18, M19, M20, M21, M22, M23, M24, M25, M26, M27, M28, M29, M30)
31	ZP36K5EPFV130	COMP,36200,208/230/60/1 (M8)			
31	ZP39K5EPFV130	COMP,39000,208/230/60/1 (M26, M27, M28)			
31	ZP44K5EPFV130	COMP,44400,280/230/60/1 (M9)			
31	ZP49K5EPFV130	COMP,49400,208/230/60/1 (M10)	241	0121R00006PNG	BASE PAN 29" (M1, M2, M3, M4, M5, M11, M12, M13, M14, M15, M16, M17, M18, M23, M24, M25)
31	ZP51K5EPFV130	COMP,51000,208/230/60/1 (M29, M30)			
41	B1787000	VALVE CORE (M11, M12, M13, M14, M15, M16, M17, M18, M19, M20, M21, M22, M23, M24, M25, M26, M27, M28, M29, M30)	241	0121R00007PNG	BASE PAN, 35.5" PNT (M6, M7, M8, M9, M10, M19, M20, M21, M22, M26, M27, M28, M29, M30)
51	0130M00410	REVERSING VALVE HARNESS (M11, M12, M13, M14, M15, M16, M17, M18, M19, M20, M21, M22, M23, M24, M25, M26, M27, M28, M29, M30)	261	0163R00003	HEATER, CRANKCASE 230V 40W (M9)
61	0151L00008	ACCUMULATOR (M17, M18)	261	0163R00006	HEATER, CRANKCASE 230V, 40W (M11, M12, M13, M14, M15, M16, M17, M18, M19)
61	0151L00009	ACCUMULATOR (M19)	261	0163R00007	HEATER, CRANKCASE 230V, 40W (M20, M21, M22, M23, M24, M25, M26, M27, M28, M29, M30)
61	B1226207	ACCUMULATOR (M20, M21, M22, M23, M24, M25, M26, M27, M28, M29, M30)	271	B1339533	COMPRESSOR GROMMET (QTY 4)
61	0151R00004P	ACCUMULATOR 3/4 (M11, M12, M13, M14, M15, M16)	281	M0221641	TF SHOULDER SCREW (QTY 4)
71	0162R00007	MUFFLER 1/2 X 1/2 (M11, M12, M13, M14, M15, M16, M17, M18, M19, M20, M21, M22, M23, M24, M25, M26, M27, M28, M29, M30)	NS	0163M00175	CAP WITH O-RING (M11, M12, M13, M14, M15, M16, M17, M18, M19, M20, M21, M22, M23, M24, M25, M26, M27, M28, M29, M30)
81	0162R00057	FILTER DRIER (M1, M2, M3, M4, M5, M6, M7, M8, M9, M10)	NS	0151R00005	COMPENSATOR, 16OZ (M19)
81	0162R00056	FILTER/DRIER-BI-FLOW (M11, M12, M13, M14, M15, M16, M17, M18, M19, M20, M21, M22, M23, M24, M25, M26, M27, M28, M29, M30)	NS	B1225022	SOLENOID COIL
91	0151R00185	BASE VALVE 3/4" (M1, M2, M11, M12, M13, M14, M15, M16, M17, M18)			
91	0151R00186	BASE VALVE 7/8" (M3, M4, M5, M6, M7, M19, M20, M21, M22, M23, M24, M25, M26, M27, M28, M29, M30)			
101	0151R00187	BASE VALVE 3/8"			
111	0159R00001P	COMPRESSOR SCROLL HARNESS (M1, M2, M3, M4, M5, M11, M12, M13, M14, M15, M16, M17, M18, M23, M24, M25)			
111	0159R00002P	COMPRESSOR SCROLL HARNESS (M6, M7, M8, M9, M10, M19, M20, M21, M22, M26, M27, M28, M29, M30)			
121	0130M00082	LOW PRESSURE SWITCH (M1, M2, M3, M4, M5, M6, M7, M8, M10)			

# Compressor and Tubing Assembly

Ref. Part

No: No:

Description:

Ref. Part

No: No:

Description:

---

Expanded Model Nomenclature

M1 - DX16SA0181AC
M2 - DX16SA0241AE
M3 - DX16SA0301AE
M4 - DX16SA0311AC
M5 - DX16SA0361AC
M6 - DX16SA0371AC
M7 - DX16SA0421AD
M8 - DX16SA0481AE
M9 - DX16SA0601AD
M10 - DX16SA0611AD
M11 - DZ14SA0181KE
M12 - DZ14SA0181KF
M13 - DZ14SA0241KD
M14 - DZ14SA0241KE
M15 - DZ14SA0301KD
M16 - DZ14SA0301KE
M17 - DZ14SA0361KD
M18 - DZ14SA0361KE
M19 - DZ14SA0381AD
M20 - DZ14SA0421KD
M21 - DZ14SA0421KE
M22 - DZ14SA0421KF
M23 - DZ14SA0481KC
M24 - DZ14SA0481KD
M25 - DZ14SA0481KE
M26 - DZ14SA0491KD
M27 - DZ14SA0491KE
M28 - DZ14SA0491KF
M29 - DZ14SA0601KC
M30 - DZ14SA0601KD