

3MX[L/S]RMVJU & 4MXS**RMVJU
Outdoor Multi-Split Heat Pump**

3MXL24RMVJU
3MXS24RMVJU
4MXS36RMVJU



This manual is to be used by qualified technicians only.

Important Information

Index

Functional Parts List	3
Illustration and Parts	4 - 9

Views shown are for parts illustrations only, not servicing procedures.

Text Codes:

AR - As Required

NA - Not Available

NS - Not Shown

00000000 - See Note

QTY - Quantity Example (QTY 3) (If Quantity not shown, Quantity = 1)

M - Model Example (M1) (If M Code not shown, then part is used on all Models)

Expanded Model Nomenclature:

Example M1 - Model#1 M2 - Model#2 M3 - Model#3

Daikin North America, LLC is not responsible for personal injury or property damage resulting from improper service. Review all service information before beginning repairs.

Warranty service must be performed by an authorized technician, using authorized factory parts. If service is required after the warranty expires, Daikin North America, LLC also recommends contacting an authorized technician and using authorized factory parts.

Daikin North America, LLC reserves the right to discontinue, or change at any time, specifications or designs without notice or without incurring obligations.

For assistance within the U.S.A. contact:

Homeowner Support
Daikin North America, LLC
19001 Kermier Road
Waller, Texas 77484
855-770-5678-Telephone
713-863-2382-Facsimile

For assistance outside the U.S.A. contact:

International Division
Daikin North America, LLC
19001 Kermier Road
Waller, Texas 77484
713-861-2500-Telephone
713-863-2382-Facsimile

Functional Parts

Part

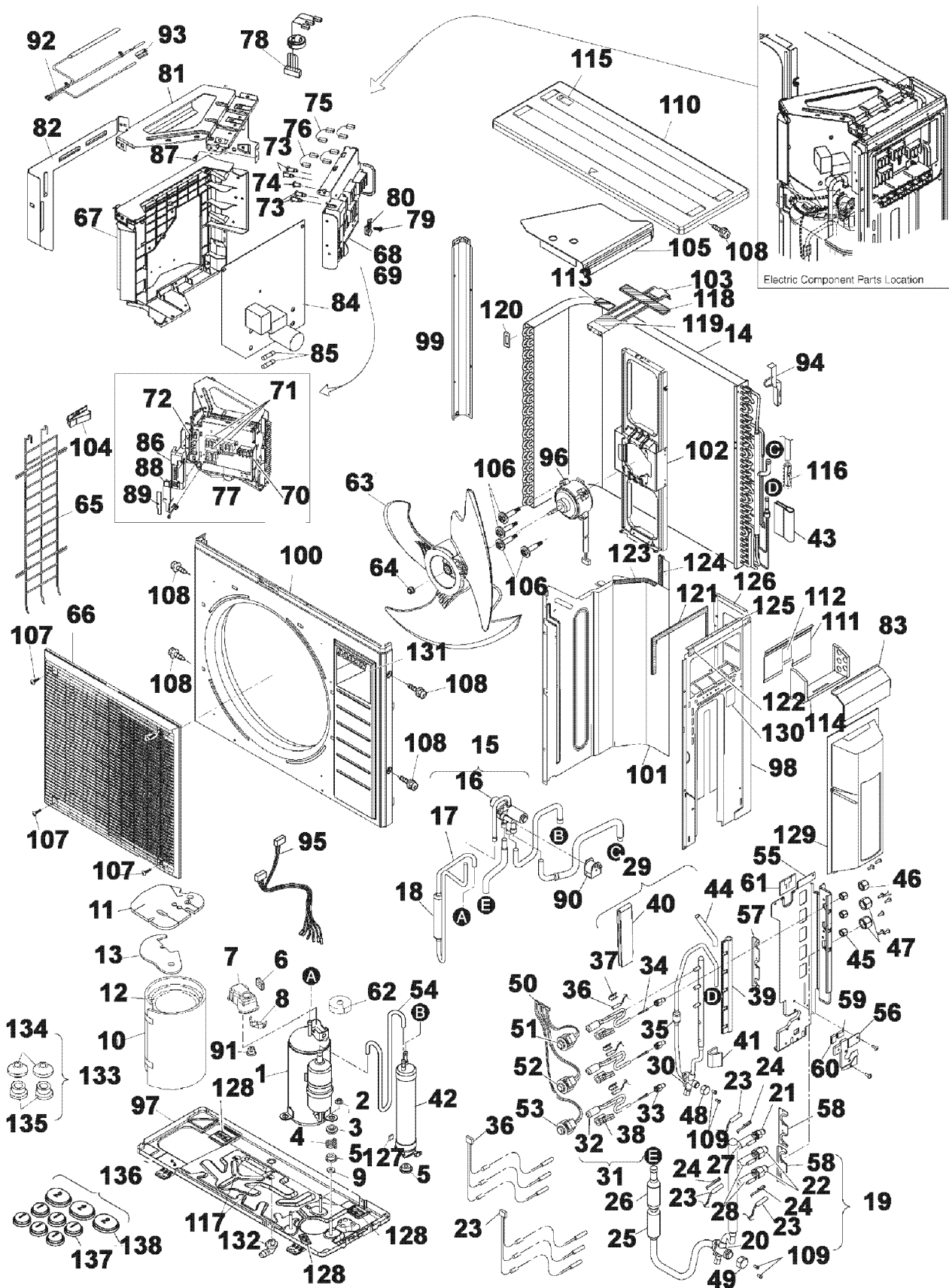
No: Description:

2143516	BODY/ ELECTRONIC EXP. VALVE (QTY 3)
2149590	BODY/ FOUR WAY VALVE
2254050	COIL/ ELECTRONIC EXP. VALVE
2254067	COIL/ ELECTRONIC EXP. VALVE
2254074	COIL/ ELECTRONIC EXP. VALVE (M3)
2254043	COIL/ ELECTRONIC EXP. VALVE
6025182	COMPRESSOR ASSY.
6024031	FAN MOTOR (M2)
6024942	FAN MOTOR (M1, M3)
153875J	FUSE (QTY 2)
6025188	GAS STOP VALVE ASSY.
622418J	OVERLOAD PROTECTOR
6025774	PRINTED CIRCUIT ASSY. (CONTROL) (M1)
6025198	PRINTED CIRCUIT ASSY. (MAIN) (M2)
6025209	PRINTED CIRCUIT ASSY. (MAIN) (M3)
6025165	PRINTED CIRCUIT ASSY. (SERVICE)
6024032	STOP VALVE ASSY.
1684920	TERMINAL BLOCK (QTY 3)
1684913	TERMINAL BLOCK
6024019	THERMISTOR ASSY. (M3)
6024012	THERMISTOR ASSY.
6024018	THERMISTOR ASSY. (M1, M2)
6024015	THERMISTOR ASSY. (GAS) (M1, M2)
6024016	THERMISTOR ASSY. (GAS) (M3)

Expanded Model Nomenclature

M1 - 3MXL24RMVJU
M2 - 3MXS24RMVJU
M3 - 4MXS36RMVJU

3MXL24RMVJU



Ref. Part No: No:	Description:	Ref. Part No: No:	Description:
<i>Image 1:</i>		<i>Image 1:</i>	
1	6025182 COMPRESSOR ASSY. (M1)	60	2255628 SEALING MATERIAL (M1)
2	135859J FLANGE NUT (M1)	61	2255635 CUSHION RUBBER (M1)
3	096039J SPRING HOLDER (1) (M1)	62	112853J SOUNDPROOF PUTTY (M1)
4	390208J MOUNTING SPRING (M1)	63	6022761 FAN BLADE (M1)
5	390215J SPRING HOLDER (2) (M1)	64	847003J LOCK NUT/ FAN (M1)
6	040139J RUBBER BUSH/ LEAD WIRE (M1)	65	6025762 PROTECTION NET (LEFT SIDE) (M1)
7	6026803 TERMINAL COVER (M1)	66	6024941 DISCHARGE GRILLE ASSY. (M1)
8	380620J RETAINER/ OVERLOAD PROTECTOR (M1)	67	2255767 EL. COMPO. MOUNTING PLATE (M1)
9	2255402 PLAIN WASHER (COMP.) (M1)	68	NA MOUNTING PLATE (TERMINAL BLOCK) (M1)
10	6025146 SOUND INSULATION (OUTER BODY) (M1)	69	6025196 MOUNTING PLATE (TERMINAL STRIP 1) (M1)
11	2255419 SOUND INSULATION (TOP) ASSY. (M1)	70	1684913 TERMINAL BLOCK (M1)
12	2255433 SOUND INSULATION (M1)	71	1684920 TERMINAL BLOCK (M1)
13	6025183 SOUND INSULATION (INNER TOP) (M1)	72	6025165 PRINTED CIRCUIT ASSY. (SERVICE) (M1)
14	6025149 EVAPORATOR ASSY. (M1)	73	2255806 SPACER (PCB) (M1)
15	NA BODY/ FOUR WAY VALVE ASSY. (M1)	74	2255813 SPACER (PCB) (M1)
16	2149590 BODY/ FOUR WAY VALVE (M1)	75	1708523 WIRE HARNESS (TERMINAL BLOCK) (M1)
17	NA DISCHARGE PIPE ASSY. (M1)	76	1708530 WIRE HARNESS (TERMINAL BLOCK) (M1)
18	1618396 MUFFLER (M1)	77	NA INDICATION LABEL (TERMINAL) (M1)
19	NA HEADER ASSY. (GAS) (M1)	78	6025197 WIRE HARNESS ASSY. (M1)
20	6025188 GAS STOP VALVE ASSY. (M1)	79	NA TAPPING SCREW (M1)
21	257587J UNION JOINT (M1)	80	1786749 WASHER (FOR EARTH) (M1)
22	252012J UNION JOINT (M1)	81	2255820 MOUNTING PLATE (TERMINAL STRIP 2) (M1)
23	6024015 THERMISTOR ASSY. (GAS) (M1)	82	2255844 RADIATION SHIELD PLATE (M1)
24	380120J FITTING SPRING/ THERMISTOR (M1)	83	6025169 TERMINAL BLOCK COVER ASSY. (M1)
25	2255471 MUFFLER (M1)	84	6025774 PRINTED CIRCUIT ASSY. (CONTROL) (M1)
26	2255488 MUFFLER (M1)	85	153875J FUSE (M1)
27	6025189 MUFFLER (M1)	86	6025171 COVER ASSY. (SERVICE PCB) (M1)
28	6025190 MUFFLER (M1)	87	NA DOUBLE WASHER MACHINE SCREW (M1)
29	NA HEADER ASSY. (LIQUID) (M1)	88	6025172 SWITCH COVER ASSY. (M1)
30	6024032 STOP VALVE ASSY. (M1)	89	6025173 INDICATION LABEL (SERVICE PCB) (M1)
31	6025156 BODY/ ELECTRONIC EXP. VALVE ASSY. (M1)	90	6024028 COIL/ FOUR WAY VALVE ASSY. (M1)
32	2143516 BODY/ ELECTRONIC EXP. VALVE (M1)	91	622418J OVERLOAD PROTECTOR (M1)
33	060321J UNION JOINT (M1)	92	6024012 THERMISTOR ASSY. (M1)
34	131823J STRAINER (FOR REF.) (M1)	93	2255750 FIXTURE/ THERMISTOR (M1)
35	4014271 MUFFLER (M1)	94	128511J FIXTURE/ THERMISTOR (M1)
36	6024018 THERMISTOR ASSY. (M1)	95	6025175 WIRE HARNESS (COMP.) (M1)
37	130389J FIXTURE/ THERMISTOR (M1)	96	6024942 FAN MOTOR (M1)
38	6025157 PUTTY (M1)	97	2255899 BOTTOM FRAME ASSY. (M1)
39	6025158 PUTTY (M1)	98	6025177 SIDE PLATE (RIGHT) (M1)
40	6025192 PUTTY (M1)	99	6022758 SIDE PLATE (LEFT) (M1)
41	6025160 PUTTY (M1)	100	6022706 FRONT PLATE (M1)
42	6024022 GAS LIQUID SEPARATOR ASSY. (M1)	101	6024003 DISTANCE PLATE (M1)
43	2255729 PUTTY (M1)	102	6022871 FAN MOTOR STAND ASSY. (M1)
44	2255736 THERMAL INSULATION TUBE (M1)	103	6022759 FAN MOTOR STAND (MOUNTING PLATE) (M1)
45	1723546 FLARE NUT (M1)	104	6022835 HANDLE (M1)
46	119848J FLARE NUT (M1)	105	6025178 DRIP PROOF COVER ASSY. (M1)
47	119849J FLARE NUT (M1)	106	140380J WASHER FACED HEAD TAPPING SCREW (M1)
48	2158703 VALVE CAP (M1)	107	NA TRUSS HEAD TAPPING SCREW (M1)
49	2159232 VALVE CAP (M1)	108	NA HEX. HEAD TAPPING SCREW (M1)
50	NA COIL/ ELECTRONIC EXP. VALVE ASSY. (M1)	109	NA PAN HEAD TAPPING SCREW (M1)
51	2254043 COIL/ ELECTRONIC EXP. VALVE (M1)	110	6022834 TOP PLATE (M1)
52	2254050 COIL/ ELECTRONIC EXP. VALVE (M1)	111	6025180 DRIP PROOF PLATE (TERMINAL BLOCK) (M1)
53	2254067 COIL/ ELECTRONIC EXP. VALVE (M1)	112	NA CAUTION LABEL (ELECTRIC SHOCK) (M1)
54	NA SUCTION PIPE ASSY. (M1)	113	6026829 SEALING MATERIAL (HEAT EXCH. TOP) (M1)
55	6025194 STOP VALVE MOUNTING PLATE (1) (M1)	114	6025179 CONDUIT MOUNTING PLATE ASSY. (M1)
56	2255527 STOP VALVE MOUNTING PLATE (2) (M1)	115	NA LABEL (M1)
57	2255565 SINGLE UNION FIXTURE (LIQUID) (M1)	116	380120J FITTING SPRING/ THERMISTOR (M1)
58	2255589 SINGLE UNION FIXTURE (GAS) (M1)	117	7900085 CUSHION RUBBER (BOTTOM FRAME) (M1)
59	2255642 SEALING MATERIAL (M1)	118	7900084 CUSHION MATERIAL (FAN MOTOR STAND) (M1)

Ref. Part No: No:	Description:	Ref. Part No: No:	Description:
Image 1:			
119	2256032		CUSHION MATERIAL (CR FORM RUBBER) (M1)
120	7900083		SEALING MATERIAL (M1)
121	6025181		SEALING MATERIAL (M1)
122	2256056		SEALING MATERIAL (M1)
123	2256063		SEALING MATERIAL (M1)
124	2256070		SEALING MATERIAL (M1)
125	2256087		SEALING MATERIAL (M1)
126	2256094		SEALING MATERIAL (M1)
127	7900122		CUSHION RUBBER (GAS LIQUID SEPARATOR) (M1)
128	2256102		PUTTY (M1)
129	6024004		COVER/ STOP VALVE (M1)
130	NA		CAUTION LABEL (BURN) (M1)
131	6025256		BRAND NAME LABEL (M1)
132	058956J		DRAIN JOINT (M1)
133	NA		REDUCER ASSY. (M1)
134	257712J		GASKET/ REDUCING JOINT (M1)
135	257709J		GASKET/ REDUCING JOINT (M1)
136	NA		ACCESSORY SET (M1)
137	NA		CAP 1 (DRAIN) (M1)
138	NA		CAP 2 (DRAIN) (M1)

Expanded Model Nomenclature

M1 - 3MXL24RMVJU
M2 - 3MXS24RMVJU
M3 - 4MXS36RMVJU

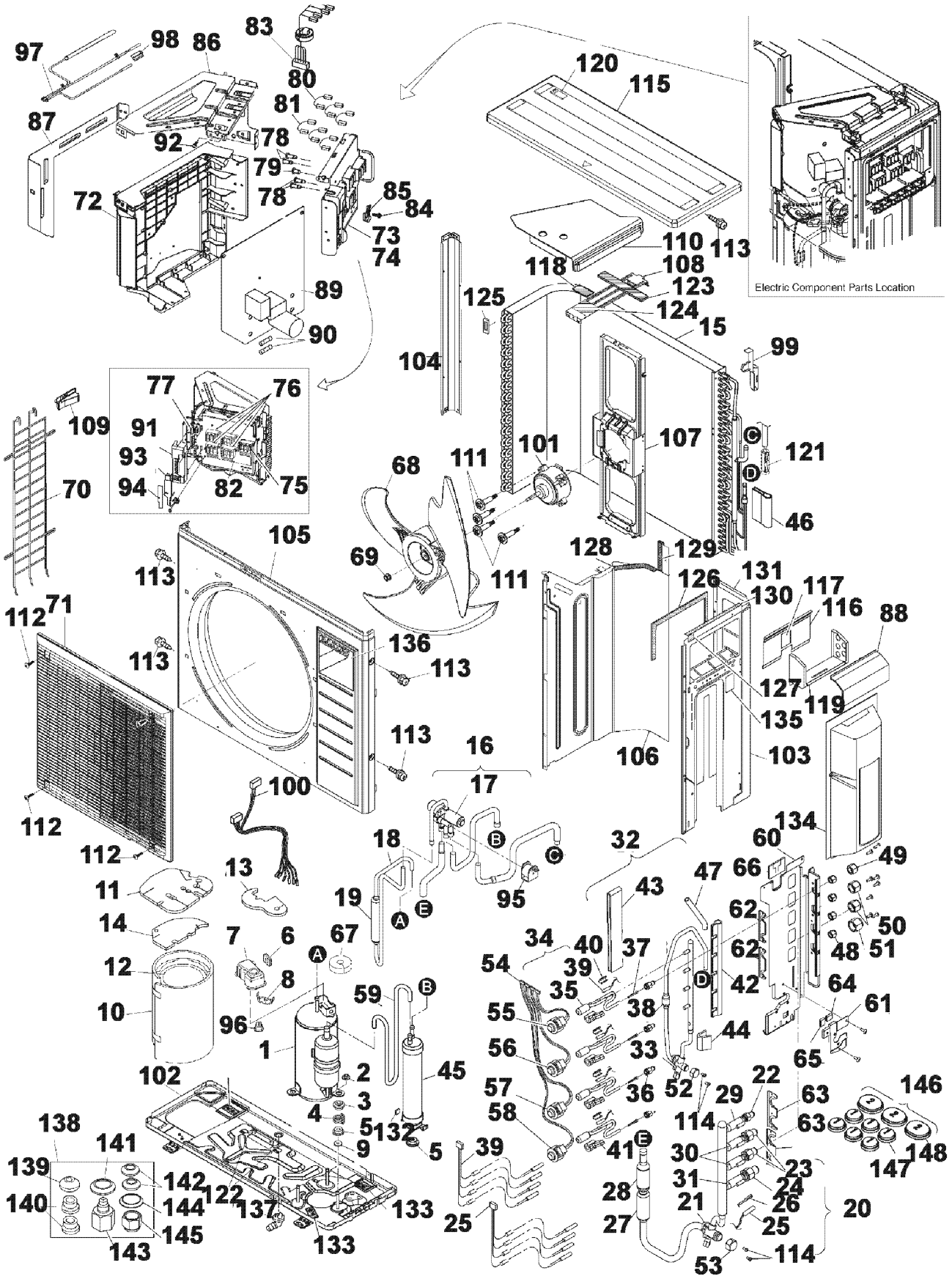
Ref. Part No: No:	Description:	Ref. Part No: No:	Description:
Image 1:		Image 1:	
1	6025182 COMPRESSOR ASSY. (M2)	60	2255642 SEALING MATERIAL (M2)
2	135859J FLANGE NUT (M2)	61	2255628 SEALING MATERIAL (M2)
3	096039J SPRING HOLDER (1) (M2)	62	2255635 CUSHION RUBBER (M2)
4	390208J MOUNTING SPRING (M2)	63	112853J SOUNDPROOF PUTTY (M2)
5	390215J SPRING HOLDER (2) (M2)	64	6022761 FAN BLADE (M2)
6	040139J RUBBER BUSH/ LEAD WIRE (M2)	65	847003J LOCK NUT/ FAN (M2)
7	6026803 TERMINAL COVER (M2)	66	6025762 PROTECTION NET (LEFT SIDE) (M2)
8	380620J RETAINER/ OVERLOAD PROTECTOR (M2)	67	6024941 DISCHARGE GRILLE ASSY. (M2)
9	2255402 PLAIN WASHER (COMP.) (M2)	68	2255767 EL. COMPO. MOUNTING PLATE (M2)
10	6025146 SOUND INSULATION (OUTER BODY) (M2)	69	NA MOUNTING PLATE (TERMINAL BLOCK) (M2)
11	2255419 SOUND INSULATION (TOP) ASSY. (M2)	70	6025196 MOUNTING PLATE (TERMINAL STRIP 1) (M2)
12	2255433 SOUND INSULATION (M2)	71	1684913 TERMINAL BLOCK (M2)
13	6025183 SOUND INSULATION (INNER TOP) (M2)	72	1684920 TERMINAL BLOCK (M2)
14	6025184 SOUND INSULATION (MIDDLE TOP) (M2)	73	6025165 PRINTED CIRCUIT ASSY. (SERVICE) (M2)
15	6025149 EVAPORATOR ASSY. (M2)	74	2255806 SPACER (PCB) (M2)
16	NA BODY/ FOUR WAY VALVE ASSY. (M2)	75	2255813 SPACER (PCB) (M2)
17	2149590 BODY/ FOUR WAY VALVE (M2)	76	1708523 WIRE HARNESS (TERMINAL BLOCK) (M2)
18	NA DISCHARGE PIPE ASSY. (M2)	77	1708530 WIRE HARNESS (TERMINAL BLOCK) (M2)
19	1618396 MUFFLER (M2)	78	NA INDICATION LABEL (TERMINAL) (M2)
20	NA HEADER ASSY. (GAS) (M2)	79	6025197 WIRE HARNESS ASSY. (M2)
21	6025188 GAS STOP VALVE ASSY. (M2)	80	NA TAPPING SCREW (M2)
22	257587J UNION JOINT (M2)	81	1786749 WASHER (FOR EARTH) (M2)
23	252012J UNION JOINT (M2)	82	2255820 MOUNTING PLATE (TERMINAL STRIP 2) (M2)
24	6024015 THERMISTOR ASSY. (GAS) (M2)	83	2255844 RADIATION SHIELD PLATE (M2)
25	380120J FITTING SPRING/ THERMISTOR (M2)	84	6025169 TERMINAL BLOCK COVER ASSY. (M2)
26	2255471 MUFFLER (M2)	85	6025198 PRINTED CIRCUIT ASSY. (MAIN) (M2)
27	2255488 MUFFLER (M2)	86	153875J FUSE (M2)
28	6025189 MUFFLER (M2)	87	6025171 COVER ASSY. (SERVICE PCB) (M2)
29	6025190 MUFFLER (M2)	88	NA DOUBLE WASHER MACHINE SCREW (M2)
30	NA HEADER ASSY. (LIQUID) (M2)	89	6025172 SWITCH COVER ASSY. (M2)
31	6024032 STOP VALVE ASSY. (M2)	90	6025173 INDICATION LABEL (SERVICE PCB) (M2)
32	6025156 BODY/ ELECTRONIC EXP. VALVE ASSY. (M2)	91	6024028 COIL/ FOUR WAY VALVE ASSY. (M2)
33	2143516 BODY/ ELECTRONIC EXP. VALVE (M2)	92	622418J OVERLOAD PROTECTOR (M2)
34	060321J UNION JOINT (M2)	93	6024012 THERMISTOR ASSY. (M2)
35	131823J STRAINER (FOR REF.) (M2)	94	2255750 FIXTURE/ THERMISTOR (M2)
36	4014271 MUFFLER (M2)	95	128511J FIXTURE/ THERMISTOR (M2)
37	6024018 THERMISTOR ASSY. (M2)	96	6025175 WIRE HARNESS (COMP.) (M2)
38	130389J FIXTURE/ THERMISTOR (M2)	97	6024031 FAN MOTOR (M2)
39	6025157 PUTTY (M2)	98	2255899 BOTTOM FRAME ASSY. (M2)
40	6025158 PUTTY (M2)	99	6025177 SIDE PLATE (RIGHT) (M2)
41	6025192 PUTTY (M2)	100	6022758 SIDE PLATE (LEFT) (M2)
42	6025160 PUTTY (M2)	101	6022706 FRONT PLATE (M2)
43	6024022 GAS LIQUID SEPARATOR ASSY. (M2)	102	6024003 DISTANCE PLATE (M2)
44	2255729 PUTTY (M2)	103	6022871 FAN MOTOR STAND ASSY. (M2)
45	2255736 THERMAL INSULATION TUBE (M2)	104	6022759 FAN MOTOR STAND (MOUNTING PLATE) (M2)
46	1723546 FLARE NUT (M2)	105	6022835 HANDLE (M2)
47	119848J FLARE NUT (M2)	106	6025178 DRIP PROOF COVER ASSY. (M2)
48	119849J FLARE NUT (M2)	107	NA TRUSS HEAD TAPPING SCREW (M2)
49	2158703 VALVE CAP (M2)	108	NA TRUSS HEAD TAPPING SCREW (M2)
50	2159232 VALVE CAP (M2)	109	NA HEX. HEAD TAPPING SCREW (M2)
51	NA COIL/ ELECTRONIC EXP. VALVE ASSY. (M2)	110	NA PAN HEAD TAPPING SCREW (M2)
52	2254043 COIL/ ELECTRONIC EXP. VALVE (M2)	111	6022834 TOP PLATE (M2)
53	2254050 COIL/ ELECTRONIC EXP. VALVE (M2)	112	6025180 DRIP PROOF PLATE (TERMINAL BLOCK) (M2)
54	2254067 COIL/ ELECTRONIC EXP. VALVE (M2)	113	NA CAUTION LABEL (ELECTRIC SHOCK) (M2)
55	NA SUCTION PIPE ASSY. (M2)	114	6026829 SEALING MATERIAL (HEAT EXCH. TOP) (M2)
56	6025194 STOP VALVE MOUNTING PLATE (1) (M2)	115	6025179 CONDUIT MOUNTING PLATE ASSY. (M2)
57	2255527 STOP VALVE MOUNTING PLATE (2) (M2)	116	NA LABEL (M2)
58	2255565 SINGLE UNION FIXTURE (LIQUID) (M2)	117	380120J FITTING SPRING/ THERMISTOR (M2)
59	2255589 SINGLE UNION FIXTURE (GAS) (M2)	118	7900085 CUSHION RUBBER (BOTTOM FRAME) (M2)

Ref. Part No: No:	Description:	Ref. Part No: No:	Description:
Image 1:			
119	7900084		CUSHION MATERIAL (FAN MOTOR STAND) (M2)
120	2256032		CUSHION MATERIAL (CR FORM RUBBER) (M2)
121	7900083		SEALING MATERIAL (M2)
122	6025181		SEALING MATERIAL (M2)
123	2256056		SEALING MATERIAL (M2)
124	2256063		SEALING MATERIAL (M2)
125	2256070		SEALING MATERIAL (M2)
126	2256087		SEALING MATERIAL (M2)
127	2256094		SEALING MATERIAL (M2)
128	7900122		CUSHION RUBBER (GAS LIQUID SEPARATOR) (M2)
129	2256102		PUTTY (M2)
130	6024004		COVER/ STOP VALVE (M2)
131	NA		CAUTION LABEL (BURN) (M2)
132	6025256		BRAND NAME LABEL (M2)
133	058956J		DRAIN JOINT (M2)
134	NA		REDUCER ASSY. (M2)
135	257712J		GASKET/ REDUCING JOINT (M2)
136	257709J		GASKET/ REDUCING JOINT (M2)
137	NA		ACCESSORY SET (M2)
138	NA		CAP 1 (DRAIN) (M2)
139	NA		CAP 2 (DRAIN) (M2)

Expanded Model Nomenclature

- | |
|------------------|
| M1 - 3MXL24RMVJU |
| M2 - 3MXS24RMVJU |
| M3 - 4MXS36RMVJU |

4MXS36RMVJU



Ref. Part No: No:	Description:	Ref. Part No: No:	Description:
<i>Image 1:</i>		<i>Image 1:</i>	
1	6025182 COMPRESSOR ASSY. (M3)	60	6025204 STOP VALVE MOUNTING PLATE (1) (M3)
2	135859J FLANGE NUT (M3)	61	2255527 STOP VALVE MOUNTING PLATE (2) (M3)
3	096039J SPRING HOLDER (1) (M3)	62	2255541 SINGLE UNION FIXTURE (LIQUID) (M3)
4	390208J MOUNTING SPRING (M3)	63	2255589 SINGLE UNION FIXTURE (GAS) (M3)
5	390215J SPRING HOLDER (2) (M3)	64	2255642 SEALING MATERIAL (M3)
6	040139J RUBBER BUSH/ LEAD WIRE (M3)	65	2255628 SEALING MATERIAL (M3)
7	6026803 TERMINAL COVER (M3)	66	2255635 CUSHION RUBBER (M3)
8	380620J RETAINER/ OVERLOAD PROTECTOR (M3)	67	112853J SOUNDPROOF PUTTY (M3)
9	2255402 PLAIN WASHER (COMP.) (M3)	68	6022761 FAN BLADE (M3)
10	6025146 SOUND INSULATION (OUTER BODY) (M3)	69	847003J LOCK NUT/ FAN (M3)
11	2255419 SOUND INSULATION (TOP) ASSY. (M3)	70	6025762 PROTECTION NET (LEFT SIDE) (M3)
12	2255433 SOUND INSULATION (M3)	71	6024941 DISCHARGE GRILLE ASSY. (M3)
13	6025183 SOUND INSULATION (INNER TOP) (M3)	72	2255767 EL. COMPO. MOUNTING PLATE (M3)
14	6025184 SOUND INSULATION (MIDDLE TOP) (M3)	73	NA MOUNTING PLATE (TERMINAL BLOCK) (M3)
15	6025149 EVAPORATOR ASSY. (M3)	74	6025206 MOUNTING PLATE (TERMINAL STRIP 1) (M3)
16	NA BODY/ FOUR WAY VALVE ASSY. (M3)	75	1684913 TERMINAL BLOCK (M3)
17	2149590 BODY/ FOUR WAY VALVE (M3)	76	1684920 TERMINAL BLOCK (M3)
18	NA DISCHARGE PIPE ASSY. (M3)	77	6025165 PRINTED CIRCUIT ASSY. (SERVICE) (M3)
19	1618396 MUFFLER (M3)	78	2255806 SPACER (PCB) (M3)
20	NA HEADER ASSY. (GAS) (M3)	79	2255813 SPACER (PCB) (M3)
21	6025188 GAS STOP VALVE ASSY. (M3)	80	1708523 WIRE HARNESS (TERMINAL BLOCK) (M3)
22	257587J UNION JOINT (M3)	81	1708530 WIRE HARNESS (TERMINAL BLOCK) (M3)
23	252012J UNION JOINT (M3)	82	6025207 INDICATION LABEL (TERMINAL) (M3)
24	257588J UNION JOINT (M3)	83	6025208 WIRE HARNESS ASSY. (M3)
25	6024016 THERMISTOR ASSY. (GAS) (M3)	84	NA TAPPING SCREW (M3)
26	380120J FITTING SPRING/ THERMISTOR (M3)	85	1786749 WASHER (FOR EARTH) (M3)
27	2255471 MUFFLER (M3)	86	2255820 MOUNTING PLATE (TERMINAL STRIP 2) (M3)
28	2255488 MUFFLER (M3)	87	2255844 RADIATION SHIELD PLATE (M3)
29	6025189 MUFFLER (M3)	88	6025169 TERMINAL BLOCK COVER ASSY. (M3)
30	6025190 MUFFLER (M3)	89	6025209 PRINTED CIRCUIT ASSY. (MAIN) (M3)
31	6025201 MUFFLER (M3)	90	153875J FUSE (M3)
32	NA HEADER ASSY. (LIQUID) (M3)	91	6025171 COVER ASSY. (SERVICE PCB) (M3)
33	6024032 STOP VALVE ASSY. (M3)	92	NA DOUBLE WASHER MACHINE SCREW (M3)
34	6025156 BODY/ ELECTRONIC EXP. VALVE ASSY. (M3)	93	6025172 SWITCH COVER ASSY. (M3)
35	2143516 BODY/ ELECTRONIC EXP. VALVE (M3)	94	6025173 INDICATION LABEL (SERVICE PCB) (M3)
36	060321J UNION JOINT (M3)	95	6024028 COIL/ FOUR WAY VALVE ASSY. (M3)
37	131823J STRAINER (FOR REF.) (M3)	96	622418J OVERLOAD PROTECTOR (M3)
38	4014271 MUFFLER (M3)	97	6024012 THERMISTOR ASSY. (M3)
39	6024019 THERMISTOR ASSY. (M3)	98	2255750 FIXTURE/ THERMISTOR (M3)
40	130389J FIXTURE/ THERMISTOR (M3)	99	128511J FIXTURE/ THERMISTOR (M3)
41	6025157 PUTTY (M3)	100	6025175 WIRE HARNESS (COMP.) (M3)
42	6025158 PUTTY (M3)	101	6024942 FAN MOTOR (M3)
43	6025203 PUTTY (LIQUID HEADER) (M3)	102	2255899 BOTTOM FRAME ASSY. (M3)
44	6025160 PUTTY (M3)	103	6025177 SIDE PLATE (RIGHT) (M3)
45	6024022 GAS LIQUID SEPARATOR ASSY. (M3)	104	6022758 SIDE PLATE (LEFT) (M3)
46	2255729 PUTTY (M3)	105	6022706 FRONT PLATE (M3)
47	2255736 THERMAL INSULATION TUBE (M3)	106	6024003 DISTANCE PLATE (M3)
48	1723546 FLARE NUT (M3)	107	6022871 FAN MOTOR STAND ASSY. (M3)
49	119848J FLARE NUT (M3)	108	6022759 FAN MOTOR STAND (MOUNTING PLATE) (M3)
50	119849J FLARE NUT (M3)	109	6022835 HANDLE (M3)
51	119850J FLARE NUT (M3)	110	6025178 DRIP PROOF COVER ASSY. (M3)
52	2158703 VALVE CAP (M3)	111	140380J WASHER FACED HEAD TAPPING SCREW (M3)
53	2159232 VALVE CAP (M3)	112	NA TRUSS HEAD TAPPING SCREW (M3)
54	NA COIL/ ELECTRONIC EXP. VALVE ASSY. (M3)	113	NA HEX. HEAD TAPPING SCREW (M3)
55	2254043 COIL/ ELECTRONIC EXP. VALVE (M3)	114	NA PAN HEAD TAPPING SCREW (M3)
56	2254050 COIL/ ELECTRONIC EXP. VALVE (M3)	115	6022834 TOP PLATE (M3)
57	2254067 COIL/ ELECTRONIC EXP. VALVE (M3)	116	6025180 DRIP PROOF PLATE (TERMINAL BLOCK) (M3)
58	2254074 COIL/ ELECTRONIC EXP. VALVE (M3)	117	NA CAUTION LABEL (ELECTRIC SHOCK) (M3)
59	NA SUCTION PIPE ASSY. (M3)	118	6026829 SEALING MATERIAL (HEAT EXCH. TOP) (M3)

Ref. Part No: No:	Description:	Ref. Part No: No:	Description:
-------------------	--------------	-------------------	--------------

Image 1:

119	6025179	CONDUIT MOUNTING PLATE ASSY. (M3)
120	NA	LABEL (M3)
121	380120J	FITTING SPRING/ THERMISTOR (M3)
122	7900085	CUSHION RUBBER (BOTTOM FRAME) (M3)
123	7900084	CUSHION MATERIAL (FAN MOTOR STAND) (M3)
124	2256032	CUSHION MATERIAL (CR FORM RUBBER) (M3)
125	7900083	SEALING MATERIAL (M3)
126	6025181	SEALING MATERIAL (M3)
127	2256056	SEALING MATERIAL (M3)
128	2256063	SEALING MATERIAL (M3)
129	2256070	SEALING MATERIAL (M3)
130	2256087	SEALING MATERIAL (M3)
131	2256094	SEALING MATERIAL (M3)
132	7900122	CUSHION RUBBER (GAS LIQUID SEPARATOR) (M3)
133	2256102	PUTTY (M3)
134	6024004	COVER/ STOP VALVE (M3)
135	NA	CAUTION LABEL (BURN) (M3)
136	6025256	BRAND NAME LABEL (M3)
137	058956J	DRAIN JOINT (M3)
138	NA	REDUCER ASSY. (M3)
139	257553J	GASKET/ REDUCING JOINT (M3)
140	257712J	GASKET/ REDUCING JOINT (M3)
141	257555J	GASKET/ REDUCING JOINT (M3)
142	257709J	GASKET/ REDUCING JOINT (M3)
143	257503J	REDUCING JOINT (M3)
144	257511	FLARE GASKET (M3)
145	119848J	FLARE NUT (M3)
146	NA	ACCESSORY SET (M3)
147	NA	CAP 1 (DRAIN) (M3)
148	NA	CAP 2 (DRAIN) (M3)

Expanded Model Nomenclature

M1 - 3MXL24RMVJU
M2 - 3MXS24RMVJU
M3 - 4MXS36RMVJU