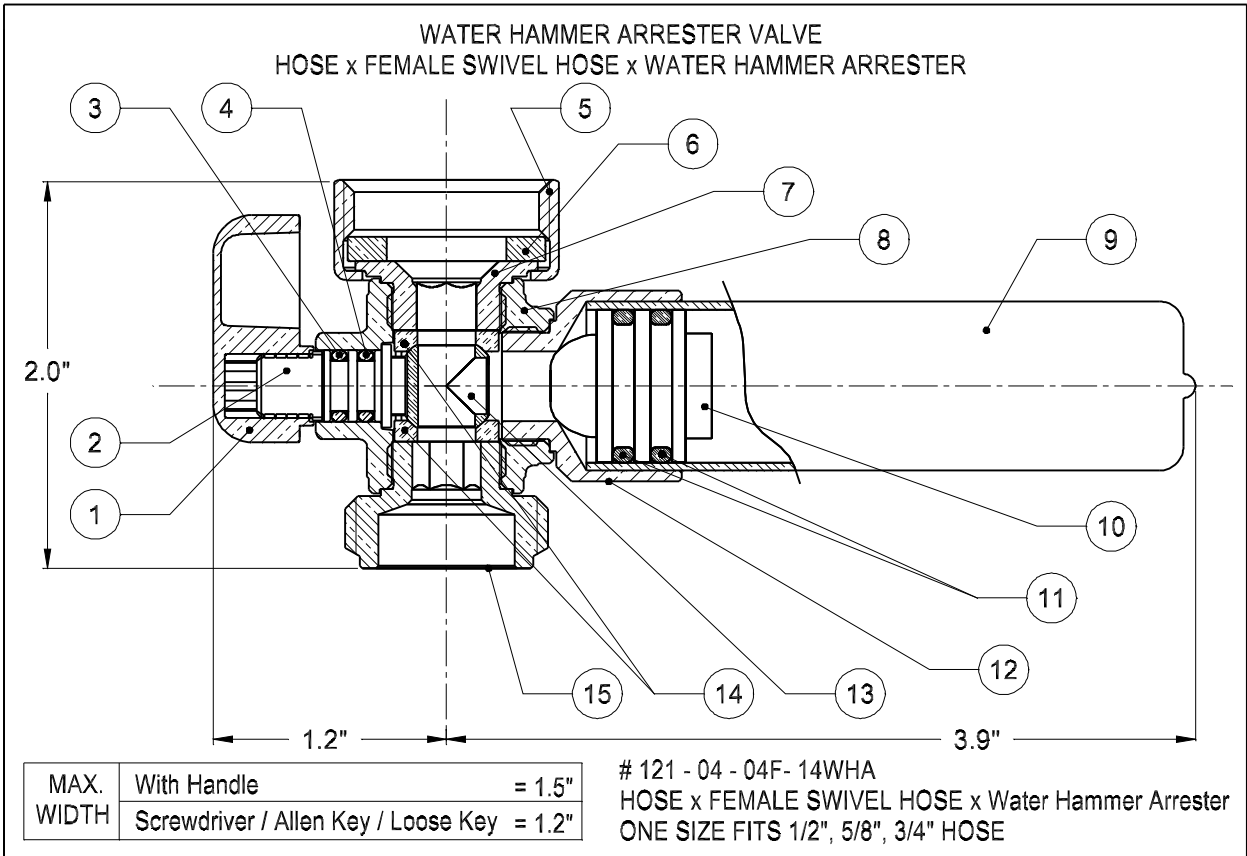


Dahl mini-ball™ Valve

Plumbing



- | | |
|--|---|
| <ul style="list-style-type: none"> 1. Nickel Plated Zinc Handle 2. Nickel Plated Brass Spindle 3. EPDM O-ring 4. Viton* O-ring 5. Brass Hose Coupling 6. EPDM Gasket 7. Female Hose Swivel End 8. Brass Body | <ul style="list-style-type: none"> 9. AA Size Water Hammer Arrester - ASSE 1010 Listed
(Copper Barrel with Polypropylene Piston and EPDM O-rings) 10. Polypropylene Piston 11. EPDM O-rings 12. Brass Solder Cup for Arrester 13. Plated Brass Ball 14. Teflon* Seals 15. Brass Hose End |
|--|---|

Working Pressure: 250 psi / 250°F
depending on pipe material.



NSF / ANSI 61, ASME A112.18.1

Designed and Manufactured in
Canada

Also available with Screwdriver, Allen key or Loose Key operation



dahl brothers canada limited

2600 S. SHERIDAN WAY, MISSISSAUGA, ON, CANADA L5J 2M4
905-822-2330 CAN 800-268-5355 U.S. 800-268-2363
FAX(905) 855-1450, USA AND CANADA 800-226-1801
www.sales@dahlvalve.com www.dahlvalve.com

* Registered Trademark of E.I. DuPont Nemours.

We reserve the right to alter prices and/or technical details without notice