

DEWALT®

EV CHARGER

SPECIFICATIONS



DXPAEV040

40 Amp Portable Electric Vehicle Charger

Connector And Electrical

| | |
|--------------------------------|--|
| Input Cord | NEMA 14-50 |
| AC Power Output Rating | Maximum 9.6 kW (240V AC * 40A). Output amperage adjustable via mobile app to 12A, 16A, 20A, 24A, 32A, 40A |
| AC Power Input Rating | 240V AC 60 Hz @ 12A, 16A, 20A, 24A, 32A, 40A |
| Required Service Panel Breaker | Dedicated Dual Pole rated for 125% of maximum load (ex: 50A breaker for 40A output) |
| Service Panel GFCI | External GFCI may conflict with internal GFCI (CCID). For hardwired installations, use a non-GFCI circuit breaker. |
| Power Wiring | 3 Wire – L1, L2 plus Earth (no neutral) |
| Charging Cable Length | 25 ft (750.00 cm/295.28 in) |
| Connector Type | SAE J1772 standard compliant |
| Power Measurement Accuracy | +/- 2.0% from 2% to full scale |

Safety And Connectivity Feature

| | |
|------------------------------|---|
| Ground Fault Detection | 20 mA CCID with auto retry |
| Open Safety Ground Detection | Continuously monitors presence of safety (green wire) ground connection |
| Plug-Out Detection | Power terminated per SAE J1772 specifications |
| Local Area Network | 2.4GHz WiFi (802.11 a/b/g/n) |
| Device Storage | Local data storage with capacity of up to 90 days of charging session data (100 sessions) in case of interrupted network connection |
| Software Updates | Firmware updated over-the-air (OTA) |

Safety And Operational Ratings

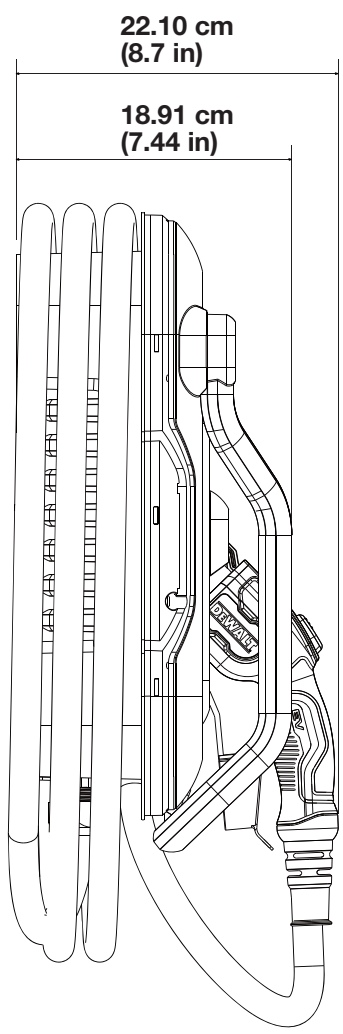
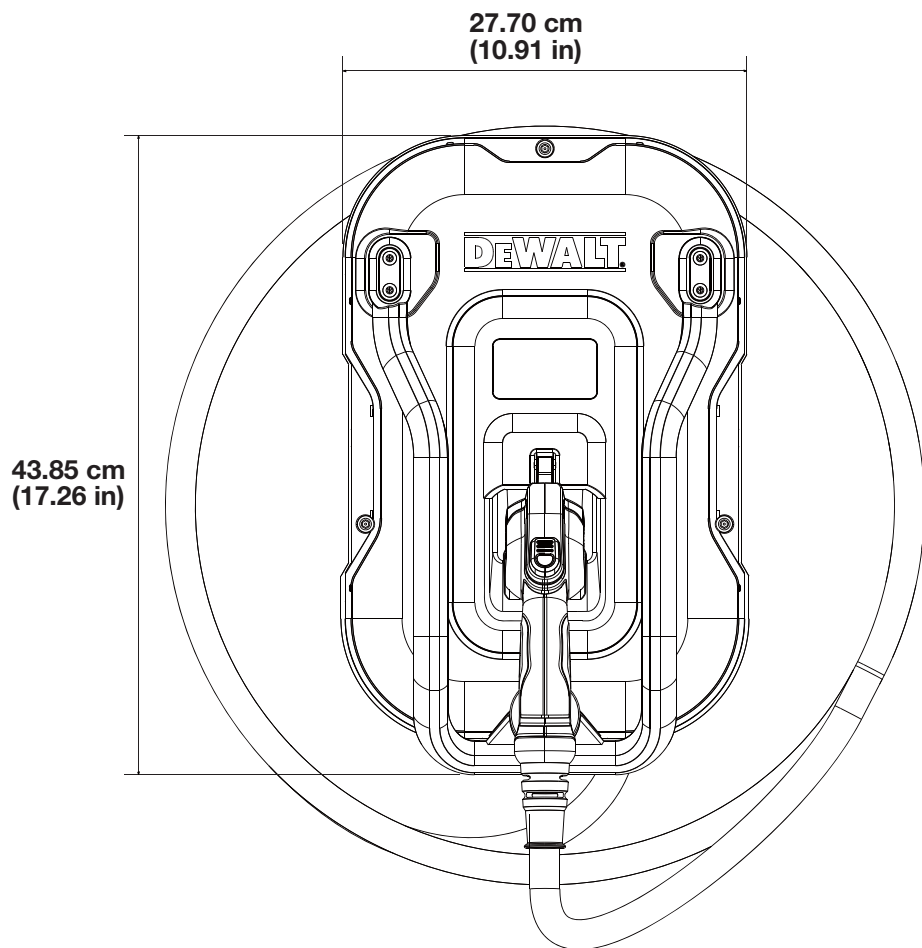
| | |
|----------------------------|---|
| Station Enclosure Rating | Type 4 |
| Safety and Compliance | UL list; complies with UL2594, UL2231-1, UL2231-2 |
| EMC Compliance | FCC Part 15 Class B |
| Storage Temperature | -22 °F to + 122 °F (-30 °C to + 50 °C) |
| Operating Temperature | -22 °F to + 122 °F (-30 °C to + 50 °C) |
| Related Humidity | ≤95% RH, no water droplet condensation |
| Altitude | ≤1.24 miles (≤2000 m) |
| ENERGY STAR® Certification | No |

Indicators

| | |
|------------------------|--|
| WiFi LED | NO wifi LED, but with wifi logo in LCD |
| Fault Indicator per UL | No |
| Status LED | Yes |

Installation

| | |
|----------------------|--|
| install Software | Mobile App (iOS & Android) |
| Outdoor Installation | External GFCI may conflict with internal GFCI (CCID). For hardwired installations, use a non-GFCI circuit breaker. |



IF YOU HAVE ANY QUESTIONS OR COMMENTS ABOUT THIS DEWALT TOOL, CALL US TOLL FREE AT
SI TIENE ALGUNA PREGUNTA O COMENTARIO SOBRE ESTA HERRAMIENTA DEWALT, LLÁMENOS GRATUITAMENTE AL
SI VOUS AVEZ DES QUESTIONS OU DES COMMENTAIRES SUR CET OUTIL DEWALT, APPELEZ-NOUS SANS FRAIS AU

1-855-815-1171

Imported by
Paragon Group USA LLC, 100 West
Forest Avenue, Unit A, Englewood,
NJ 07631, USA
www.DEWALT.com
1-855-815-1171
Made in PRC

Copyright © 2023 Paragon Group USA, LLC.
DEWALT® and the DEWALT Logo are trademarks of
the DEWALT Industrial Tool Co., or an affiliate thereof
and are used under license.
The yellow/black color scheme is a trademark
for DEWALT power tools & accessories.

Importado por
Paragon Group USA LLC, 100 West
Forest Avenue, Unidad A, Englewood,
NJ 07631, EE. UU.
www.DEWALT.com
1-855-815-1171
Hecho en PRC

Copyright © 2023 Paragon Group USA, LLC.
DEWALT® y el logotipo de DEWALT son marcas registradas de
el DEWALT Industrial Tool Co., o un afiliado de la misma
y se usan bajo licencia.
El esquema de color amarillo/negro es una marca registrada
Para herramientas y accesorios de DEWALT Power.

Importé par
Paragon Group USA LLC, 100 West
Forest Avenue, unité A, Englewood,
NJ 07631, États-Unis
www.DEWALT.com
1-855-815-1171
Fabriqué en RPC

Copyright © 2023 Paragon Group USA, LLC.
DEWALT® et le logo DEWALT sont des marques de commerce
de le DEWALT Industrial Tool Co., ou un affilié de celui-ci
et sont utilisés sous licence.
Le jeu de couleurs jaune / noir est une marque
pour les outils et accessoires de DEWALT.