

Project		Catalog #		Type	
Prepared by		Notes		Date	



# Lumark

## NFFLD Night Falcon

Floodlight Luminaire

### Product Certifications & Features



### Interactive Menu

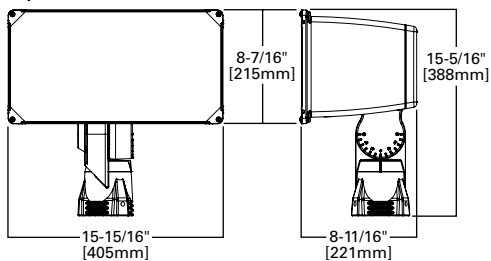
- Ordering Information page 2
- Product Specifications page 2
- Mounting Details page 3
- Energy and Performance Data page 4

### Quick Facts

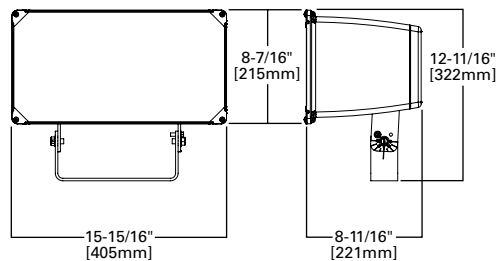
- Up to 156 lumens per watt
- Two optical distributions (wide and spot)
- 4 lumen packages ranging from 11,500 - 26,300 nominal lumens (80 - 180W)
- Replaces 250 - 450W HID

### Dimensional Details

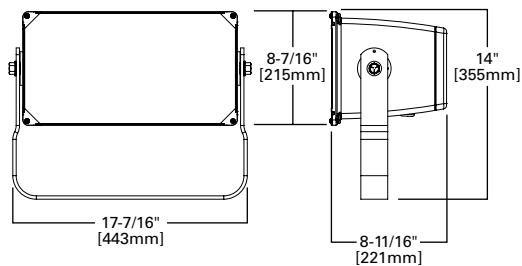
Slipfitter Mount



Trunnion Mount



Yoke Mount



## Ordering Information

Sample Number: NFFLD-C40-E-UNV-66-S-CB-PER

Product Family	Light Engine <sup>2</sup>	Driver <sup>3</sup>	Voltage	Distribution	Mounting	Color
<b>NFFLD</b> =Night Falcon LED Floodlight <b>BAA-NFFLD</b> =Night Falcon LED Floodlight, Buy American Act Compliant <sup>17</sup> <b>TAA-NFFLD</b> =Night Falcon LED Floodlight, Trade Agreements Act Compliant <sup>17</sup> <b>BABA-NFFLD</b> =Night Falcon LED Floodlight, Build America Buy America Act Compliant <sup>19</sup>	<b>C25</b> =10,500 Nominal Lumens <b>C40</b> =16,900 Nominal Lumens <b>C55</b> =20,000 Nominal Lumens <b>C70</b> =24,000 Nominal Lumens	<b>E</b> =Non-Dimming <b>D</b> =Dimming (0-10V)	<b>UNV</b> =120-277V <b>347</b> =347V <sup>4</sup> <b>480</b> =480V <sup>4</sup>	<b>66</b> =NEMA 6H x 6V Wide <b>33</b> =NEMA 3H x 3V Spot <sup>5</sup>	<b>S</b> =Slipfitter <sup>6</sup> <b>T</b> =Trunnion <b>Y</b> =Yoke	<b>CB</b> =Carbon Bronze (Standard) <b>BK</b> =Black <b>BZ</b> =Bronze <b>AP</b> =Grey <b>WH</b> =White <b>WHT</b> =Summit White <b>DP</b> =Dark Platinum <b>GM</b> =Graphite Metallic
Options (Add as Suffix)			Accessories (Order Separately) <sup>12, 18</sup>			
<b>7030</b> =70 CRI / 3000K <sup>7</sup> <b>7050</b> =70 CRI / 5000K <sup>7</sup> <b>7060</b> =70 CRI / 5700K <sup>7</sup> <b>8040</b> =80 CRI / 4000K <sup>7</sup> <b>PER</b> =NEMA 3-PIN Twistlock Photocontrol Receptacle <b>PER7</b> =NEMA 7-PIN Twistlock Photocontrol Receptacle <sup>8</sup> <b>10K</b> =10kV/10kA UL 1449 Surge Protective Device <b>D10</b> =External 0-10V Dimming Leads <sup>8</sup> <b>HA</b> =50°C High Ambient Temperature <sup>9</sup> <b>MSP/DIM-L12</b> =Integrated Occupancy Sensor for Dimming Operation, 8' - 12' Mounting Height <sup>10, 11</sup> <b>MSP/DIM-L30</b> =Integrated Occupancy Sensor for Dimming Operation, 12' - 30' Mounting Height <sup>10, 11</sup> <b>MSP-L12</b> =Integrated Occupancy Sensor for ON/OFF Operation, 8' - 12' Mounting Height <sup>10, 11</sup> <b>MSP-L30</b> =Integrated Occupancy Sensor for ON/OFF Operation, 12' - 30' Mounting Height <sup>10, 11</sup>			<b>FA63</b> =3" O.D. Surface Mount Bracket <sup>13</sup> <b>OA1223</b> =10kV/10kA UL 1449 Surge Protective Device Replacement <b>OA/RA1013</b> =Photocontrol Shorting Cap <b>OA/RA1014</b> =NEMA Photocontrol - 120V <b>OA/RA1016</b> =NEMA Photocontrol - Multi-Tap <b>OA/RA1027</b> =NEMA Photocontrol - 480V <b>OA/RA1201</b> =NEMA Photocontrol - 347V <b>RAB-XX</b> =Right Angle Pipe Bracket for Slipfitter <b>SAB-XX</b> =Steel Angle Bracket for Trunnion <b>TYS-XX</b> =Slipfitter Adapter for 2-3/8", 3" or 3-1/2" O.D. Tenon <sup>14</sup> <b>TS2/NFFLD-XX</b> =Top and Side Visors <sup>15</sup> <b>VS/NFFLD</b> =Vandal Shield <sup>15</sup> <b>WG/NFFLD</b> =Wire Guard <sup>15</sup> <b>ISHH-01</b> =Integrated Sensor Programming Remote <b>WOLC-7P-10A</b> =WaveLinX Outdoor Control Module (7-pin) <sup>16</sup>			

NOTES:

- DesignLights Consortium® Qualified. Refer to [www.designlights.org](http://www.designlights.org) Qualified Products List under Family Models for details.
- Standard 4000K CCT and minimum 70 CRI. Consult IES file for actual lumen output.
- Consult factory for driver surge protection values.
- Not recommended for use with ungrounded, delta configured systems.
- Only available in C25 and C40 light engines.
- Fits 2-3/8" to 3" O.D. tenon, wire leads run through slipfitter.
- Extended lead times apply. Use dedicated IES files for 3000K and 5700K when performing layouts. These files are published on the Night Falcon luminaire product page on the website.
- Must order with dimming driver.
- Not available with 3H x 3V spot distribution.
- 0-10V dimming driver required. Integrated sensor option only available in slipfitter mounting.
- Not available with Photocontrol.
- Replace XX with color designation. Additional brackets and adaptors available on the poles product page on the website.
- Not available with tenon mount.
- Not available with slipfitter mount.
- Cannot combine TS2 (Top and Side Visor), VS (Vandal Shield), or WG (Wire Guard), limited to one external guard per fixture.
- Requires 7-pin NEMA twistlock photocontrol receptacle. The WOLC-7 cannot be used in conjunction with additional sensors or controls.
- Only product configurations with these designated prefixes are built to be compliant with the Buy American Act of 1933 (BAA) or Trade Agreements Act of 1979 (TAA), respectively. Please refer to [DOMESTIC PREFERENCES](#) website for more information. Components shipped separately may be separately analyzed under domestic preference requirements.
- Accessories sold separately will be separately analyzed under domestic preference requirements. Consult factory for further information.
- Only product configurations with these prefixes are built to be compliant with the Buy American Act of 1933 (BAA) or the Build America Buy America Act (BABA). BABA is the minimum Government compliance requirement for the Build America Buy America standards which is part of the Infrastructure and Investment Jobs Act (IIJA). Individual Government Agencies may have more stringent compliance standards. Please refer to the [DOMESTIC PREFERENCES](#) website or consult the CLS Domestic Preferences team for more information. Components shipped separately may be separately analyzed under domestic preference requirements.

## Stock Ordering Information

Stock Sample Number: NFFLD-C40-S

Series	Light Engine	Mounting	Voltage
NFFLD=Night Falcon	<b>C25</b> =10,500 Nominal Lumens <b>C40</b> =16,900 Nominal Lumens	<b>S</b> =Slipfitter <b>T</b> =Trunnion	<b>[BLANK]</b> =120-277V <b>347</b> =347V

NOTES: Options not available with stock products. Order accessories as separate items for field installation. Refer to standard ordering information to add options. Refer to In-Stock Guide for availability. Stock fixture is 4000K, 0-10V dimming driver, 120-277V or 347V 6Hx6V, carbon bronze only.

## Product Specifications

### Construction

- Heavy-duty, die-cast aluminum housing, driver compartment, and driver housing door
- Driver compartment and optical chamber are IP66 rated
- Driver maintenance access via removable door using pan head screws
- One-piece silicone gasket seals the door to the fixture housing

### Optics

- Vacuum-metalized reflector for high-efficiency illumination
- NEMA type 6H x 6V and 3H x 3V distributions available
- Clear, tempered glass lens with full circumference form-in-place silicone gasket protects optics from damage

### Electrical

- LED driver is mounted to removable die-cast aluminum door
- Integral 6kV surge is standard
- Ambient operating temperatures from -40°C to 40°C
- Greater than 90% lumen maintenance expected at 60,000 hours per IESNA TM-21
- 0-10V dimming driver available
- > 0.9 Power Factor; < 20% Total Harmonic Distortion

### Mounting

- Suitable for mounting within 4' (1.2m) of the ground
- Heavy-gauge steel trunnion and yoke mounts are supplied with 3ft of pre-wired 16/3 SOW wet location rated cord
- Die-cast aluminum slipfitter with a tooth-lock adjustment that can be adjusted in 5° increments. Preset to 45° tilt. Visual 15° adjustment indicators on the knuckle allow for 180° field rotation of the flood assembly. Slipfitter mounts to 2" pipe or 2-3/8" O.D. tenons
- Effective Projected Area: 1.25 sq. ft.

### Compliance

- DLC and DLC Premium listed – visit [designlights.org](http://designlights.org) to confirm listed variations
- BAA domestic preference option meets BAA requirements. See [DOMESTIC PREFERENCES](#) website or consult the CLS Domestic Preferences team for more information
- FHWA and FTA agencies are utilizing their BAA rules for BABA compliance. Cooper's products with a BAA designation are manufactured in the US and utilize a BAA COTS exemption rule for compliance. To verify a configured product with specific accessories and options meet BABA Domestic Preference Requirements; submit this catalog number to Cooper Lighting Quotation team for validation by our Engineering and Manufacturing teams. Please refer to the [DOMESTIC PREFERENCES](#) website or consult the CLS Domestic Preferences team for more information. Components shipped separately may be separately analyzed under domestic preference requirements

### Finish

- Housing and cast parts finished in five-stage super TGIC polyester powder coat paint, 2.5 mil nominal thickness for superior protection against fade and wear

### Shipping Data

- Approximate net weight: 20 lbs. (9.09 kgs.)

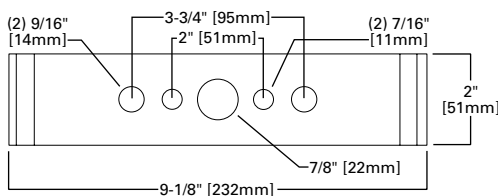
### Warranty

- Five-year limited warranty. Consult website for details. [www.cooperlighting.com/legal](http://www.cooperlighting.com/legal)

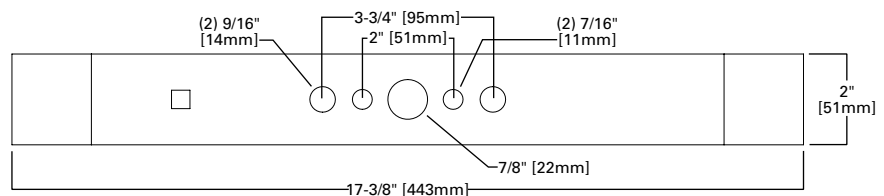
## Mounting Details

### Drilling Patterns

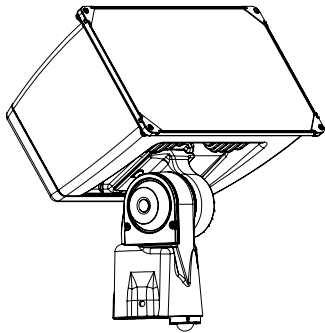
#### Trunnion Mount



#### Yoke Mount

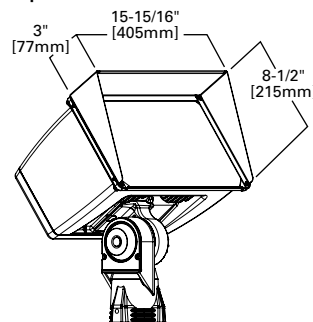


### Optional Integrated Sensor

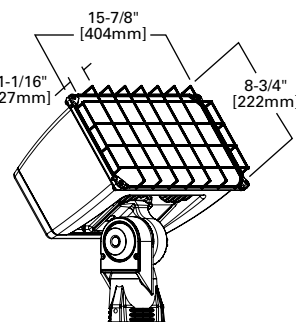


### Accessories

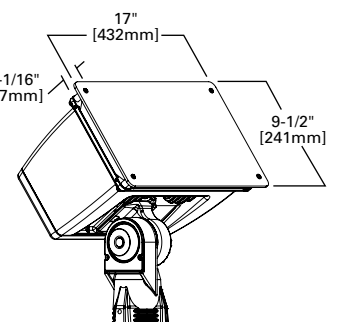
#### Top and Side Visors



#### Wire Guard



#### Vandal Shield



## Energy and Performance Data

### Power and Lumens

	6x6				3x3			
	NFFLD-C25	NFFLD-C25-7030	NFFLD-C25-7050	NFFLD-C25-7060	NFFLD-C25	NFFLD-C25-7030	NFFLD-C25-7050	NFFLD-C25-7060
<b>C25 LED</b>								
Delivered Lumens	10,530	10,122	10,383	10,217	10,272	9,874	10,128	9,967
CCT (Kelvin)	4000K	3000K	5000K	5700K	4000K	3000K	5000K	5700K
CRI (Color Rendering Index)	70	70	70	70	70	70	70	70
Power Consumption (Watts)	85W	85W	85W	85W	93W	93W	93W	93W
<b>C40 LED</b>								
Delivered Lumens	16,932	16,268	16,686	16,421	14,113	13,567	13,916	13,694
CCT (Kelvin)	4000K	3000K	5000K	5700K	4000K	3000K	5000K	5700K
CRI (Color Rendering Index)	70	70	70	70	70	70	70	70
Power Consumption (Watts)	128W	128W	128W	128W	143W	143W	143W	143W
<b>C55 LED</b>								
Delivered Lumens	19,943	19,407	20,144	20,285				
CCT (Kelvin)	4000K	3000K	5000K	5700K				
CRI (Color Rendering Index)	70	70	70	70				
Power Consumption (Watts)	145W	145W	145W	145W				
<b>C70 LED</b>								
Delivered Lumens	23,797	23,157	24,037	24,205				
CCT (Kelvin)	4000K	3000K	5000K	5700K				
CRI (Color Rendering Index)	70	70	70	70				
Power Consumption (Watts)	184W	184W	184W	184W				

### Current Draw

Voltage (V)	Model Series					
	6x6				3x3	
	NFFLD-C25	NFFLD-C40	NFFLD-C55	NFFLD-C70	NFFLD-C25	NFFLD-C40
	Current (A)	Current (A)	Current (A)	Current (A)	Current (A)	Current (A)
120V	0.708	1.070	1.2299	1.5695	0.778	1.190
277V	0.340	0.465	0.535	0.6726	0.340	0.531
347V	0.251	0.377	0.4213	0.5334	0.271	0.419
480V	0.195	0.273	0.3044	0.3831	0.207	0.320

### Lumen Maintenance

Ambient Temperature	TM-21 Lumen Maintenance (60,000 Hours)	Theoretical L70 (Hours)
<b>6H x 6V (Wide)</b>		
25°C	> 94.55%	> 388,000
40°C	> 93.58%	> 327,000
50°C	--	--
<b>3H x 3V (Spot)</b>		
25°C	>92.18%	>262,000
40°C	>91.81%	>249,000

### Lumen Multiplier

Ambient Temperature	Lumen Multiplier
10°C	1.03
15°C	1.02
25°C	1.00
40°C	0.97
50°C	0.96