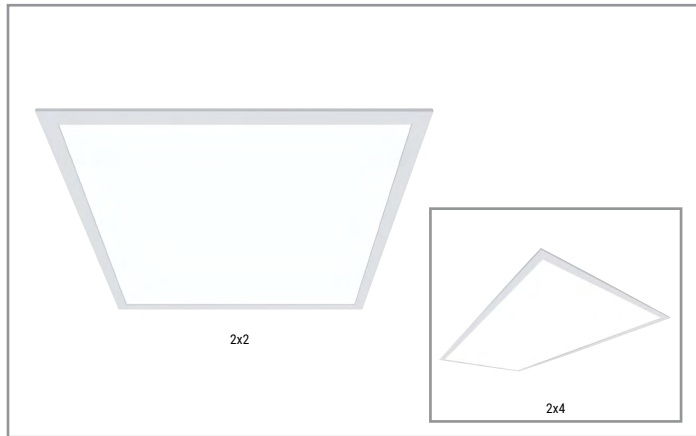


Project		Catalog #		Type	
Prepared by		Notes		Date	



Metalux

CGTS Selectable Lumens and CCT

2x2, 2x4 LED Backlit Panel

Typical Applications

Offices • Education • Healthcare • Retail

Product Certification



Product Features



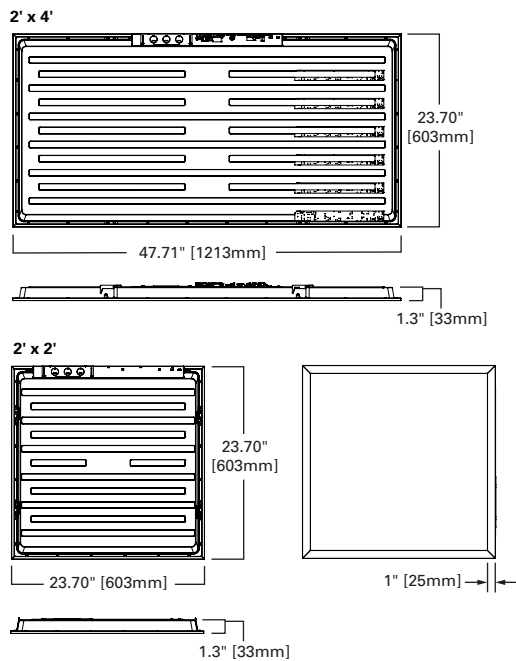
Interactive Menu

- Order Information page 2
- Performance page 2
- Product Warranty

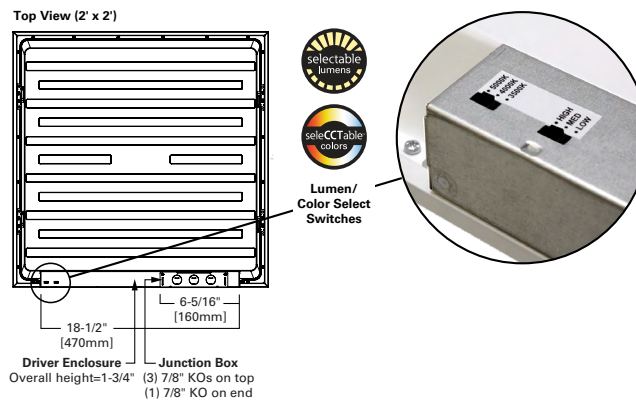
Top Product Features

- Three color temperature and three lumen package choices for use in a variety of applications
- Selectable switches are located on top of the junction box, for quick adjustment before and after installation
- Acrylic micro-optics provide uniform illumination across the entire lens
- Integrated metal frame provides a clean white decorative aesthetic
- Minimum fixture height ideal for shallow plenum.

Dimensions



Driver Enclosure / Junction Box



Ordering Information/Performance

Default CCT/Lumen Setting: 4000K / Med Power

Size	Catalog	UPC	Lumen Setting	CCT	CRI (Min)	Delivered Nominal Lumens	Watts	Efficacy (lm/W)
2x2	22CGTS-L3C3R	080083264728	Low	3500K	80	2400	20	120
				4000K	80	2600	19	137
				5000K	80	2500	20	125
			Medium	3500K	80	3400	30	113
				4000K	80	3600	29	125
				5000K	80	3500	30	116
			High	3500K	80	3900	35	111
				4000K	80	4100	34	120
				5000K	80	4000	35	114
2x4	24CGTS-L3C3R	080083264704	Low	3500K	80	3350	29	115
				4000K	80	3650	28	130
				5000K	80	3500	29	120
			Medium	3500K	80	4850	41	118
				4000K	80	5150	40	128
				5000K	80	5000	41	121
			High	3500K	80	6000	52	115
				4000K	80	6400	51	125
				5000K	80	6200	52	119

Shipping Data

	2x2	2x4
Weight (lb.)	5.3	10.6
Pallet Qty	42	21

Product Specifications

Construction

- Die-formed steel back plate is post-painted to ensure durability
- Housing is constructed with no entry points to limit debris/bug intrusion
- Stamped white metal frame with flanges that fold and seal lens

Mounting

- Integral grid clips secure fixture to the ceiling structure
- Junction box constructed of code gauge galvanized steel with access plate
- Multiple 7/8" KO's provided, suitable for up to 12AWG wiring
- Surface and suspension kits are available for use in grid or on hard surfaces

Controls

- Standard UNV 120 - 277V driver with 0-10V dimming, 10% standard
- Selectable driver for three color temperature choices and three lumen package choices

Electrical

- CGTS projected lumen maintenance based on TM21 testing standards is >L82@60,000 hours
- Driver rated for FCC part 15 Class B for use in residential or commercial applications
- LEDs are 80 CRI (minimum) and switch to 3500K, 4000K, or 5000K.
- Default CCT/Lumen setting is 4000K and medium power

Optical Shielding

- Acrylic micro-optics enable uniform distribution of LEDs for uniform lens illumination
- Smooth, frosted lens delivers uniform illumination across the entire lens
- Durable lens with surface texture to minimize scratch and impact damage

Certifications

- cULus listed for 25C ambient environments, indoor applications
- IC rated for direct insulation contact
- UL damp location listed
- IESNA LM-79 and LM-80 standards compliant
- Qualifies as State of California Title 24 high efficiency luminaire
- FCC part 15 class B (residential) compliant
- DesignLights Consortium® Qualified and classified for DLC standard. Refer to the DLC Qualified Products list at www.designlights.org/QPL to confirm which versions are qualified

Warranty

- [Five year limited warranty](#)